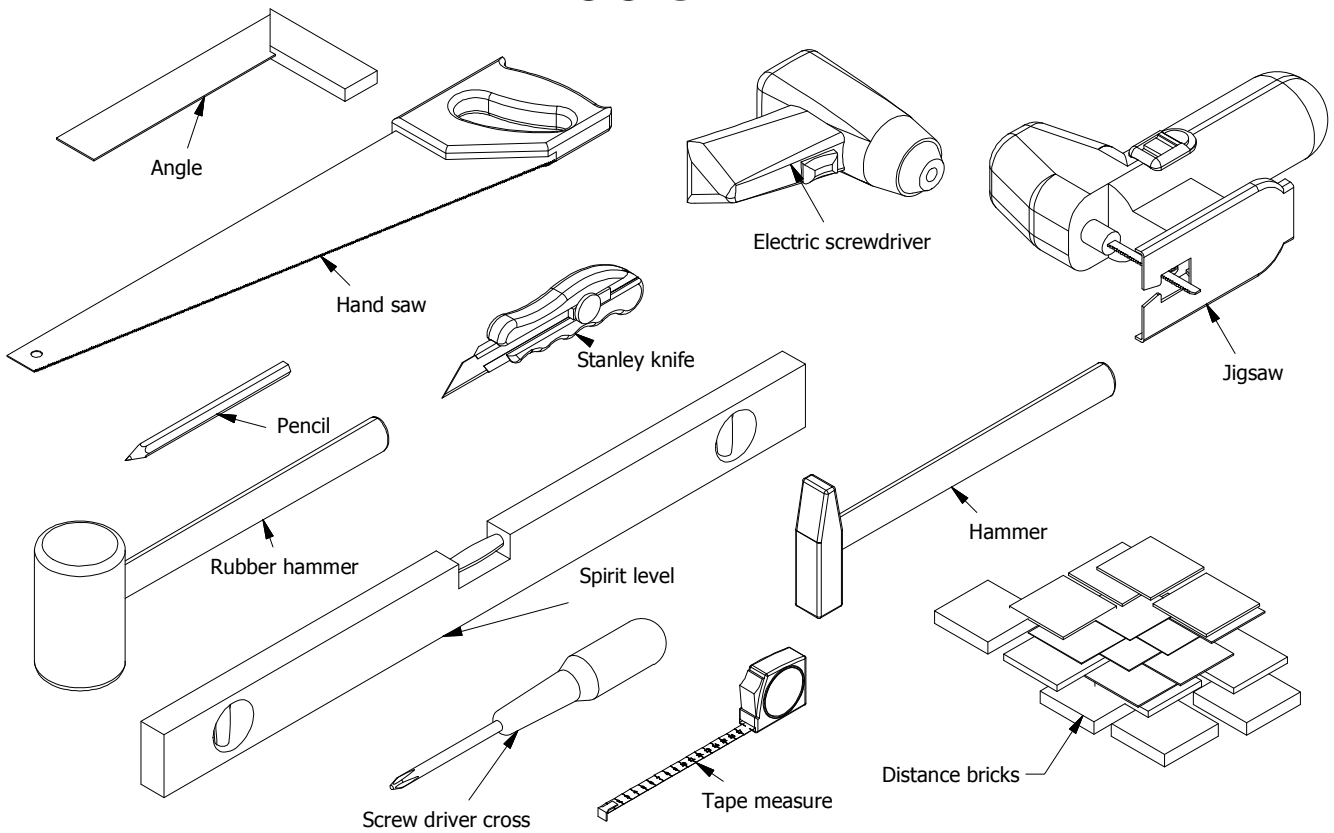
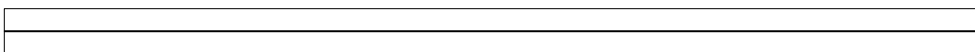
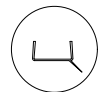


Tools



Plinth profile clear plastic



T12124
Plinth front

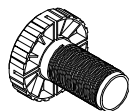
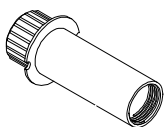
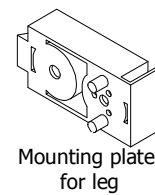
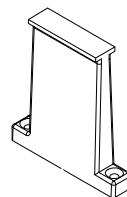
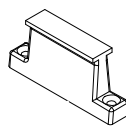
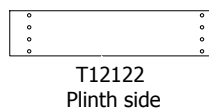
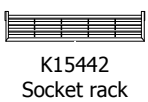


FIG.
1

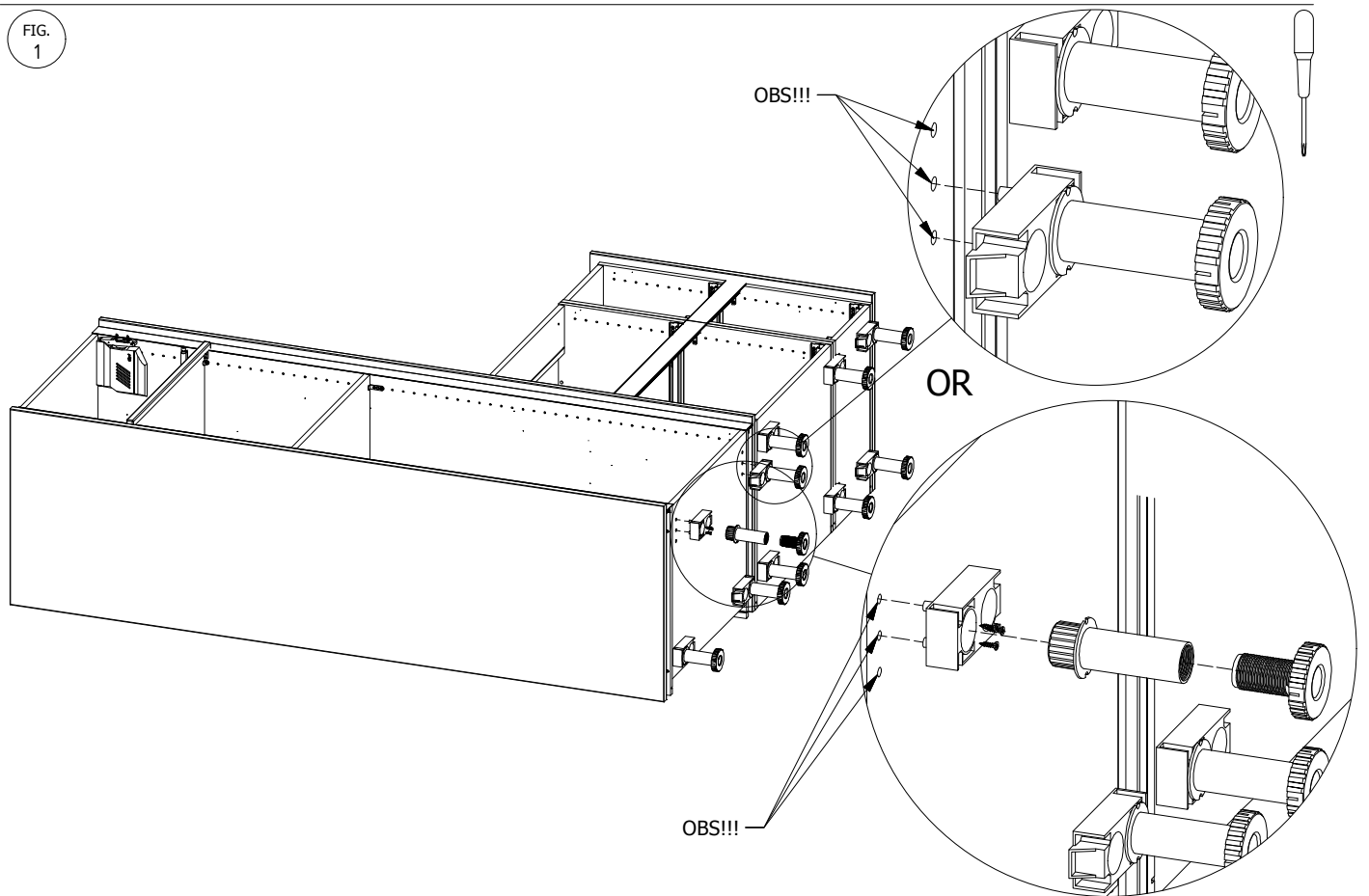


FIG.
2

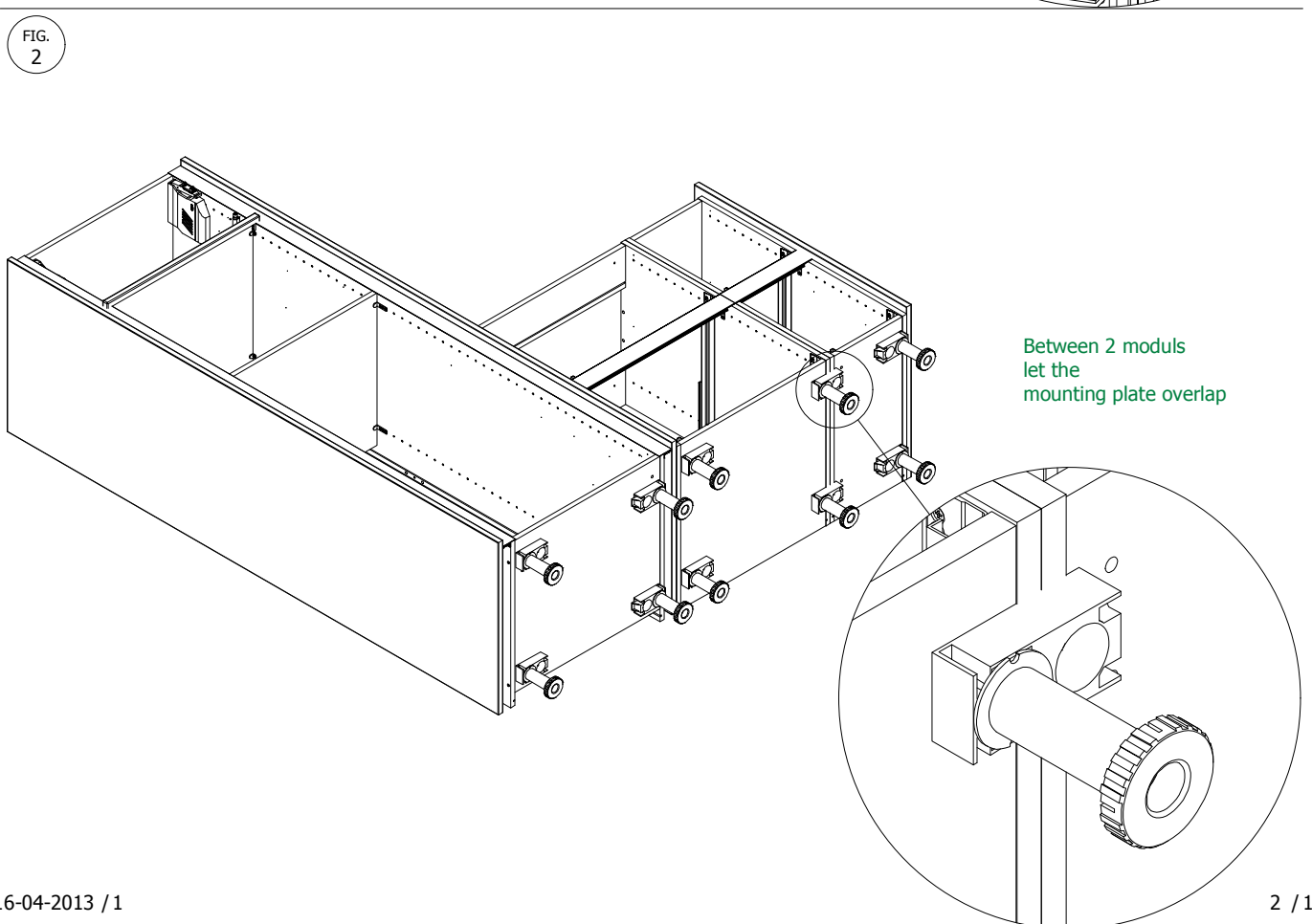


FIG. 3

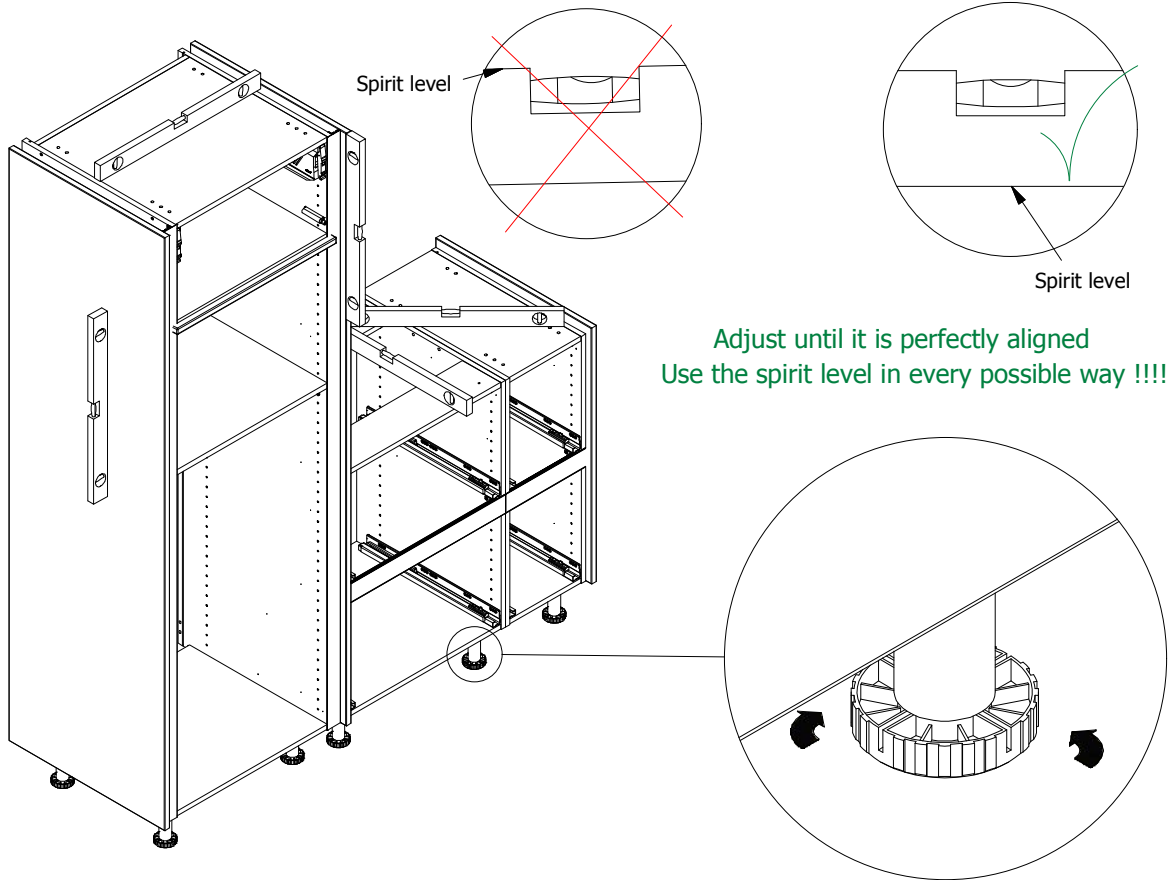


FIG. 4

Measure from bottom (Module) to the floor in both ends of the plinth

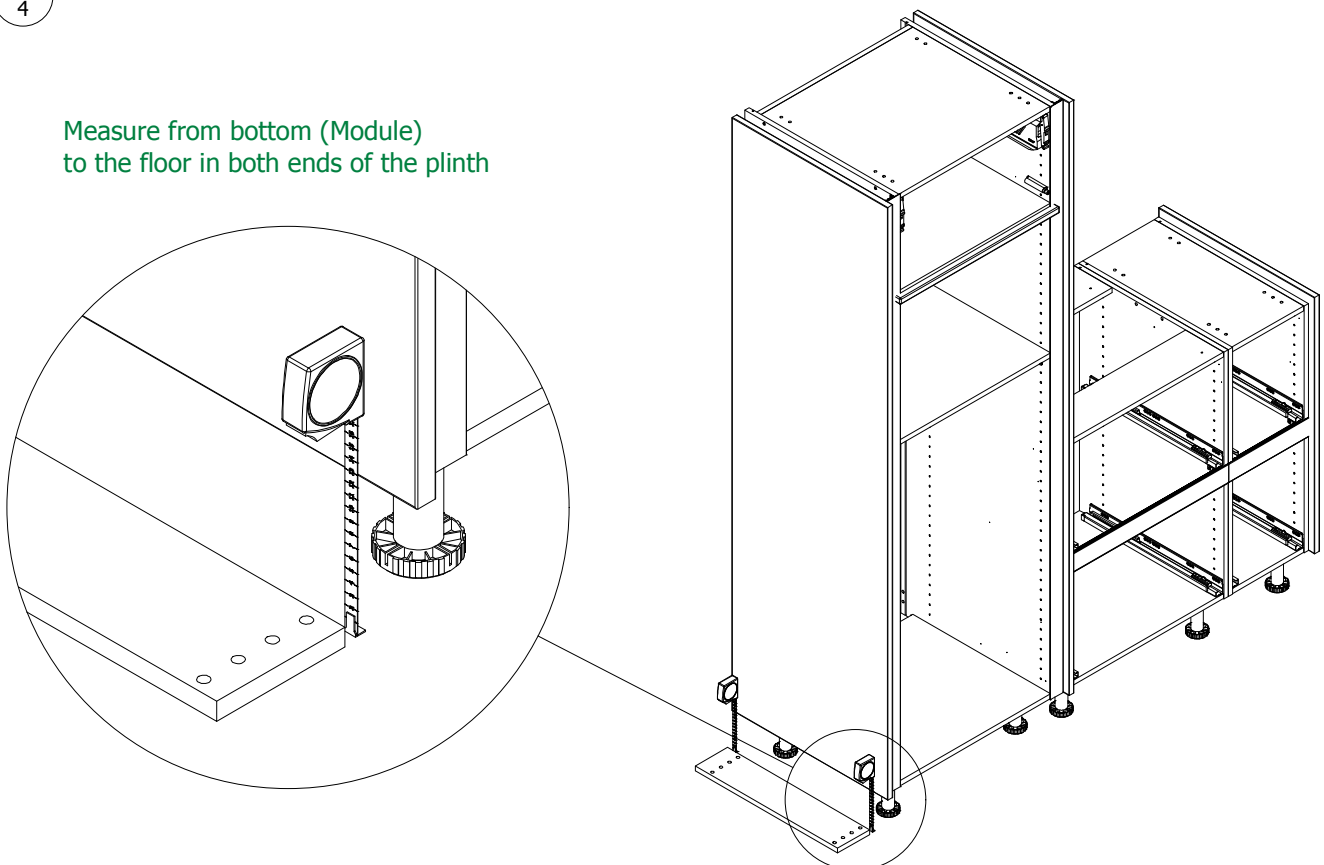
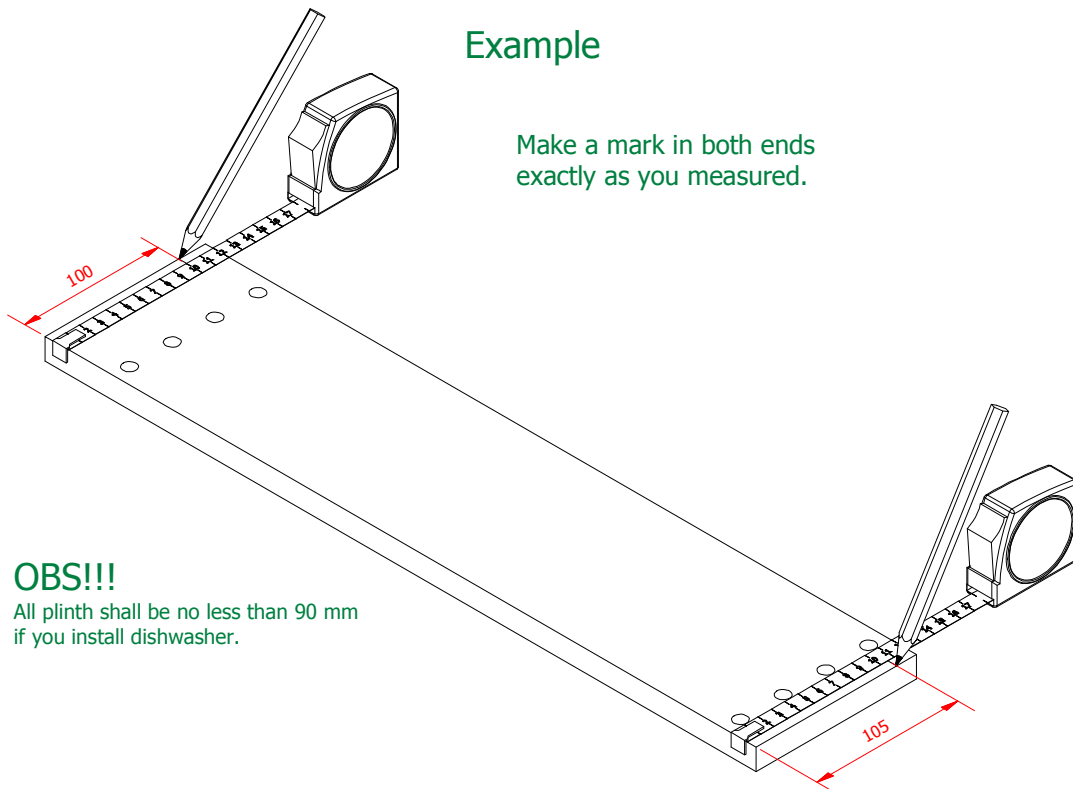


FIG. 5

Example

Make a mark in both ends exactly as you measured.



OBS!!!

All plinth shall be no less than 90 mm if you install dishwasher.

FIG. 6

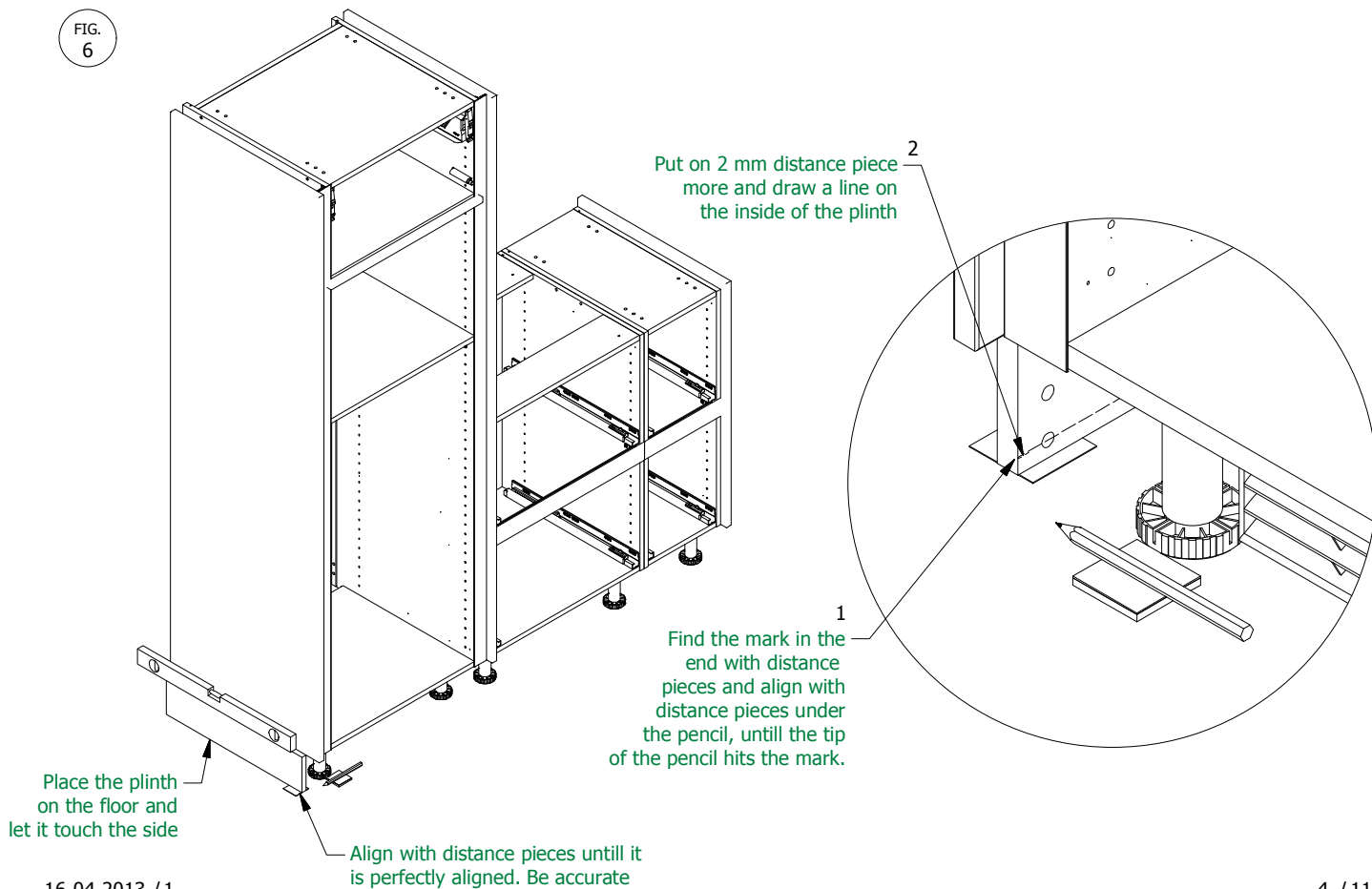


FIG.
7

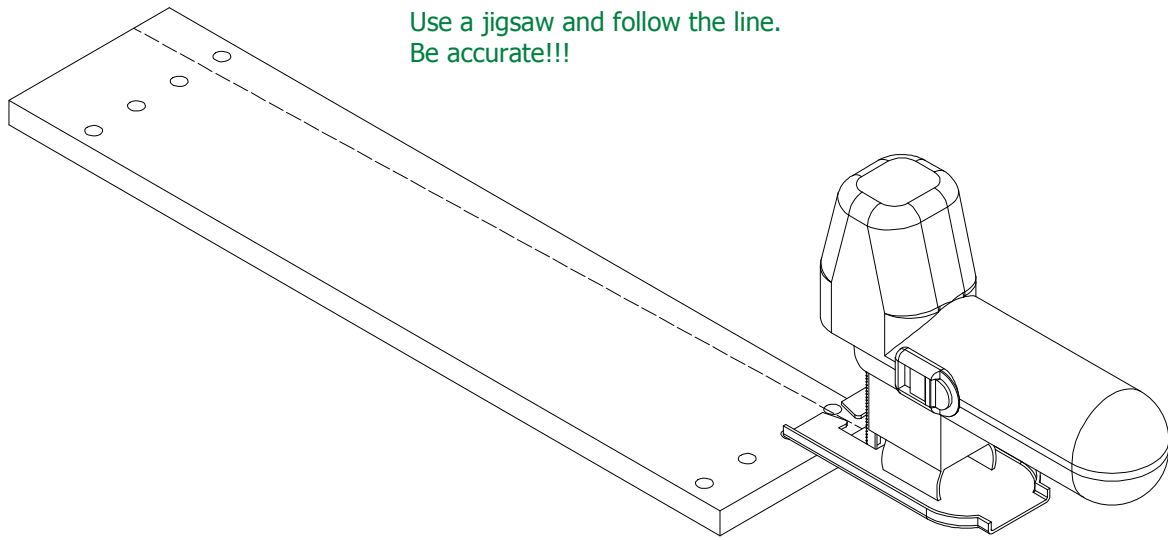


FIG.
8

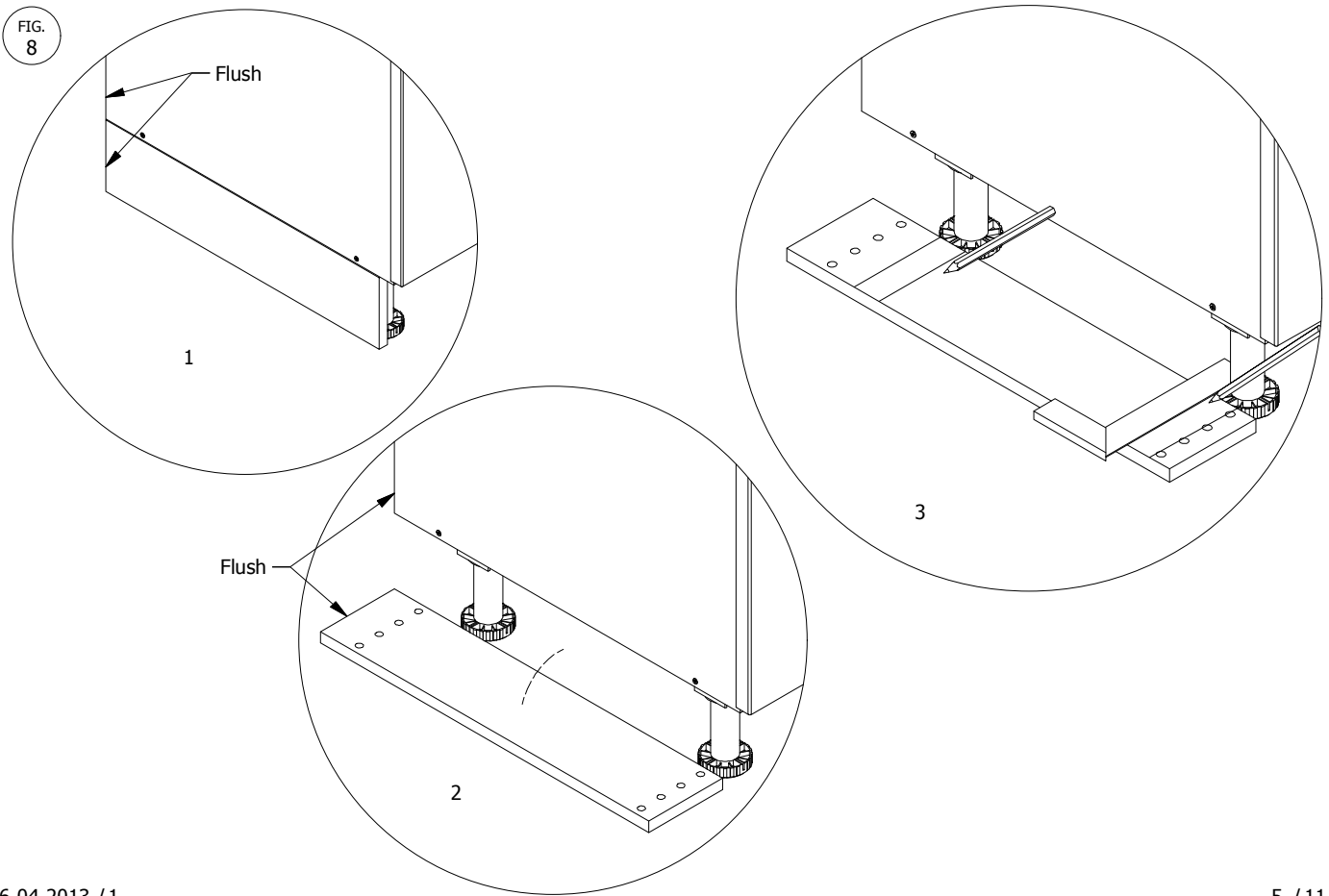


FIG. 9

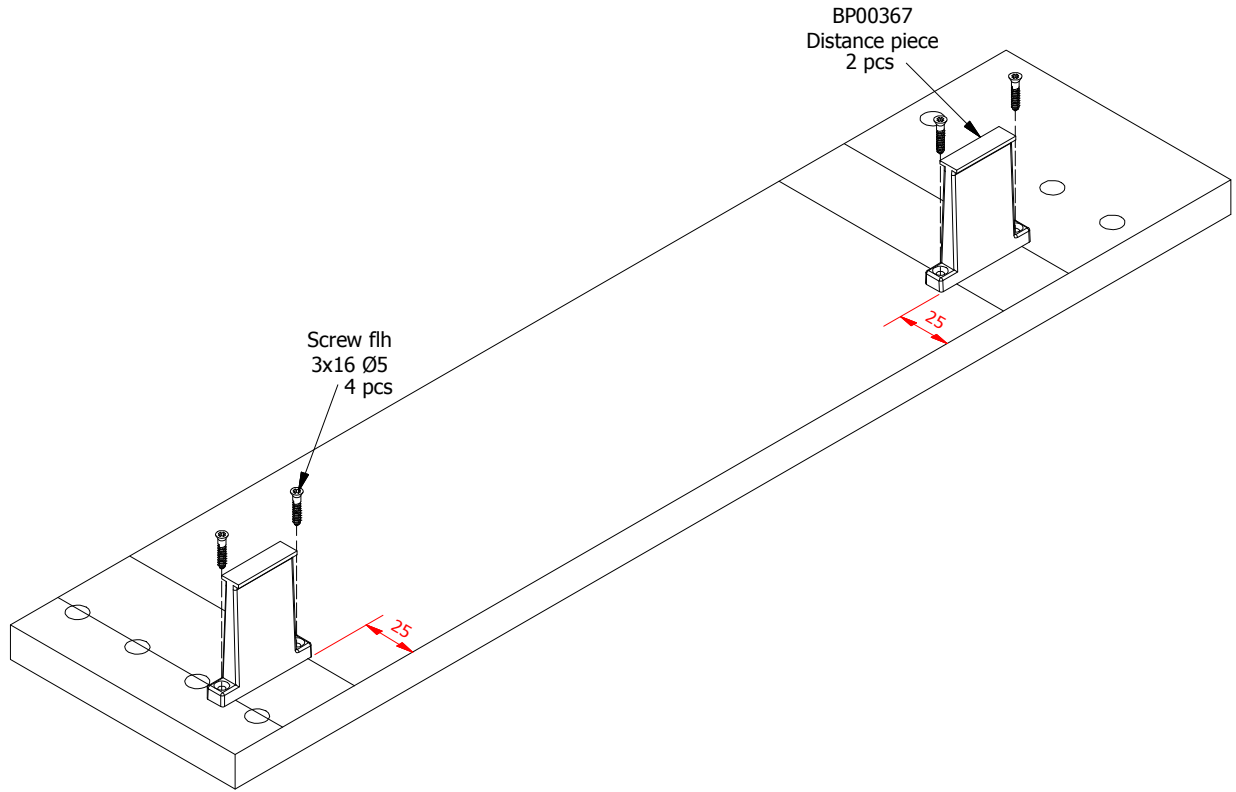


FIG. 10

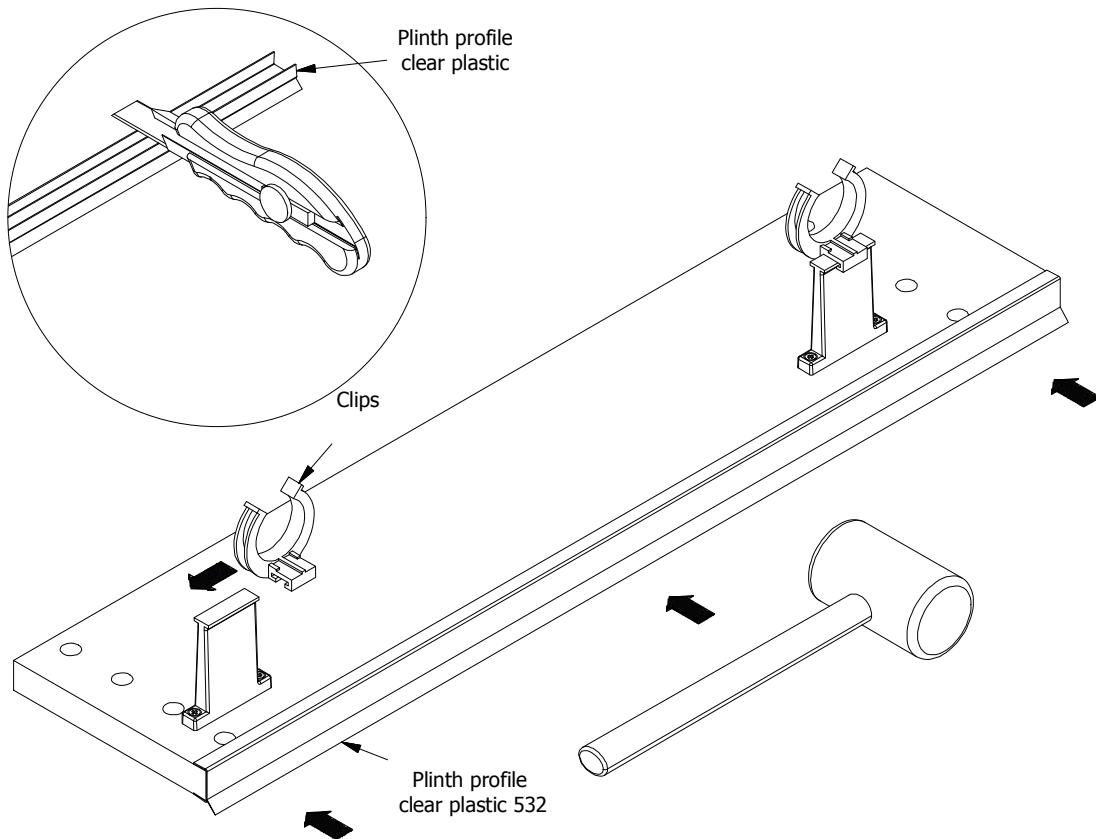


FIG.
11

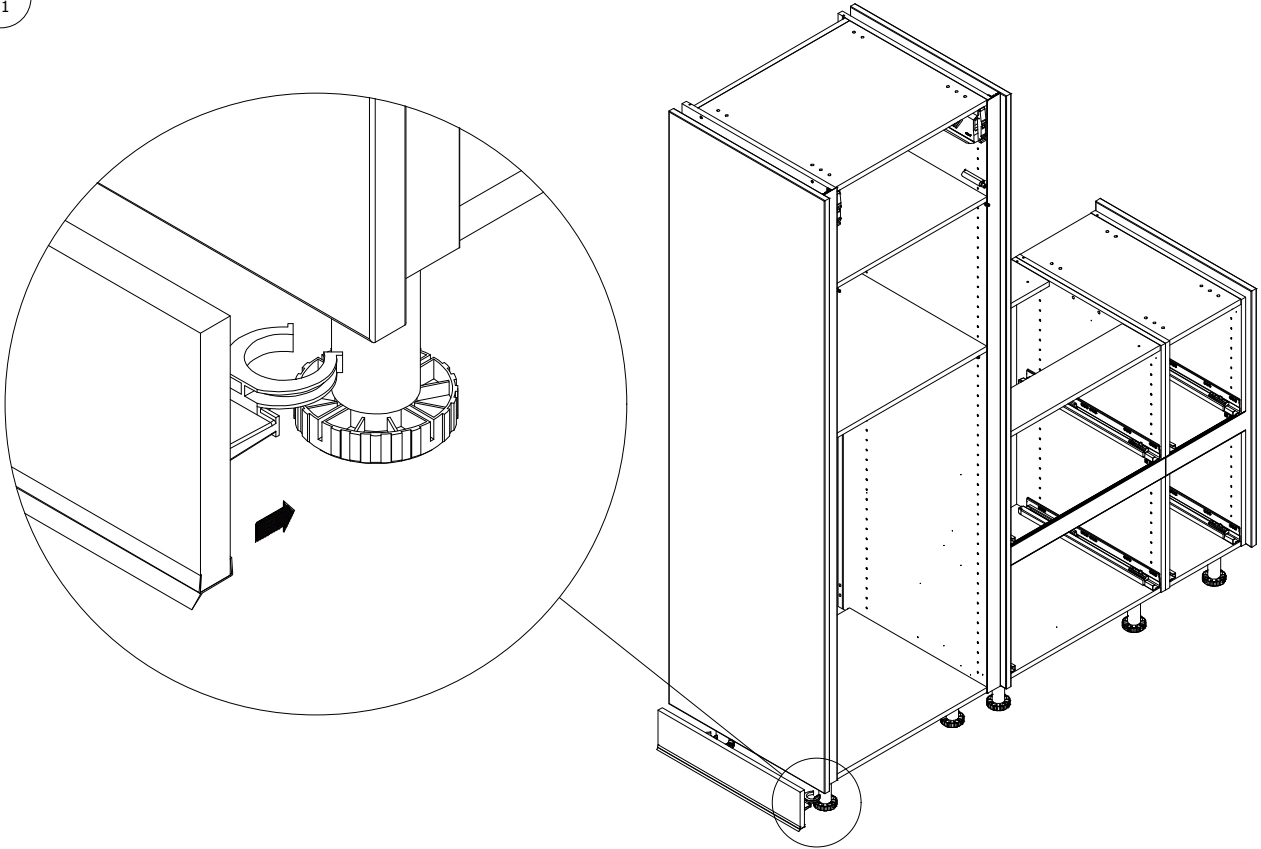
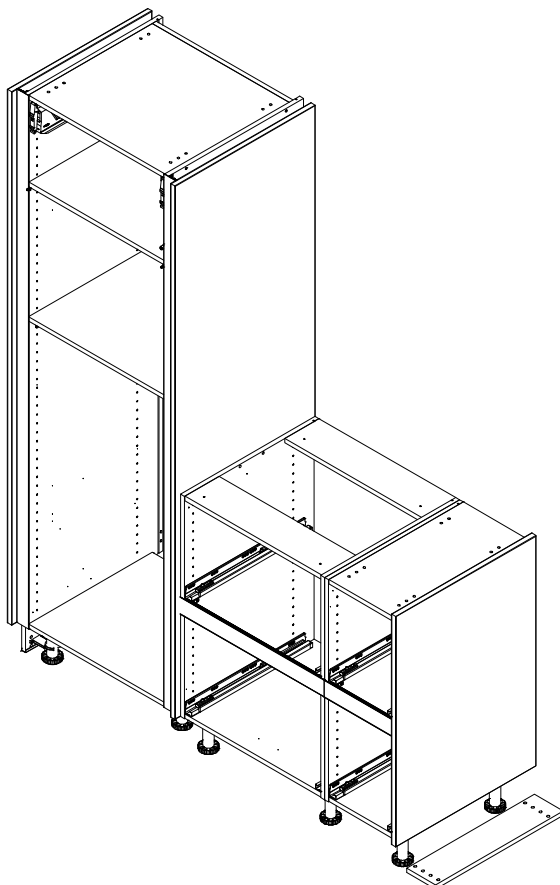


FIG.
12



Place the next end plinth on the floor against the front, do the same as Fig 4-5-6-7-8

FIG.
13

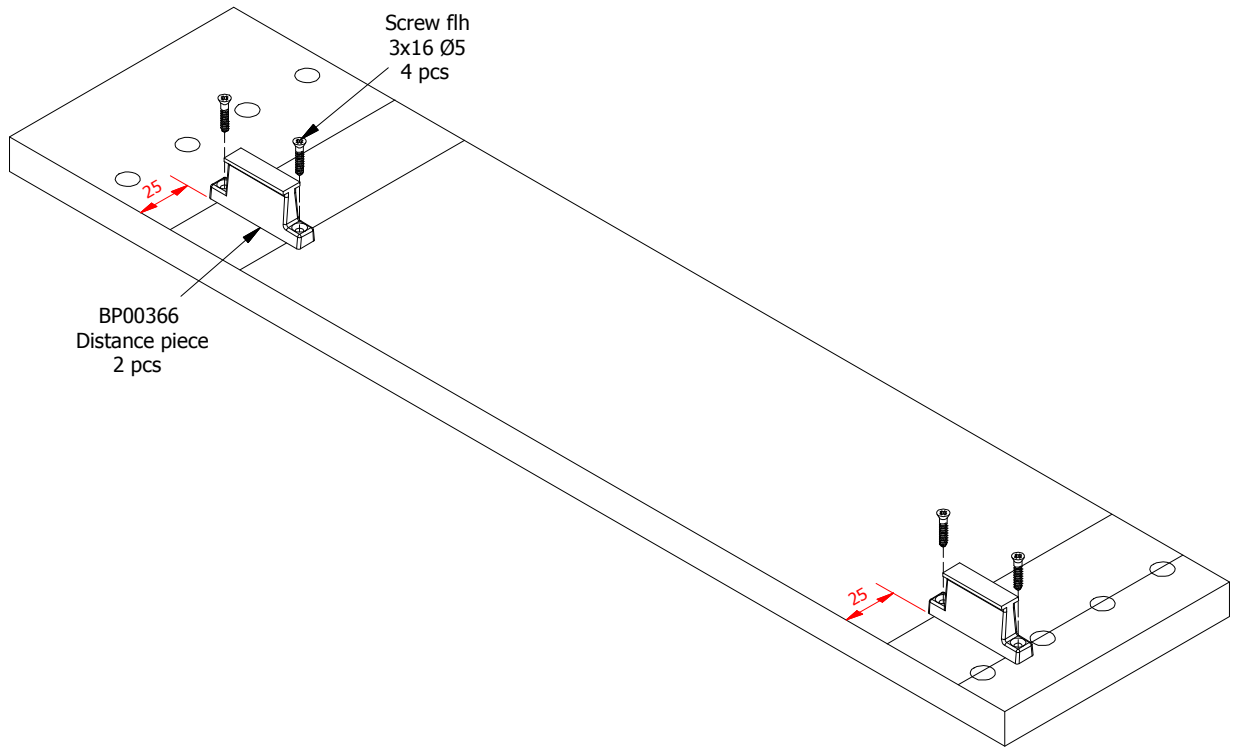


Fig
14

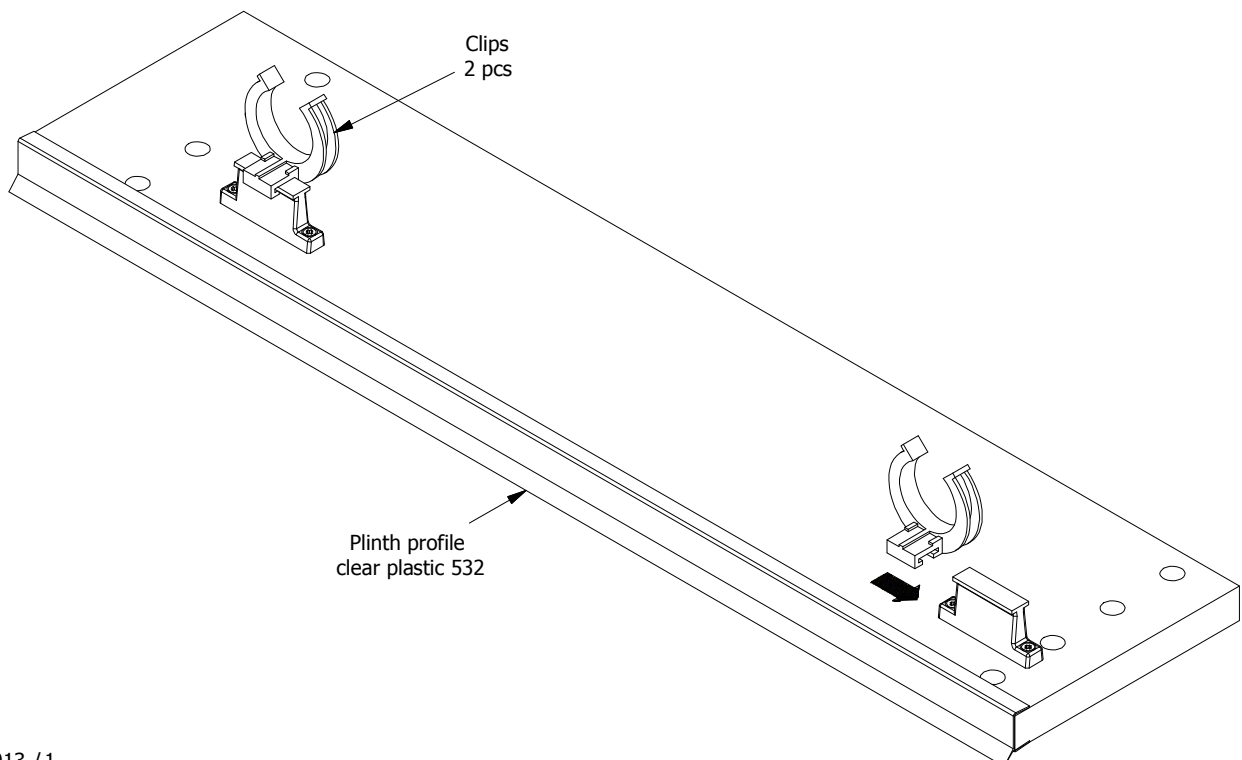


Fig
15

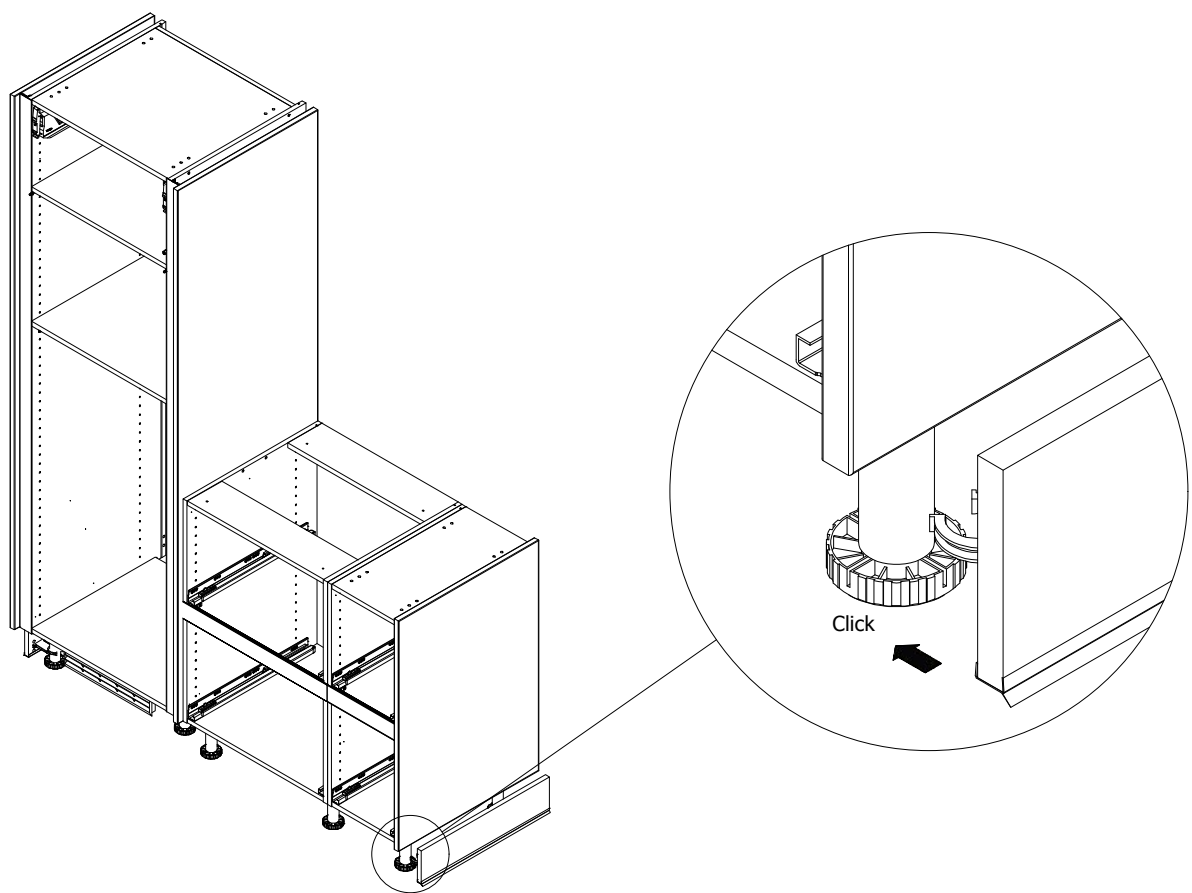
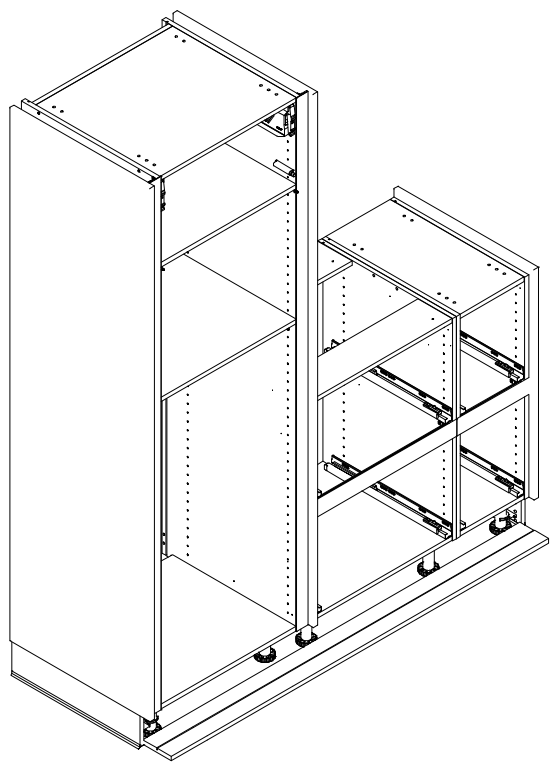


Fig
16



Place the next end plinth on the floor against the front, do the same as Fig 4-5-6-7-8

Fig
17

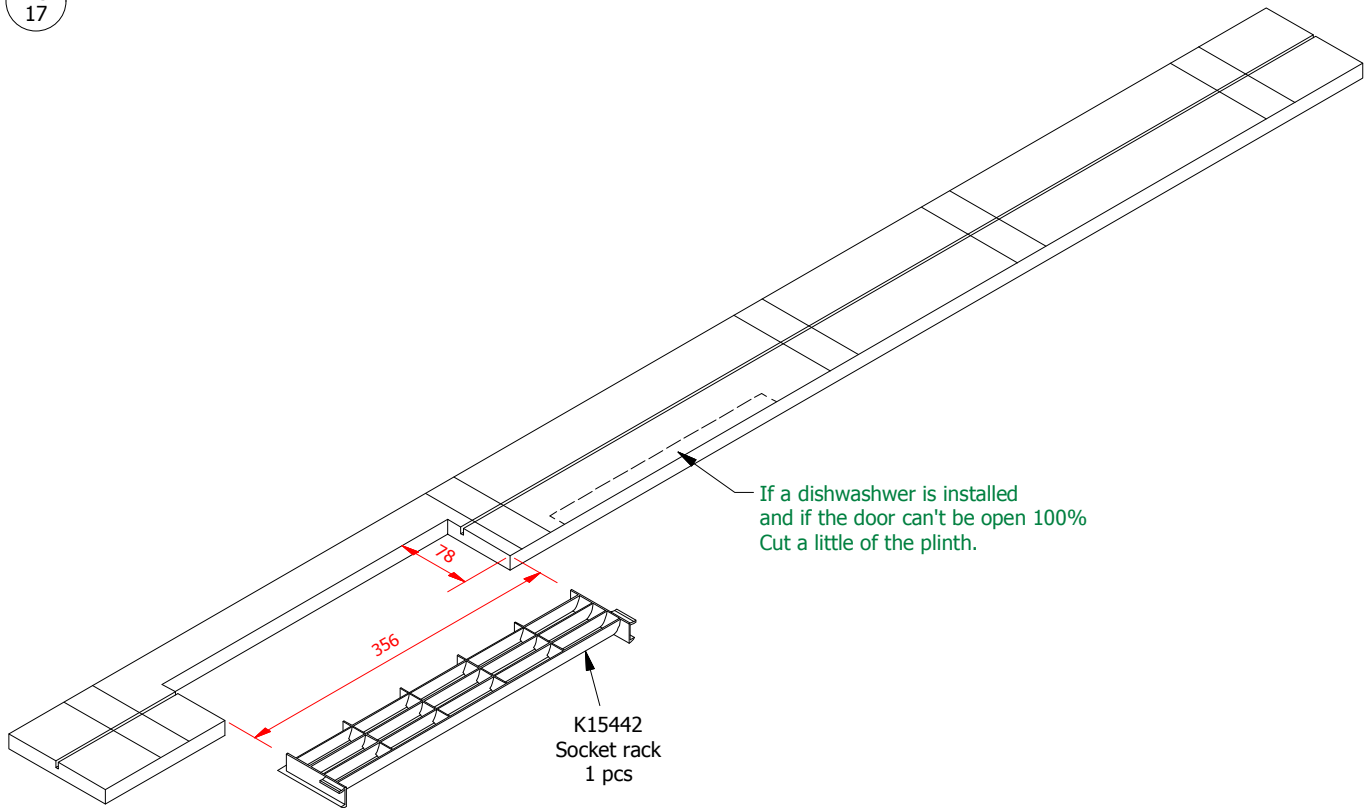


Fig
18

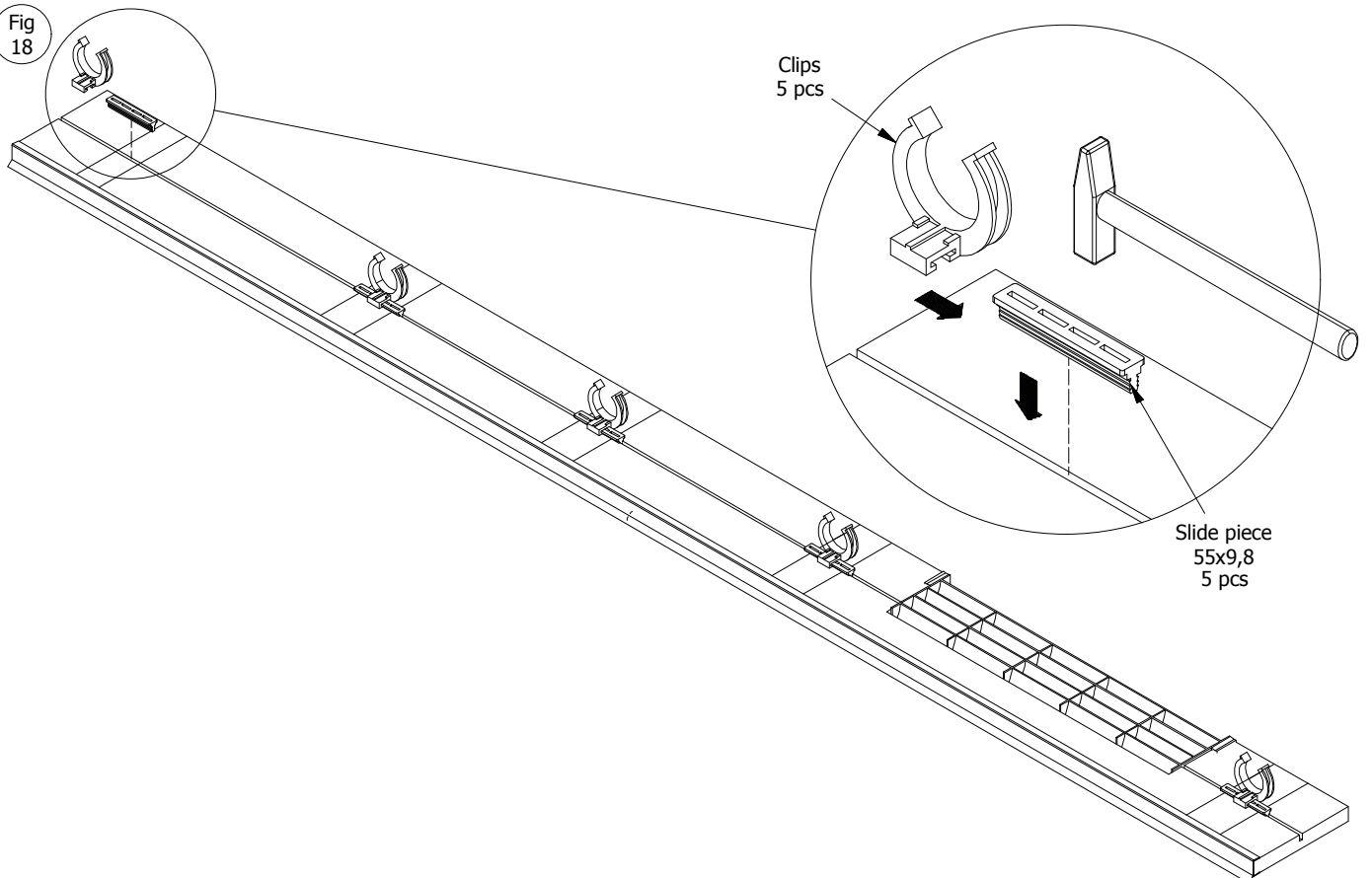


Fig
19

