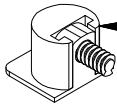
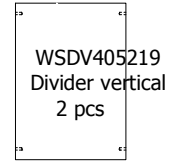
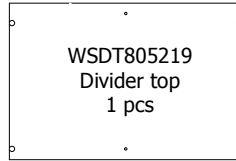
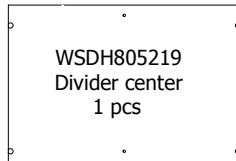
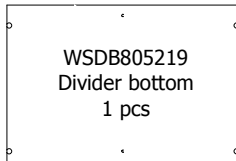
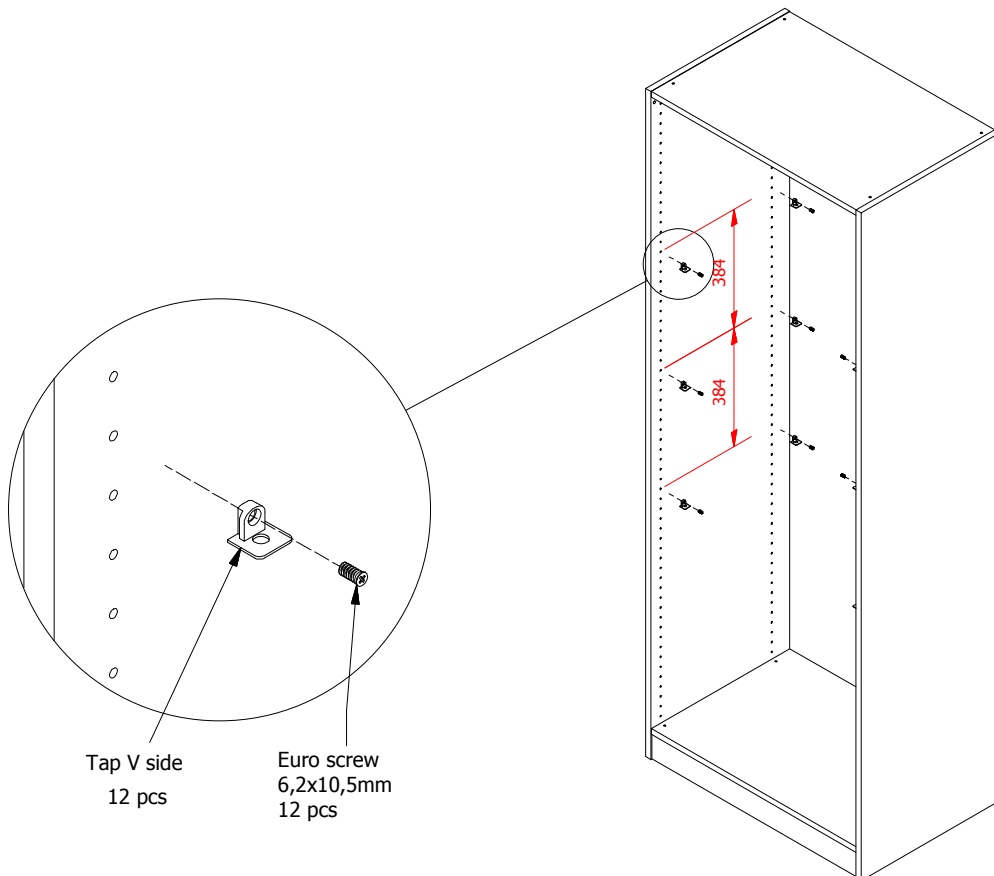


# Divider Mounting instruction



Tap V  
Euro screw 6,2x10,5 mm  
12 pcs

FIG.  
1



# Divider Mounting instruction

FIG. 2

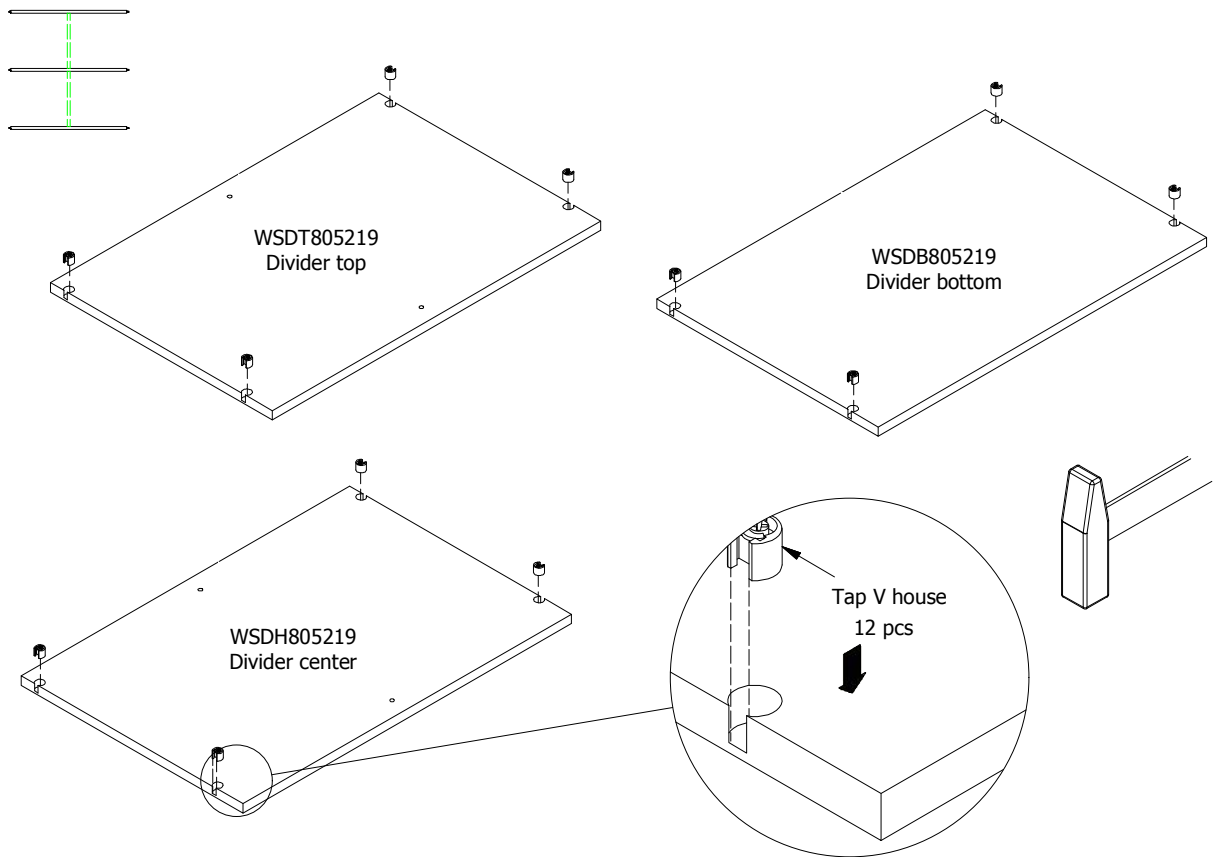
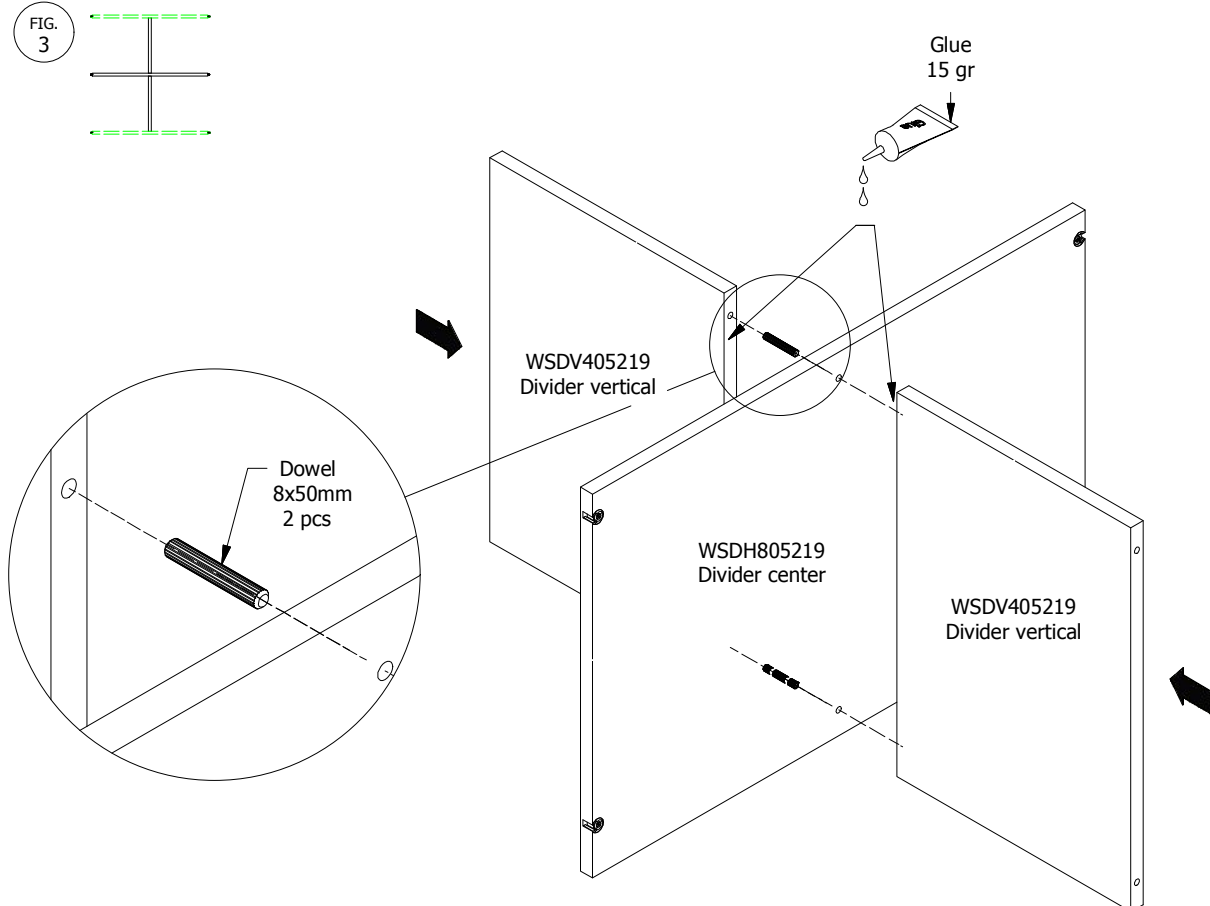
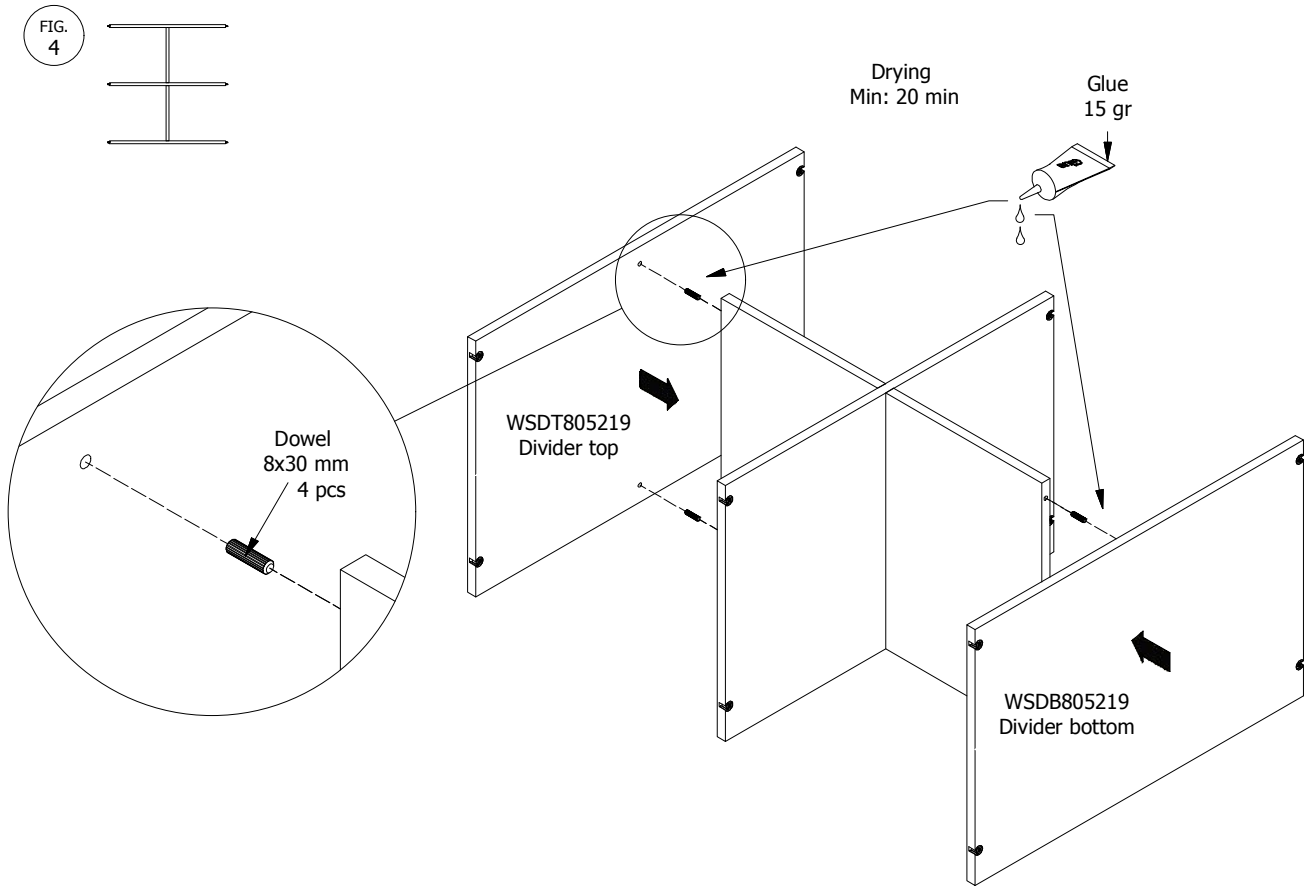


FIG. 3



# Divider Mounting instruction



**FIG. 5**

