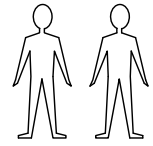


PRATO, dishwasher installation guide.

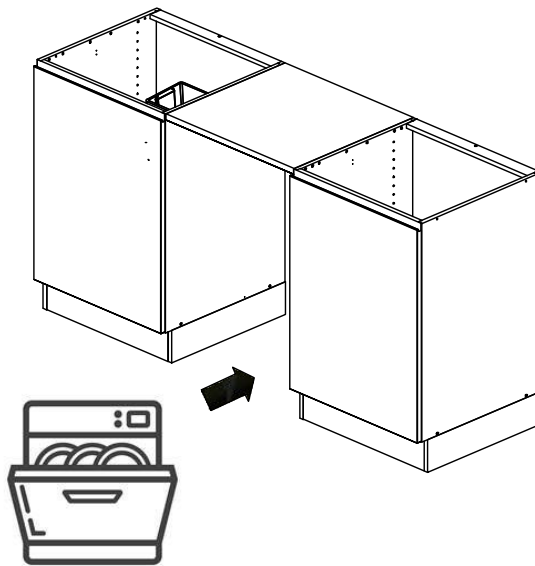
D100L7864



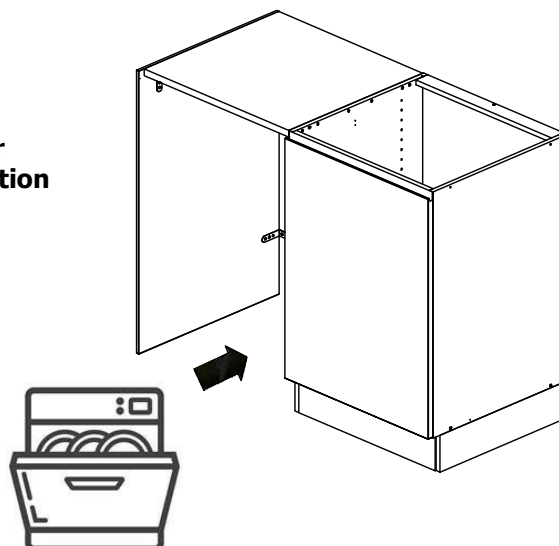
Index:

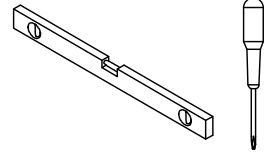
- How to prepare cabinets as mid solution? Page 2
- How to prepare cabinets as end solution? Page 3-10
- How to mount front and install the dishwasher? Page 11-12

**Dishwasher
as mid solution**

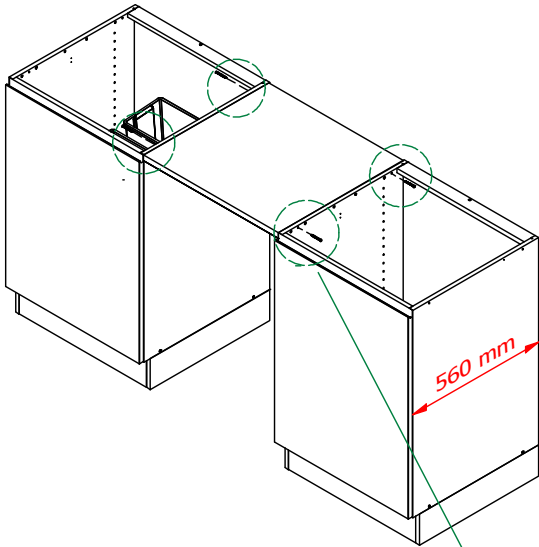


**Dishwasher
as end solution**

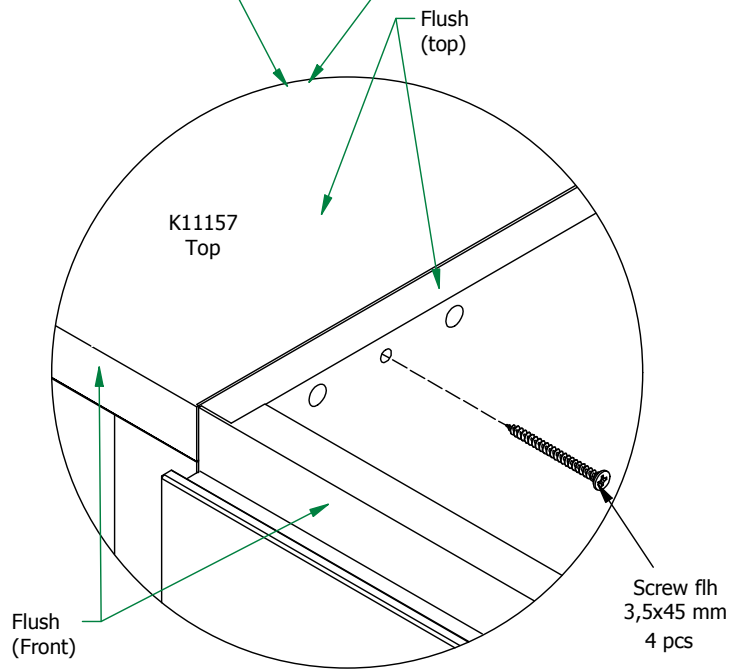
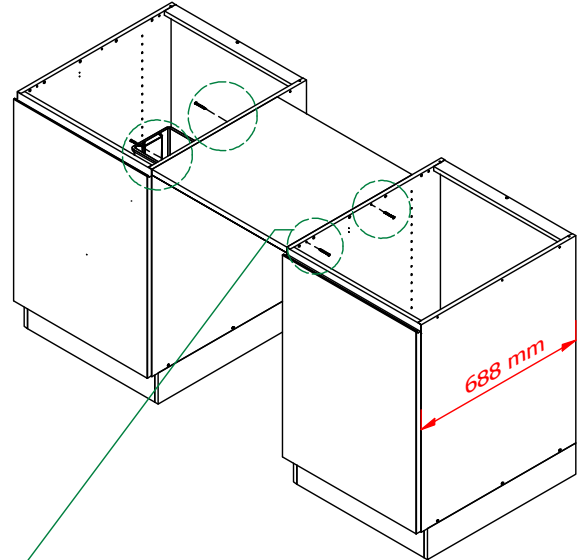


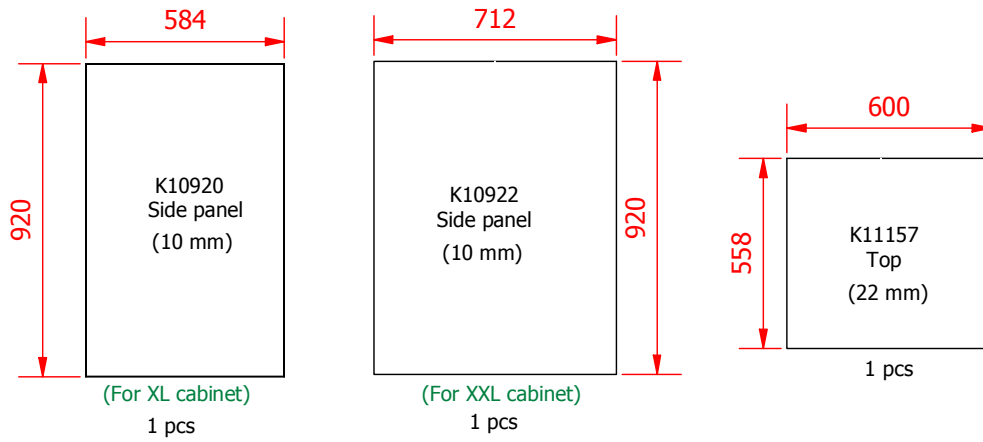


XL cabinet

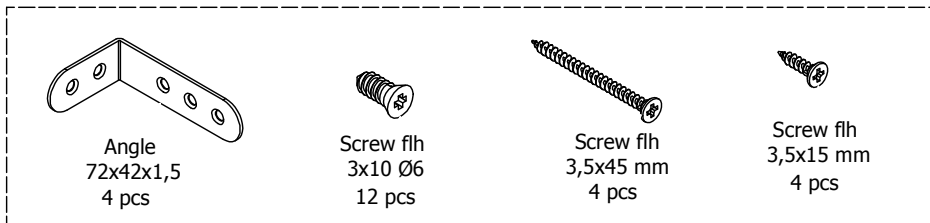


XXL cabinet





BP01910-BP00494



Tools

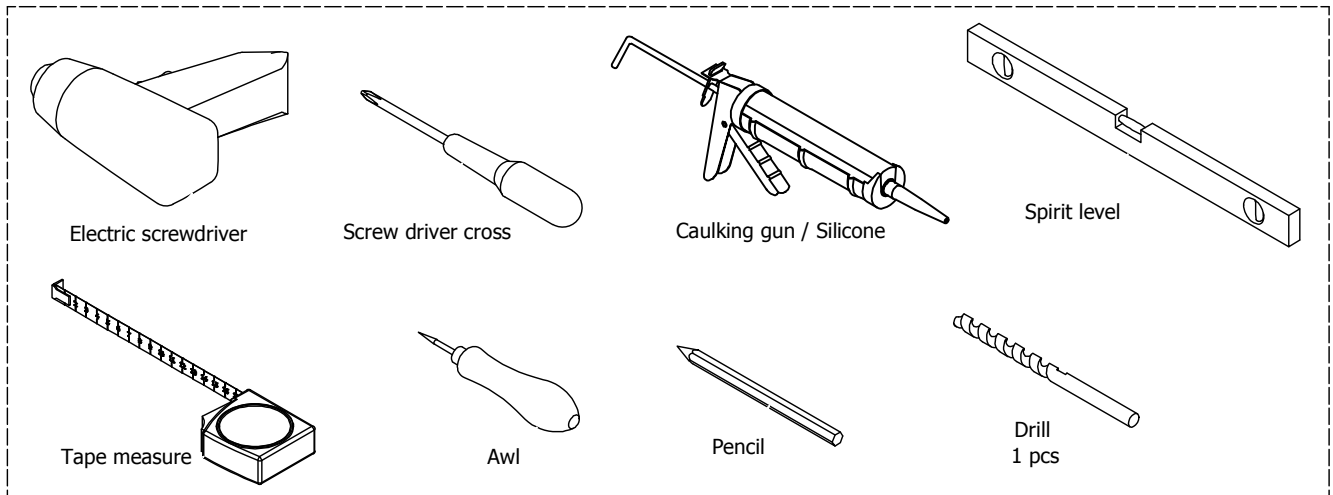


FIG. 1

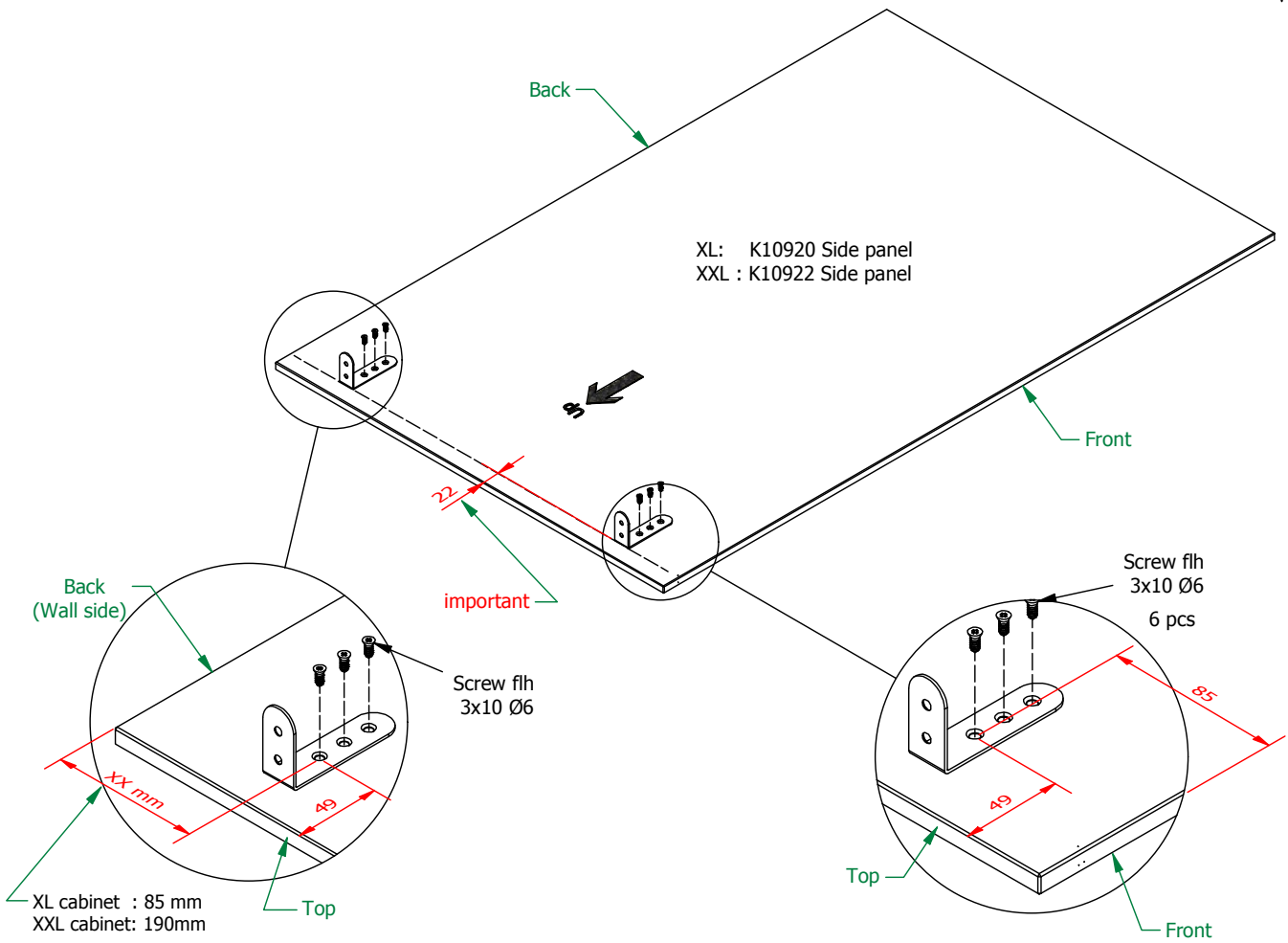
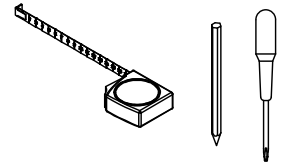


FIG. 2

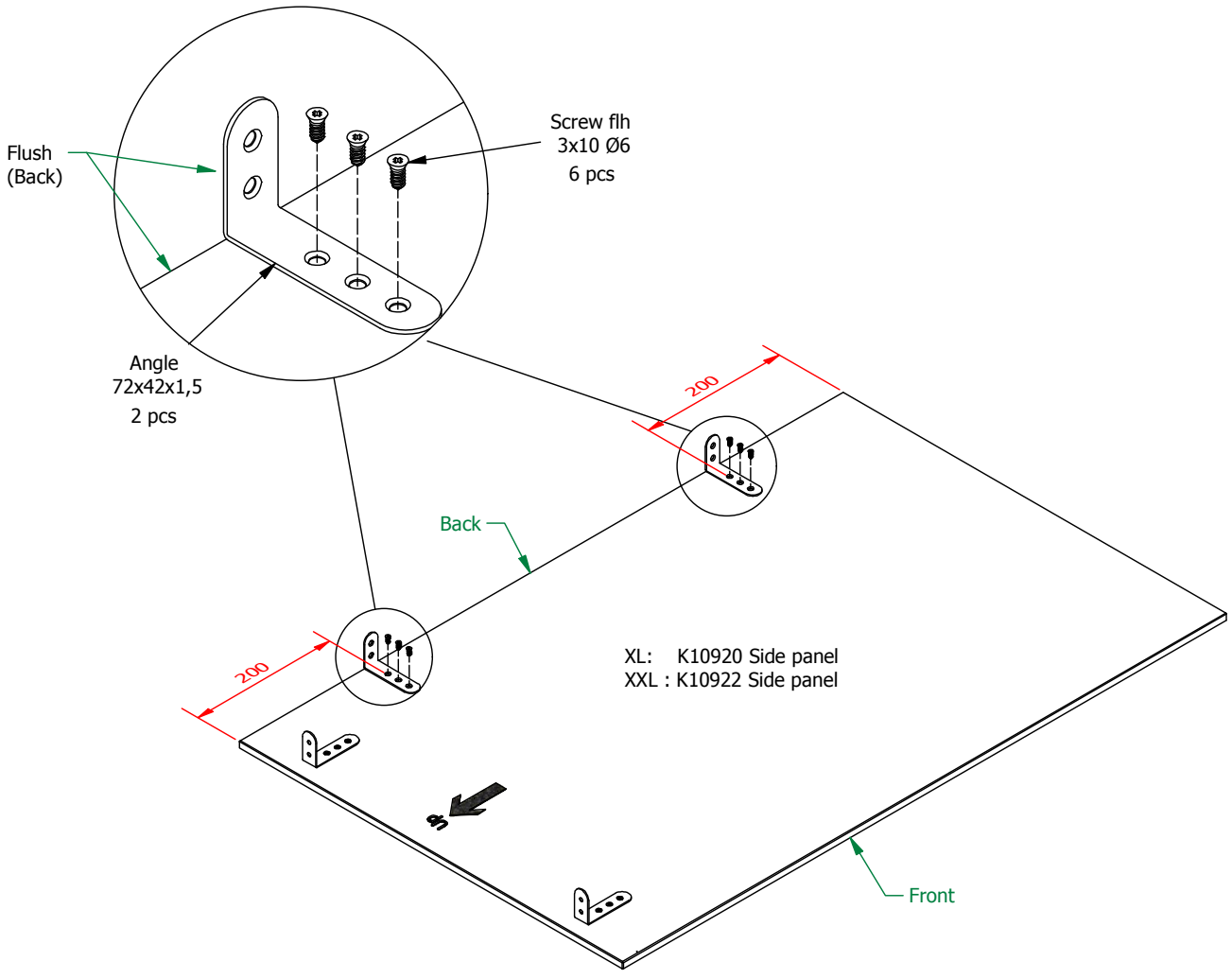
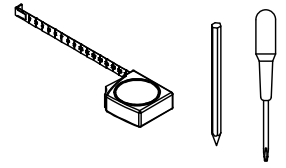
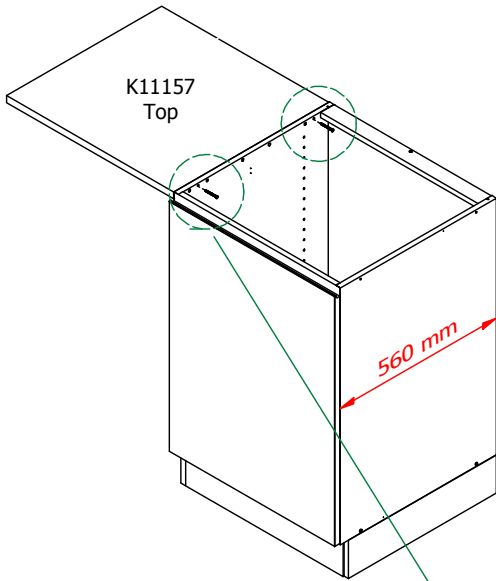


FIG.
3



XL cabinet



XXL cabinet

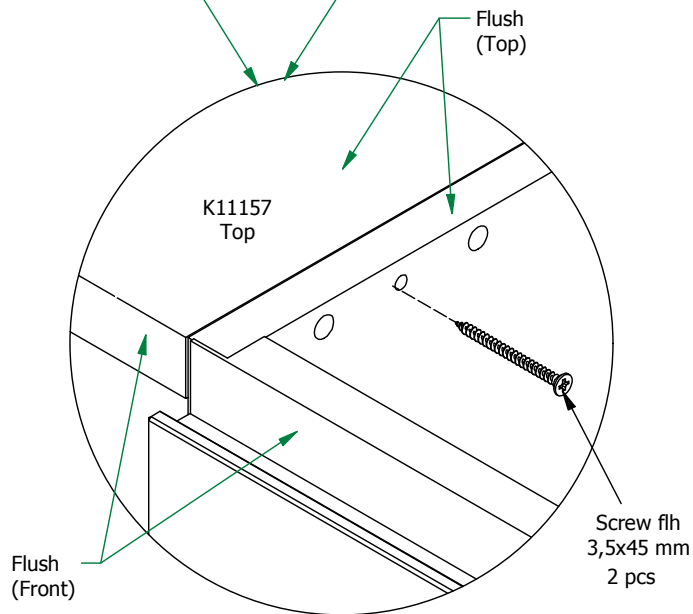
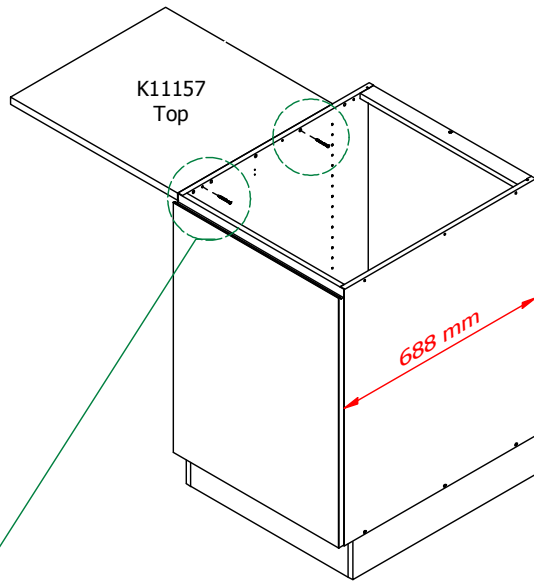
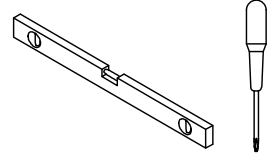
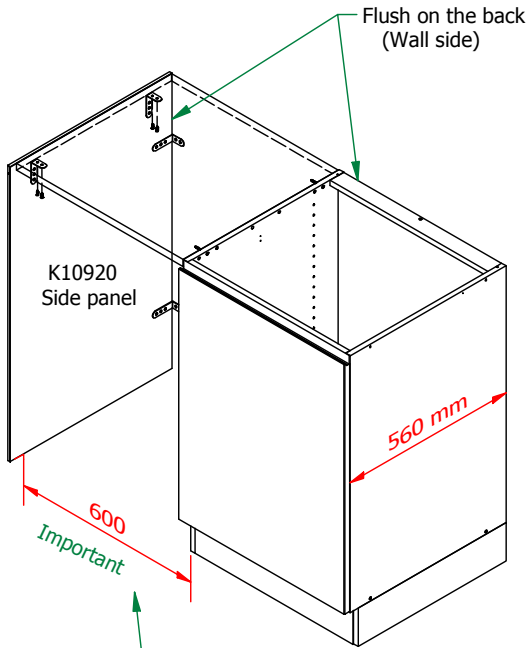


FIG. 4



XL cabinet



XXL cabinet

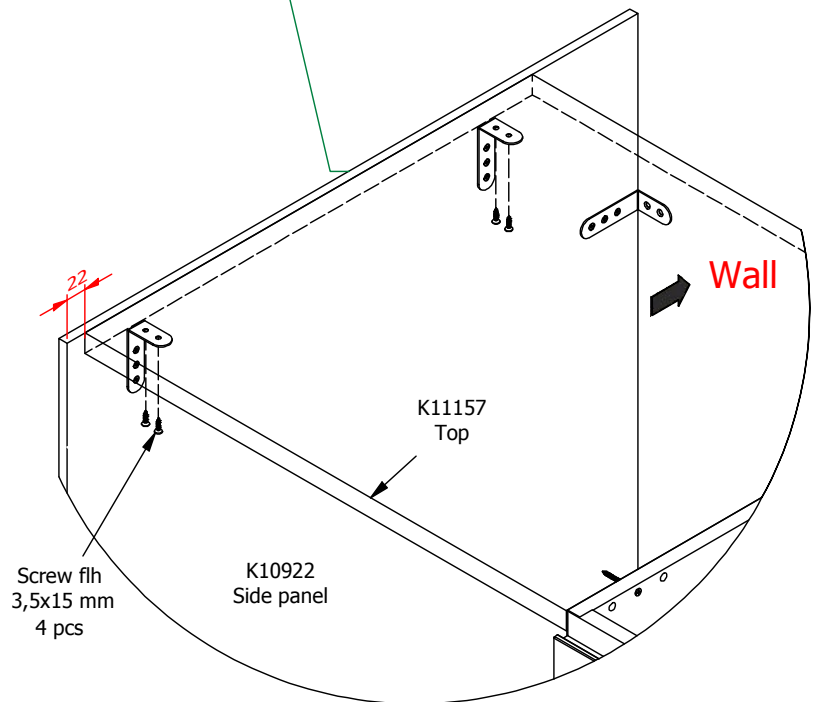
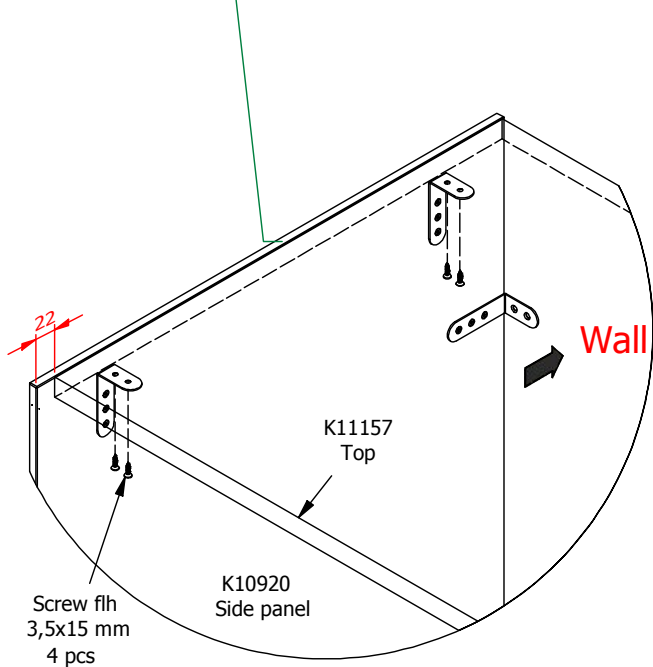
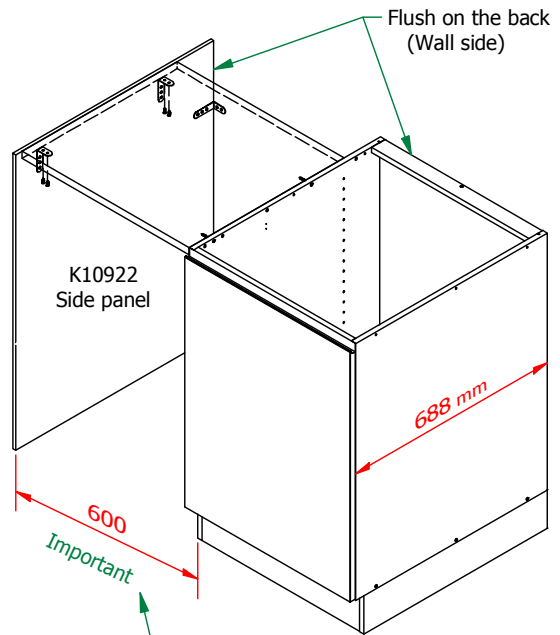
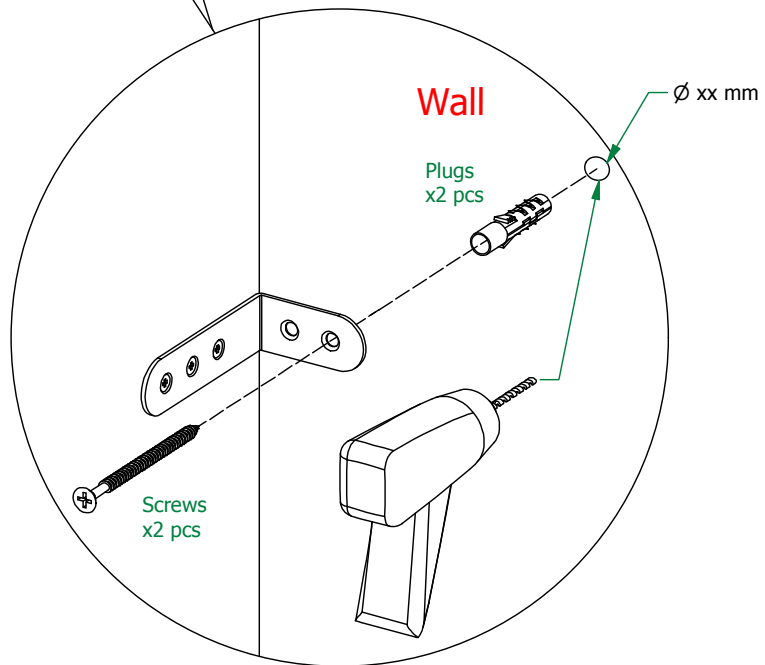
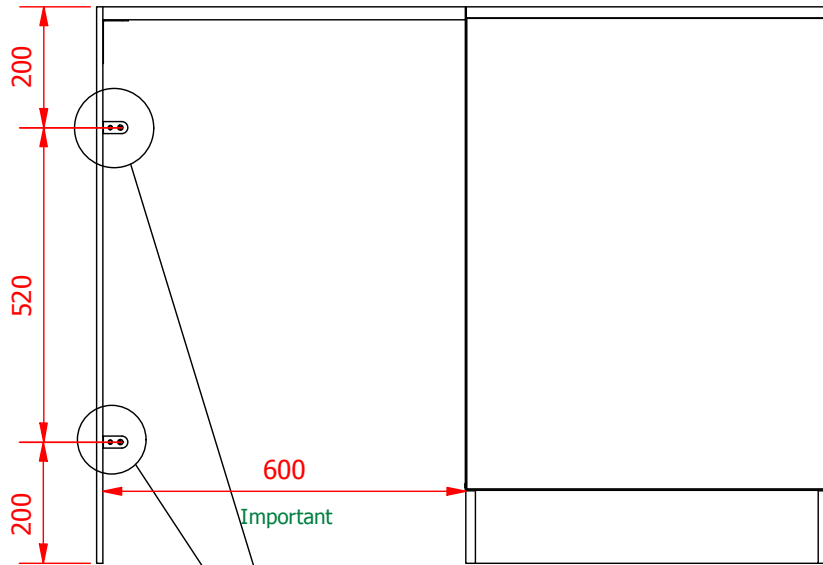


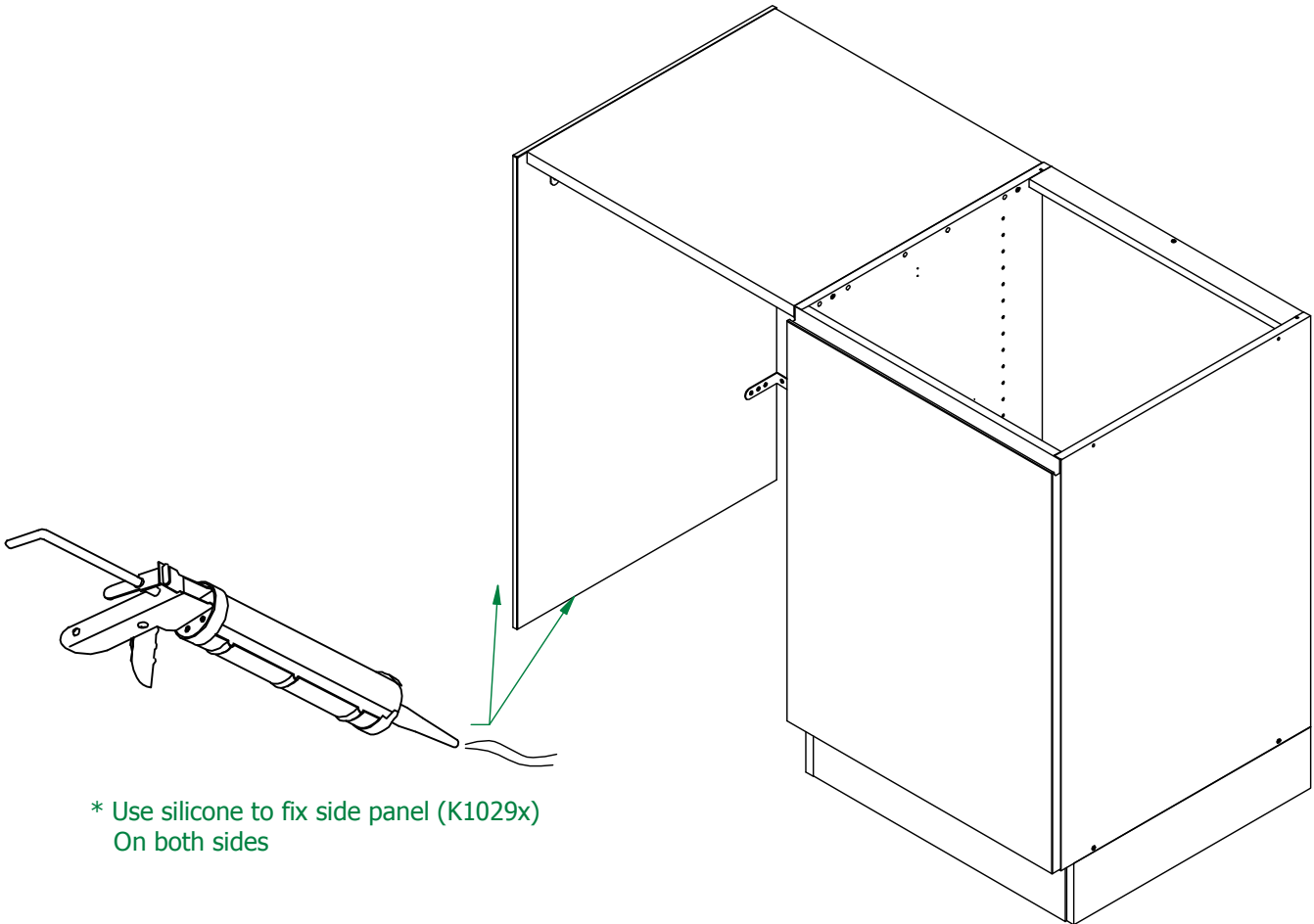
FIG.
5

XL / XXL cabinet

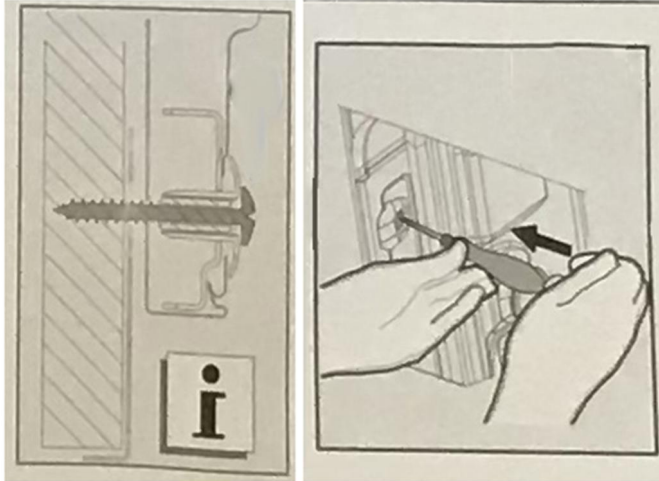


*Plugs and screws for wall mount
is not supplied by Kvik

FIG. 6
6 XL / XXL cabinet



* Use silicone to fix side panel (K1029x)
On both sides



Attention !

Note screws length!
Avoid the screws penetrates endpanels

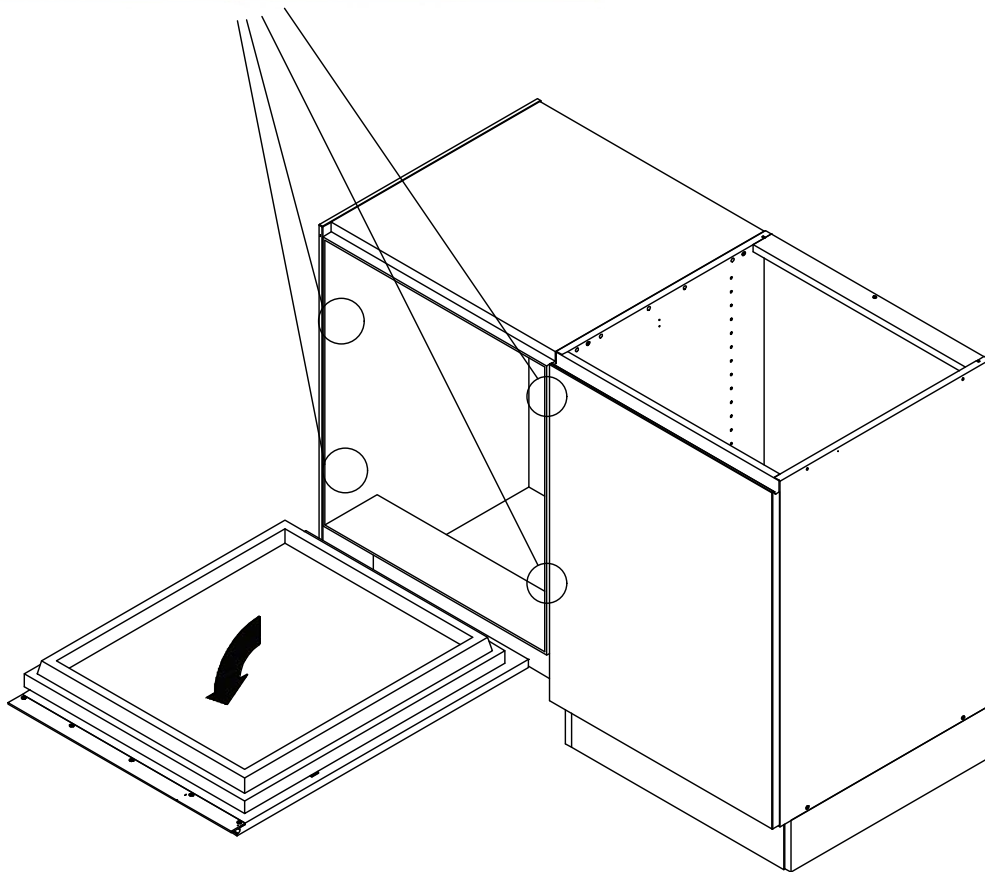


FIG.
1

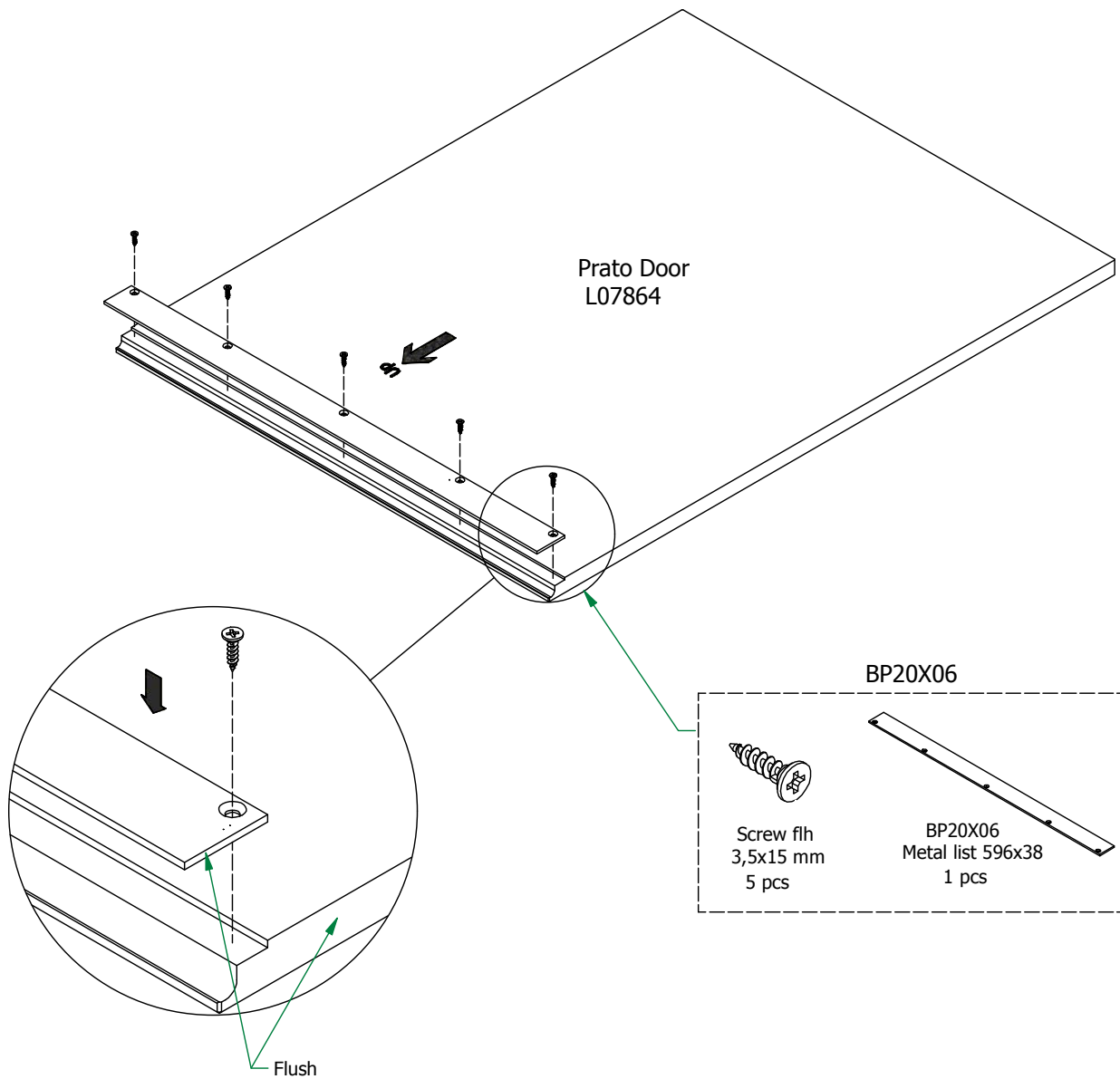
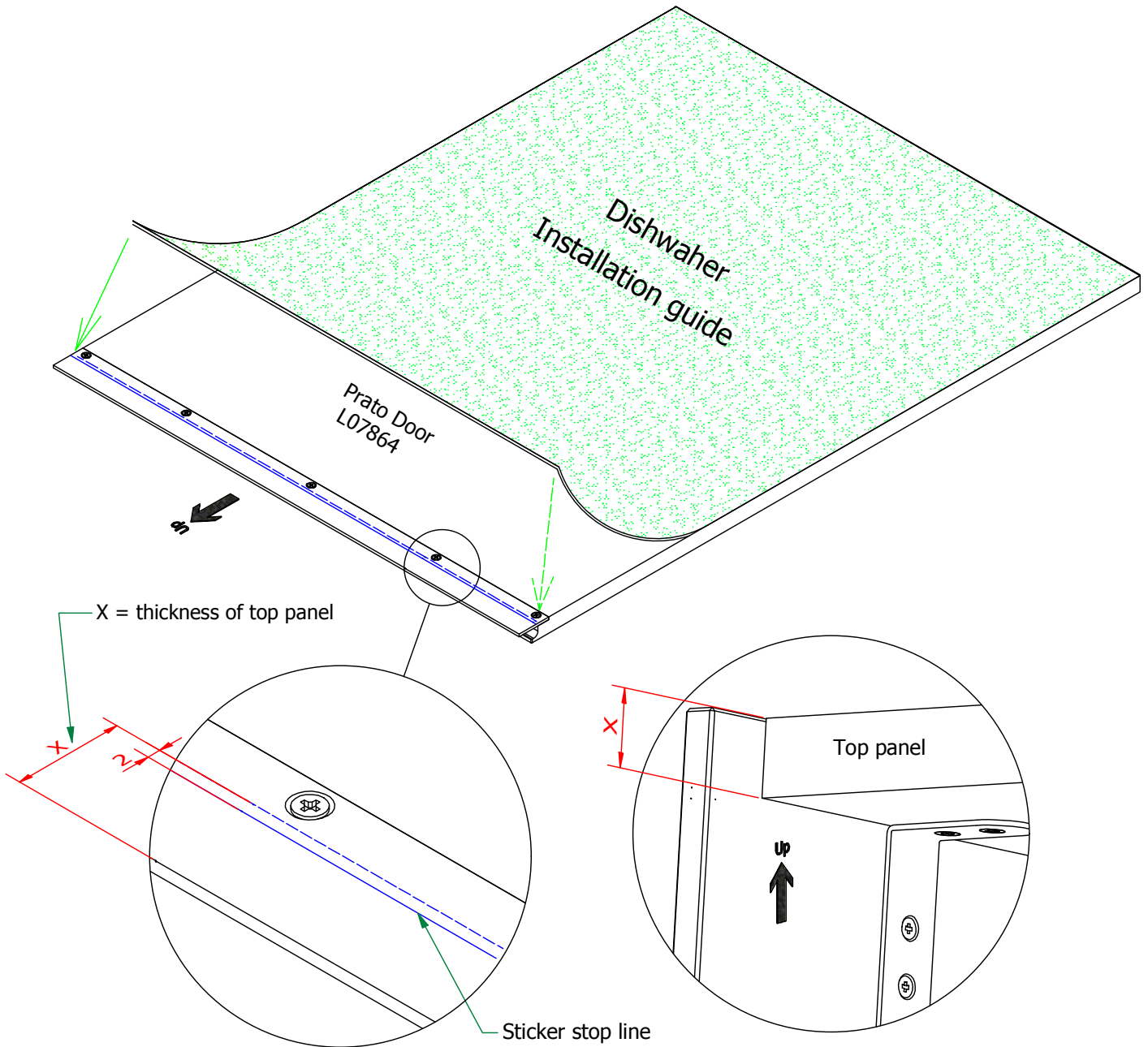


FIG. 2



Install the dishwasher with the template supplied together with the dishwasher