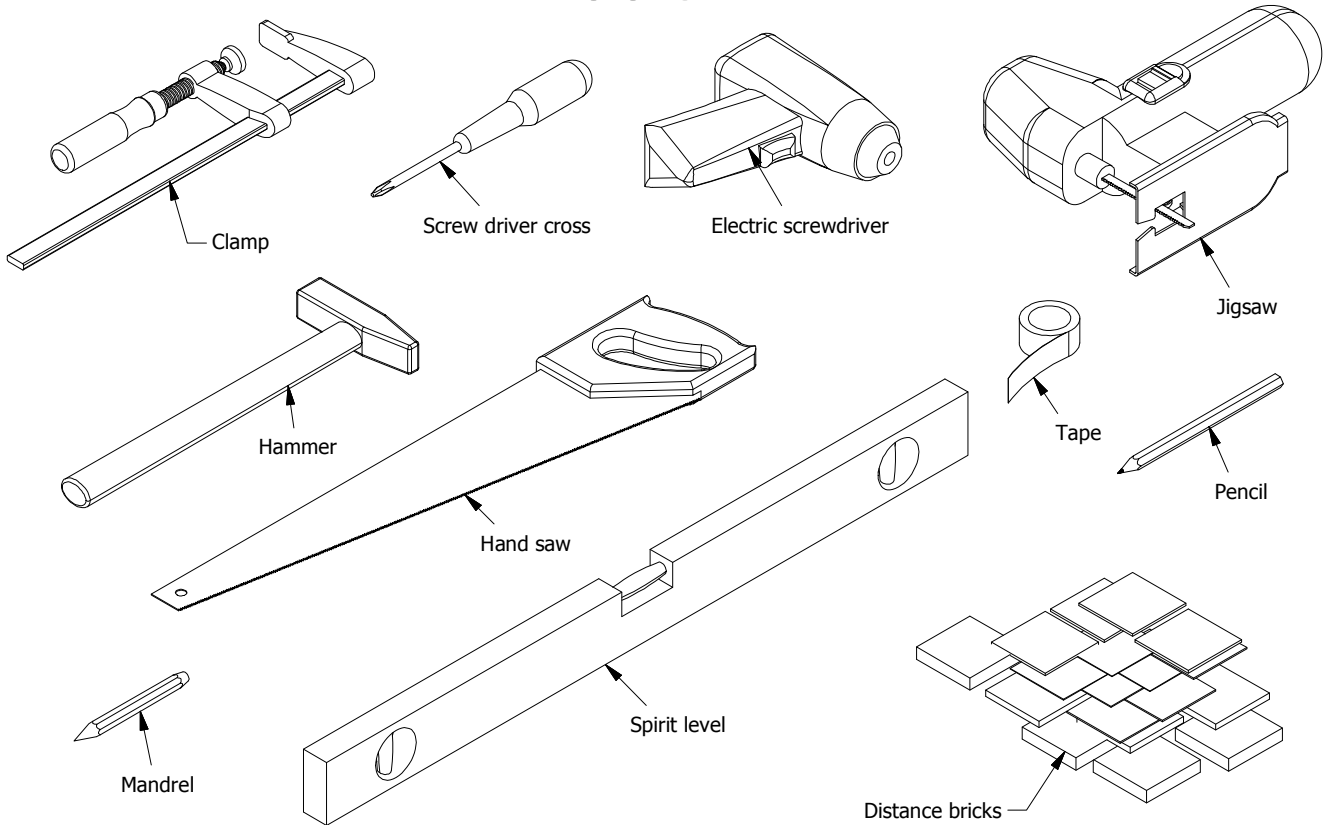
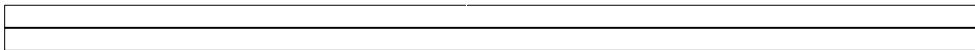


Method 1 Side 2-6  
 Method 2 Side 7-9 (List)  
 Fixing to floor Side 10

# Tools



T12124  
Plinth front



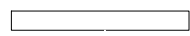
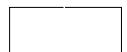
T12123  
Plinth back



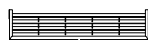
T12125  
Plinth side



T12126  
Plinth side



T12100  
Plinth middle piece

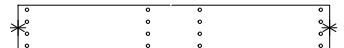


K15442  
Socket rack

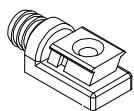
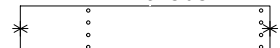
T12122  
Plinth side



T12128  
Plinth side



T32122  
Plinth side



Plinth joining bracket



Screw flh  
3,5x15 mm



Angle 20x20x16 Ø6,5

\* ABS edge

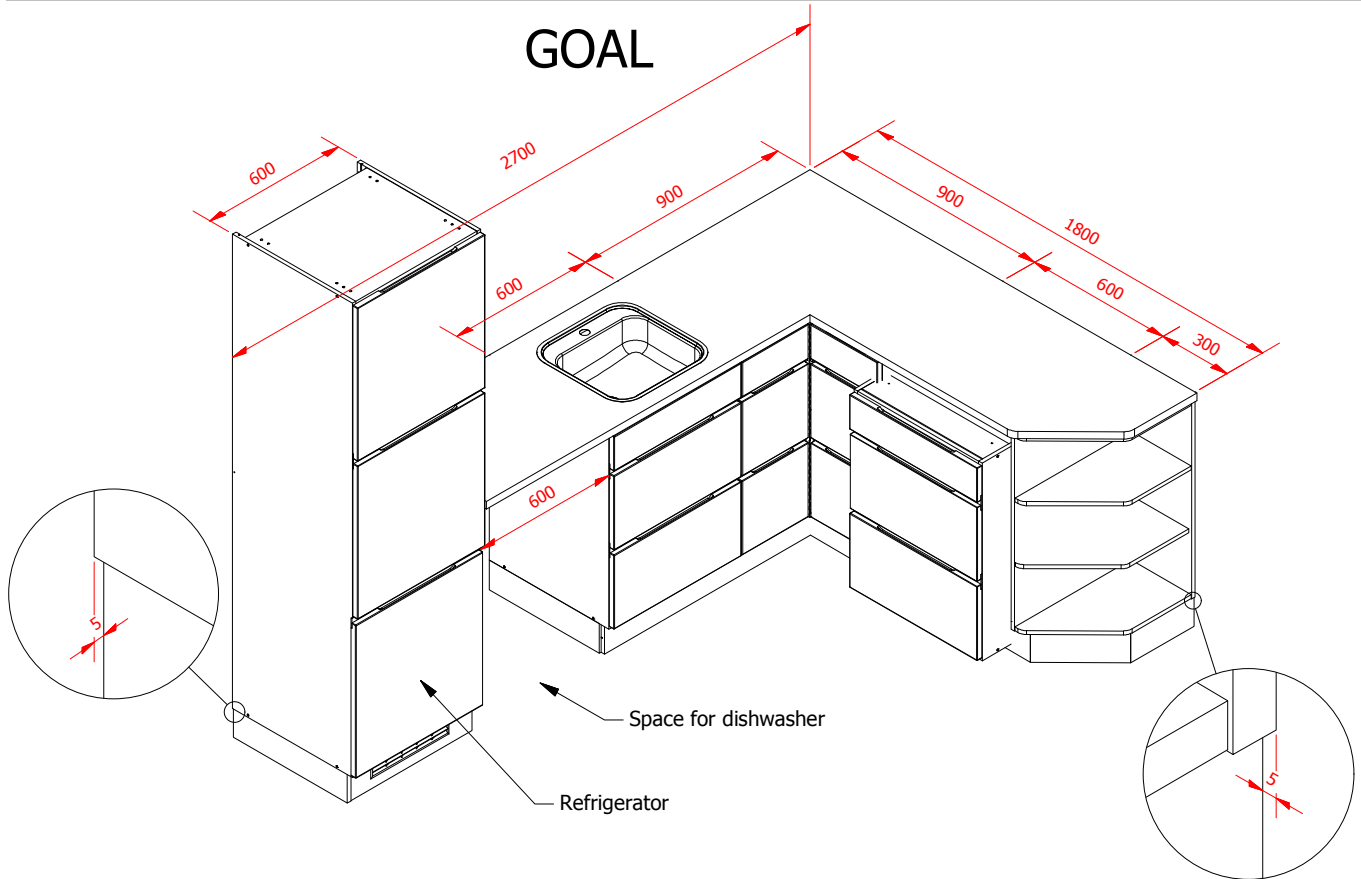


FIG. 1

**Transfer unevenness in the floor to plinth (Method 1)**

Cut all the front and side pieces you need, and place them exactly where they shall be on the floor.

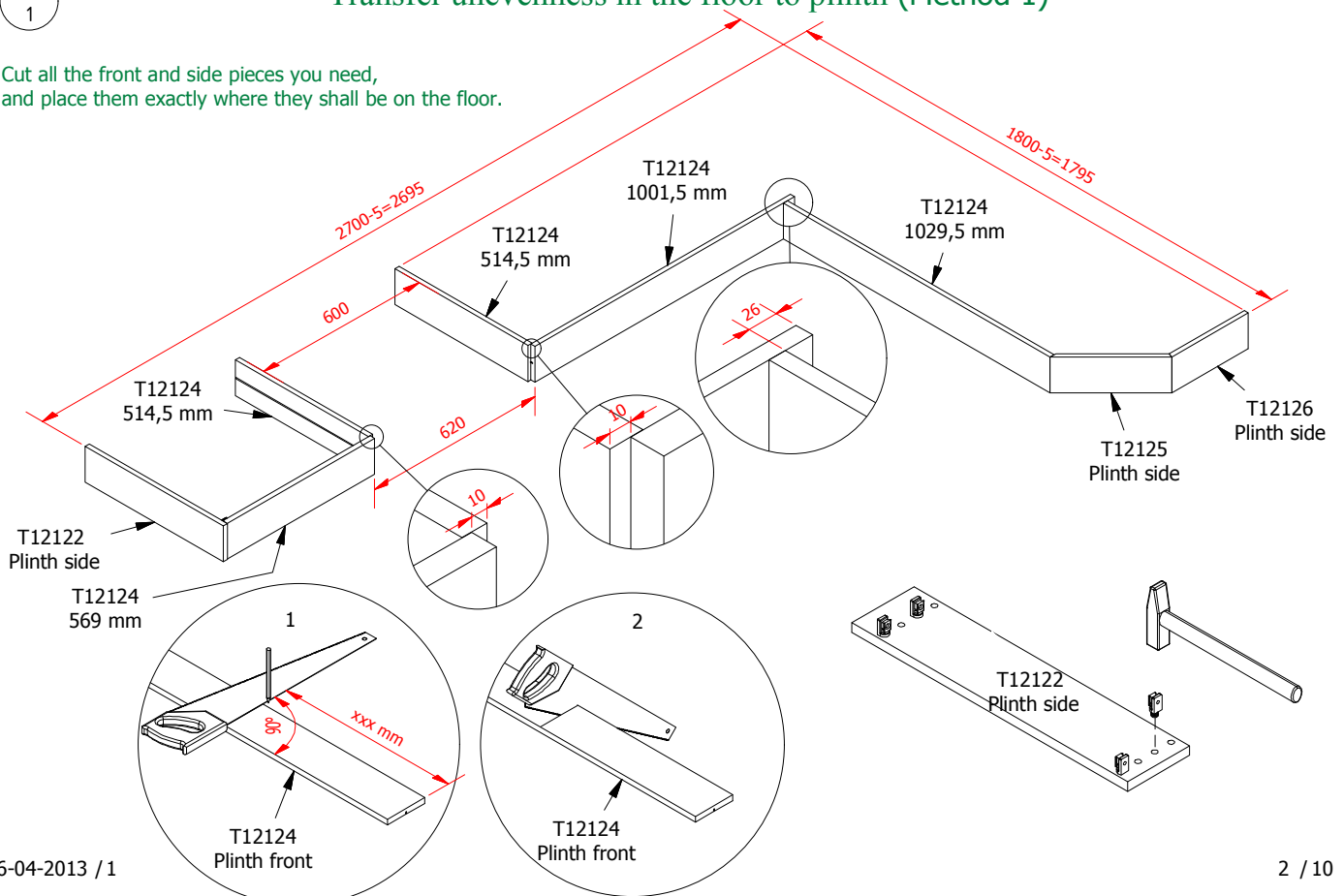


FIG. 2

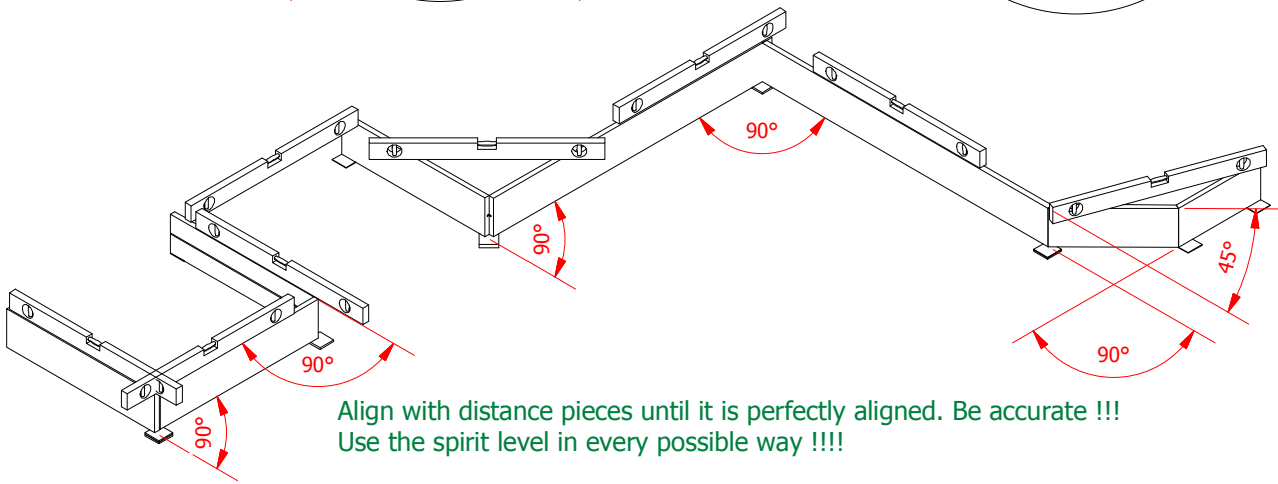
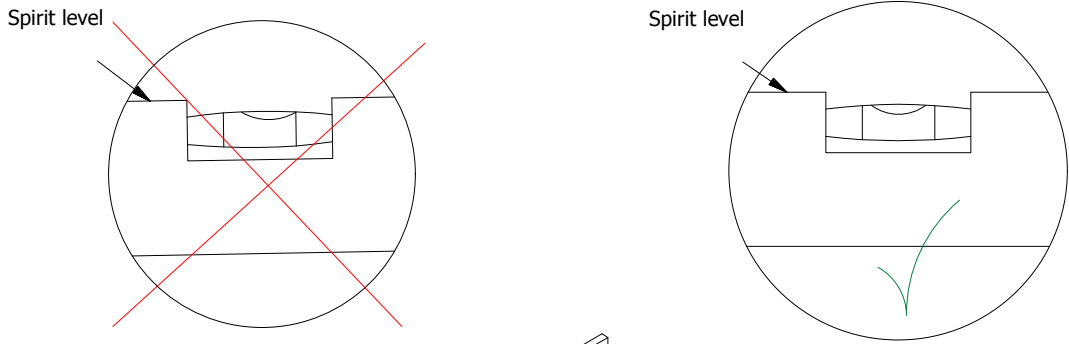
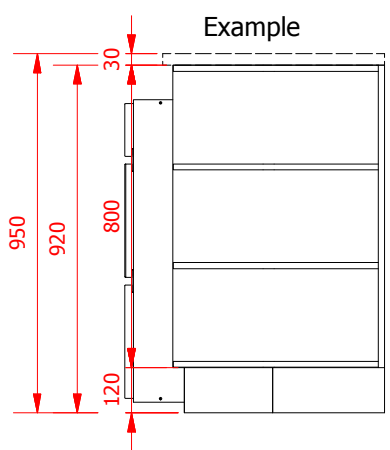


FIG. 3



**OBS!!!**  
The minimum height for the plinth in the gap for dishwasher is **90 mm**

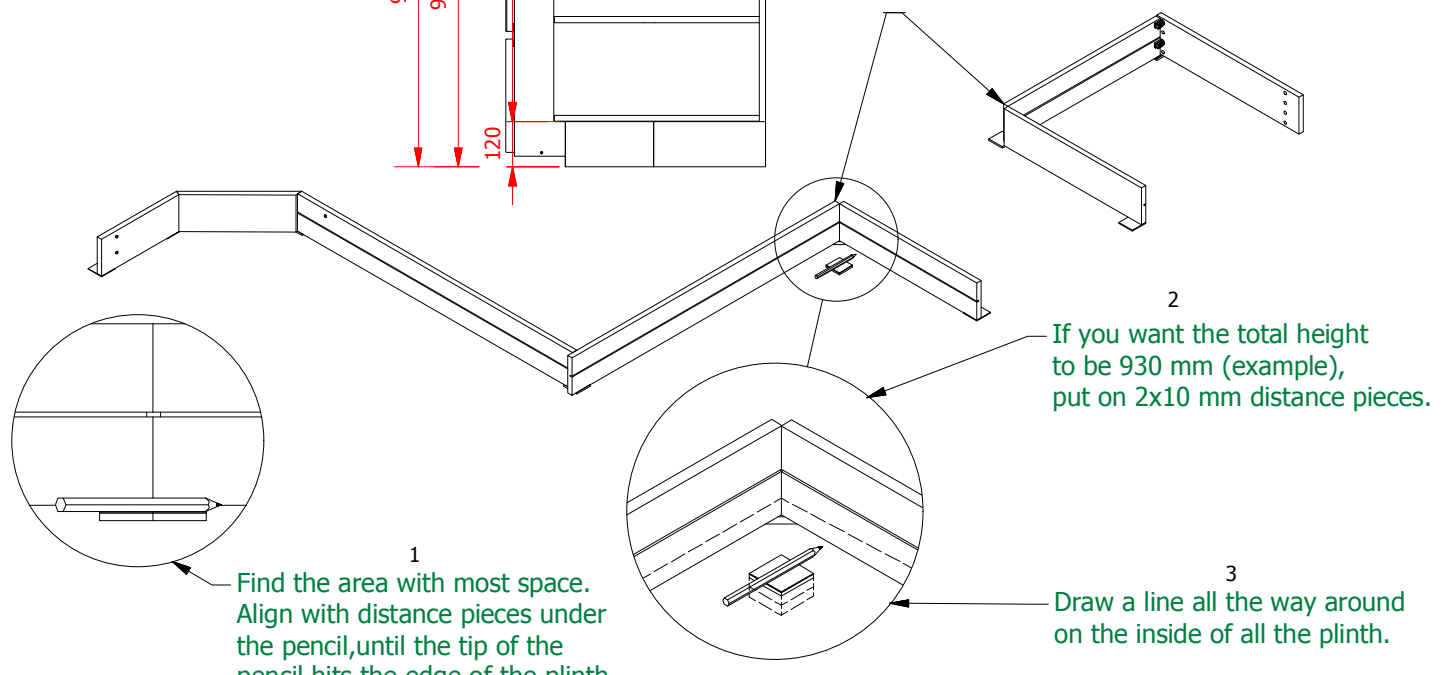


FIG.  
4

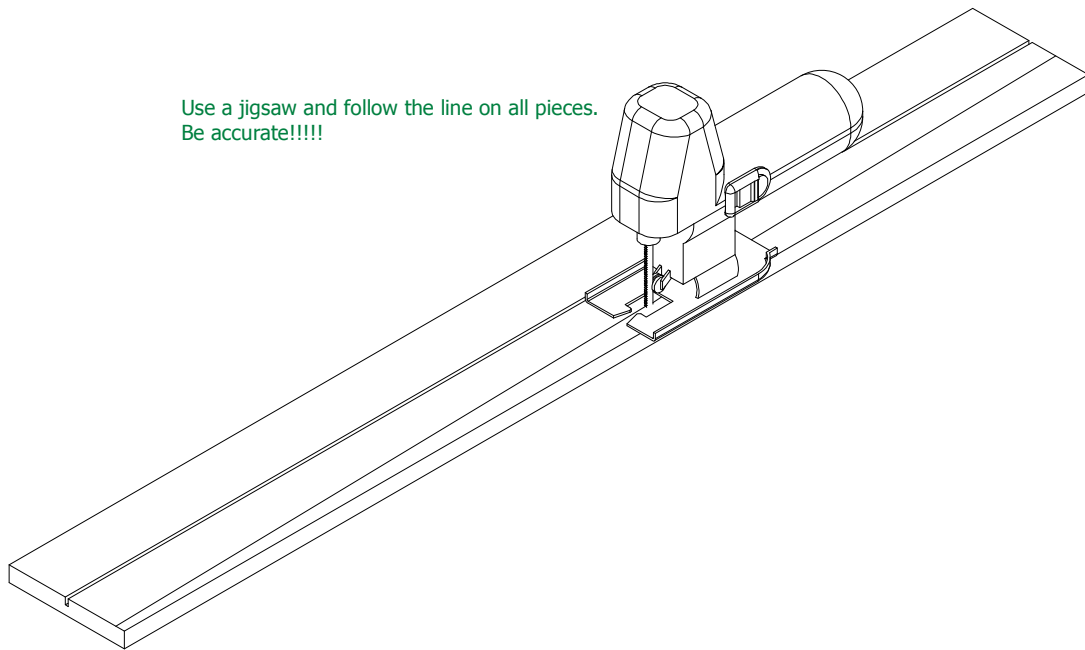


FIG.  
5

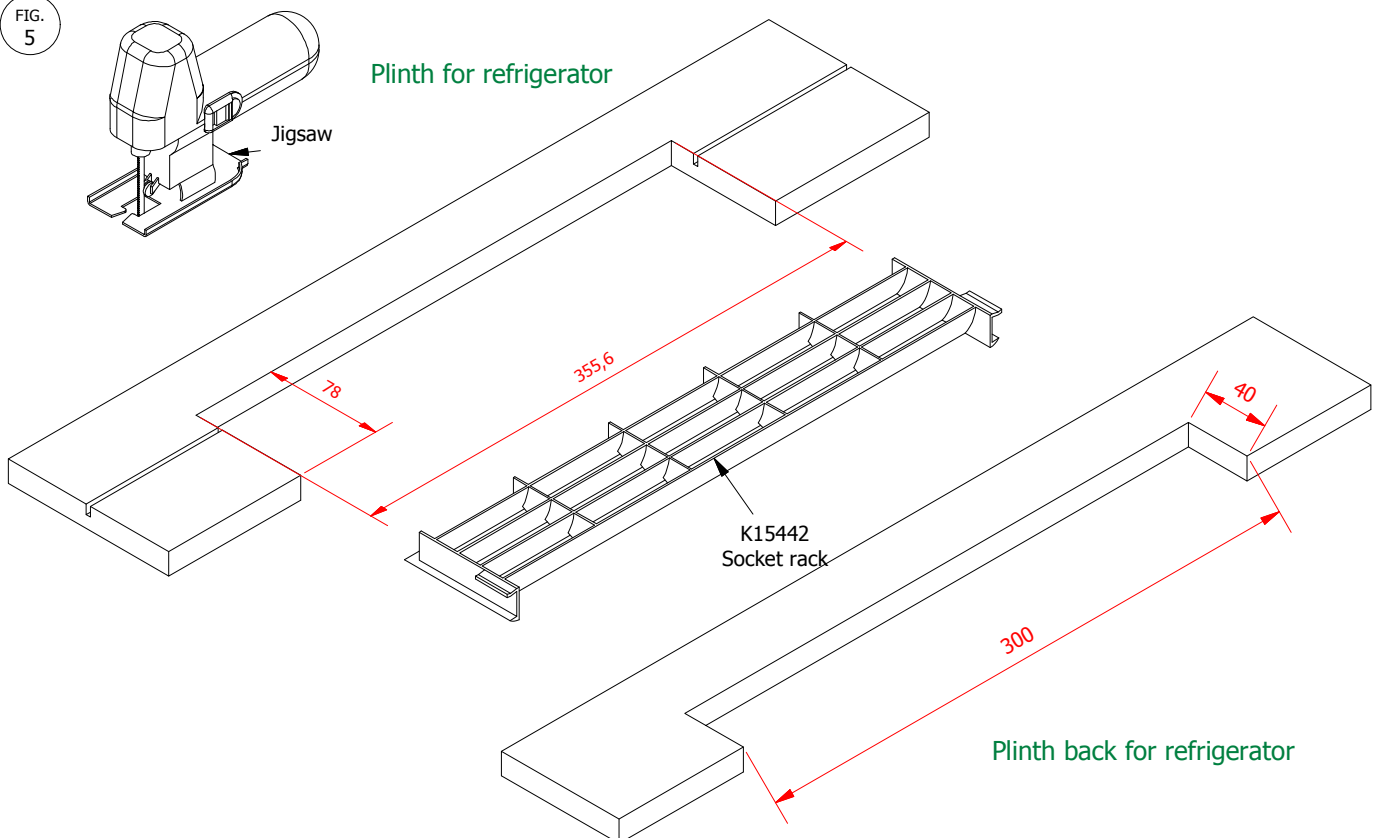


FIG. 6

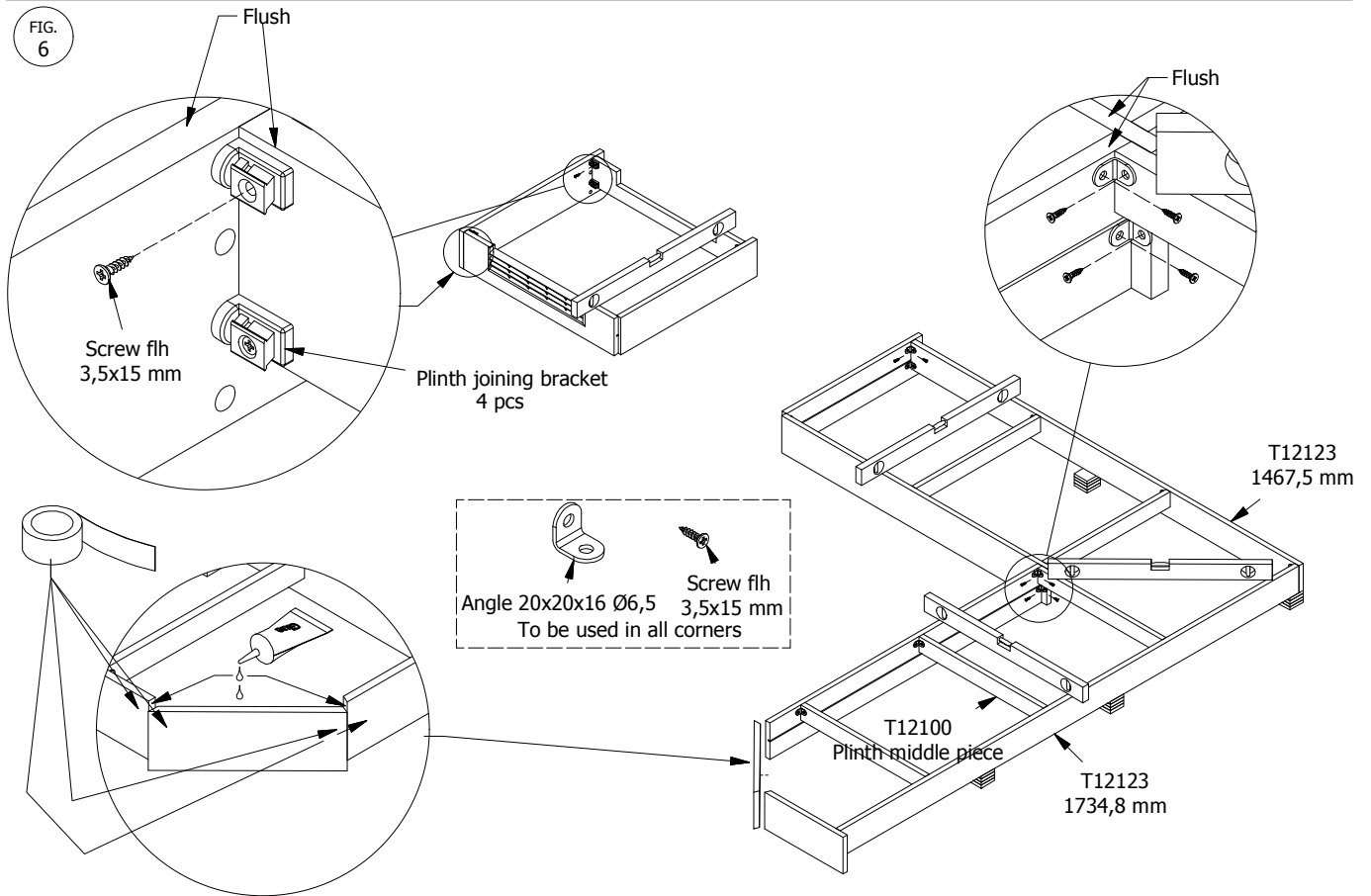


FIG. 7

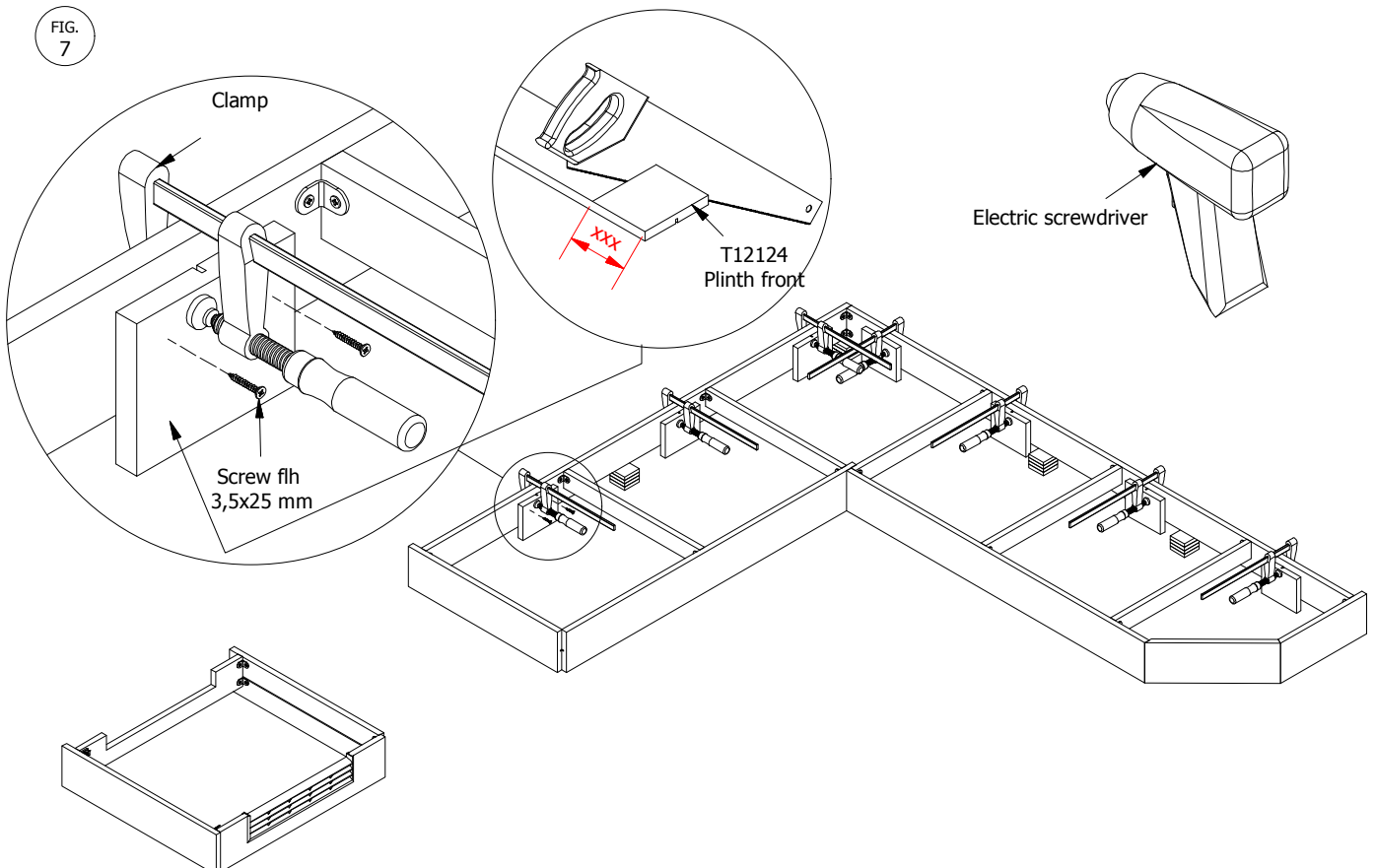
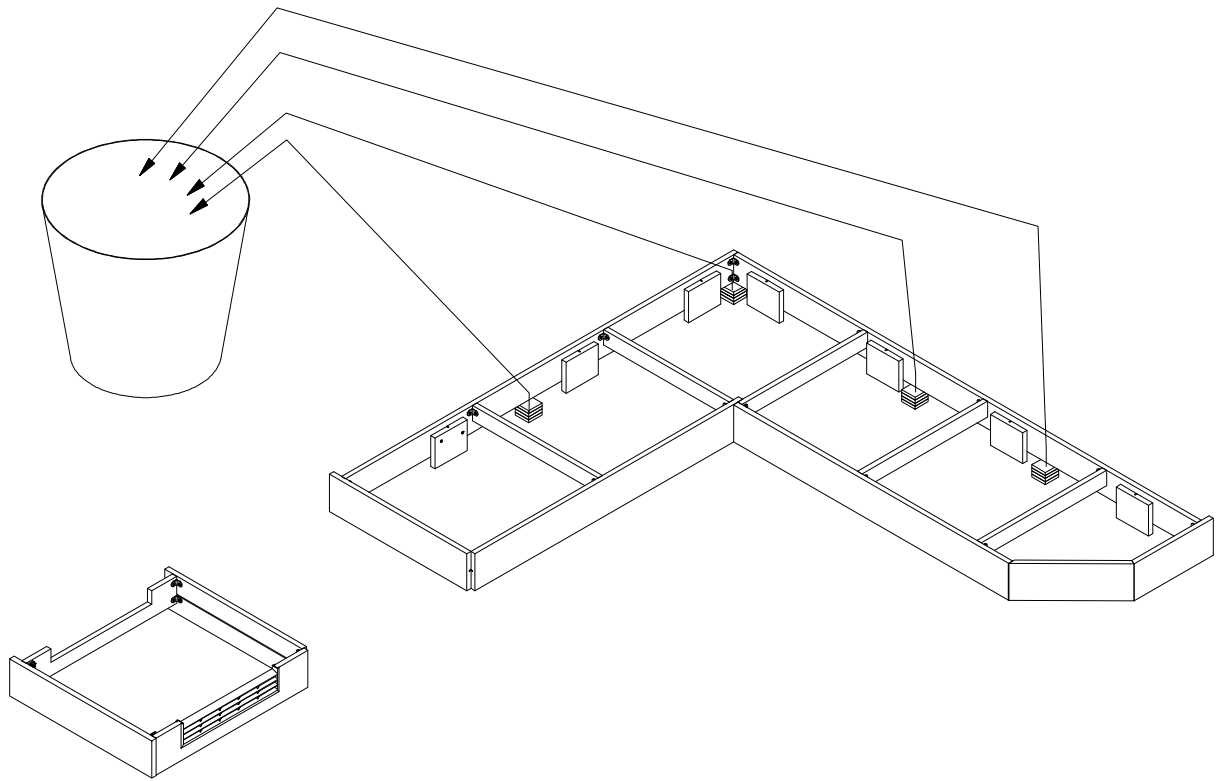


FIG.  
8



## Kitchen island (Same procedure as shown)

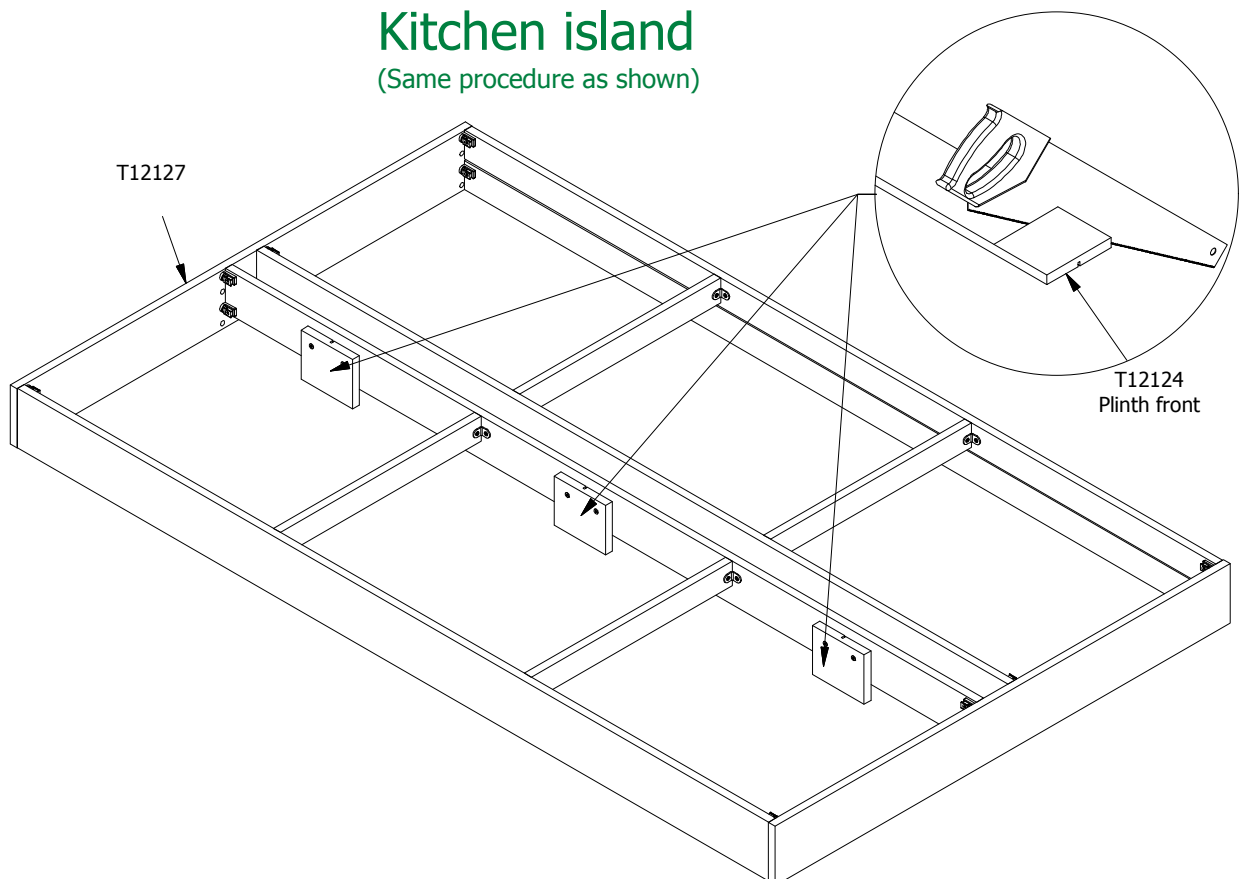


FIG. 1

## Transfer unevenness in the floor to plinth (Method 2)

Cut all the front and side pieces you need. (length)

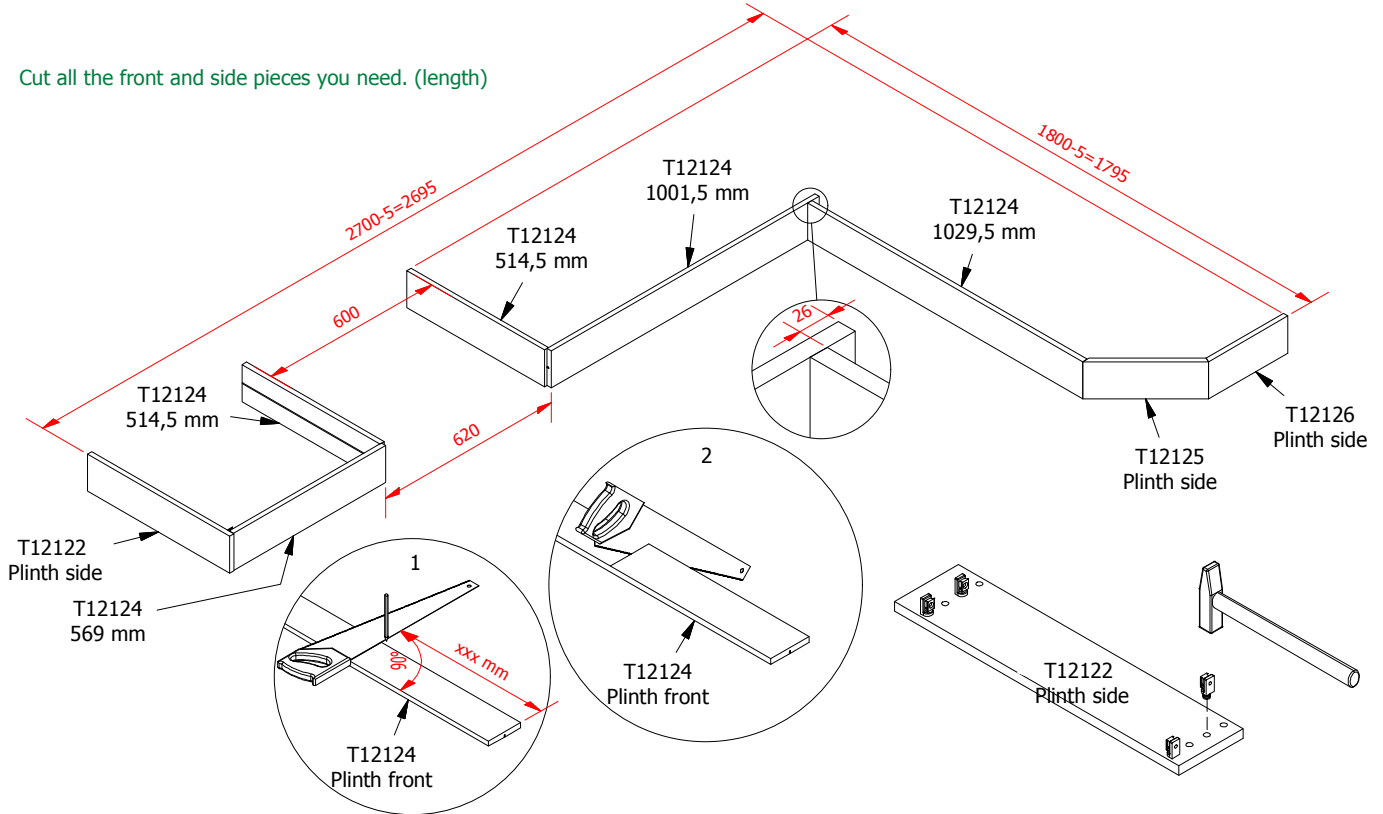


FIG. 2

### Example

If you want a total height on 930 mm,  
Cut 20 mm of all plinth. (side and front)

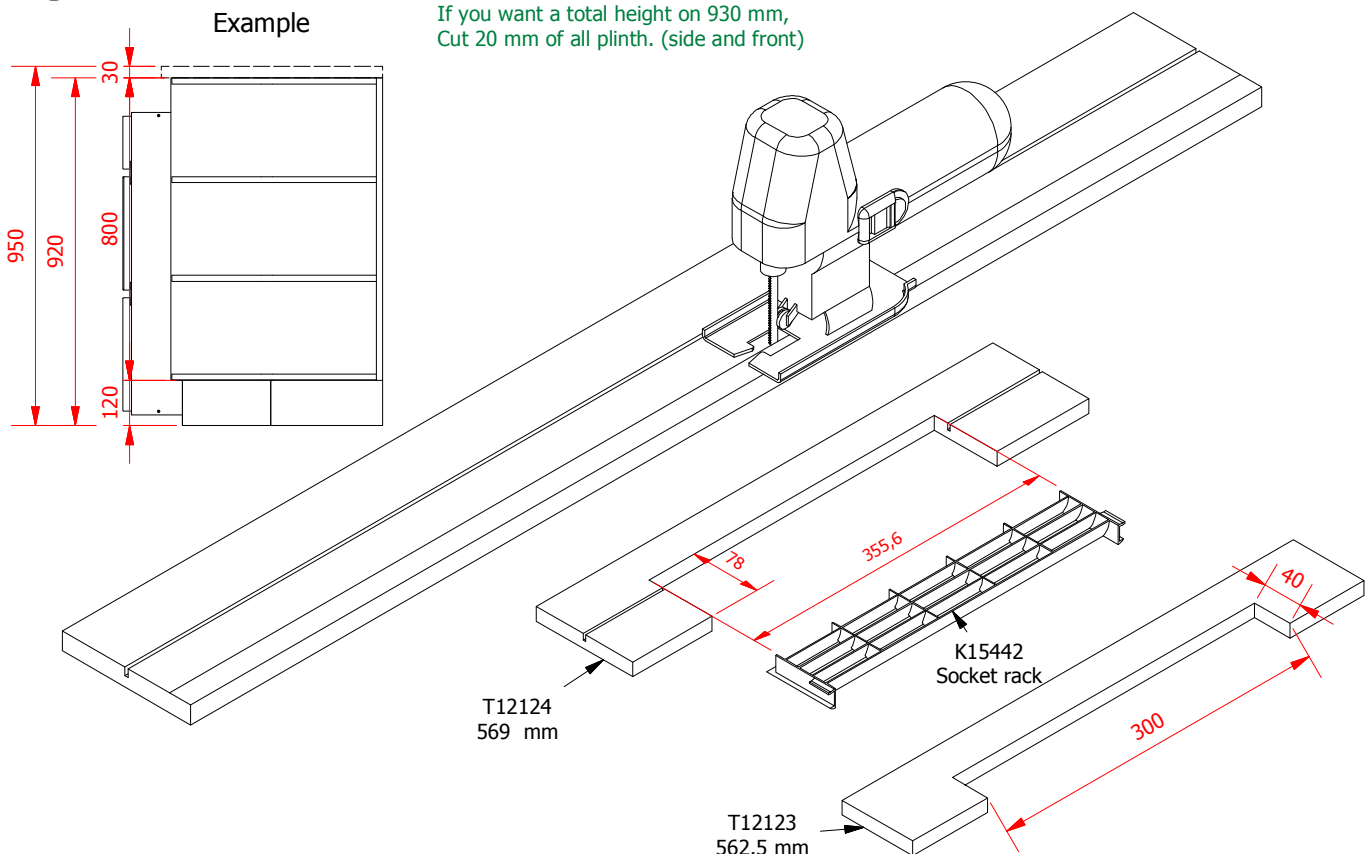
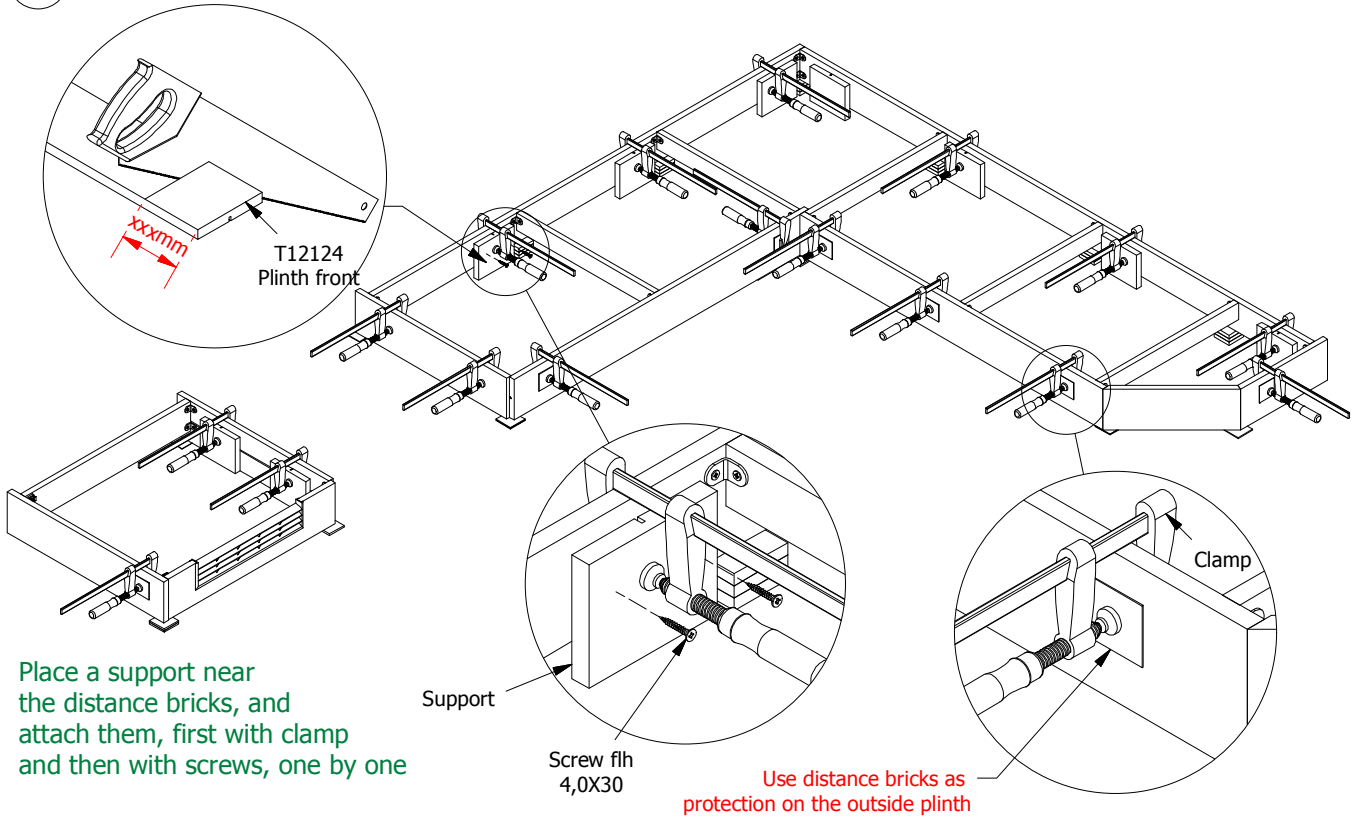






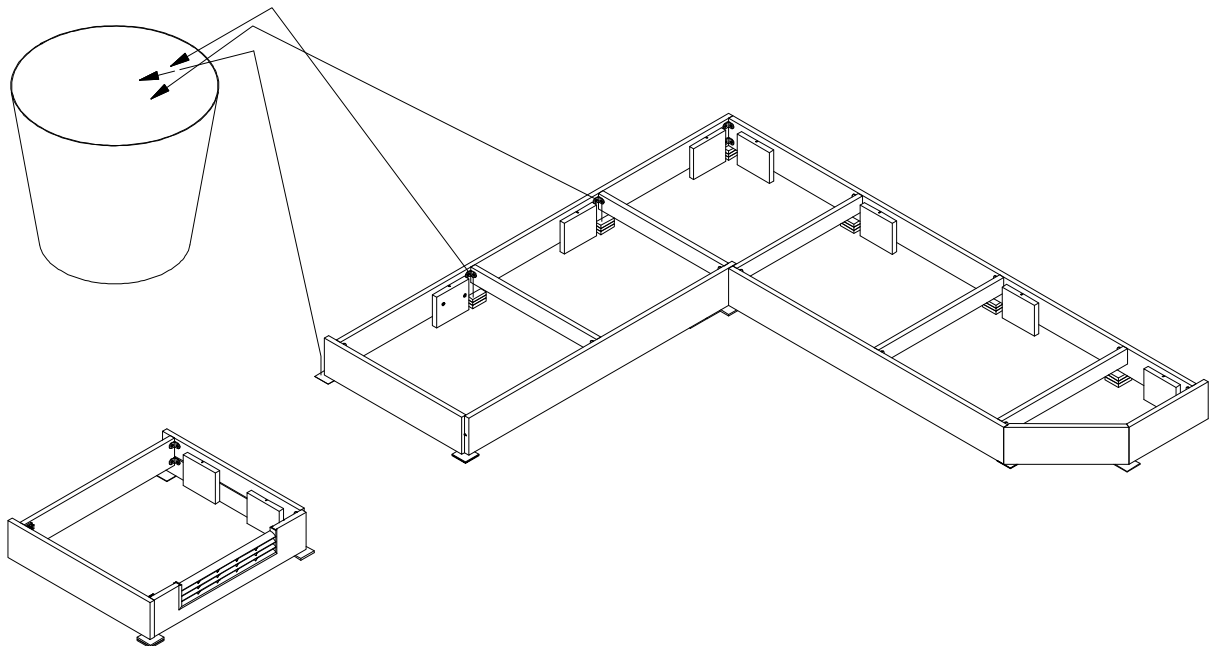
FIG. 5



Place a support near  
the distance bricks, and  
attach them, first with clamp  
and then with screws, one by one

FIG. 6

Remove all distance bricks



## Mounting the list

