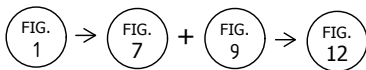
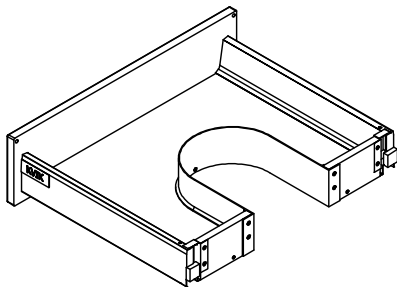


**kvik** 

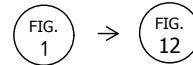
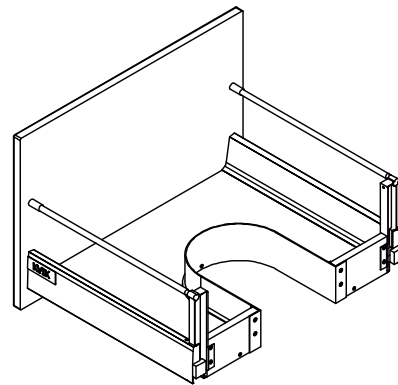
# Drawer - Drain K25900

---

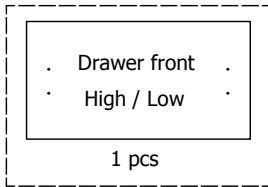
Drawer Low



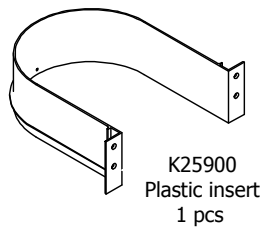
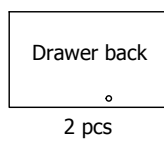
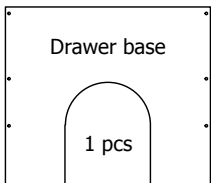
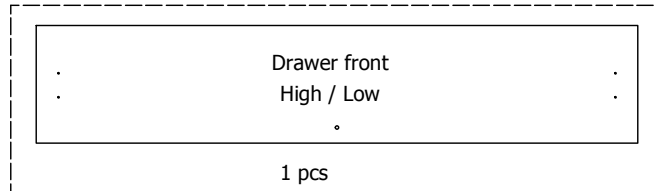
Drawer high with railing



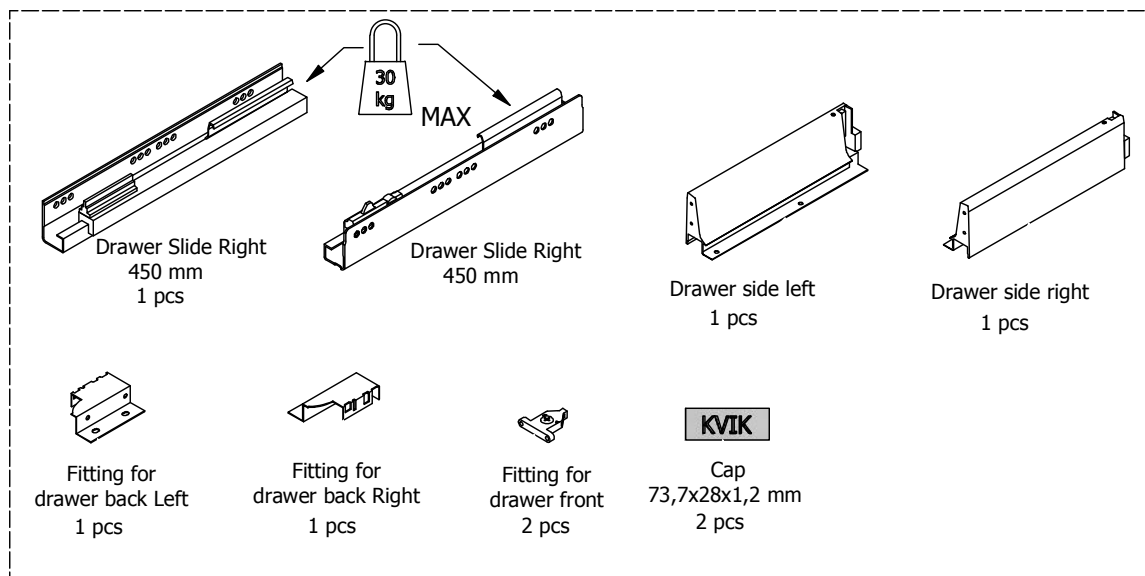
60 cm



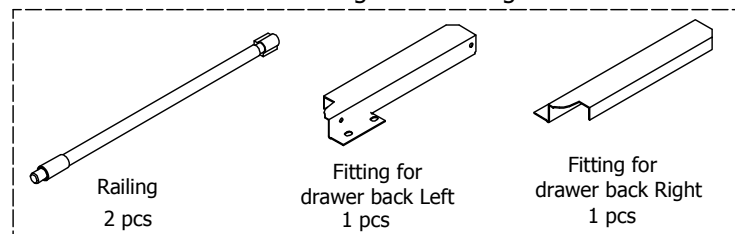
80-120 cm



**Drawer high with railing / Drawer Low**



**Drawer high with railing**



**Fitting bag**

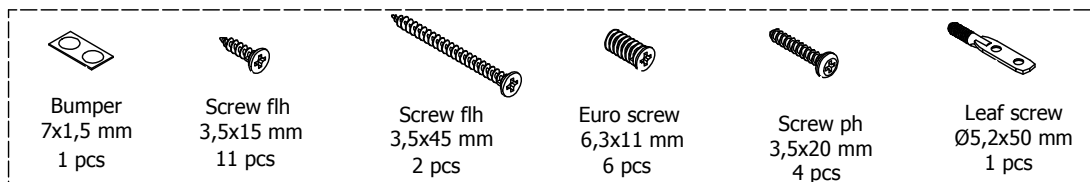


FIG. 1

Drawer Low

Drawer high with railing

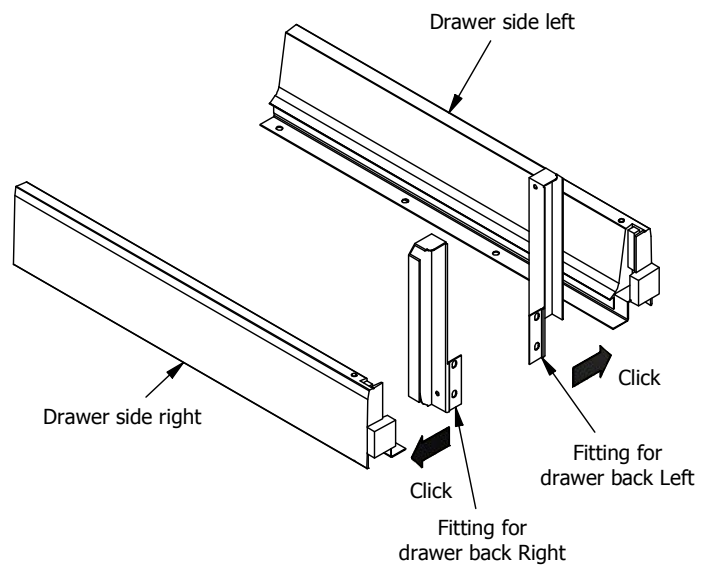
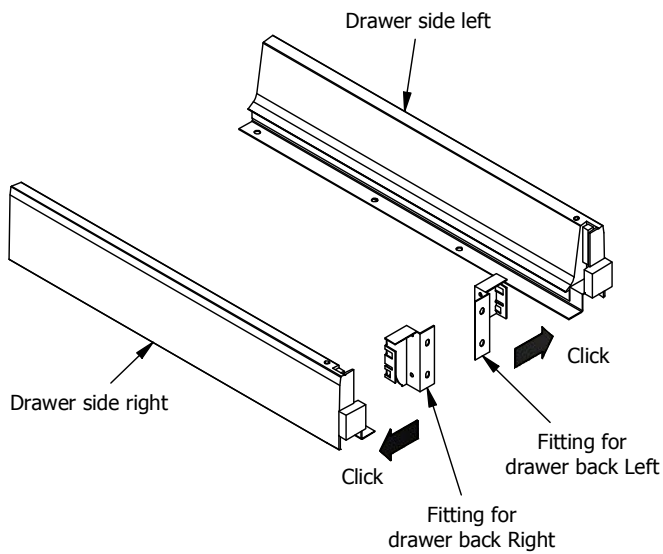
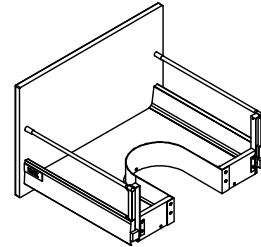
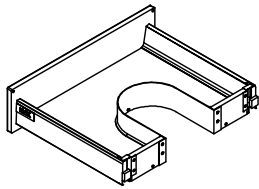


FIG. 2

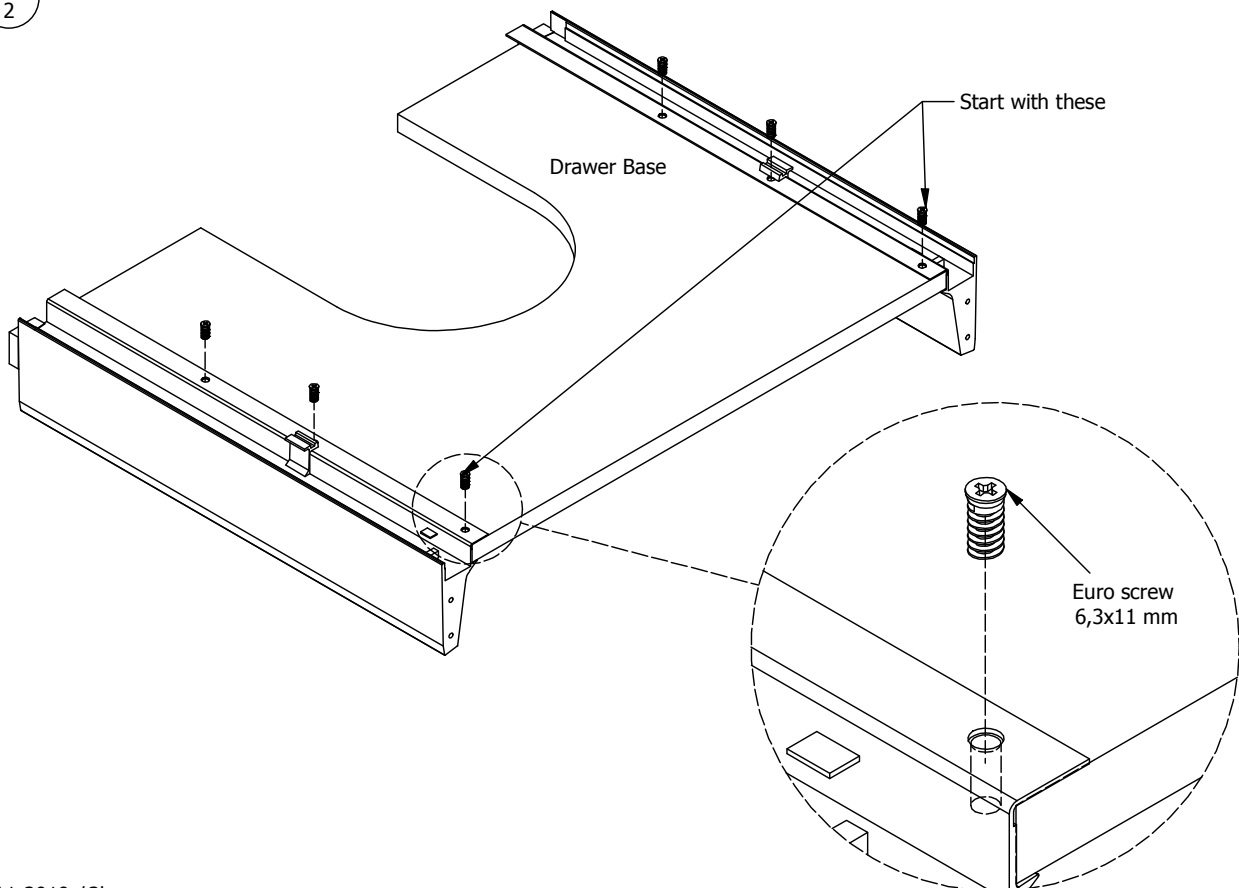
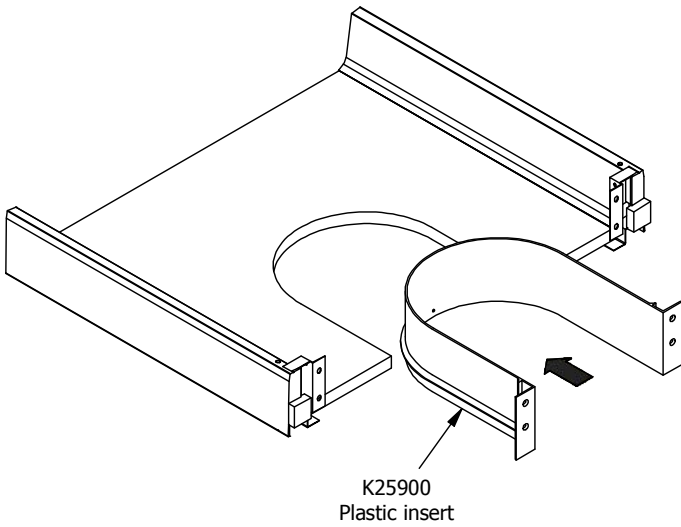


FIG. 3

Drawer Low



Drawer high with railing

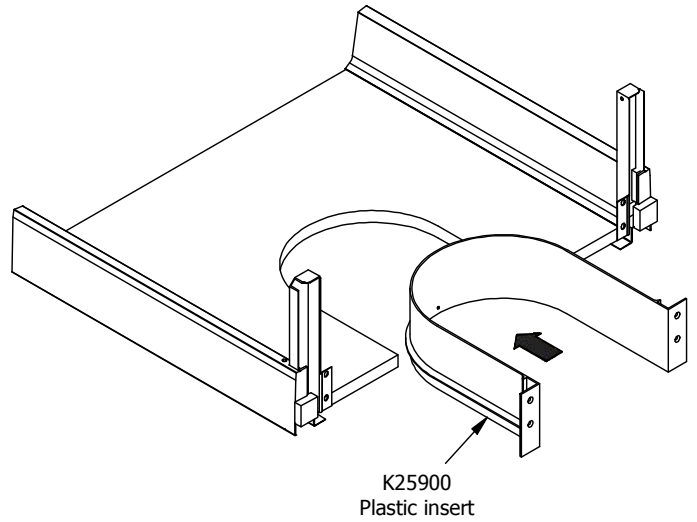
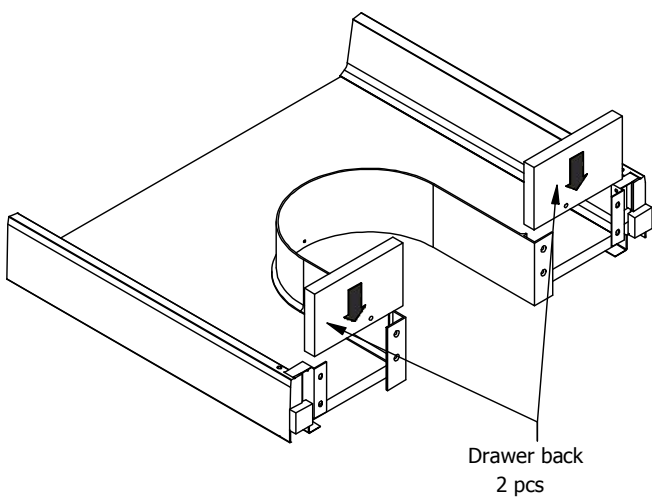


FIG. 4

Drawer Low



Drawer high with railing

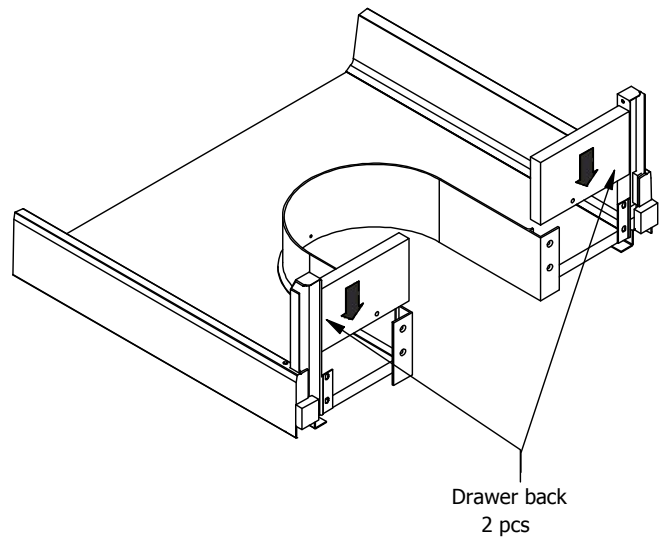
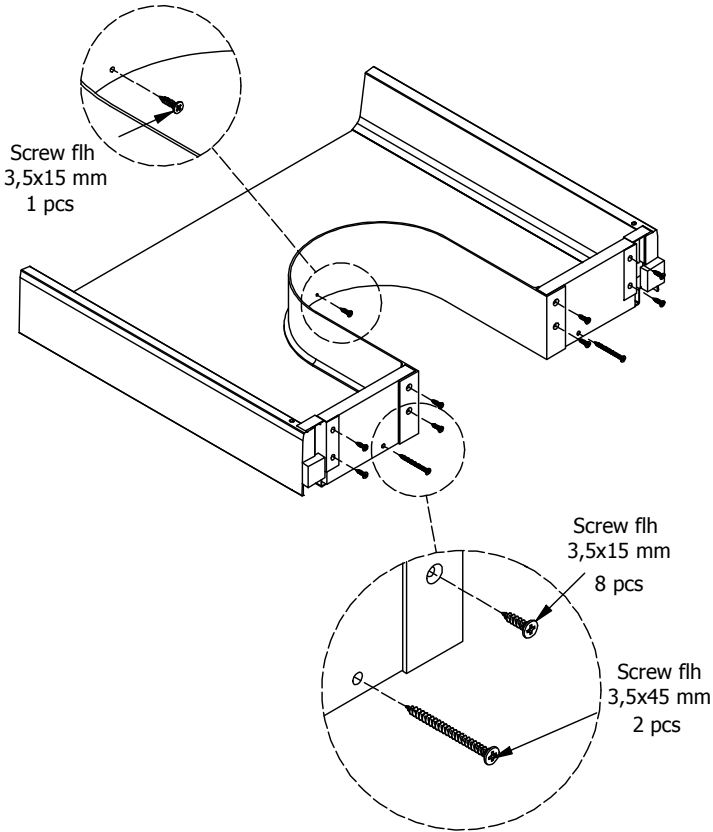


FIG. 5

Drawer Low



Drawer high with railing

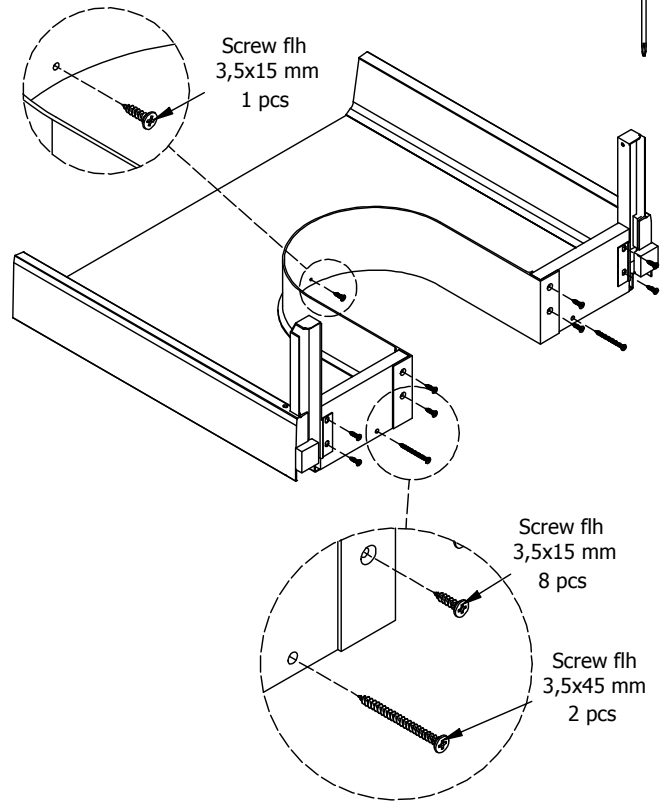
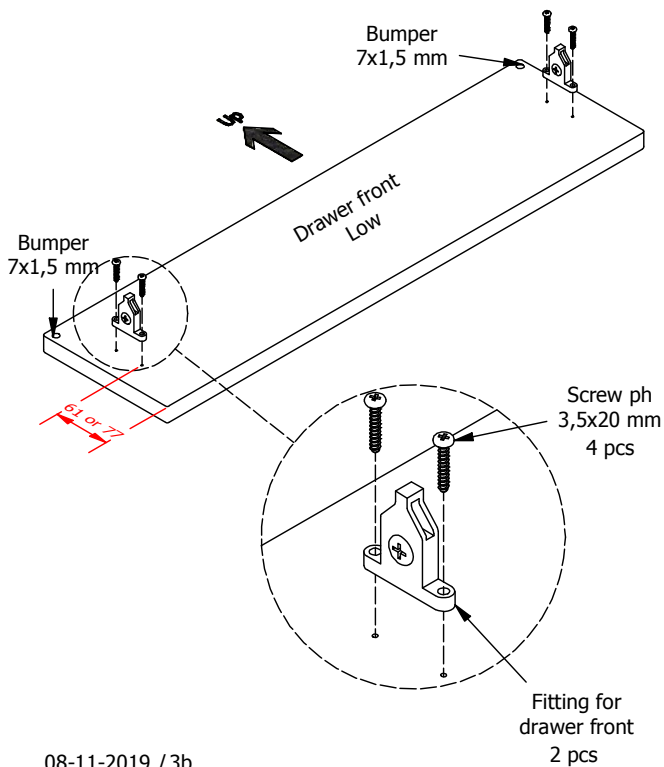


FIG. 6

60 cm

Drawer Low



Drawer high with railing

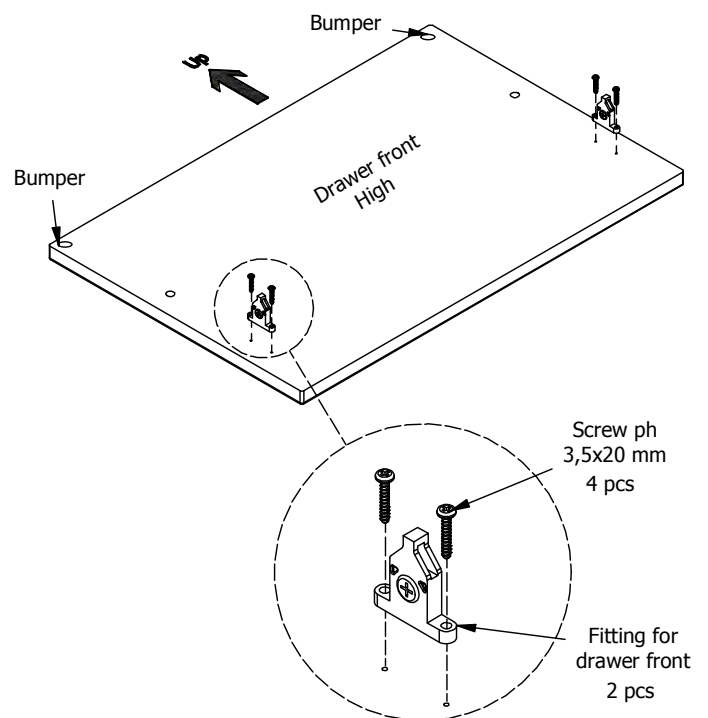
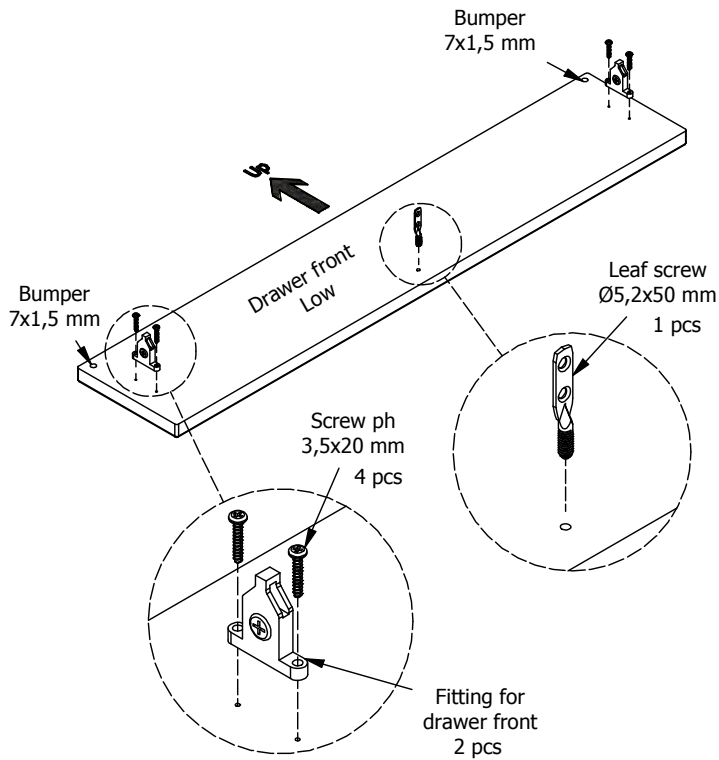


FIG. 7

80-120 cm

**Drawer Low**



**Drawer high with railing**

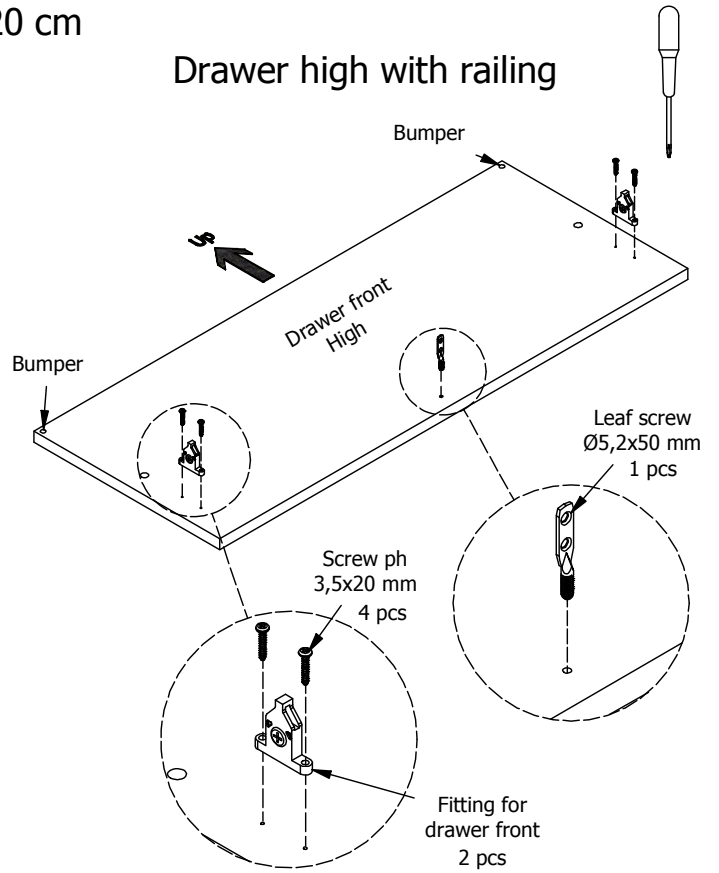


FIG. 8

**Drawer high with railing**

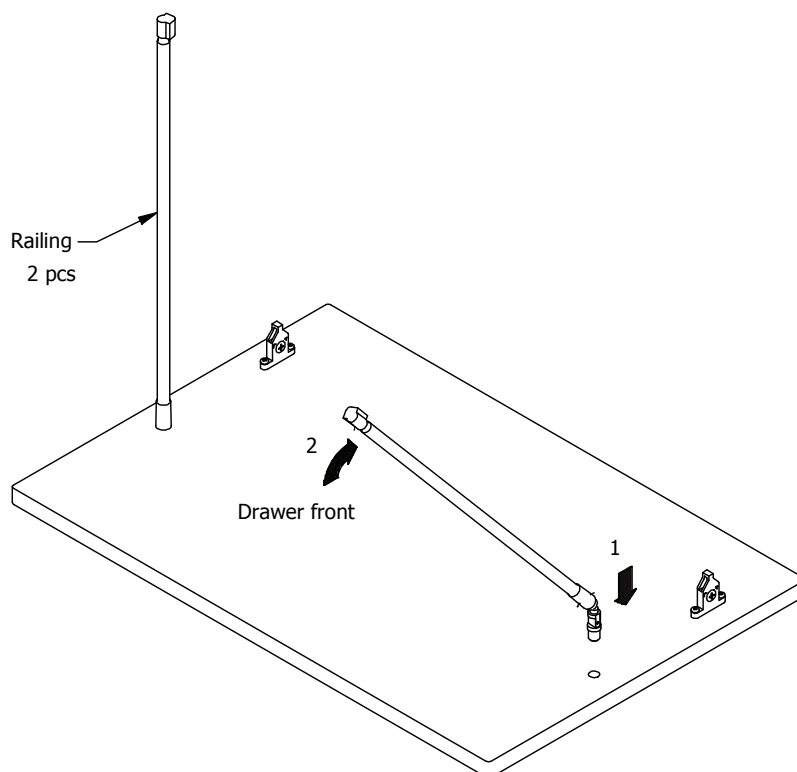
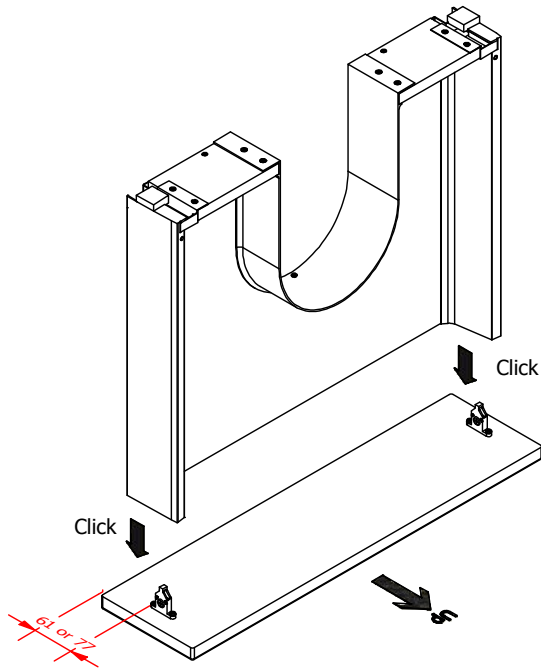


FIG. 9  
**Drawer Low**



**Drawer high with rail**

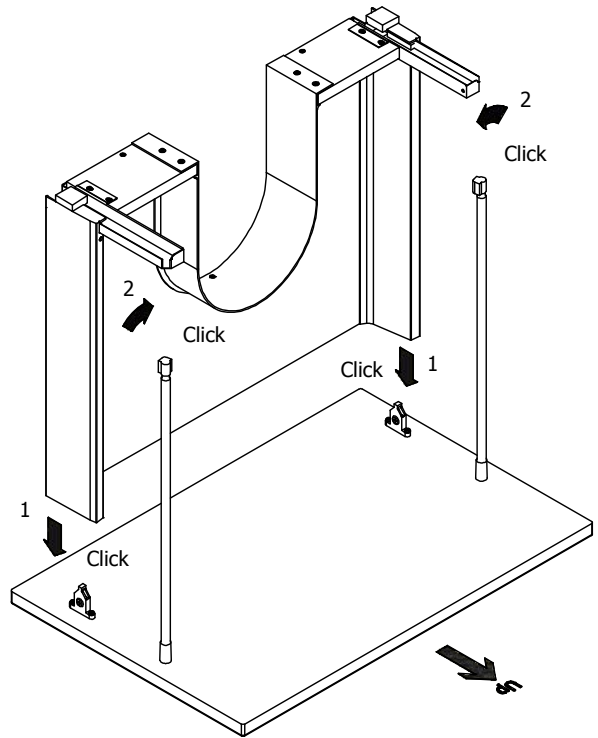


FIG. 10

**Adjustment**

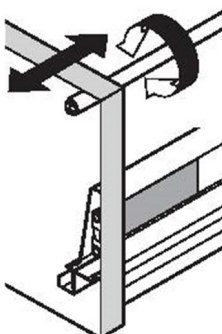
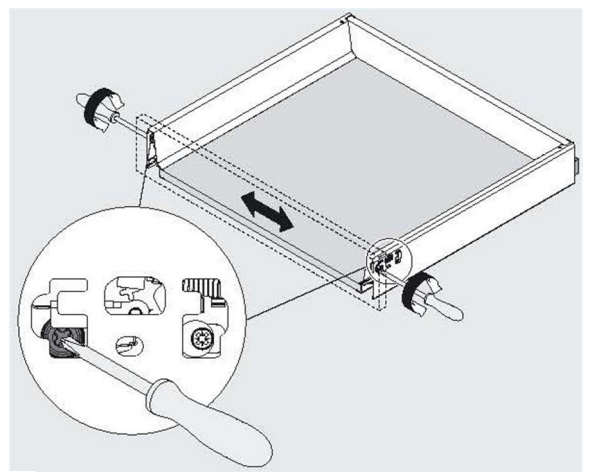
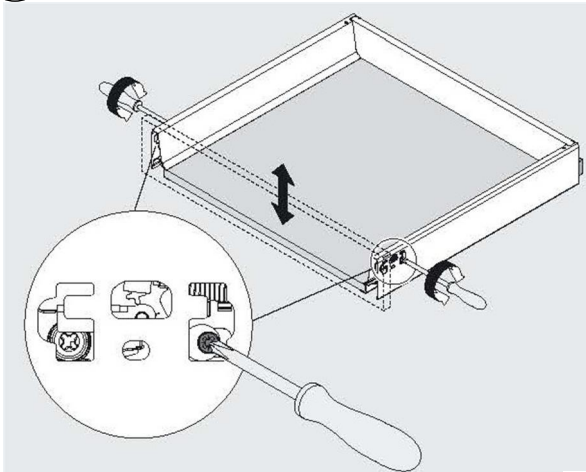
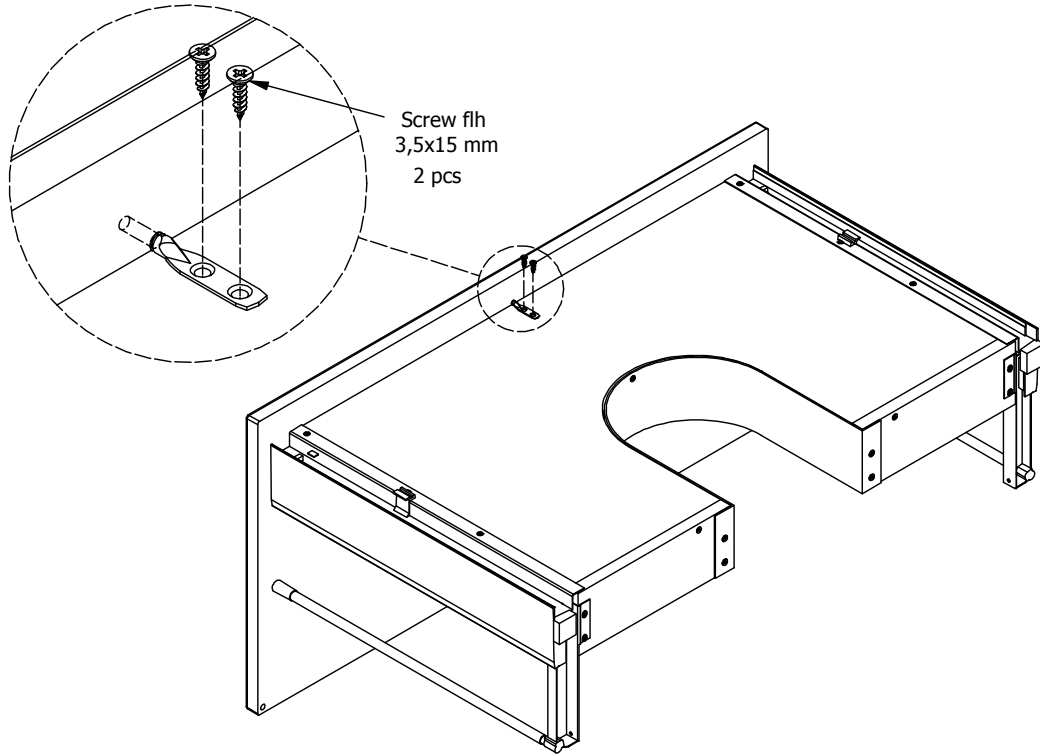


FIG. 11

80-120cm



**\* Important - These screws locks for further adjustment**

FIG. 12

