

kvik 

Drawer Design High Low

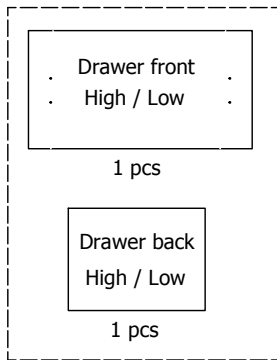
K15660, K15650
K15670, K15680
K15690

MAX  30 kg

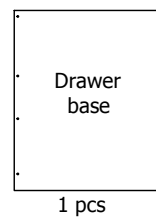
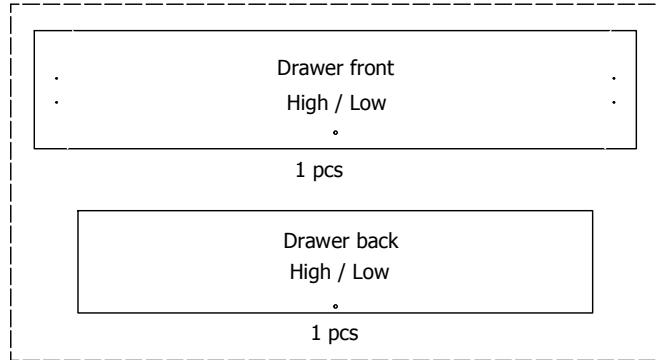
K15700, K15710

MAX  50 kg

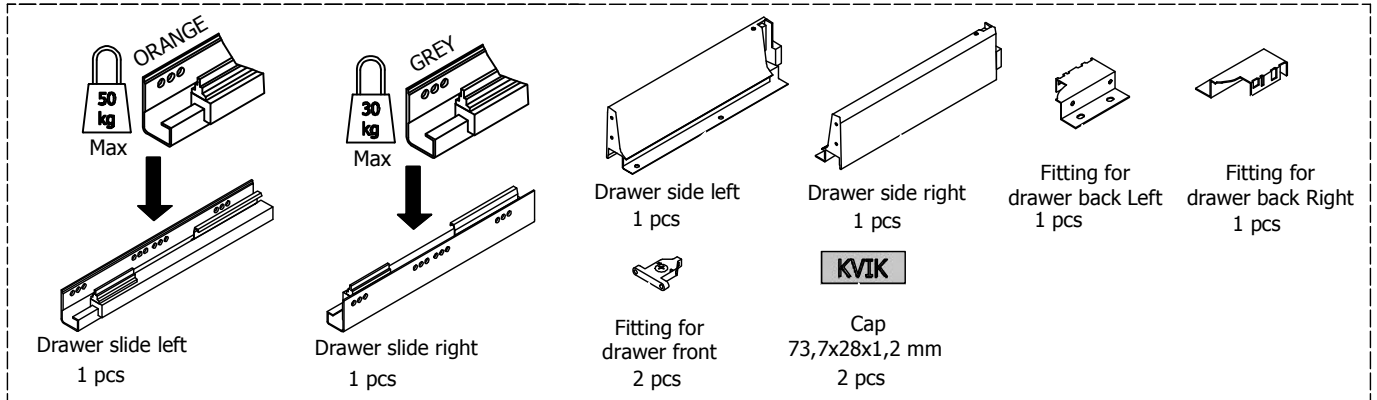
30-60 cm



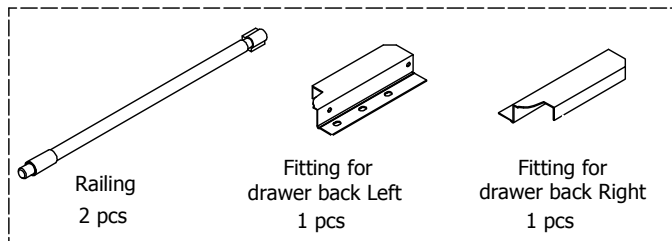
80-120 cm



Drawer high with railing / Drawer Low



Drawer high with railing



Fitting bag

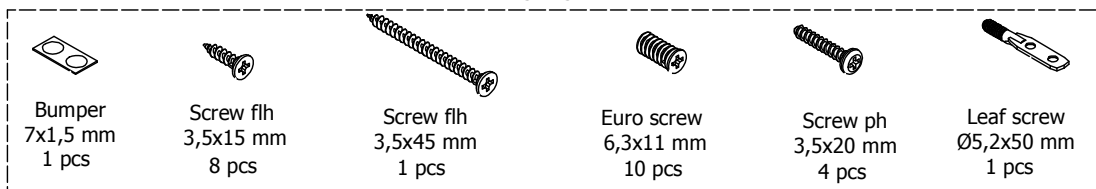
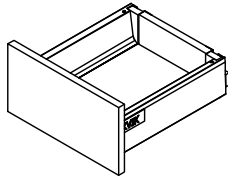


FIG. 1

Drawer Low



Drawer high with railing

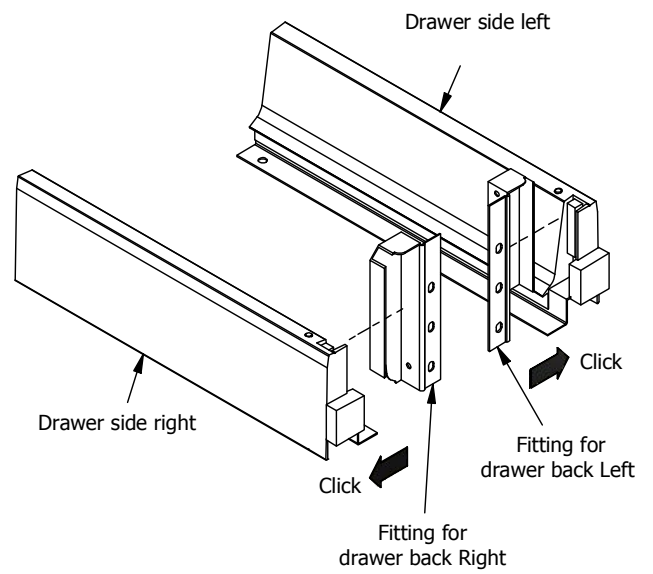
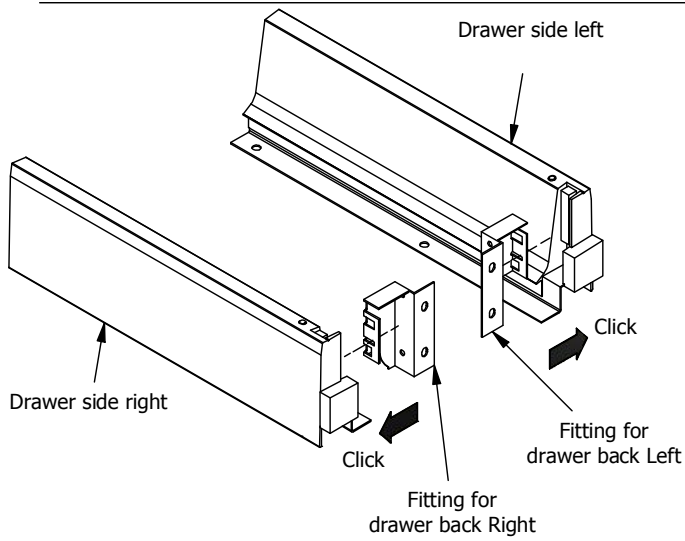
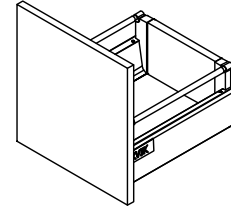


FIG. 2

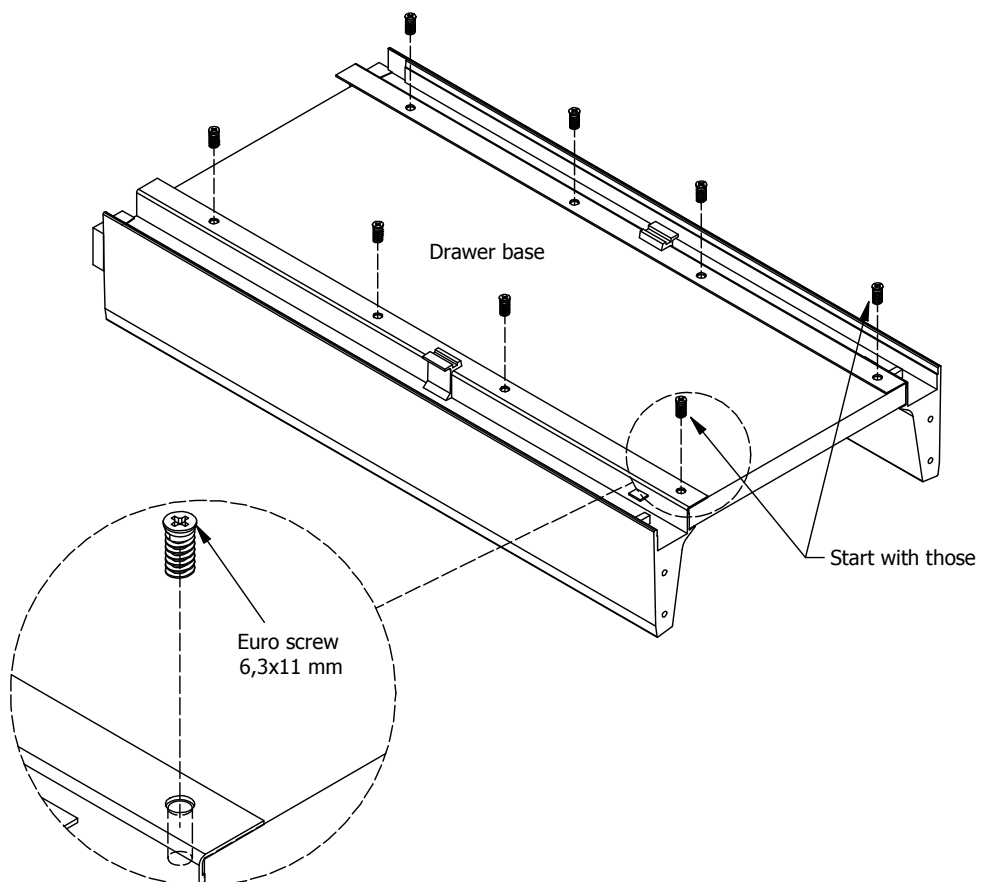
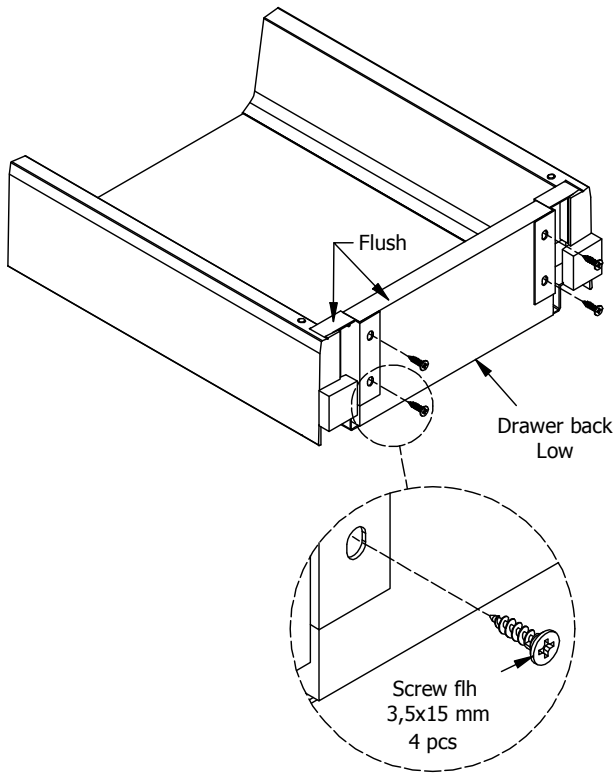


FIG. 3

30-50 cm

Drawer Low



Drawer high with railing

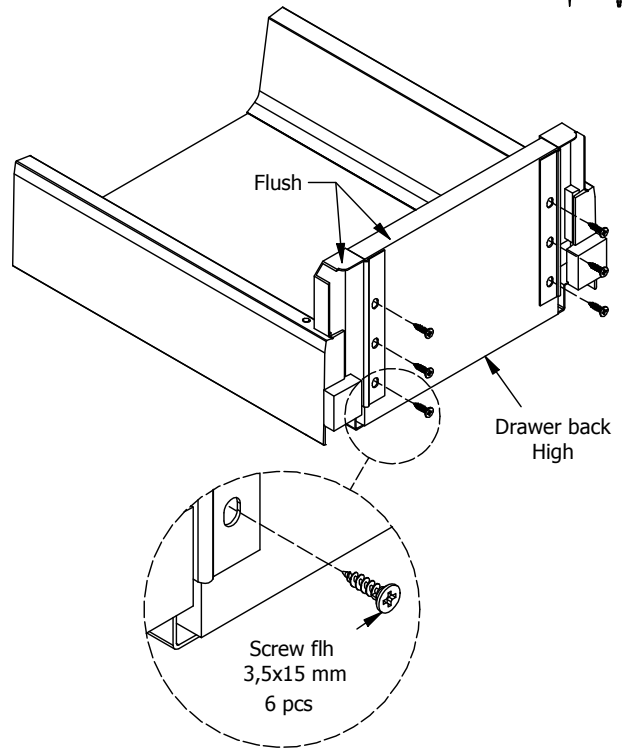
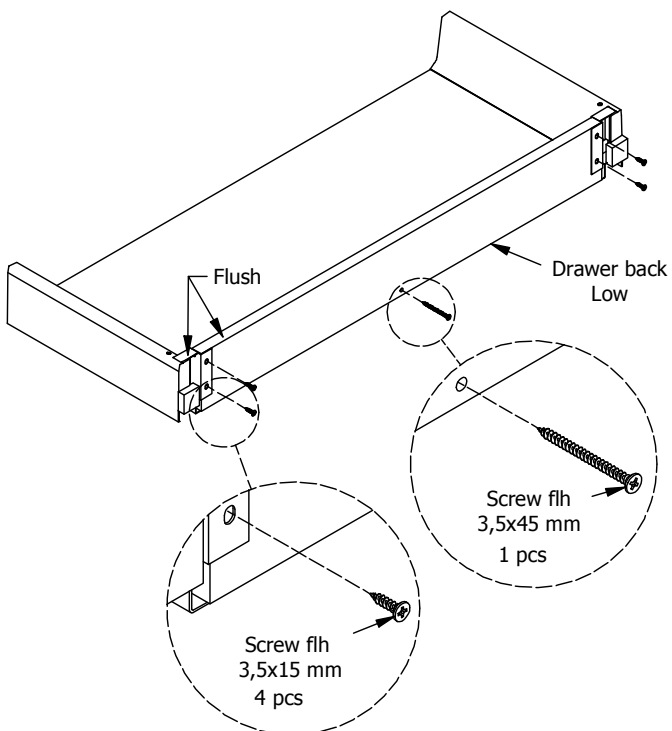


FIG. 4

60-120 cm

Drawer Low



Drawer high with railing

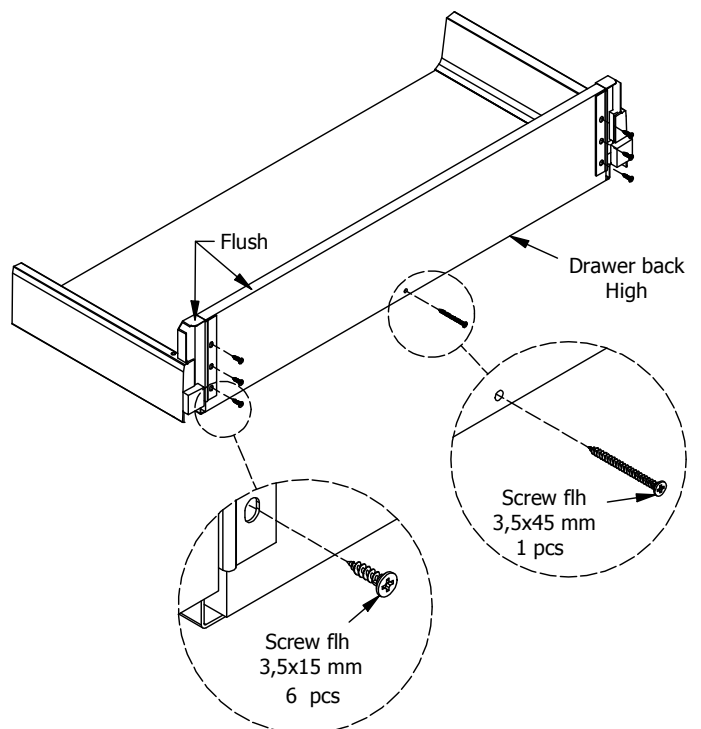
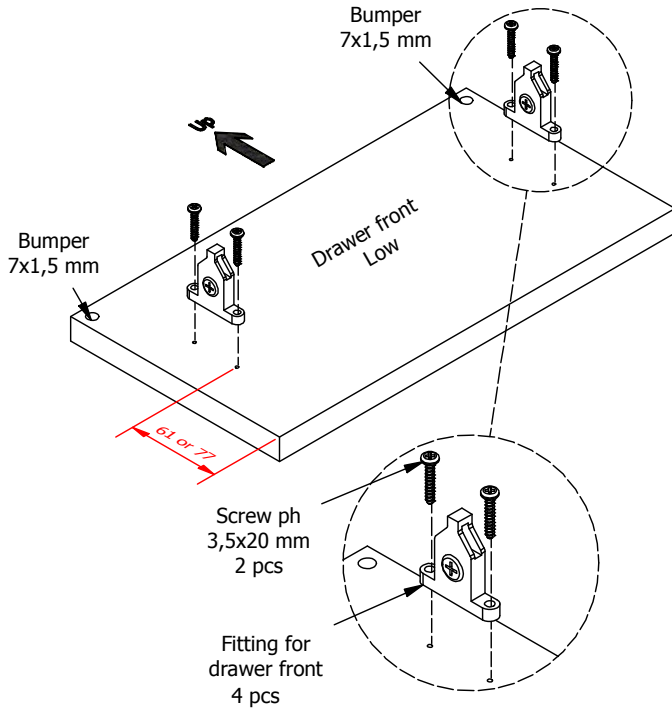


FIG. 5

30-60 cm

Drawer Low



Drawer high with railing

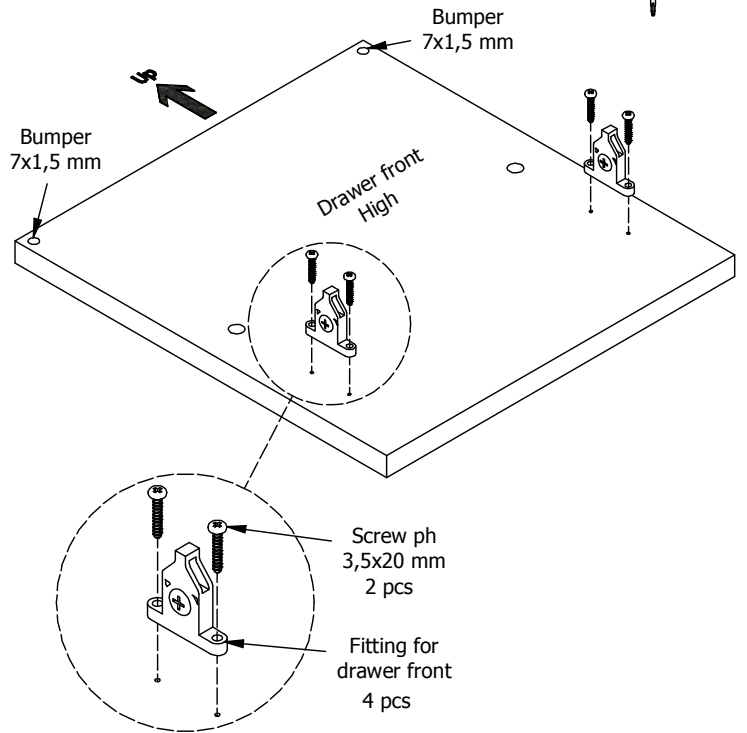
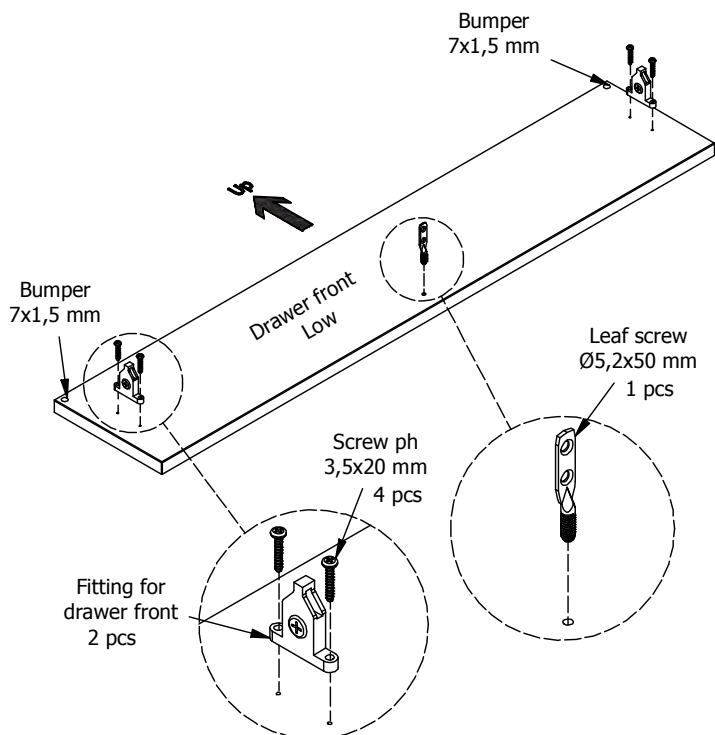


FIG. 6

80-120 cm

Drawer Low



Drawer high with railing

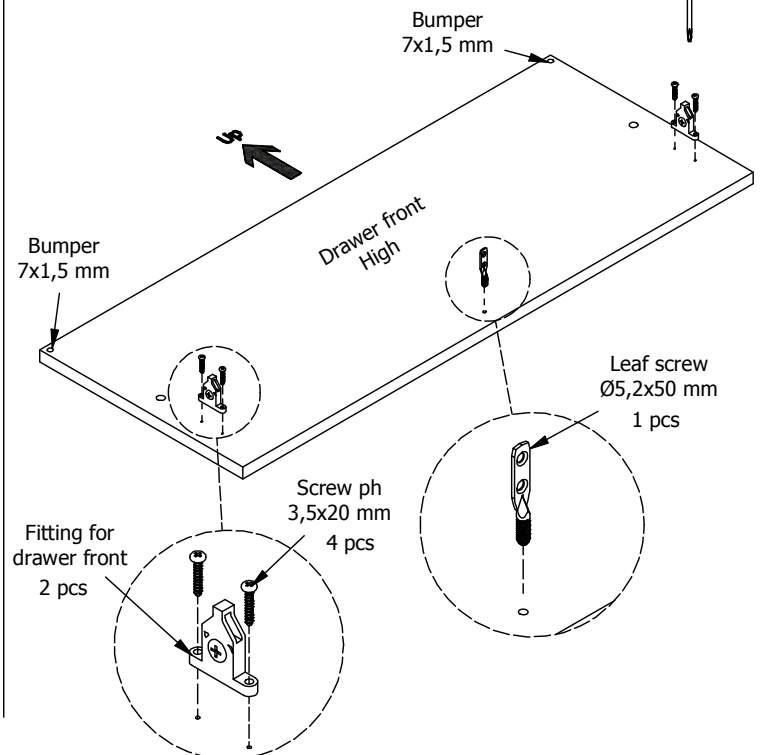


FIG. 7

Drawer high with railing

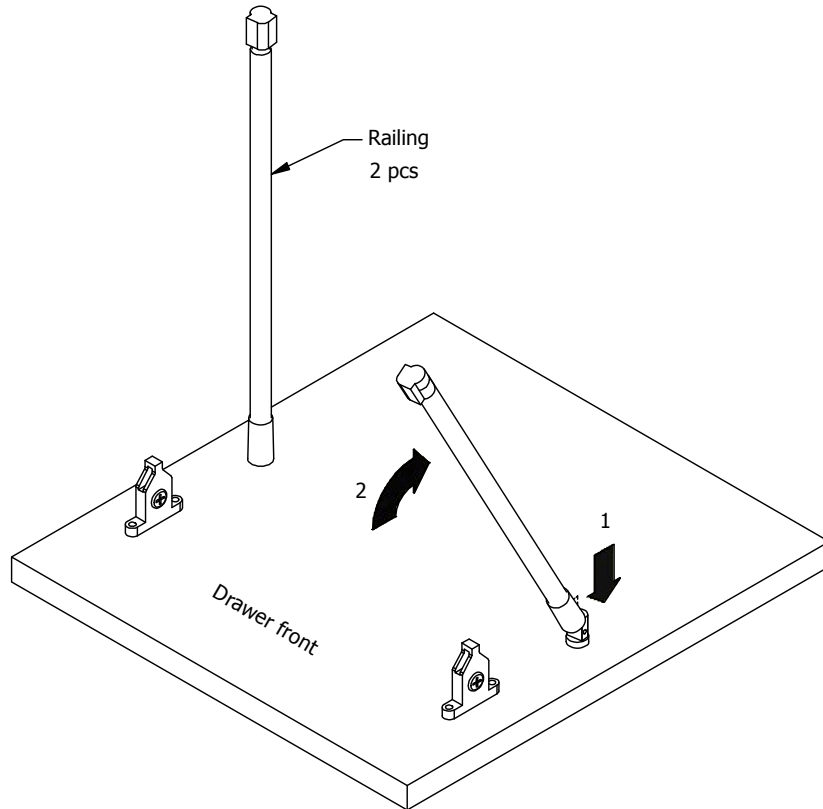
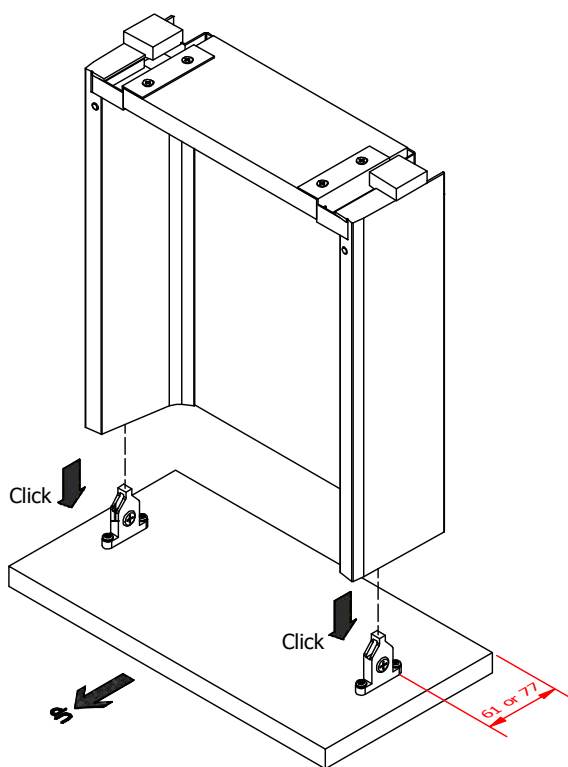


FIG. 8

Drawer Low



Drawer high with railing

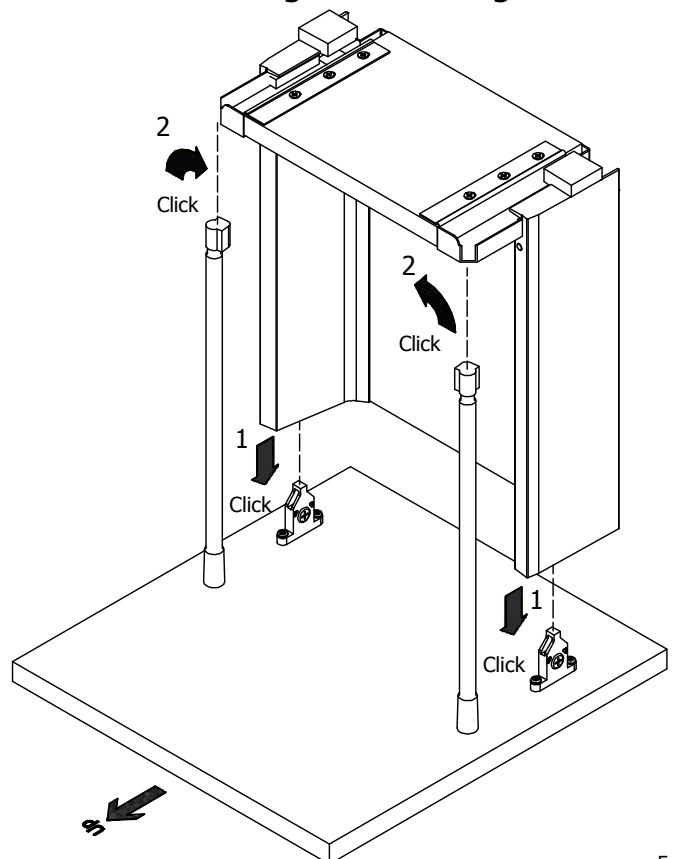


FIG.
9

Adjustment

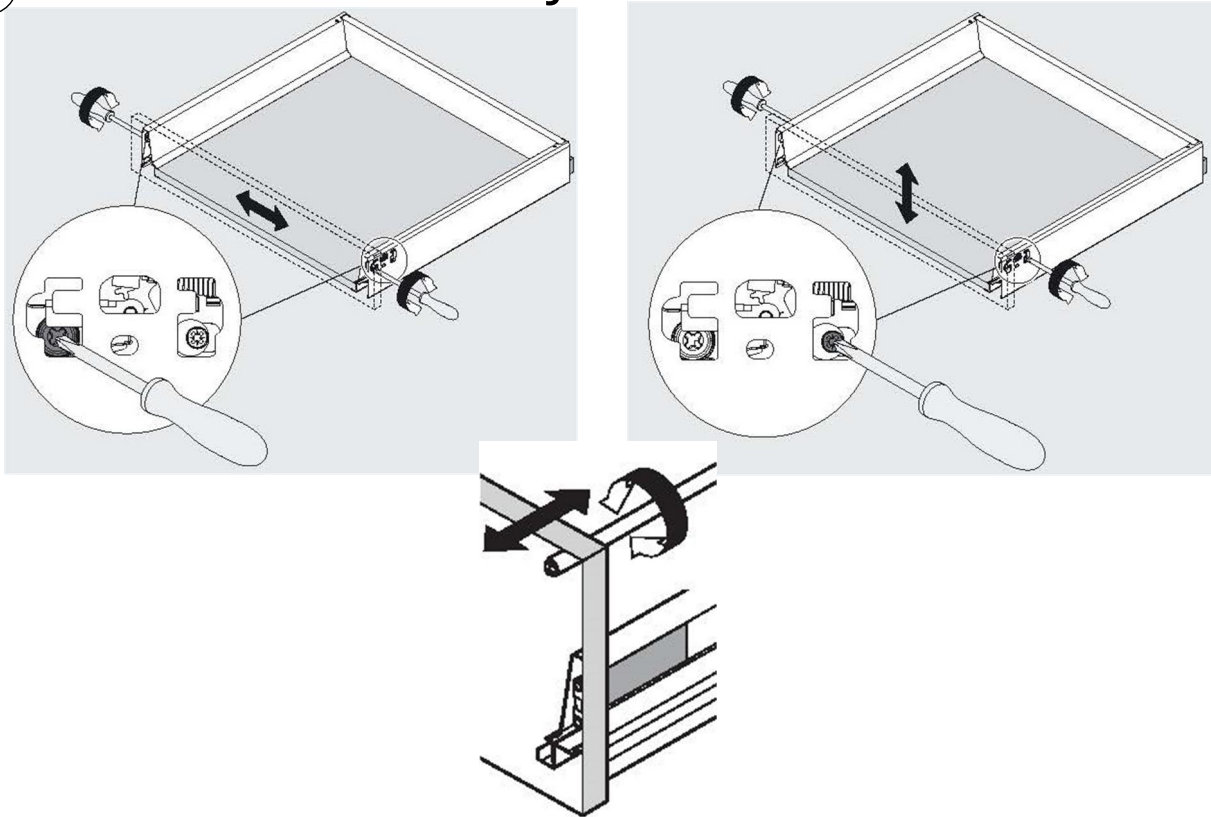


FIG.
10

80-120 cm

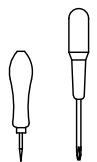
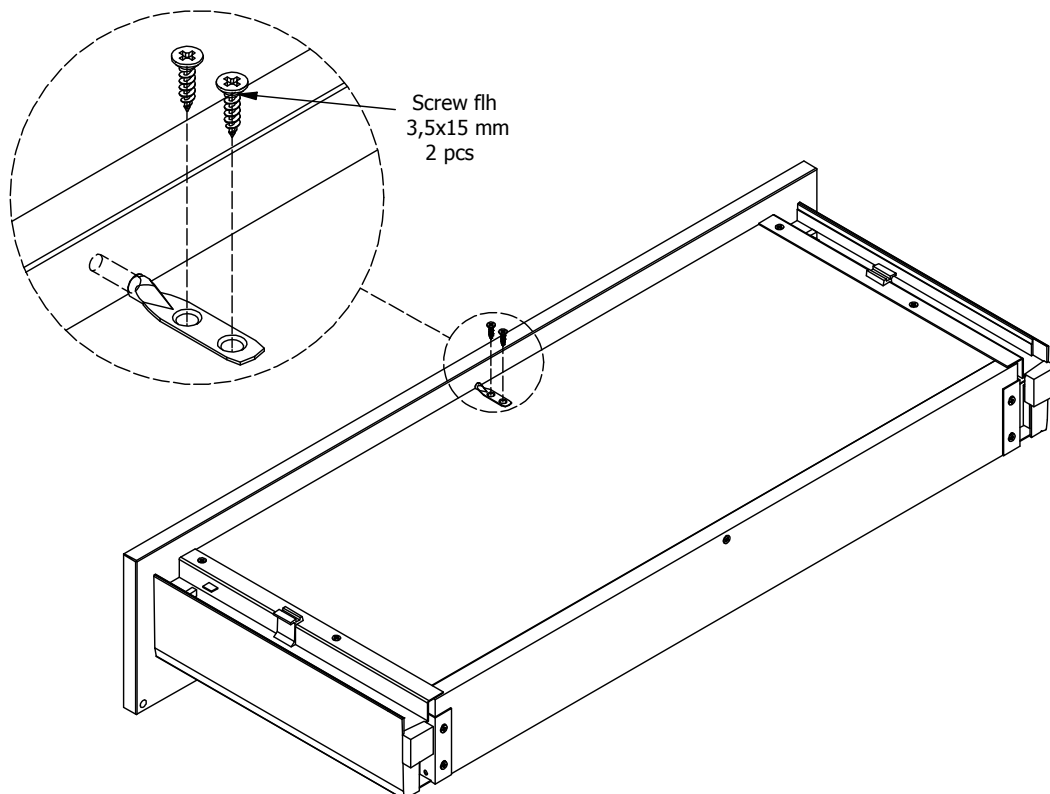


FIG.
11

