

kvik 

Drawer Design High Glass

K15695

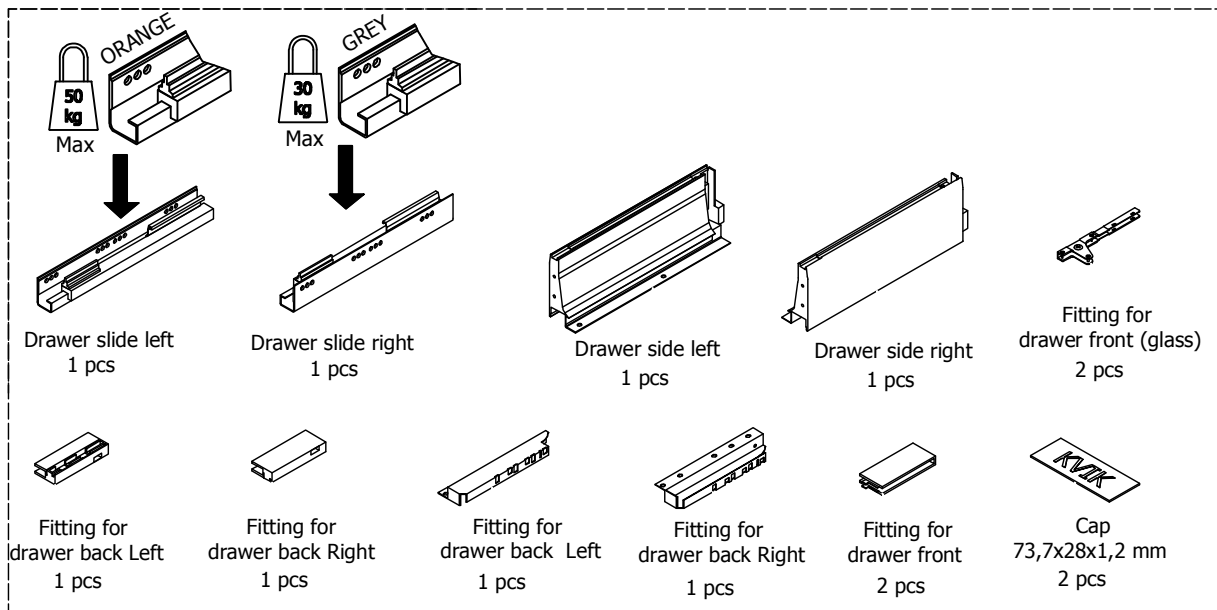
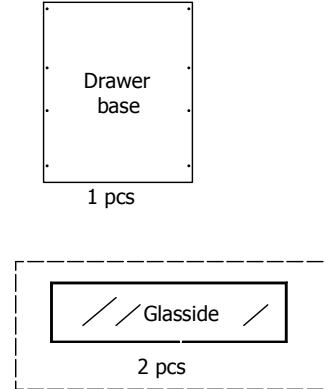
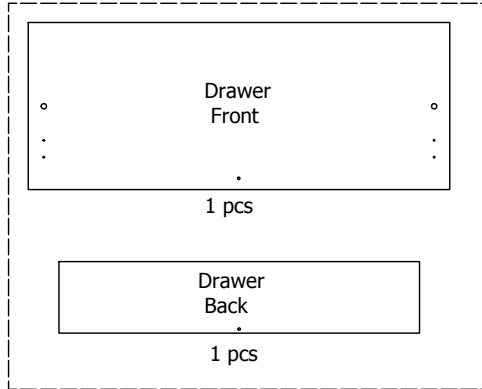
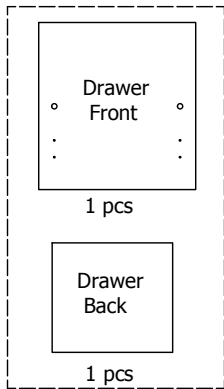
MAX  30 kg

K15705, K15715

MAX  50 kg

30-60 cm

80-120 cm



Fitting bag

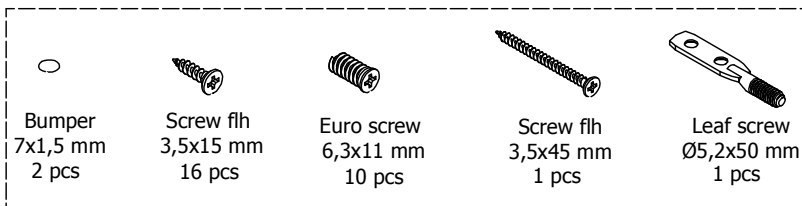


FIG.
1

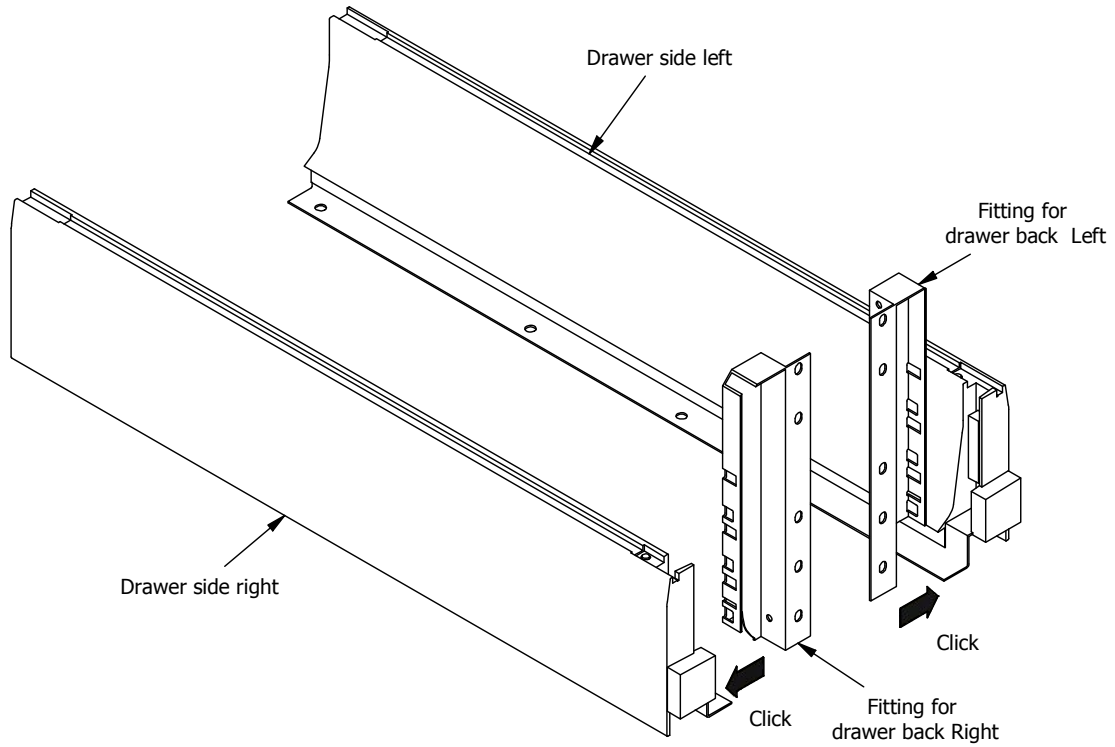


FIG.
2

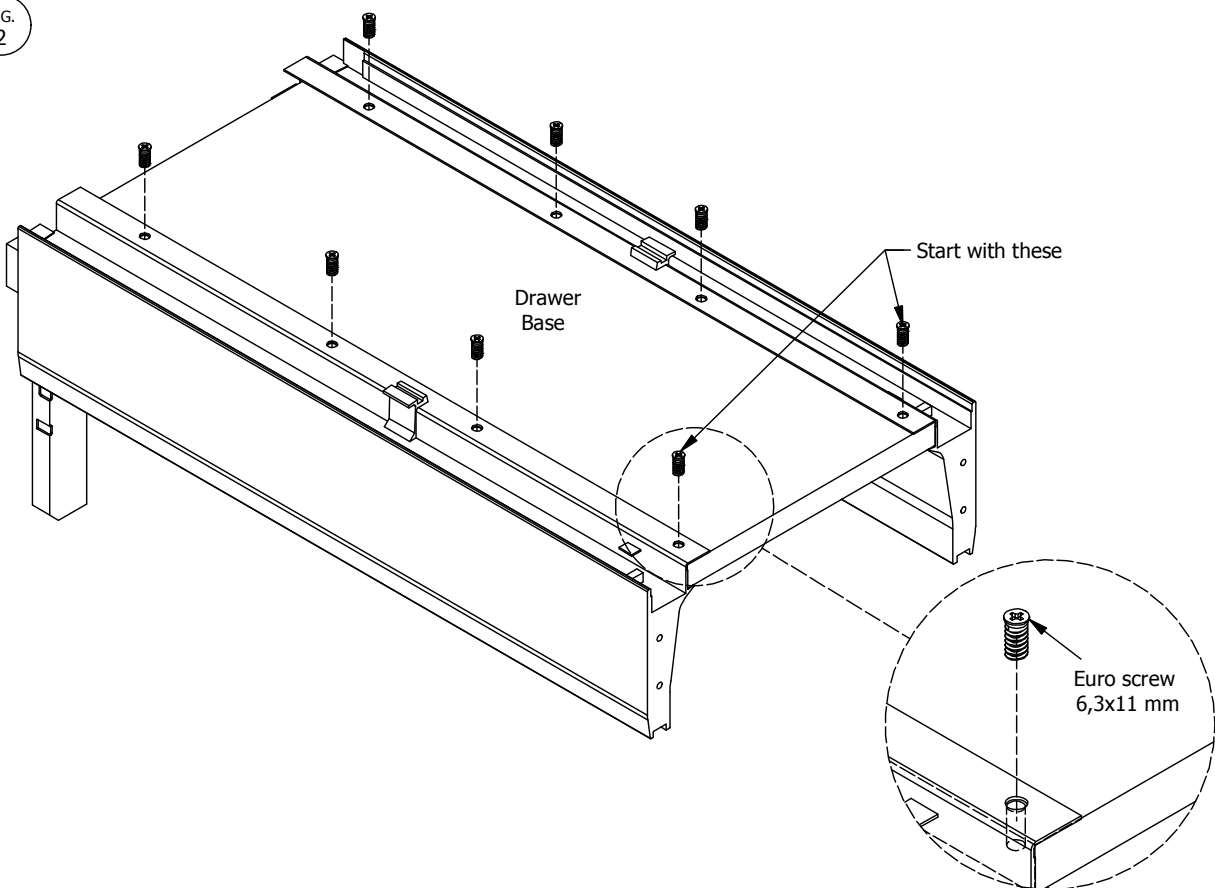


FIG. 3
30-50 cm

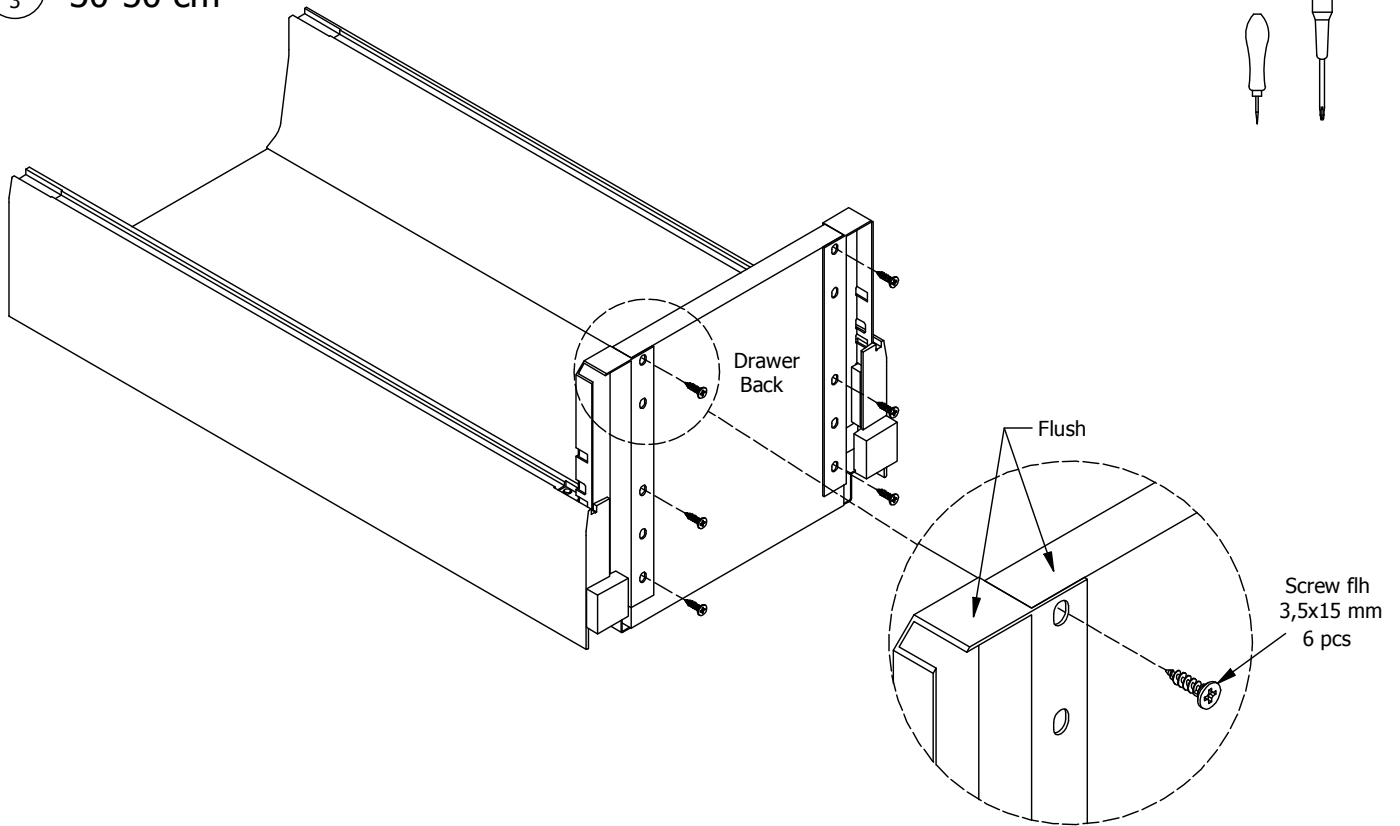


FIG. 4
60-120 cm

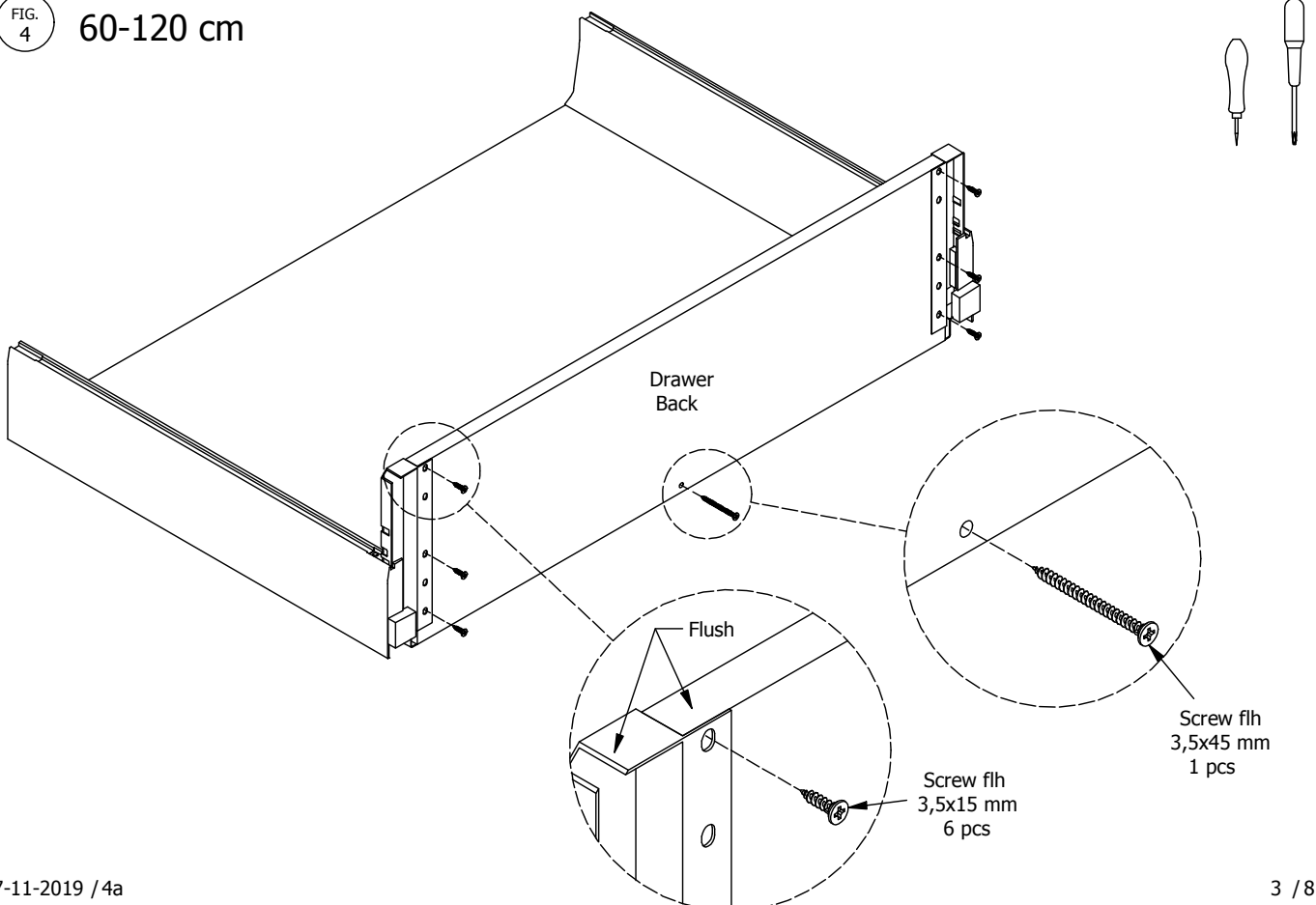


FIG. 5
30-60 cm

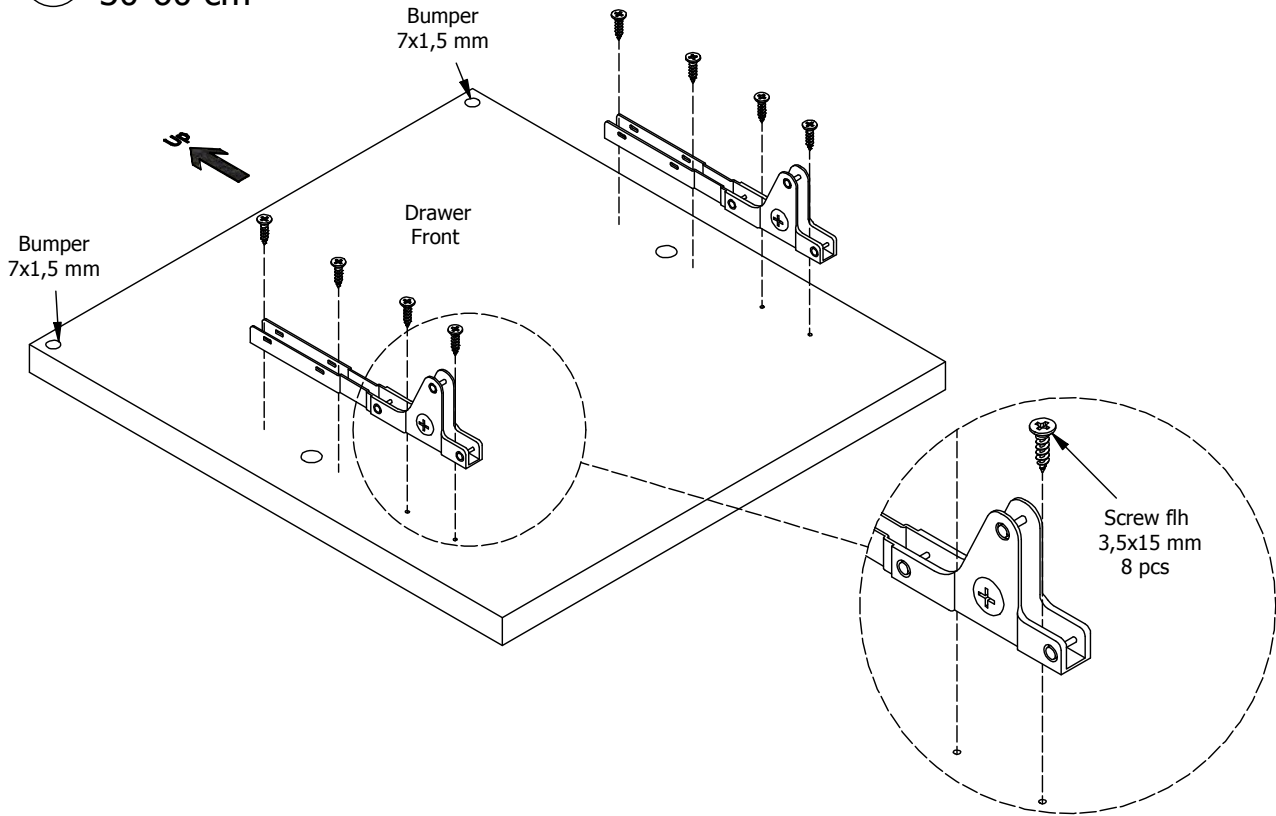


FIG. 6
80-120 cm

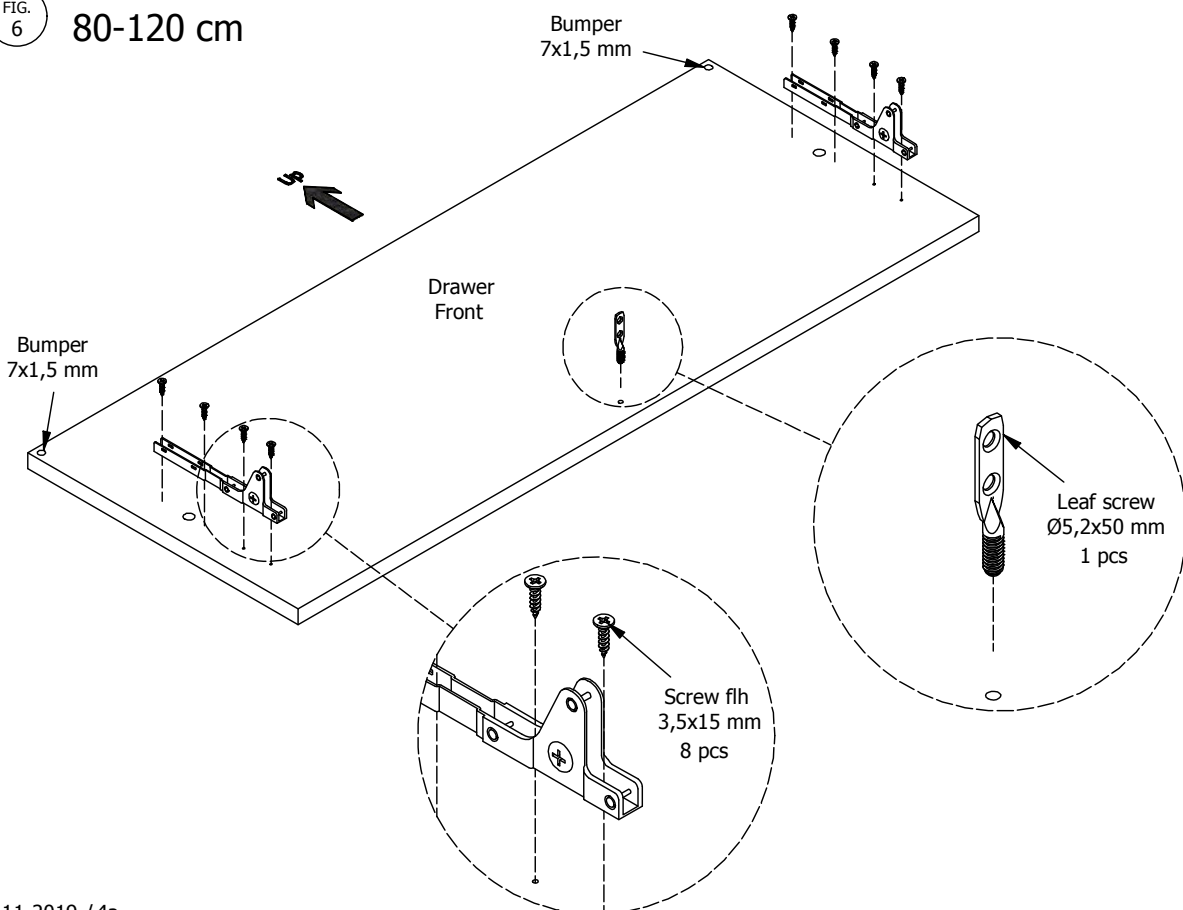


FIG.
7

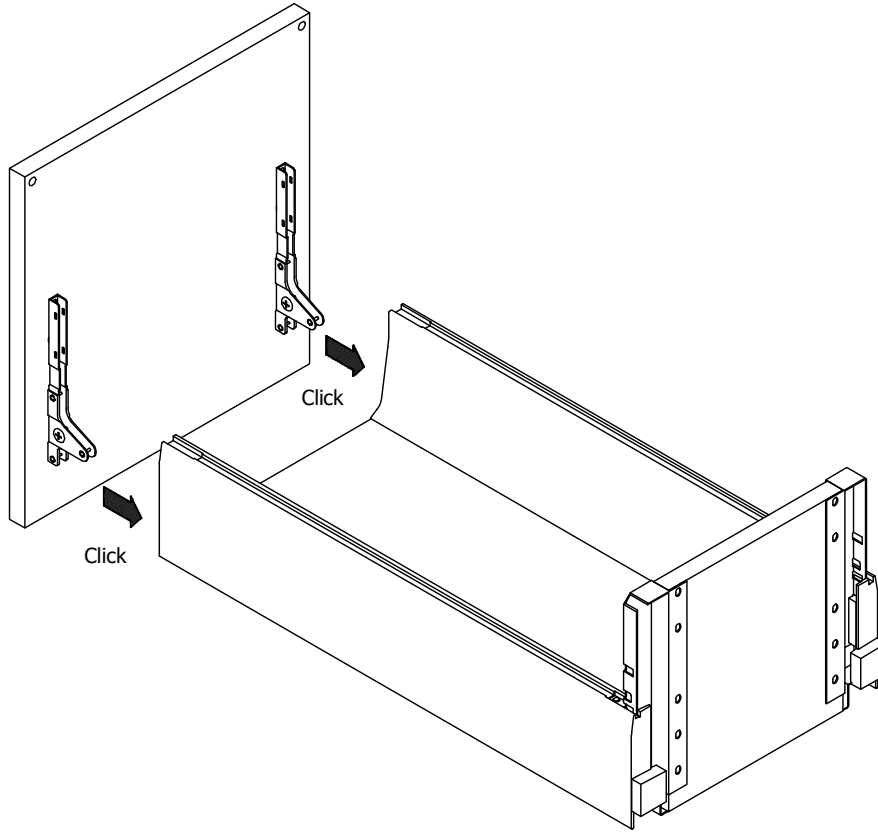


FIG.
8

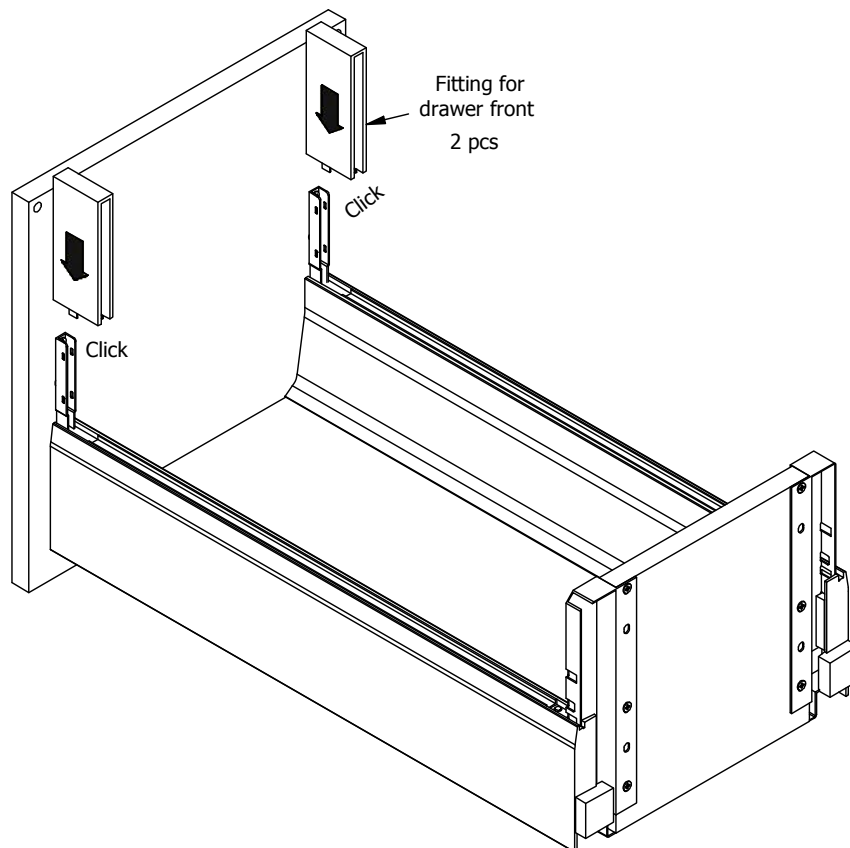


FIG.
9

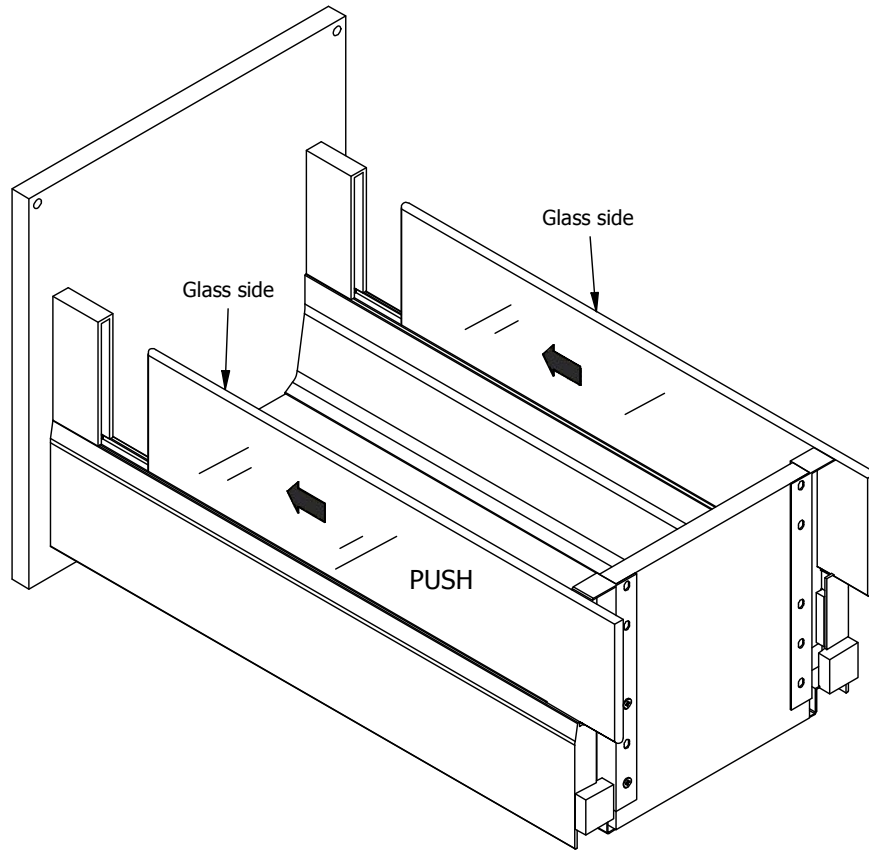


FIG.
10

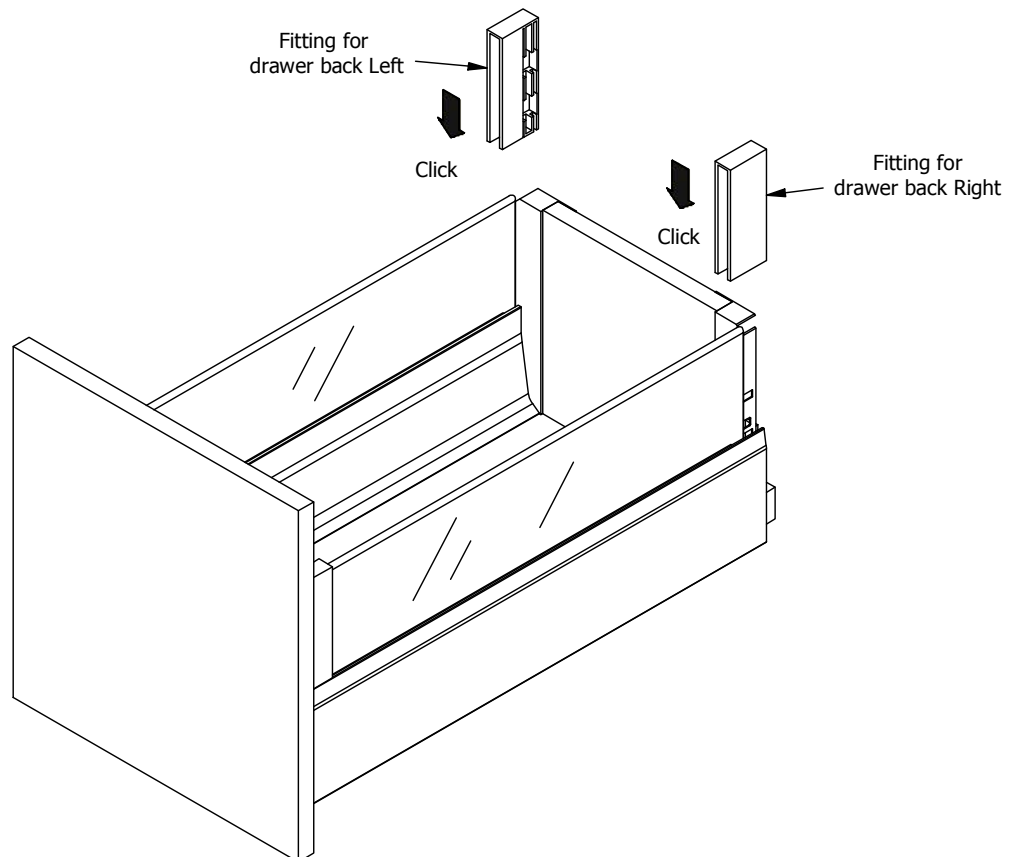
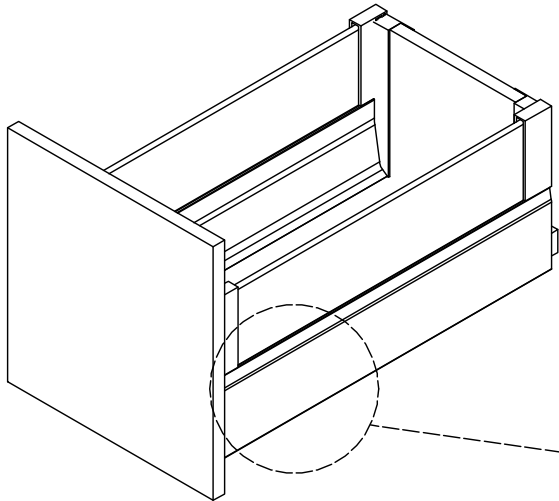


FIG.
11



Adjustment

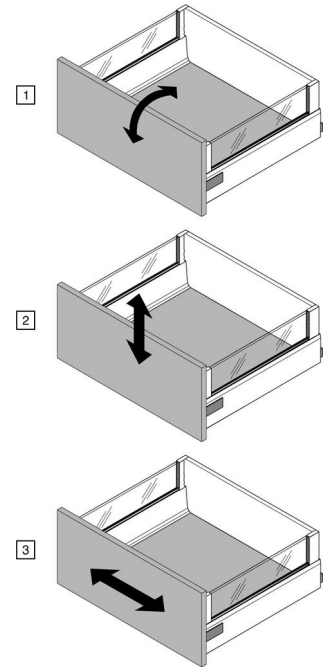
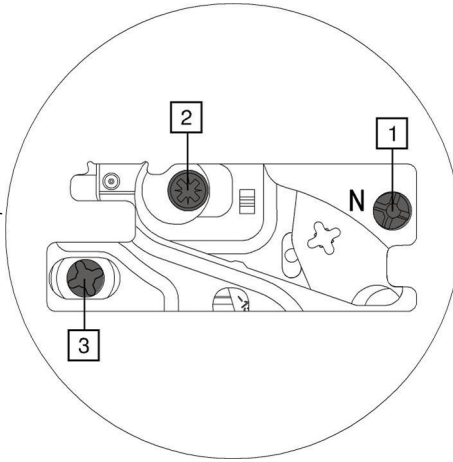
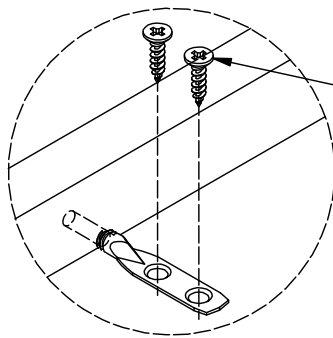
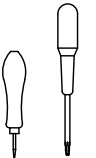
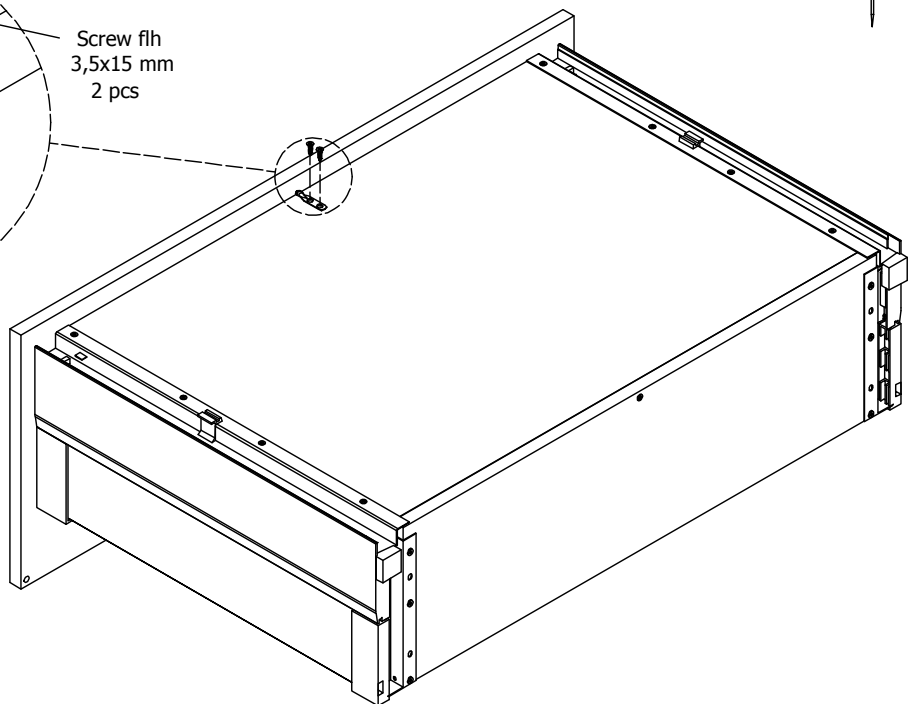


FIG.
12

80-120 cm



Screw flh
3,5x15 mm
2 pcs



*** Important - These screws locks for further adjustment**

FIG.
13

