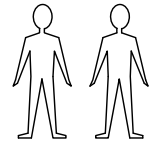


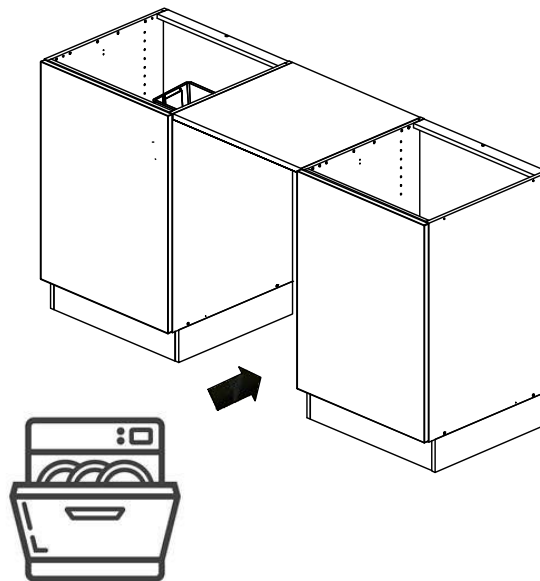
Dishwasher installation guide. D100L8364



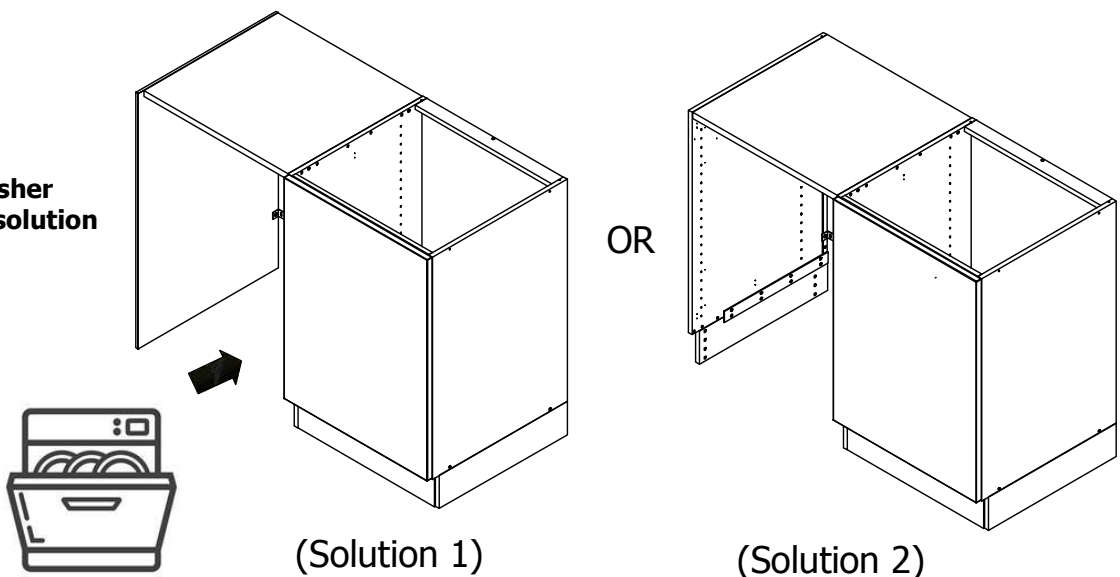
Index:

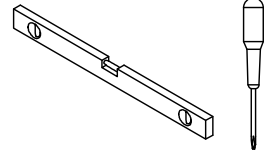
- How to prepare cabinets as mid solution? Page 2
- How to prepare cabinets as end solution? Page 3-9
- How to mount front and install the dishwasher? Page 10

**Dishwasher
as mid solution**



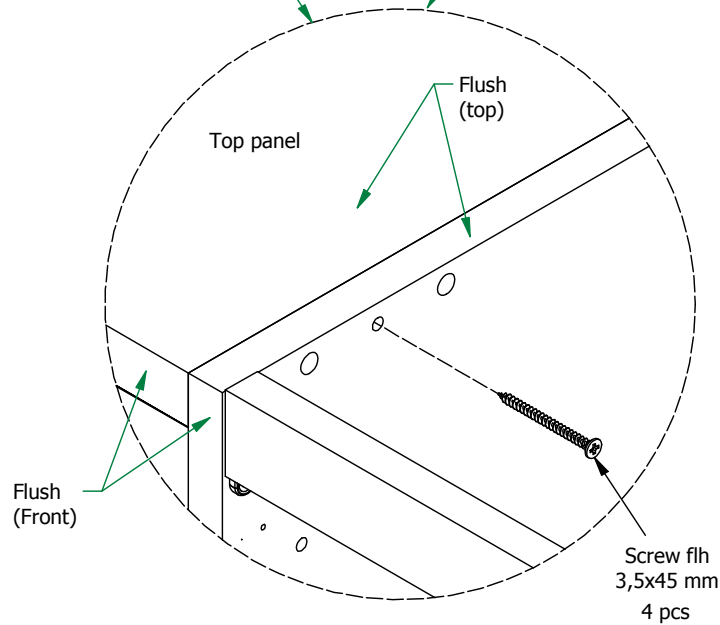
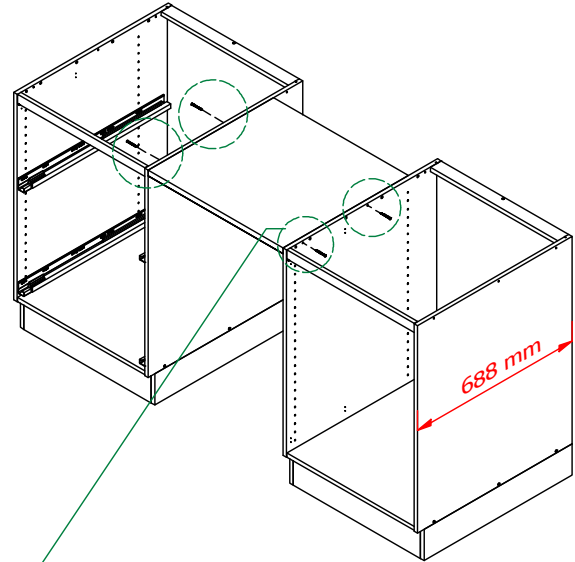
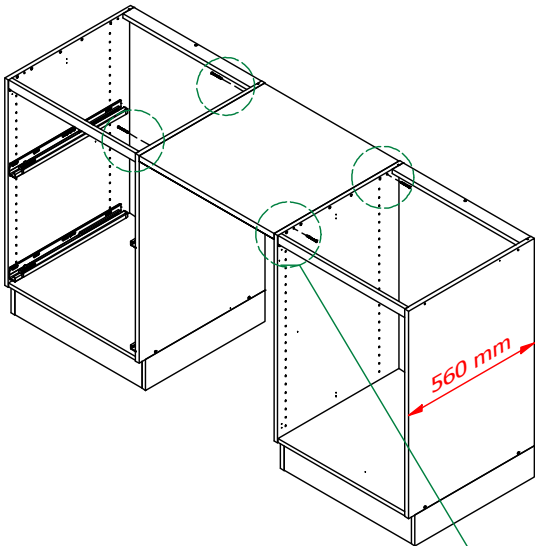
**Dishwasher
as end solution**

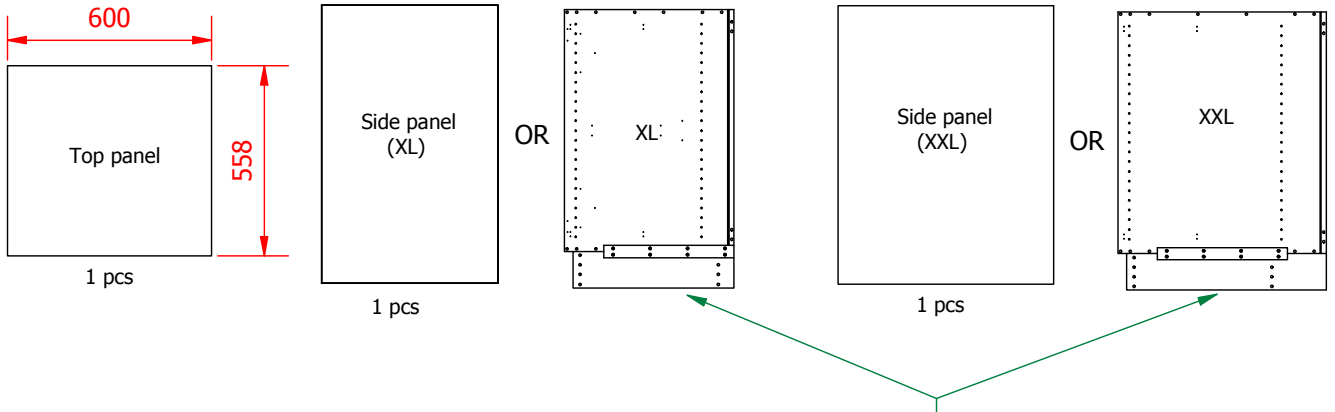




XL cabinet

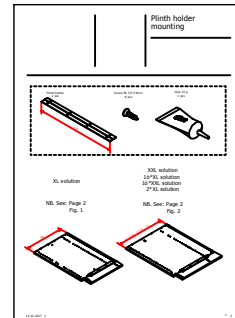
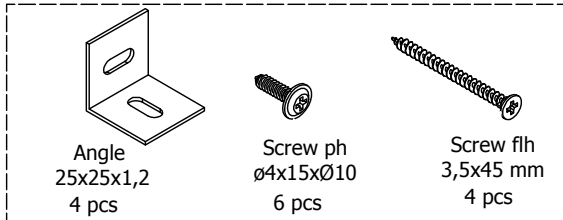
XXL cabinet





Please read instruction: Plinth holder mounting

BP00494



Tools

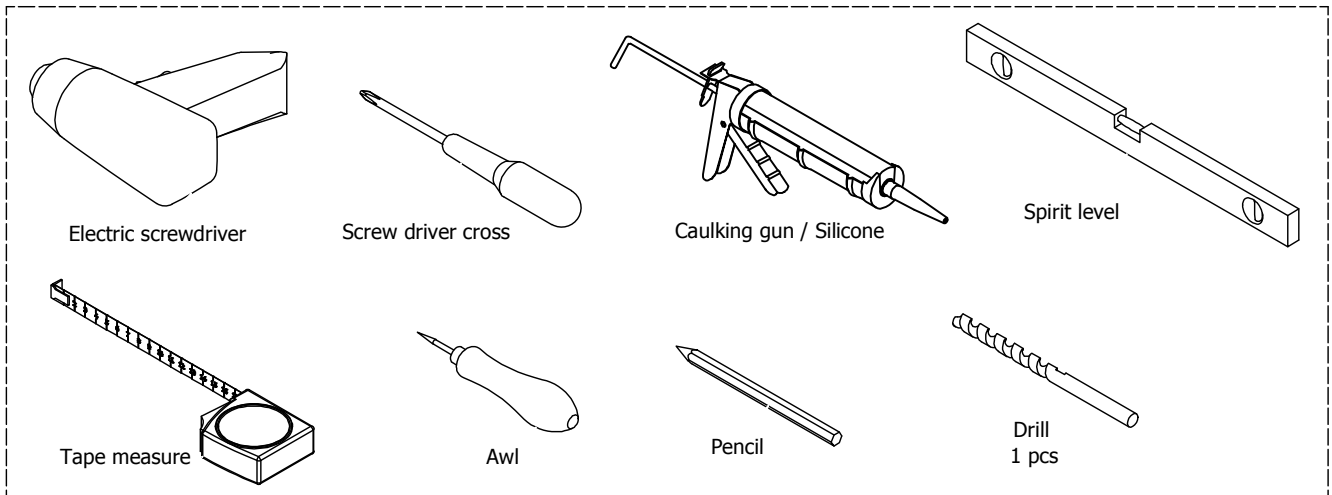


FIG. 1

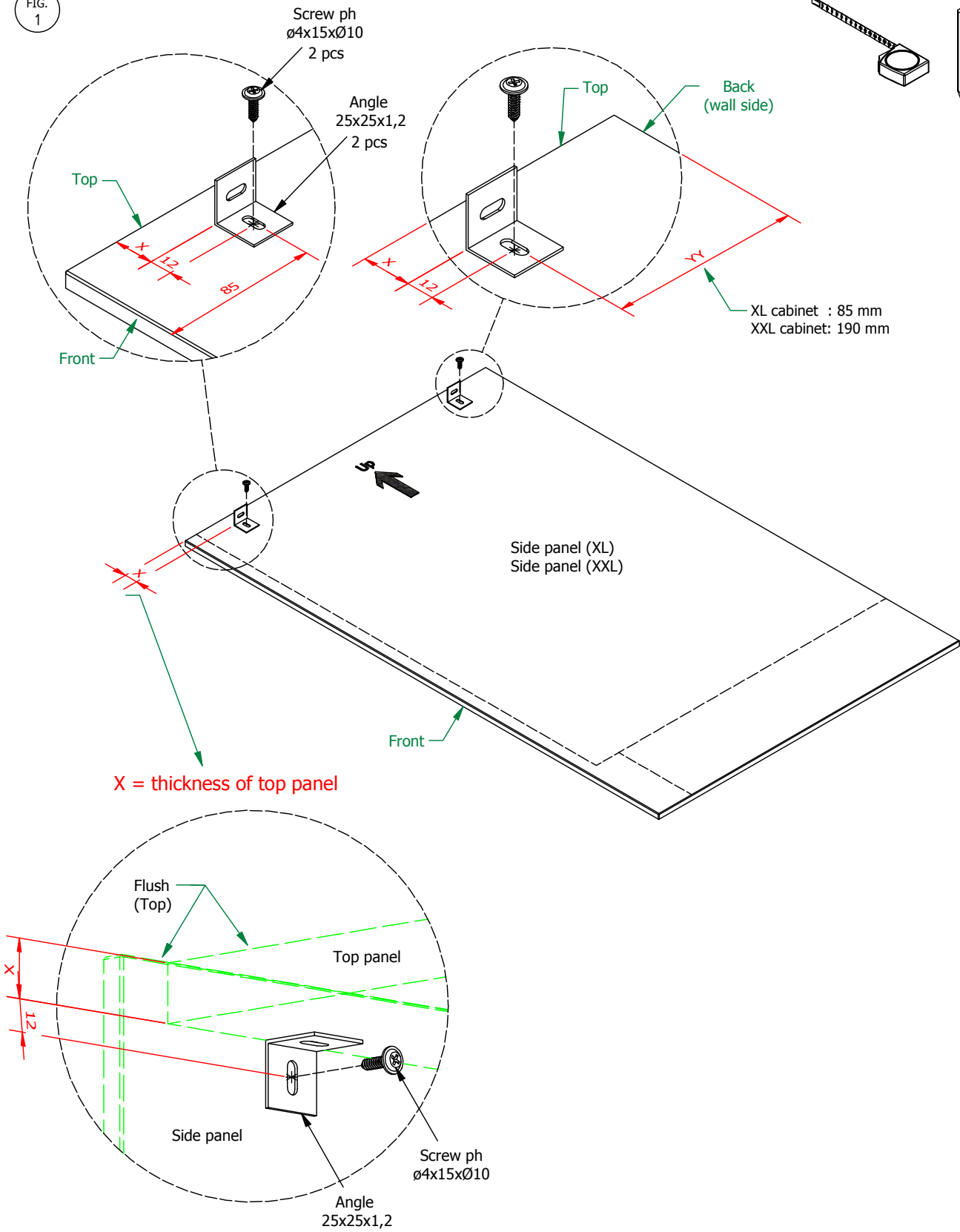
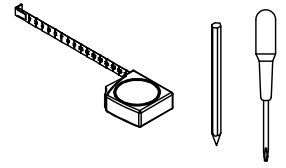


FIG. 2

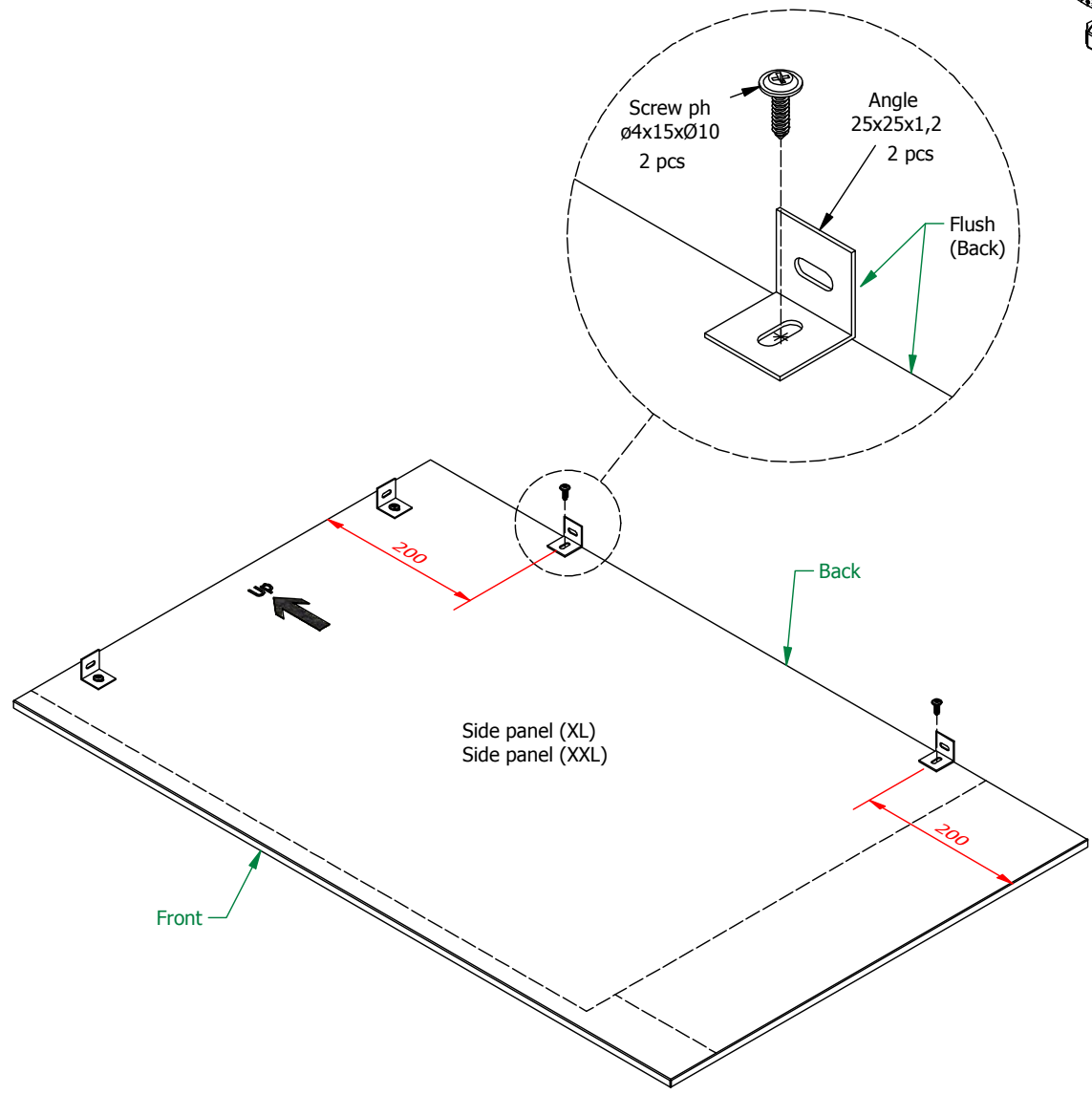
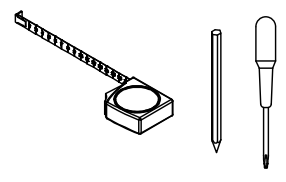
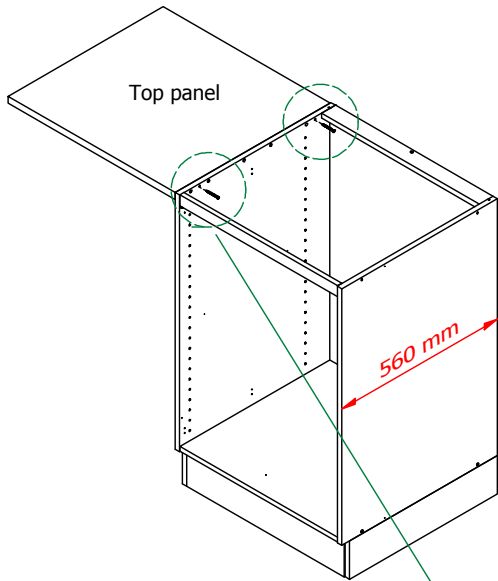


FIG. 3



XL cabinet



XXL cabinet

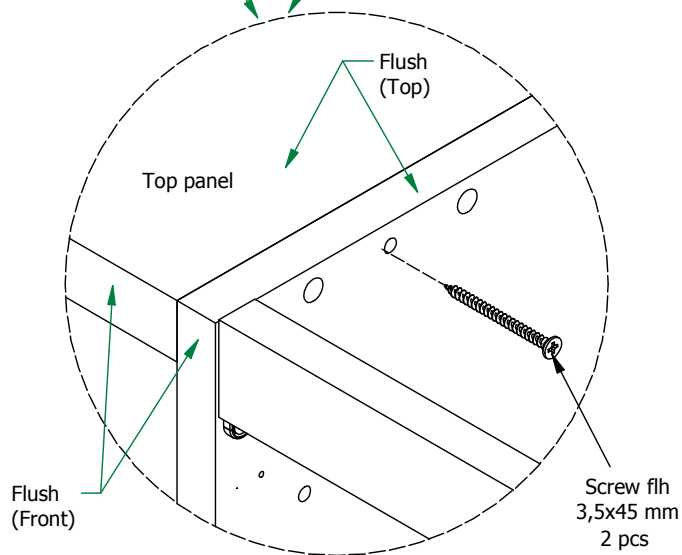
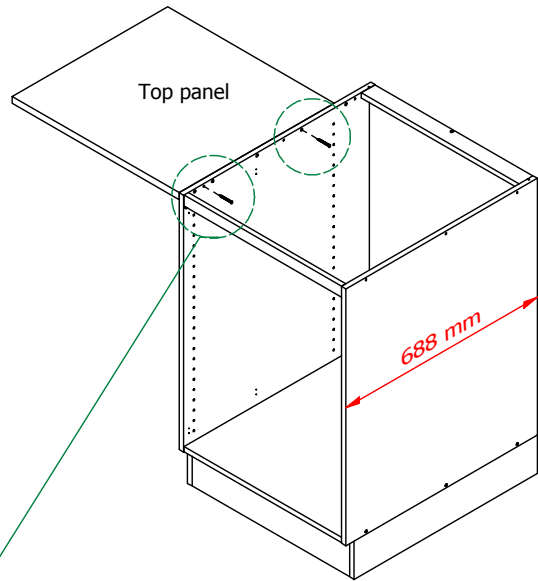
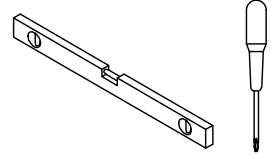
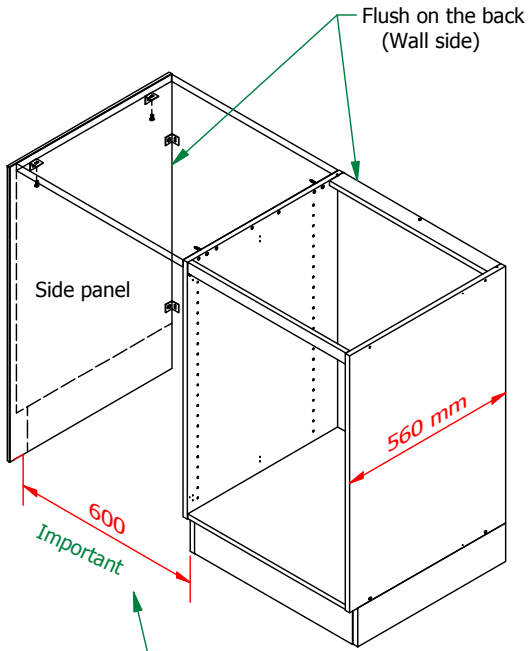


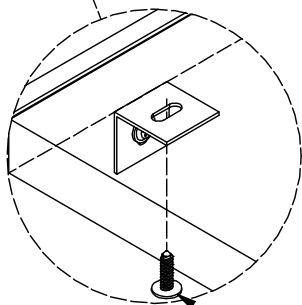
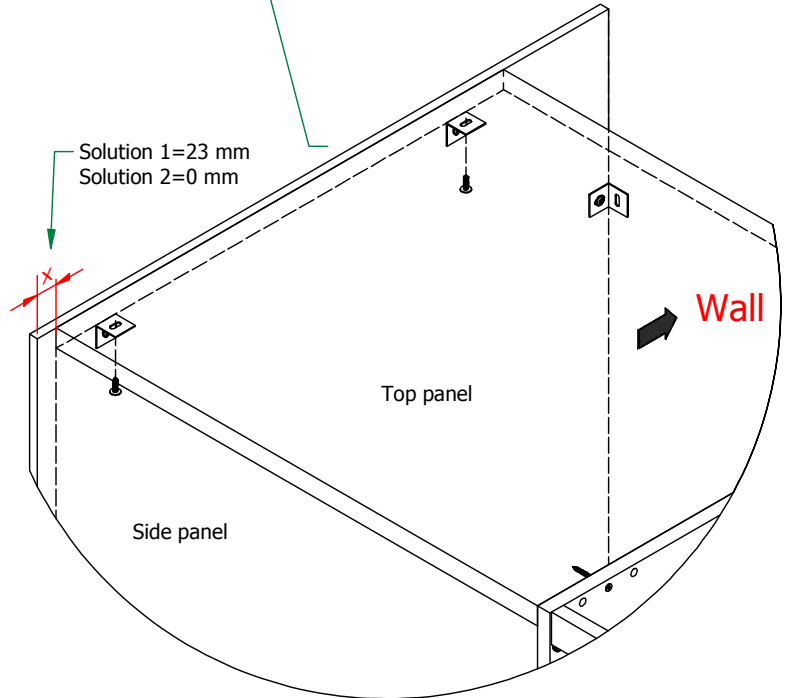
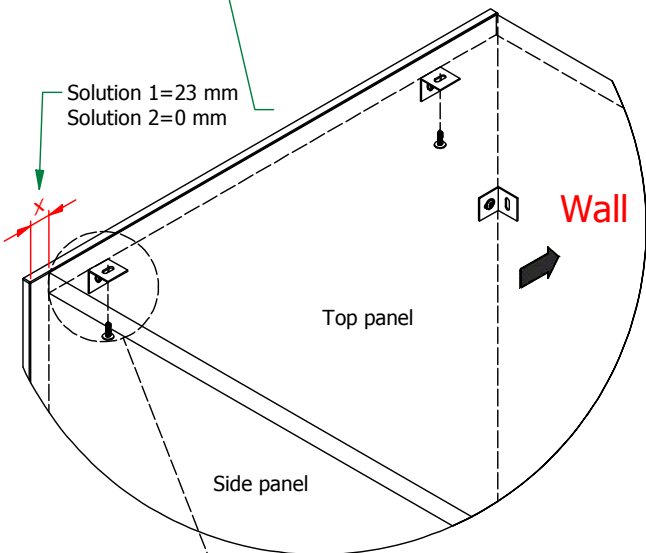
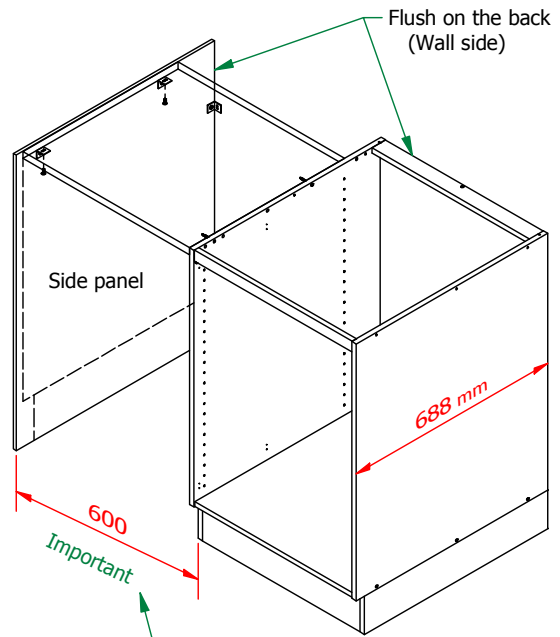
FIG. 4



XL cabinet



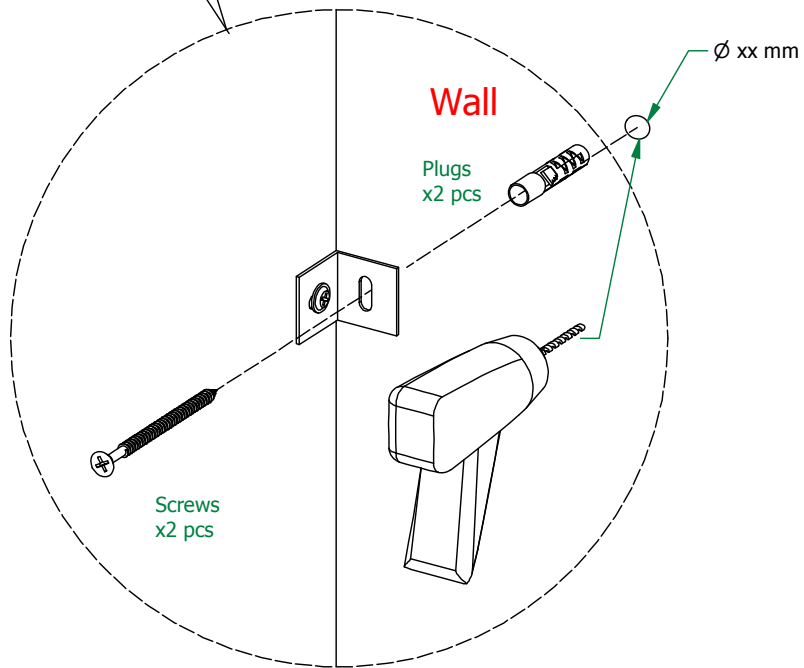
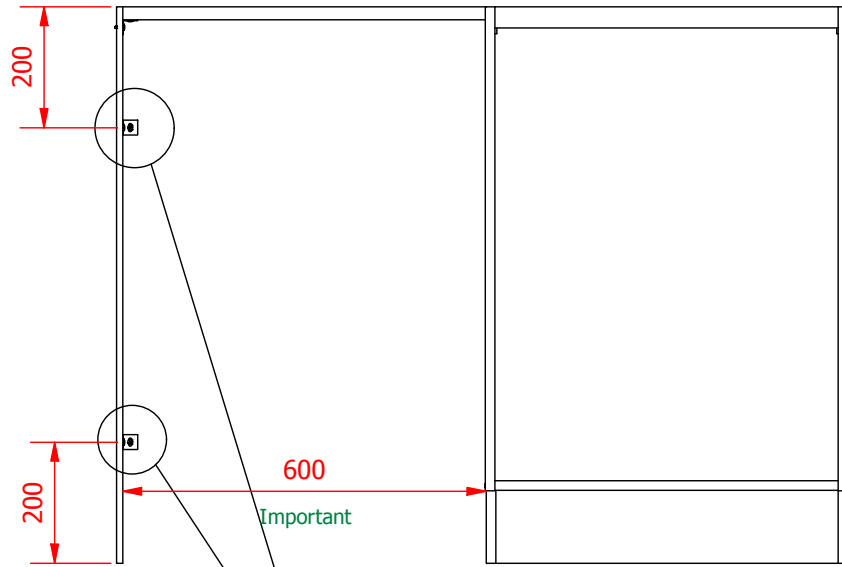
XXL cabinet



Screw ph
ø4x15xØ10
2 pcs

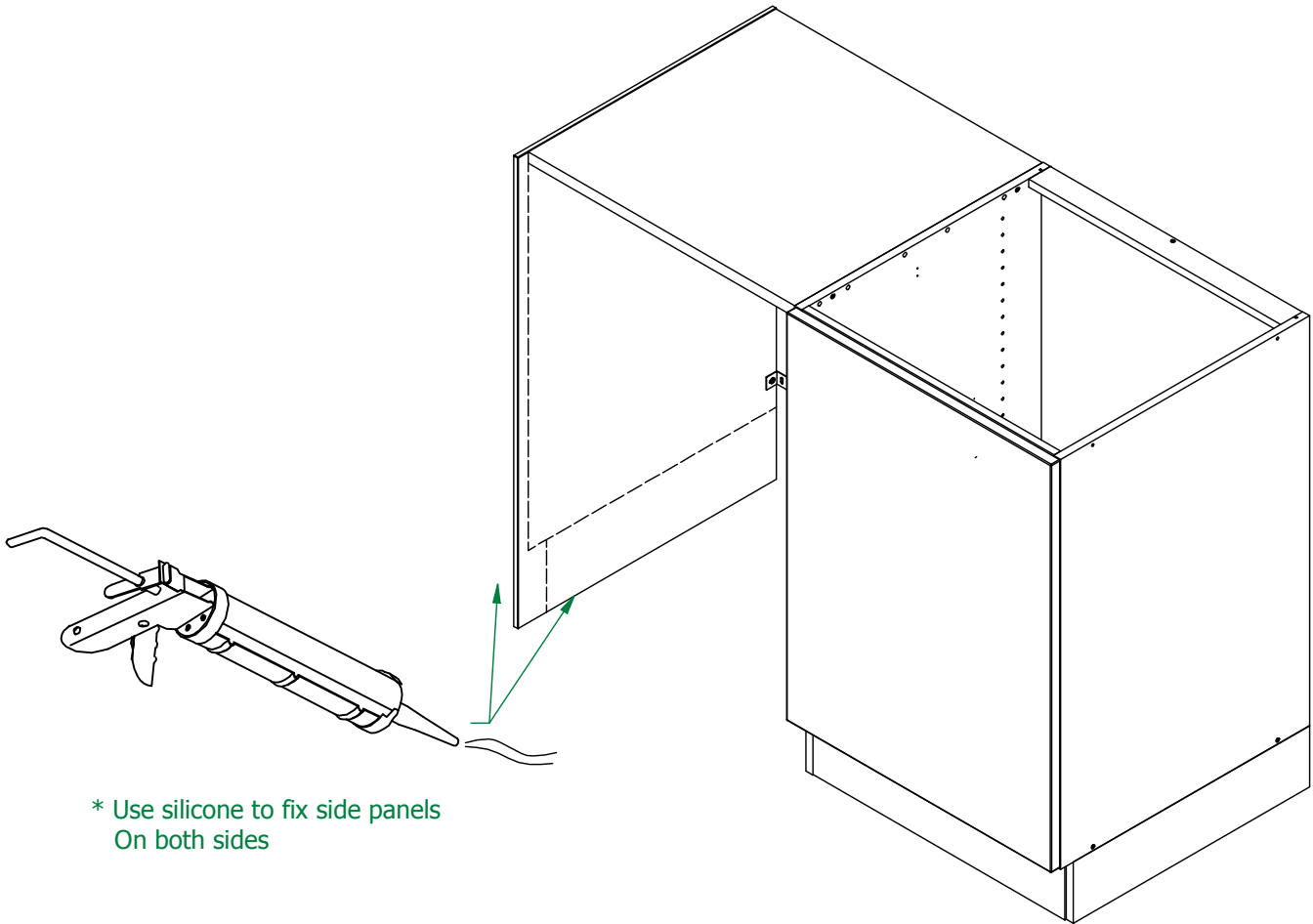
FIG.
5

XL / XXL cabinet



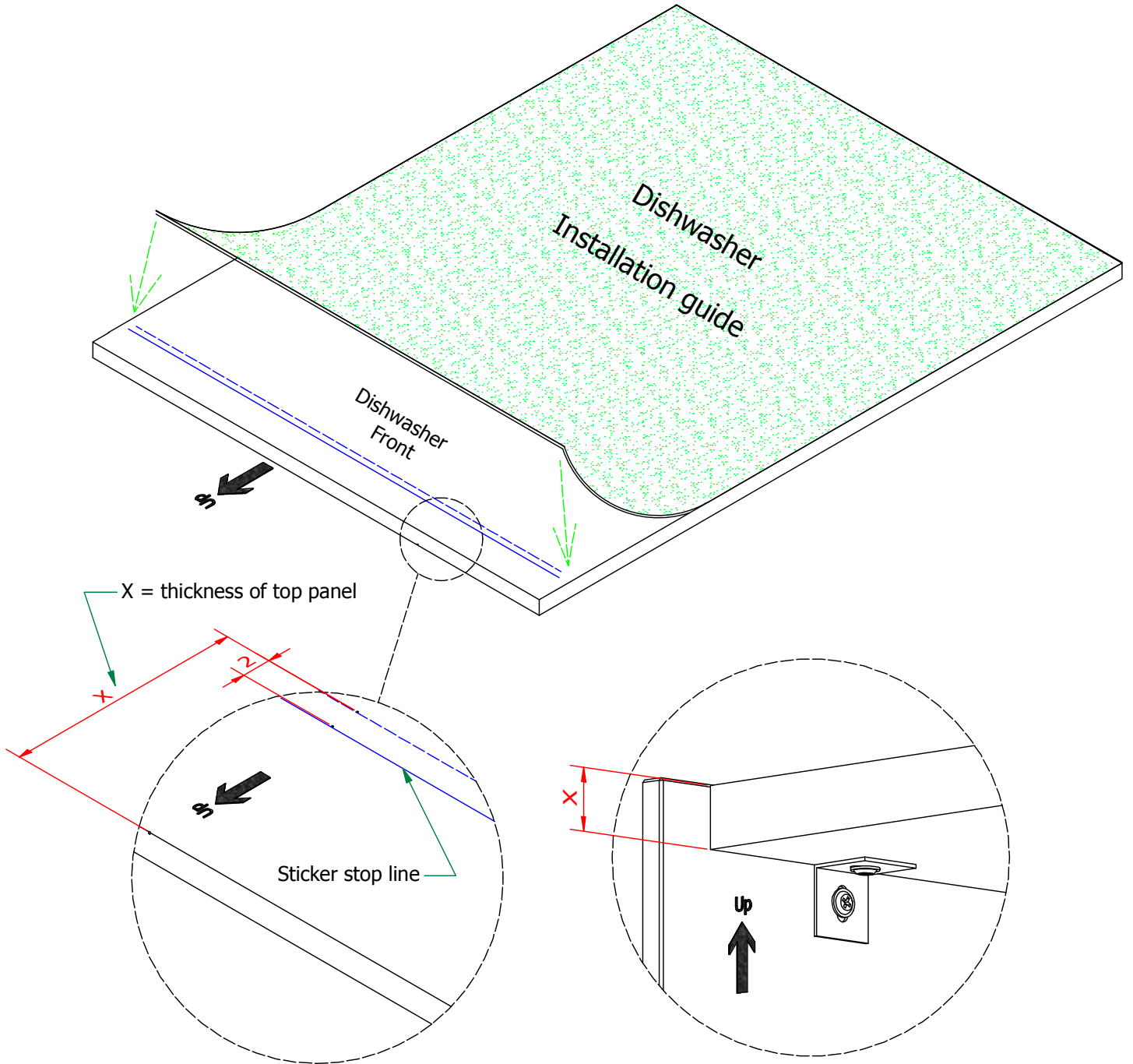
*Plugs and screws for wall mount
is not supplied by Kvik

FIG. 6
6 XL / XXL cabinet



* Use silicone to fix side panels
On both sides

FIG. 2



Install the dishwasher with the template supplied together with the dishwasher