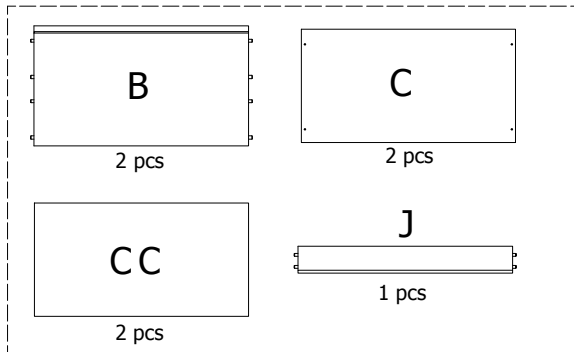


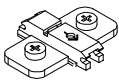
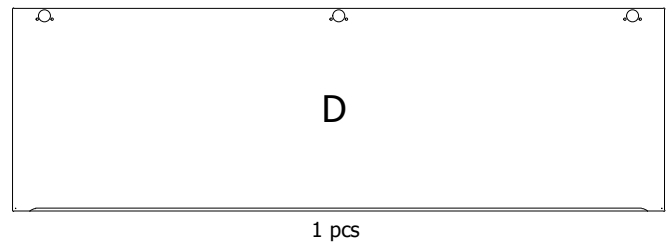
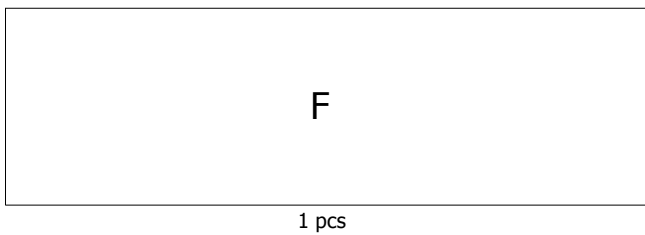
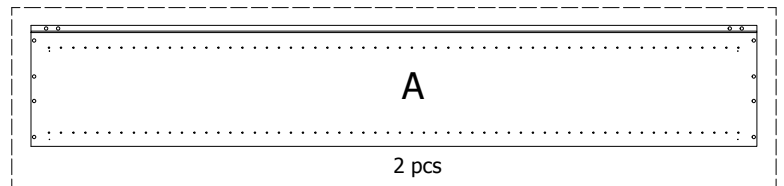
kvik 

DSH9226,060-040

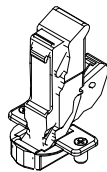
BH32*2,000 / 176



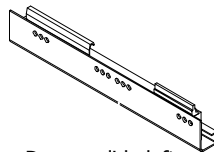
HS19232,000 / KVIK



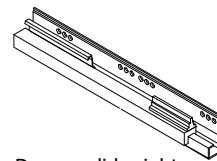
BP00417
Mounting plate
3 pcs



K15355
Hinge 155 degrees
3 pcs



Drawer slide left
300
4 pcs



Drawer slide right
300
4 pcs

BP00270-BP00250-BP00028

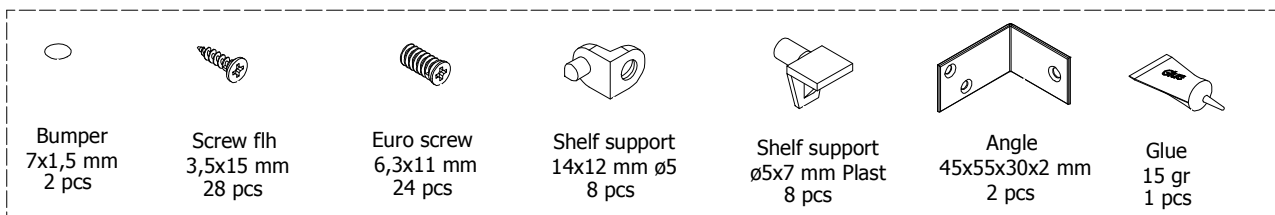


FIG. 1

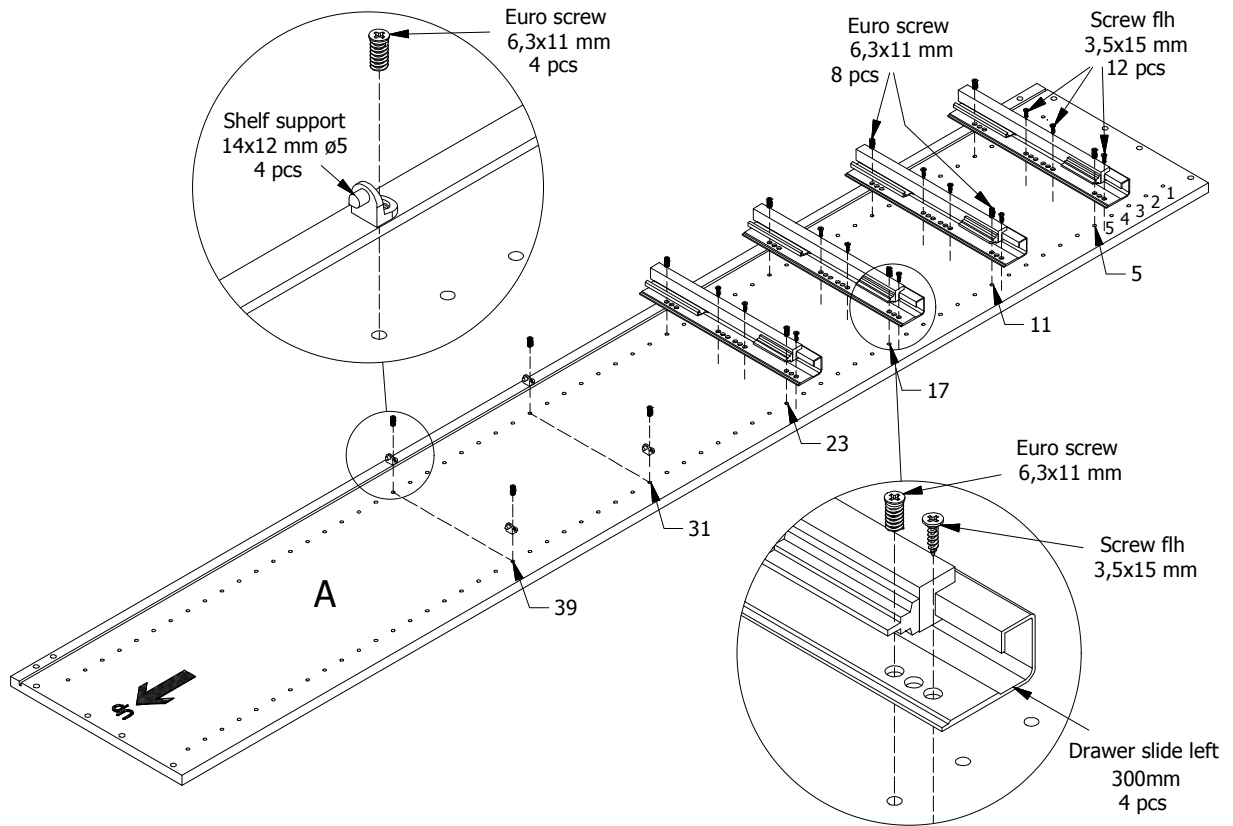


FIG. 2

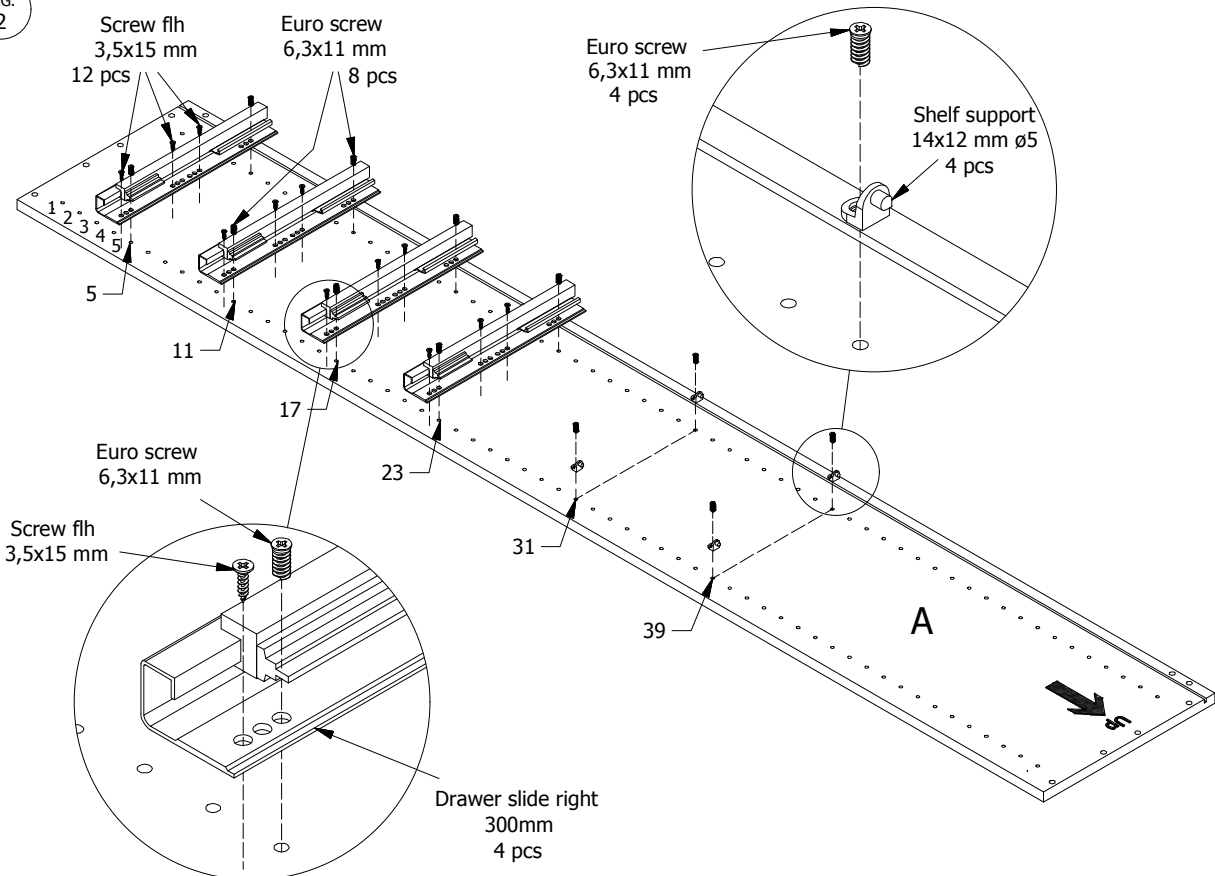


FIG. 3

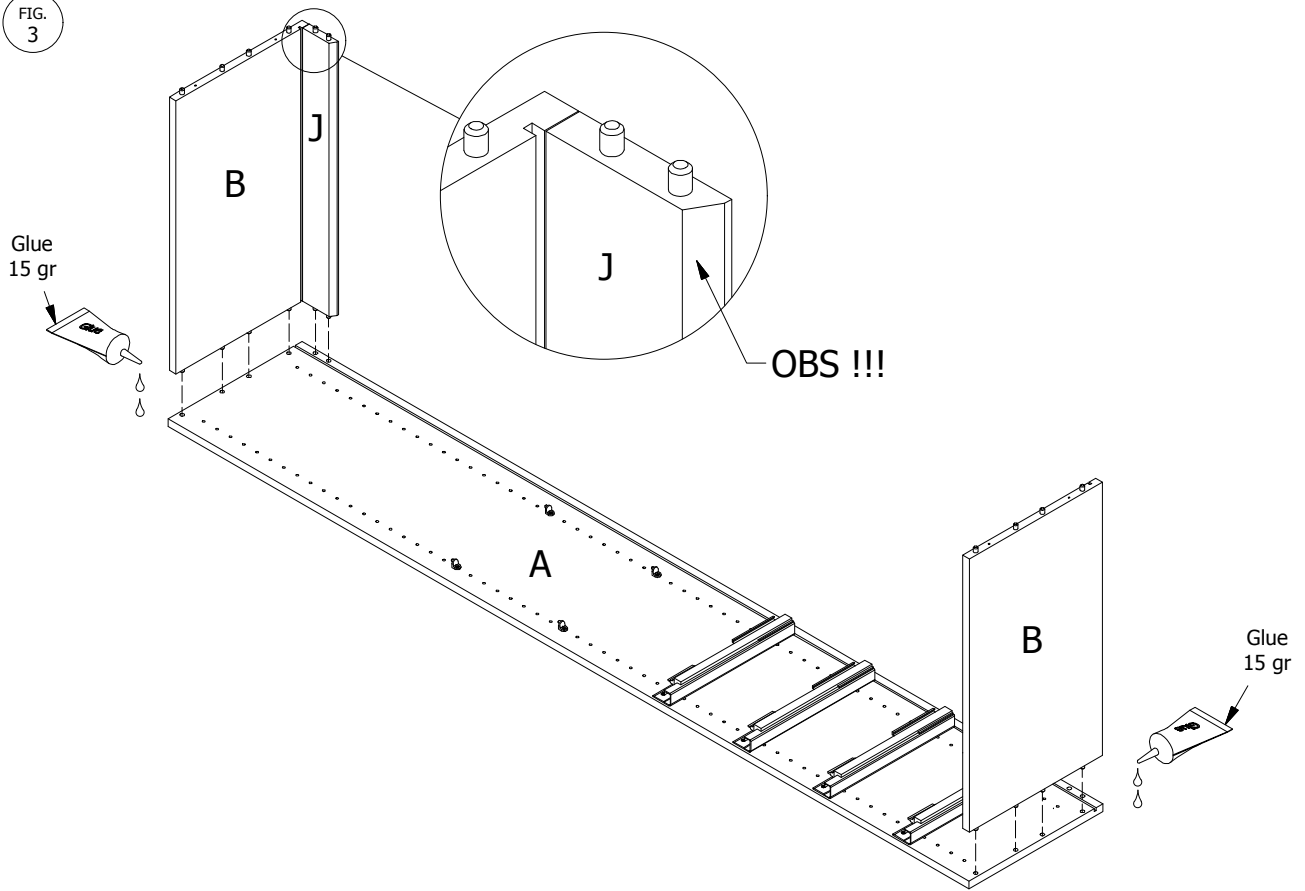


FIG. 4

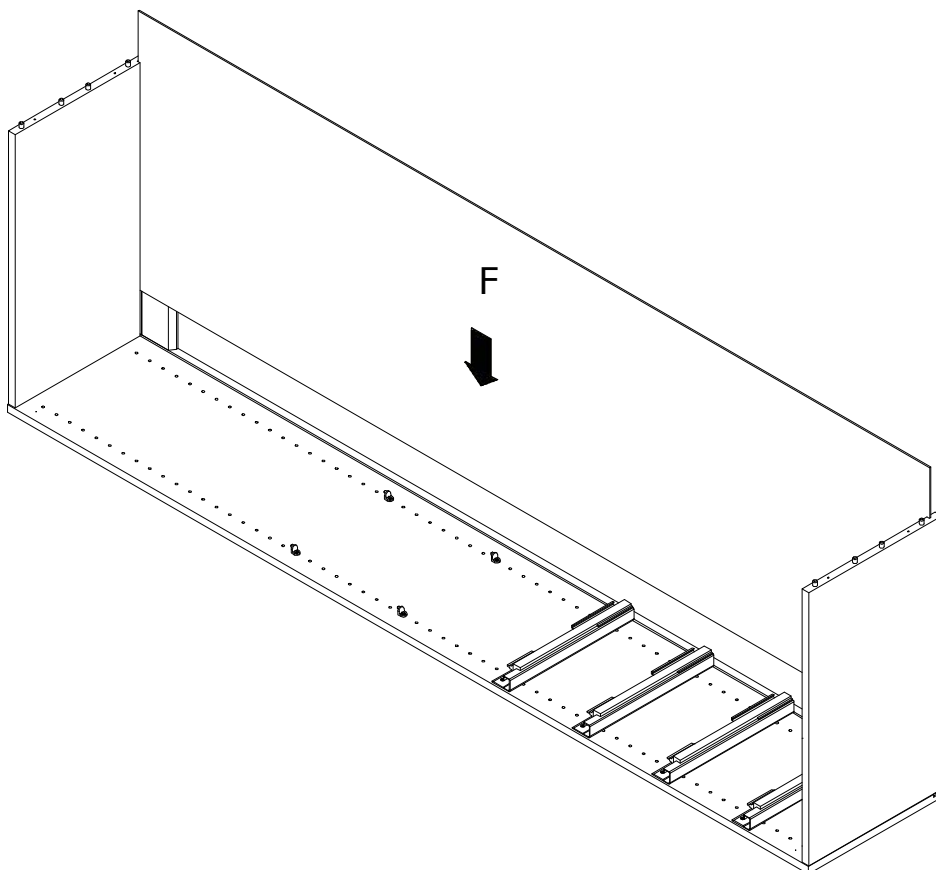


FIG. 5

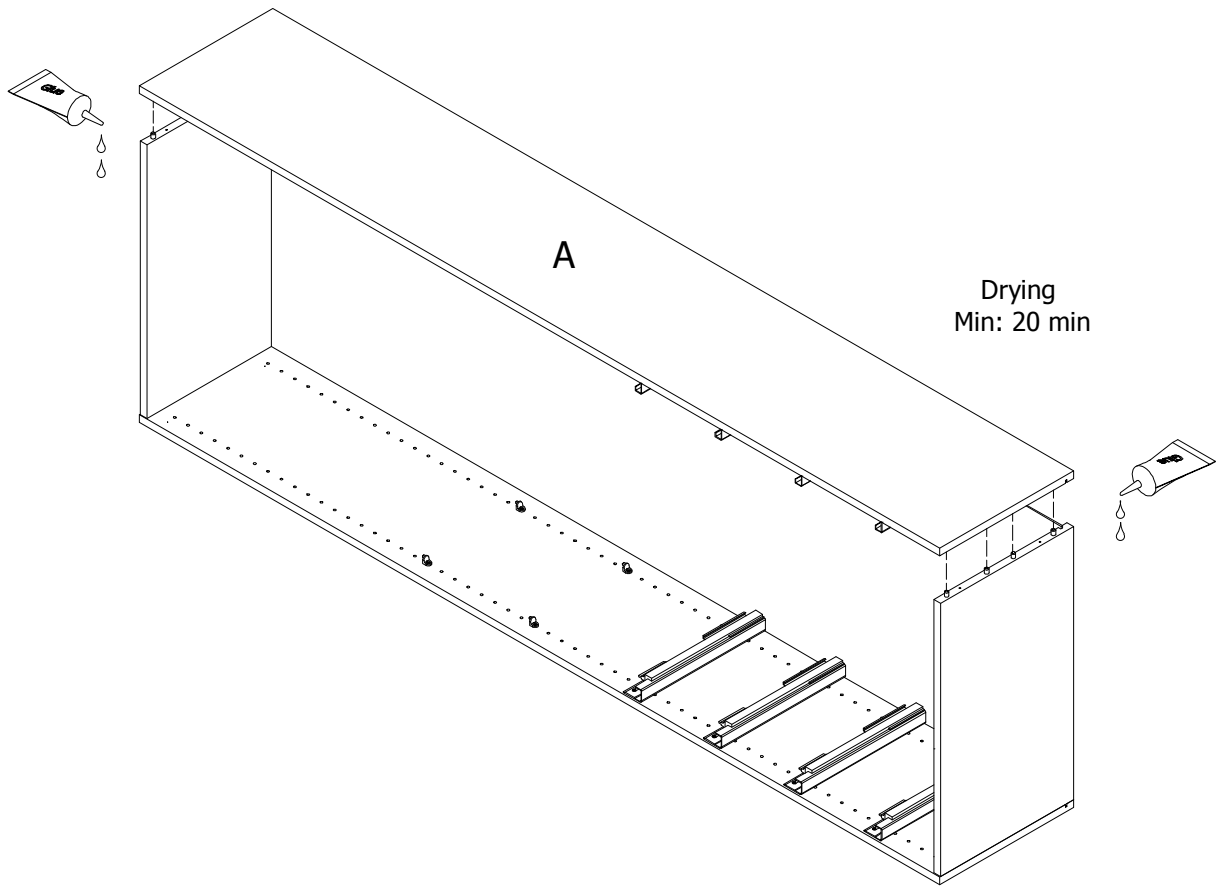


FIG. 6

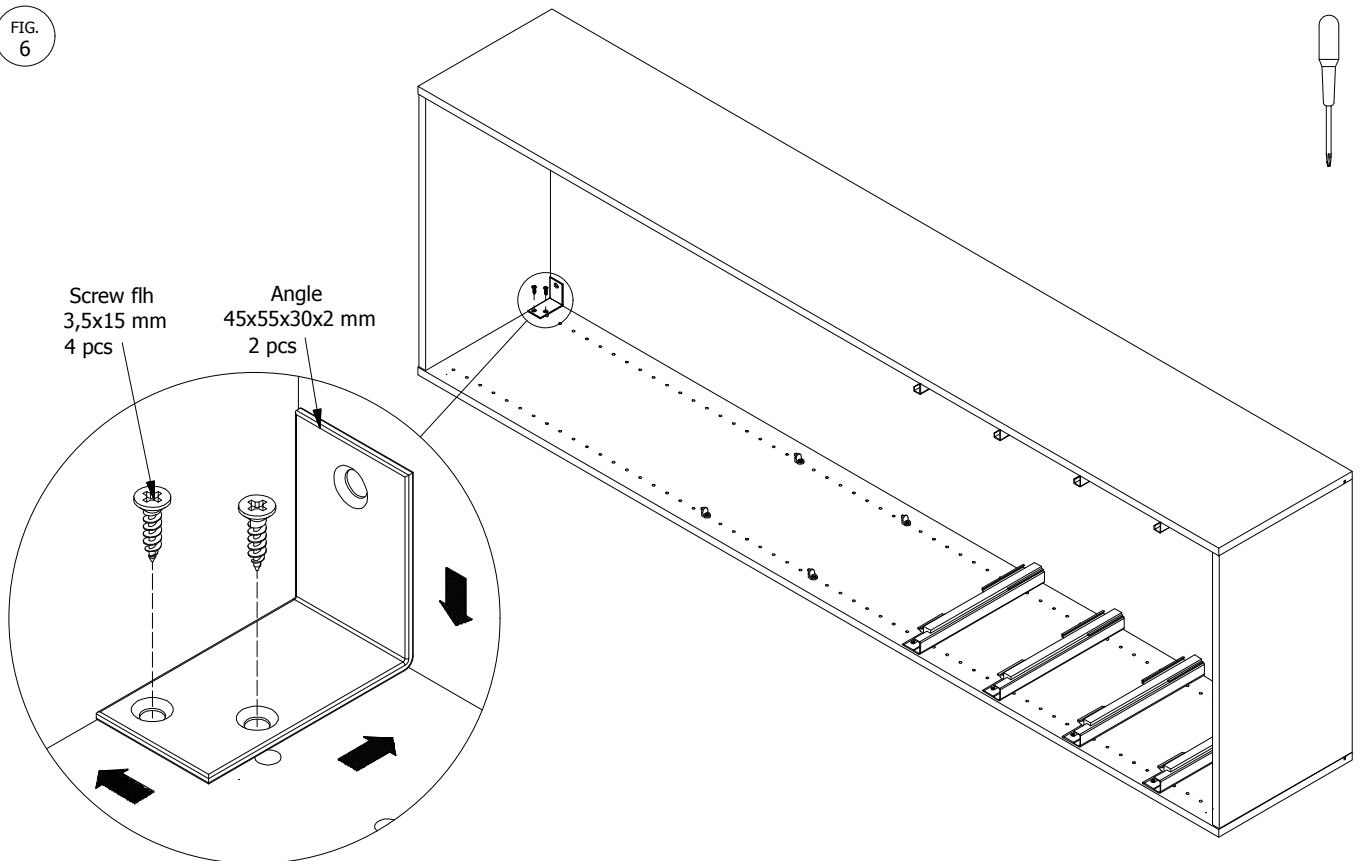


FIG.
7

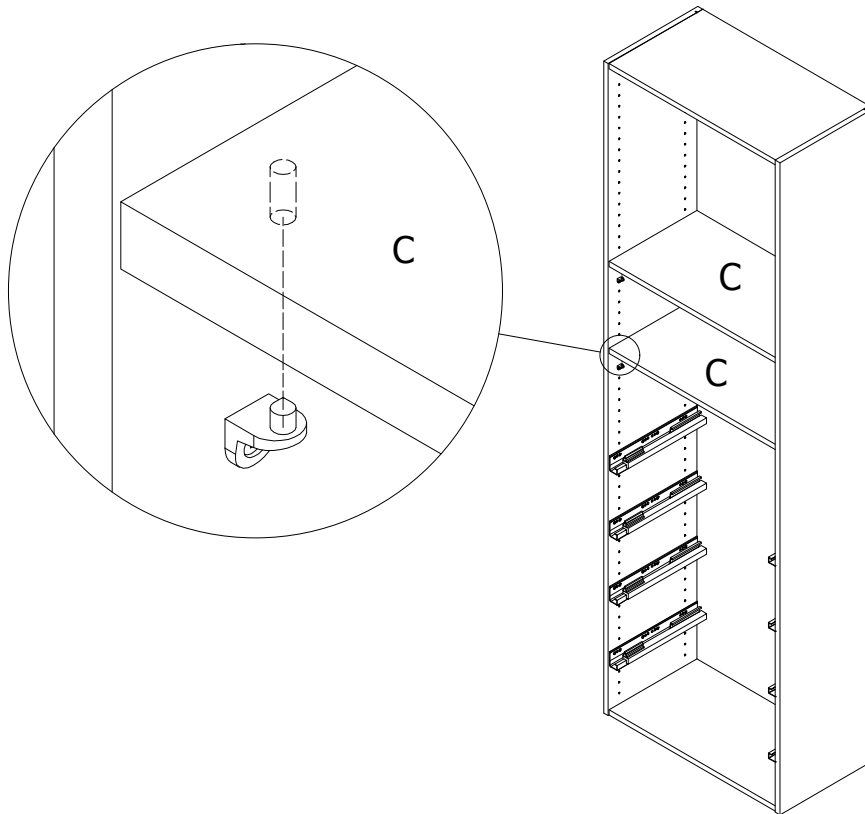


FIG.
8

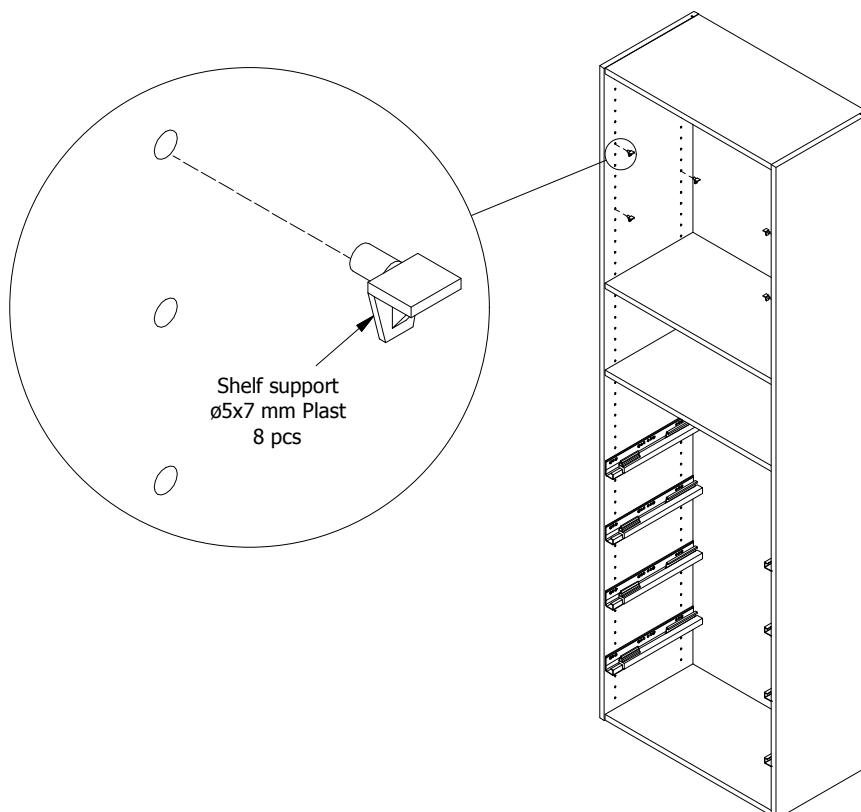


FIG. 9

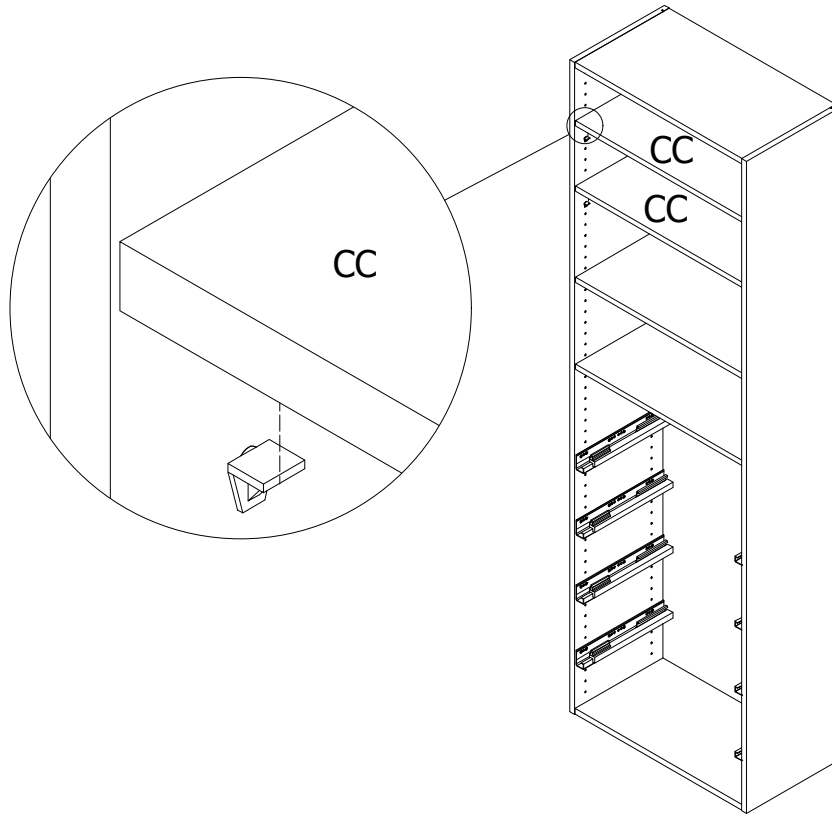


FIG. 10

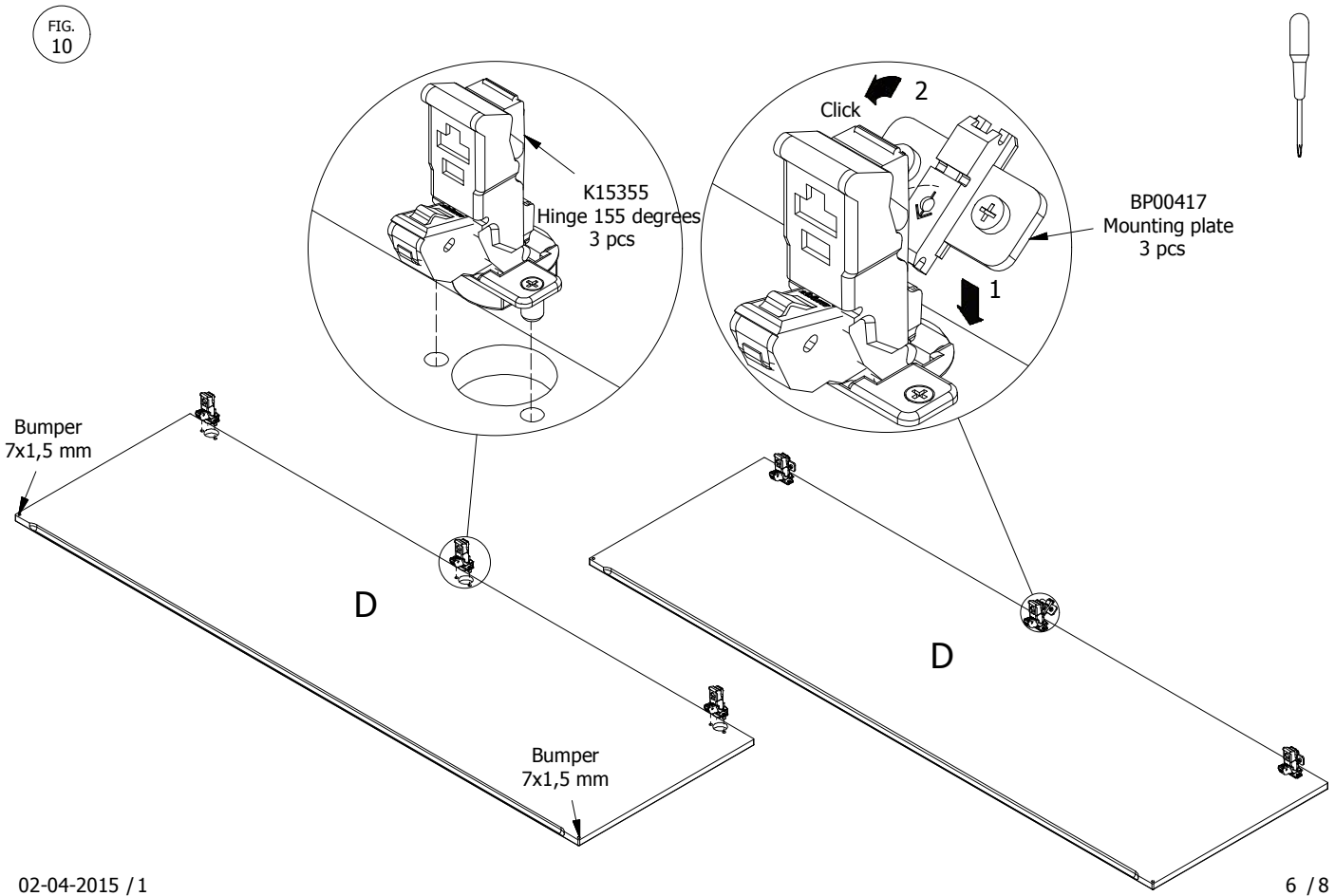


FIG. 11

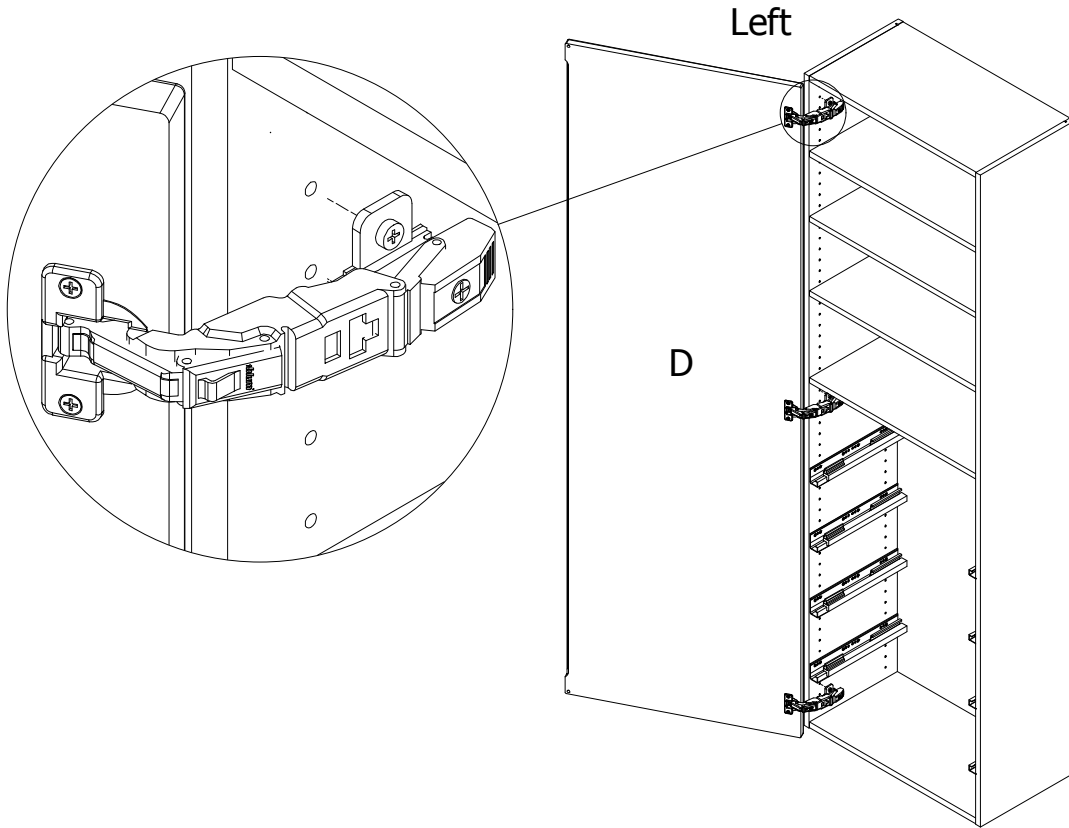
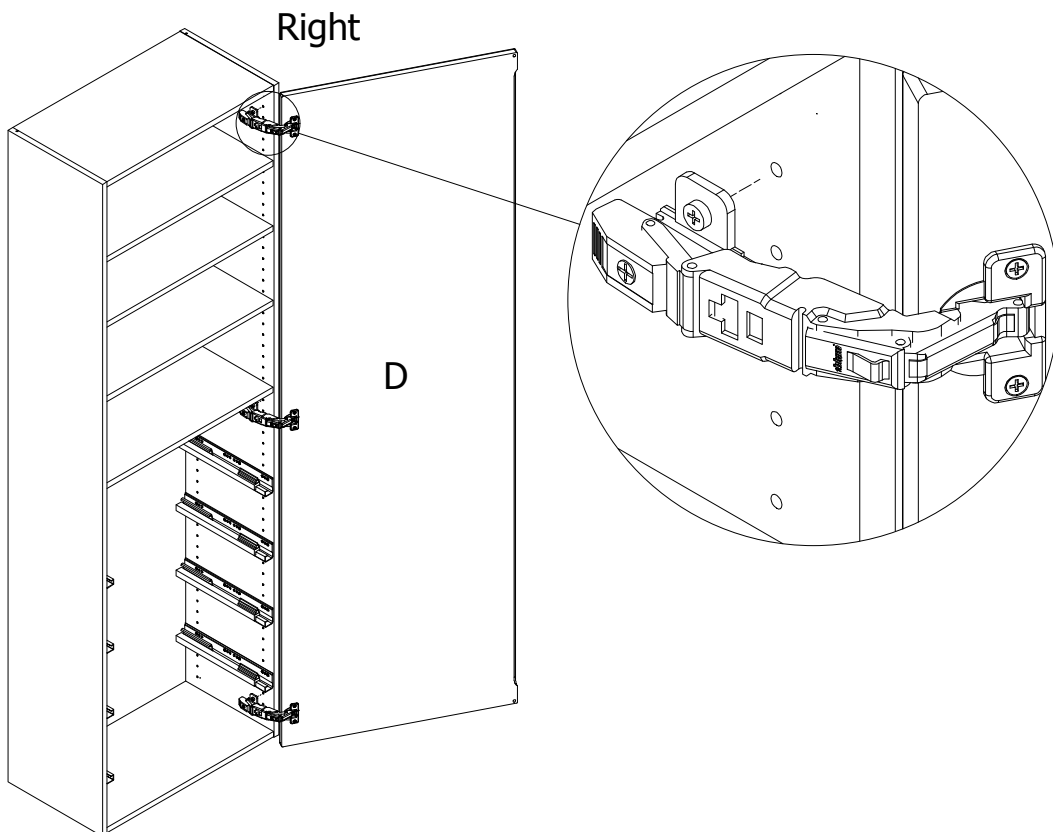


FIG. 12



Adjustment

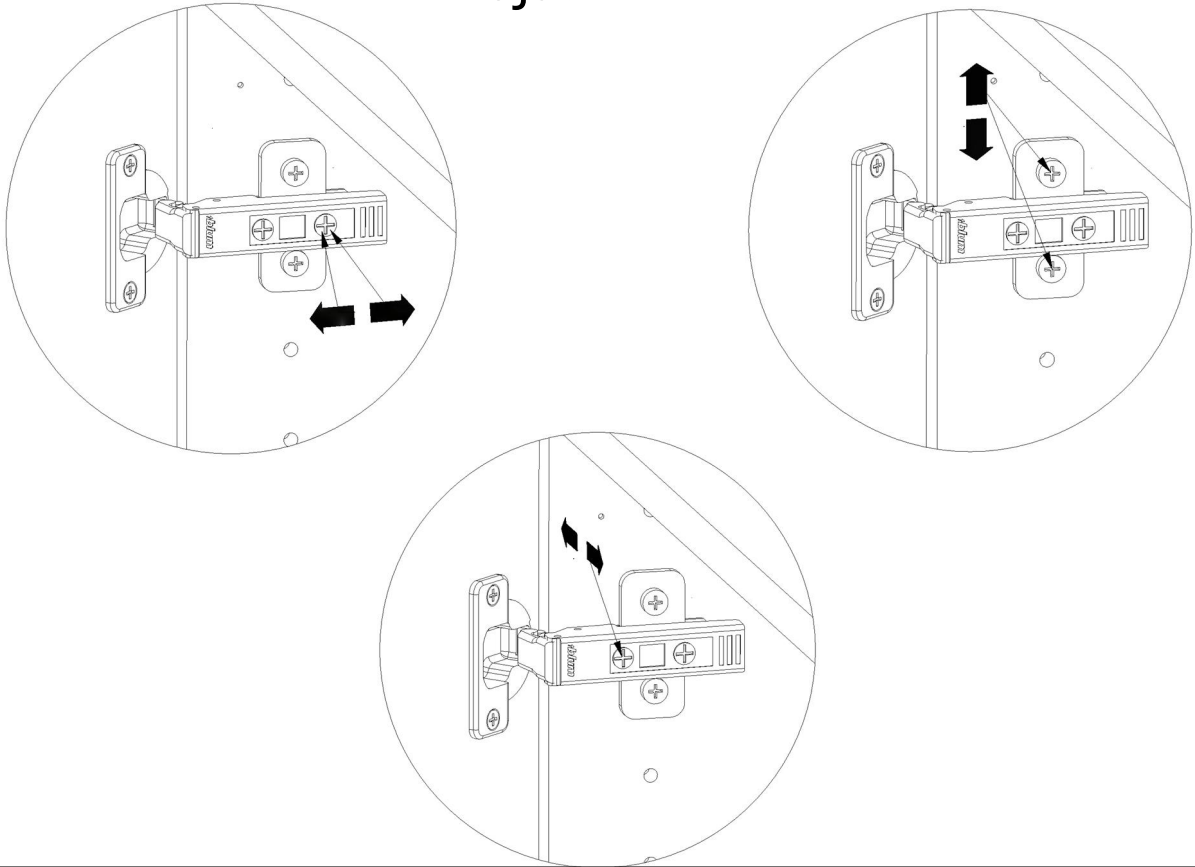


FIG. 13

