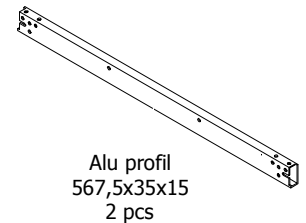
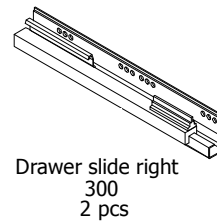
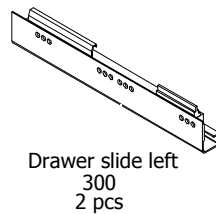
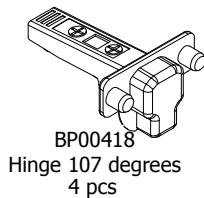
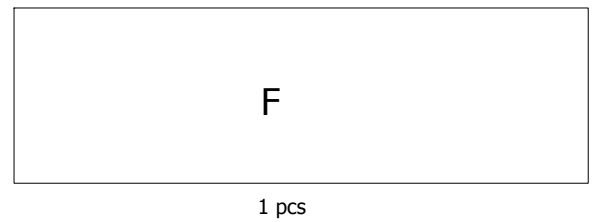
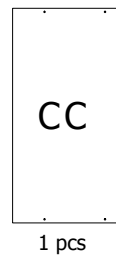
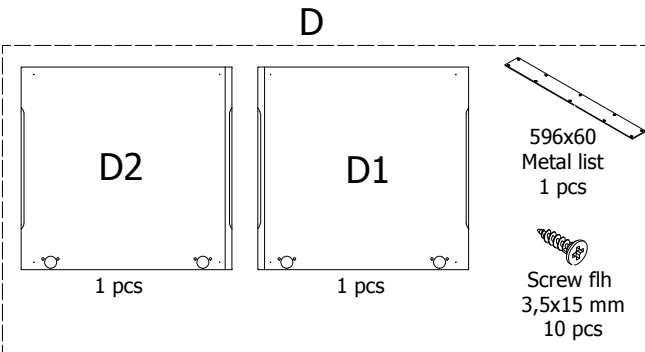
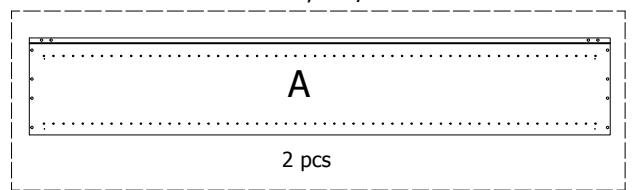
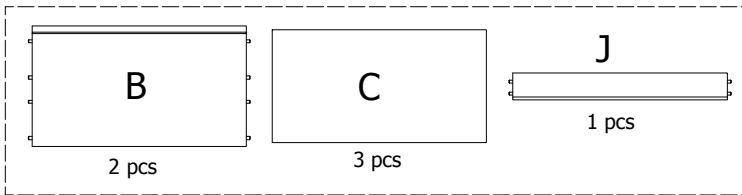


kvik

MDSH9220,060-040

BH32*2,000/176

HS19232,000/KVIK



BP00270-BP00250-BP00028-BP01904-BP00491

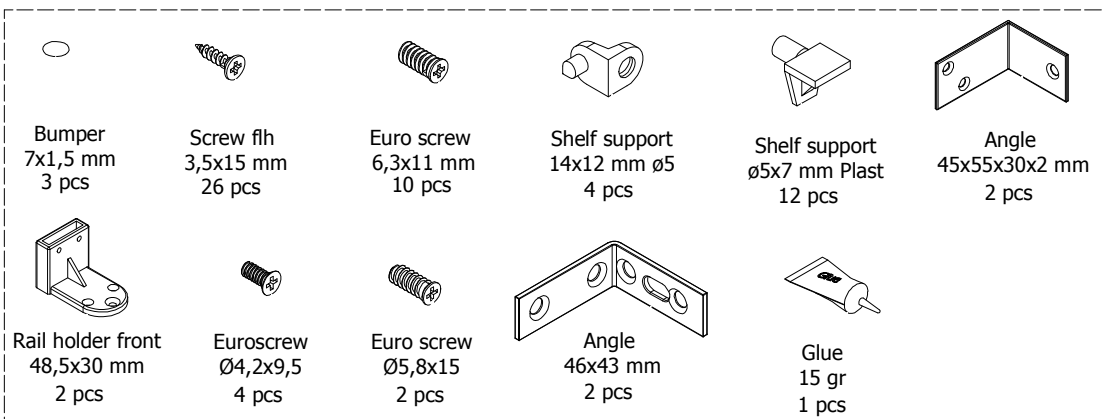


FIG. 1

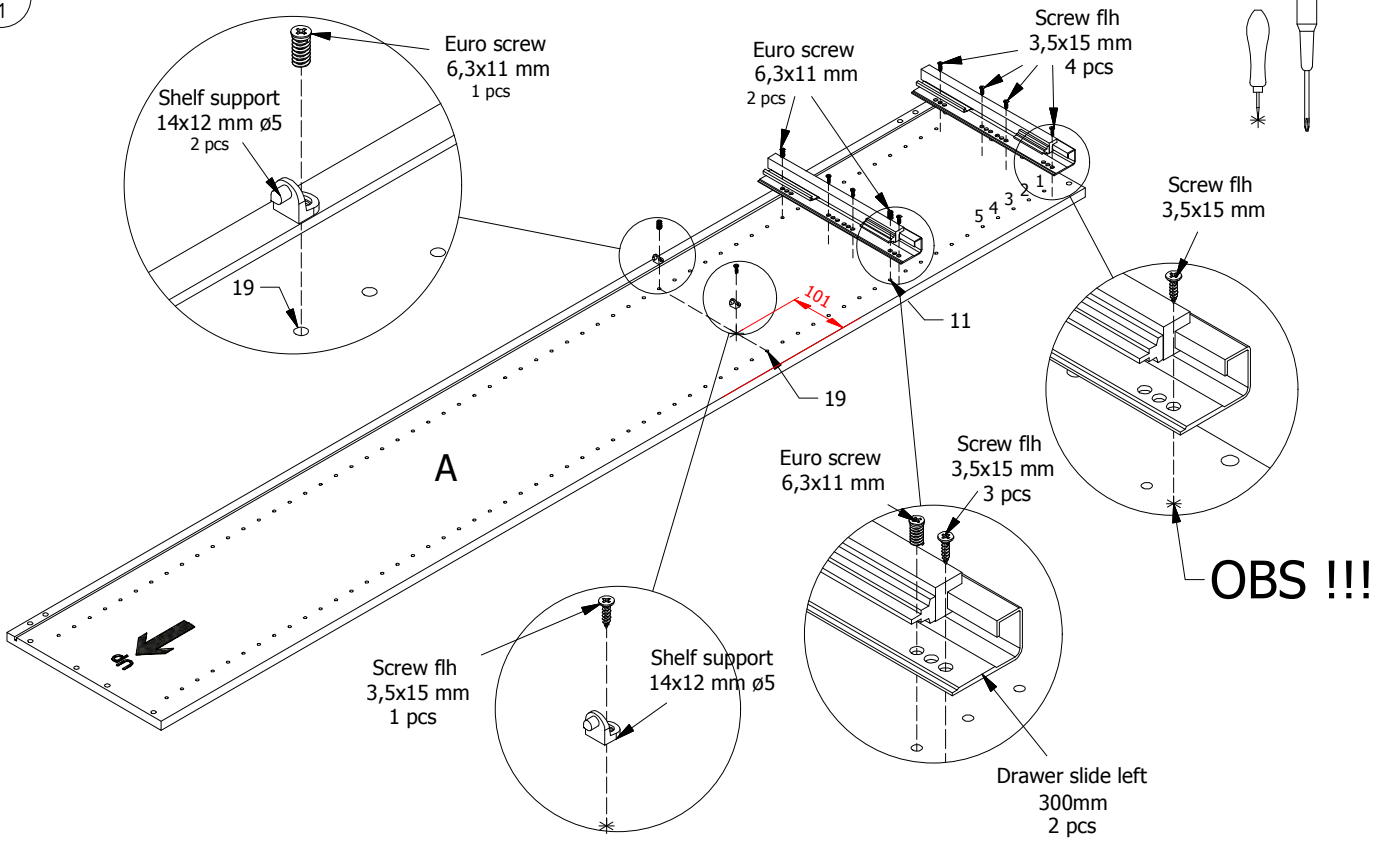


FIG. 2

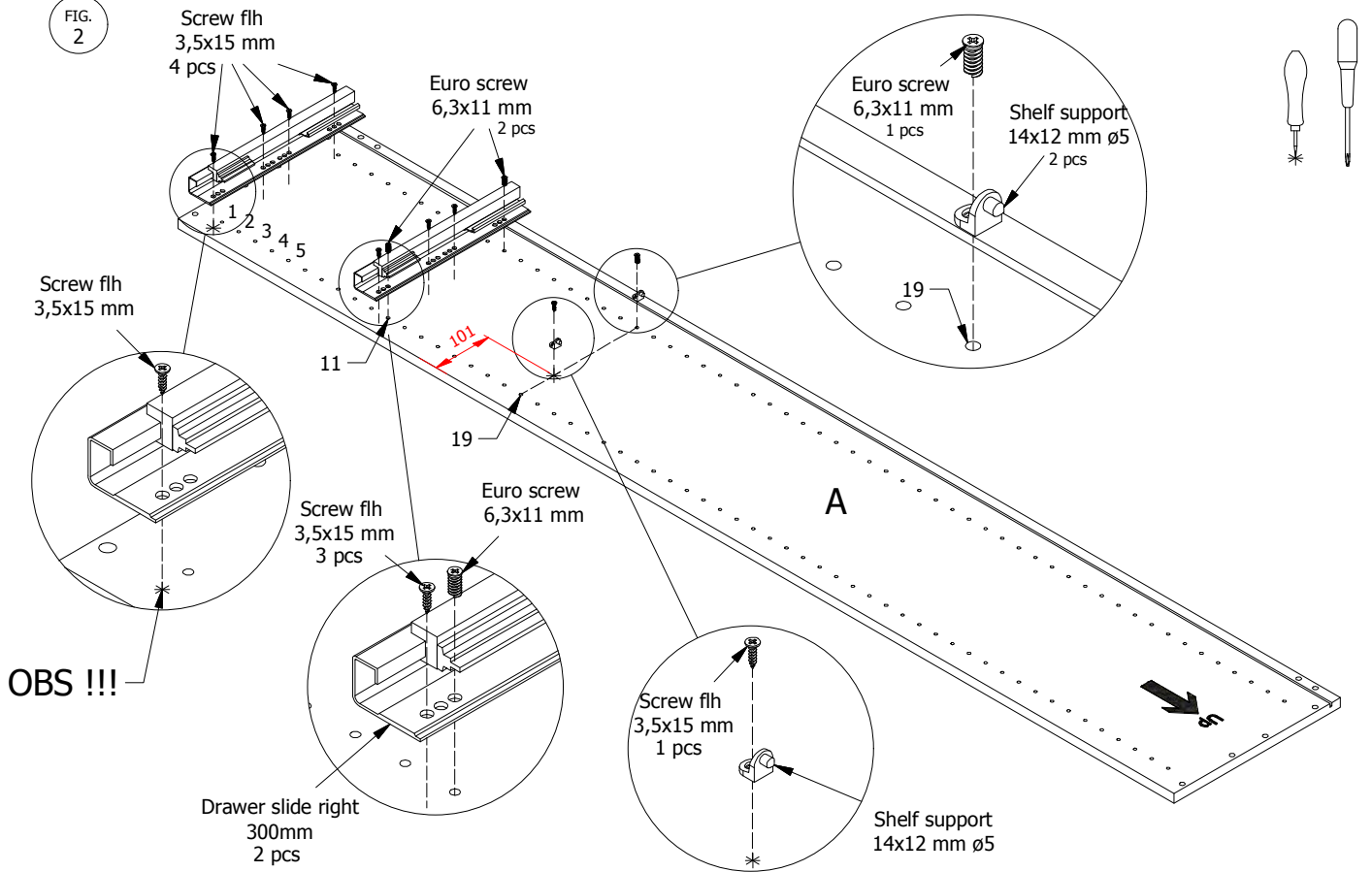


FIG. 3

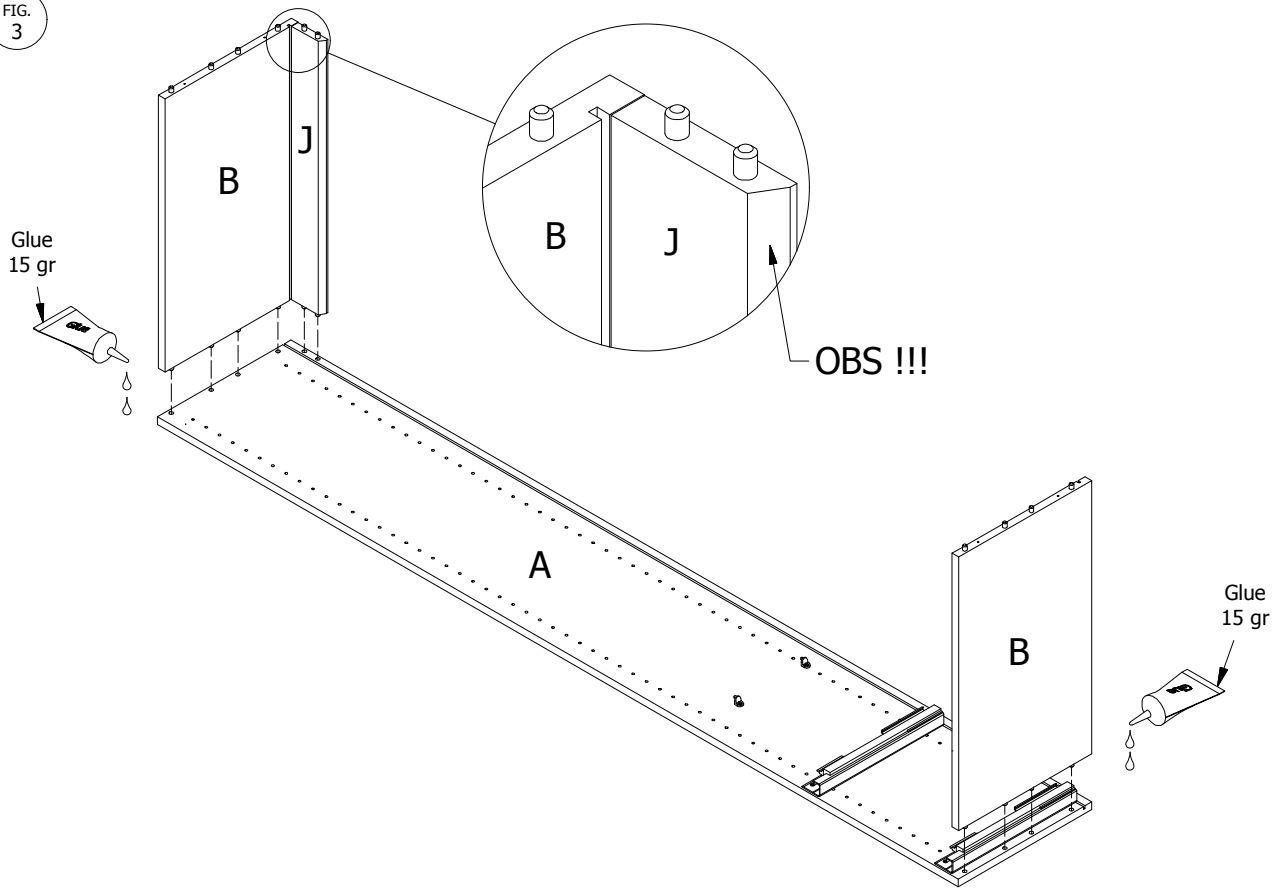


FIG. 4

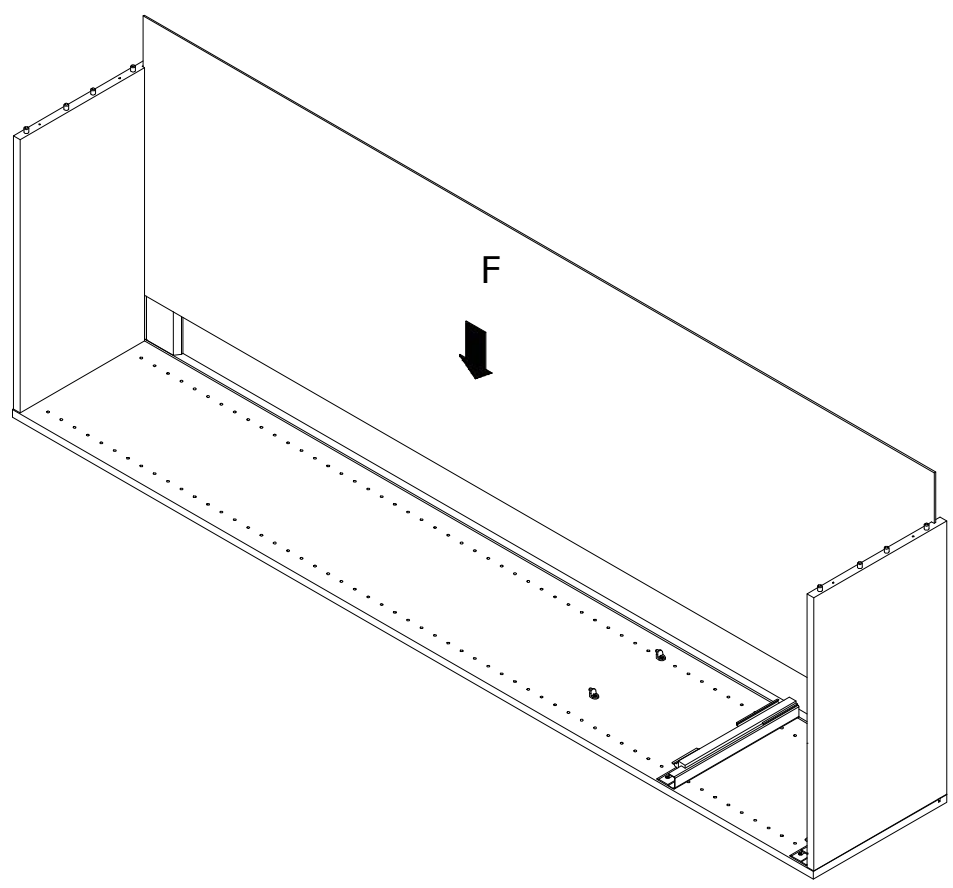


FIG. 5

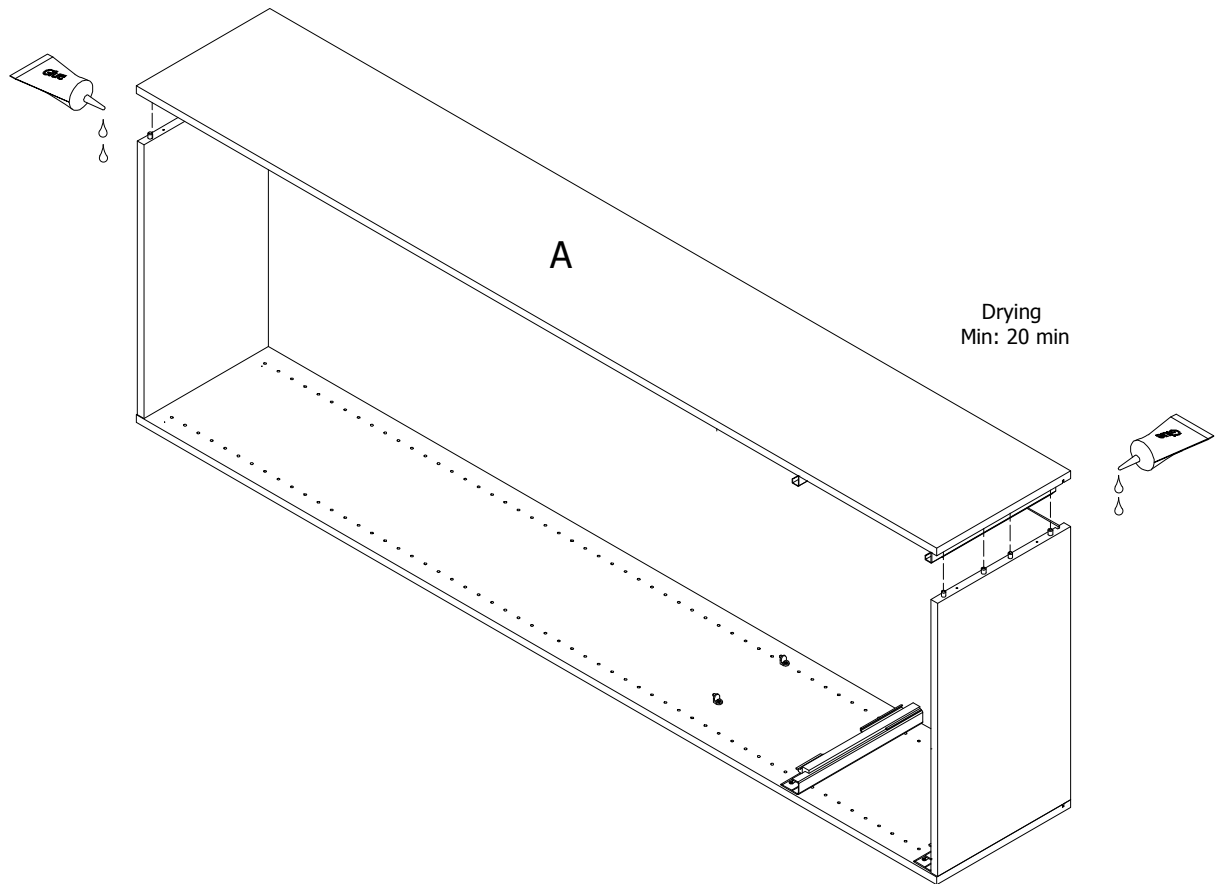


FIG. 6

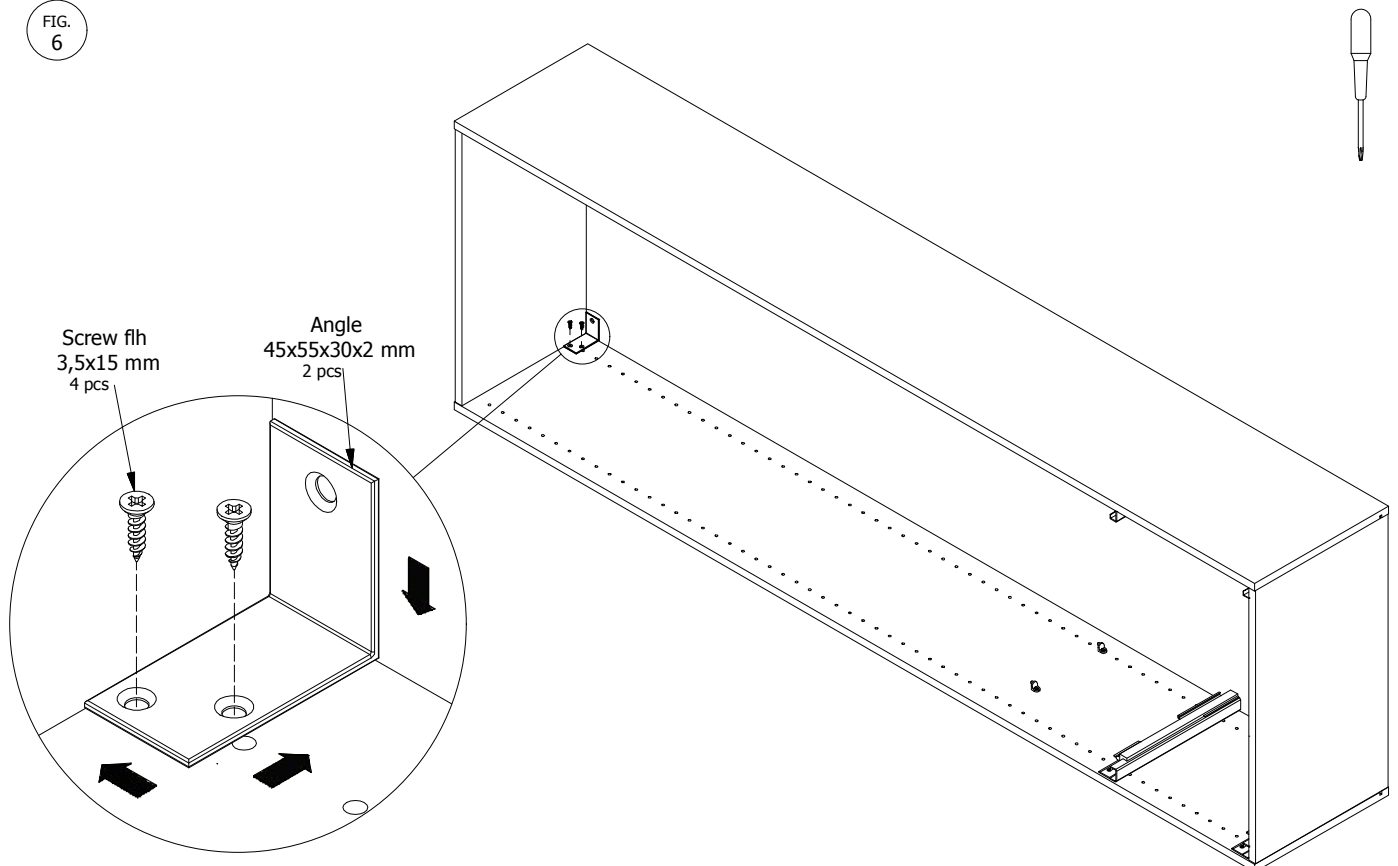


FIG. 7

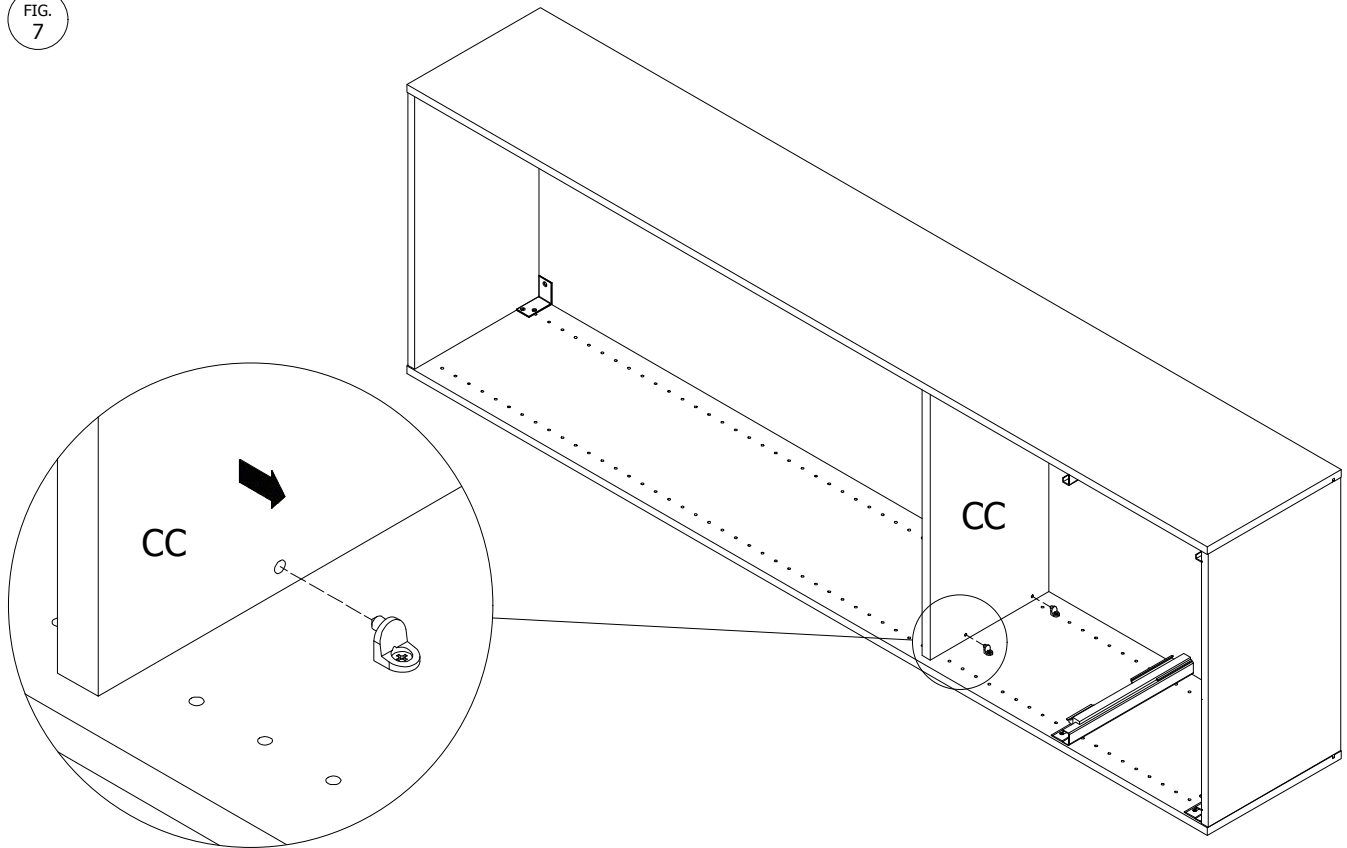


FIG. 8

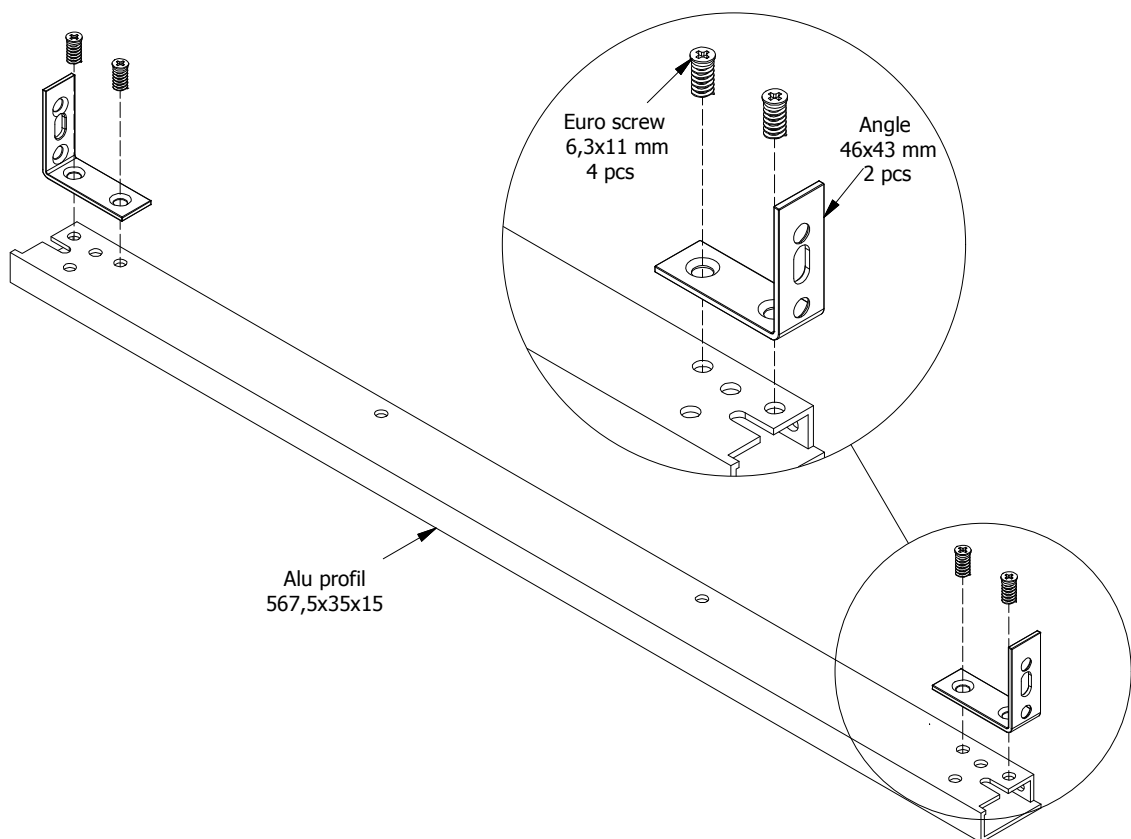


FIG. 9

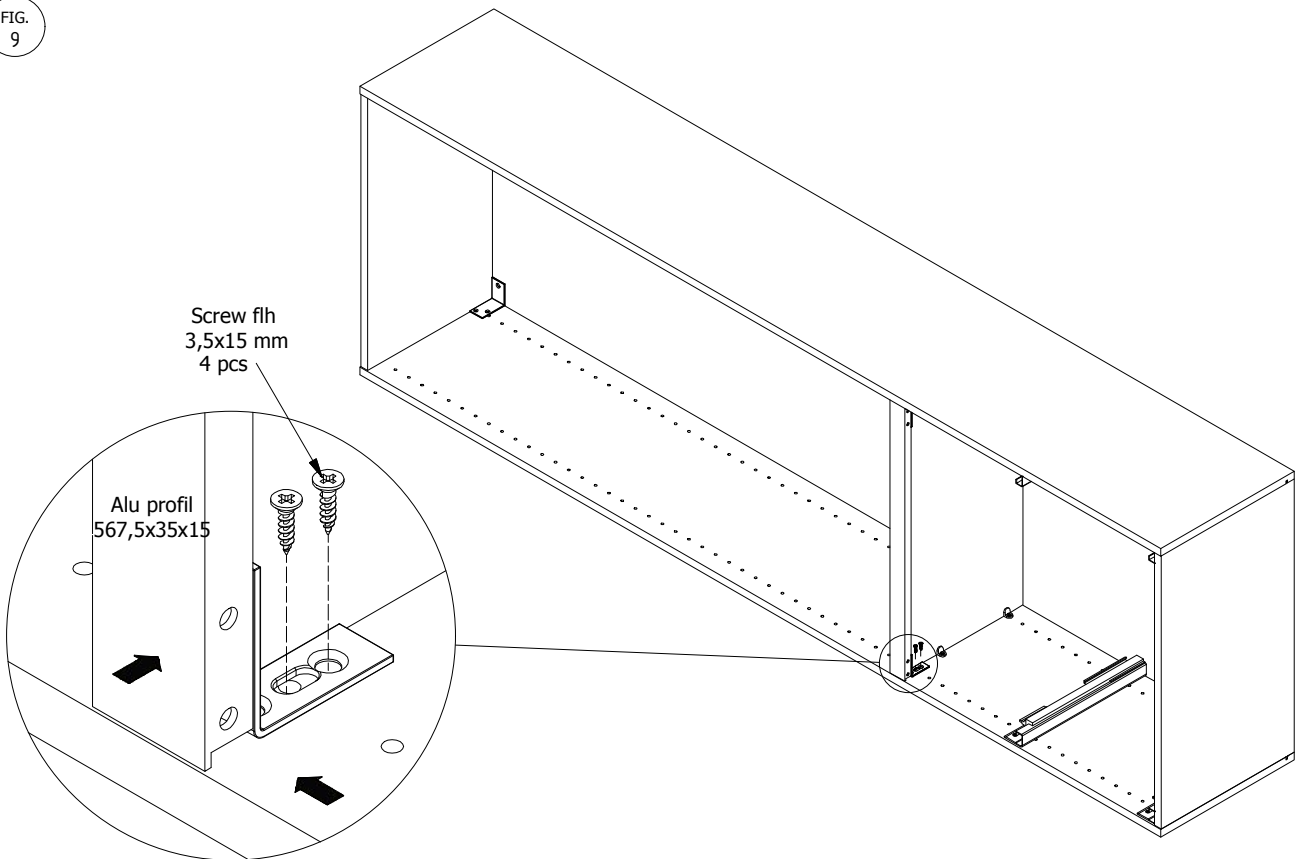


FIG. 10

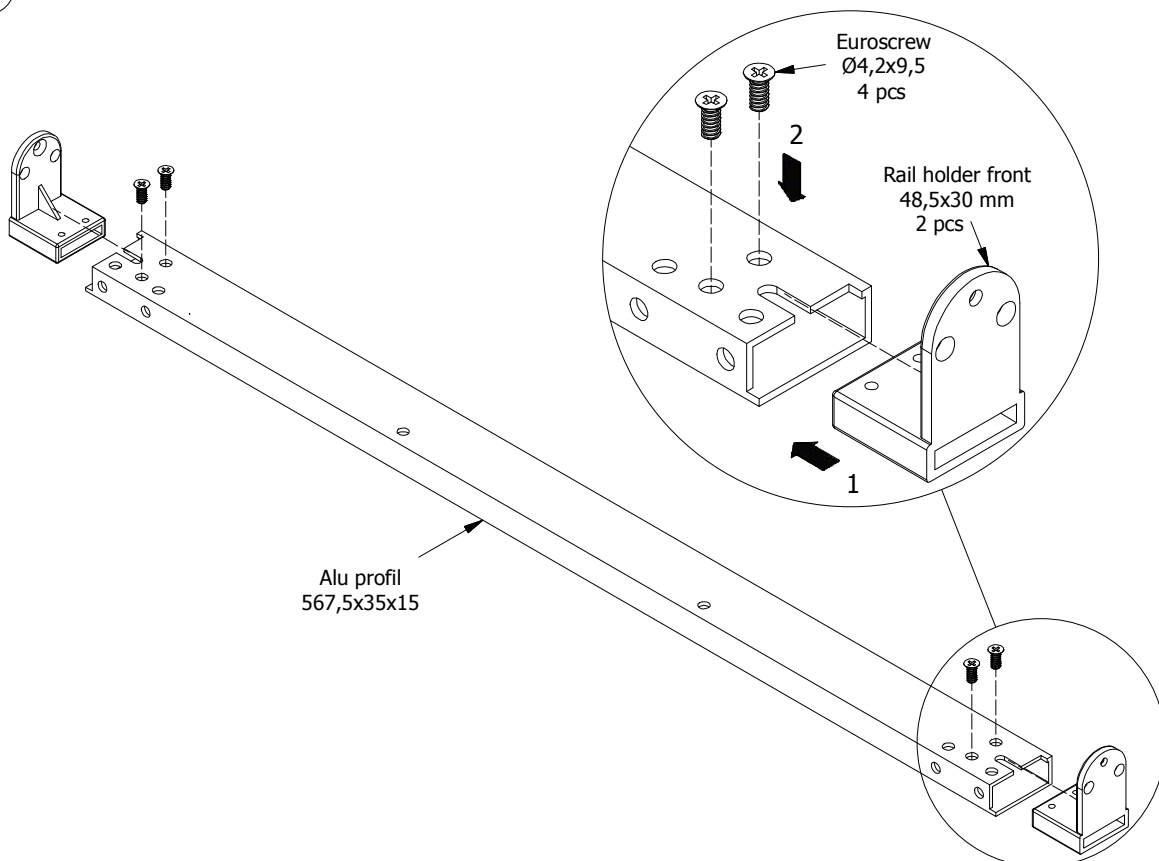


FIG.
11

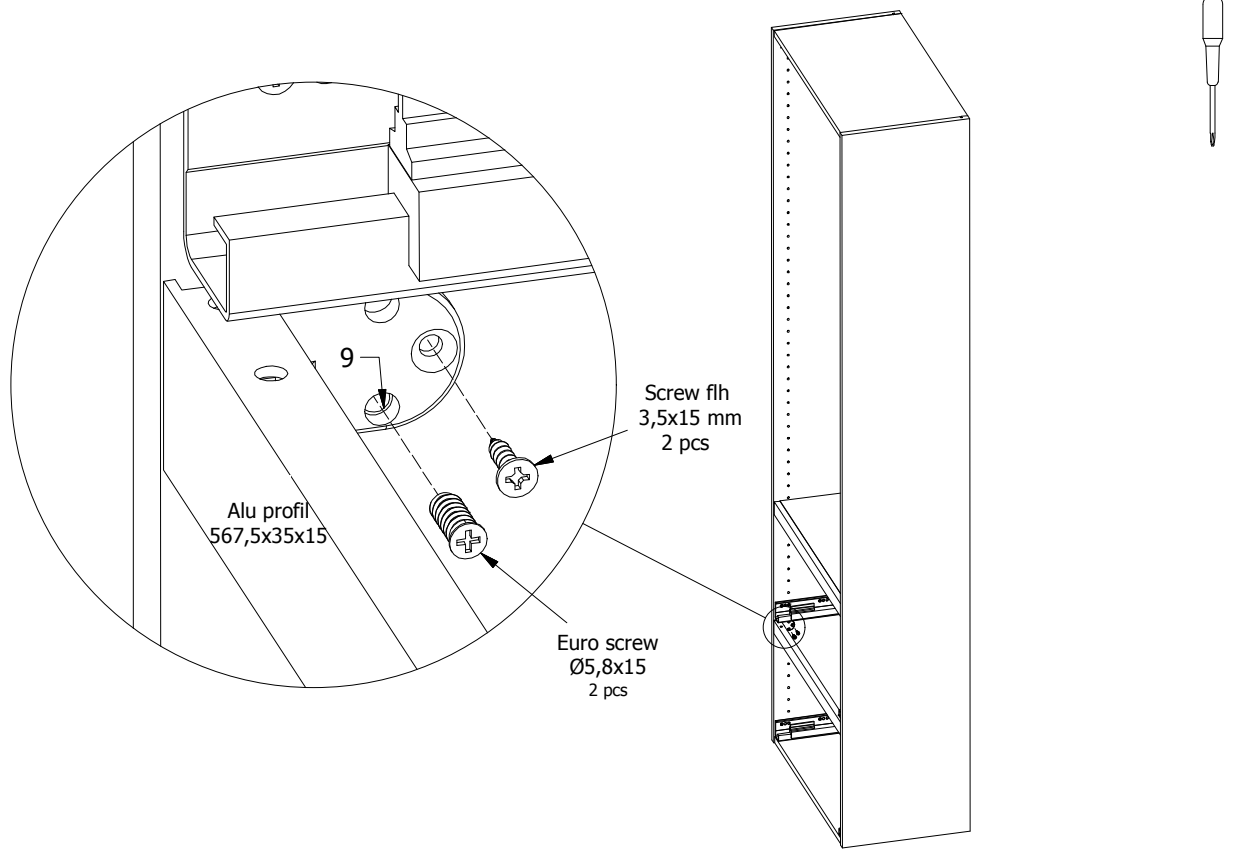


FIG.
12

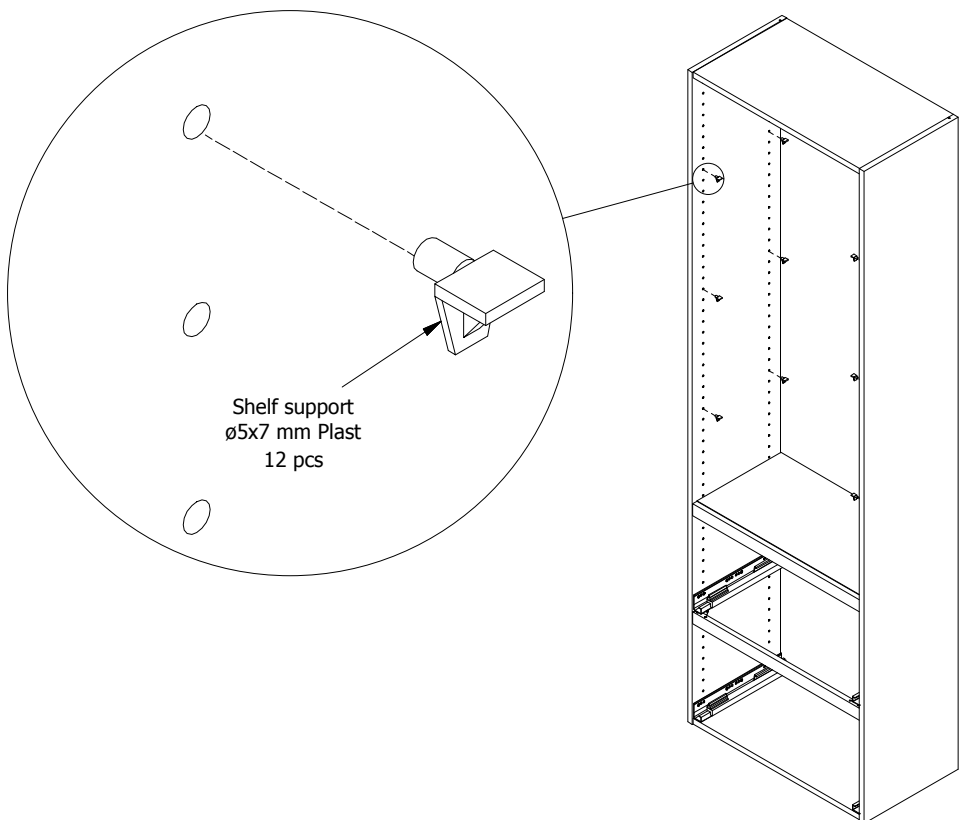


FIG. 13

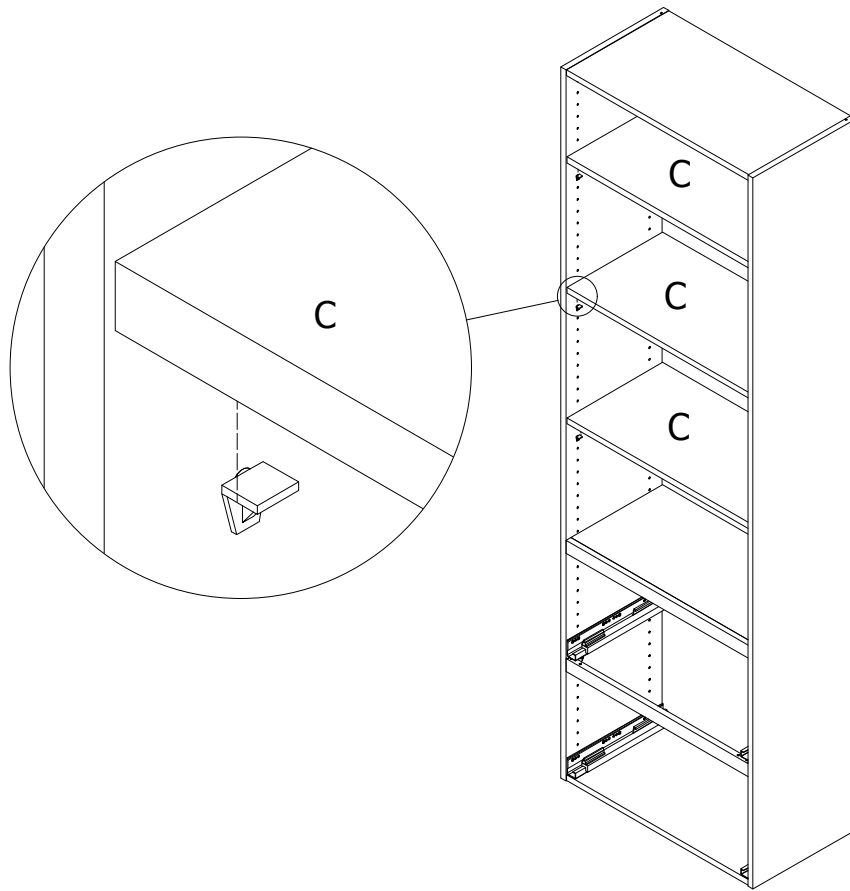


Fig 14

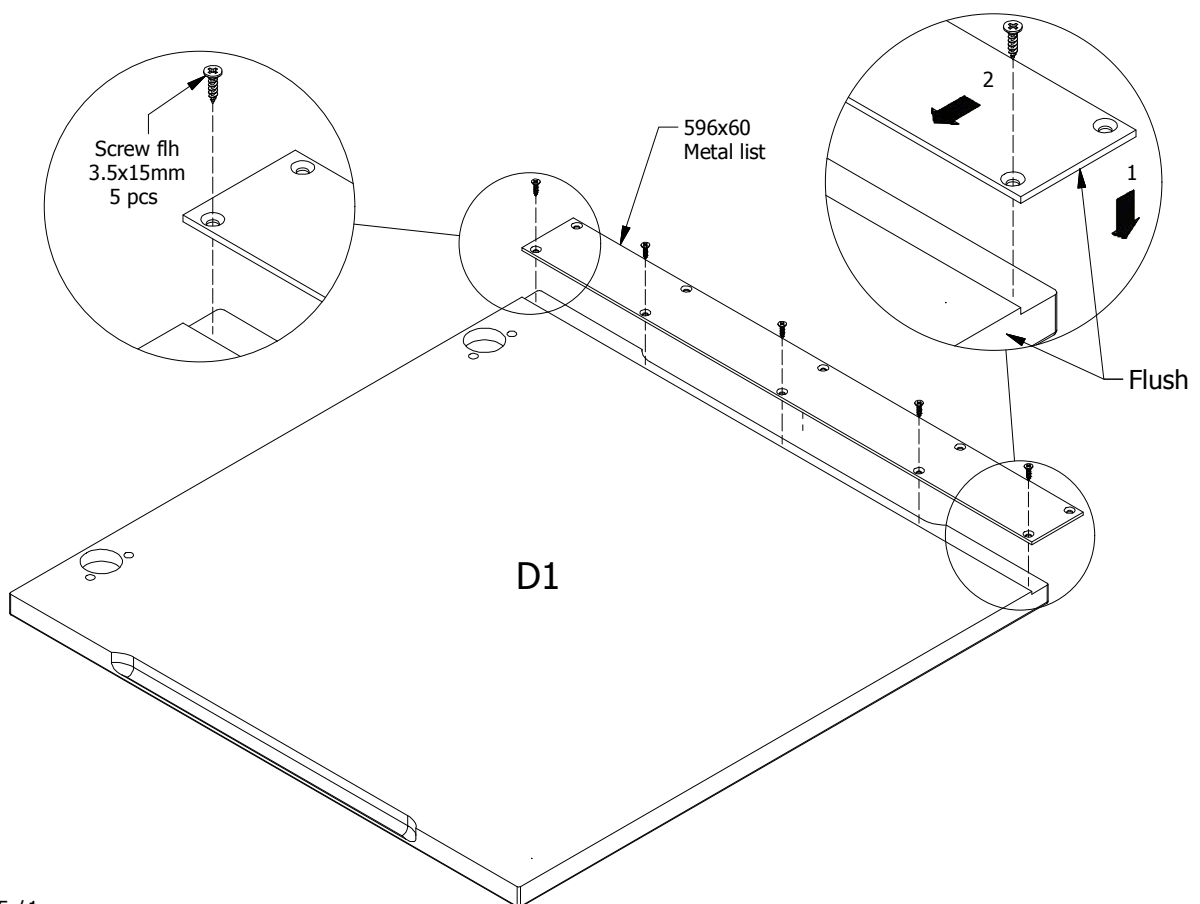


Fig 15

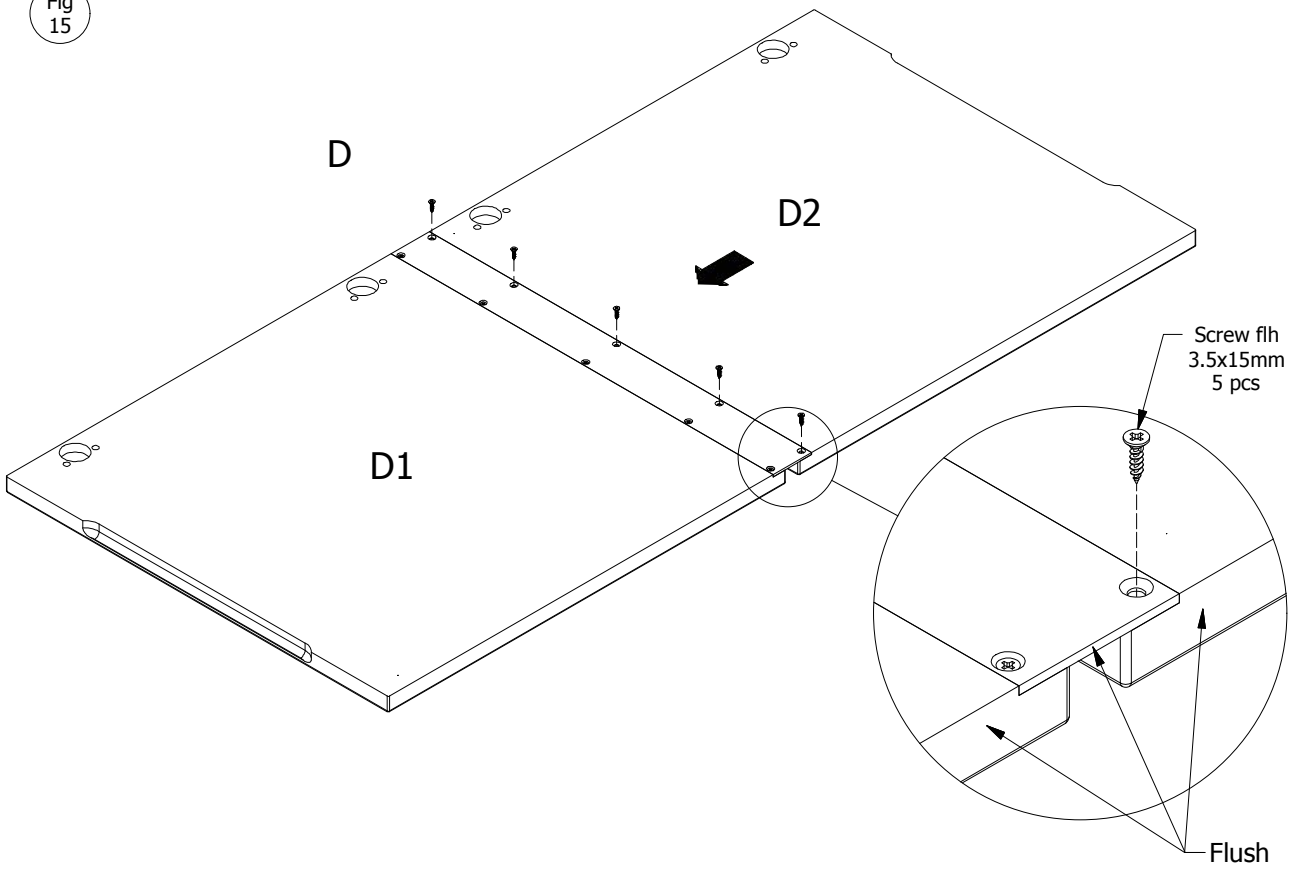


Fig 16

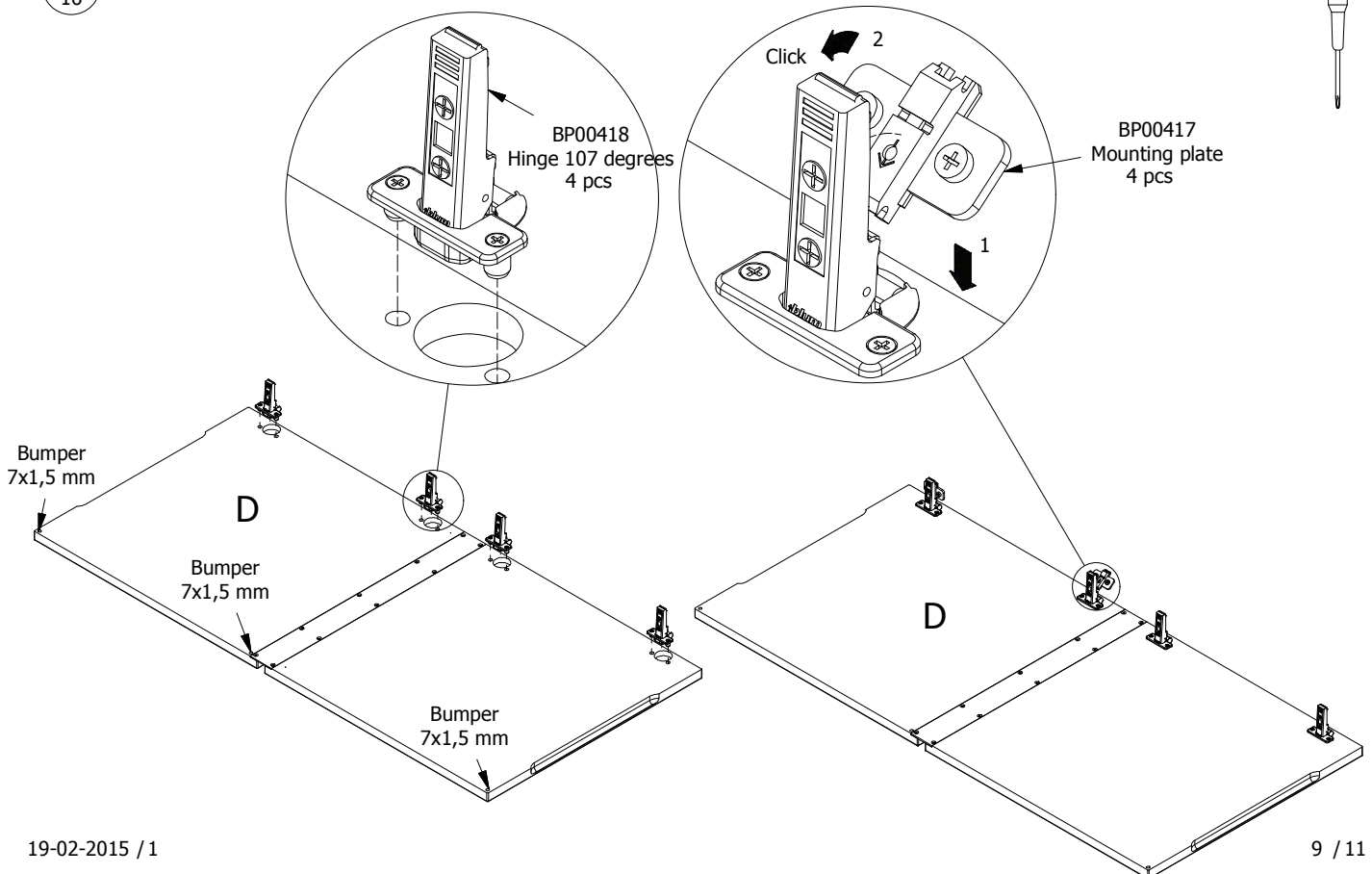
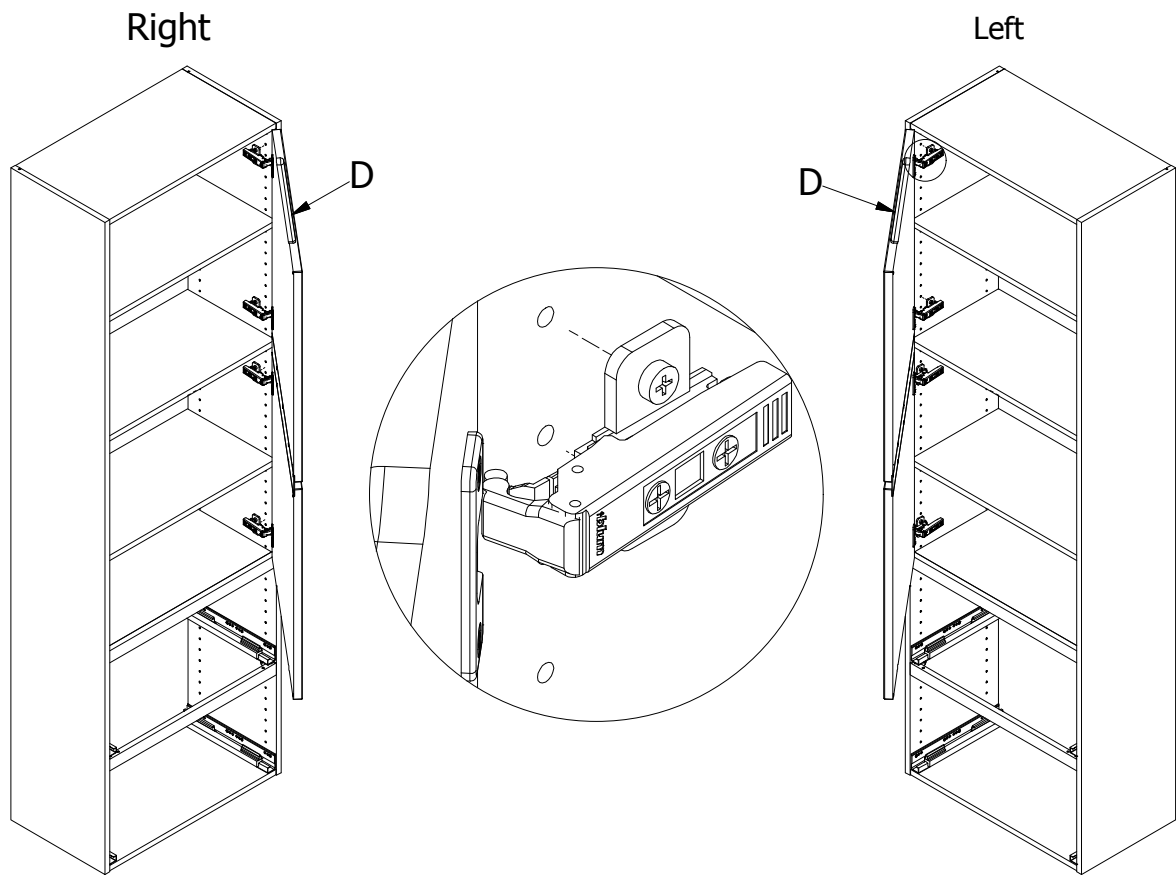


Fig 17



Adjustment

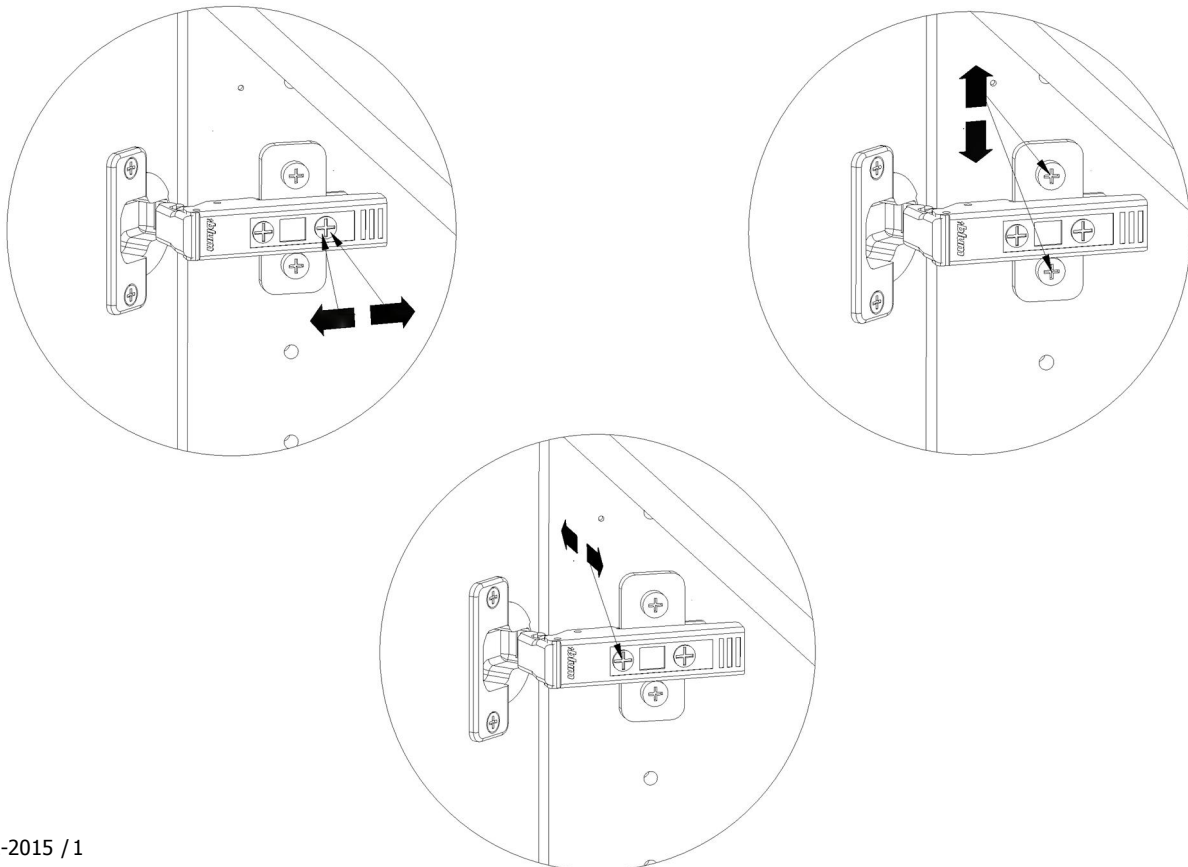


Fig
18

