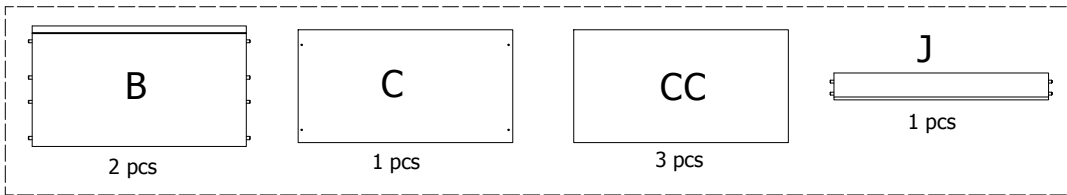


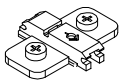
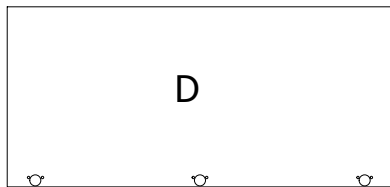
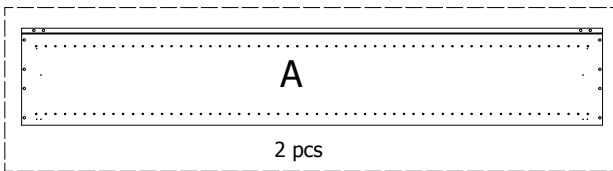
**kvik** 

**DSH9220**

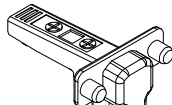
**BH32\*\*,000**



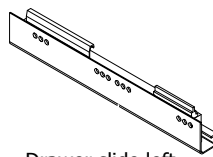
**HS19232,000**



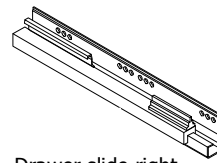
**BP00417**  
Mounting plate  
3 pcs



**BP00418**  
Hinge 107 degrees  
3 pcs



Drawer slide left  
300  
2 pcs



Drawer slide right  
300  
2 pcs

**BP00270-BP00250-BP00028**

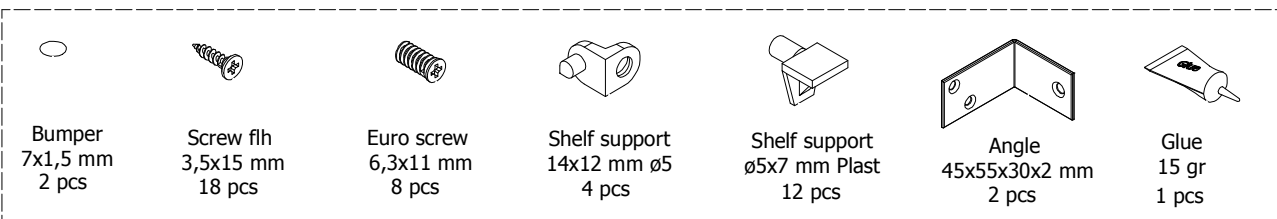


FIG. 1

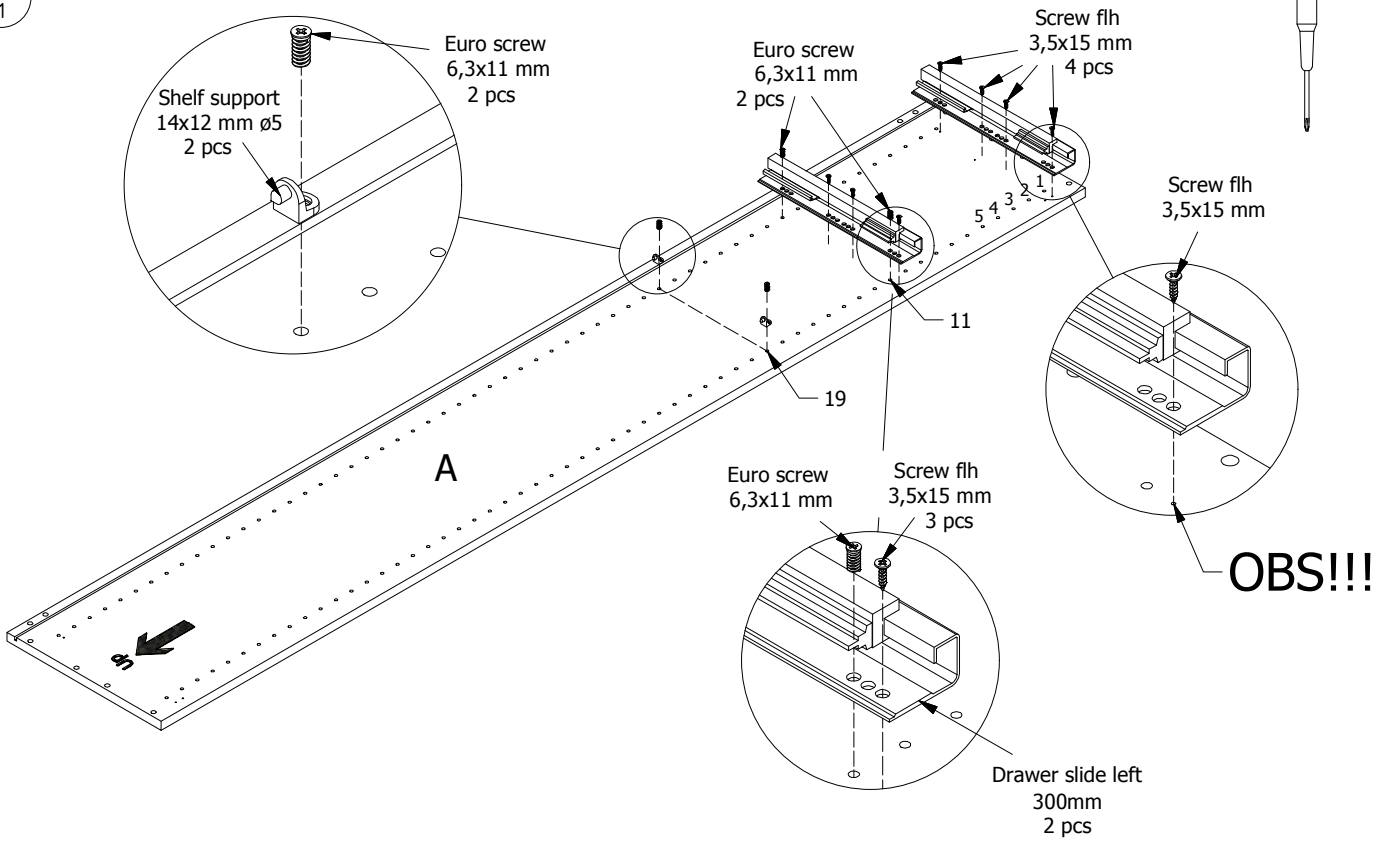


FIG. 2

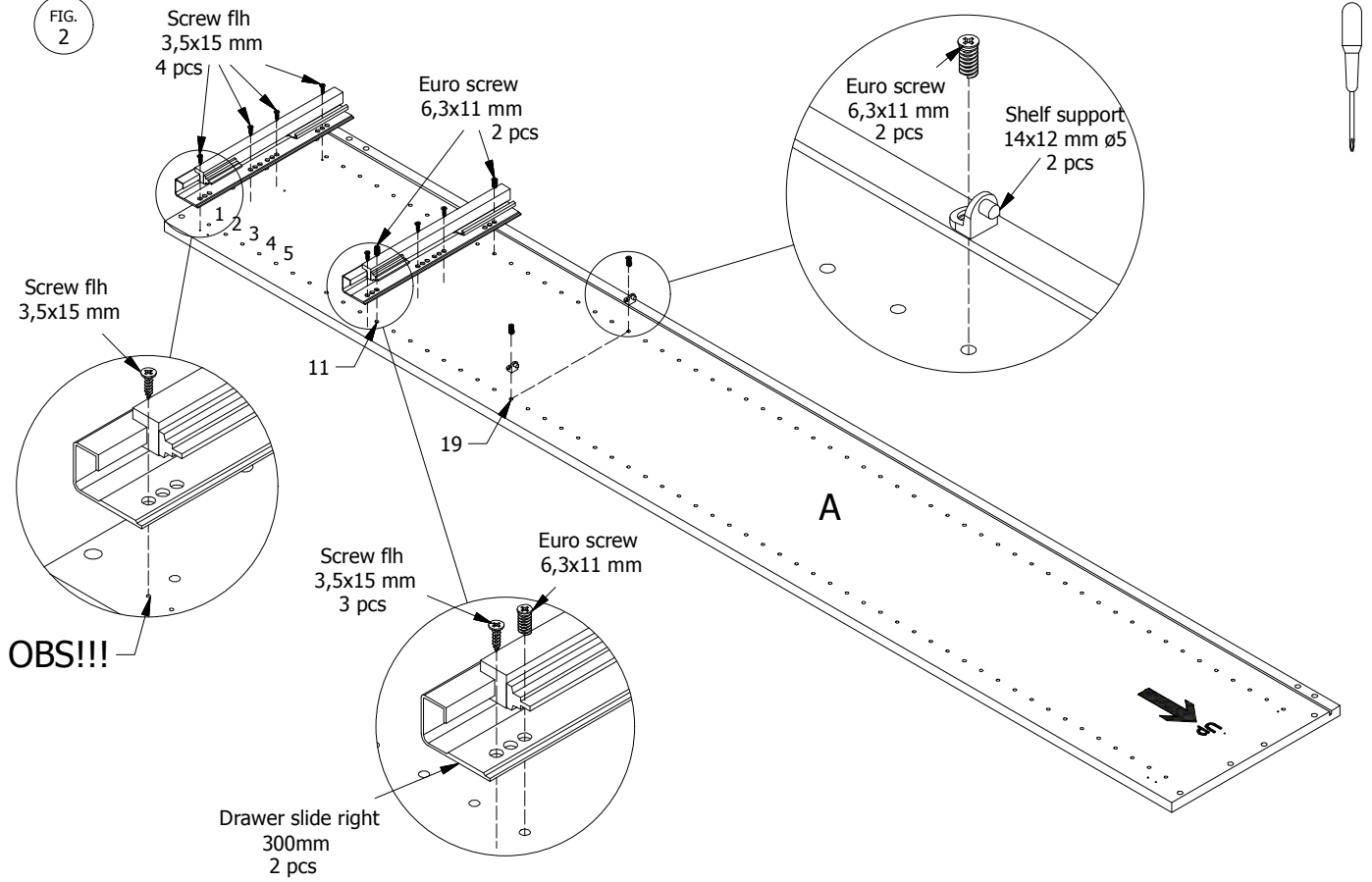


FIG. 3

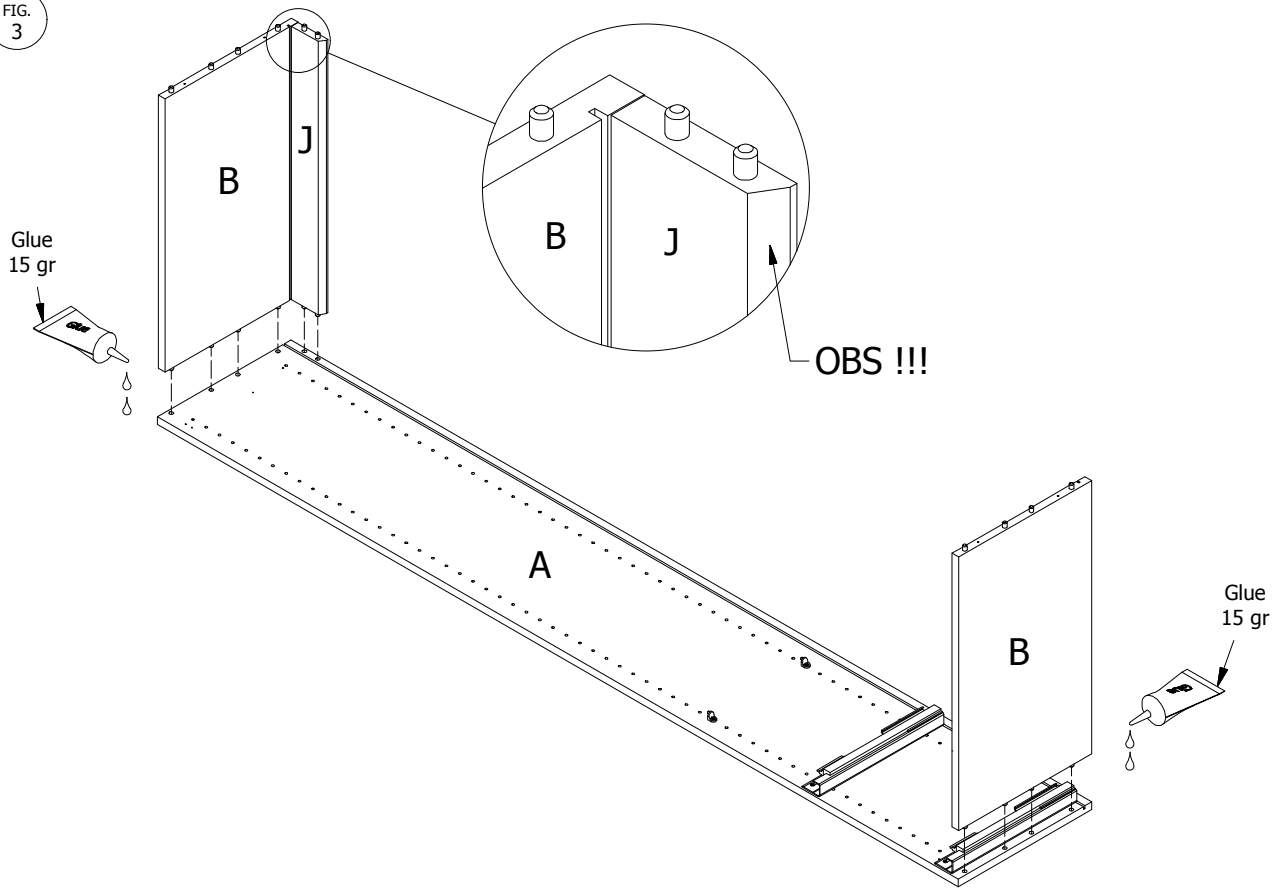


FIG. 4

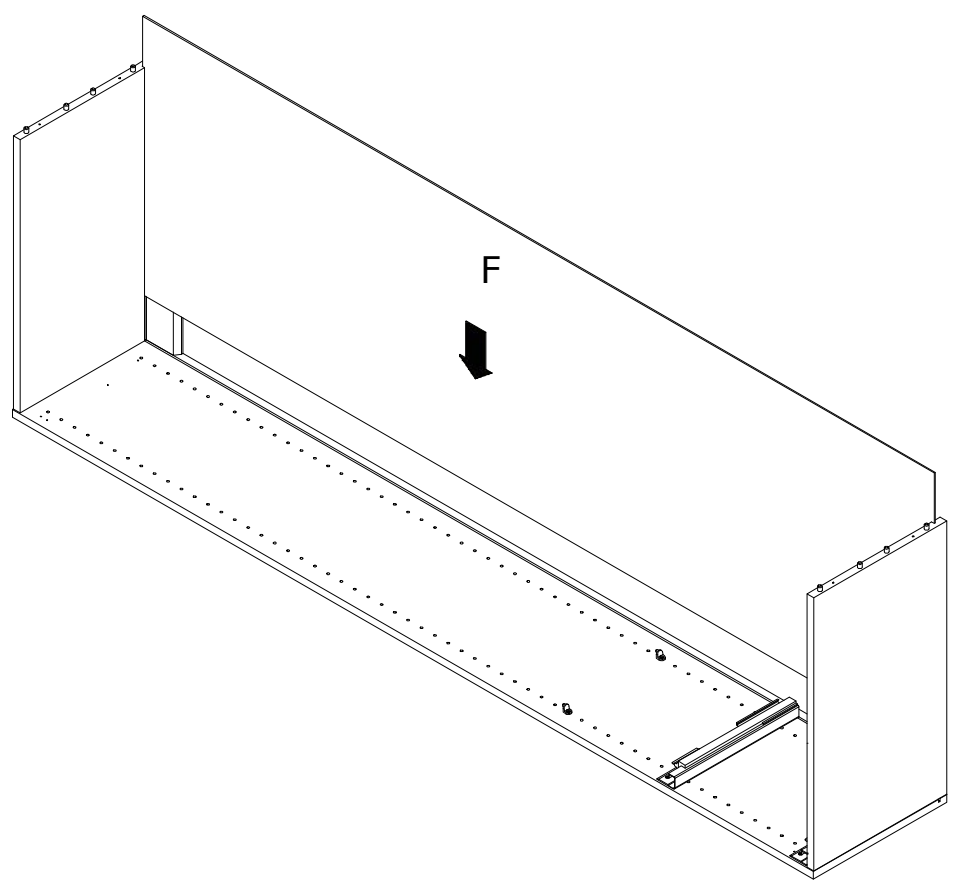


FIG. 5

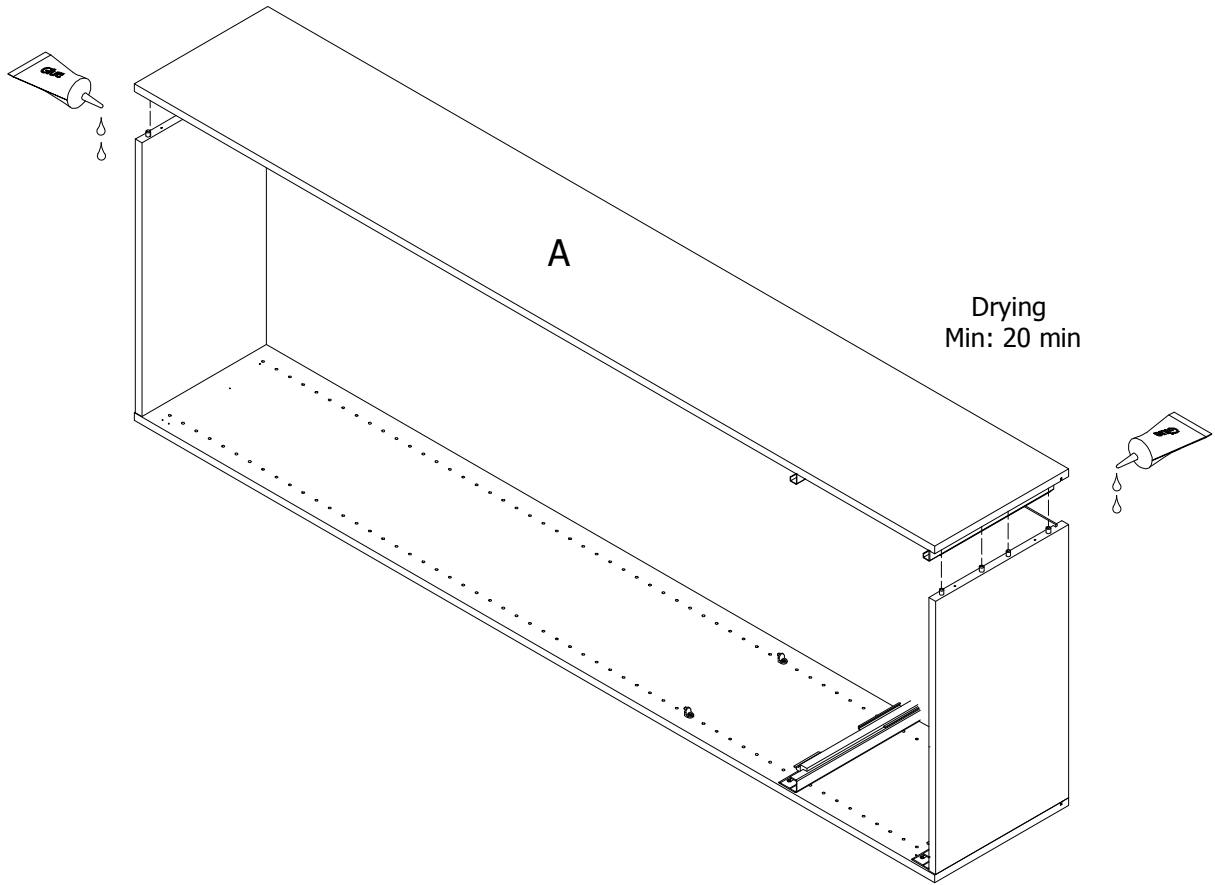


FIG. 6

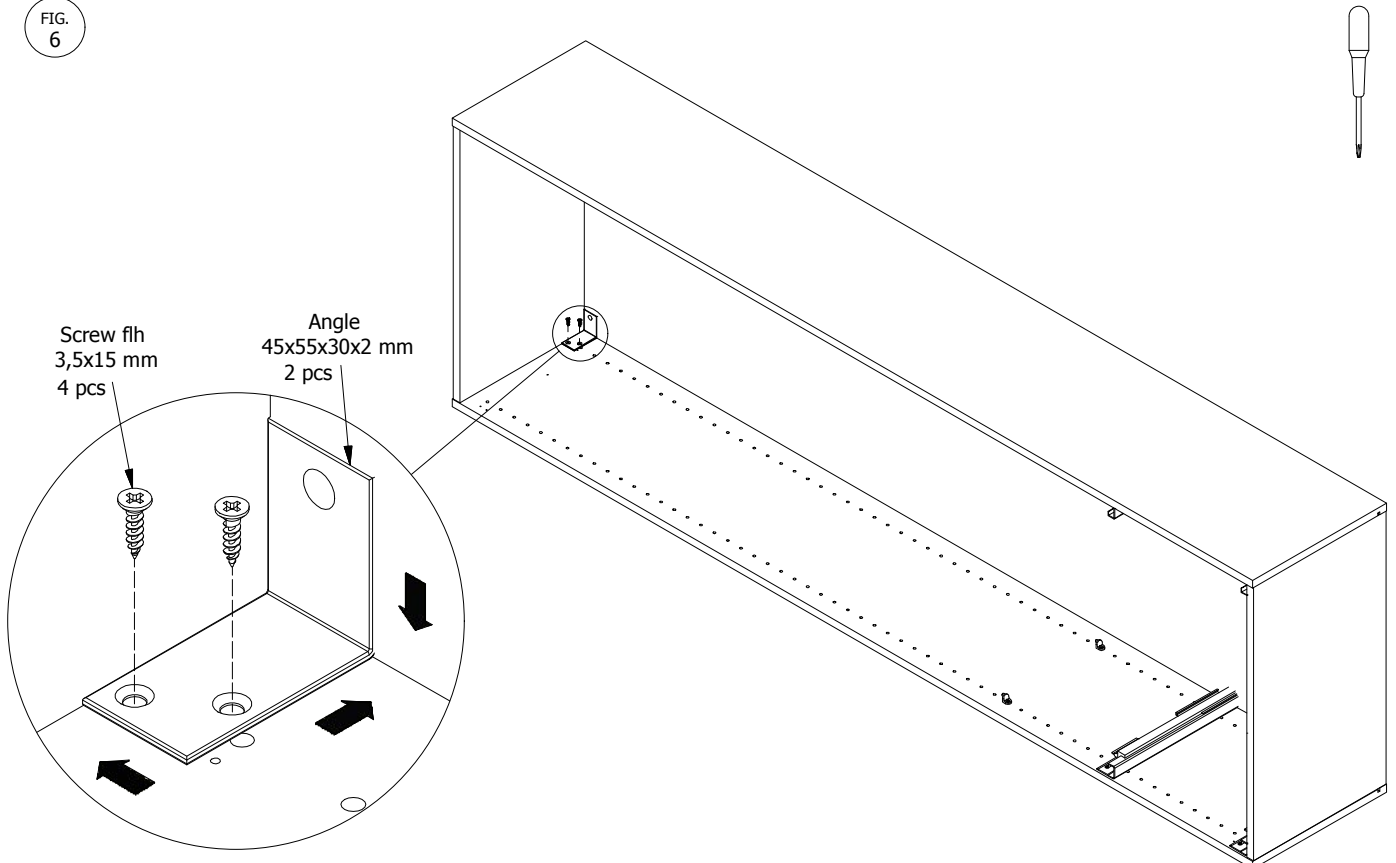


FIG. 7

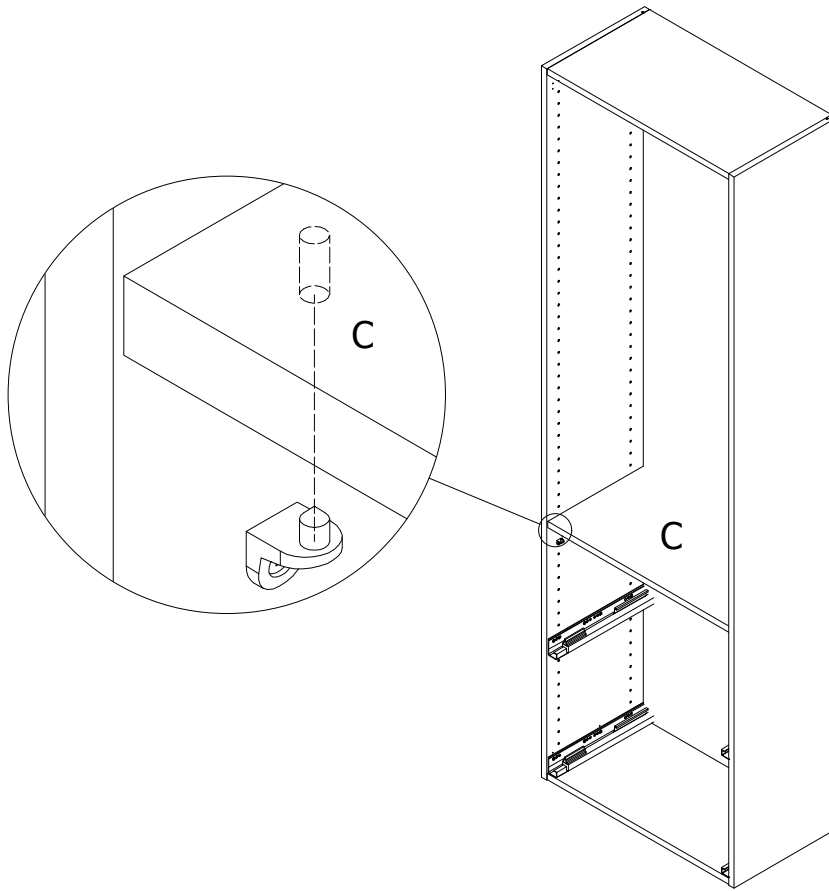


FIG. 8

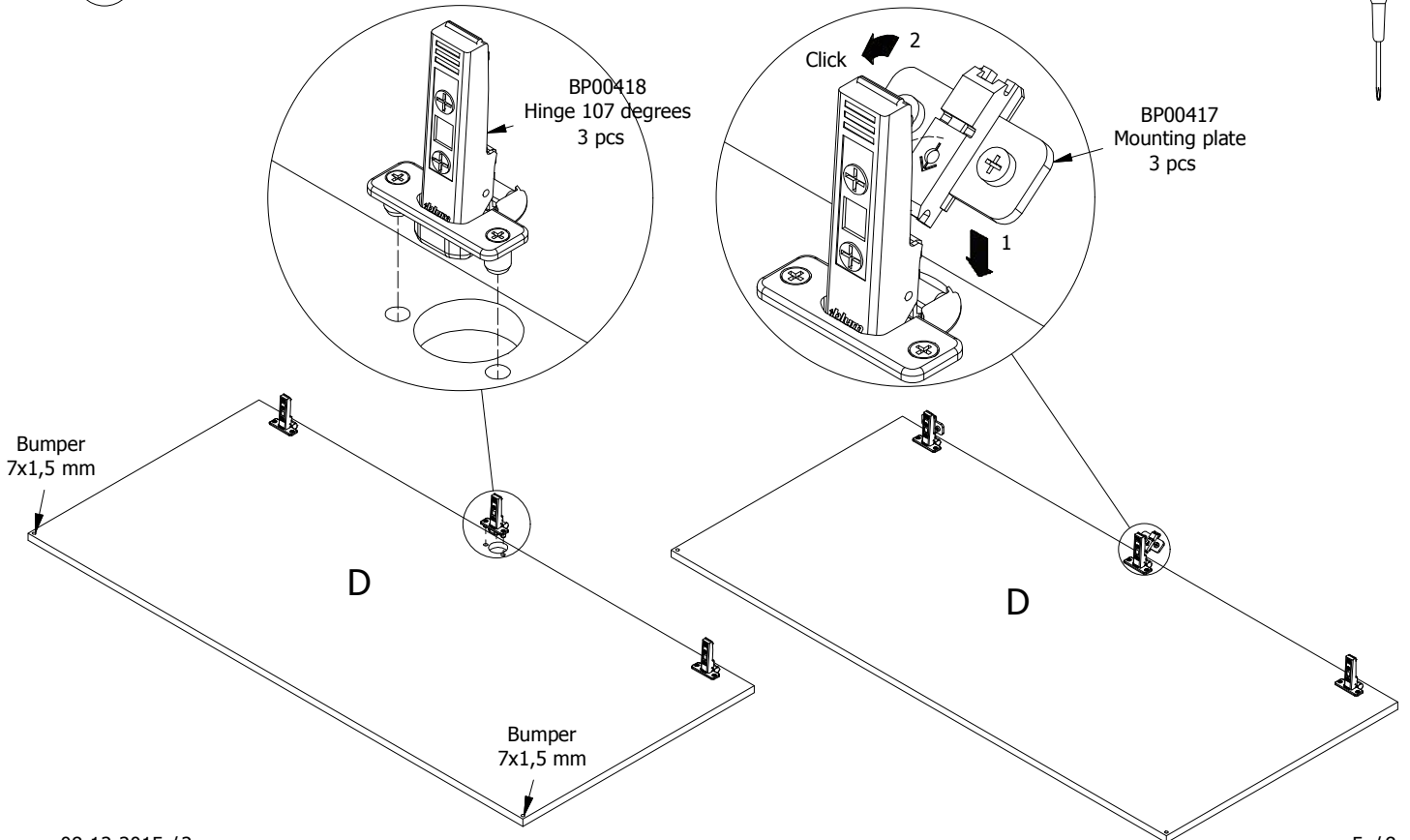
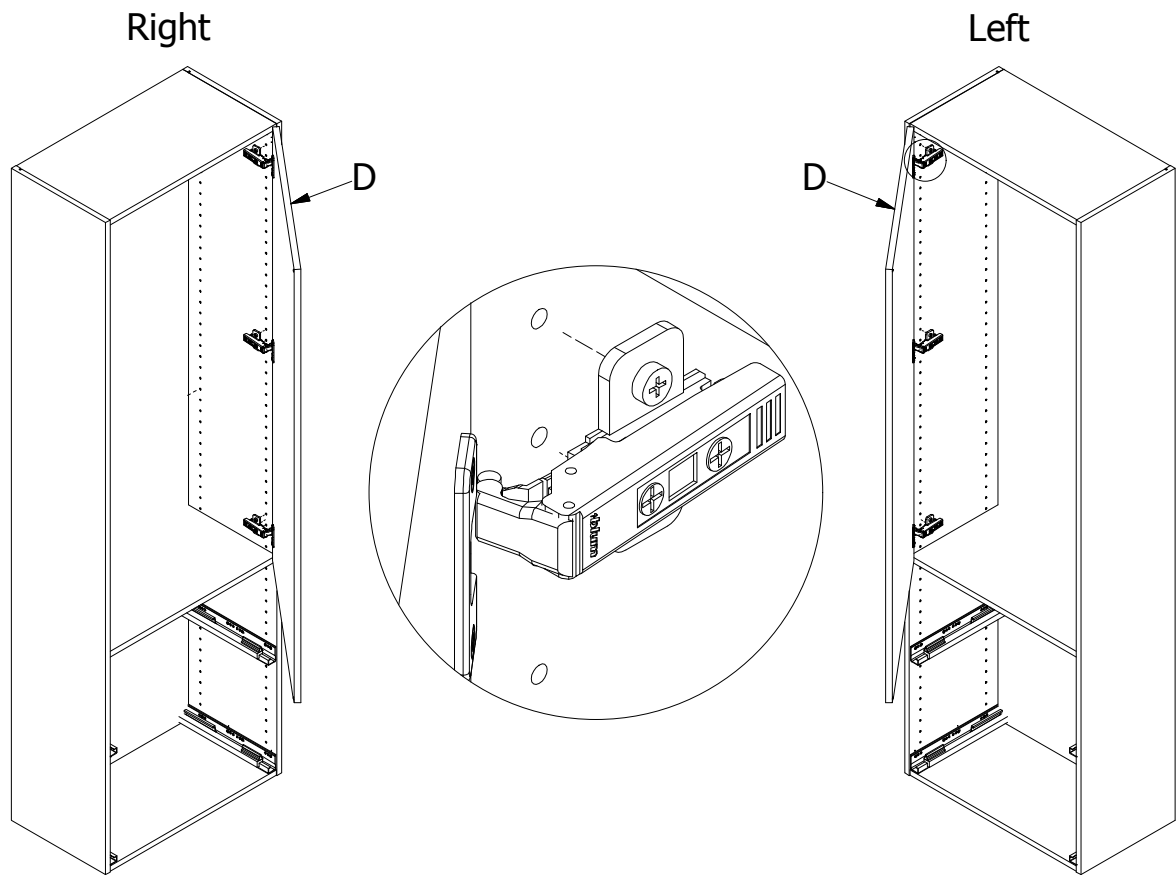


FIG. 9



### Adjustment

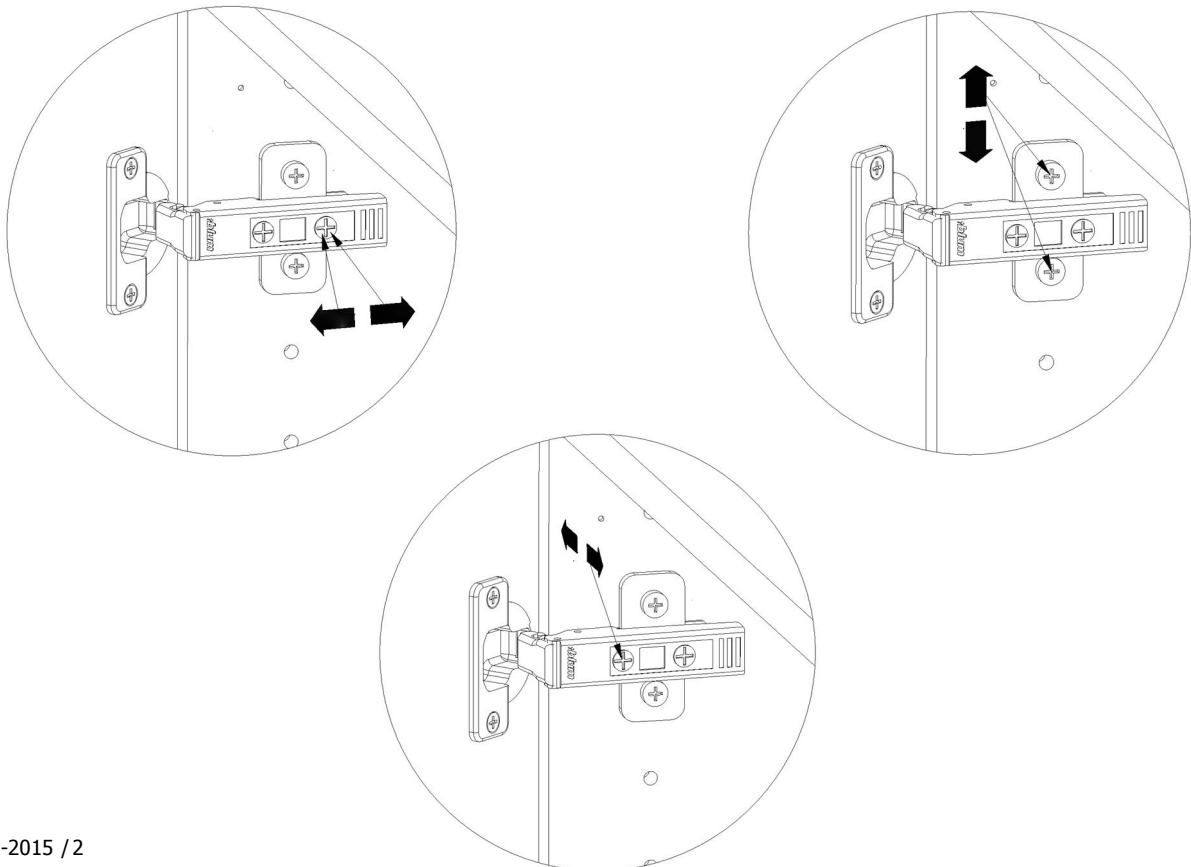


FIG.  
10

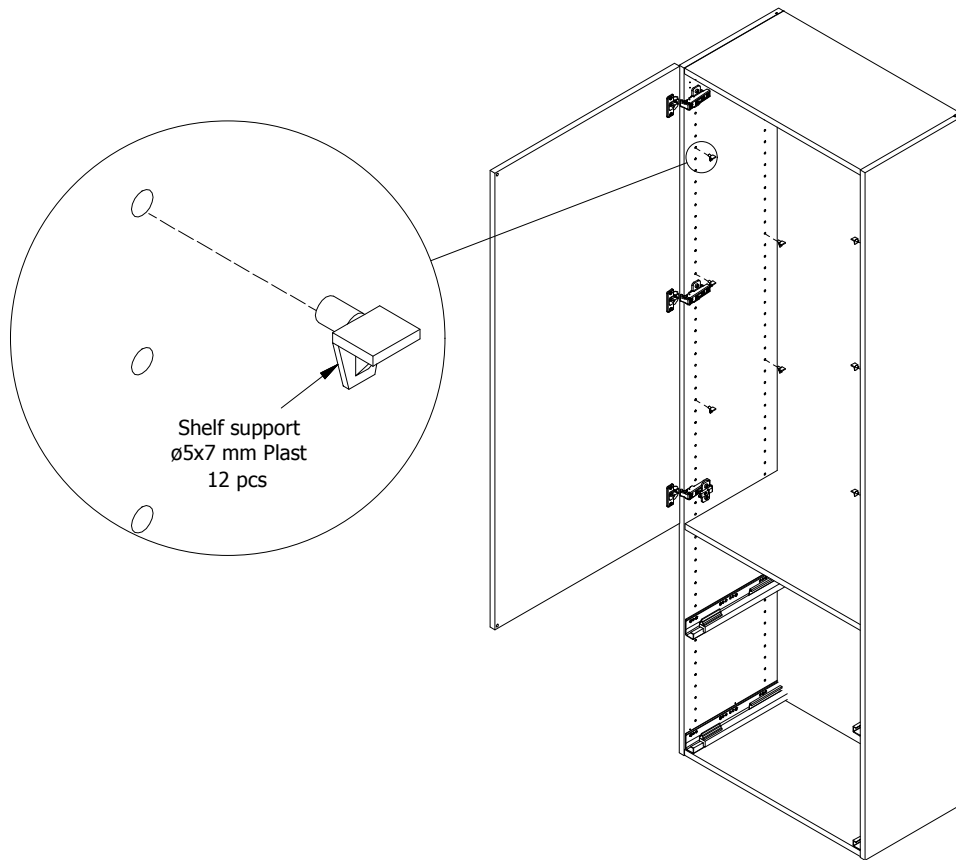


FIG.  
11

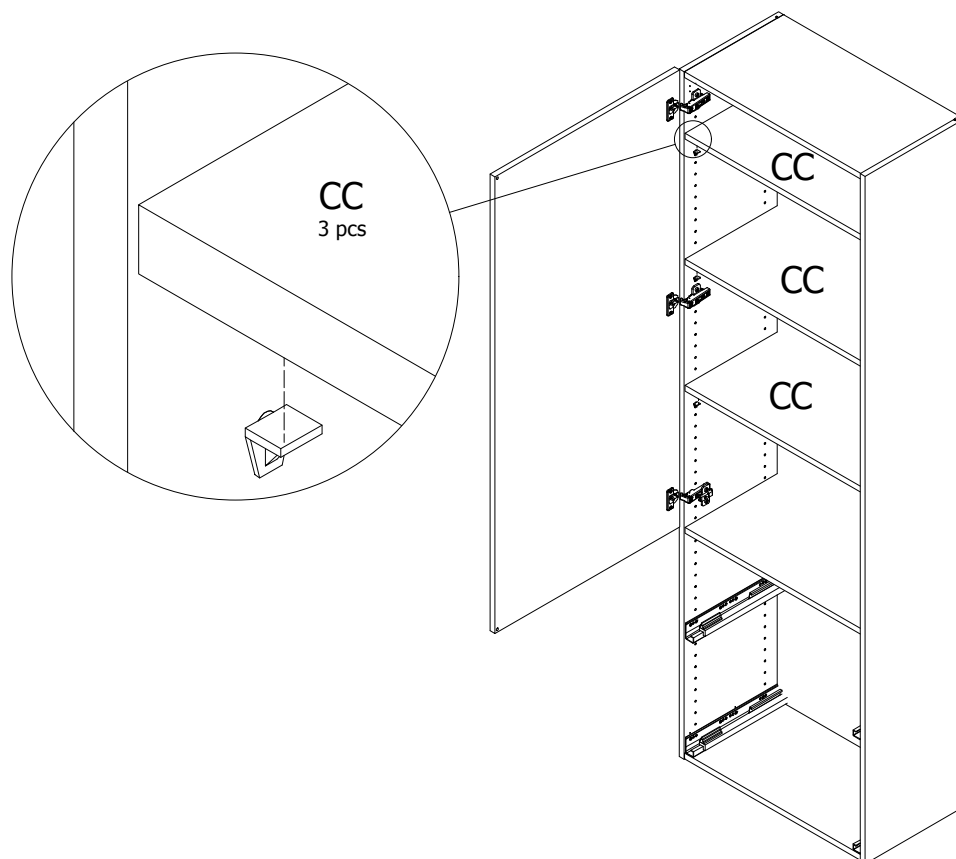


FIG.  
12

