

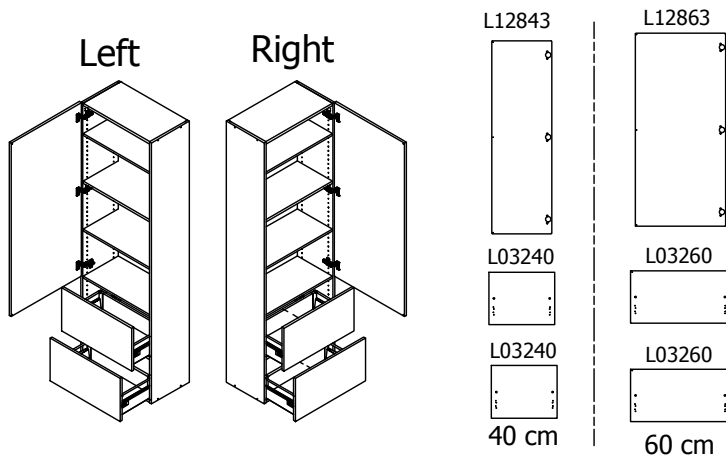
kvik



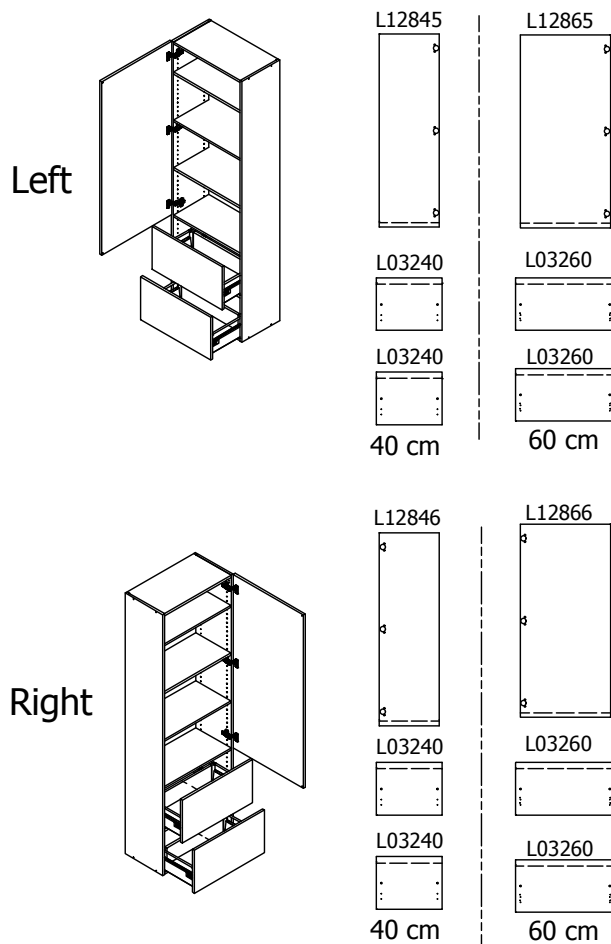
Check out easy mounting of you bath

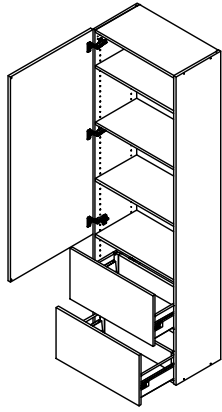
DSH9220

Front without integrated handle



Front with integrated handle





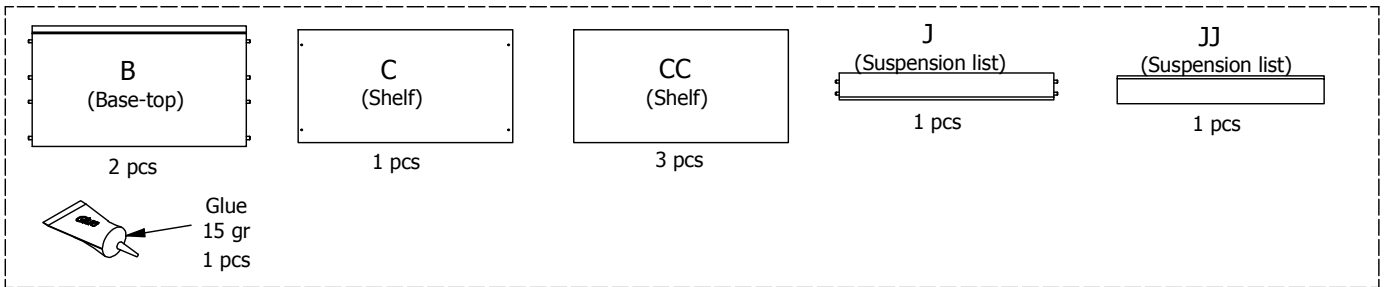
kvik



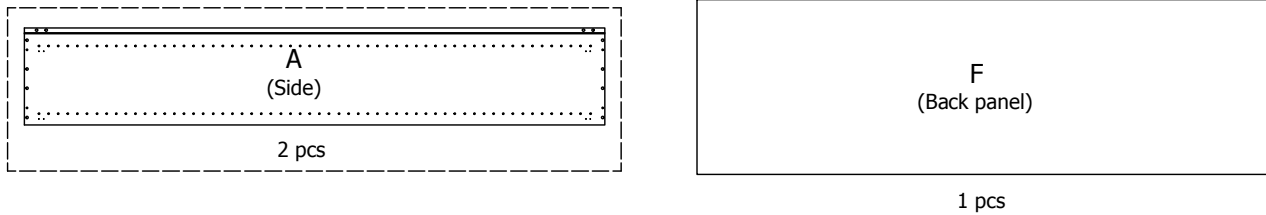
Check out easy
mounting of you bath

DSH9220

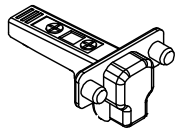
BH32*2,000 / 176



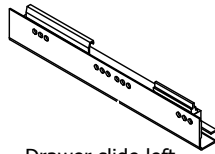
HS19232,000 / KVIK



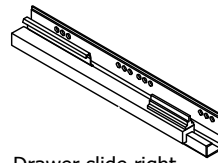
BP00417
Mounting plate
3 pcs



BP00418
Hinge 107 degrees
3 pcs



Drawer slide left
300
2 pcs



Drawer slide right
300
2 pcs

BP00270-BP00250

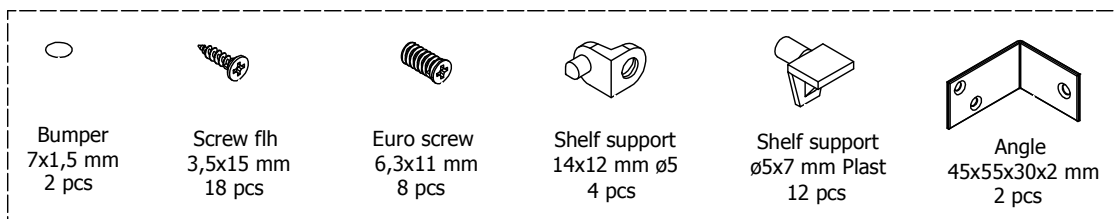


FIG. 1 Side Left

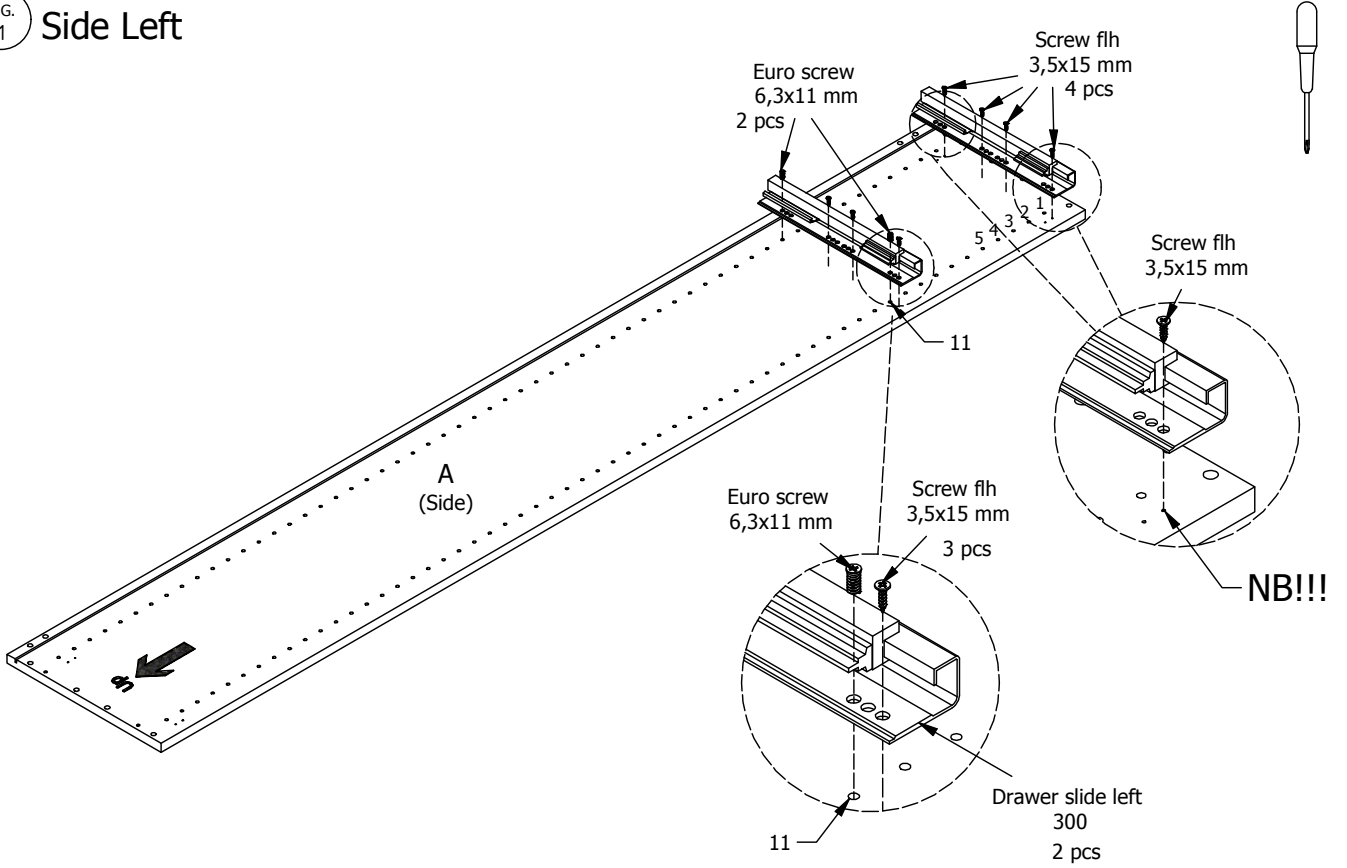


FIG. 2 Side Right

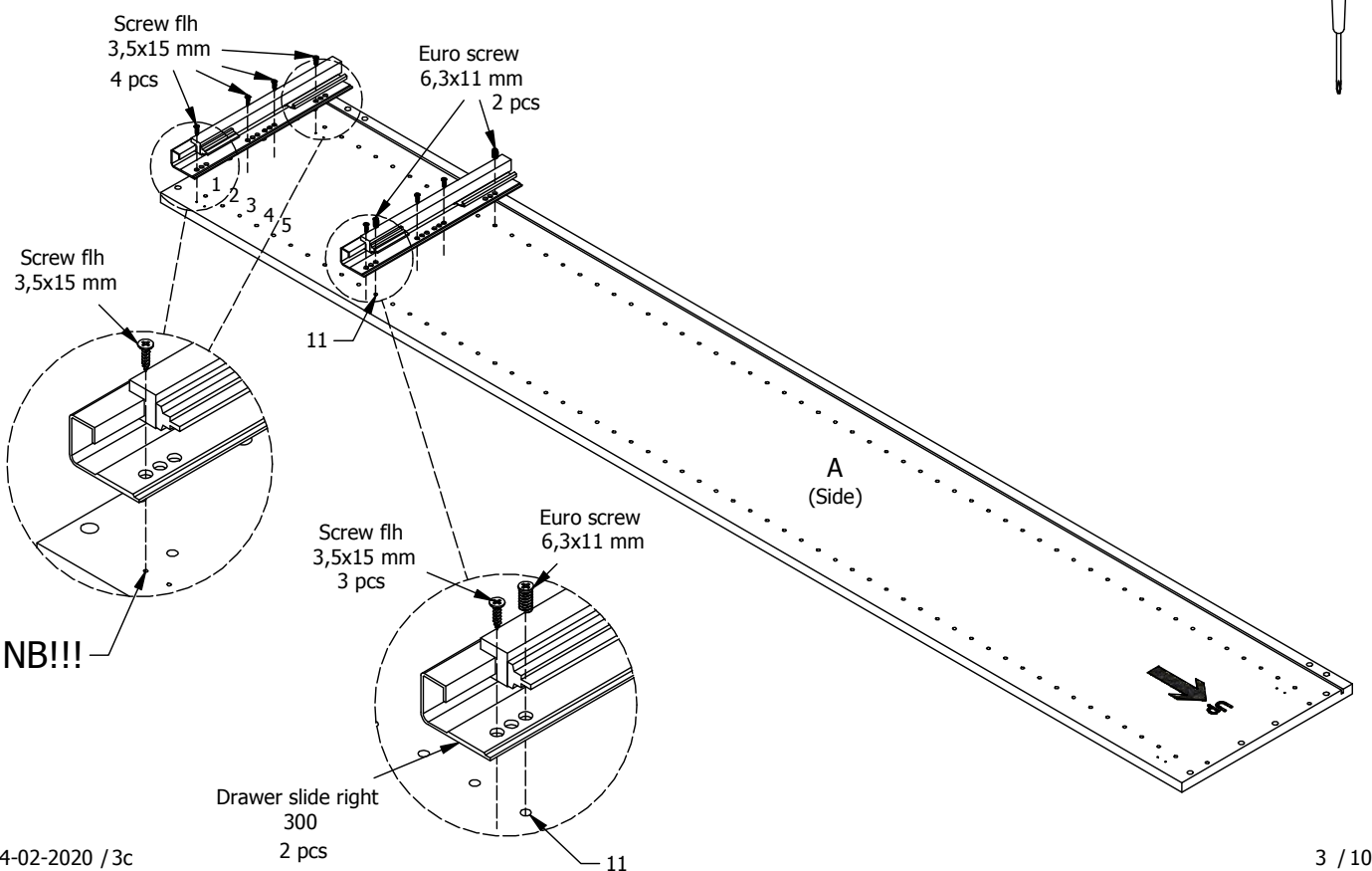


FIG. 3 Side Left

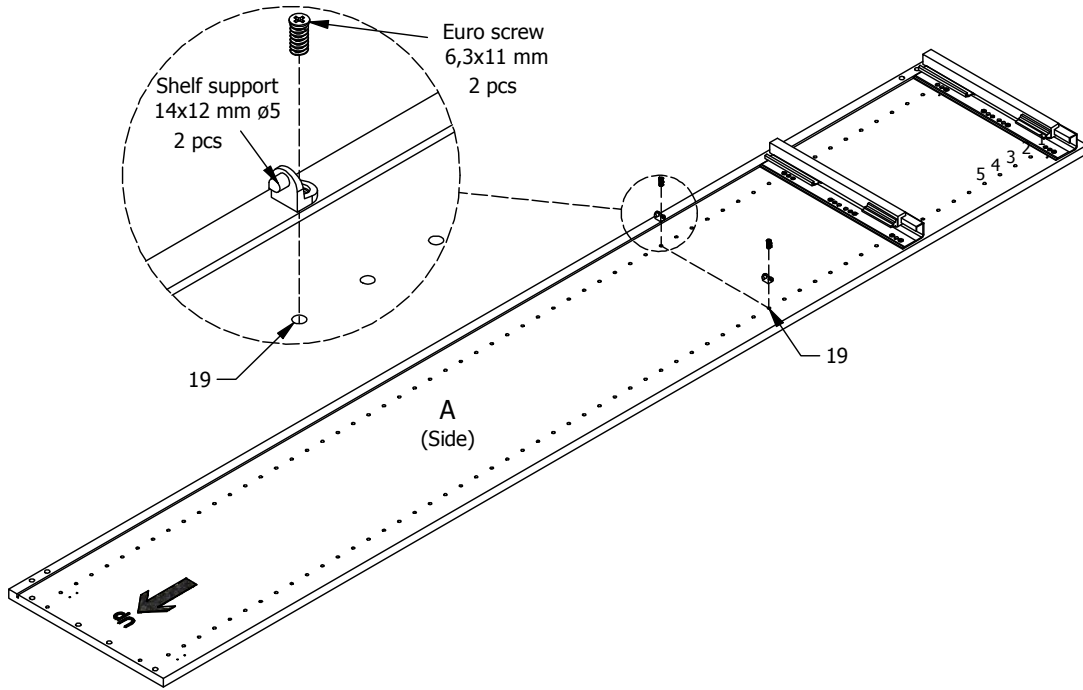


FIG. 4 Side Right

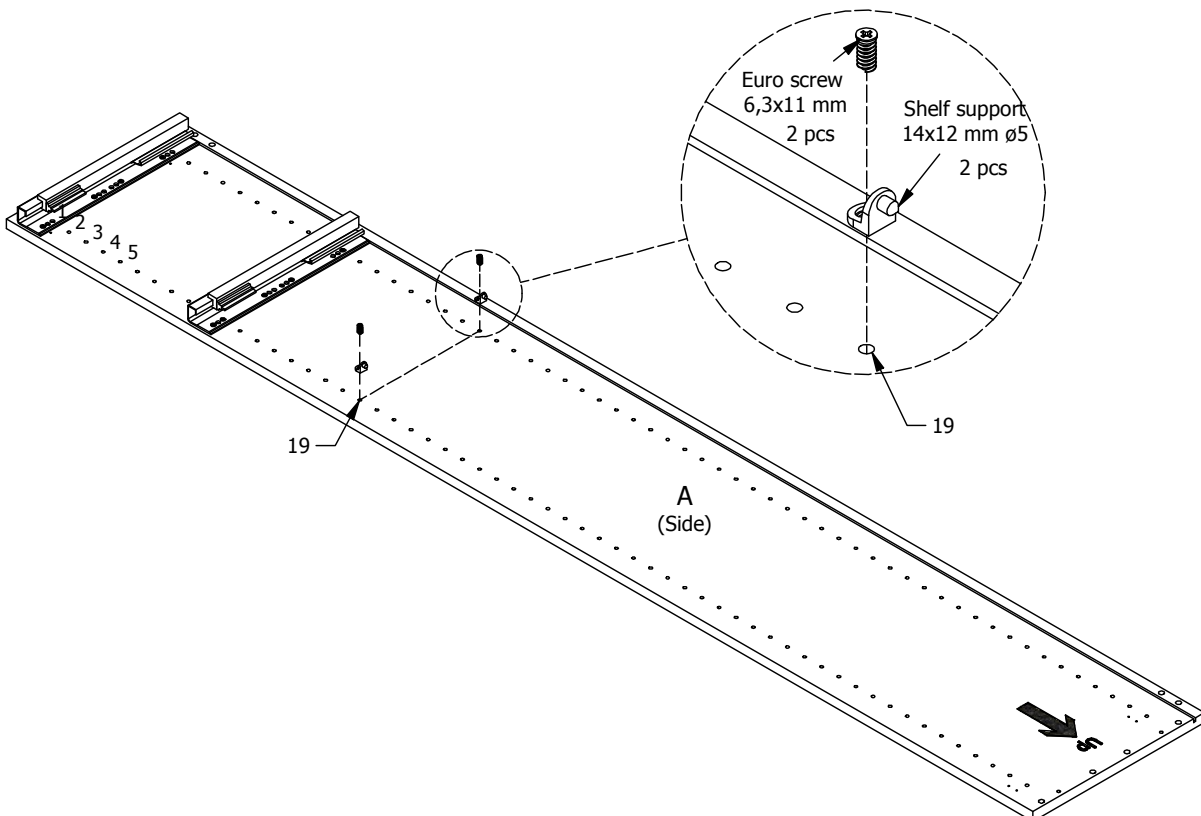


FIG. 5

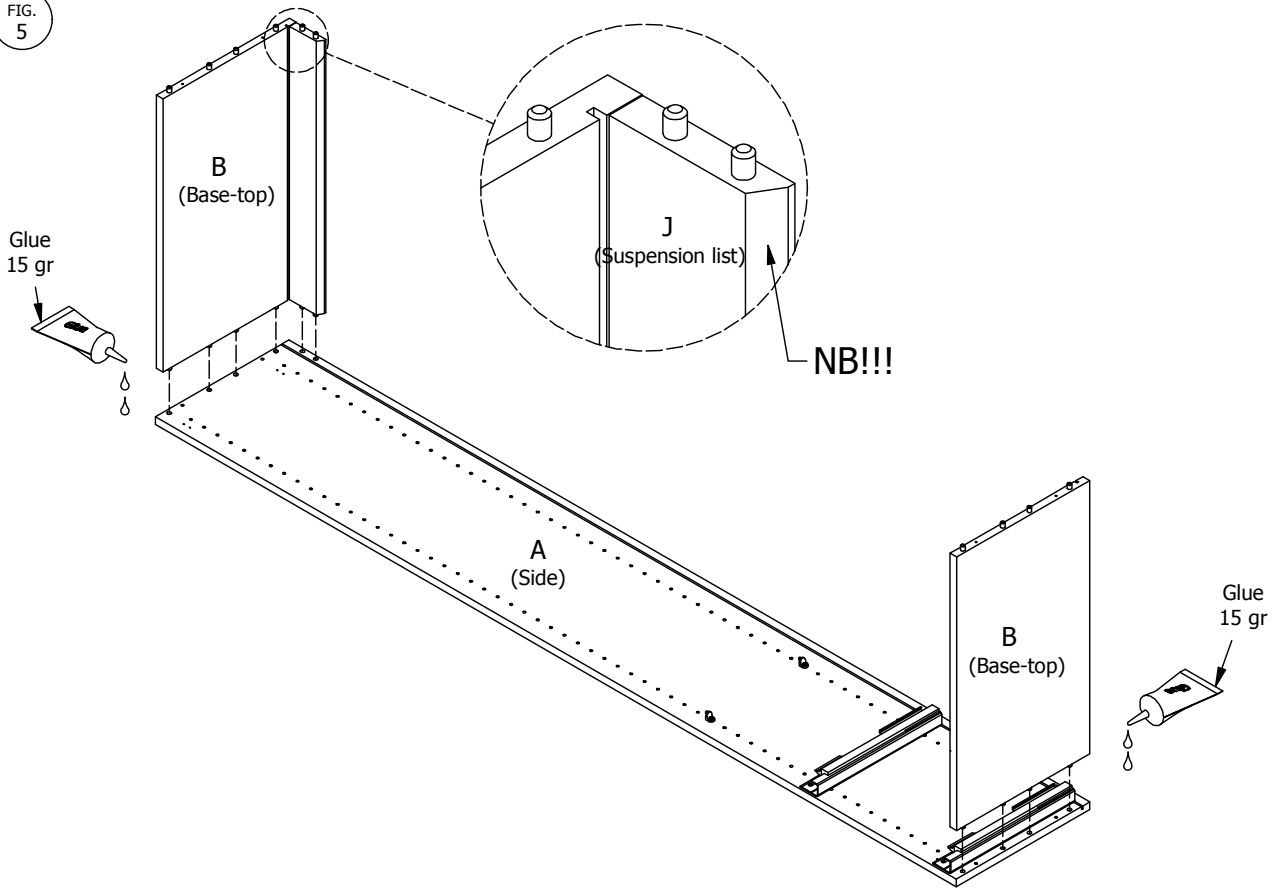


FIG. 6

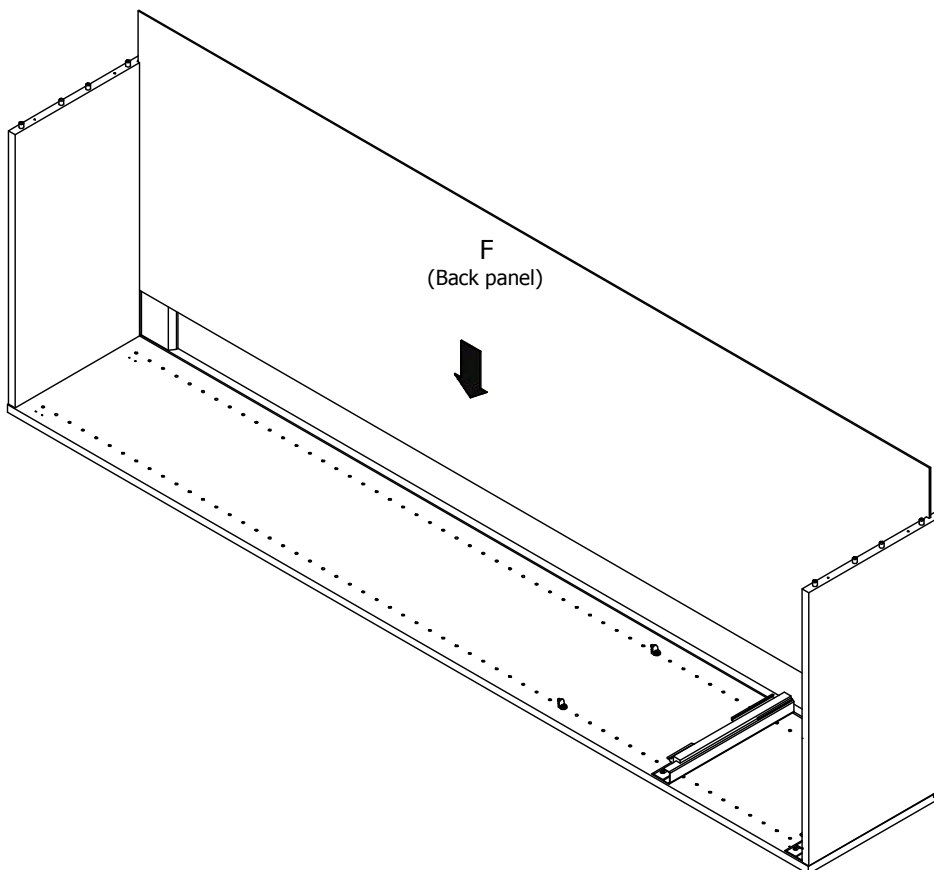


FIG. 7

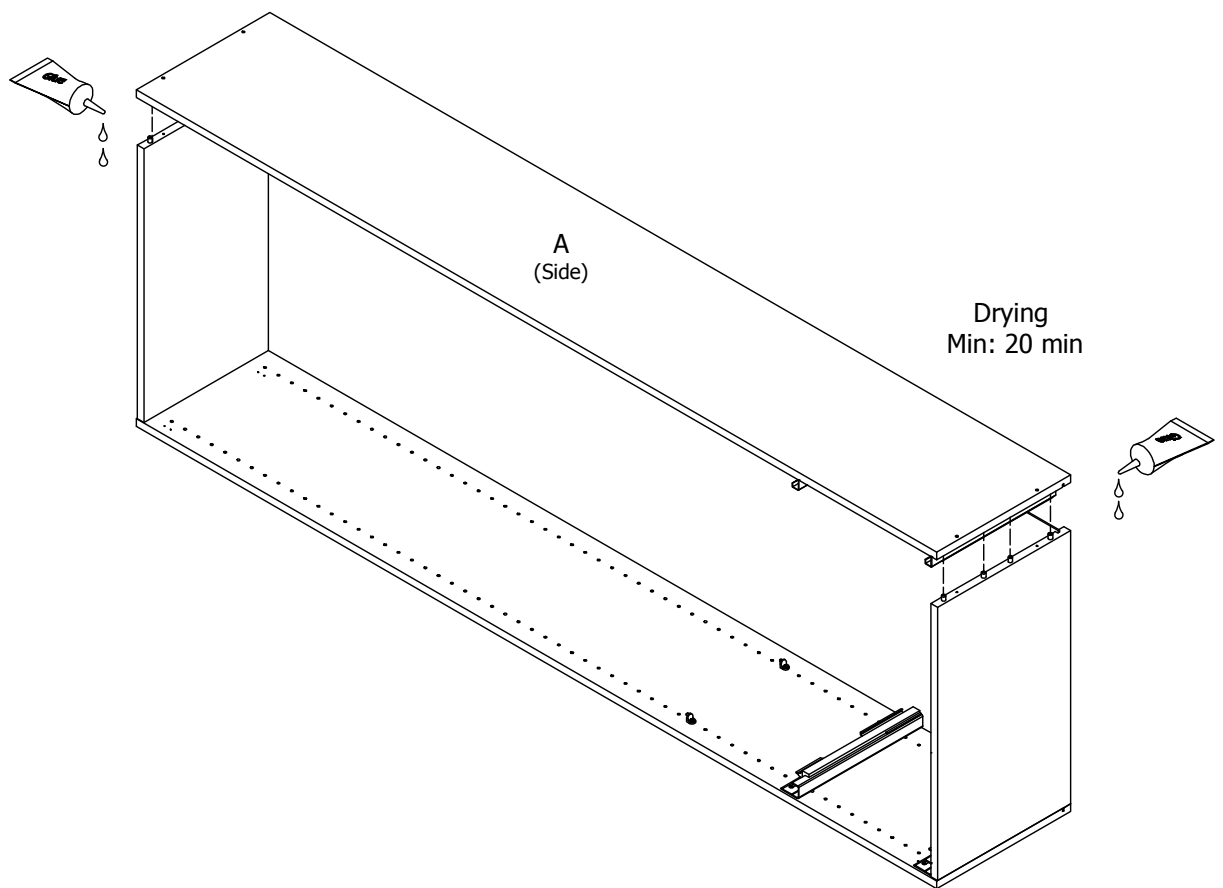


FIG. 8

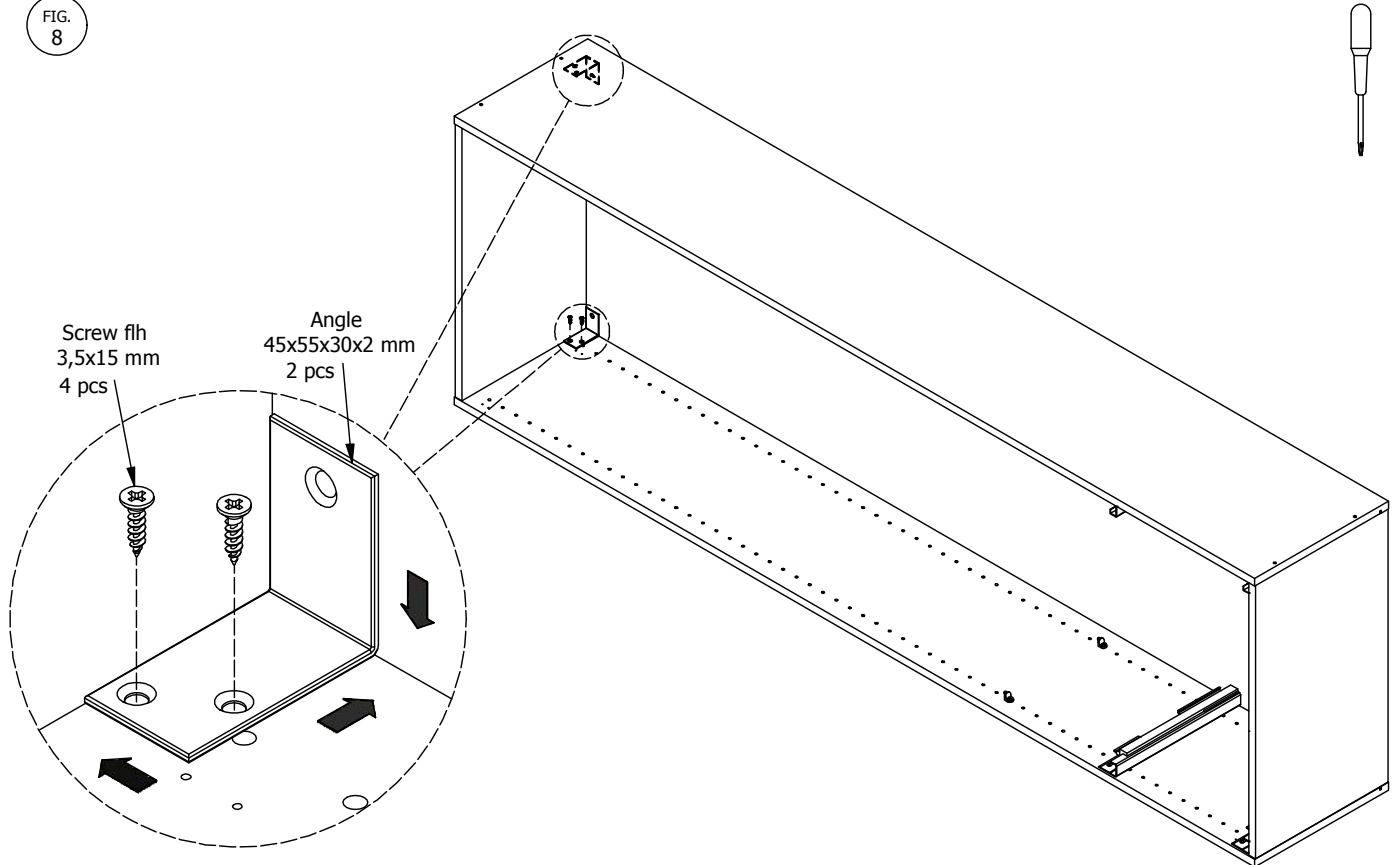


FIG. 9

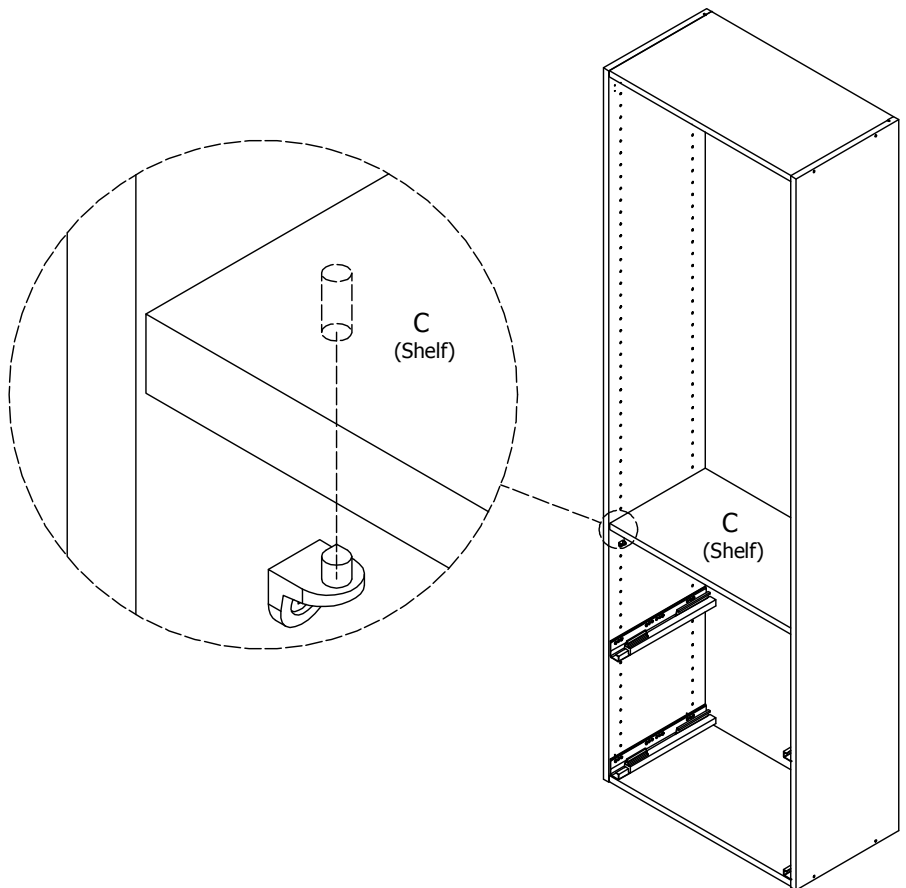


FIG. 10

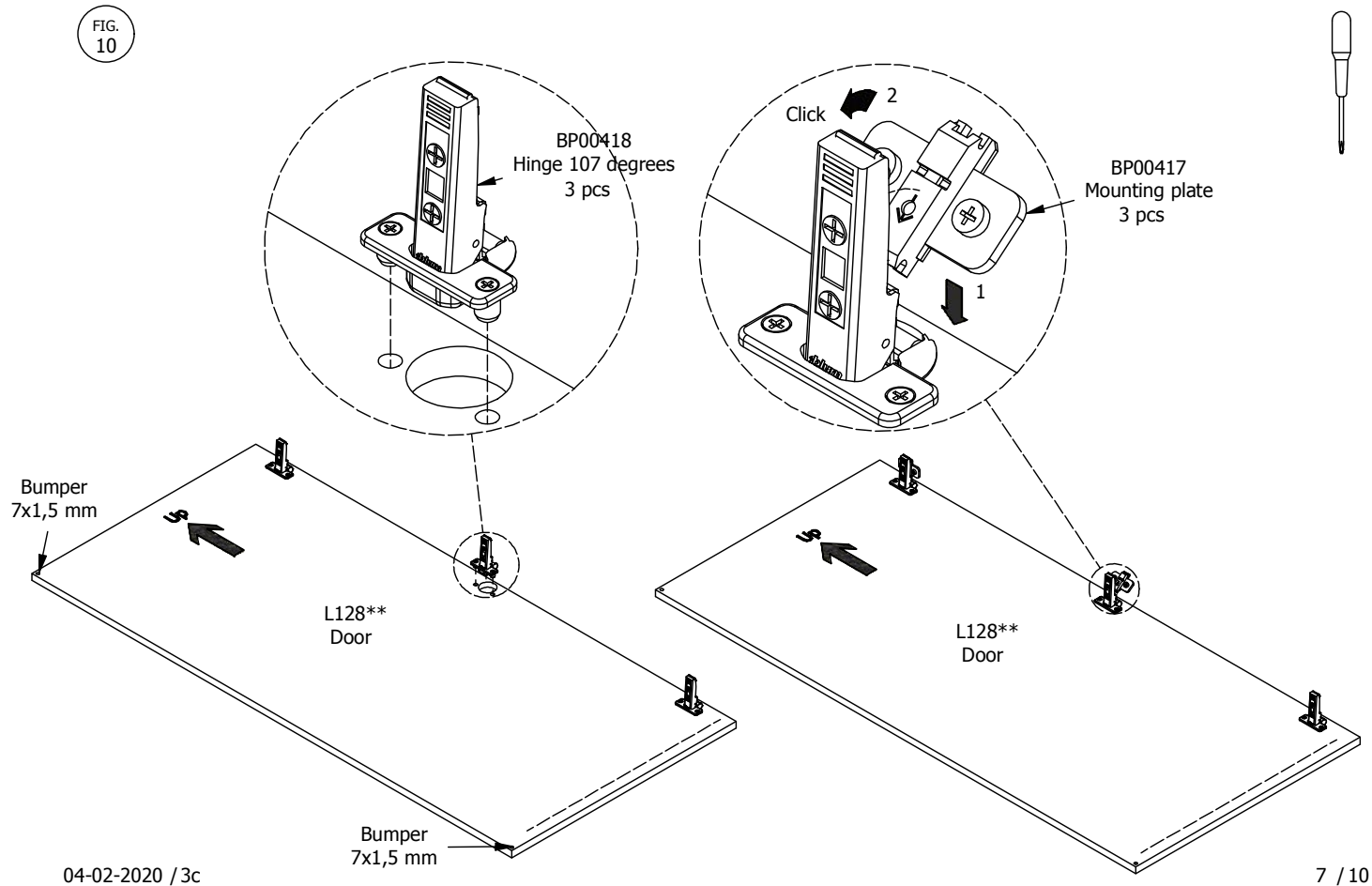
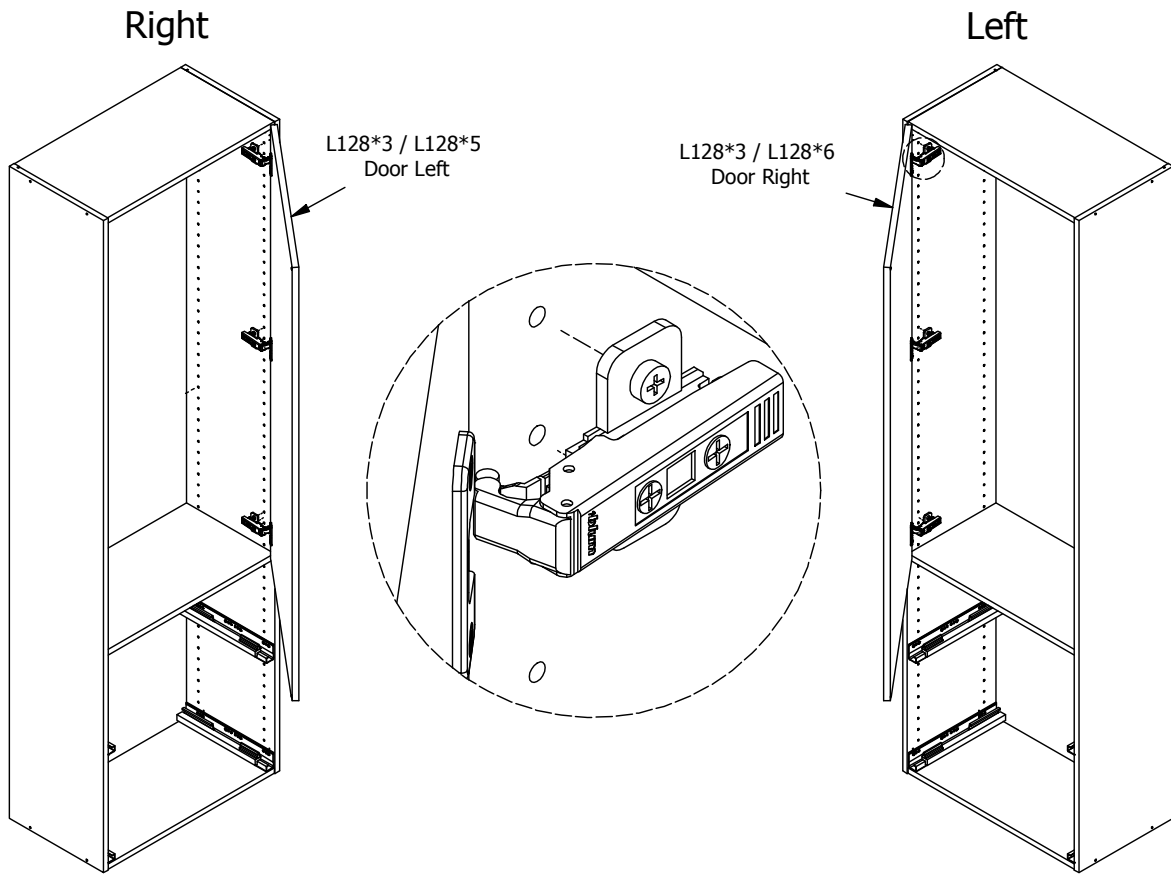


FIG. 11



Adjustment

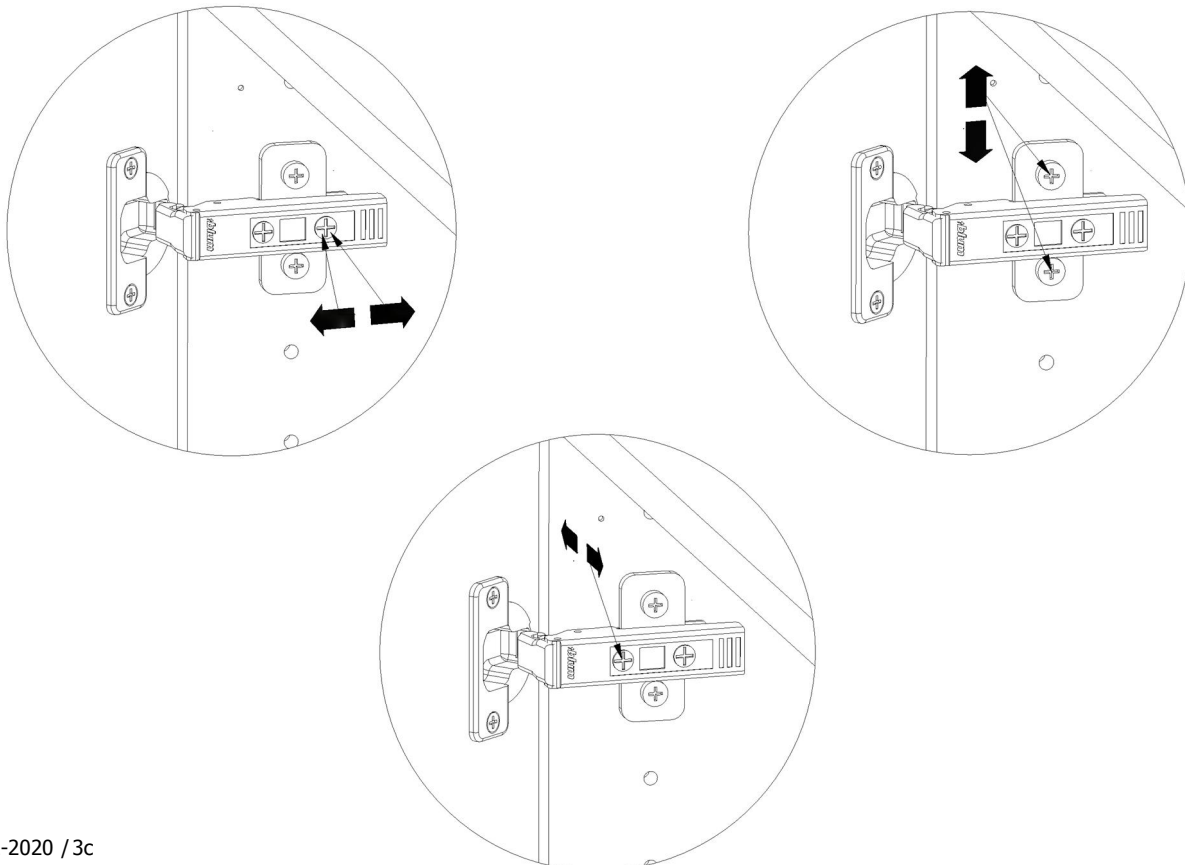


FIG.
12

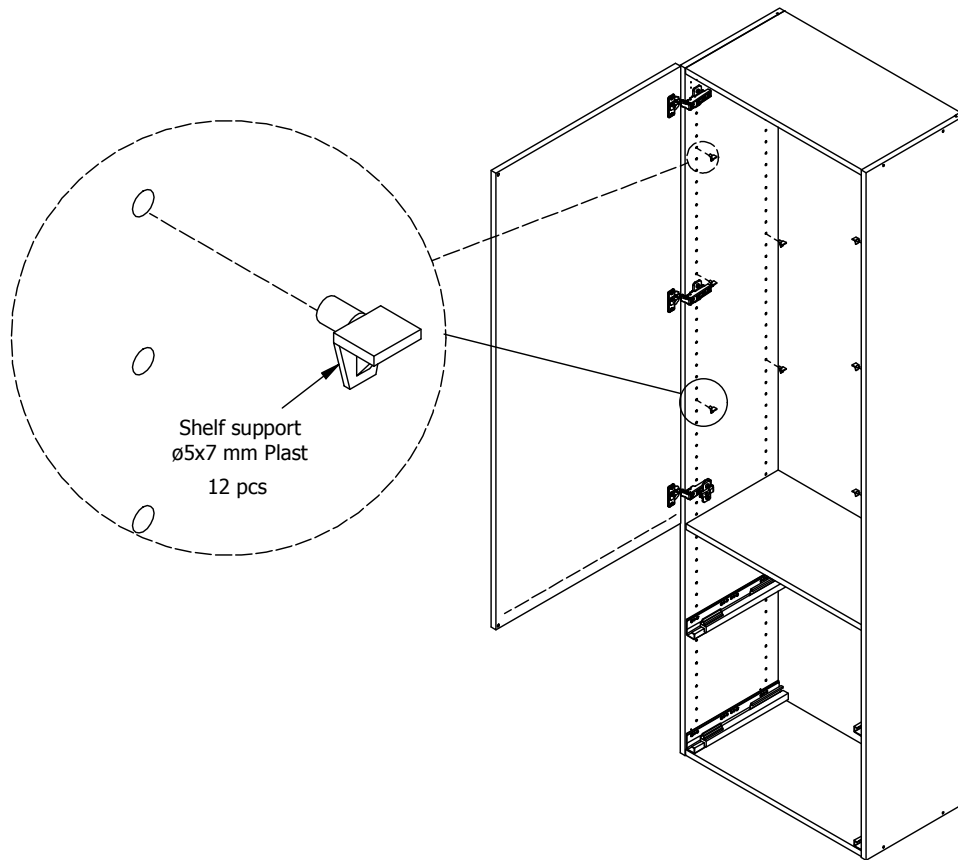


FIG.
13

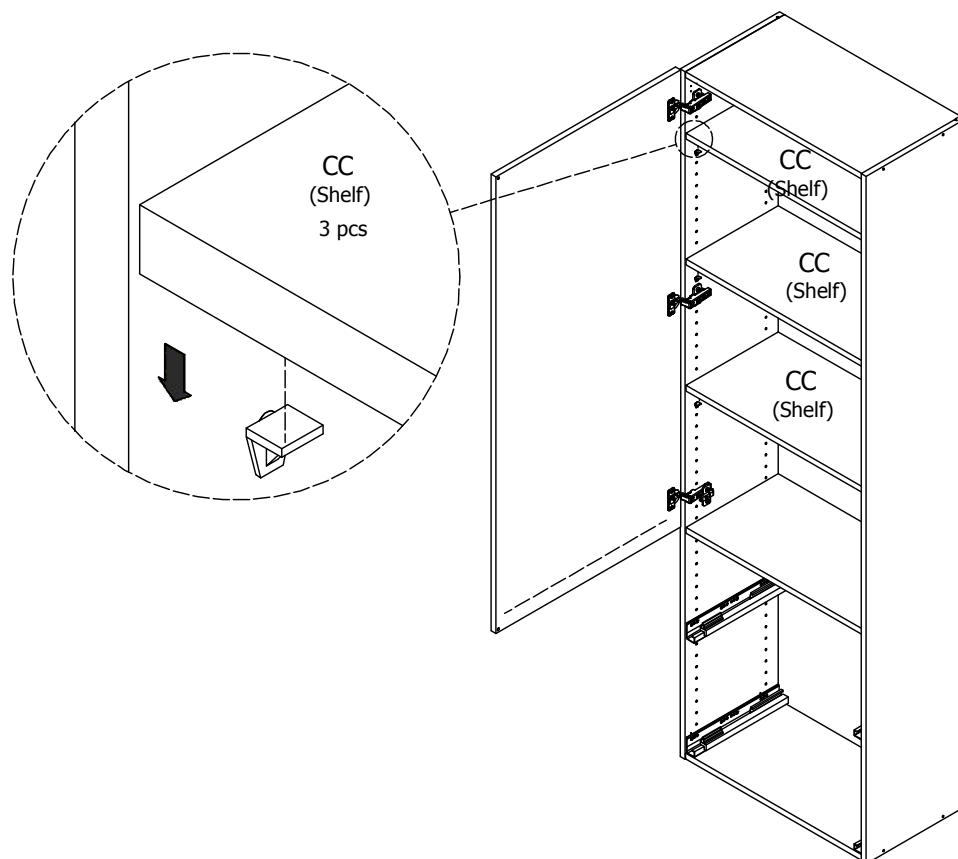
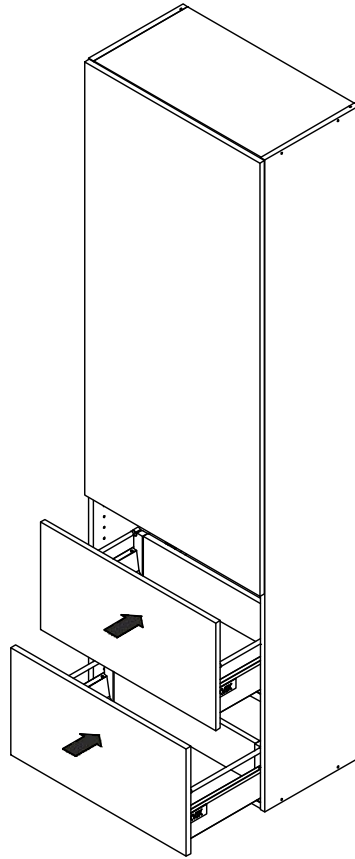


Fig
14



Installation, please read instruction SV12224



SV12224

How to wall mount a cabinet . . .

19-12-2019 / 1a

1 / 7

The diagram shows a cabinet being mounted to a wall. On the left, a green dashed outline represents the wall-mounted frame. On the right, the cabinet is shown being inserted into this frame. The cabinet's back panel has mounting brackets that align with the frame. The text 'SV12224' is at the top, and 'How to wall mount a cabinet . . .' is below it. At the bottom left is '19-12-2019 / 1a' and at the bottom right is '1 / 7'.