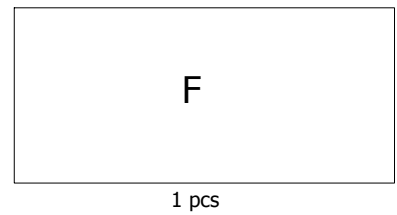
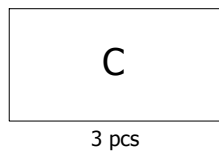
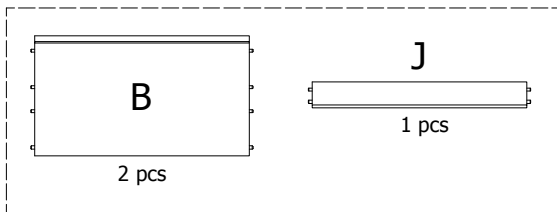


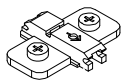
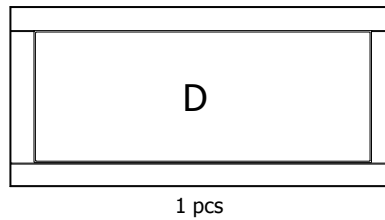
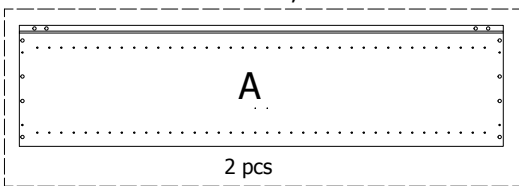
kvik

DSH2836,060

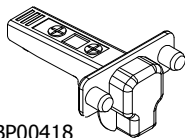
BH3262,000



HS12832,000

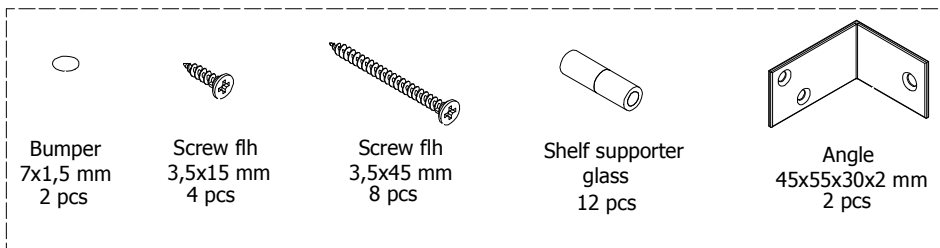


BP00417
Mounting plate
3 pcs



BP00418
Hinge 107 degrees
3 pcs

BP00250-F8910-BP00270



Bumper
7x1,5 mm
2 pcs

Screw flh
3,5x15 mm
4 pcs

Screw flh
3,5x45 mm
8 pcs

Shelf supporter
glass
12 pcs

Angle
45x55x30x2 mm
2 pcs

FIG.
1

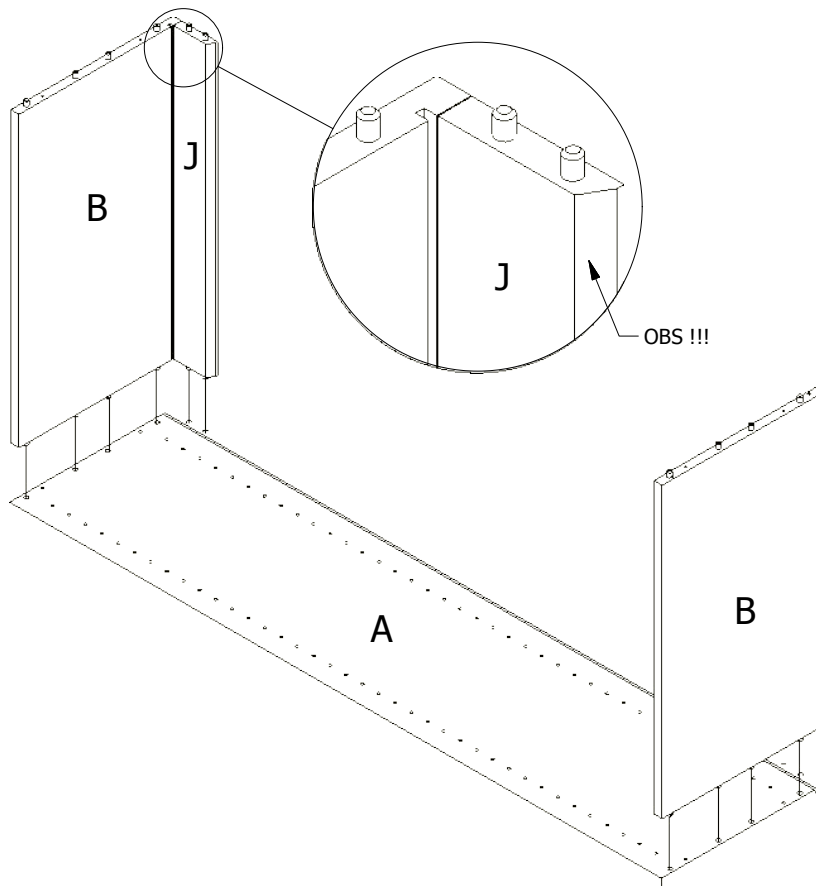


FIG.
2

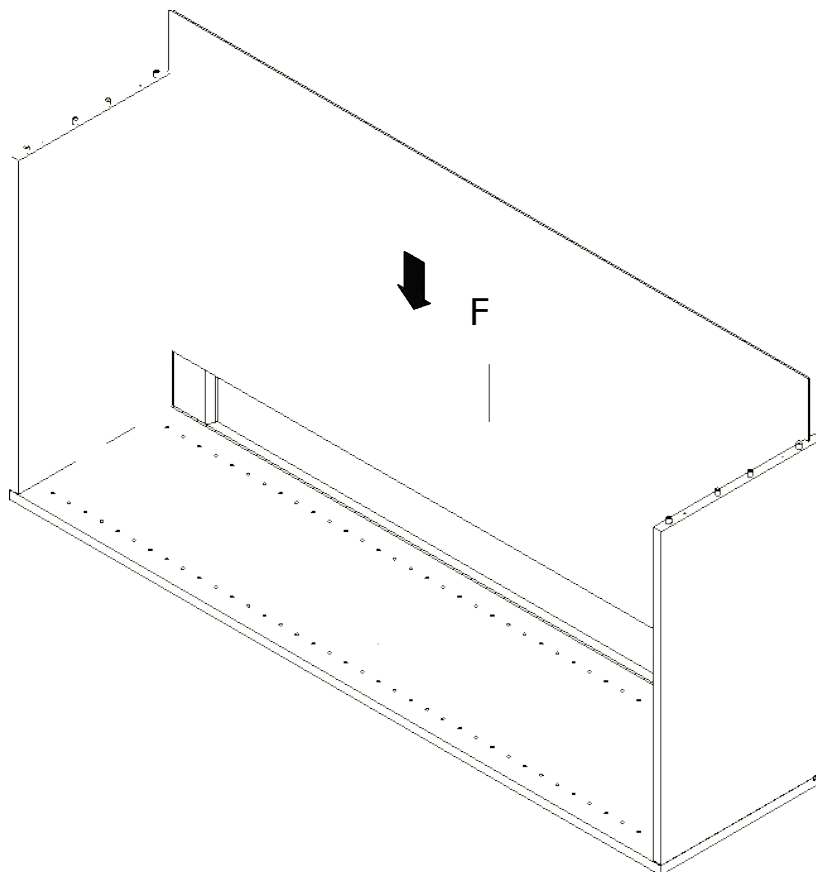


FIG. 3

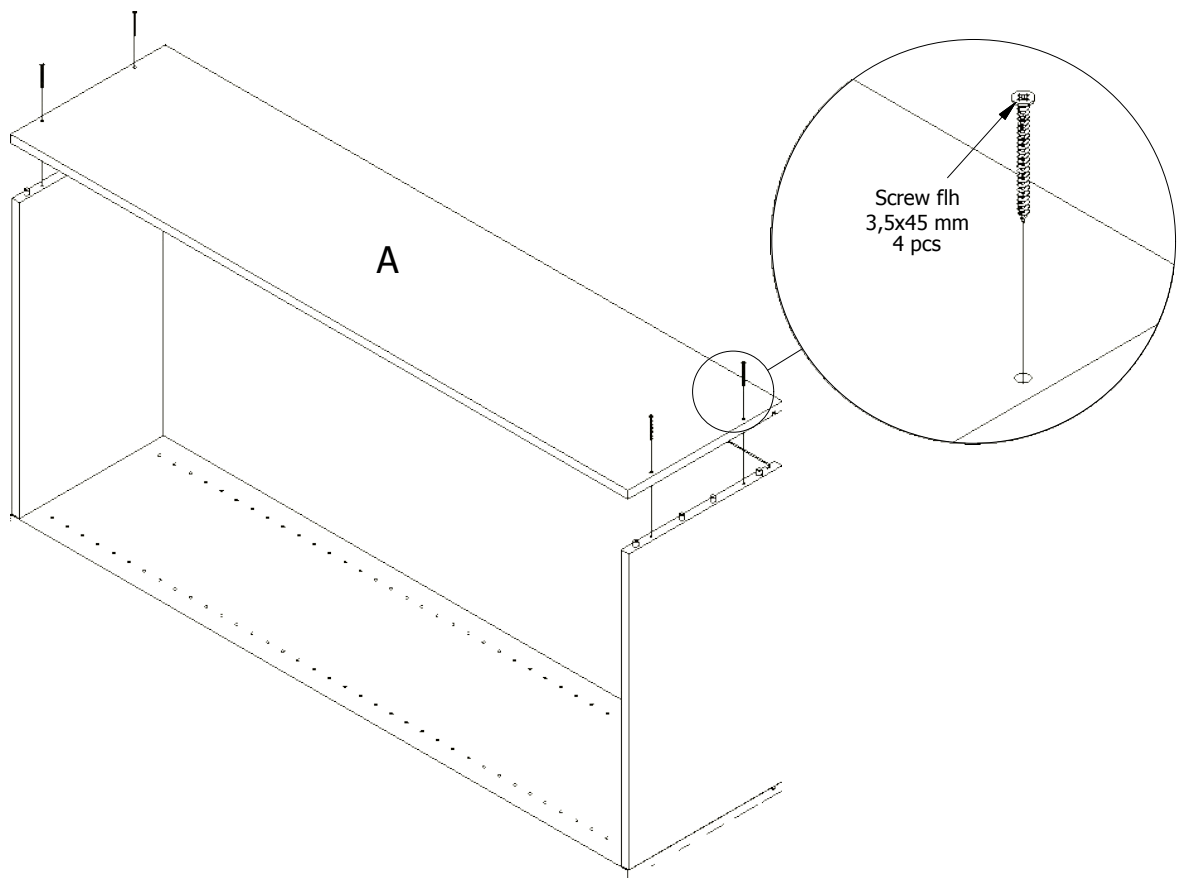


FIG. 4

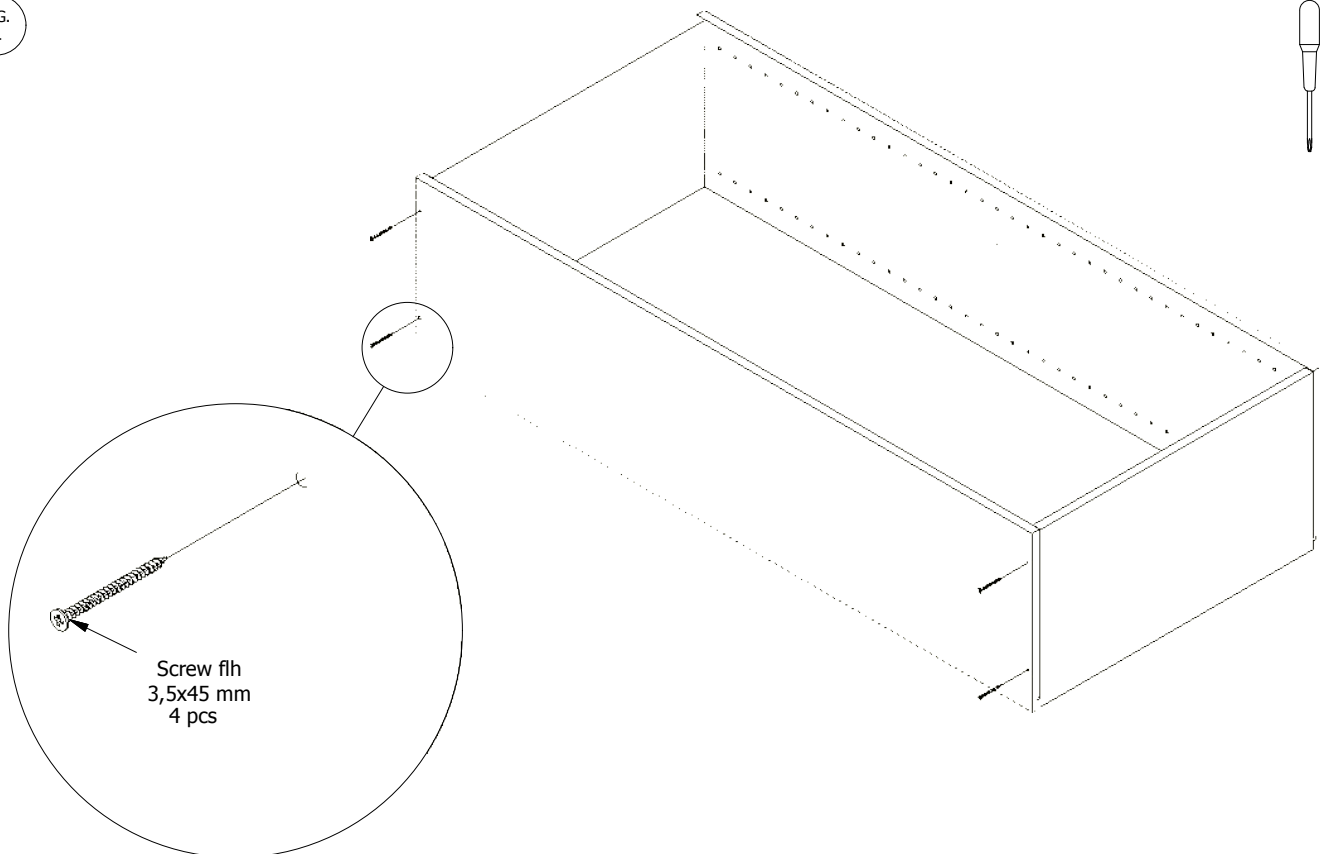


FIG. 5

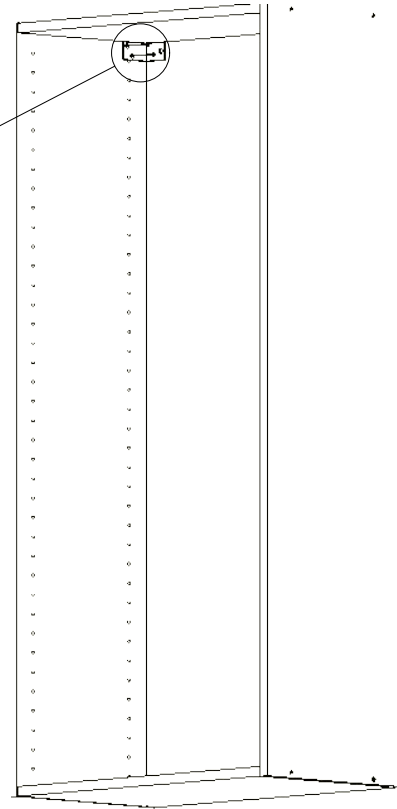
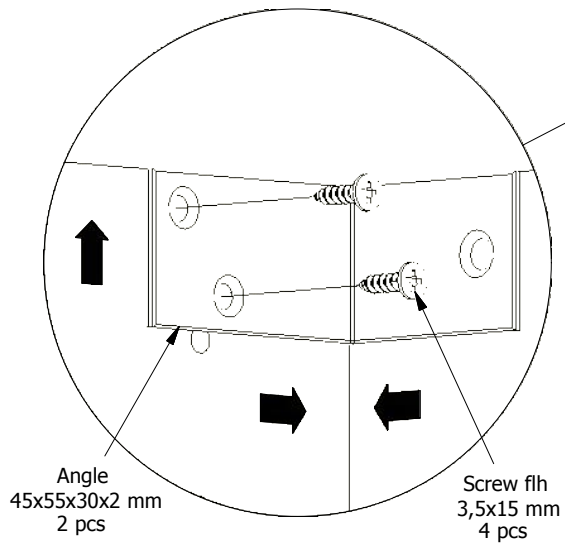


FIG. 6

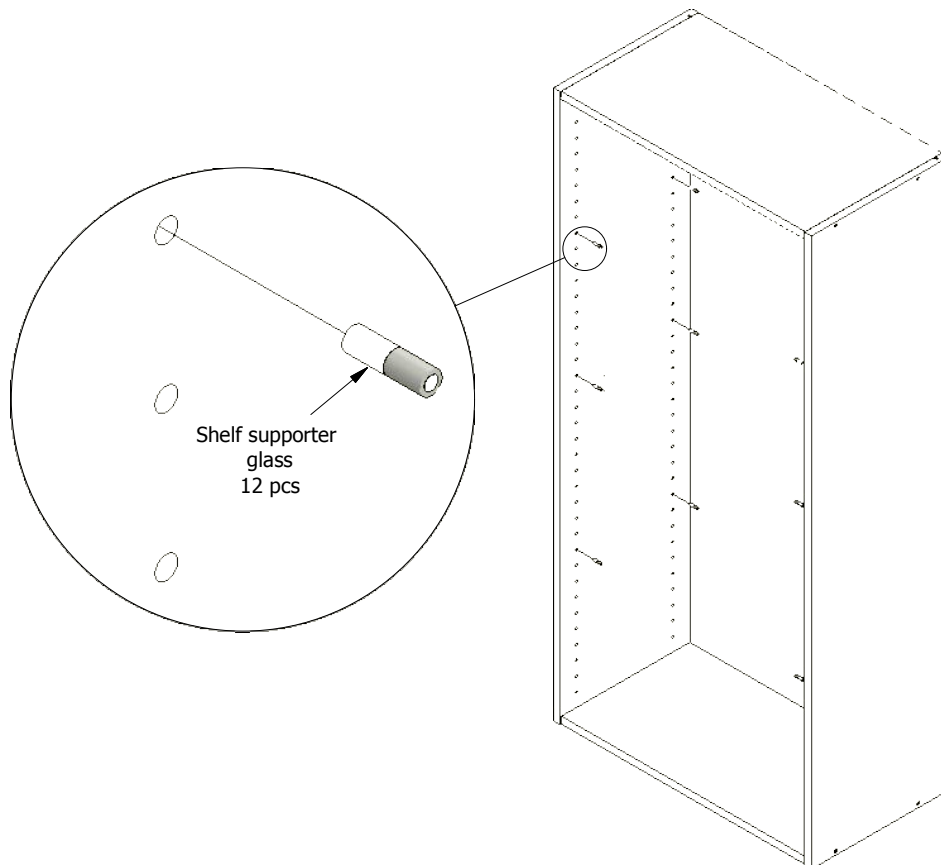


FIG. 7

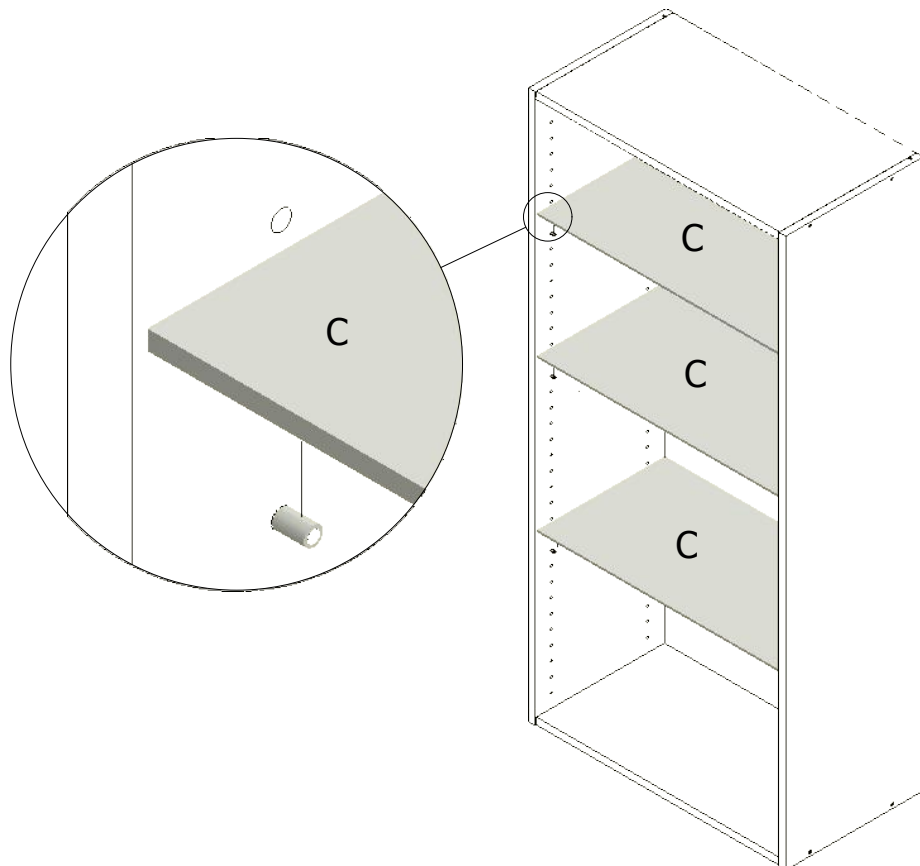


FIG. 8

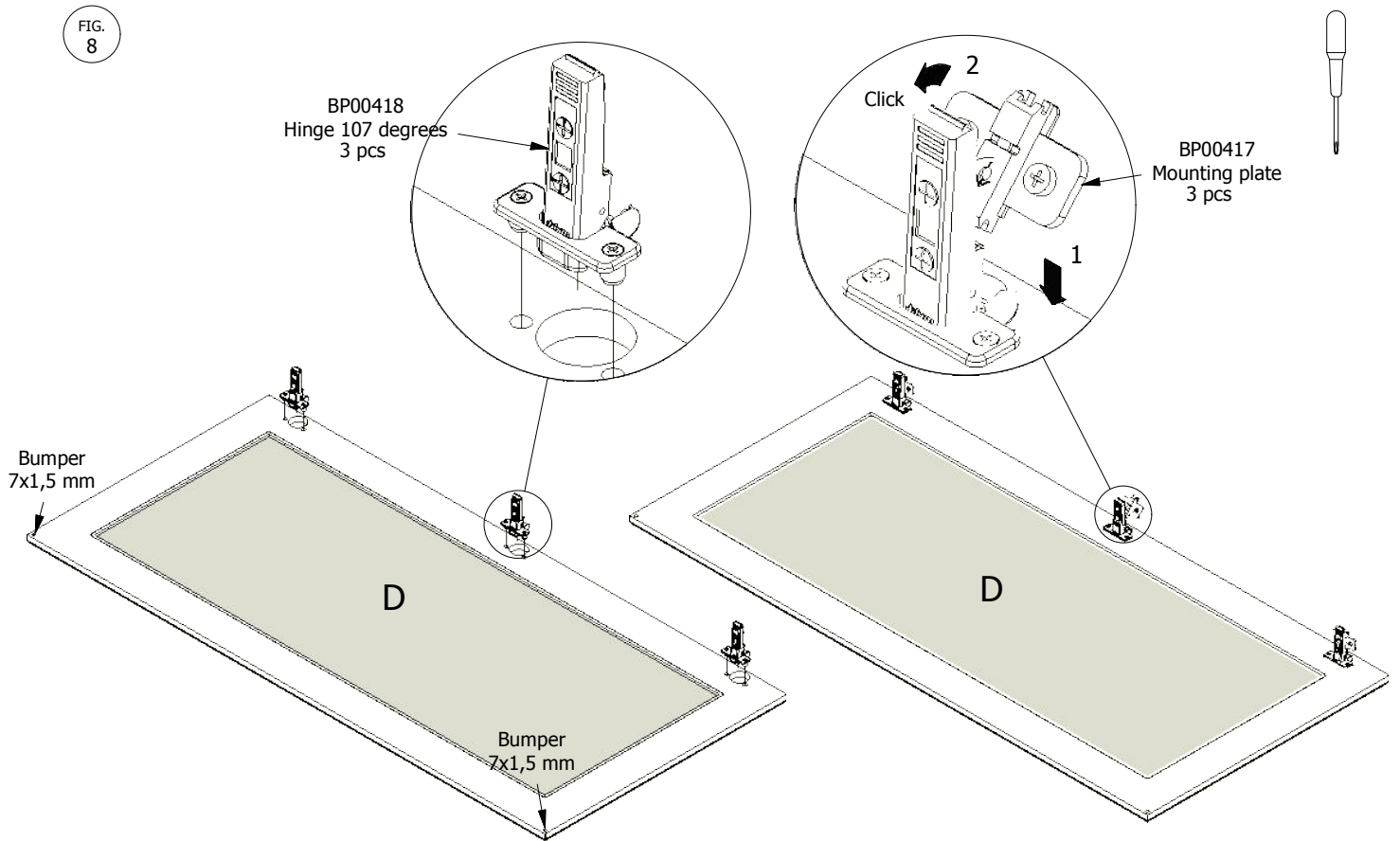


FIG. 9

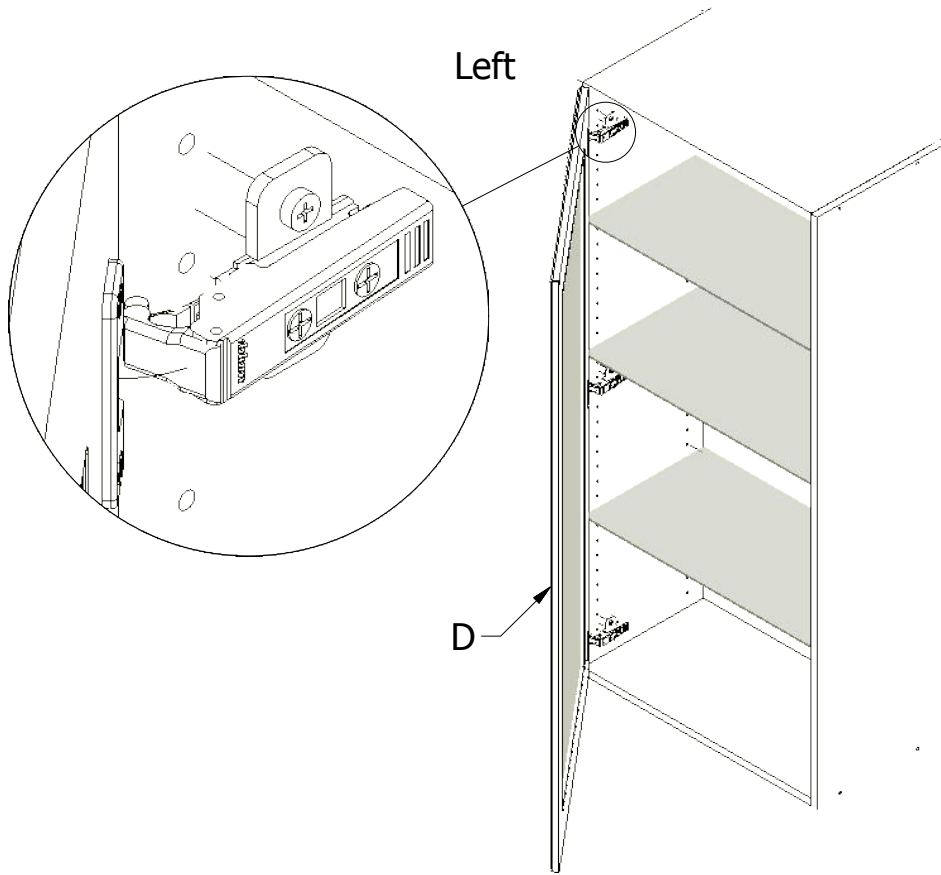
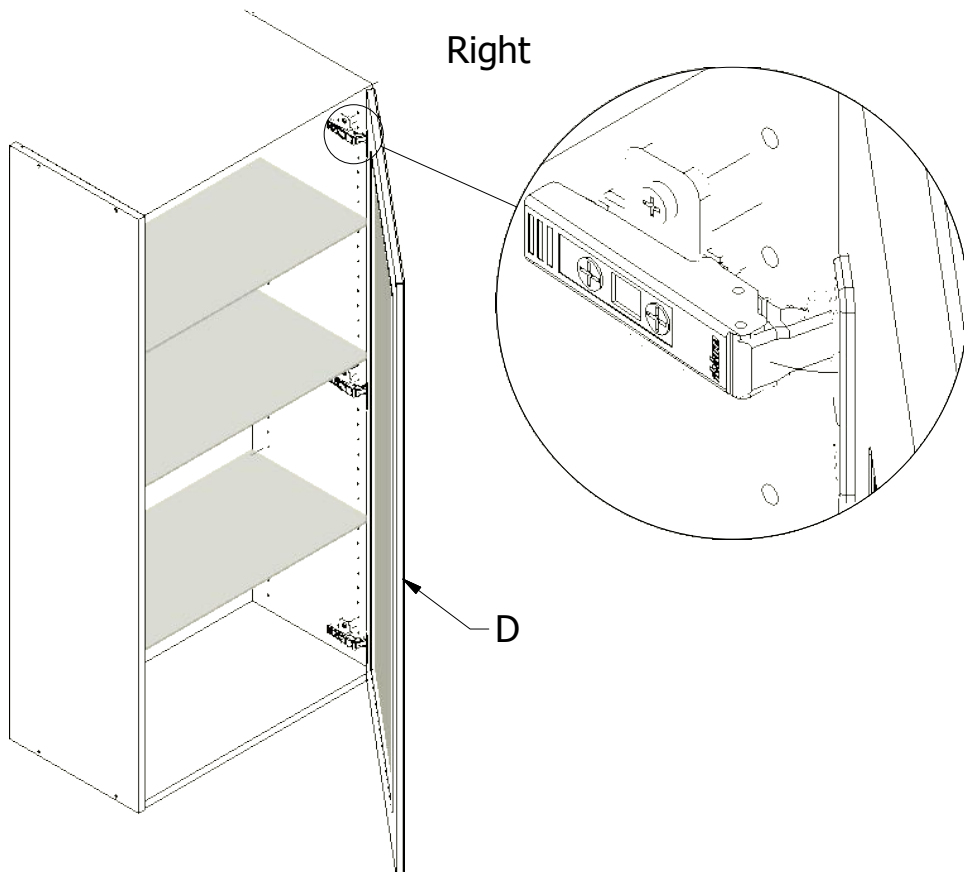


FIG. 10



Adjustment

