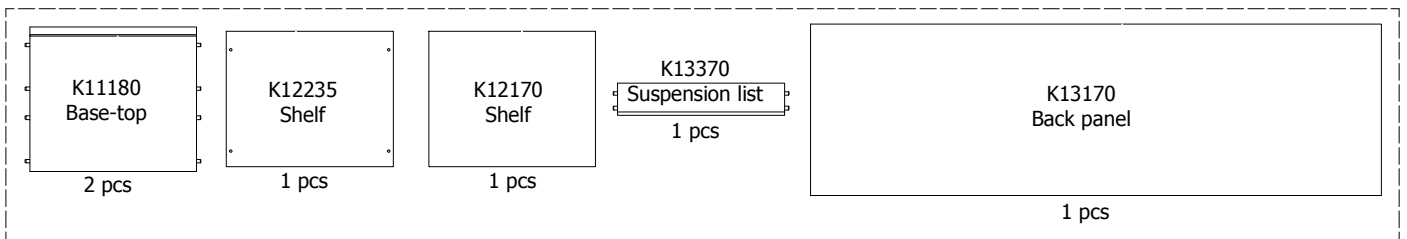


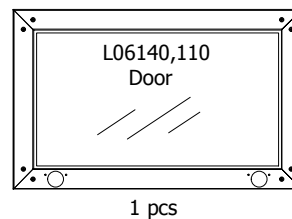
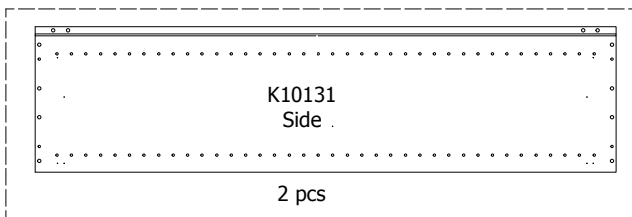
**kvik** 

**DSH2834,040**

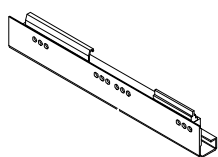
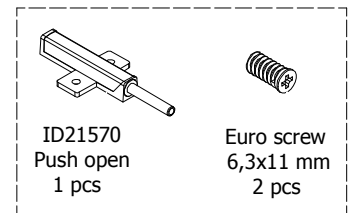
**BH3240,000**



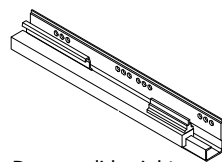
**HS12832,000**



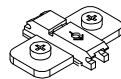
**ID21570**



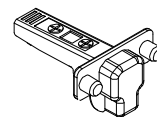
Drawer slide left  
300mm  
2 pcs



Drawer slide right  
300mm  
2 pcs



BP00417  
Mounting plate  
2 pcs



BP00418  
Hinge 107 degrees  
2 pcs

**BP00270-BP00250**

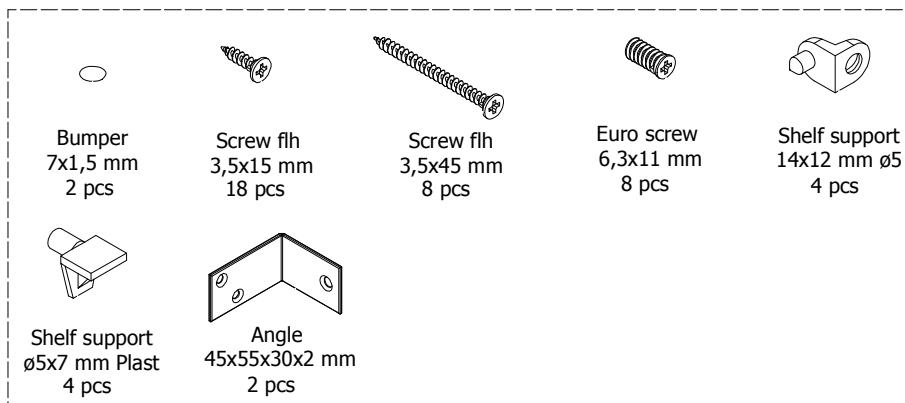


FIG. 1

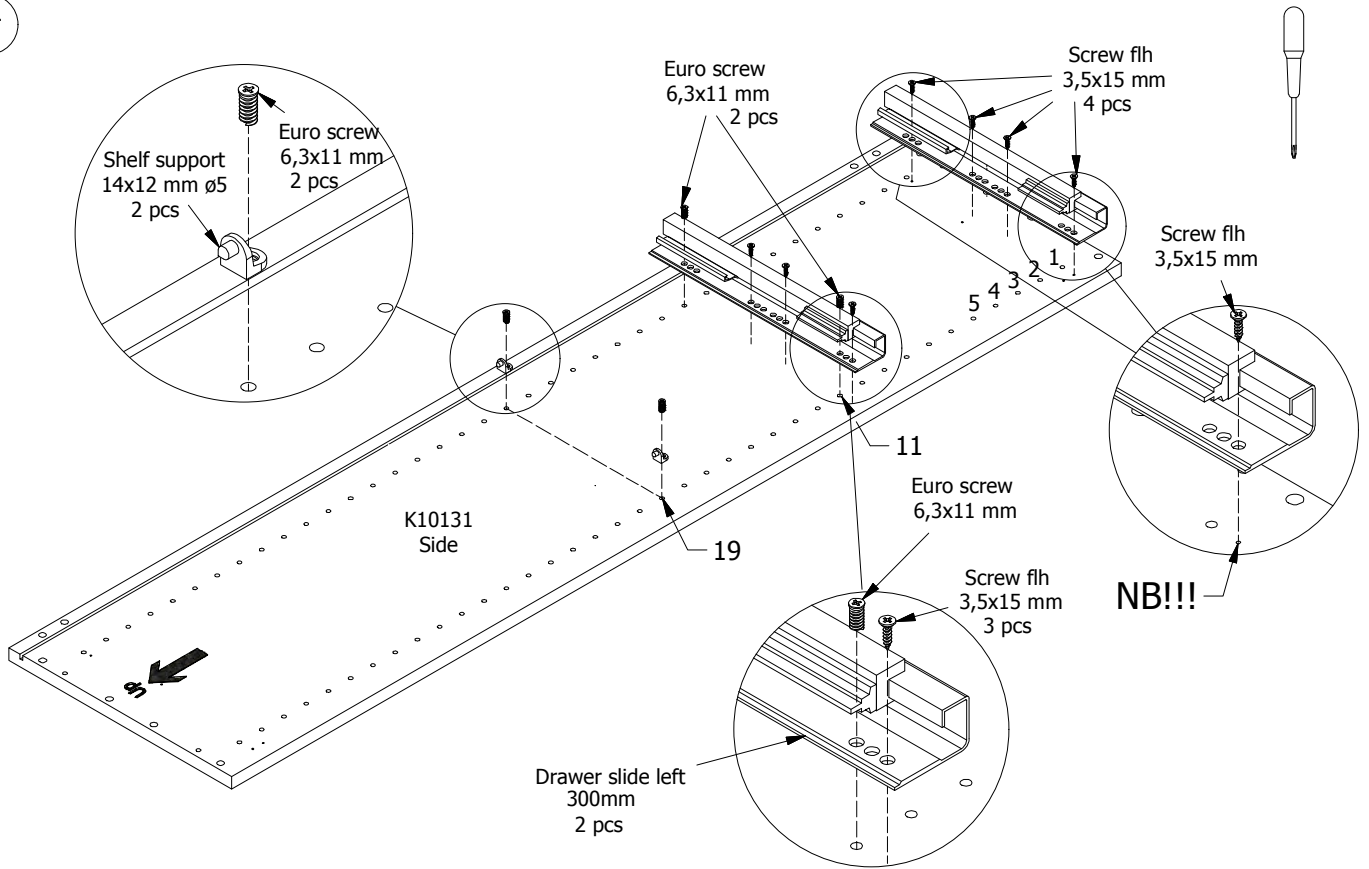


FIG. 2

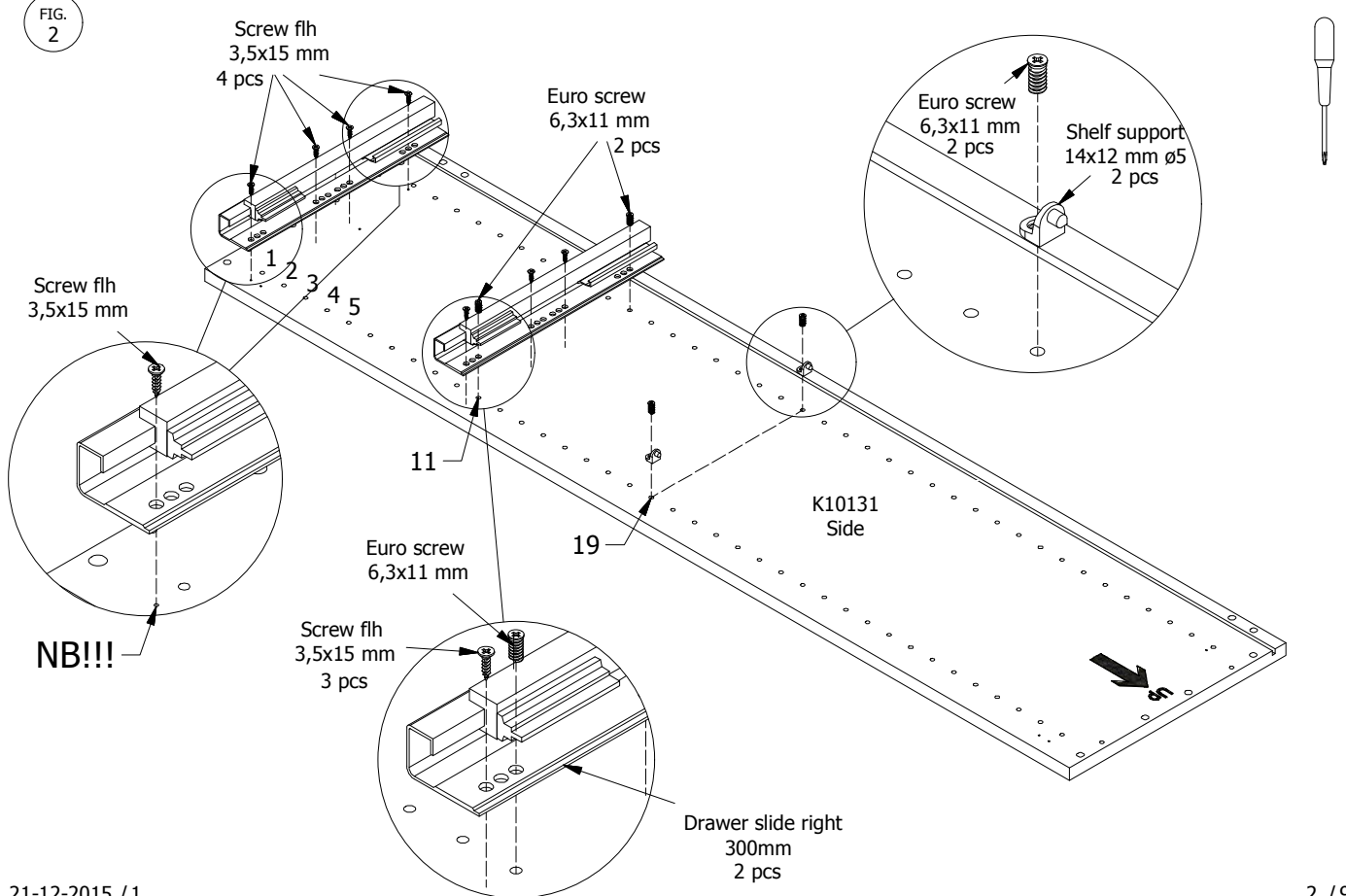


FIG. 3

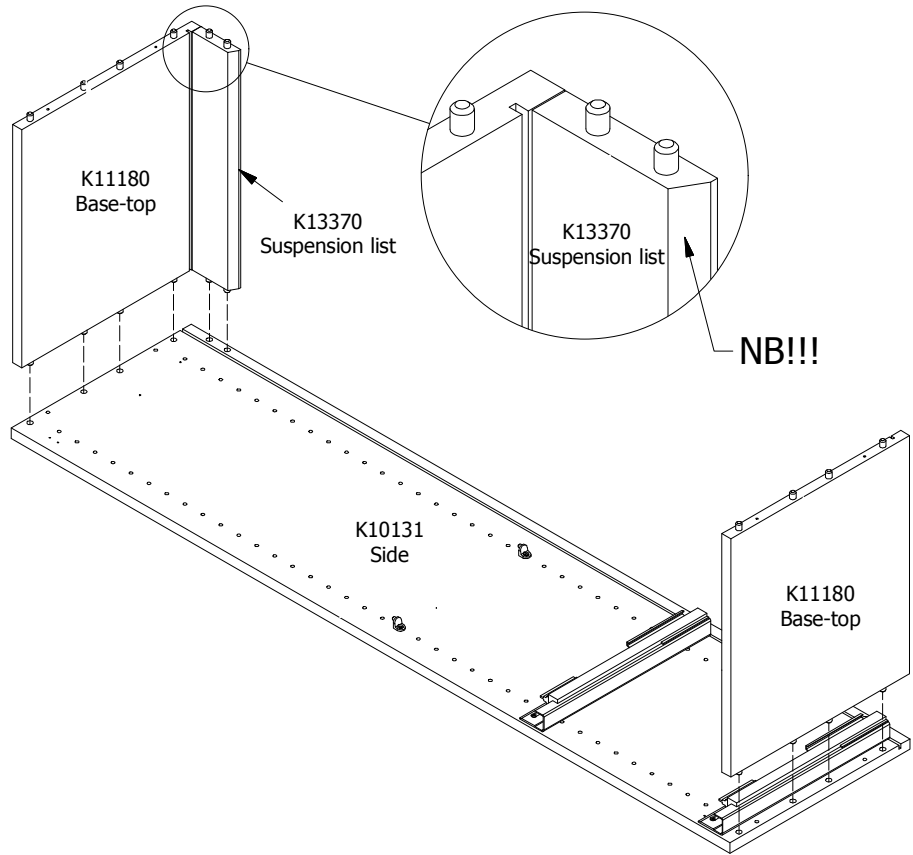


FIG. 4

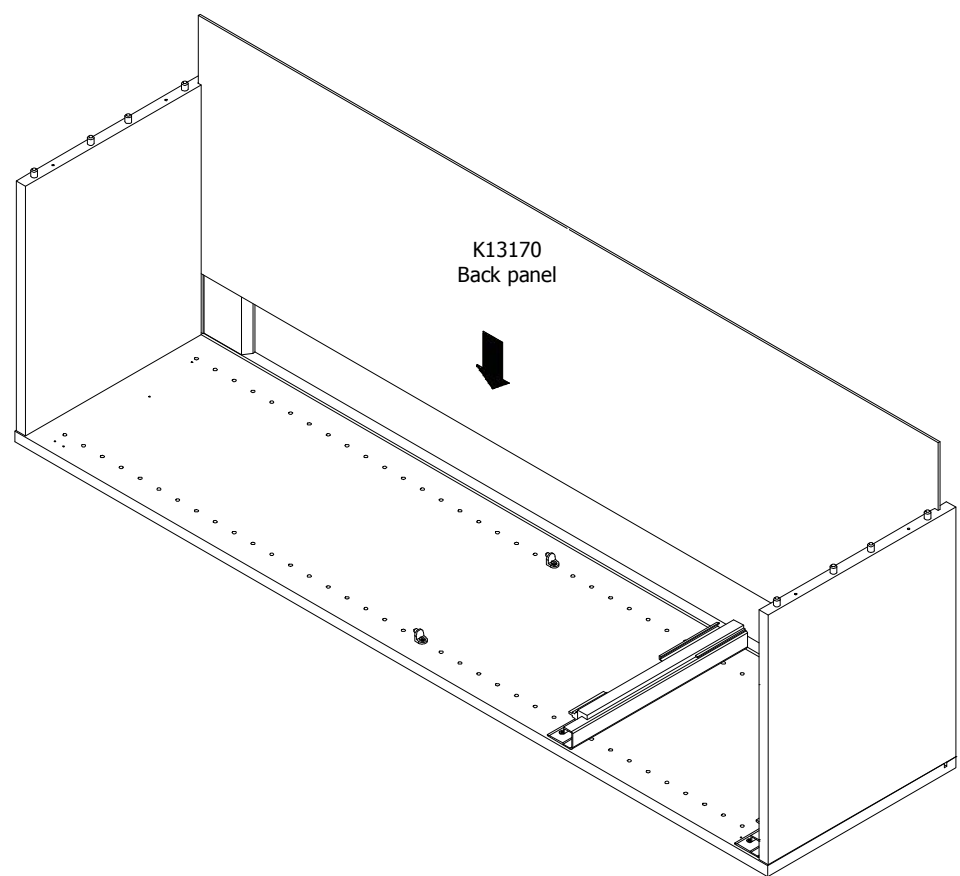


FIG. 5

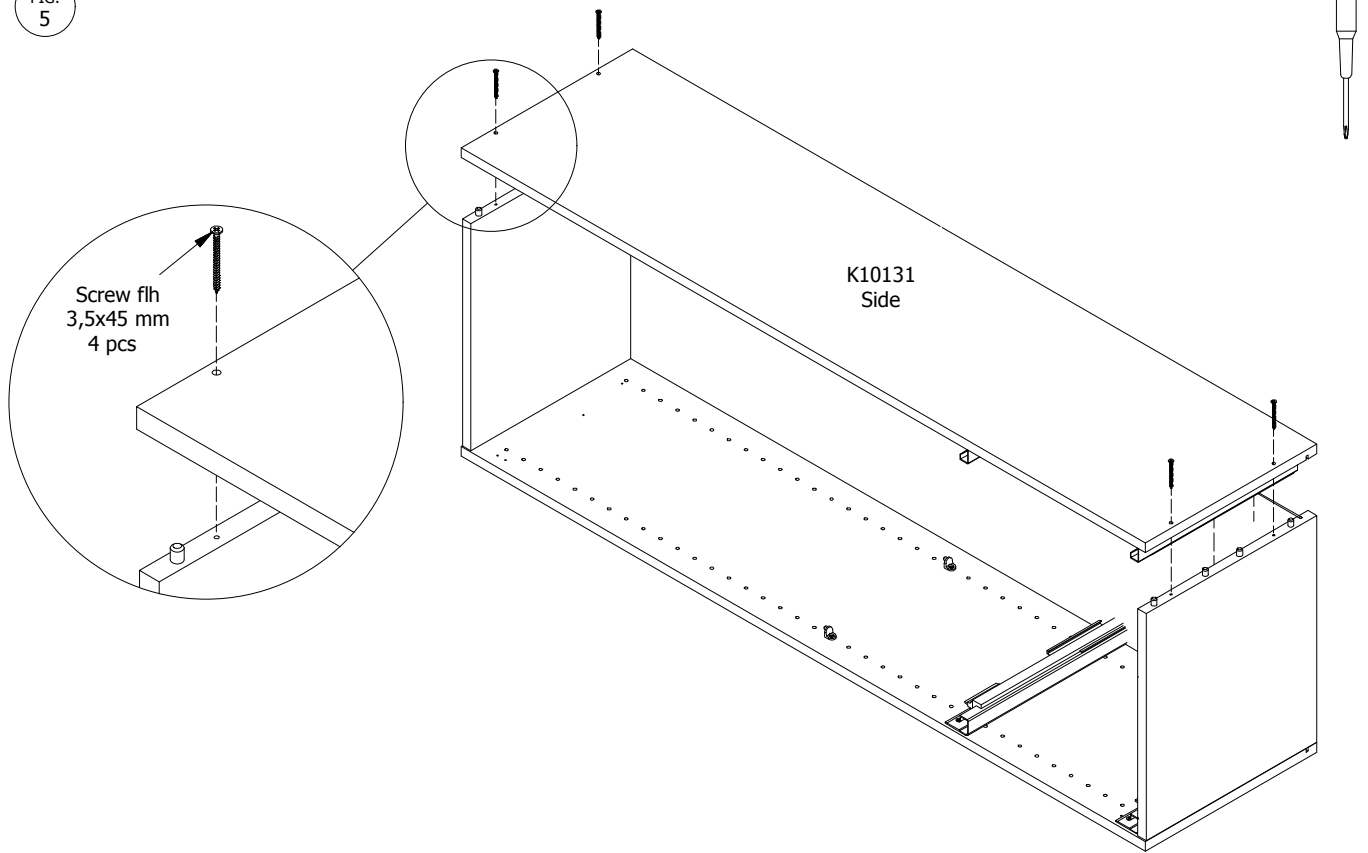


FIG. 6

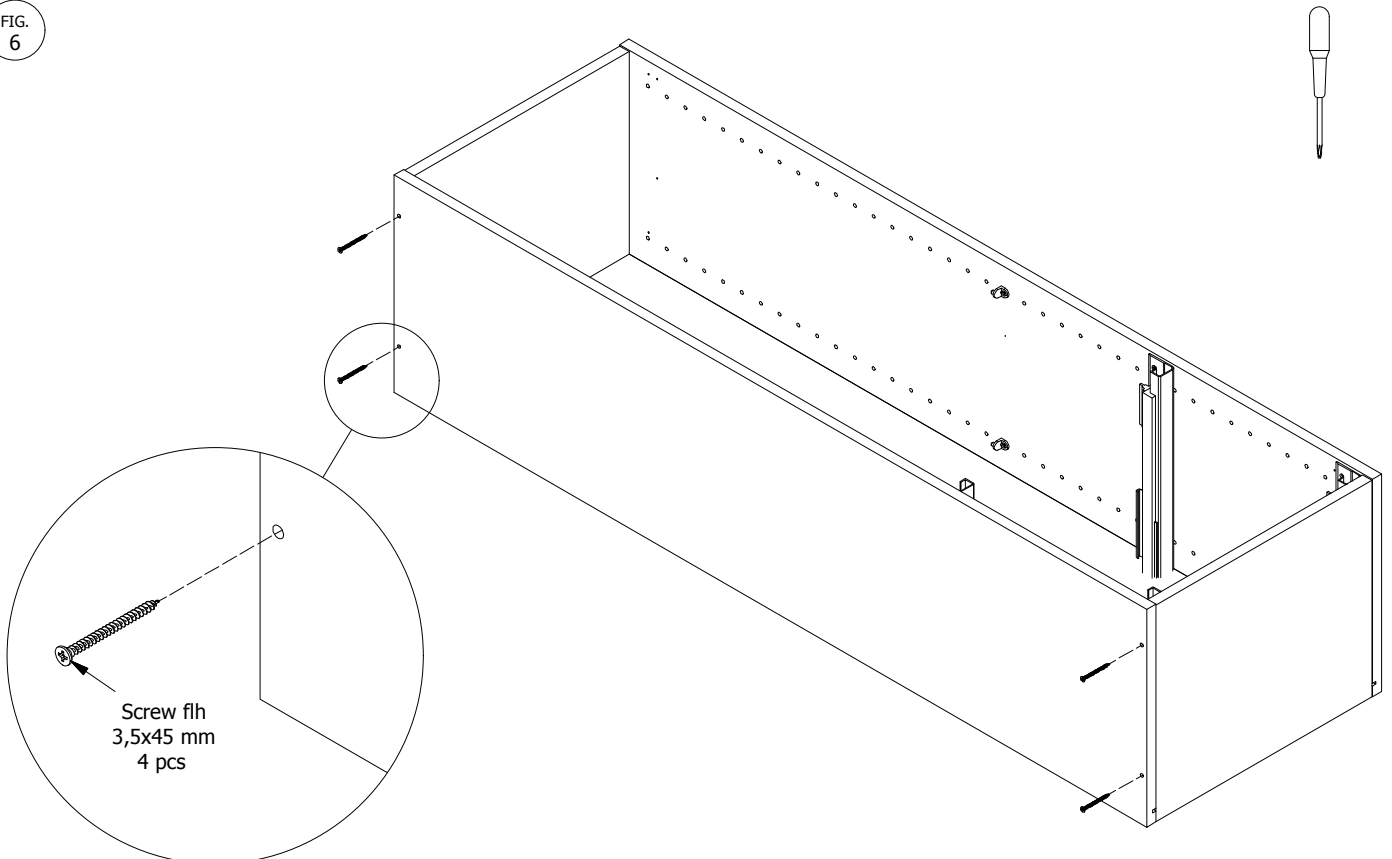


FIG. 7

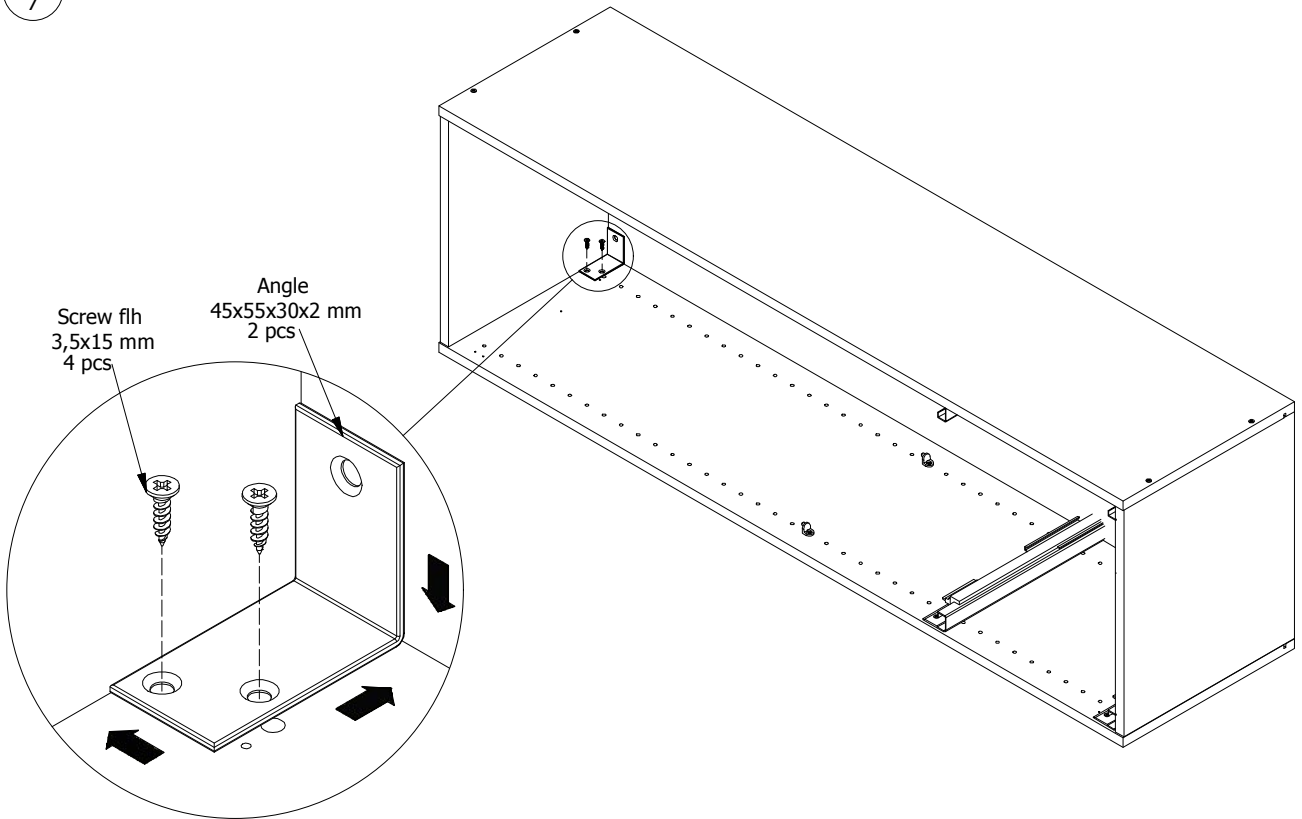


FIG. 8

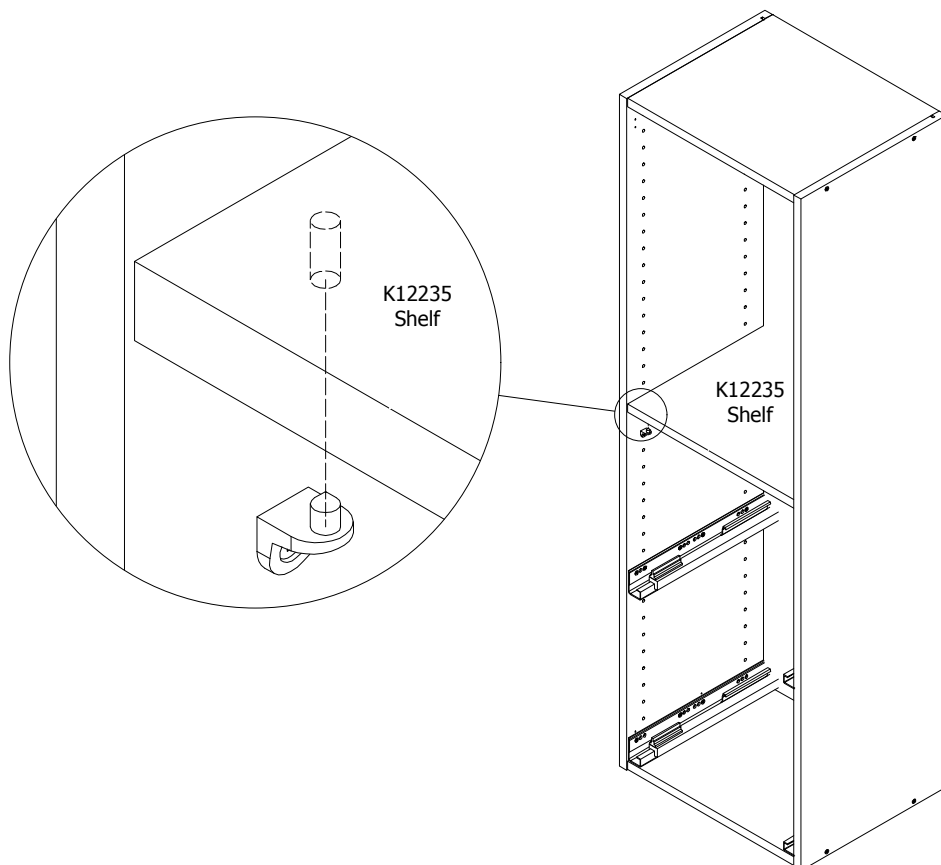


FIG. 9

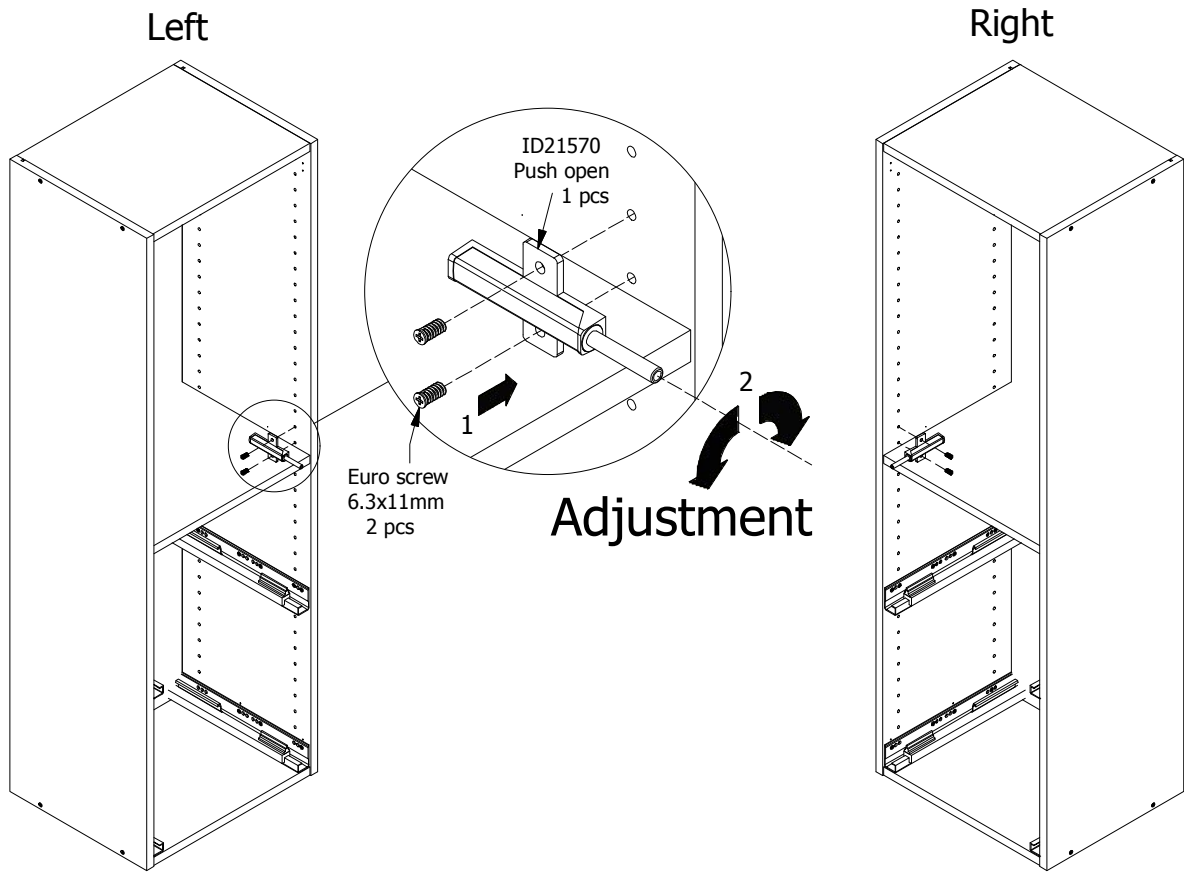


FIG. 10

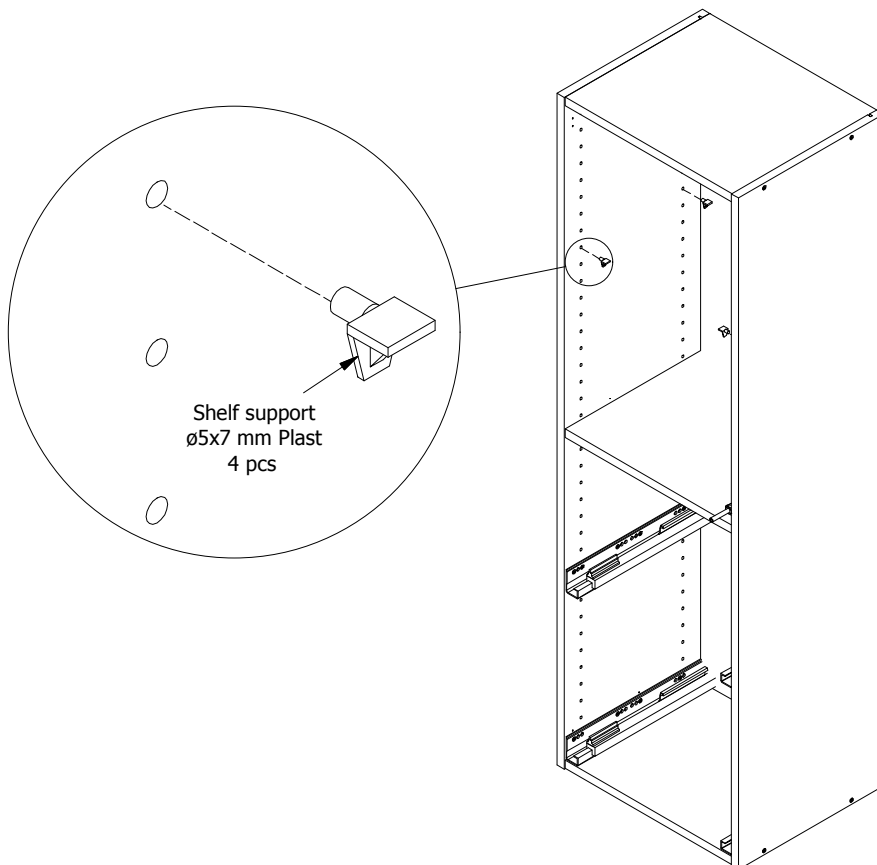


FIG. 11

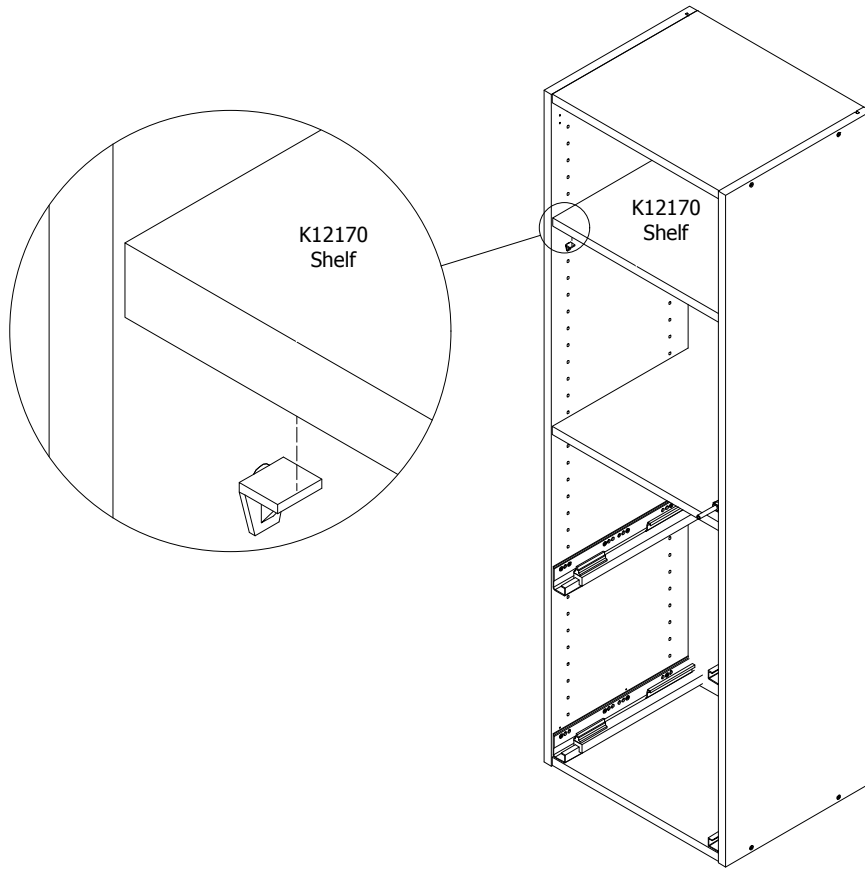


FIG. 12

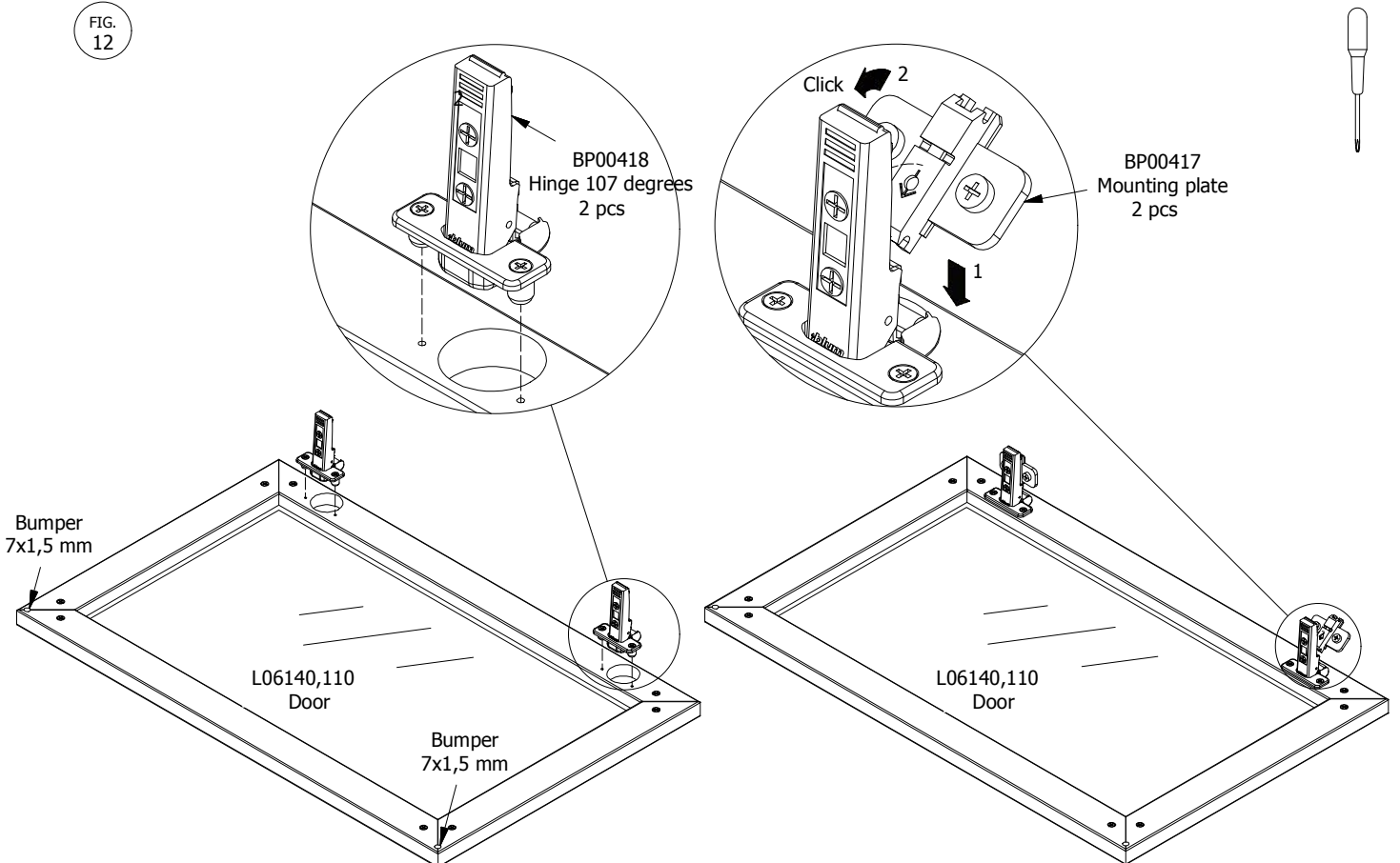
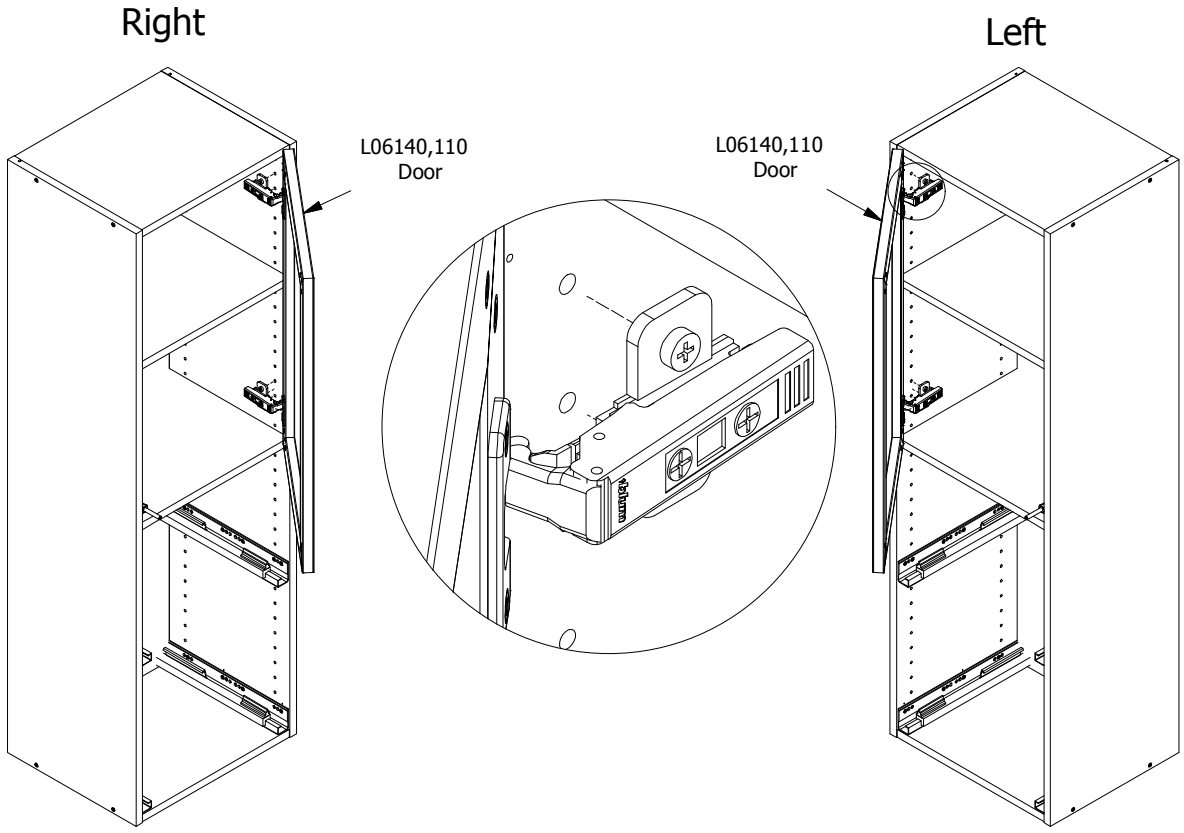


FIG. 13



### Adjustment

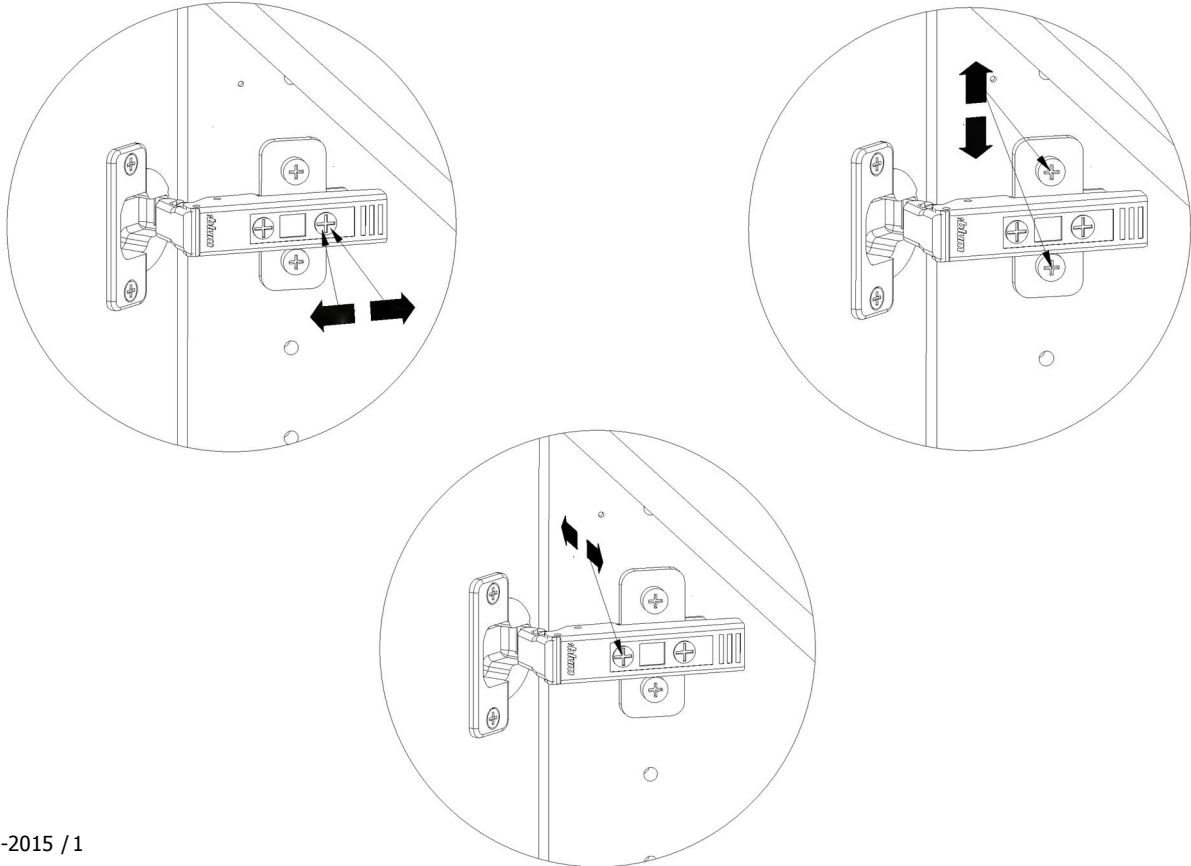




Fig  
14

