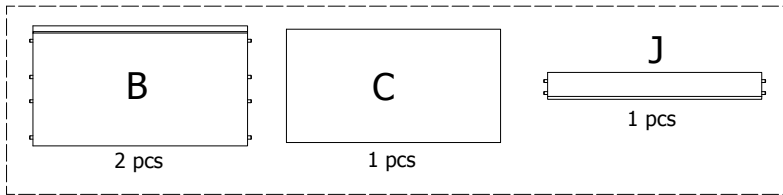


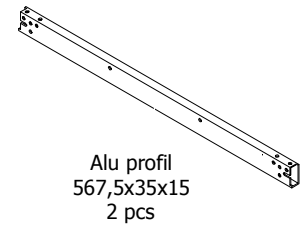
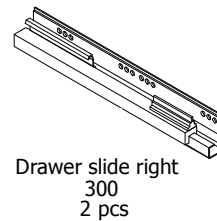
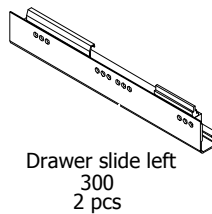
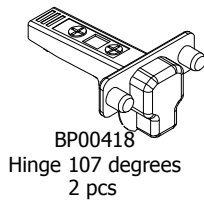
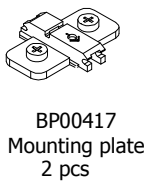
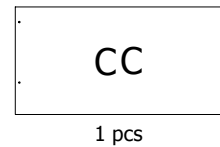
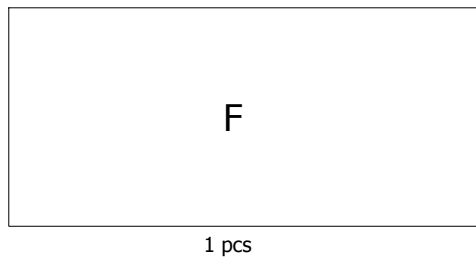
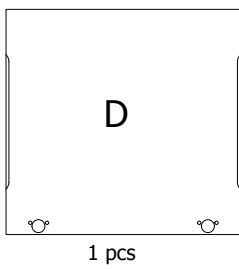
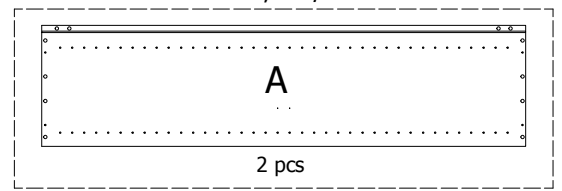
kvik 

MDSH2820,060-040

BH3262,000/176



HS12832,000/KVIK



BP00270-BP00250-BP00028-BP01904-BP00491

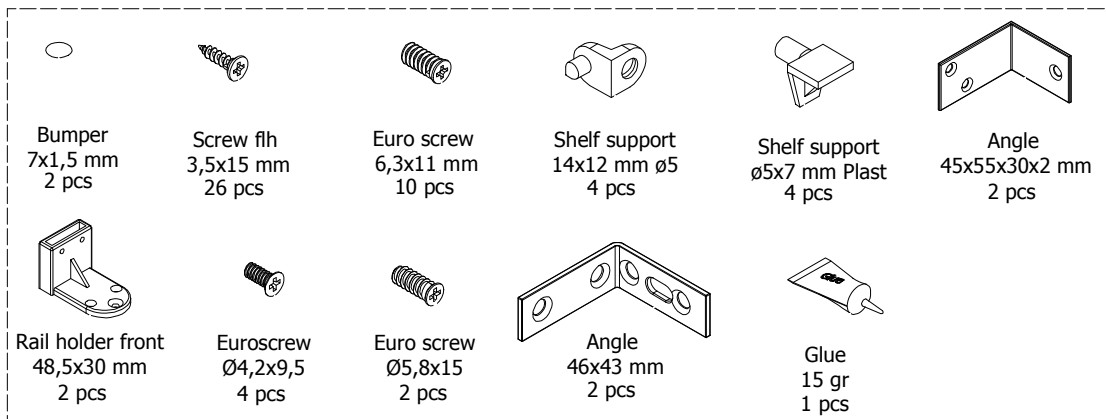


FIG. 1

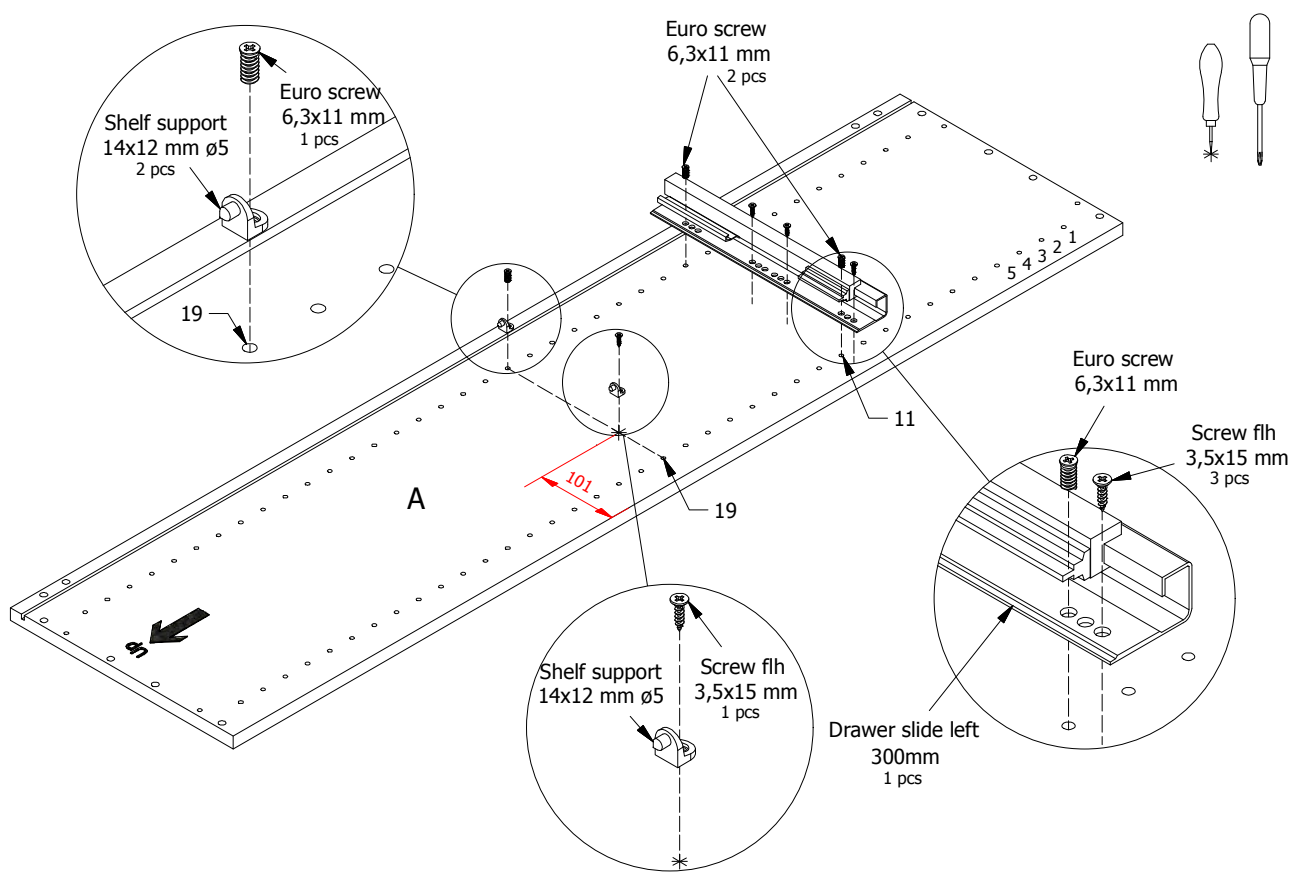


FIG. 2

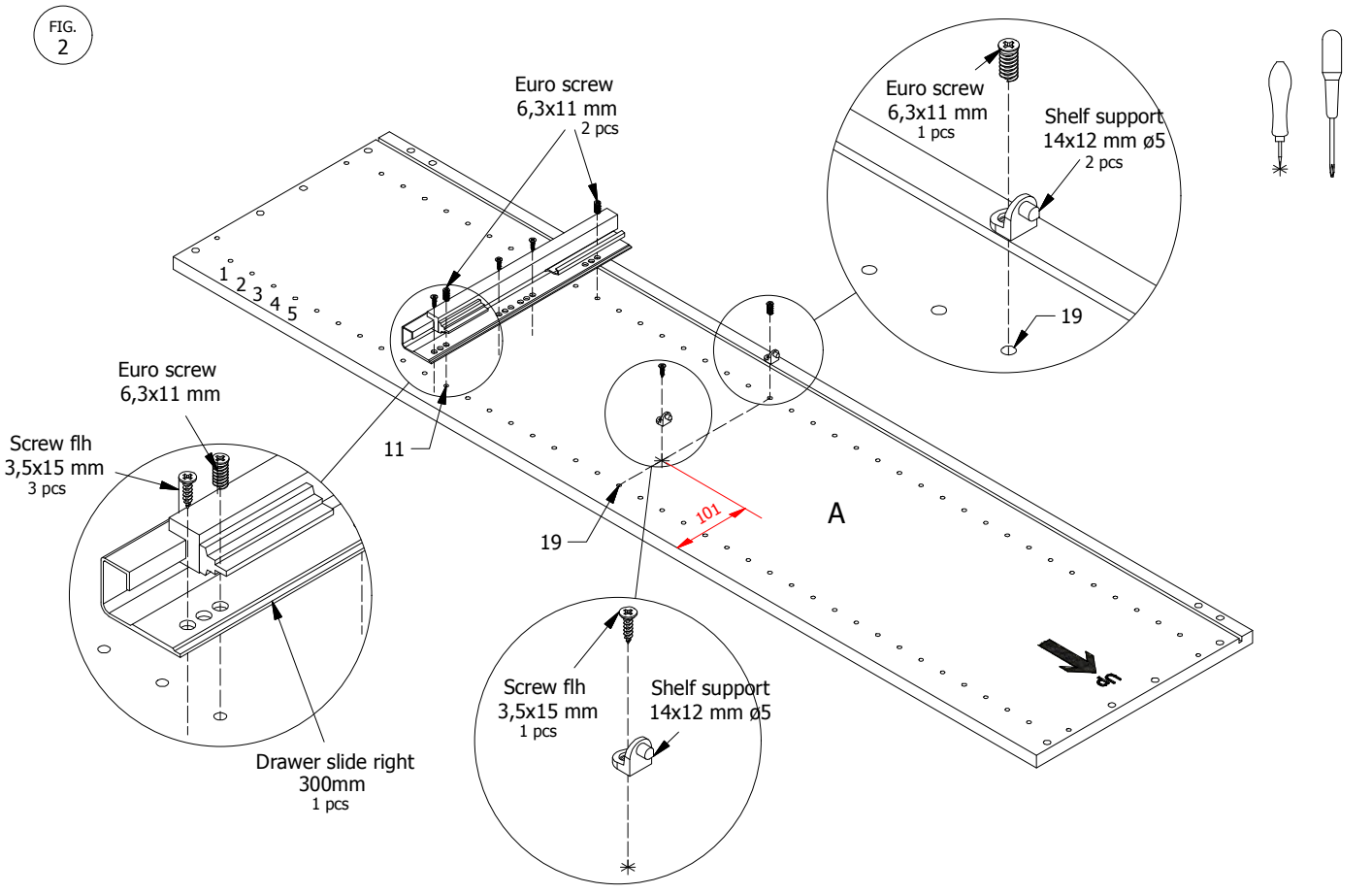


FIG. 3

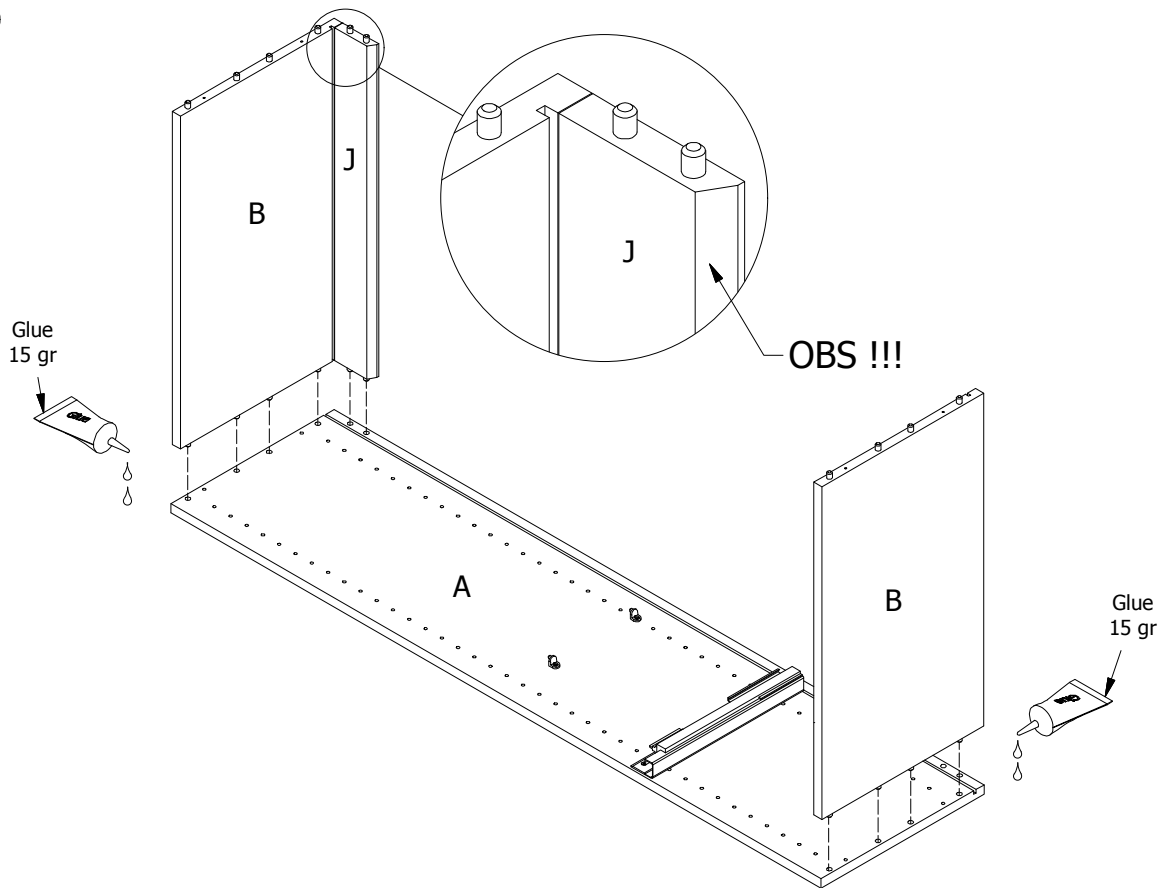


FIG. 4

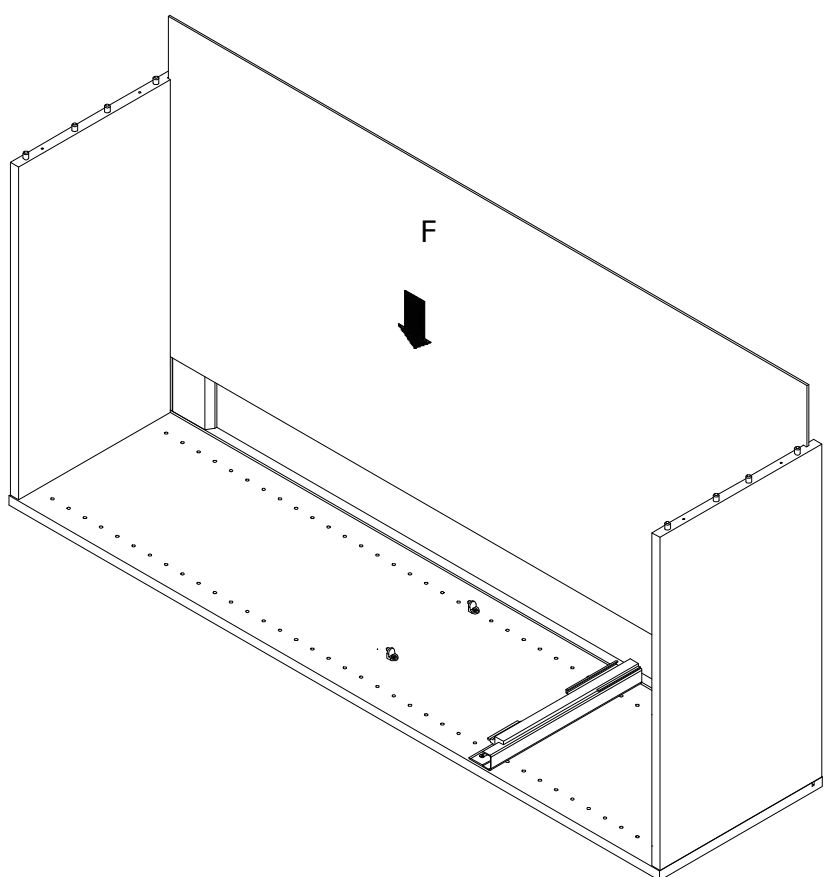


FIG. 5

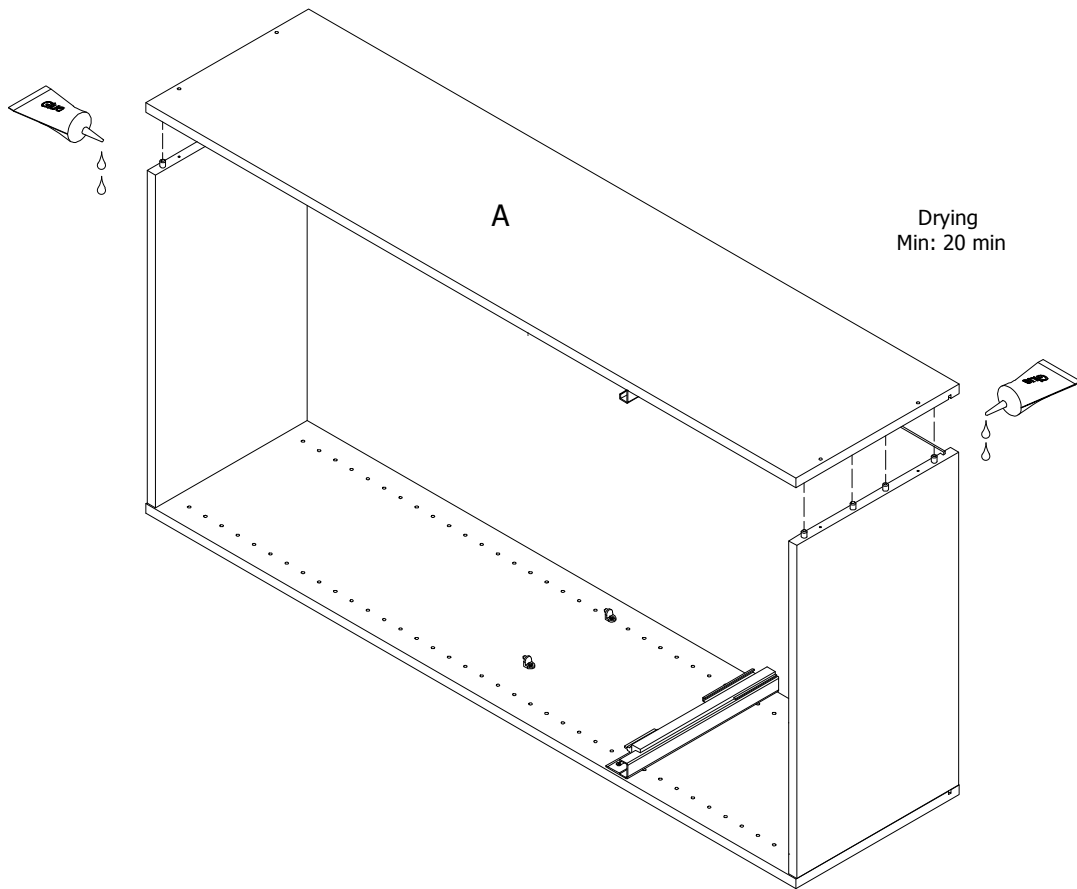


FIG. 6

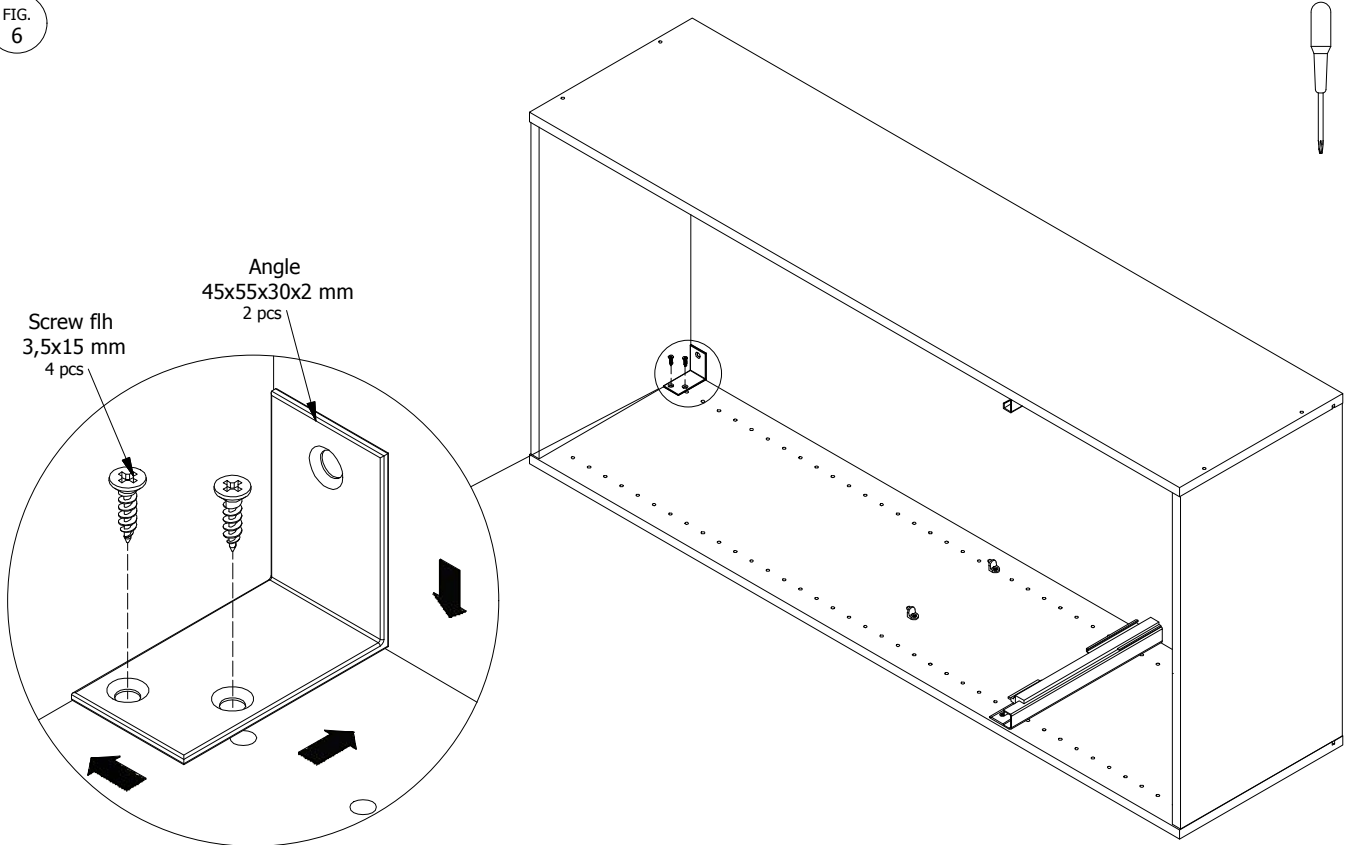


FIG. 7

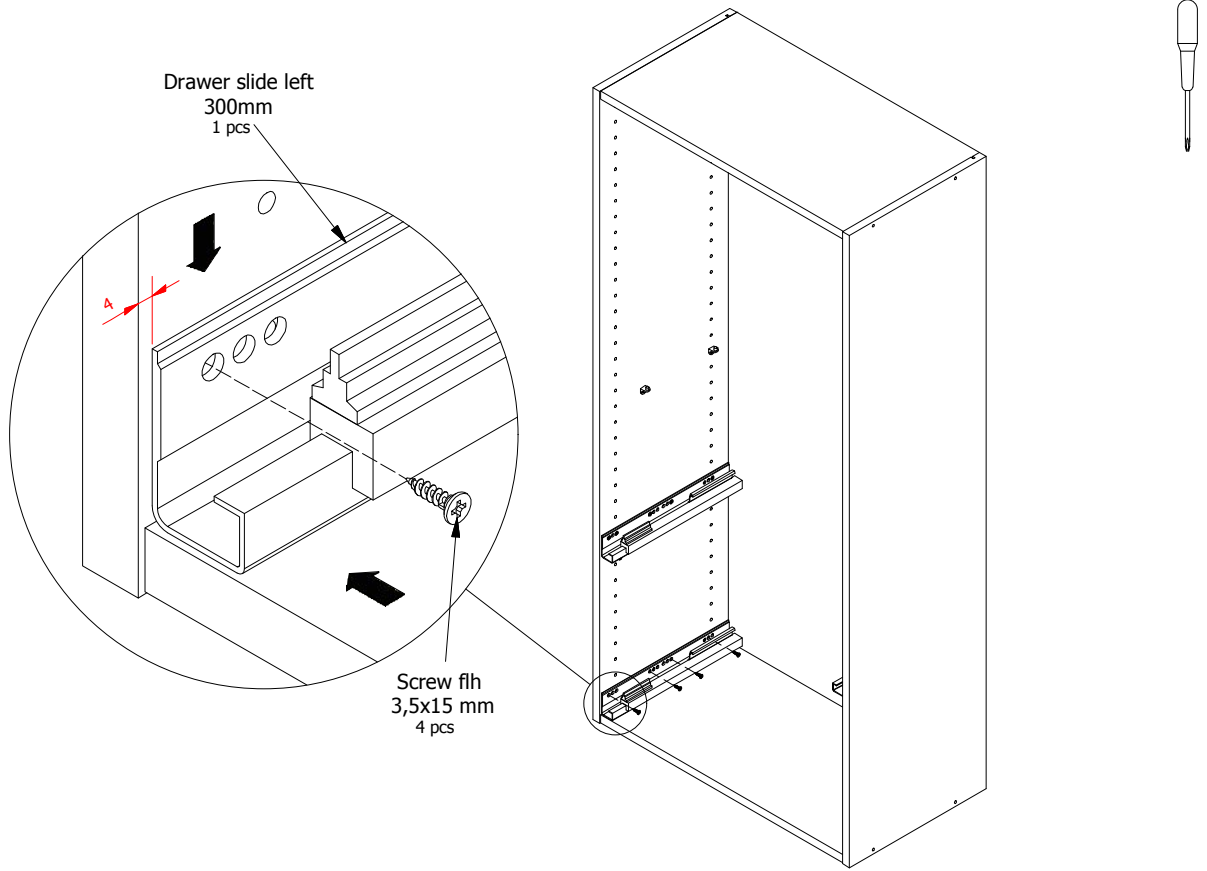


FIG. 8

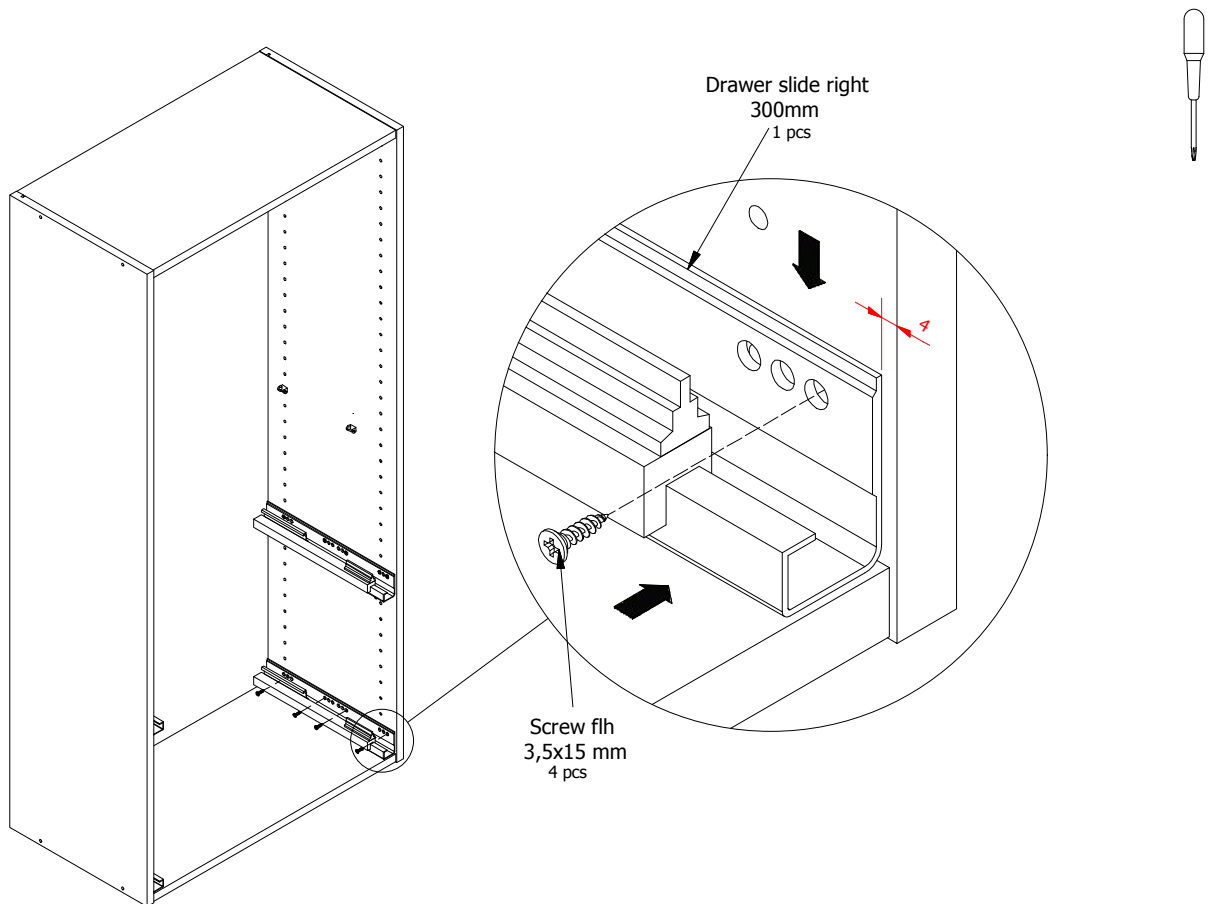


FIG. 9

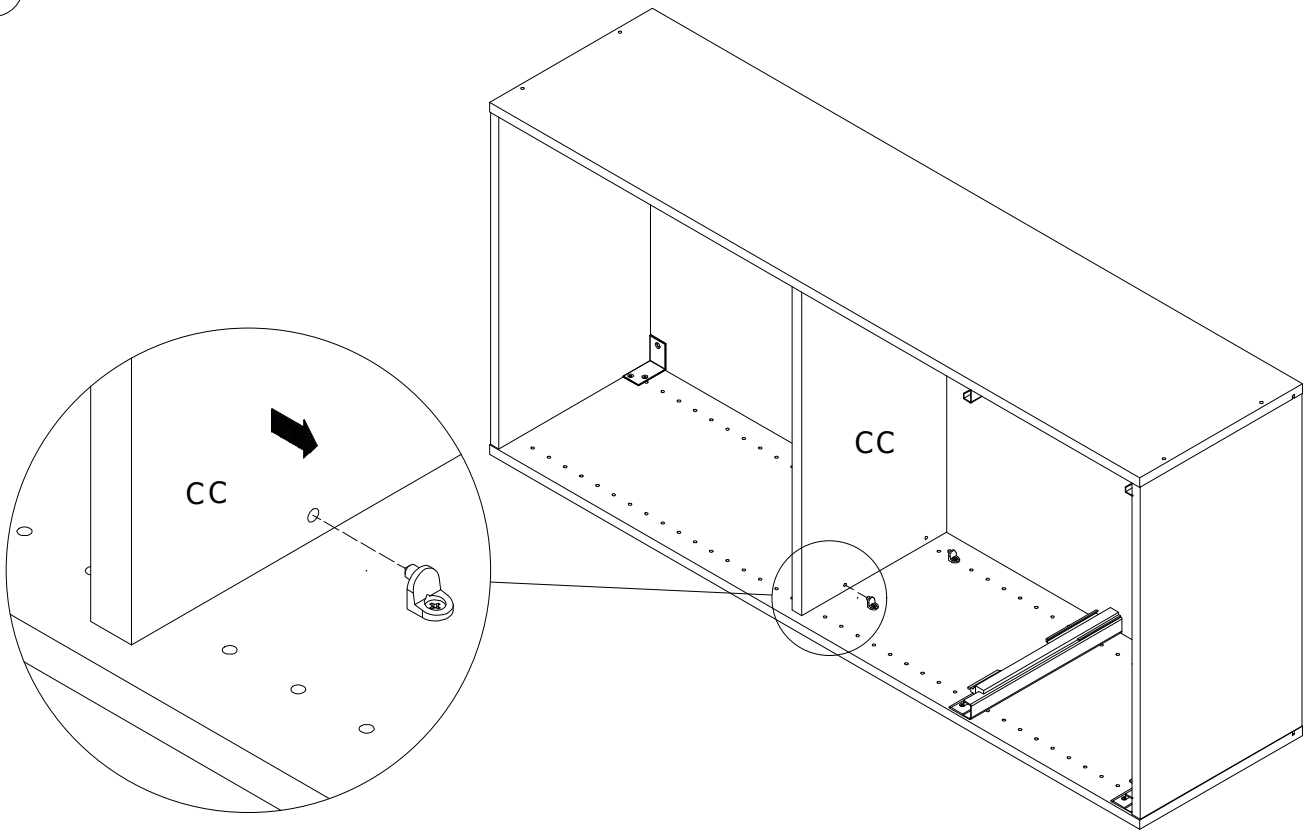


FIG. 10

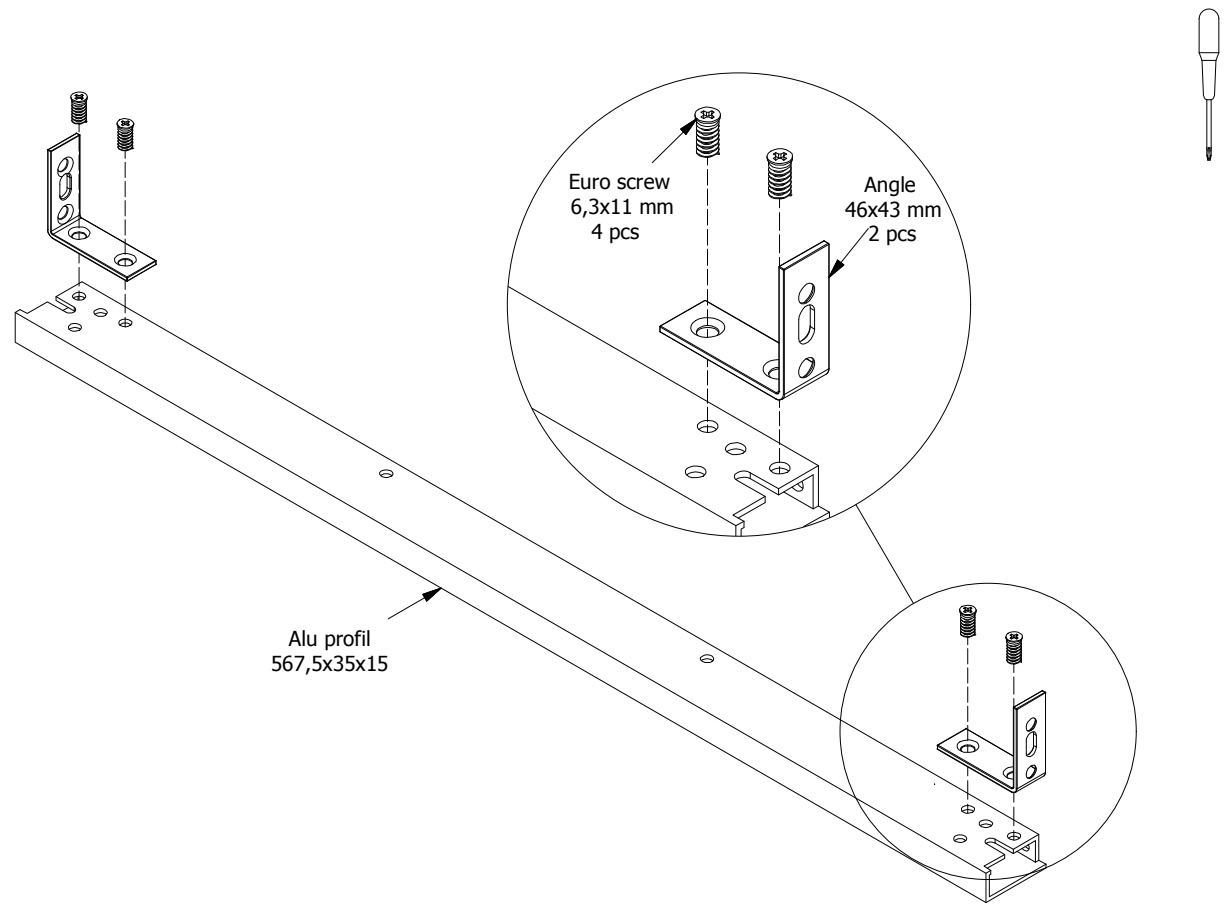


FIG. 11

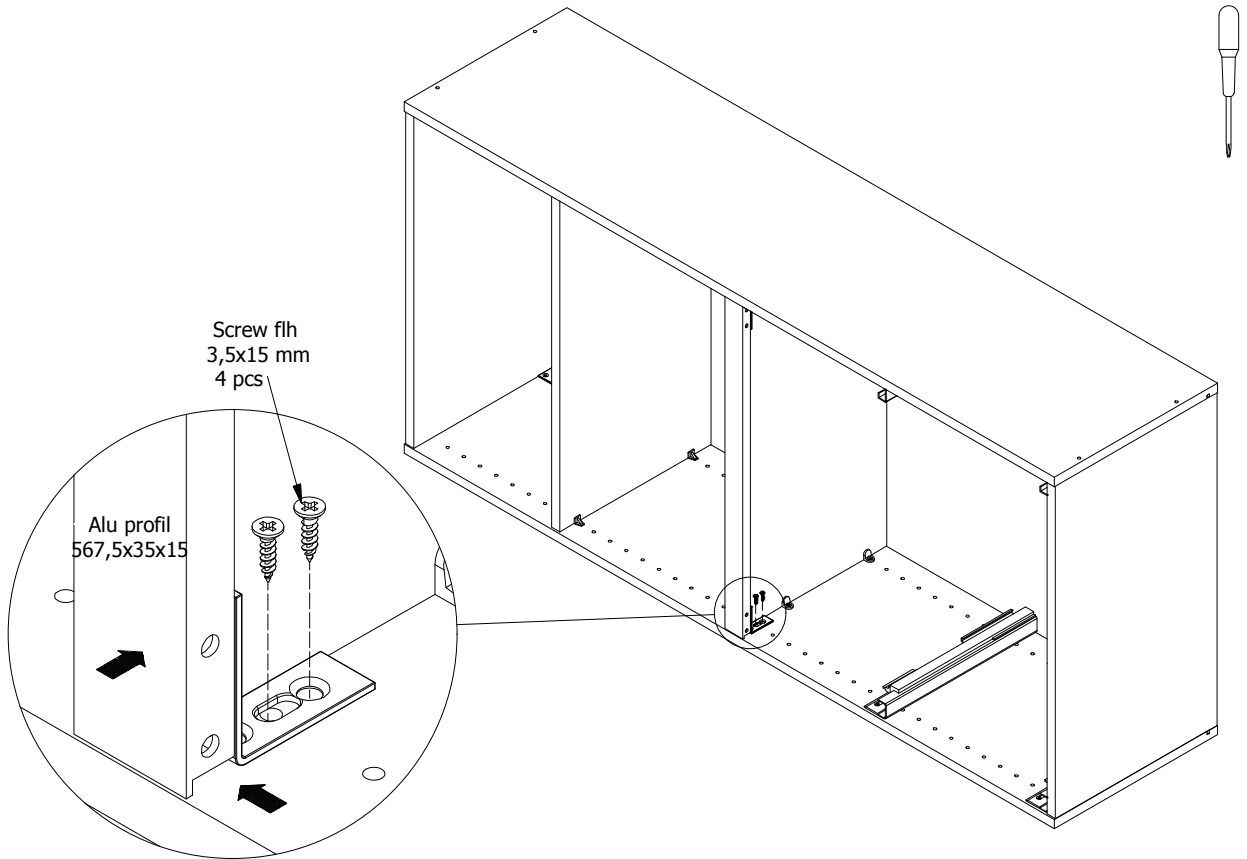


FIG. 12

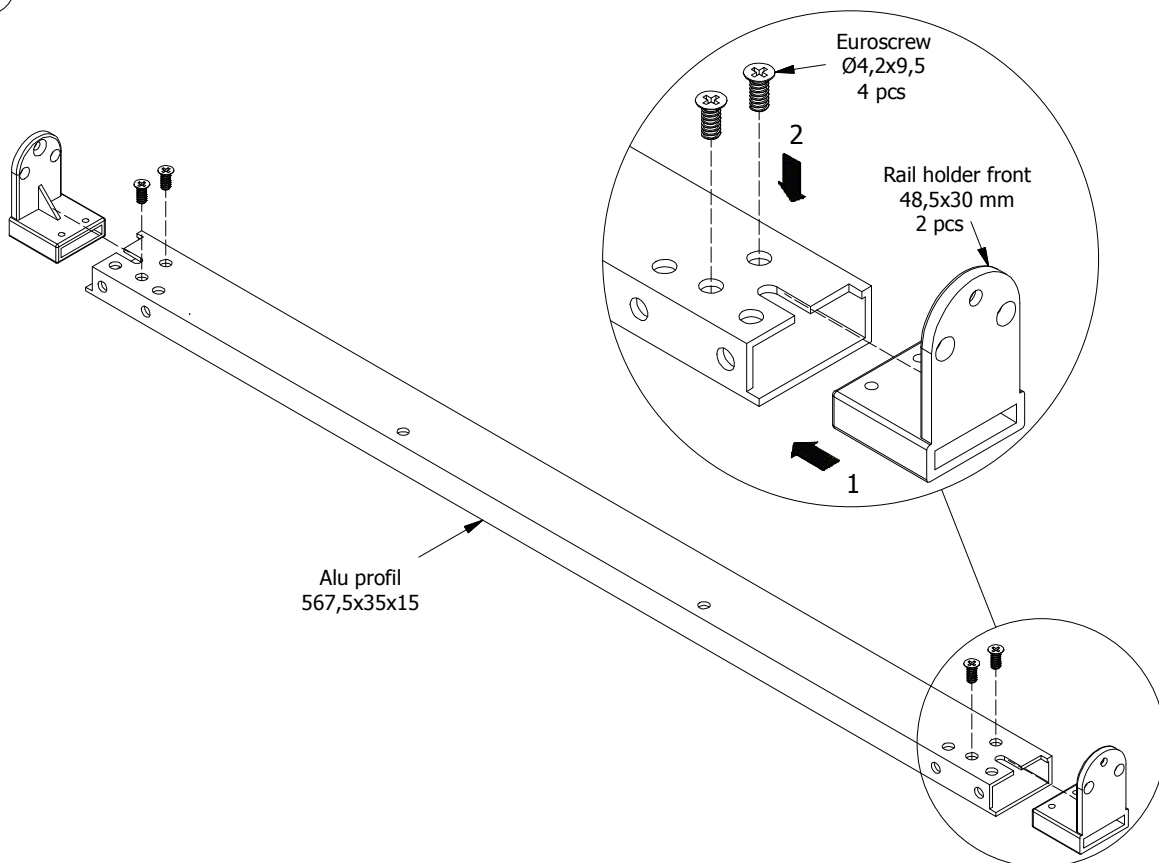


FIG.
13

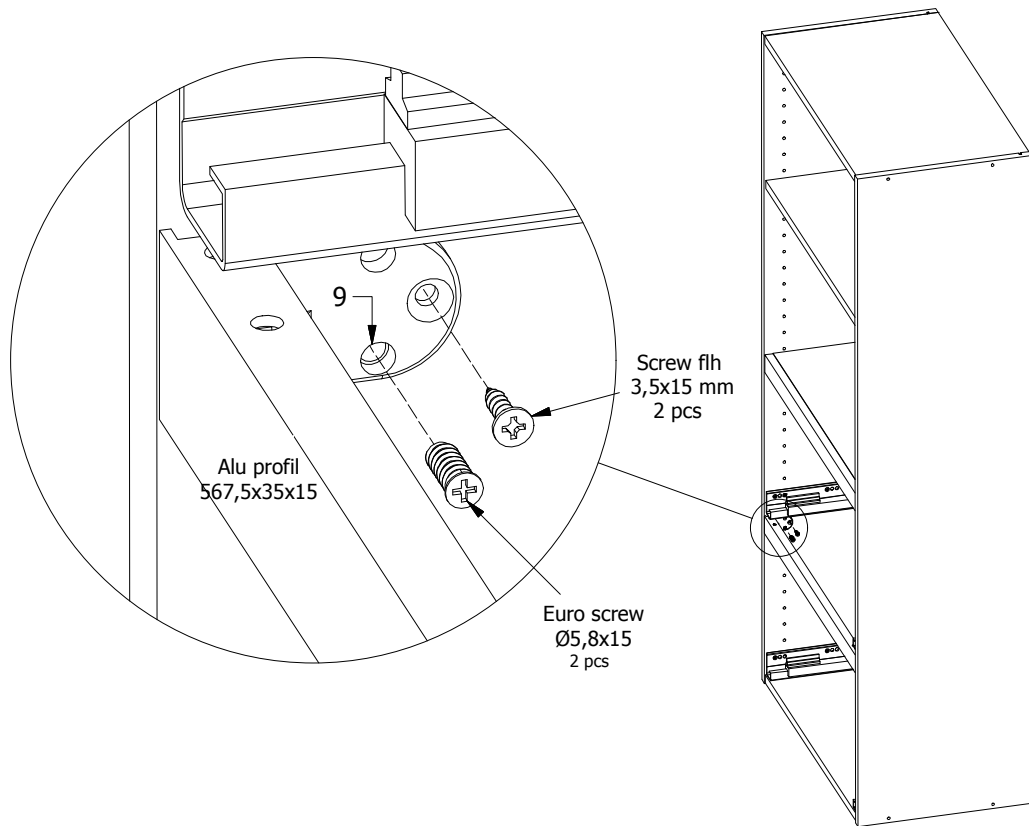


Fig
14

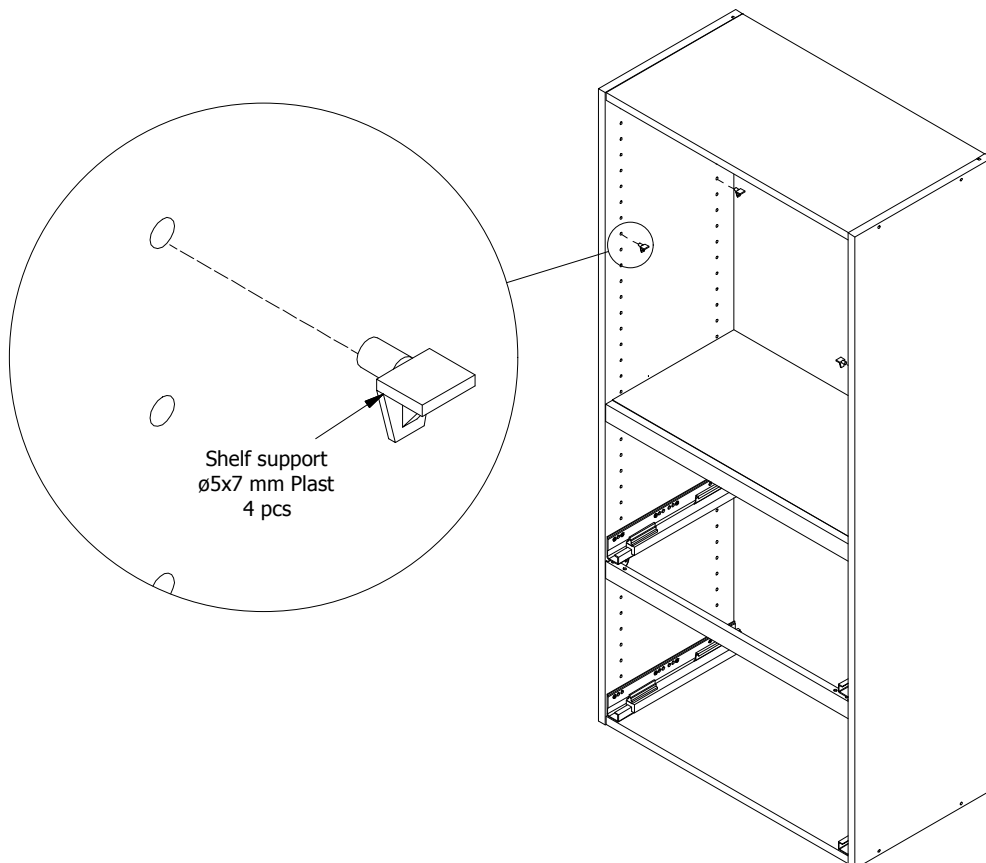


Fig 15

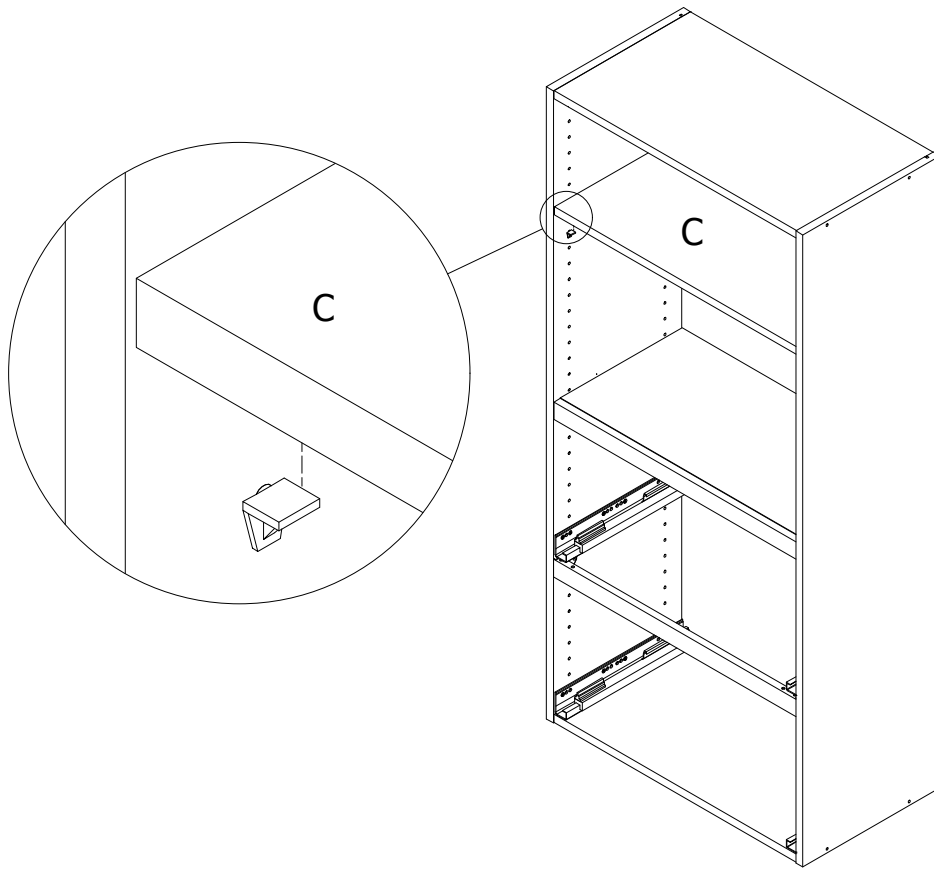


Fig 16

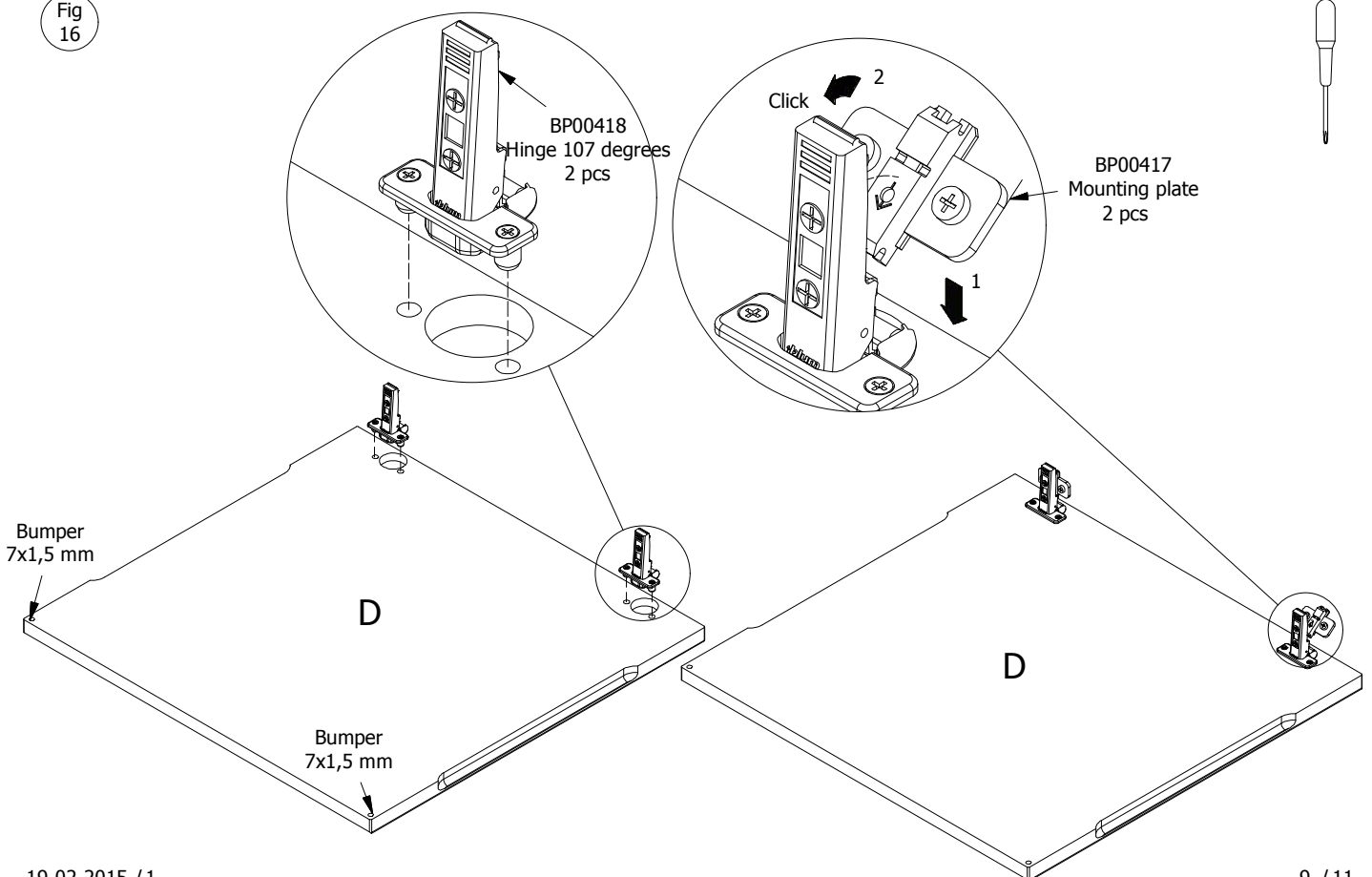
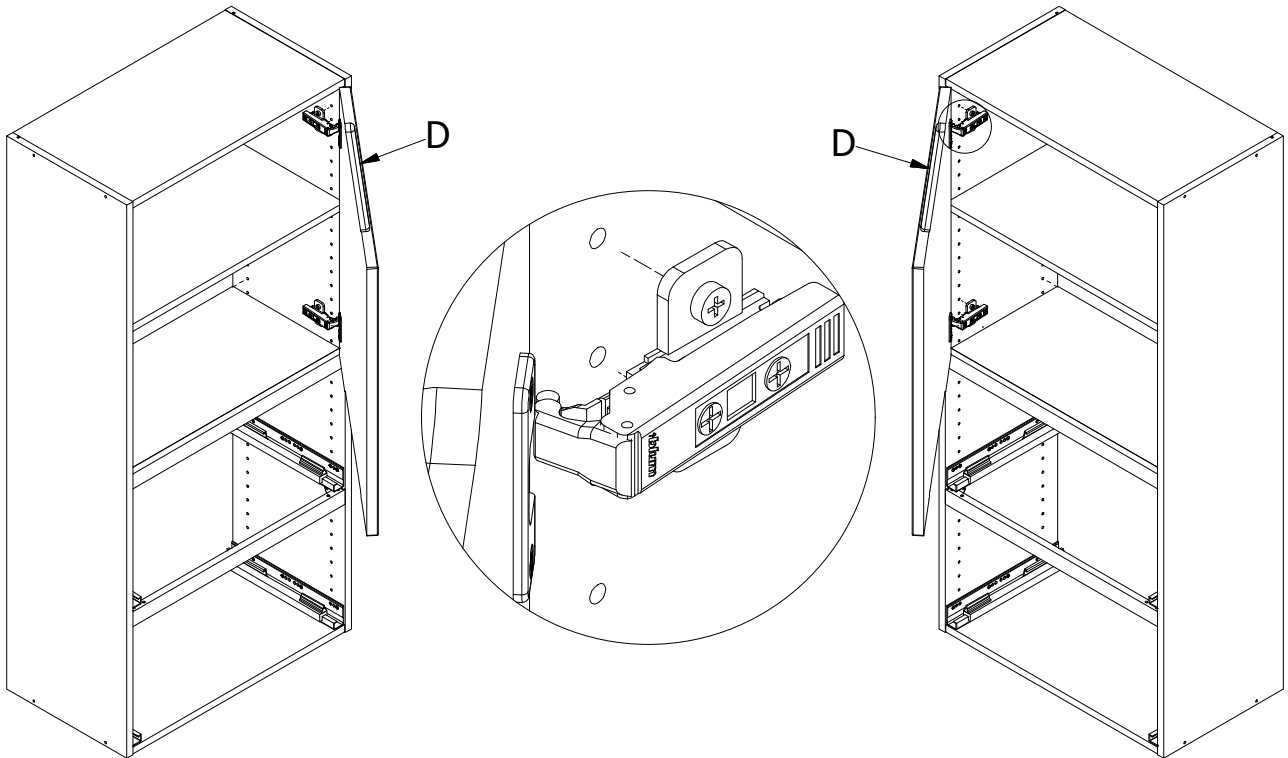


Fig 17

Right

Left



Adjustment

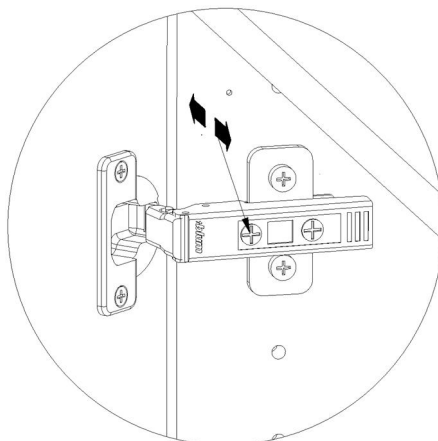
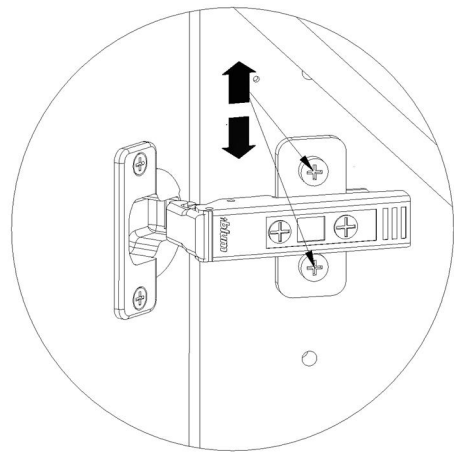
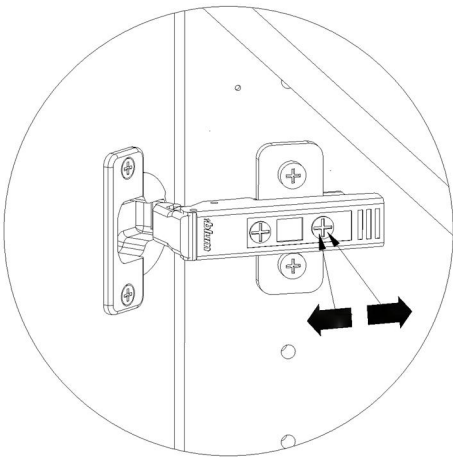


Fig
18

