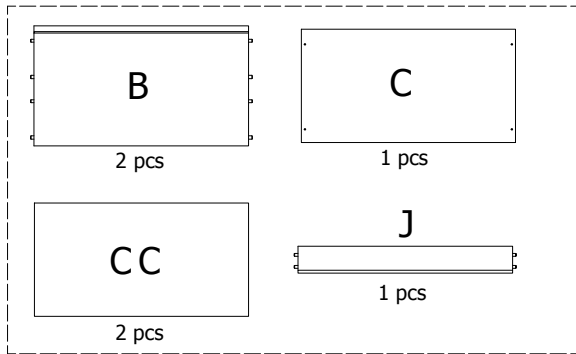


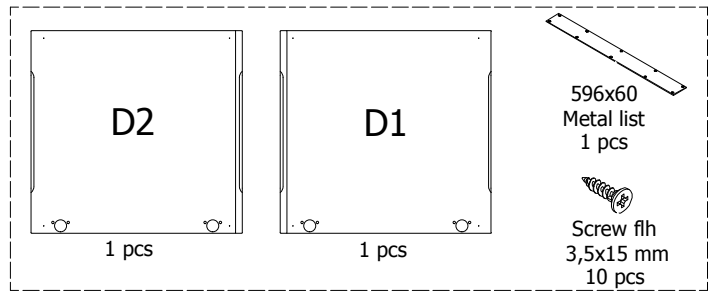
kvik 

MDSH2816,060-040

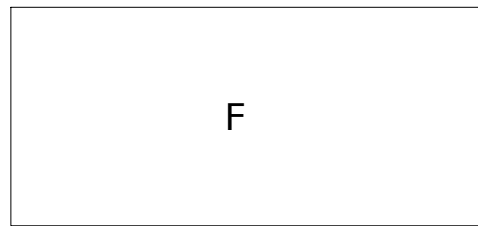
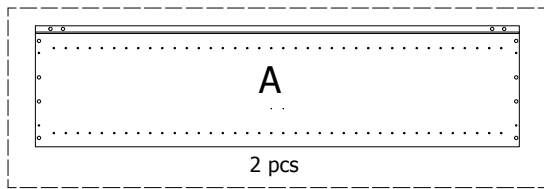
BH32*2,000 / 176



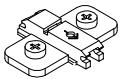
D



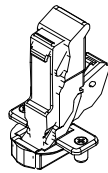
HS12832,000 / KVIK



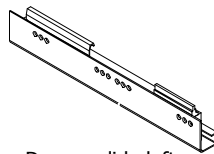
1 pcs



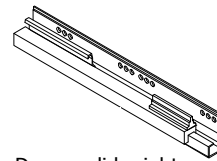
BP00417
Mounting plate
4 pcs



K15355
Hinge 155 degrees
4 pcs

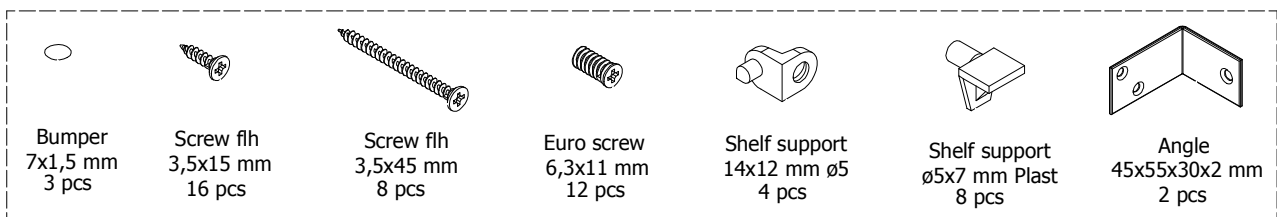


Drawer slide left
300
2 pcs



Drawer slide right
300
2 pcs

BP00270-BP00250



Bumper
7x1,5 mm
3 pcs

Screw flh
3,5x15 mm
16 pcs

Screw flh
3,5x45 mm
8 pcs

Euro screw
6,3x11 mm
12 pcs

Shelf support
14x12 mm ø5
4 pcs

Shelf support
ø5x7 mm Plast
8 pcs

Angle
45x55x30x2 mm
2 pcs

FIG. 1

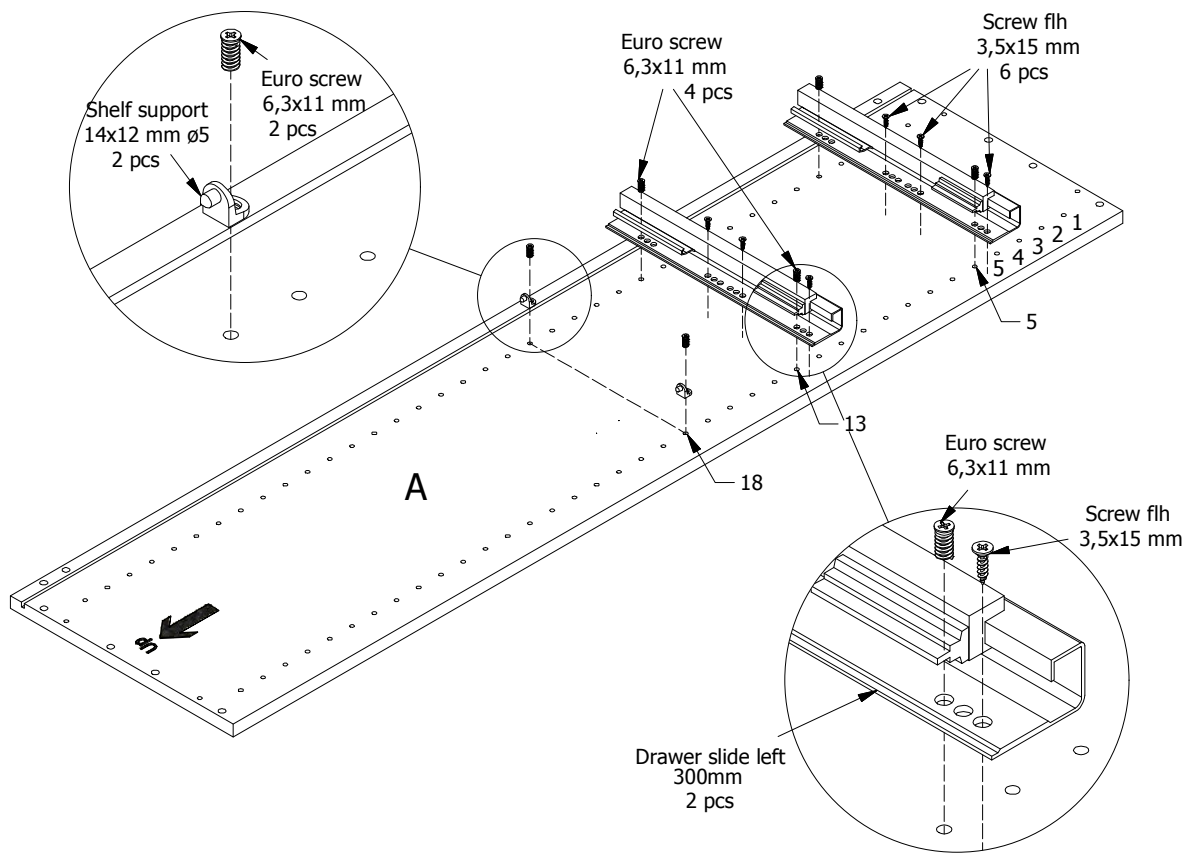


FIG. 2

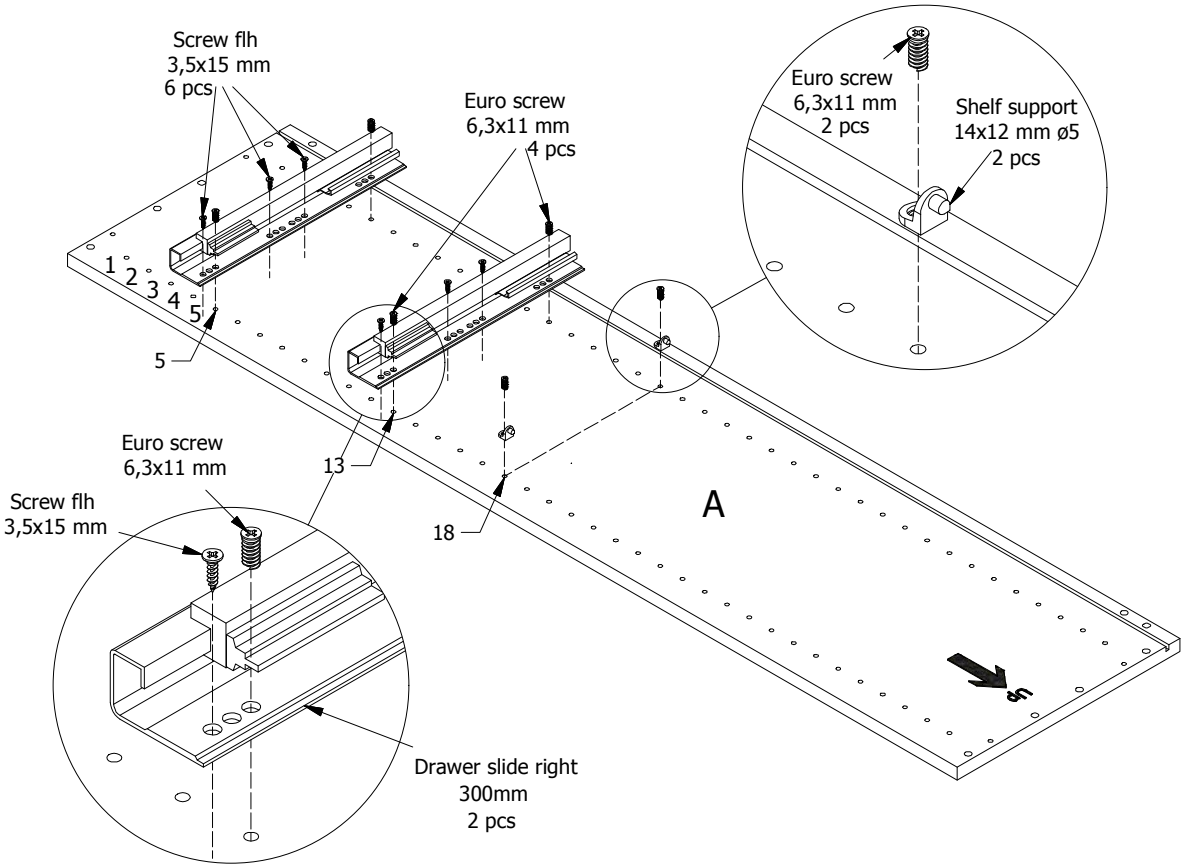


FIG. 3

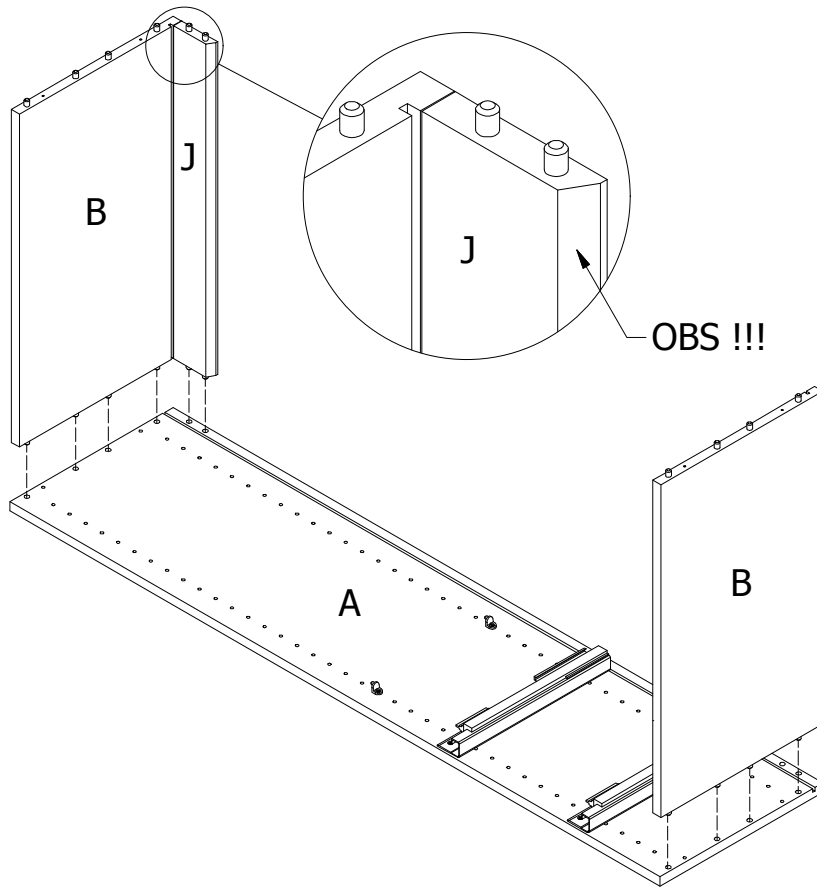


FIG. 4

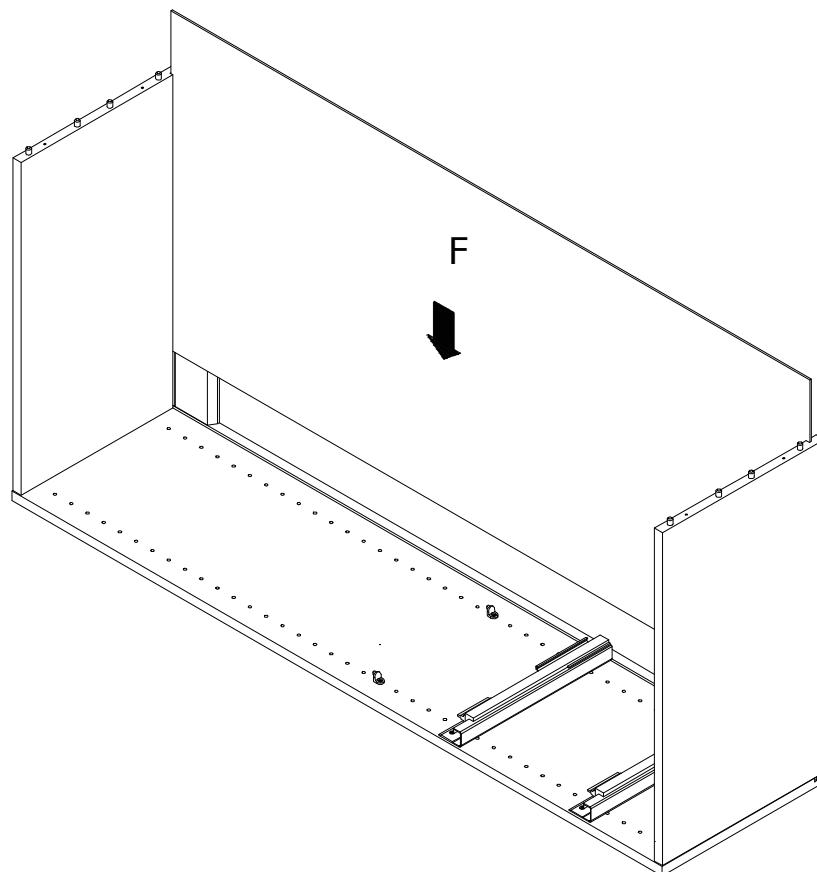


FIG. 5

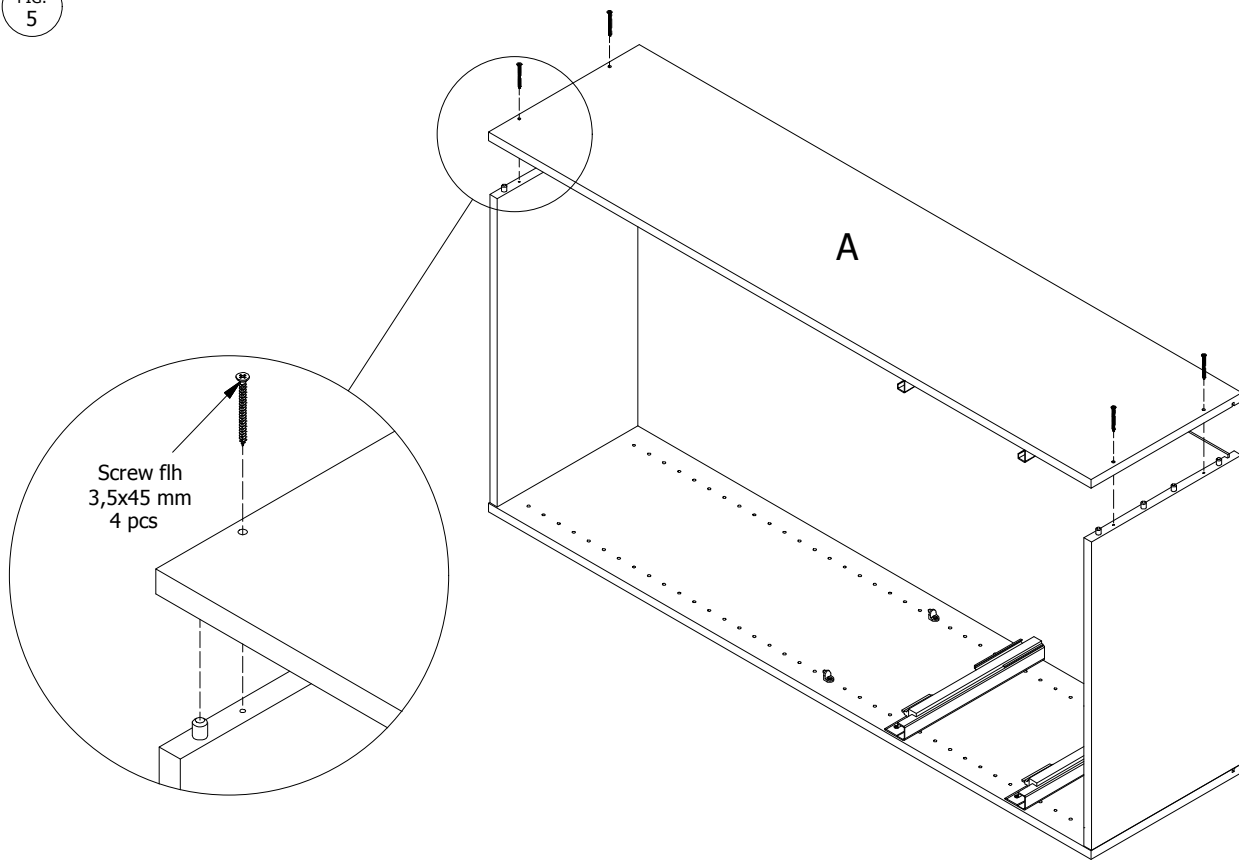


FIG. 6

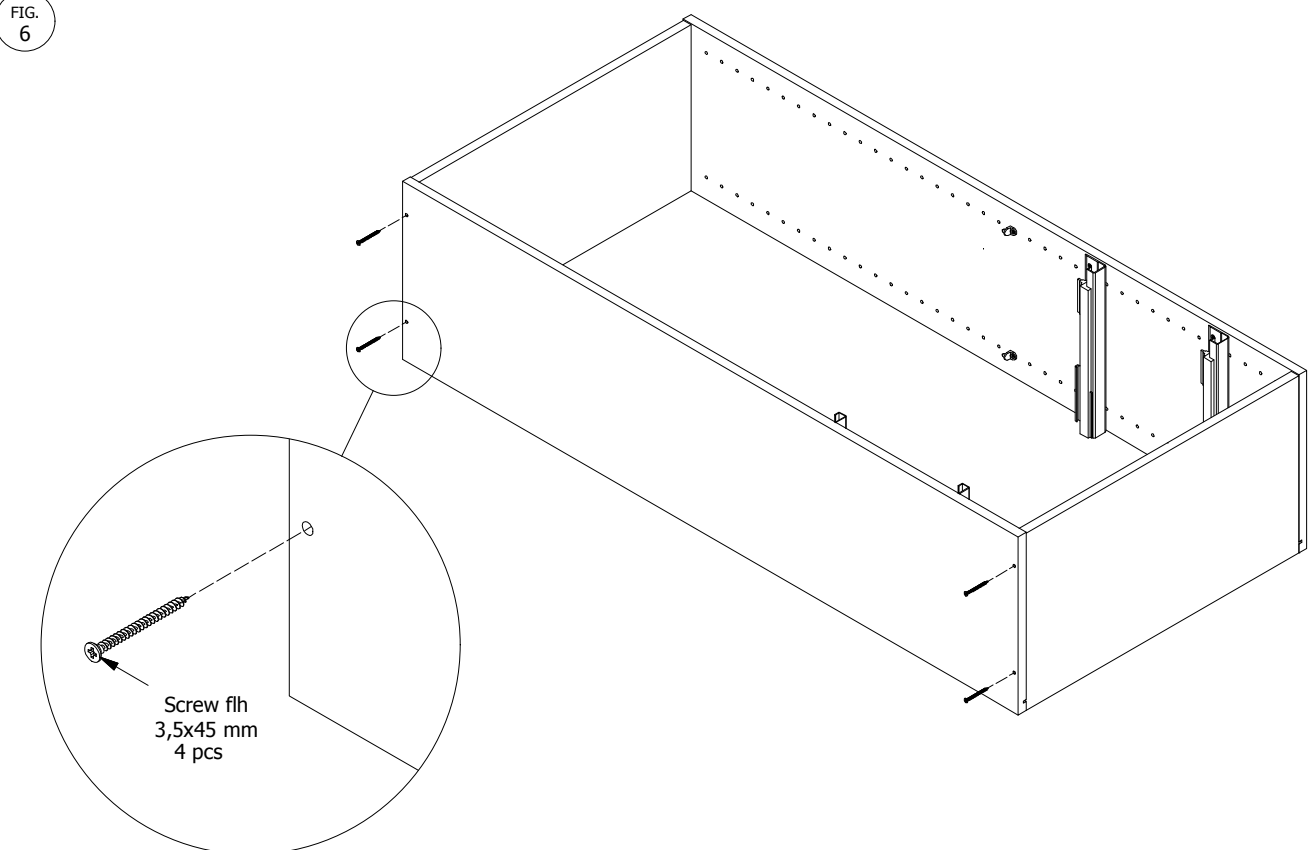


FIG. 7

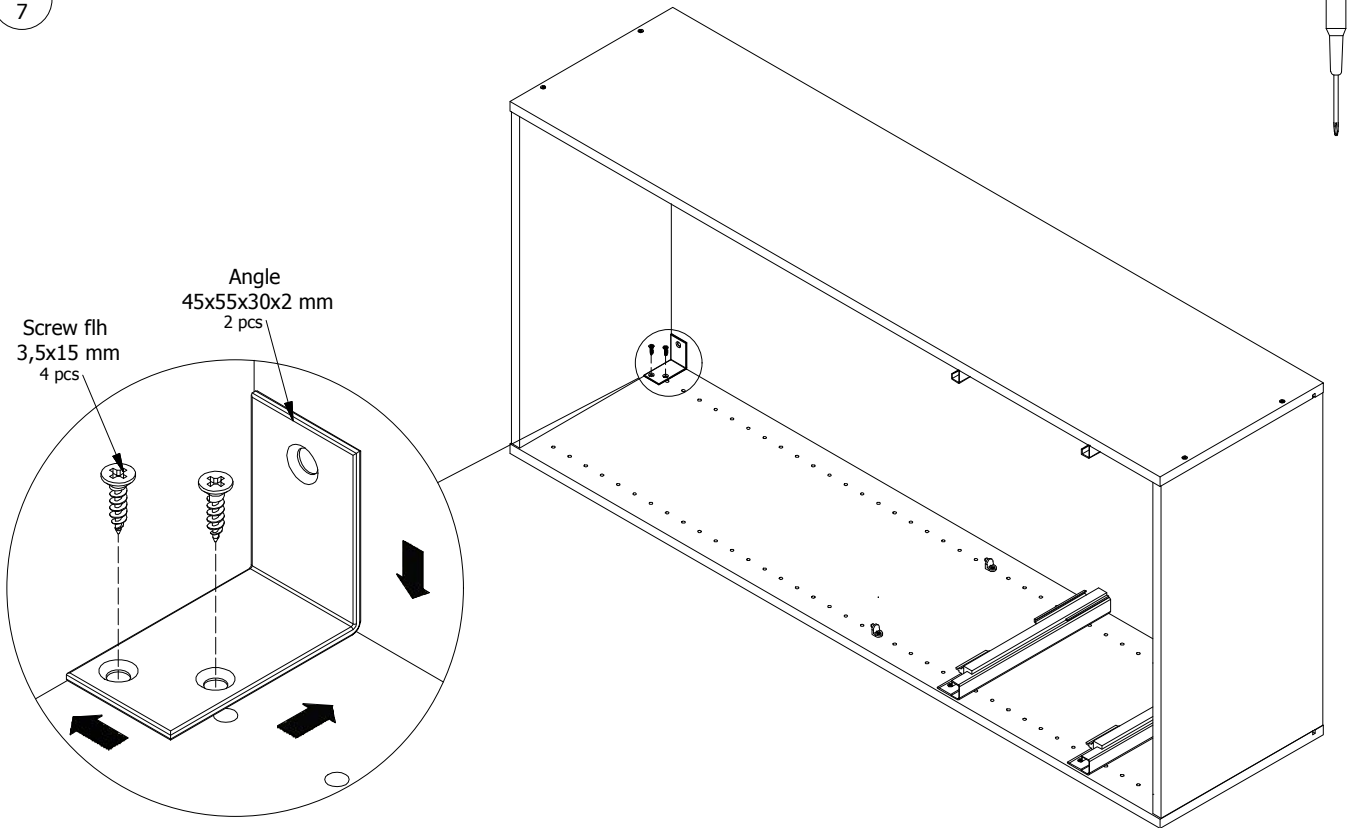


FIG. 8

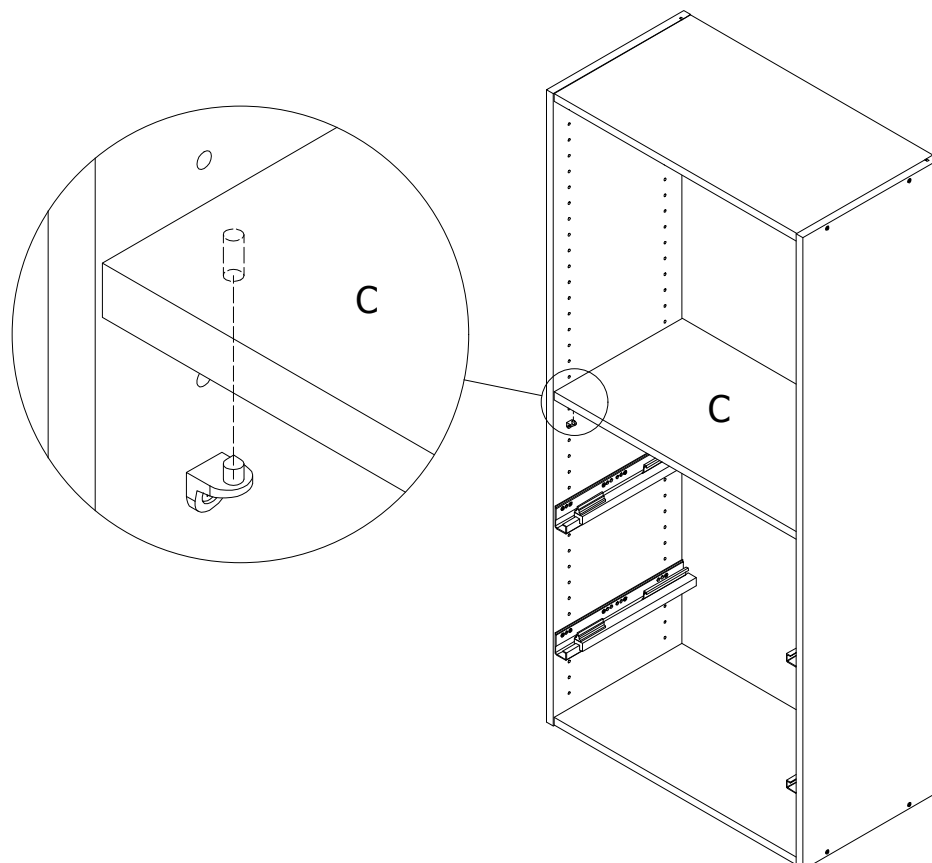


FIG. 9

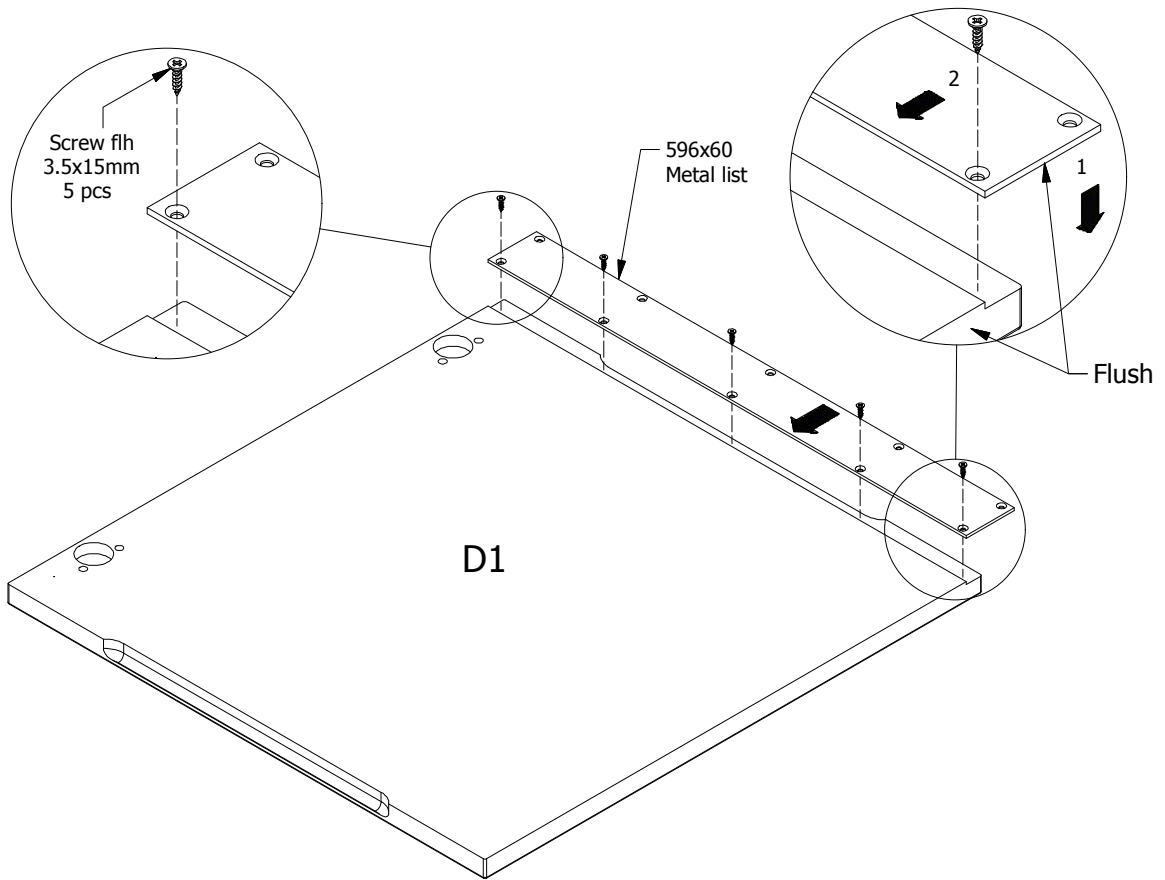


FIG. 10

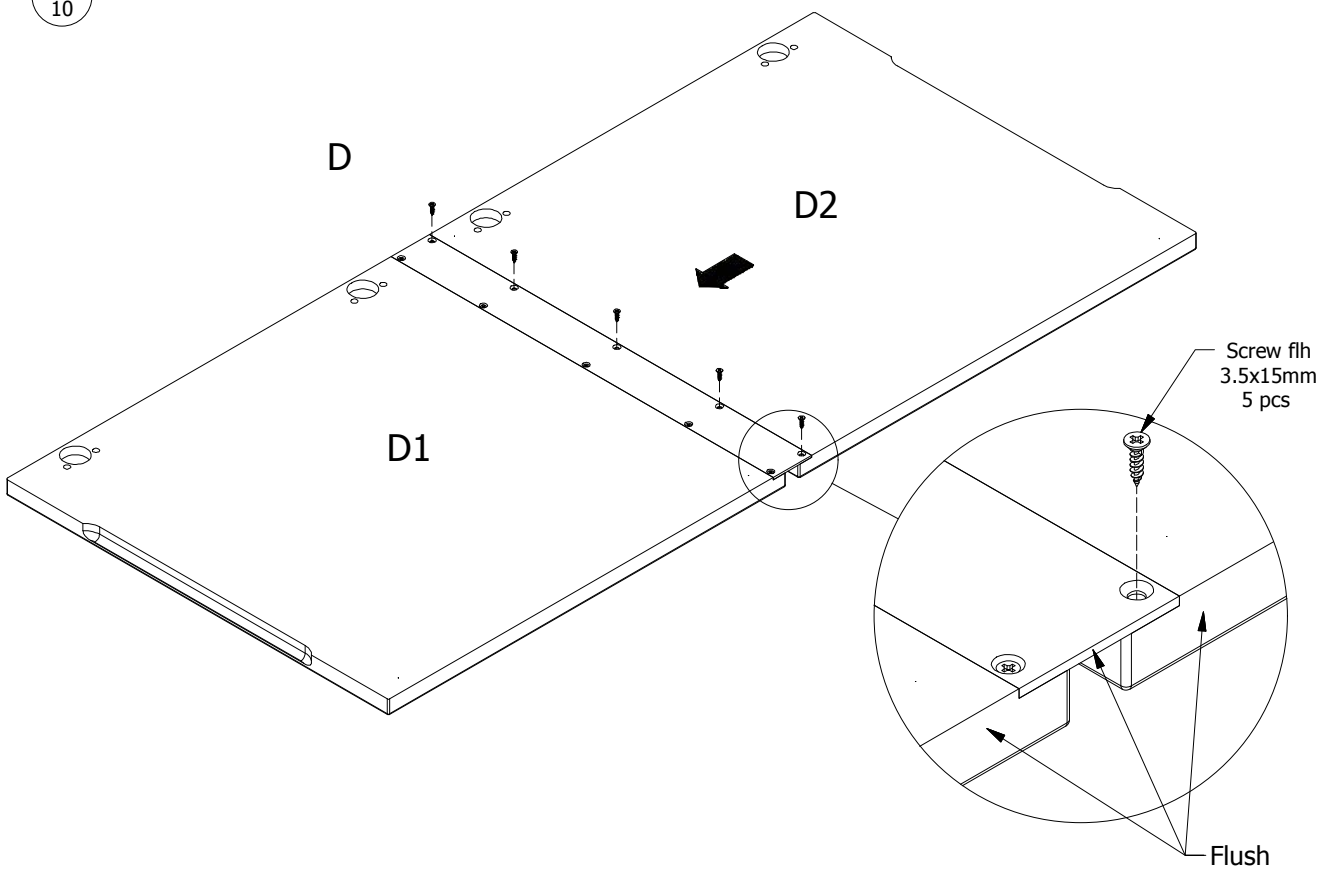


FIG. 11

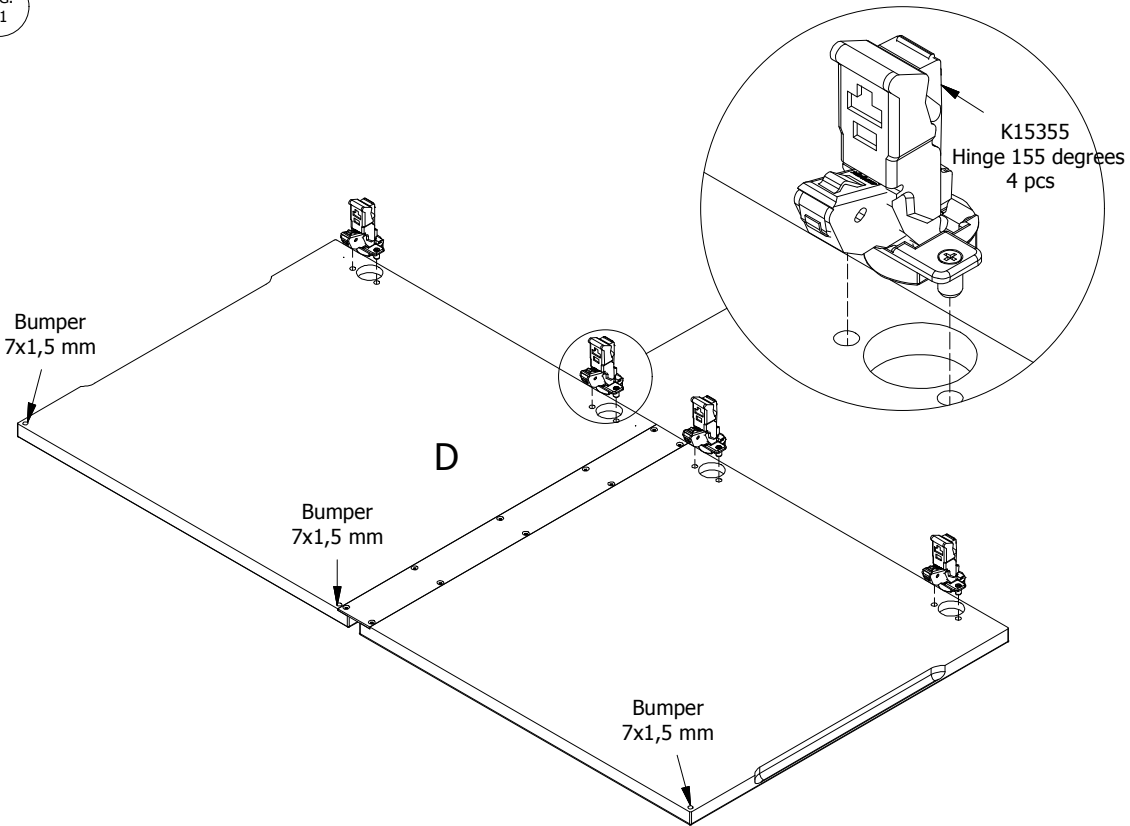


FIG. 12

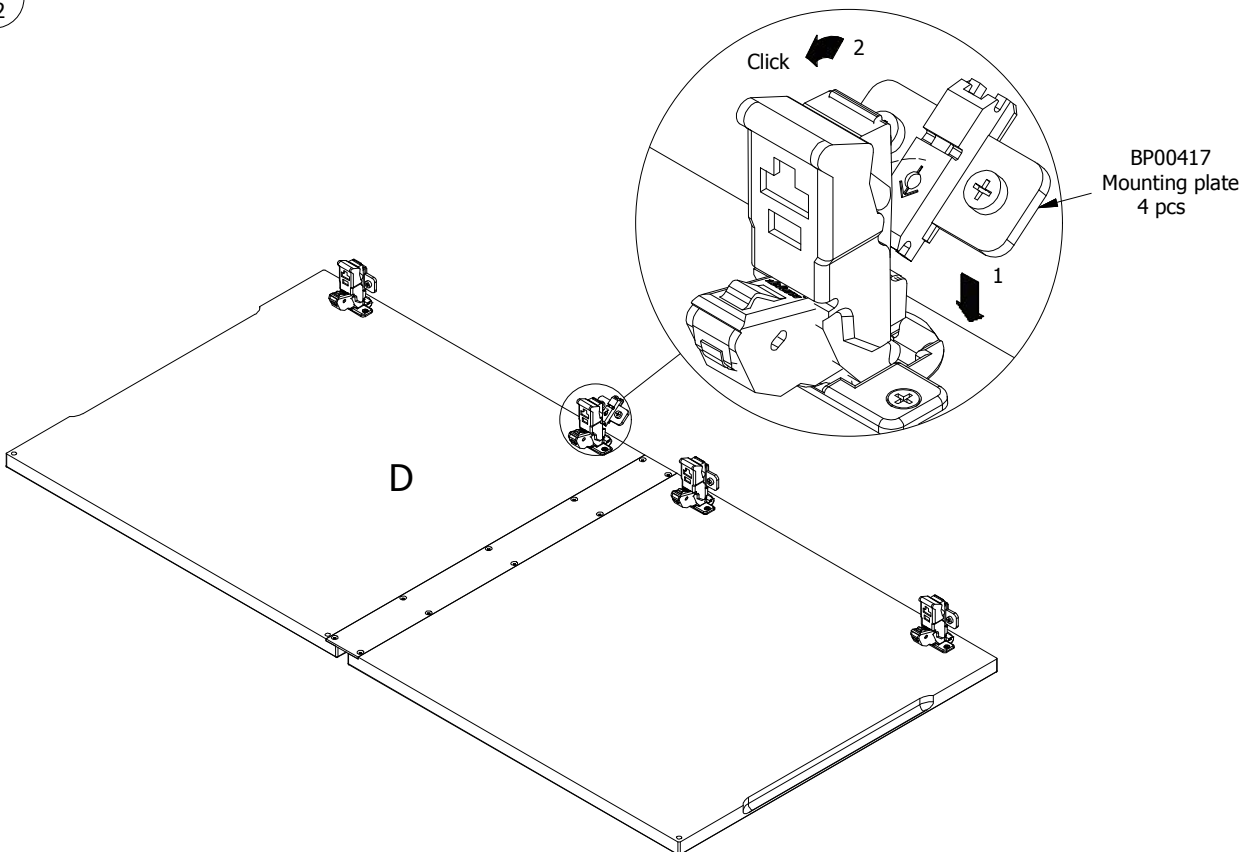


FIG. 13

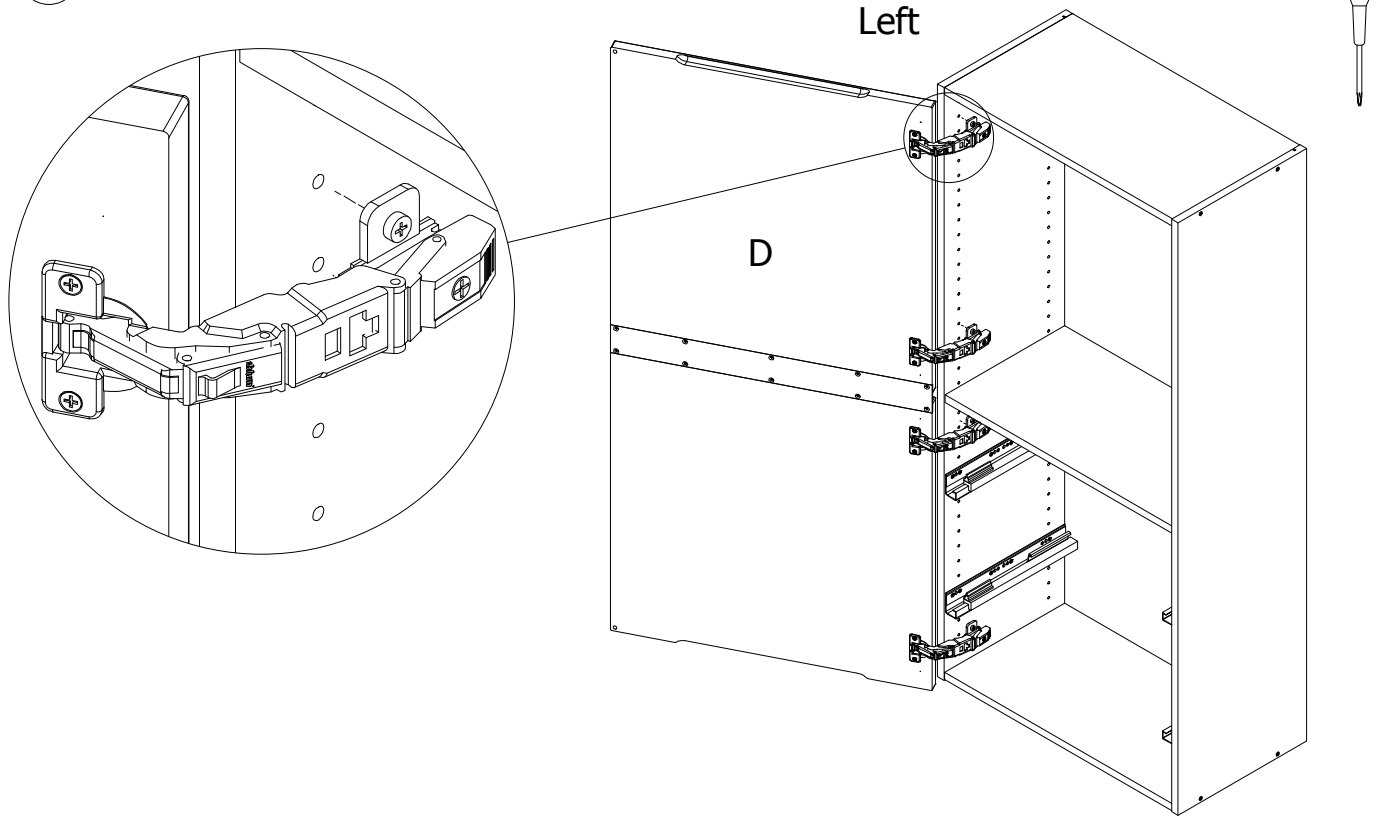
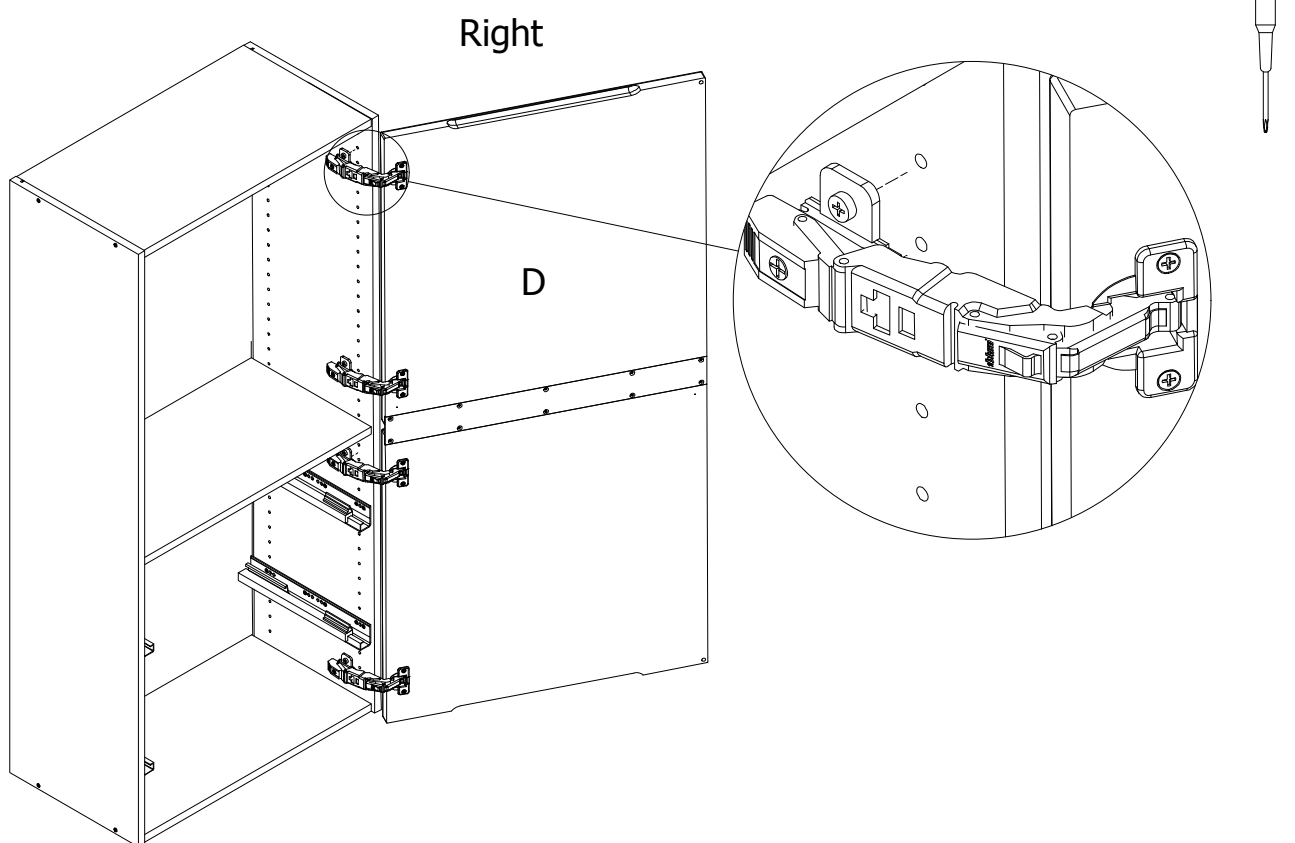


Fig 14



Adjustment

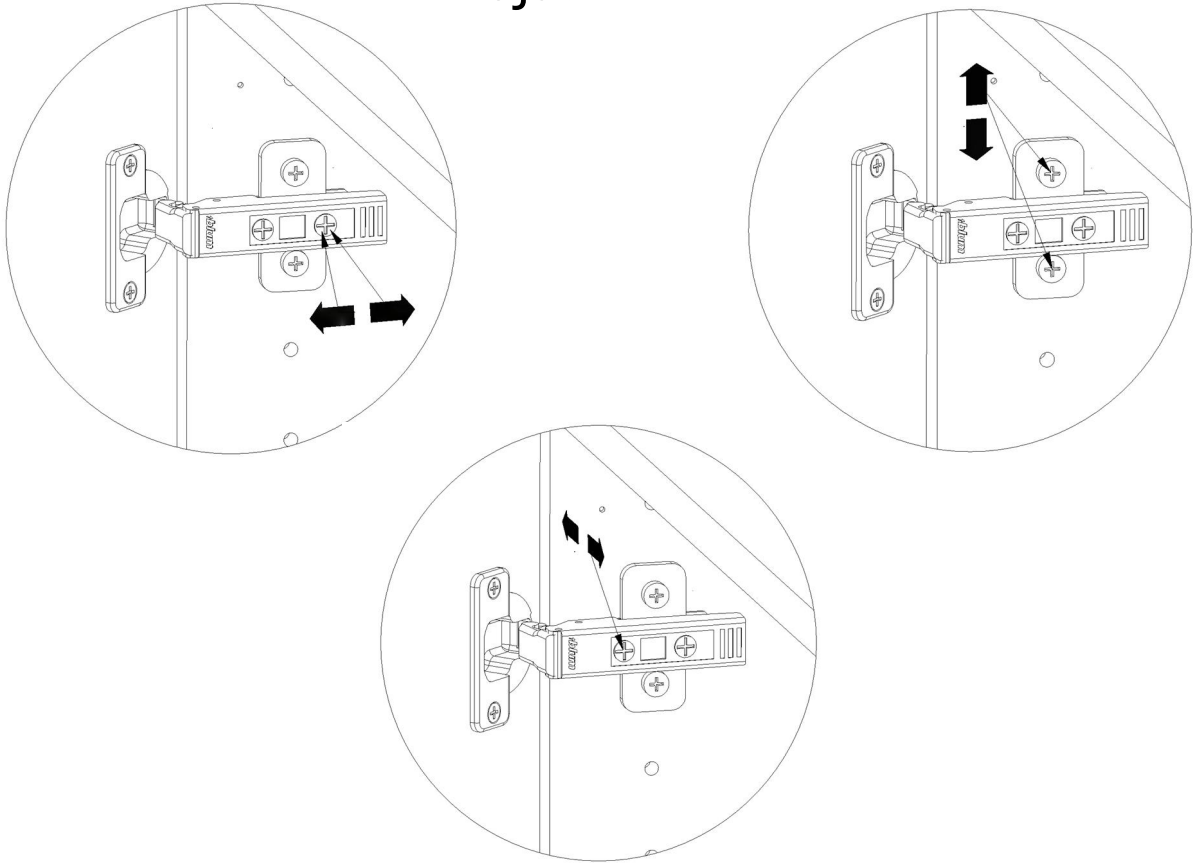


Fig 15

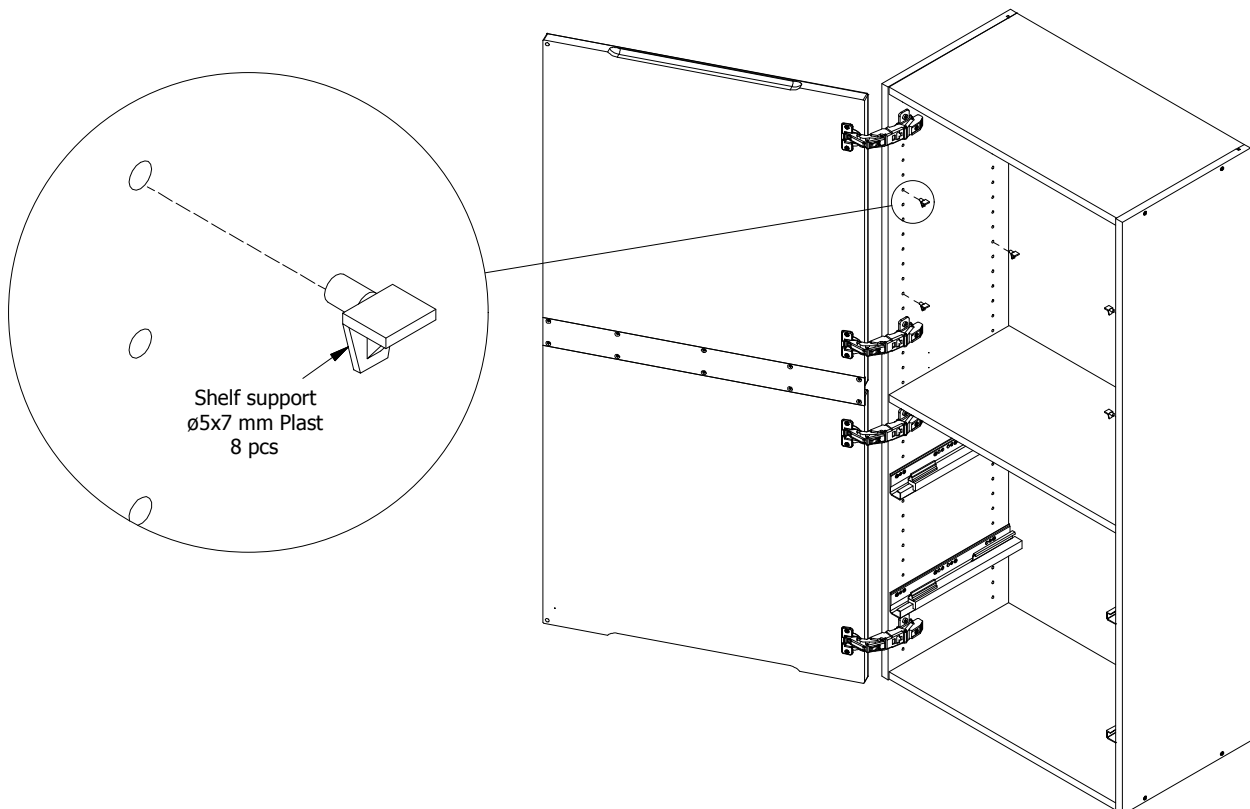


Fig 16

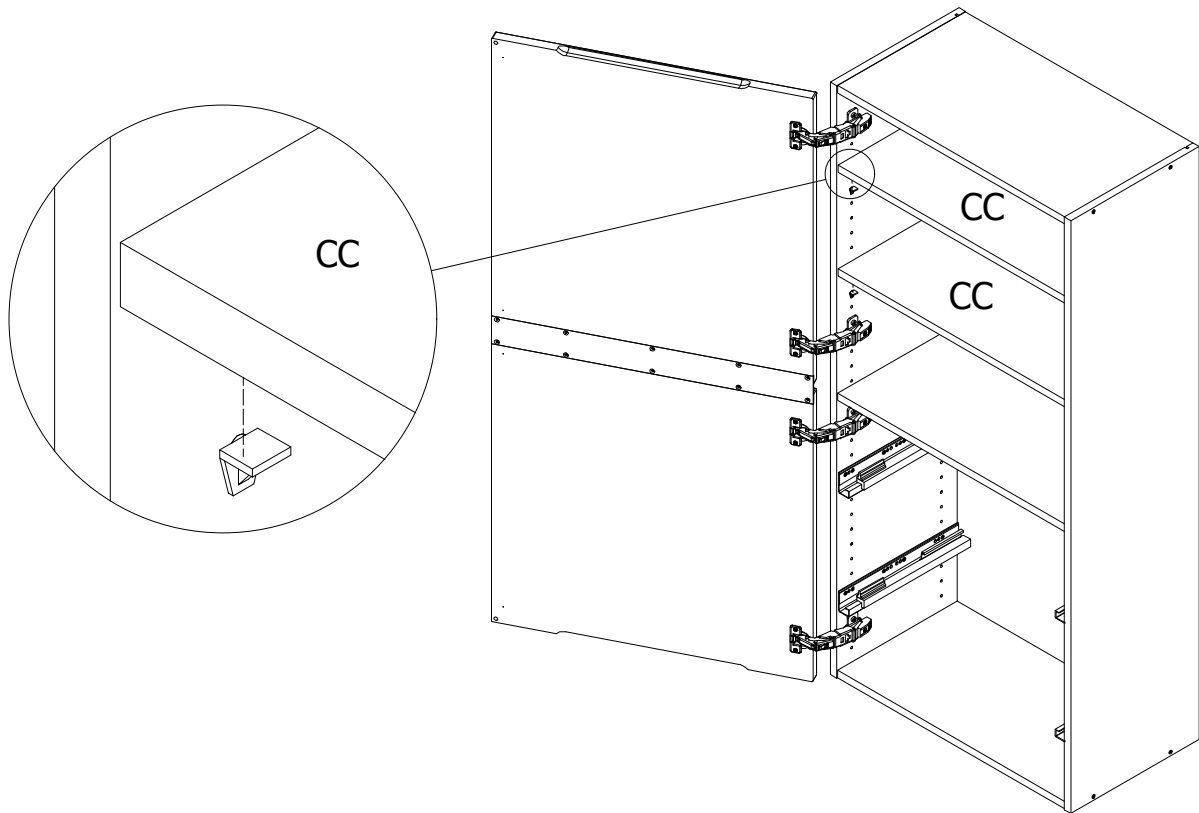


Fig 17

