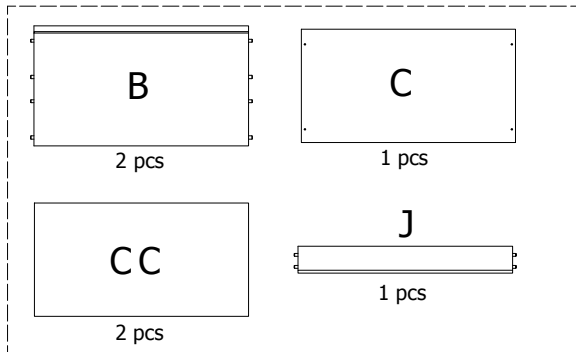


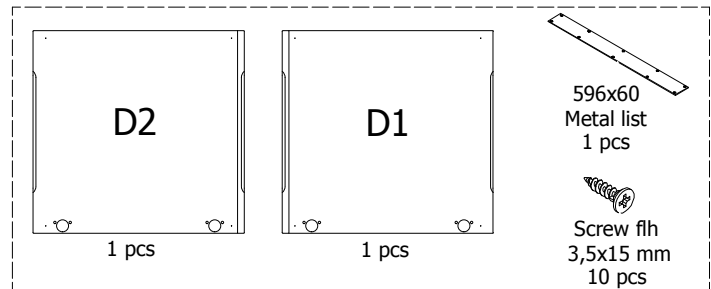
kvik 

MDSH2815,060-040

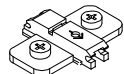
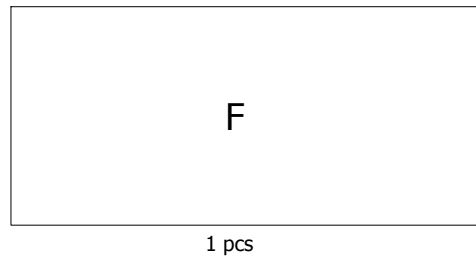
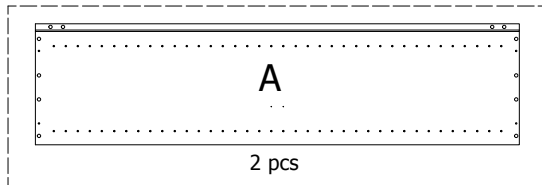
BH32*2,000/176



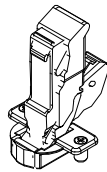
D



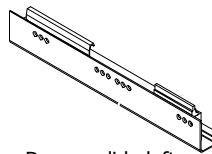
HS12832,000/KVIK



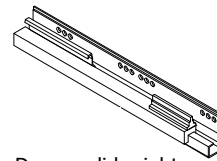
BP00417
Mounting plate
4 pcs



K15355
Hinge 155 degrees
4 pcs



Drawer slide left
300
2 pcs



Drawer slide right
300
2 pcs

BP00270-BP00250

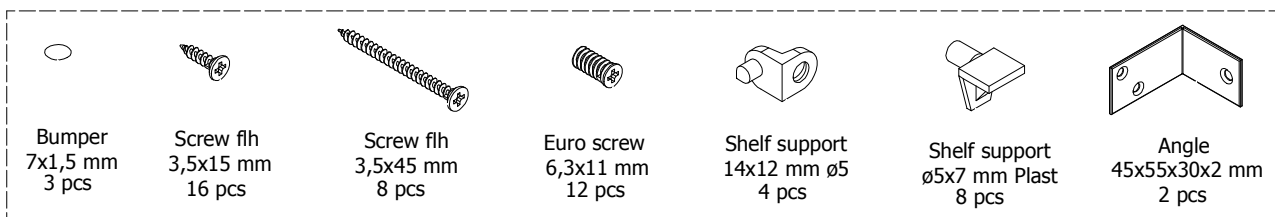


FIG. 1

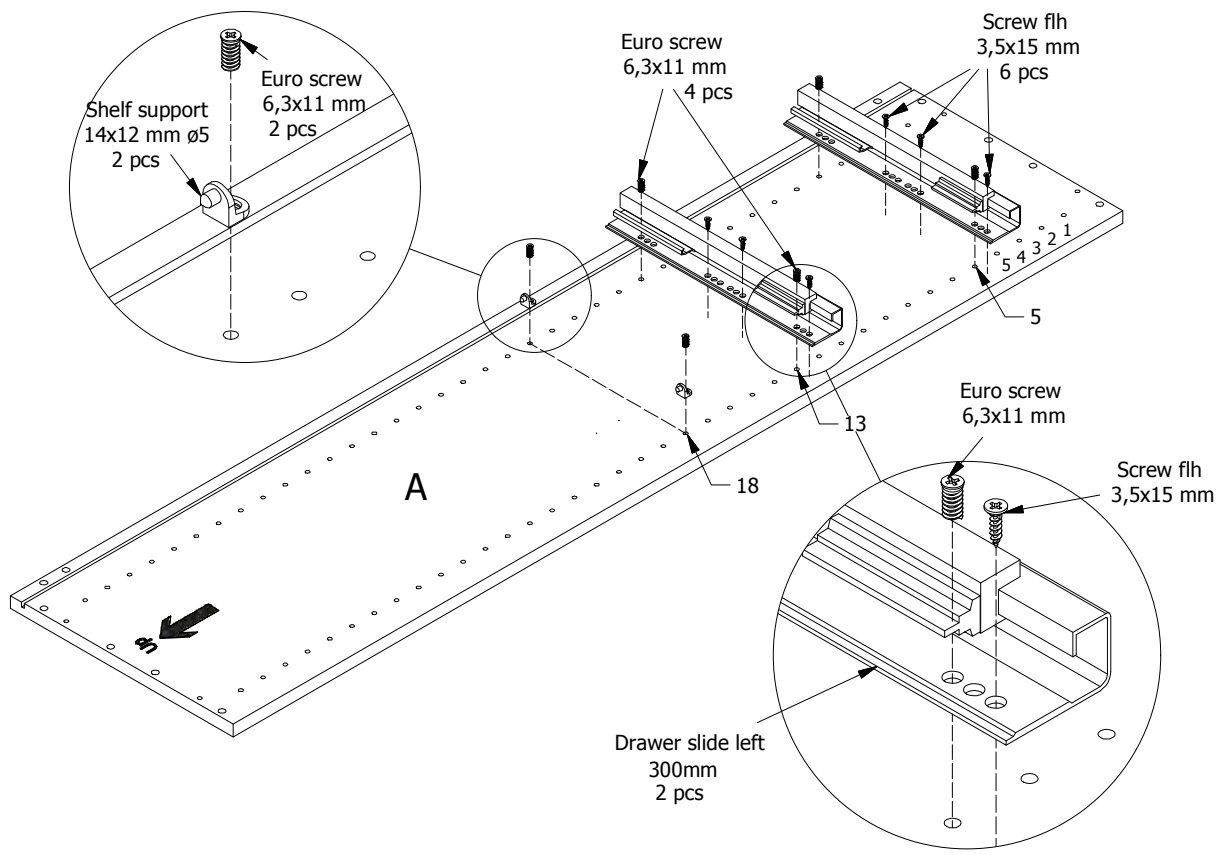


FIG. 2

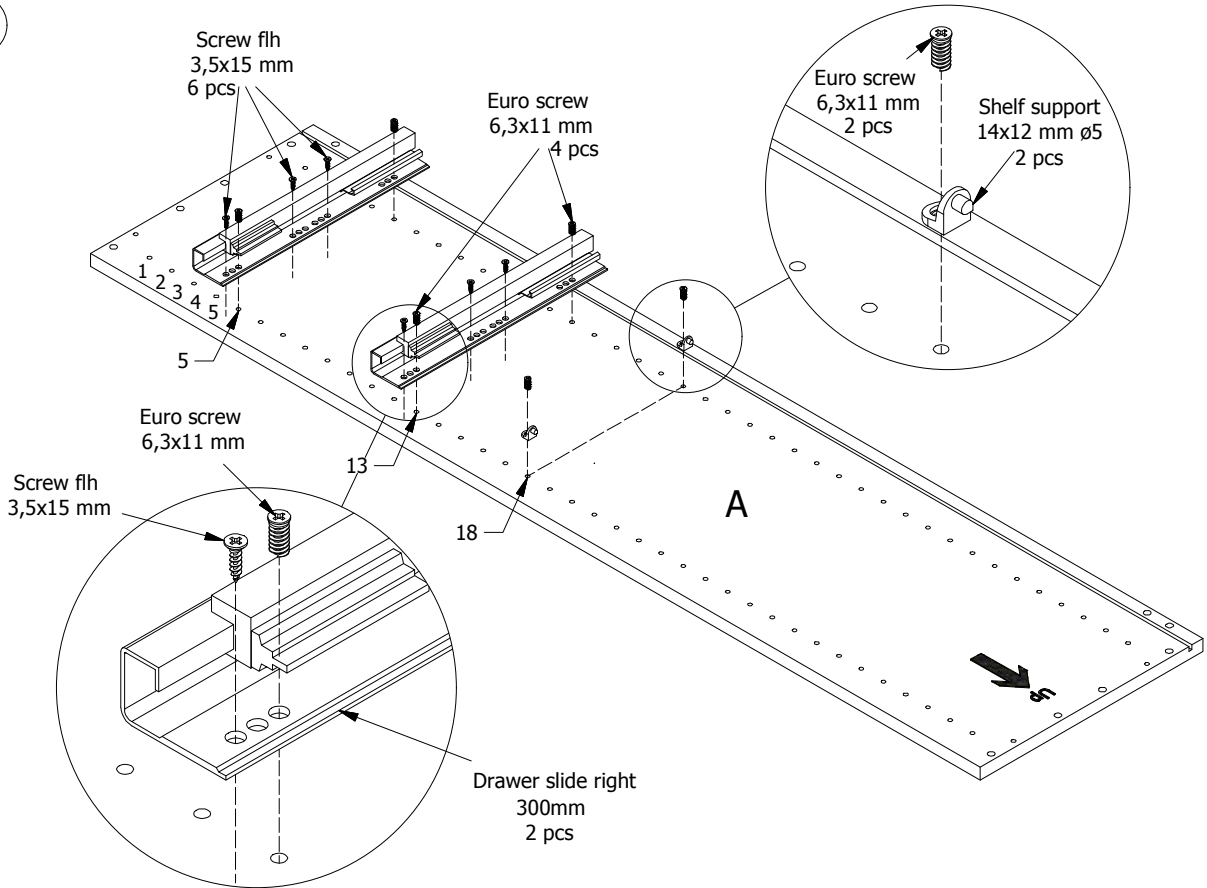


FIG. 3

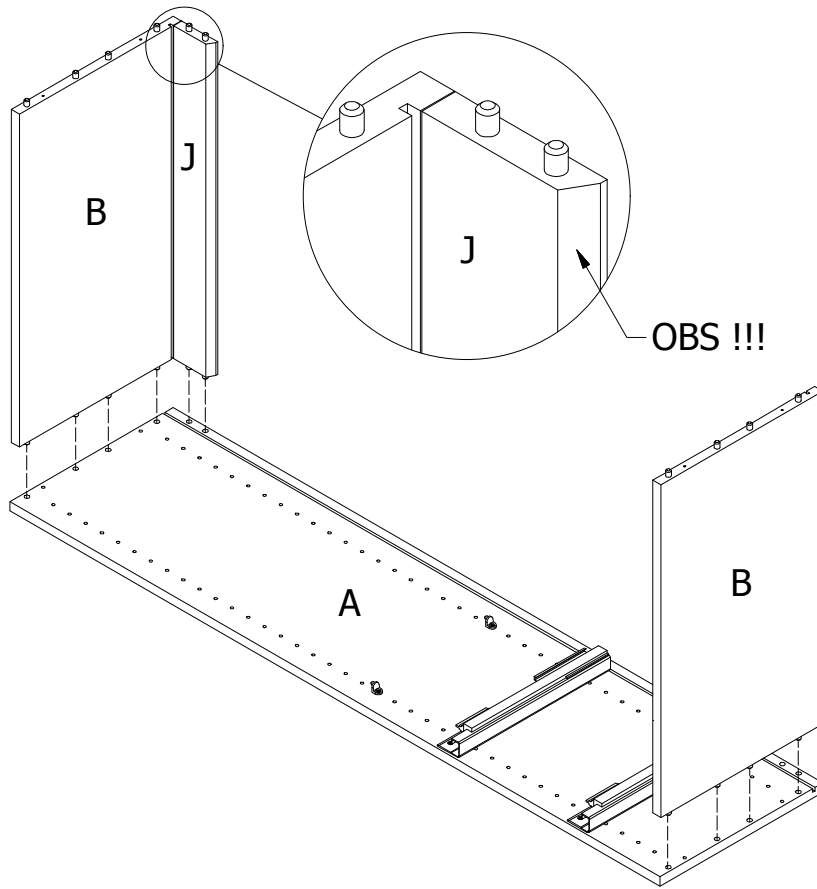


FIG. 4

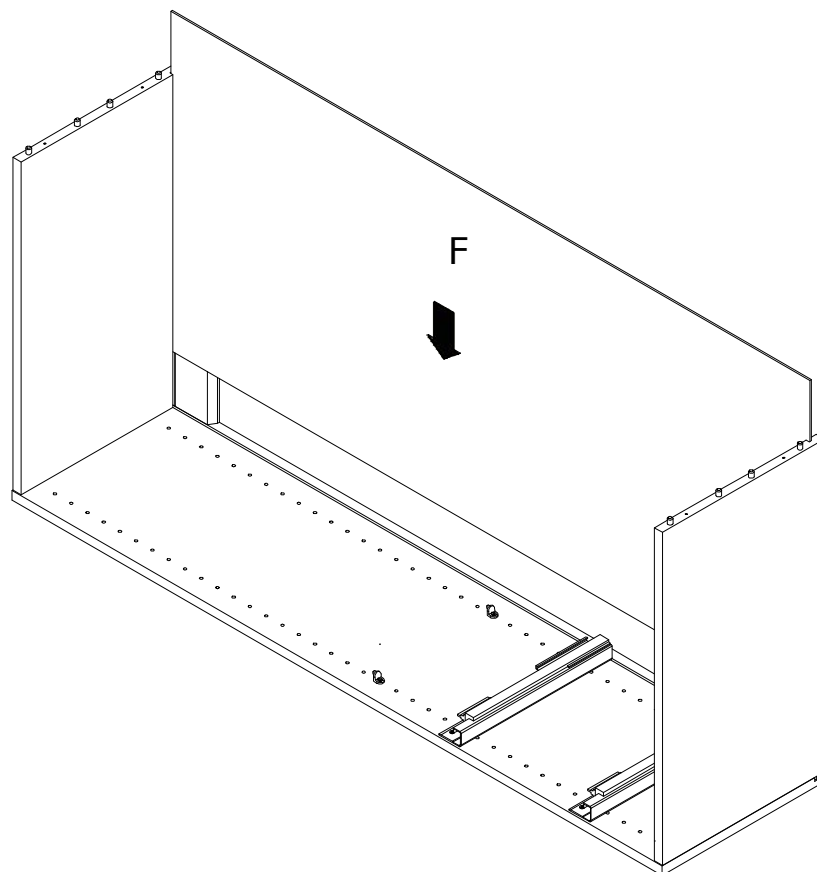


FIG. 5

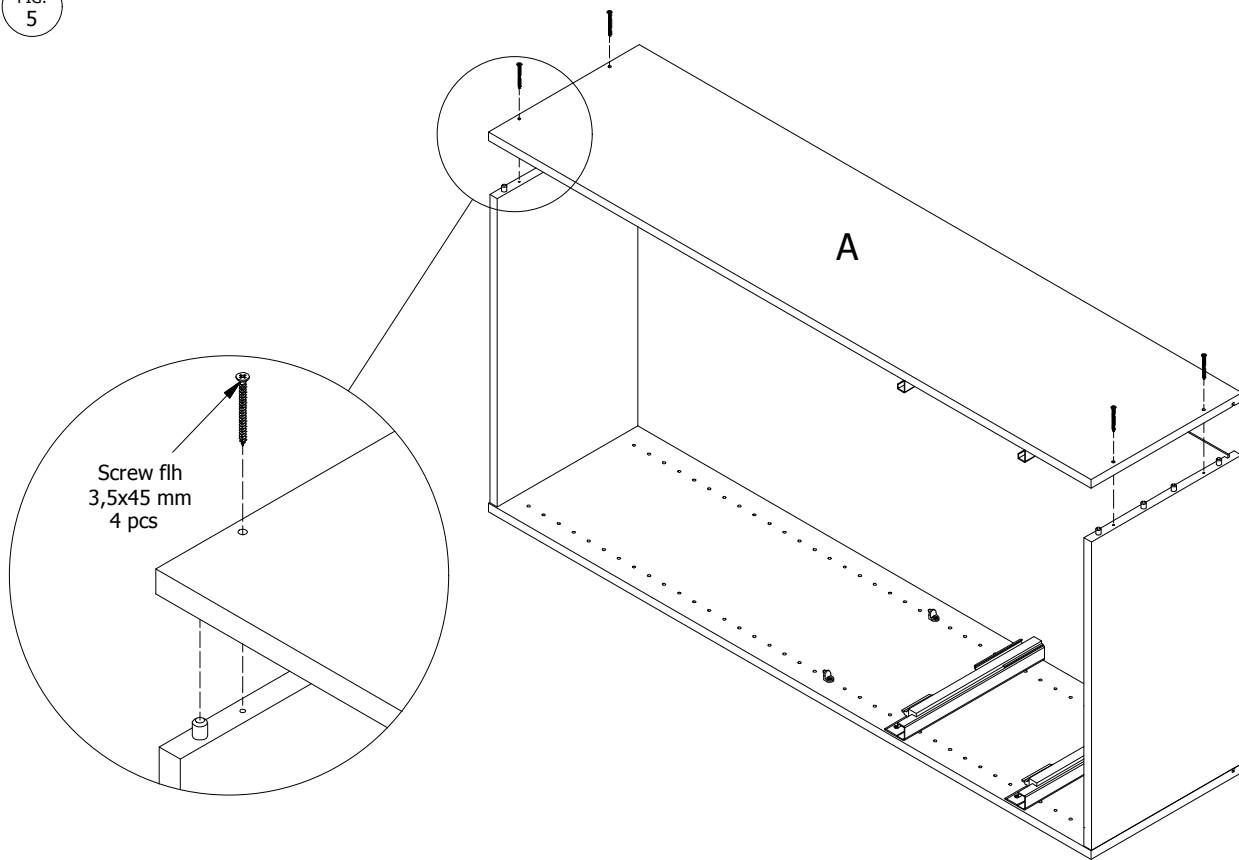


FIG. 6

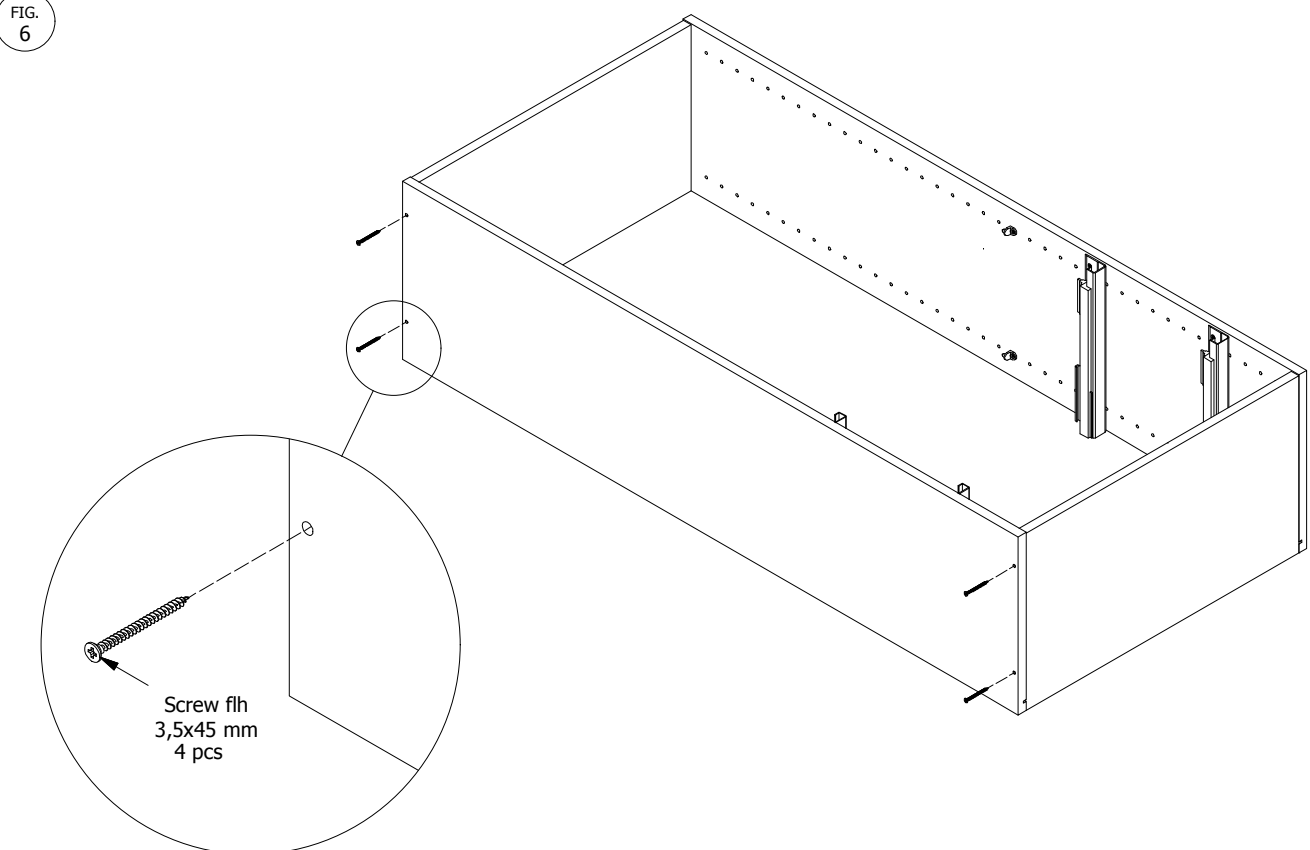


FIG. 7

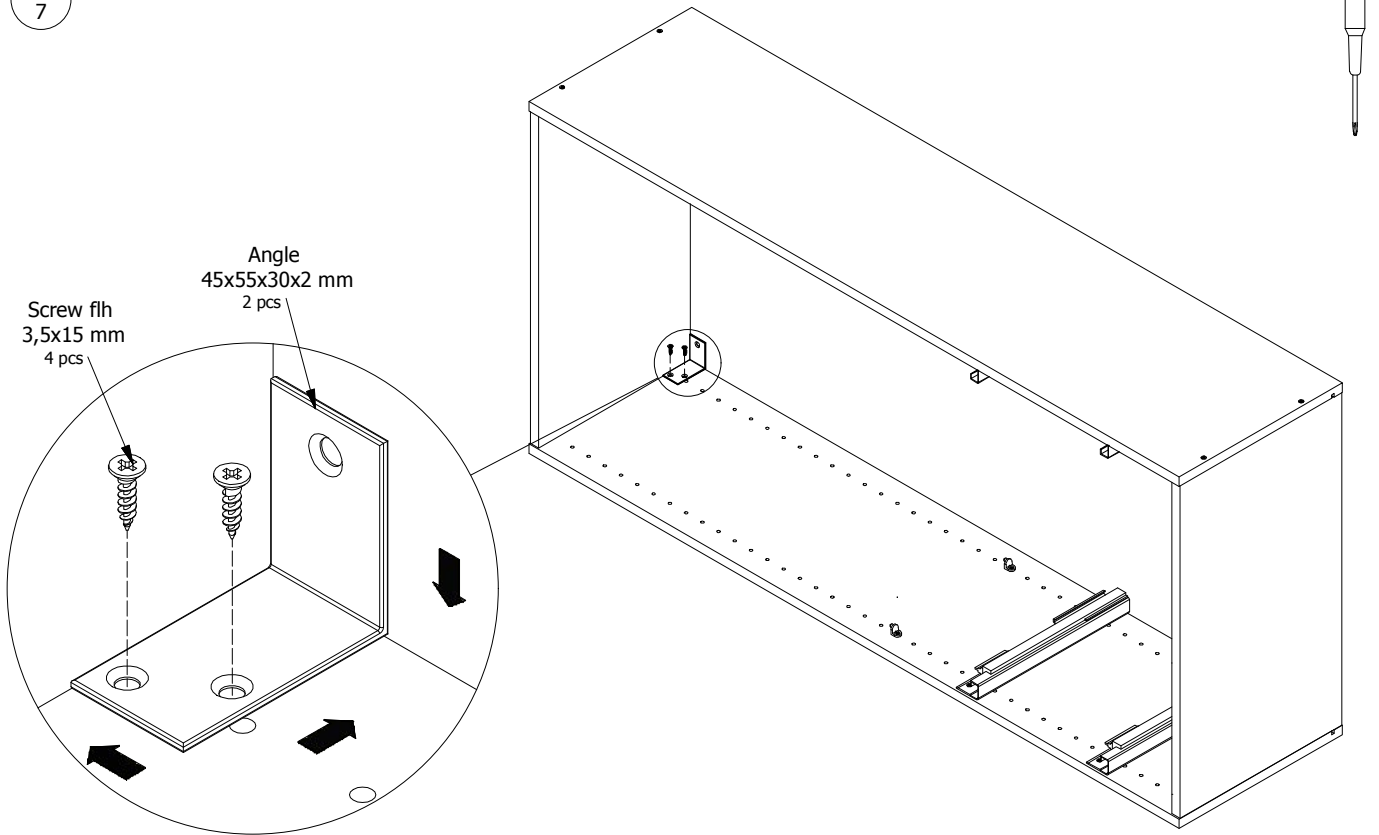


FIG. 8

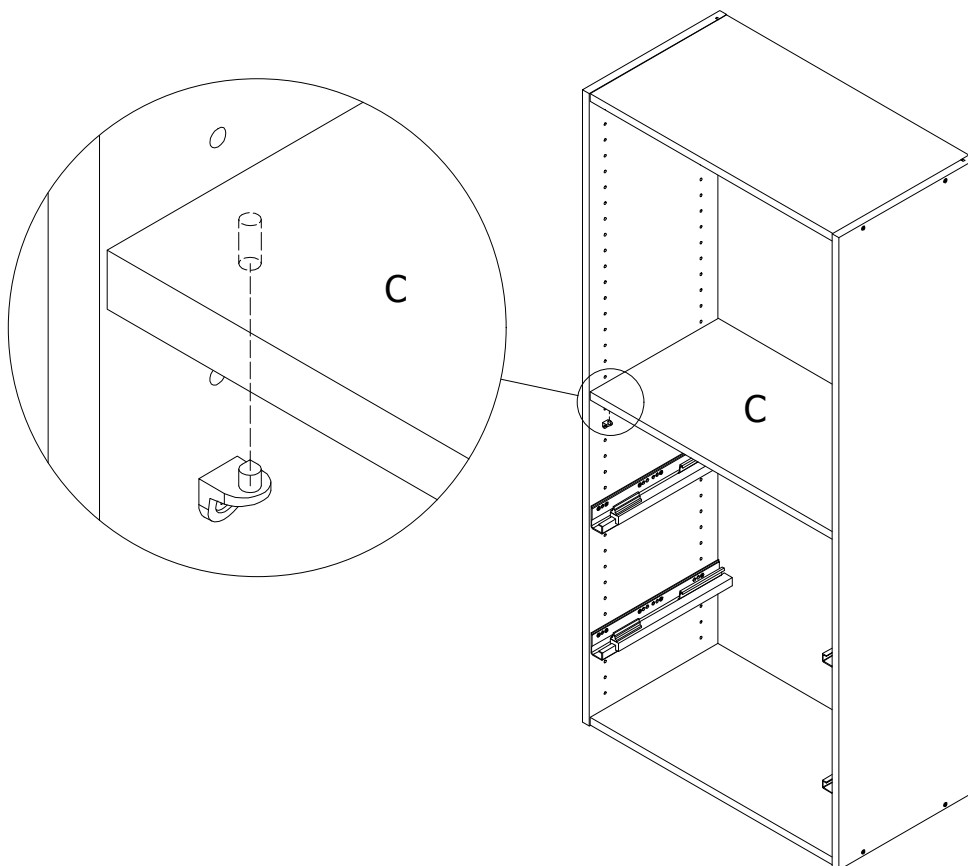


FIG. 9

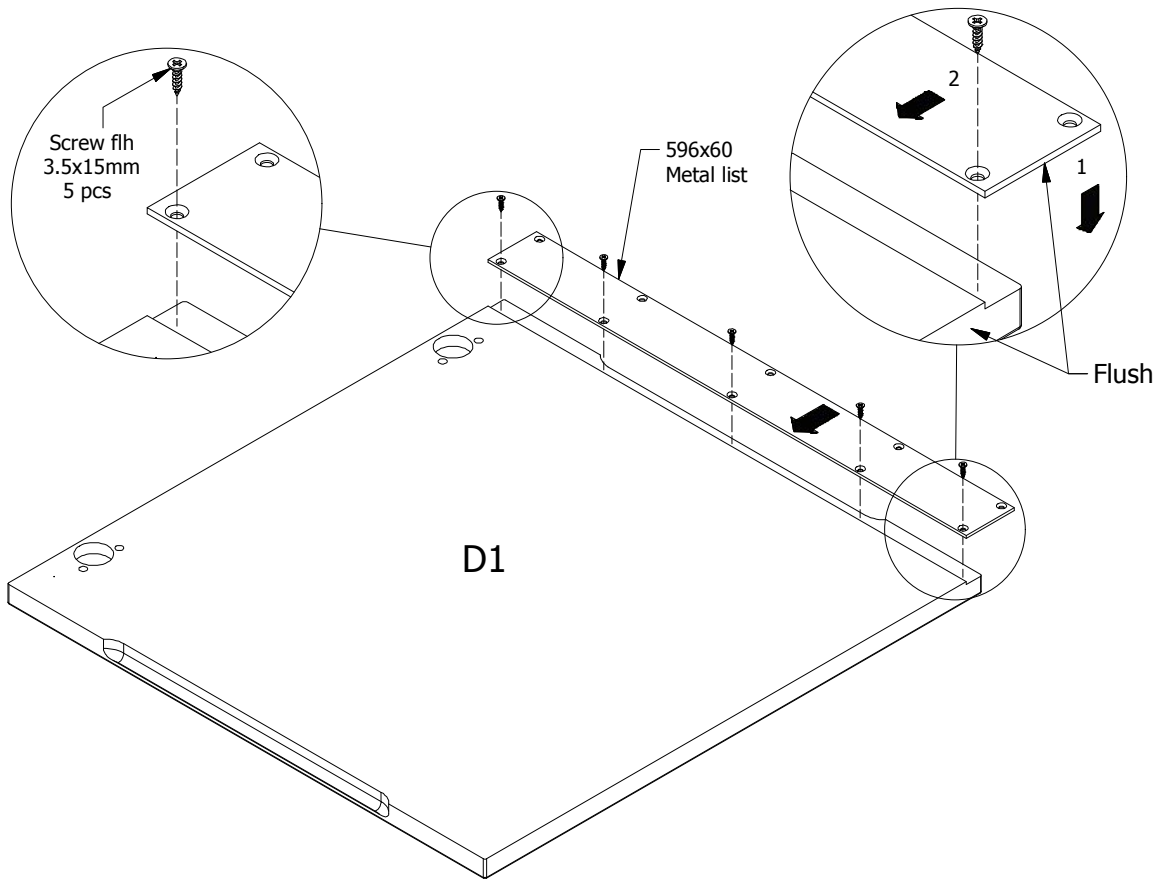


FIG. 10

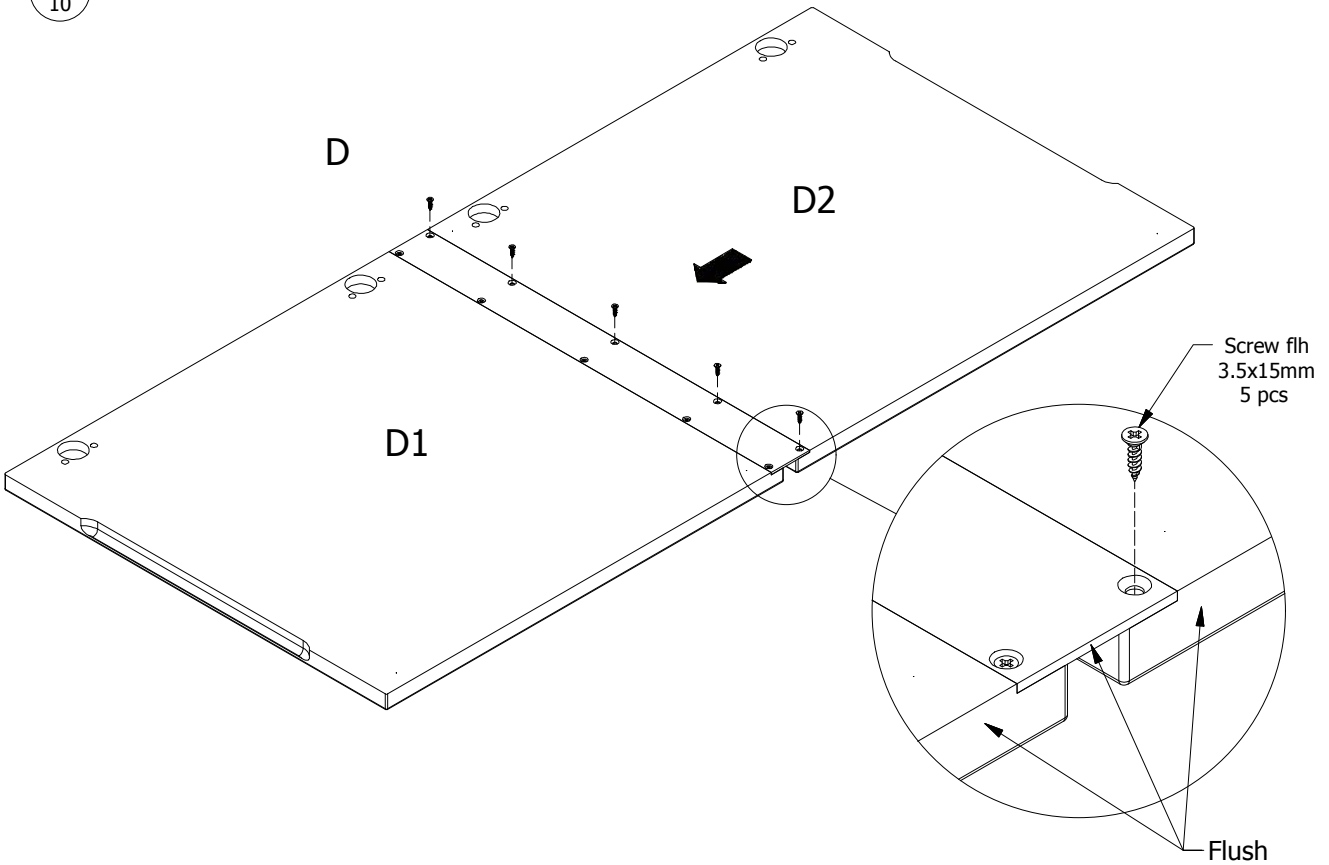


FIG. 11

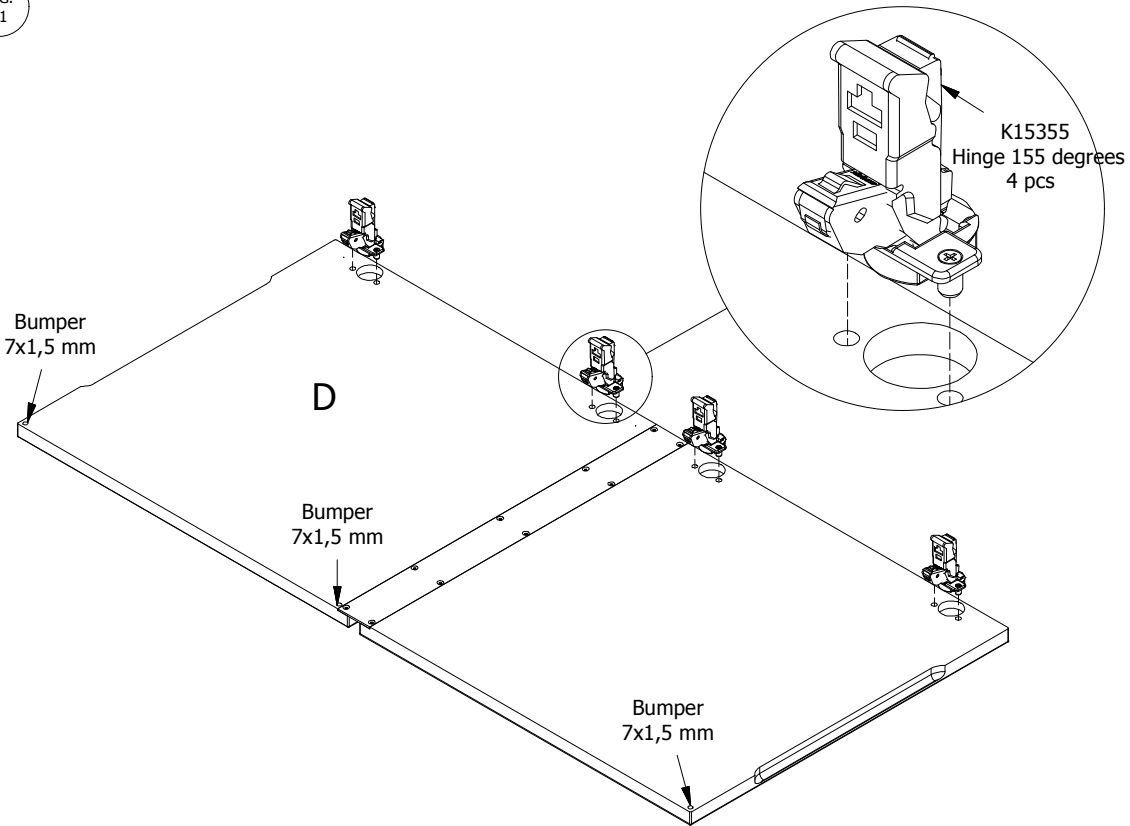


FIG. 12

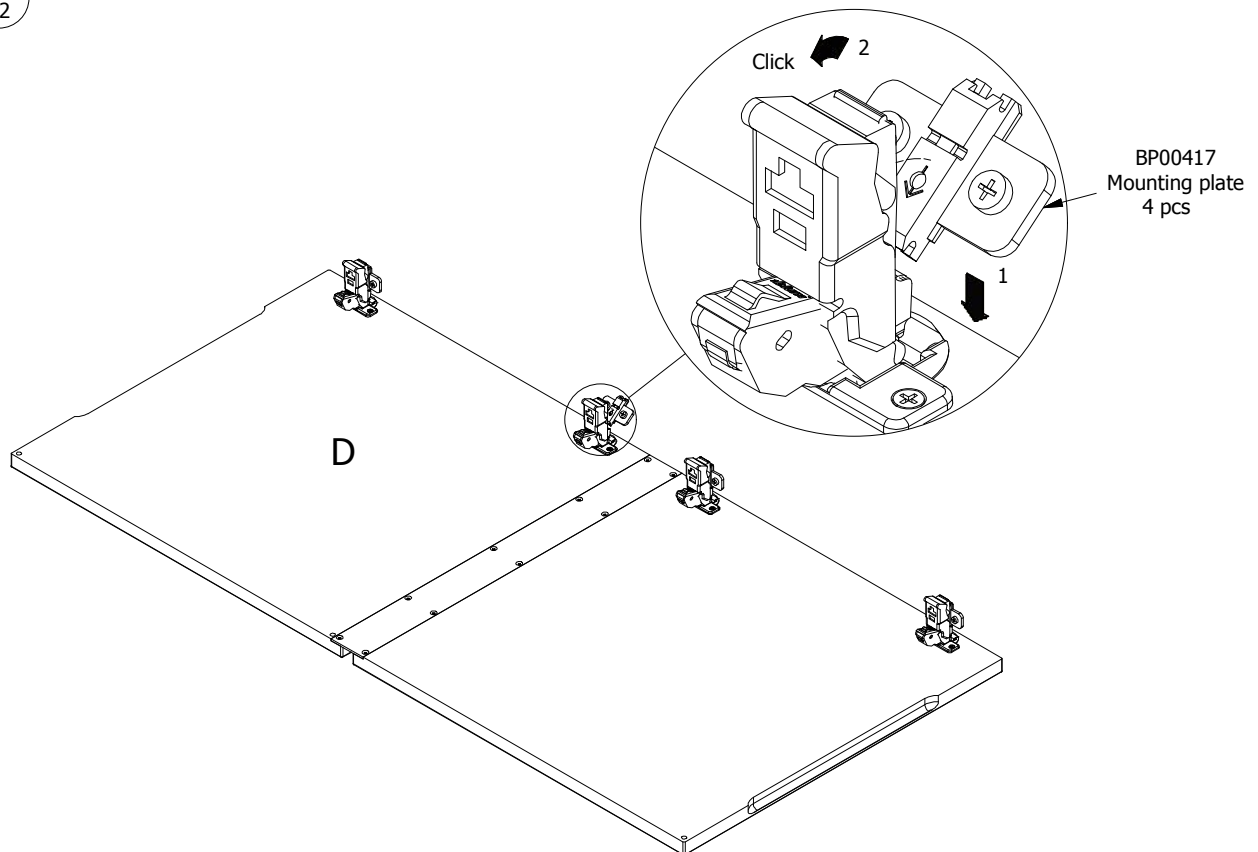


FIG. 13

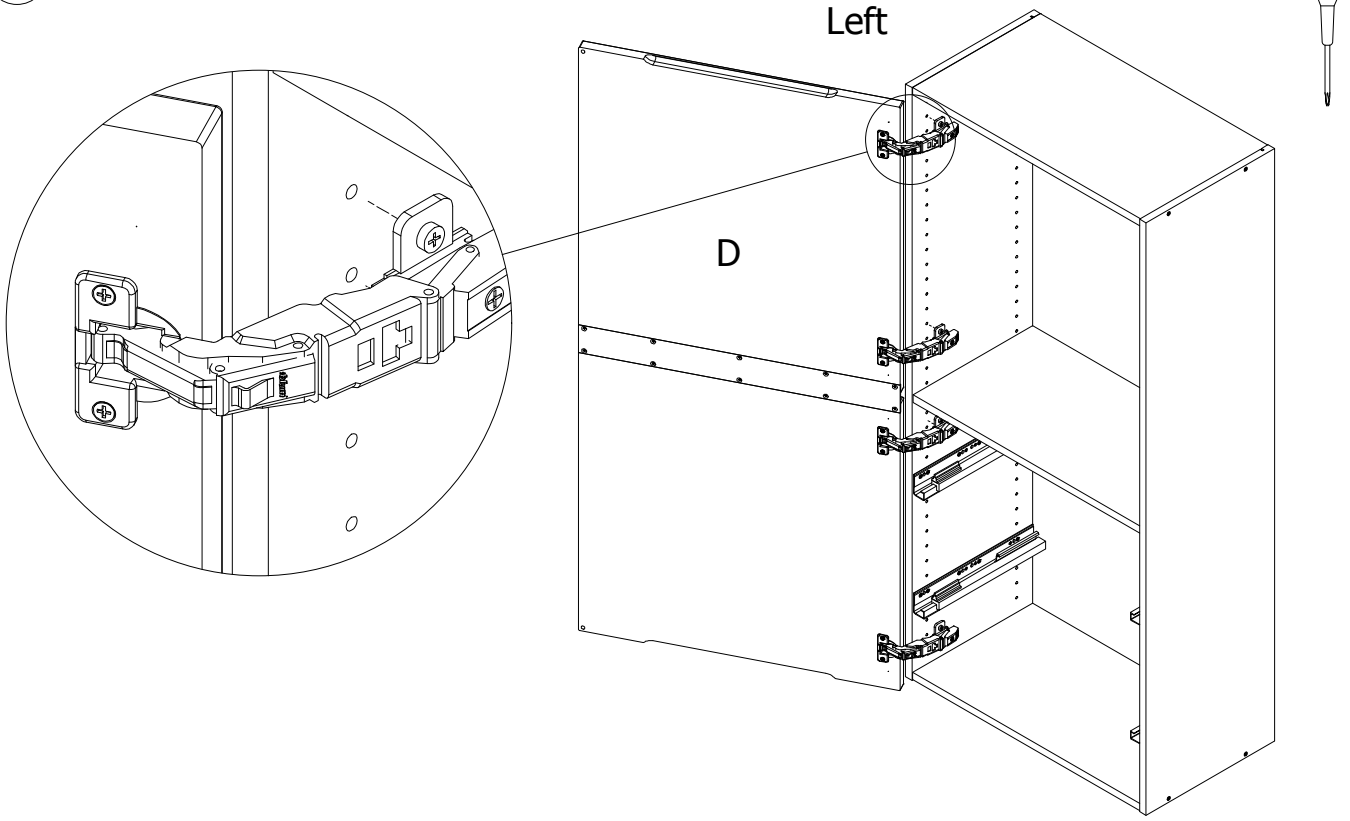
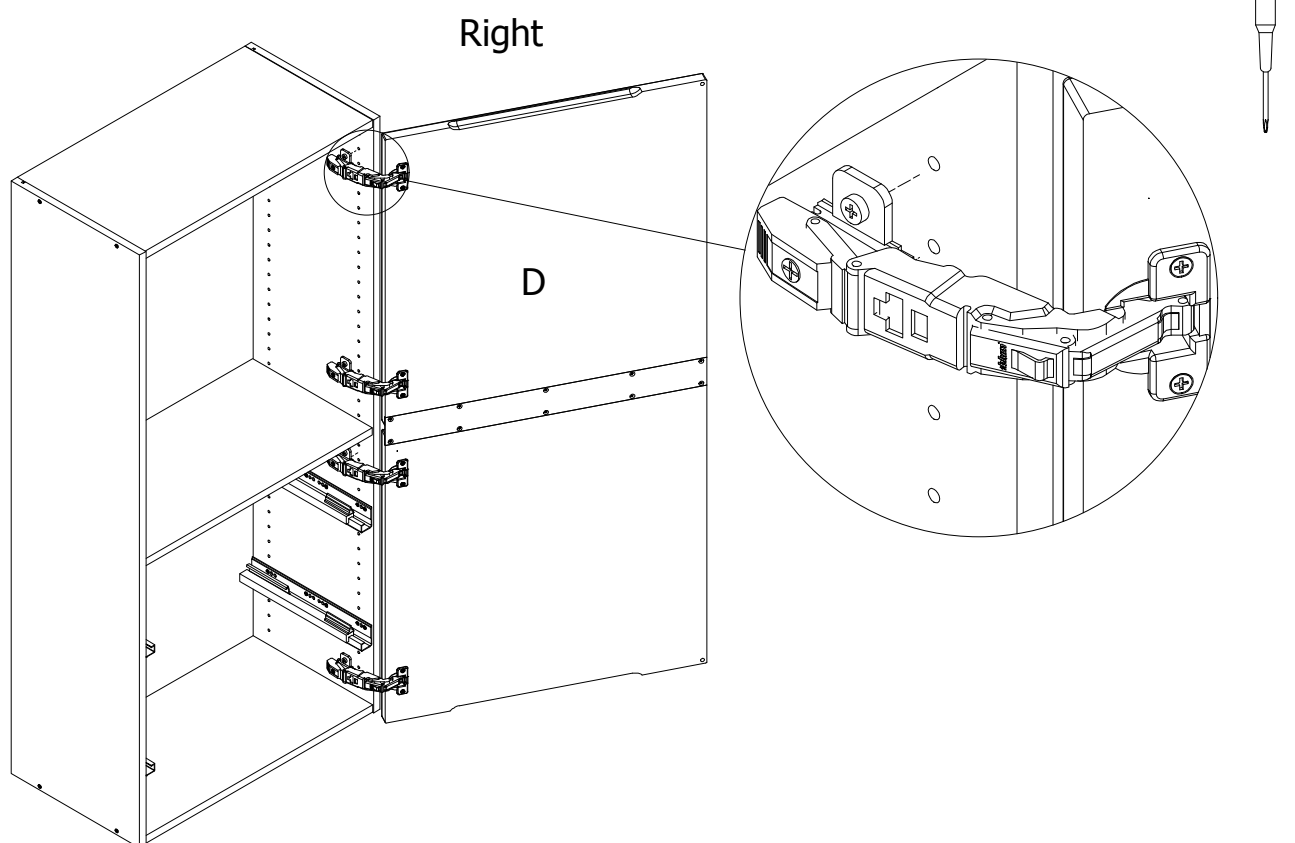


Fig 14



Adjustment

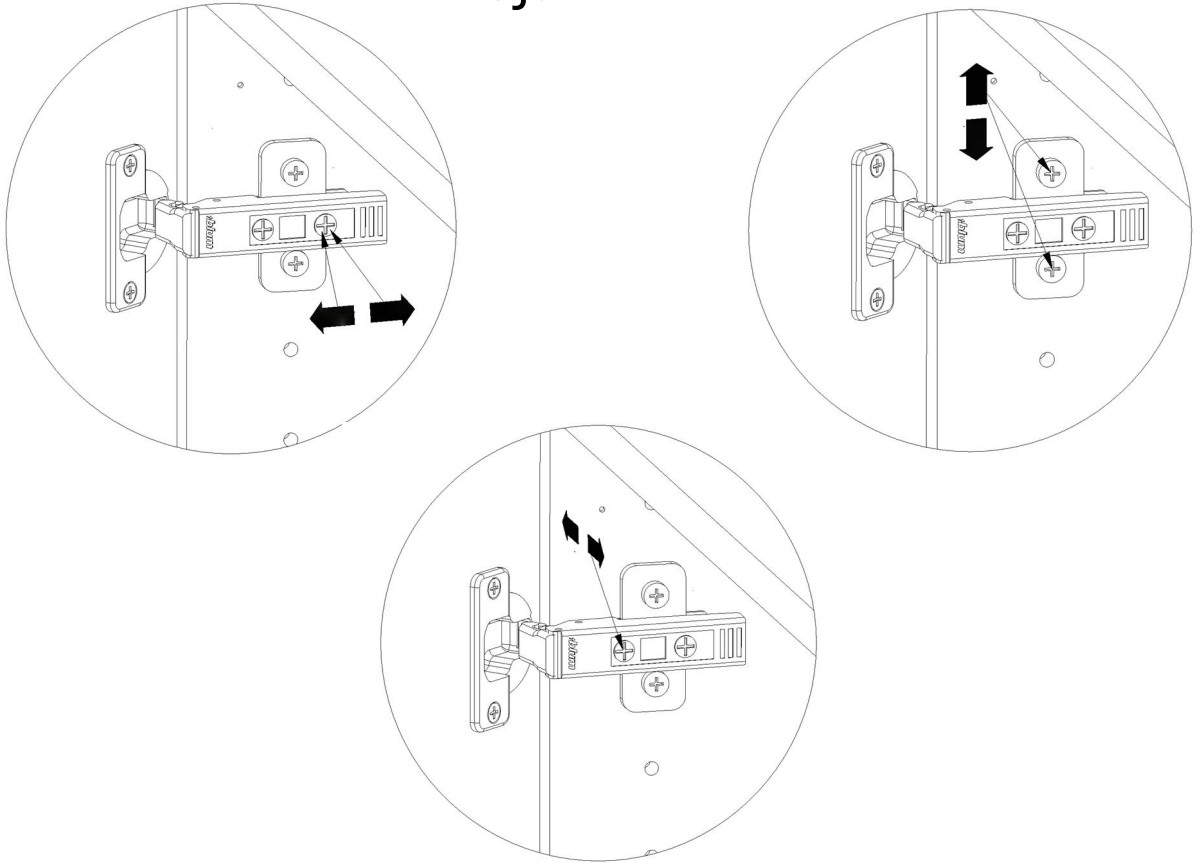


Fig 15

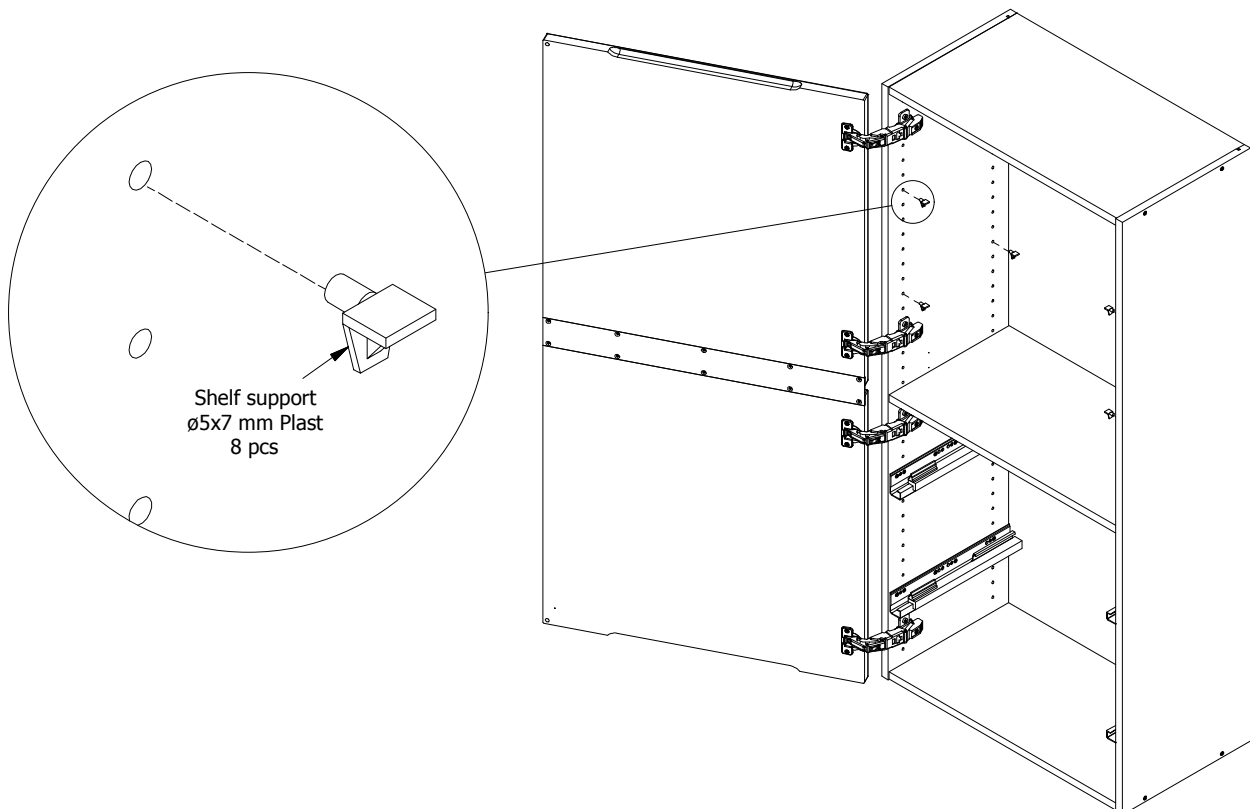


Fig 16

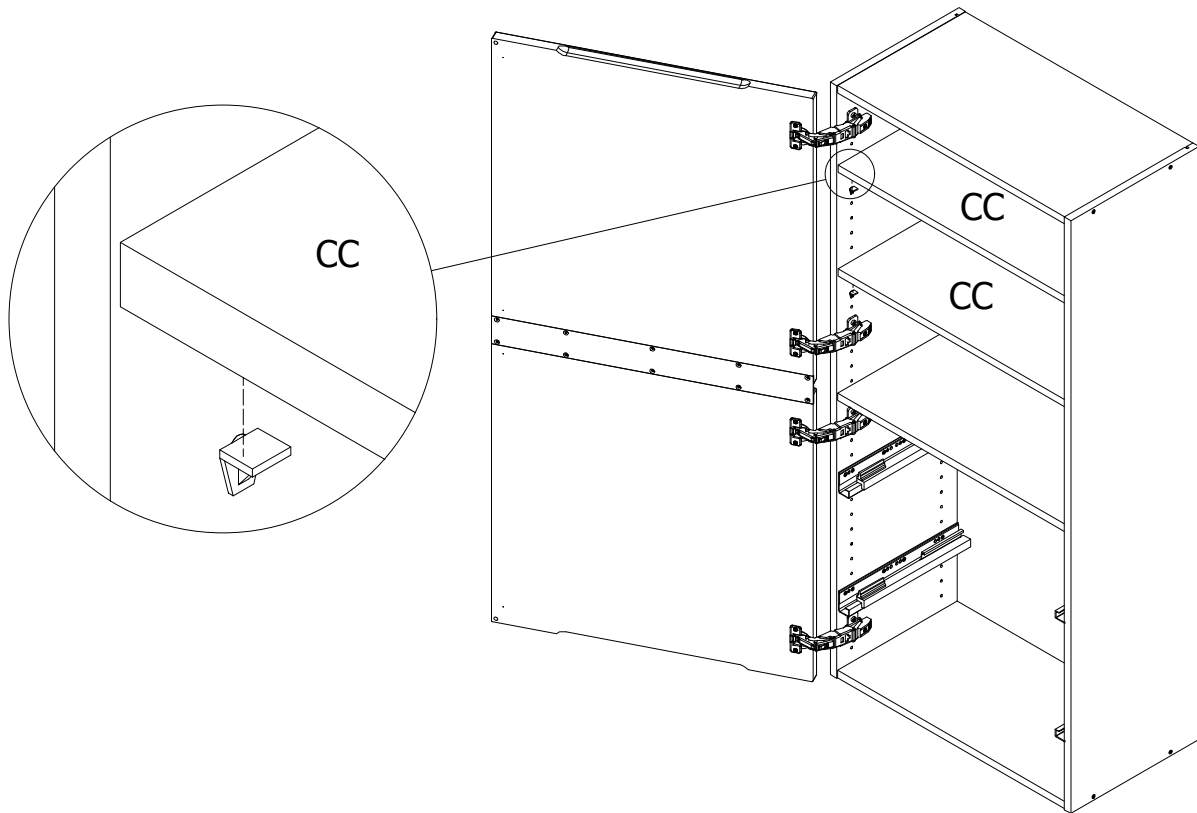


Fig 17

