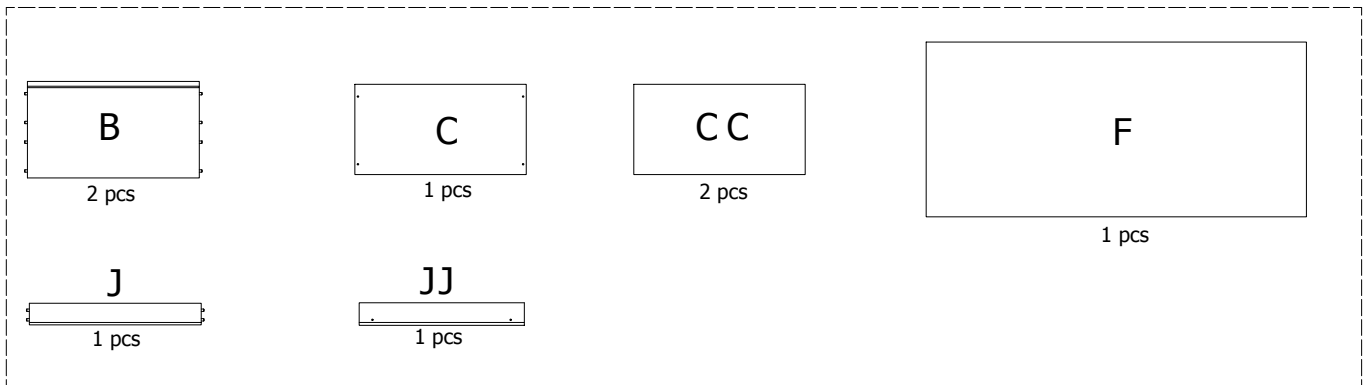


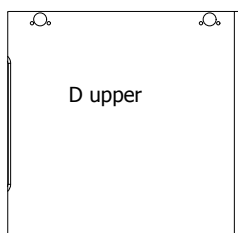
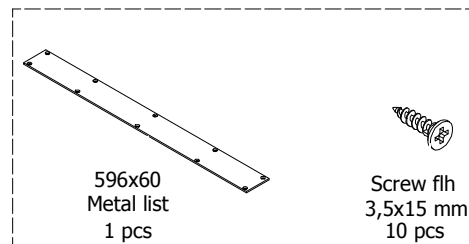
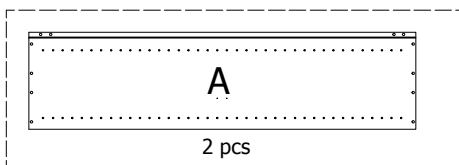
**kvik**

**MDSH2810,060-040**

**BH3260,\*\*\*,000**

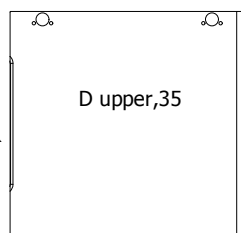


**HS12832,000**

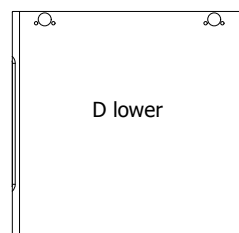


D upper

OR

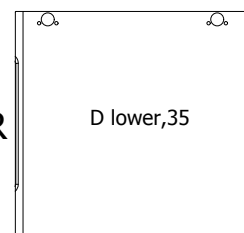


D upper,35

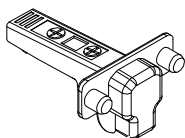


D lower

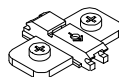
OR



D lower,35



Hinge  
107 degrees  
4 pcs



Mounting  
plate  
4 pcs



Glue  
15 gr  
1 pcs

**BP00250-BP00270**

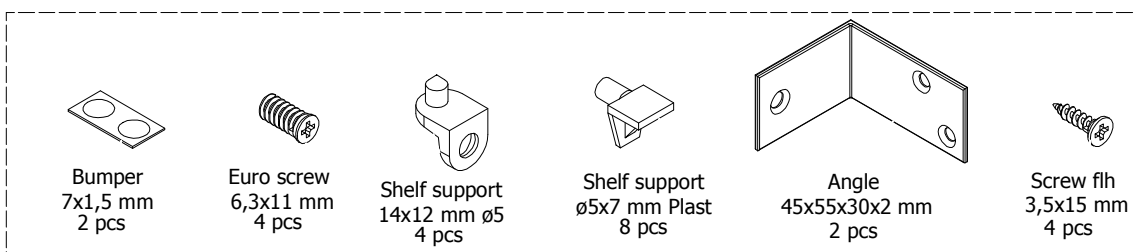


FIG. 1

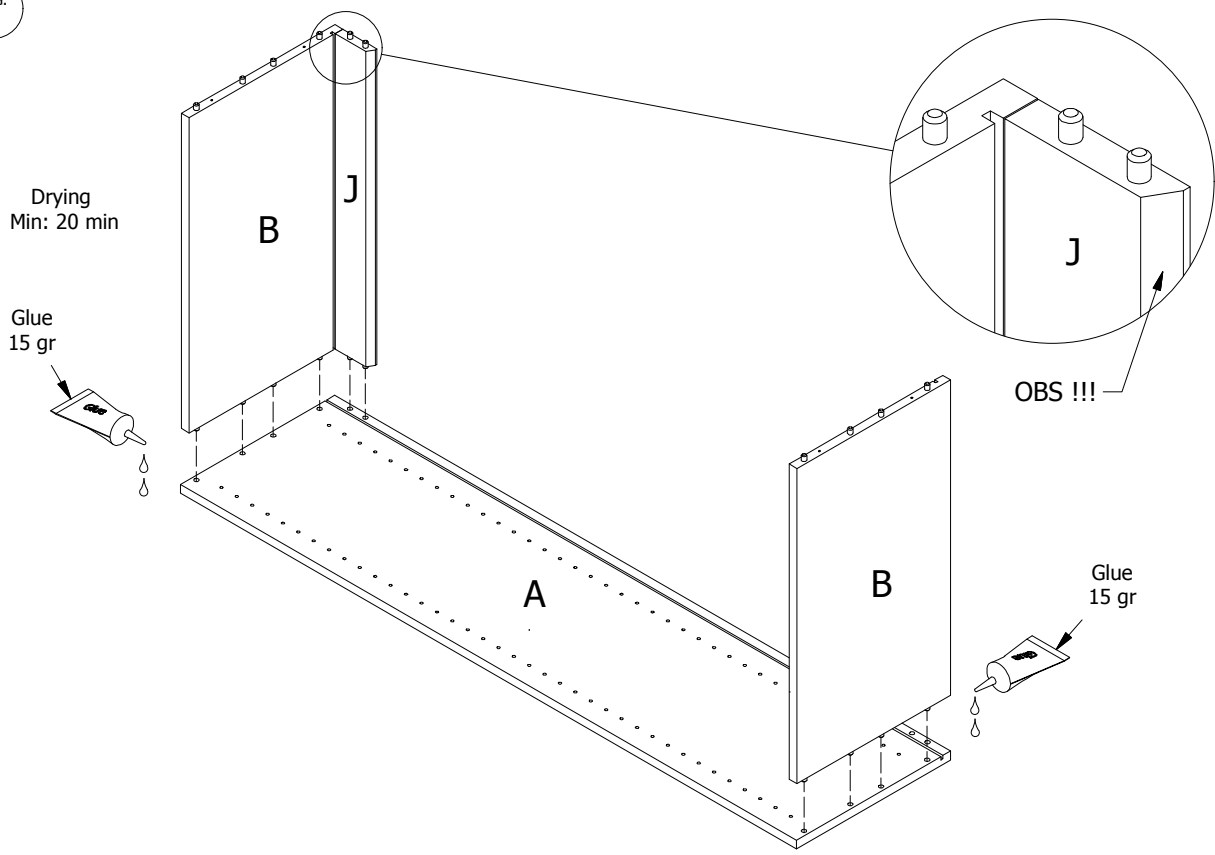


FIG. 2

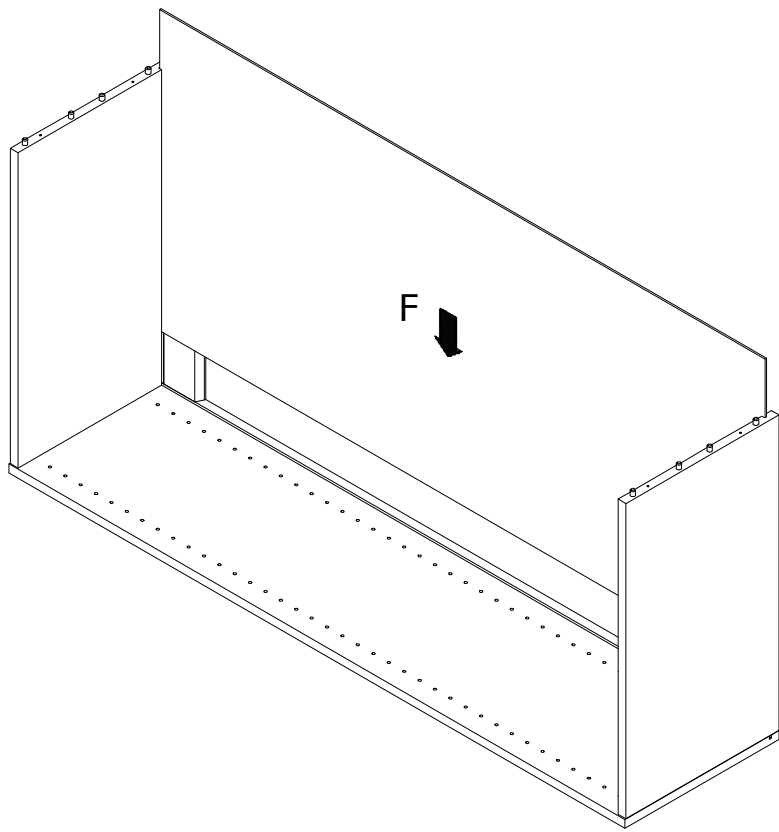


FIG. 3

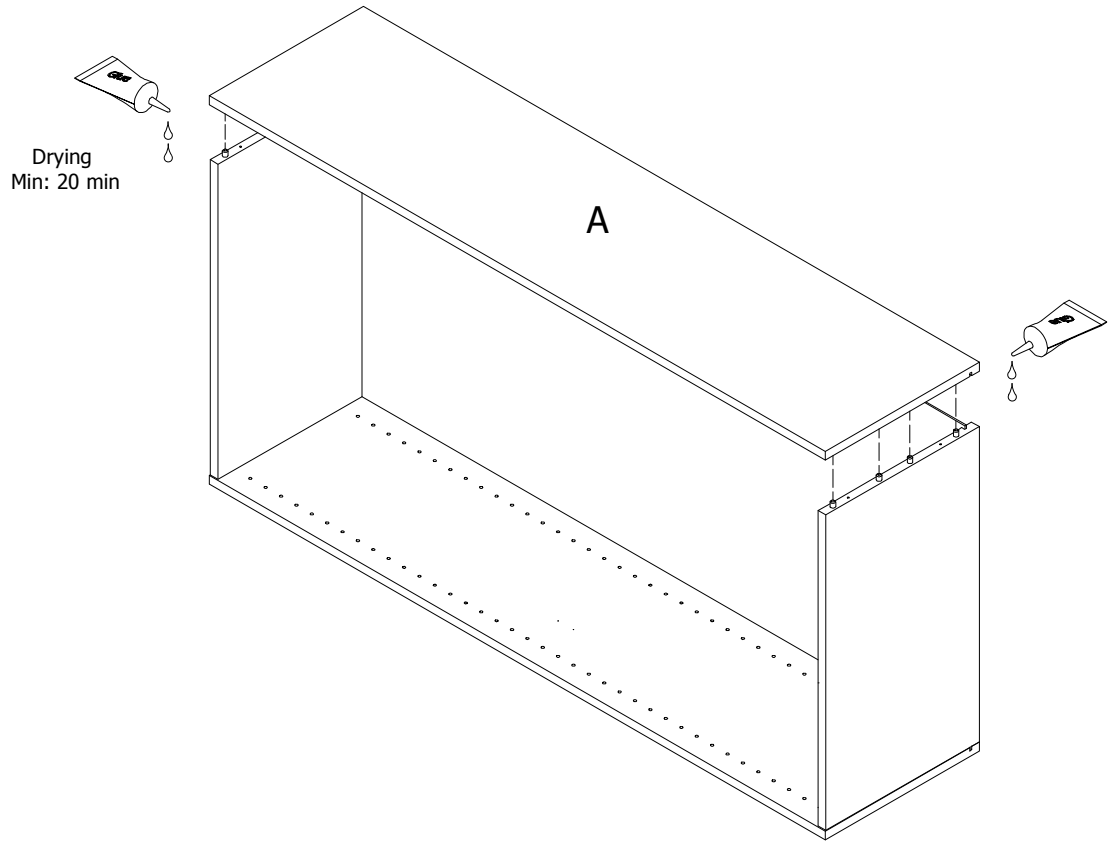


FIG. 4

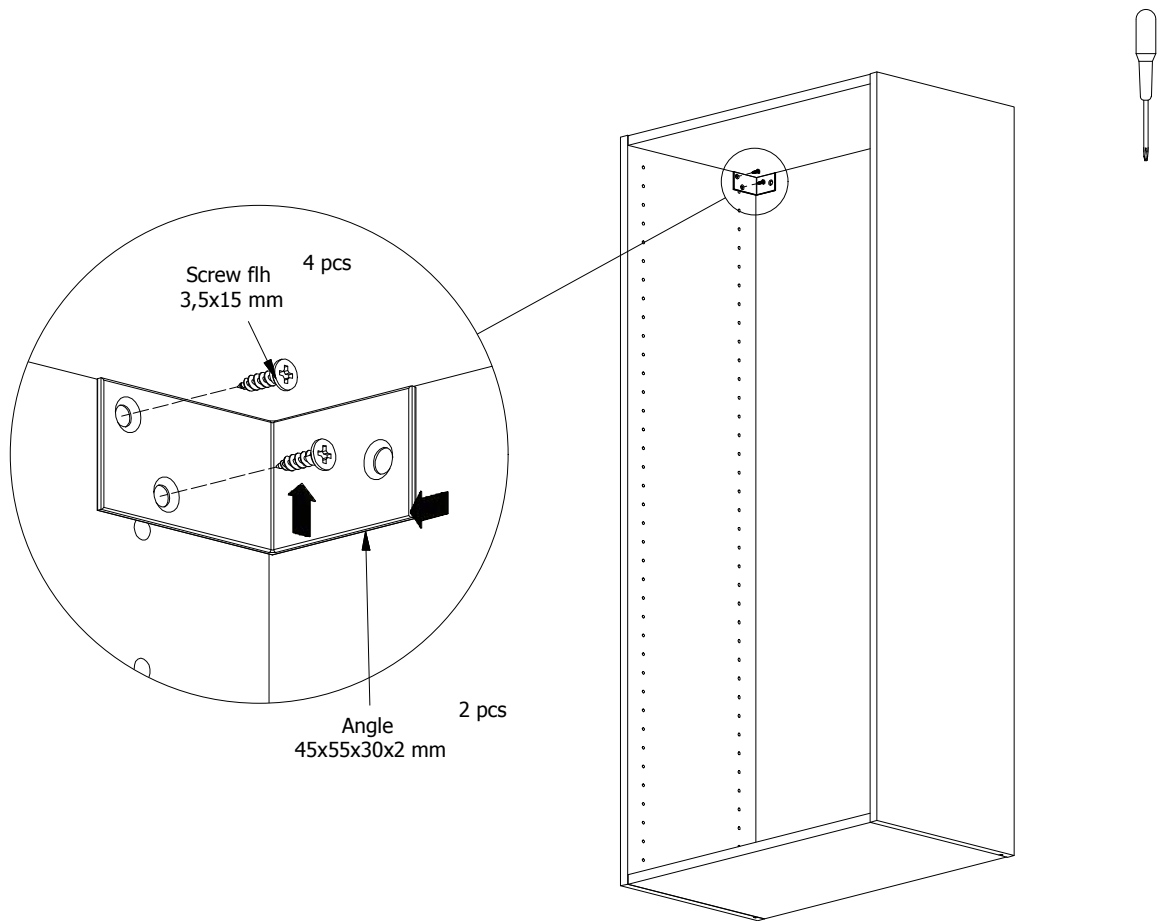


FIG. 5

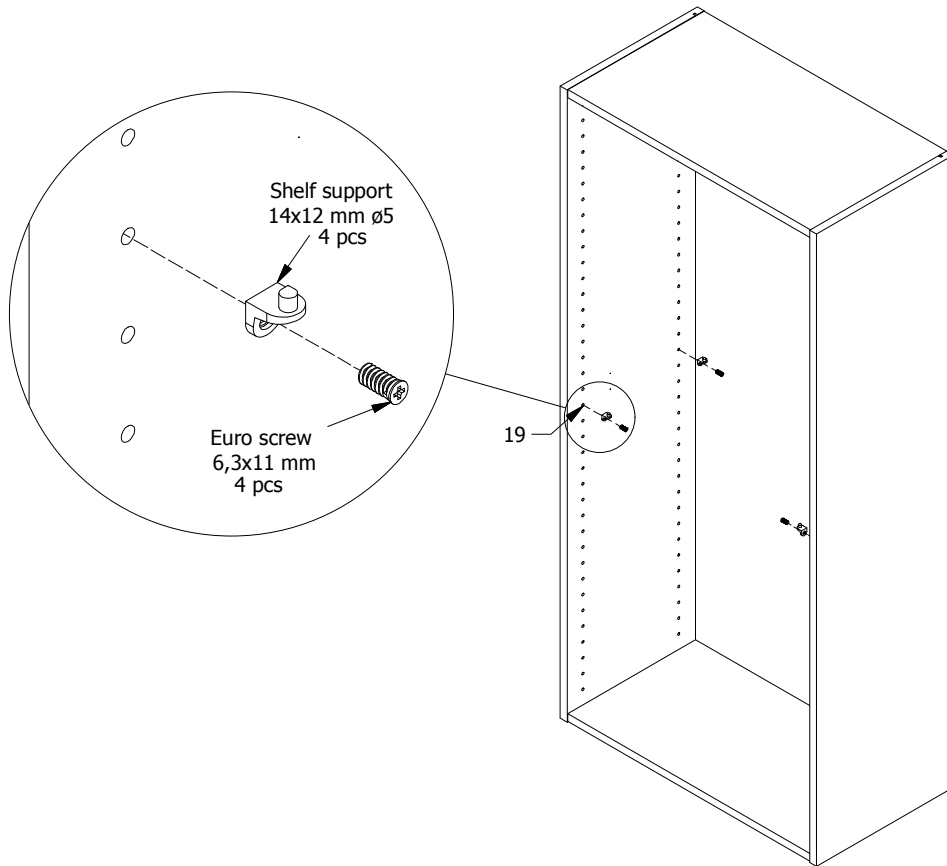


FIG. 6

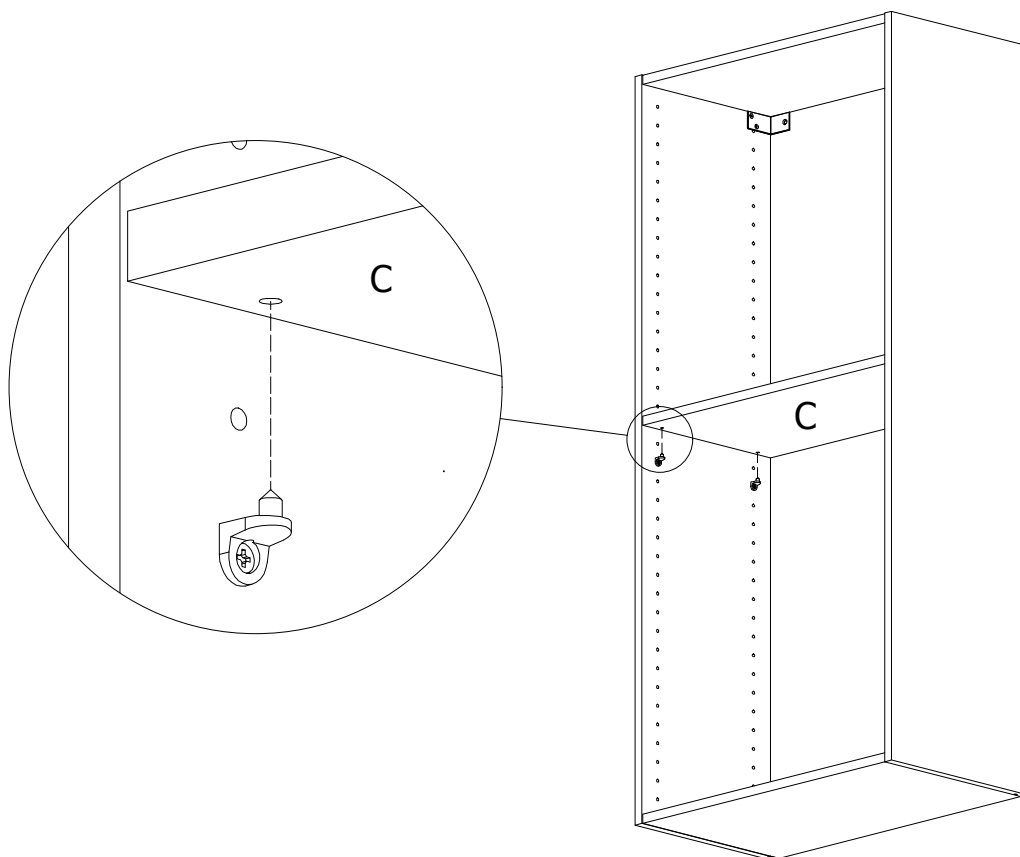


FIG. 7

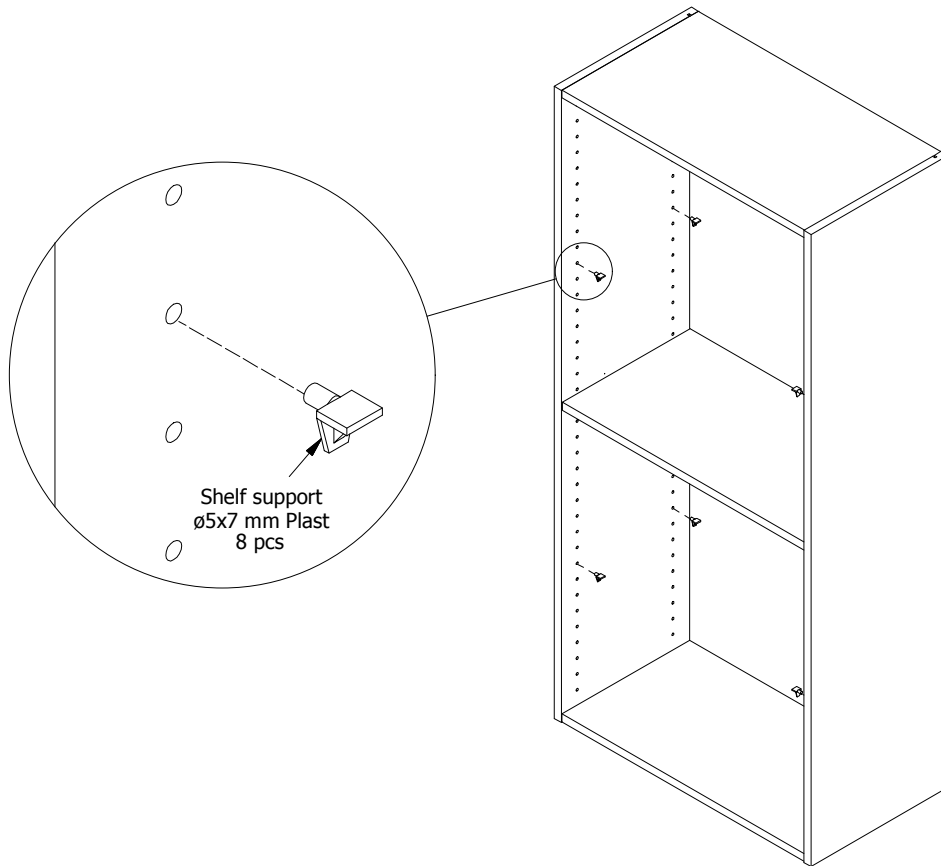


FIG. 8

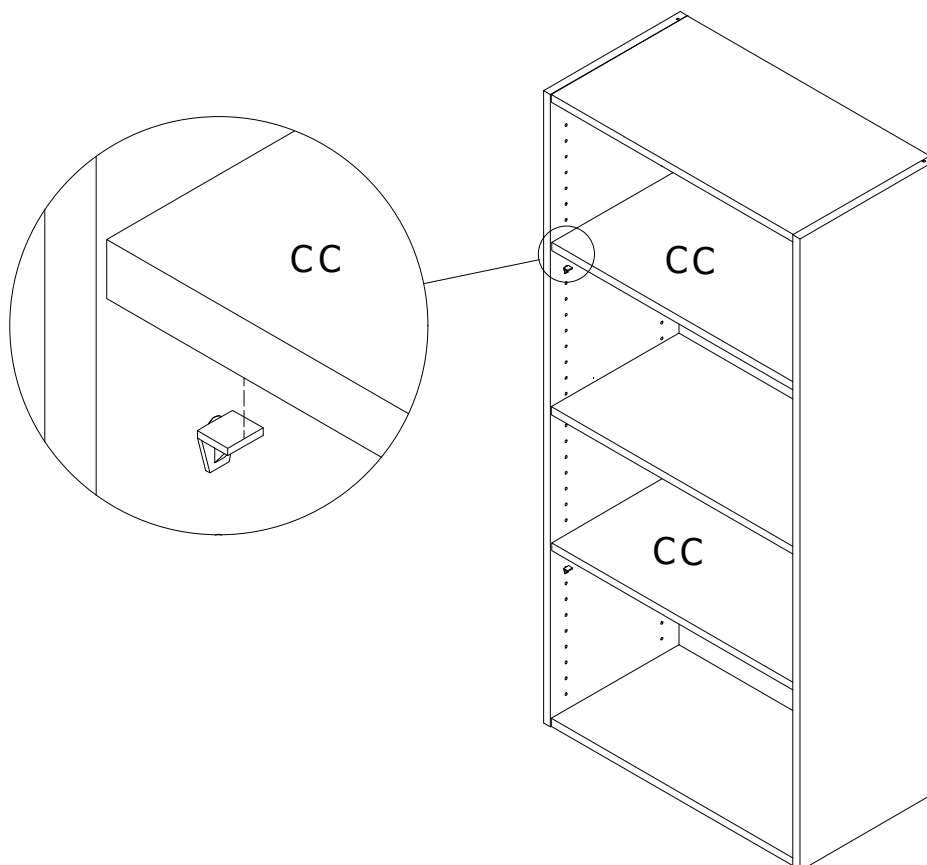


FIG. 9

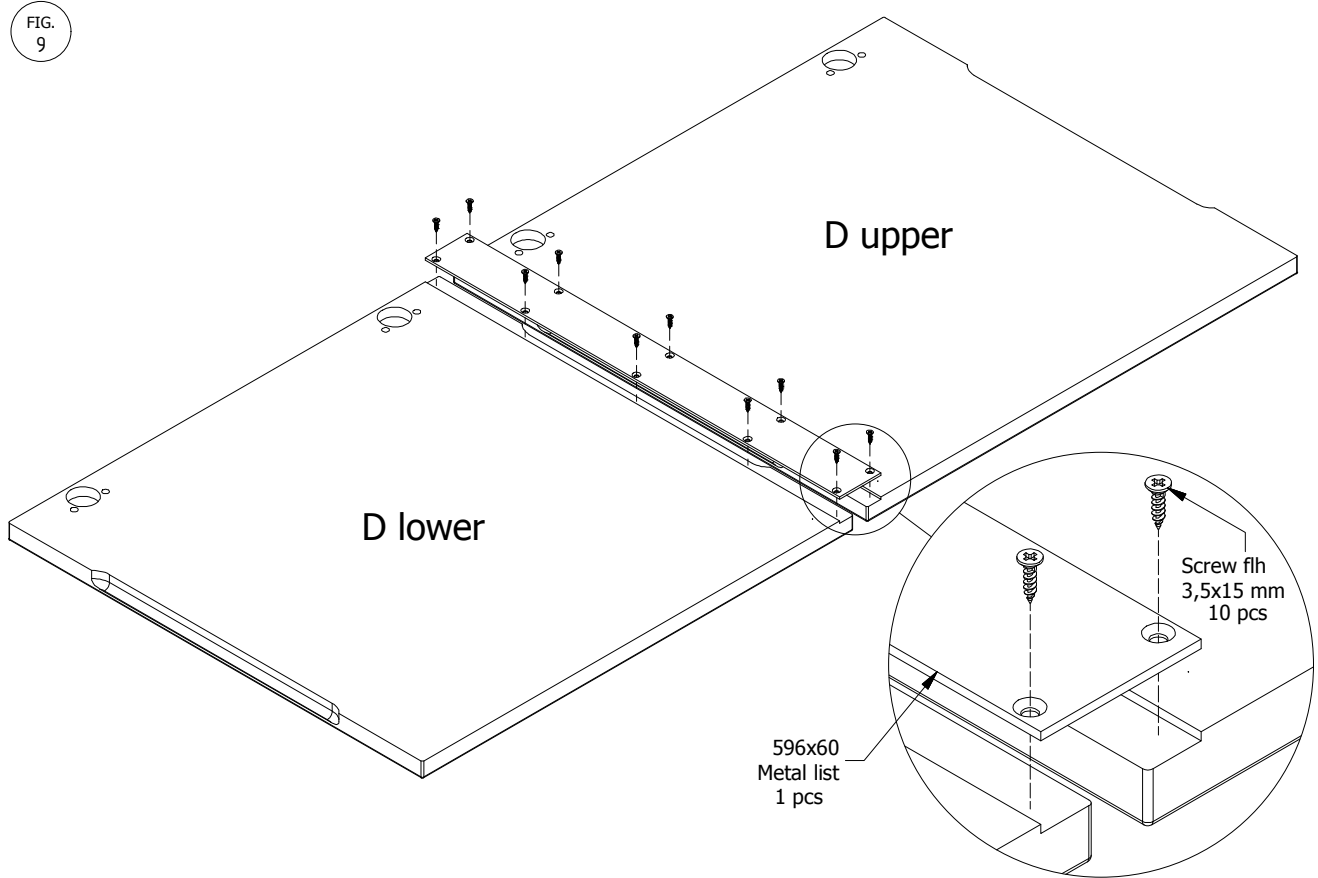


FIG. 10

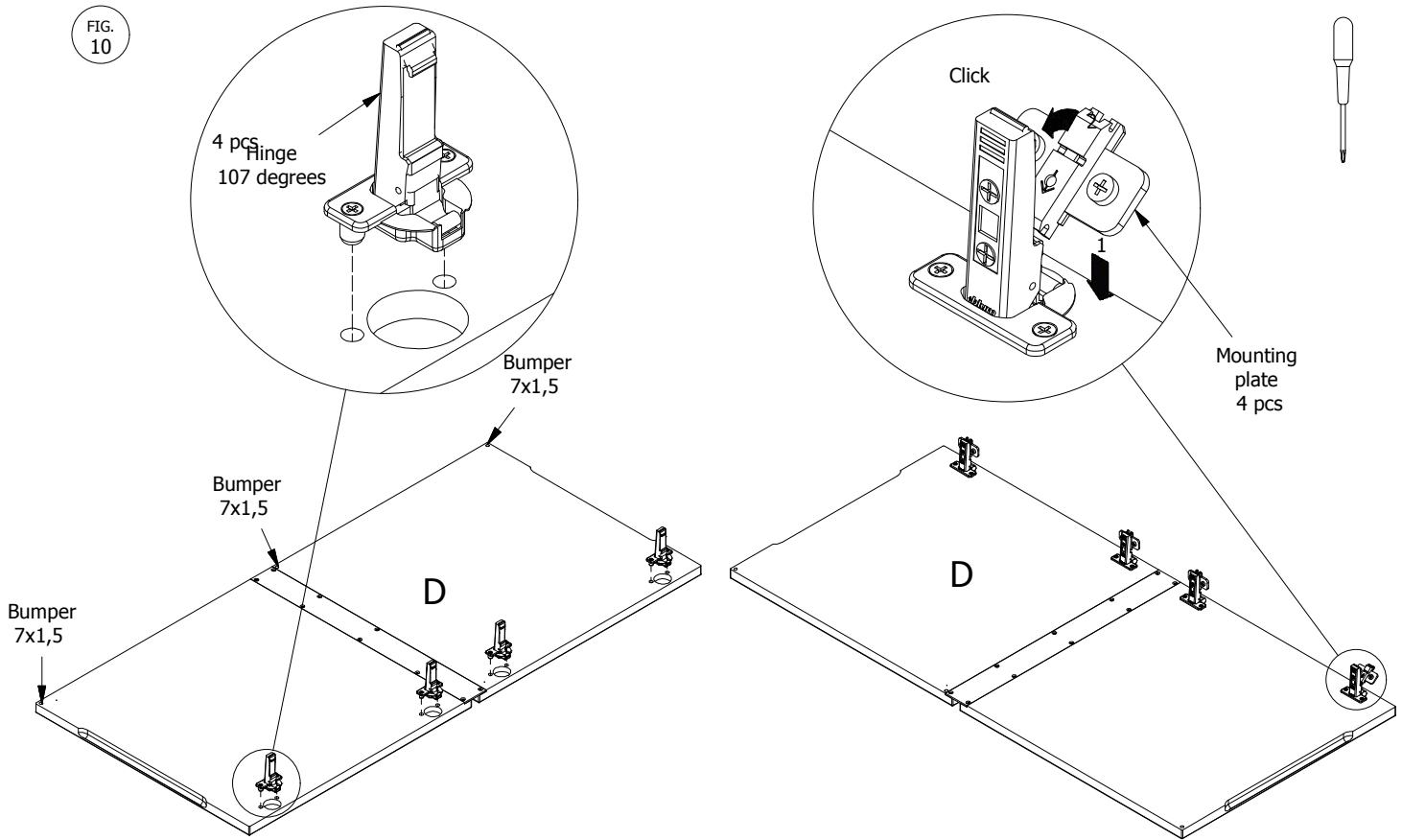


FIG. 11

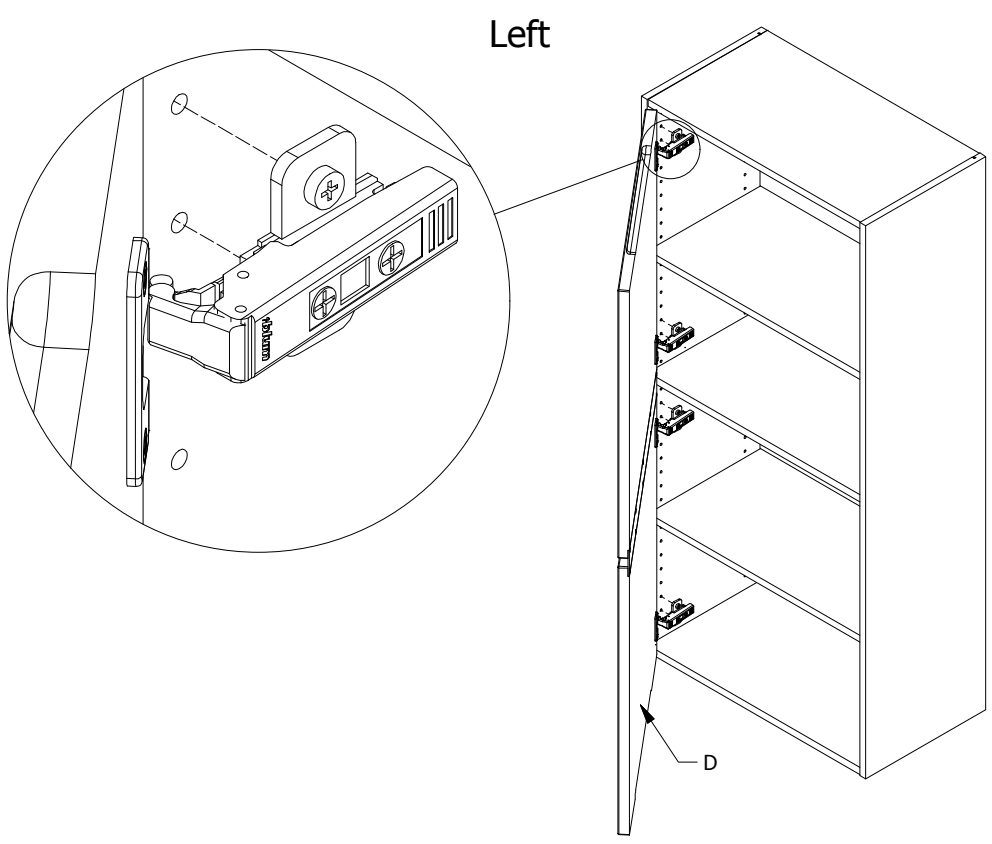
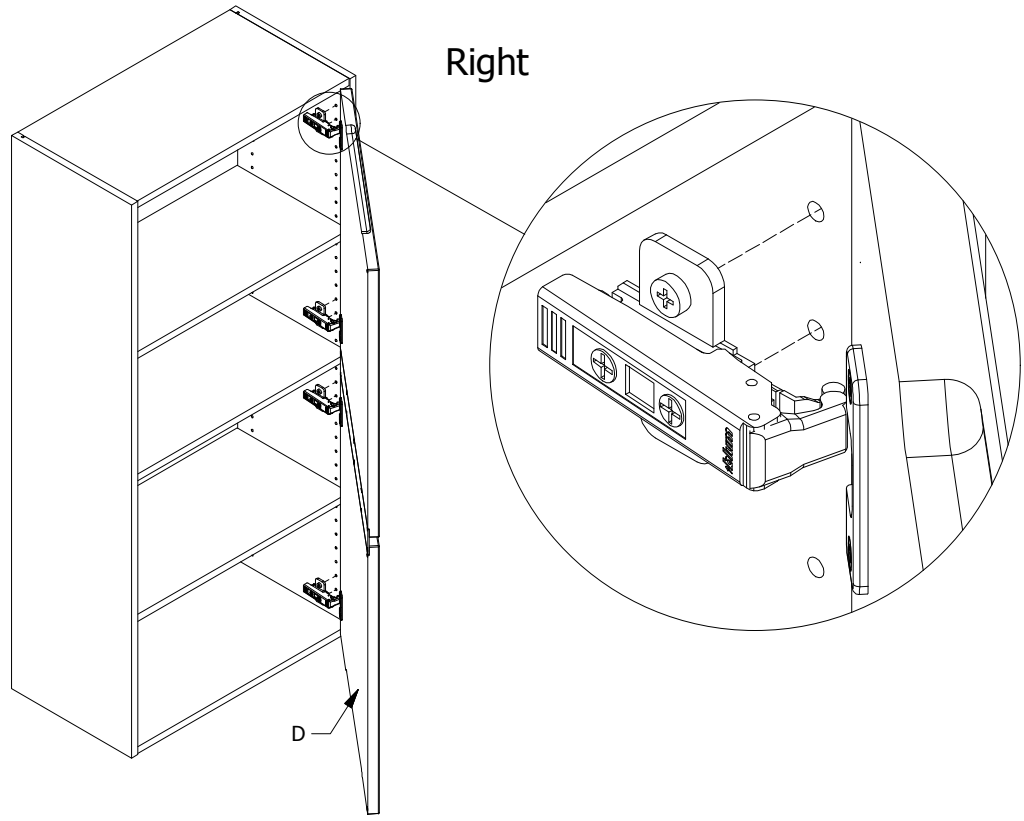


FIG. 12



---

## Adjustment

