

kvik

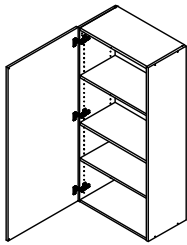


Check out easy
mounting of you bath

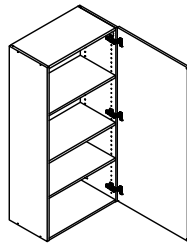
DSH2810

Front without integrated handle

Left



Right

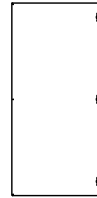


L12843



40 cm

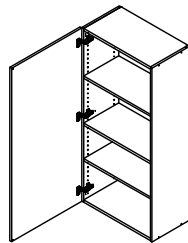
L12863



60 cm

Front with integrated handle

Left

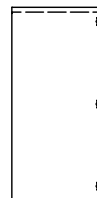


L12846



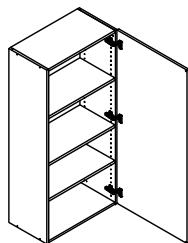
40 cm

L12866



60 cm

Right

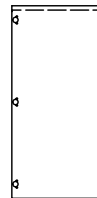


L12845

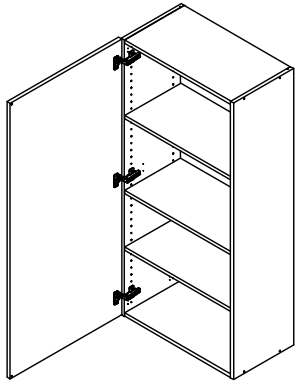


40 cm

L12865



60 cm



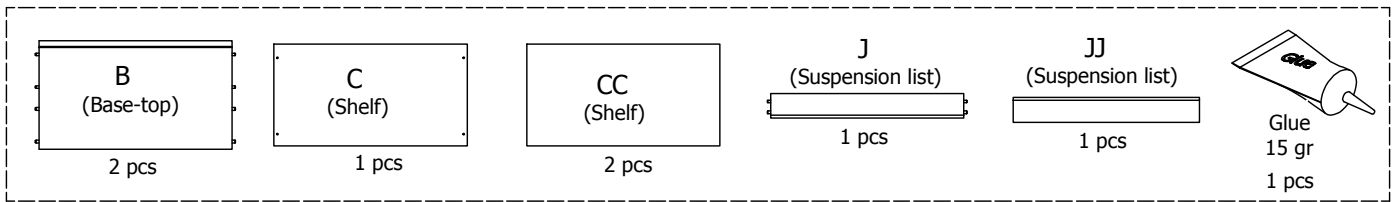
kvik



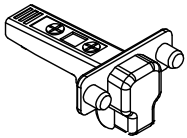
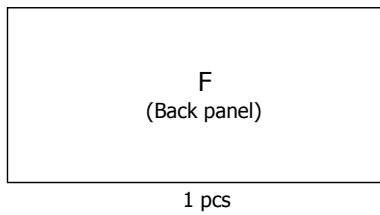
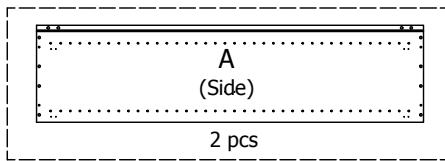
Check out easy
mounting of you bath

DSH2810

BH32*2,000 / 176



HS12832,000 / KVIK



BP00418
Hinge 107 degrees
3 pcs



BP00417
Mounting plate
3 pcs

BP00250-BP00270

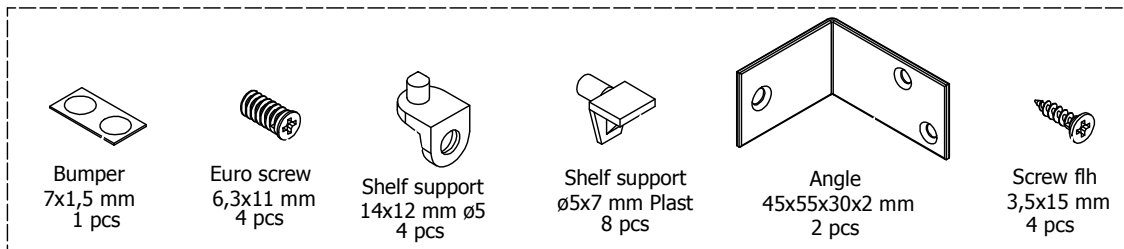


FIG. 1

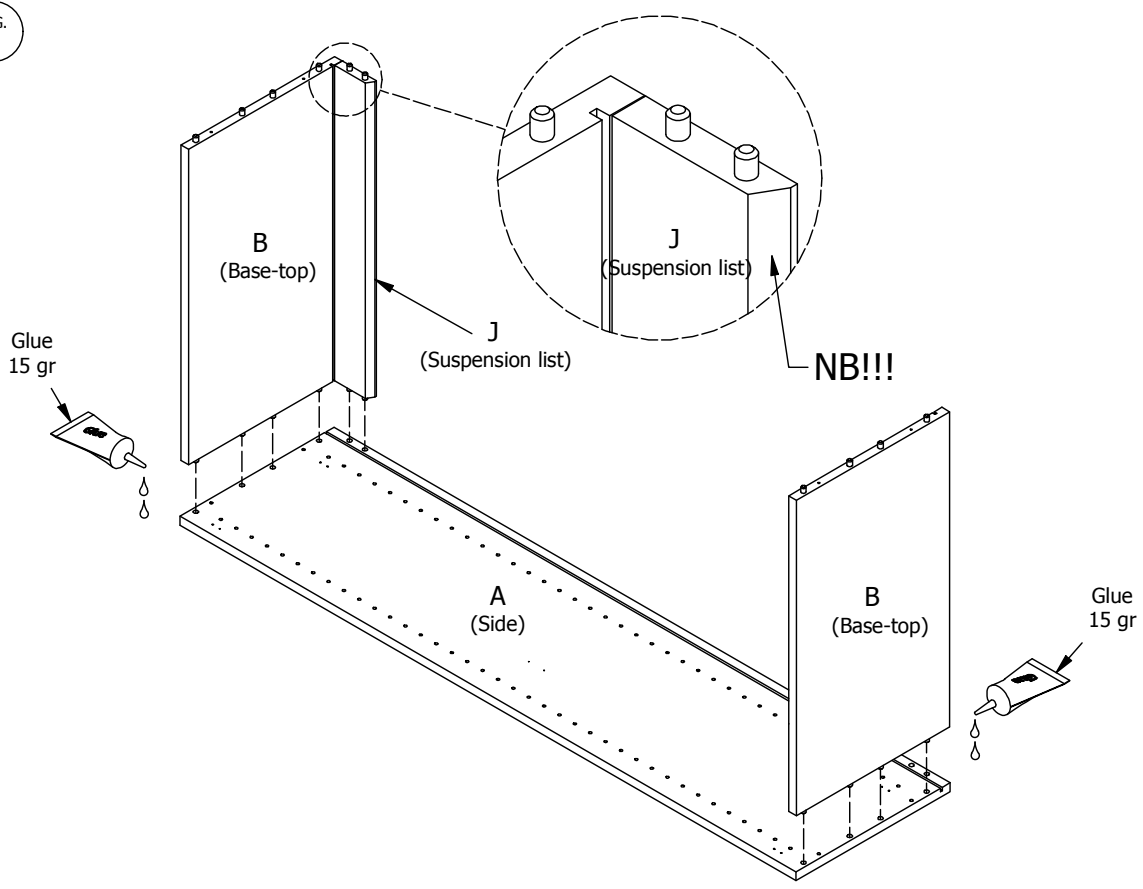


FIG. 2

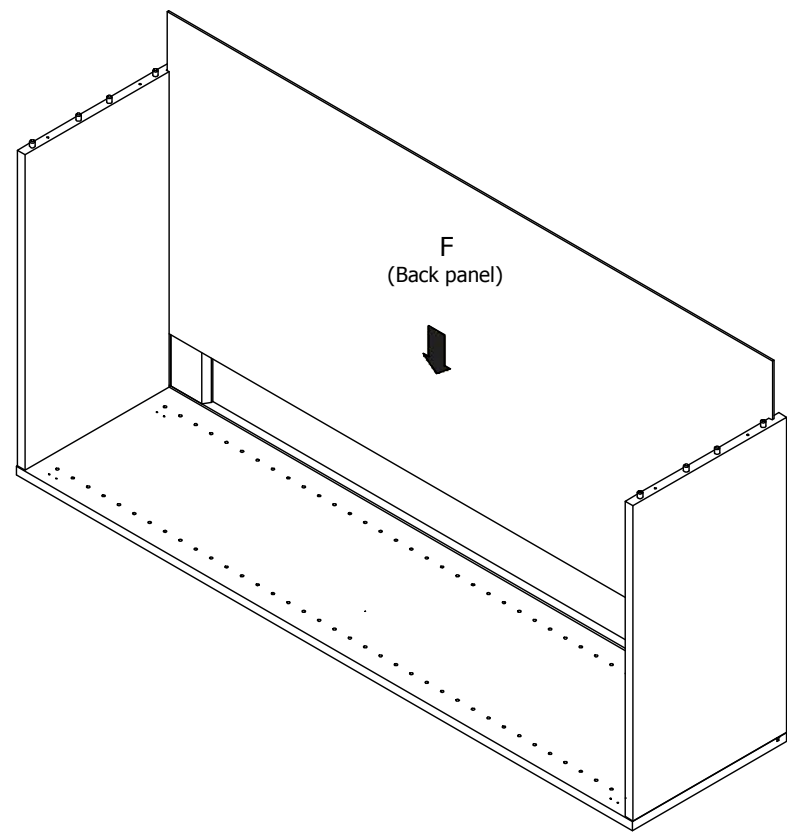


FIG. 3

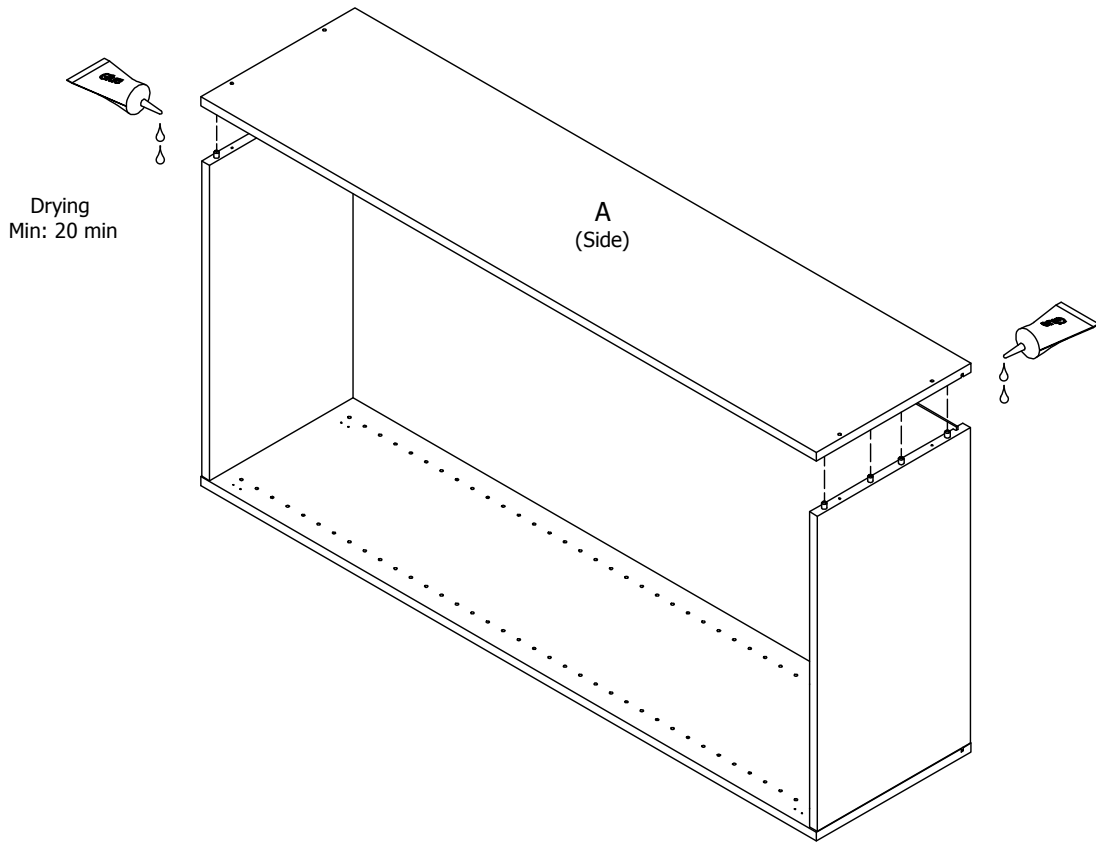


FIG. 4

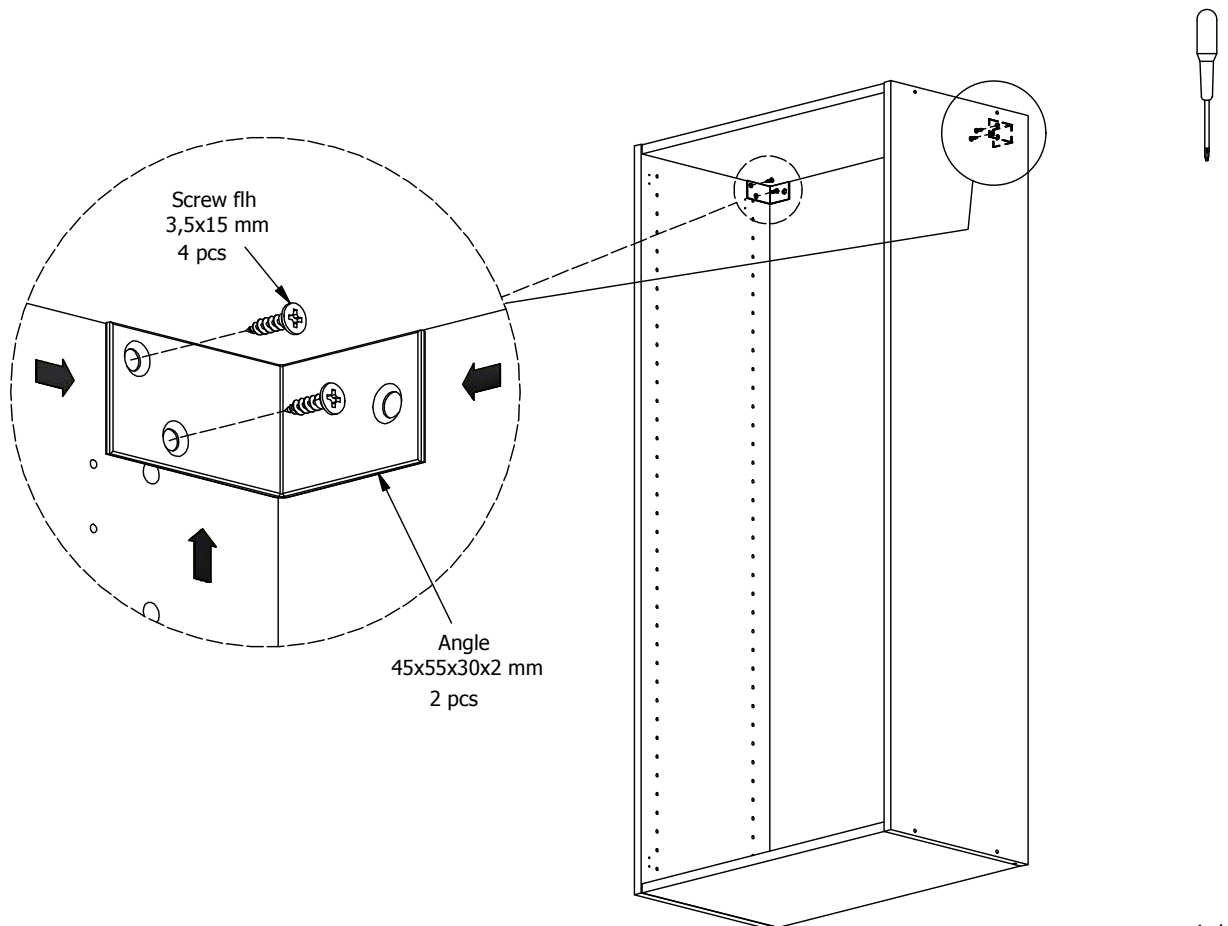


FIG. 5

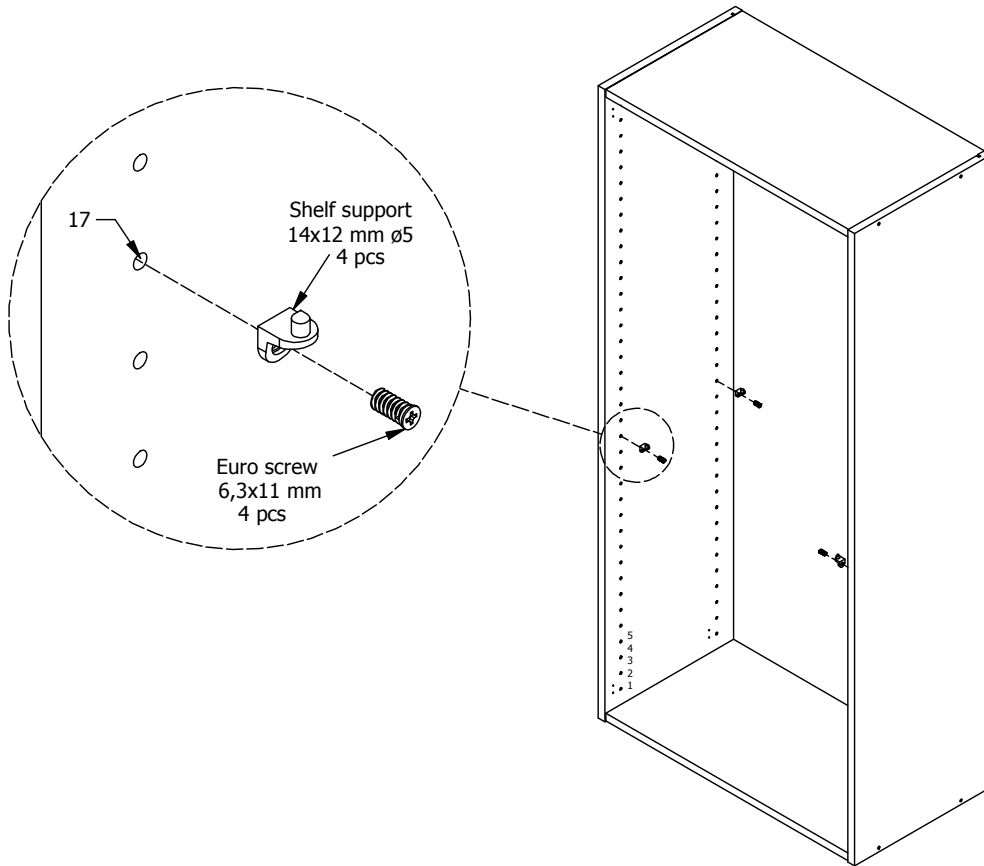


FIG. 6

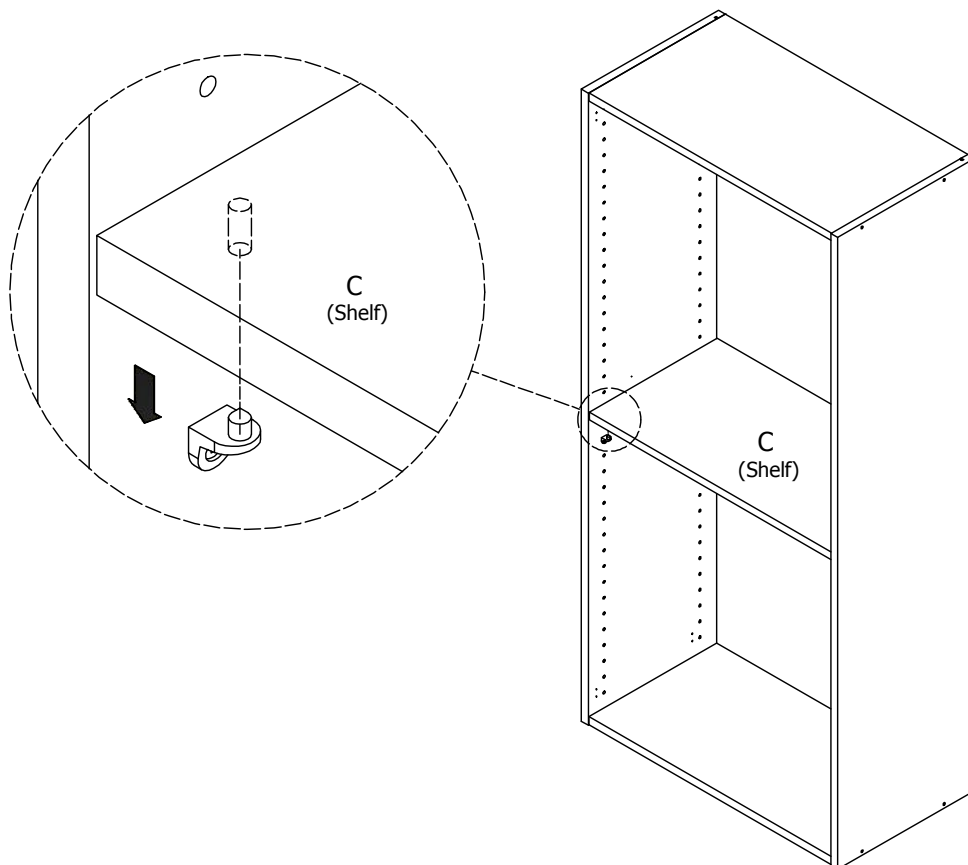


FIG.
7

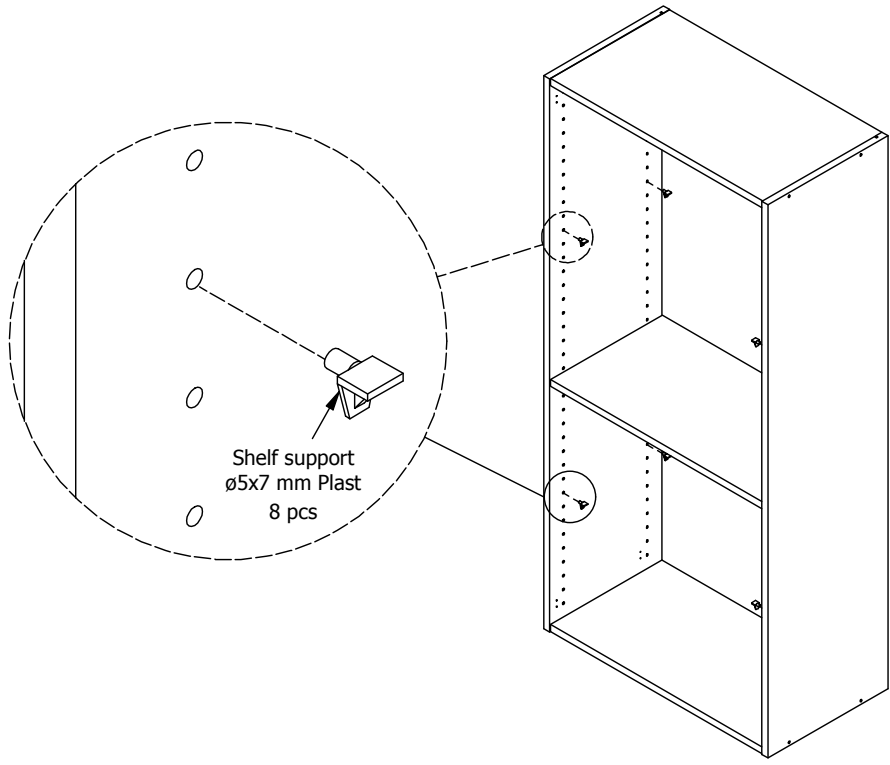


FIG.
8

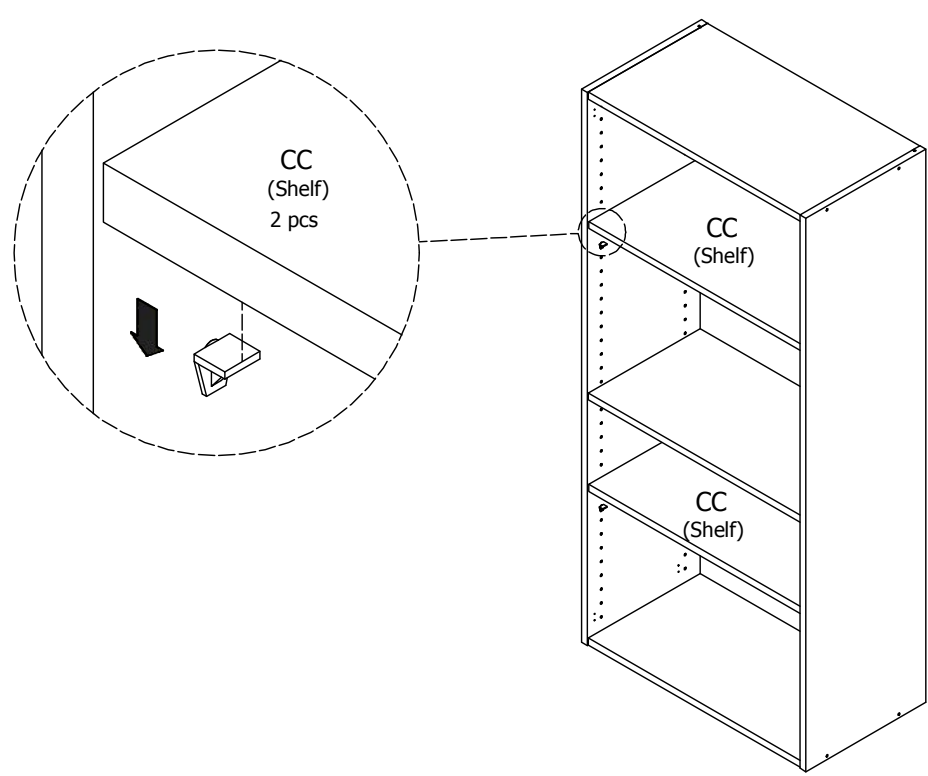


FIG. 9

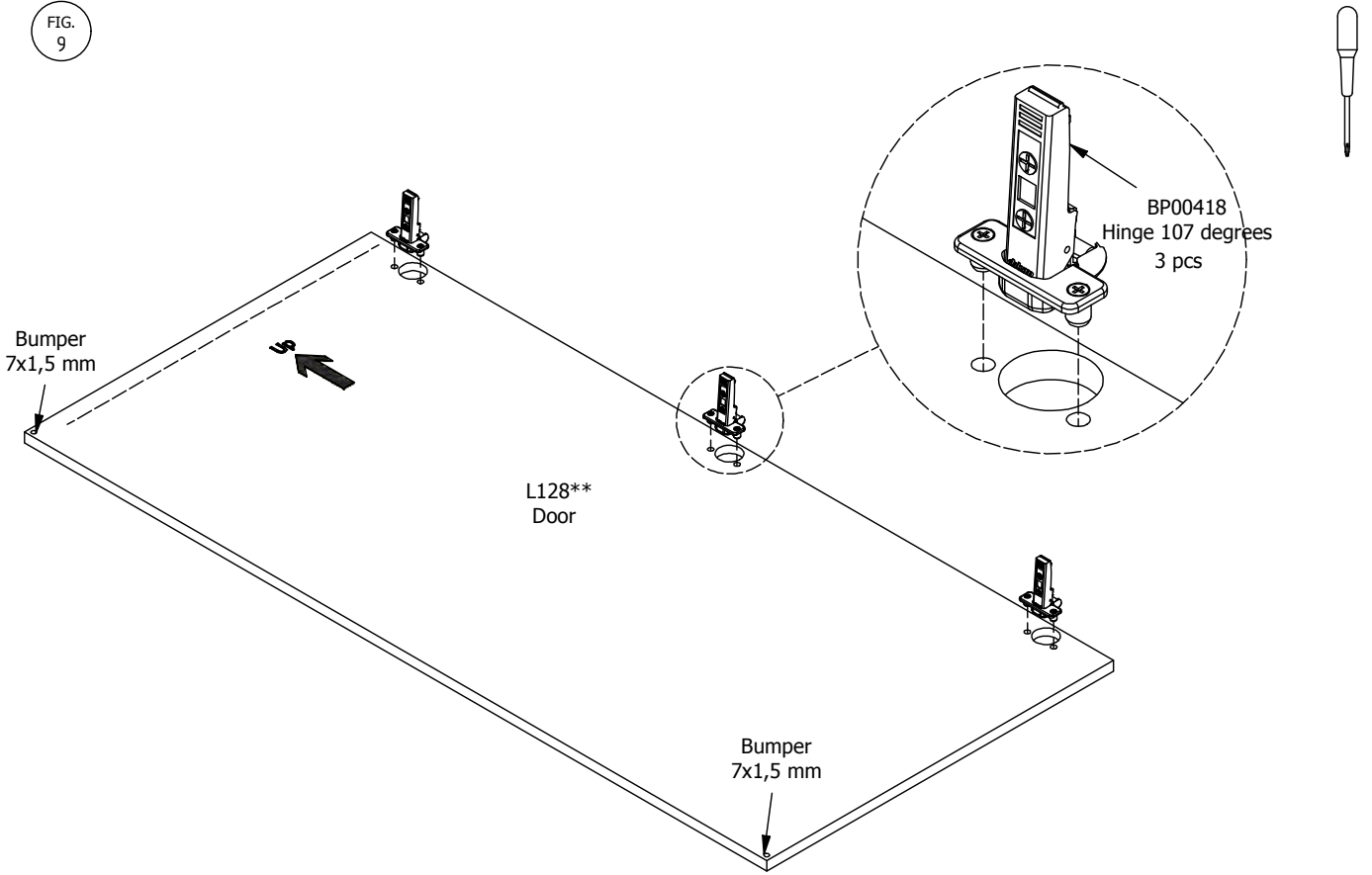


FIG. 10

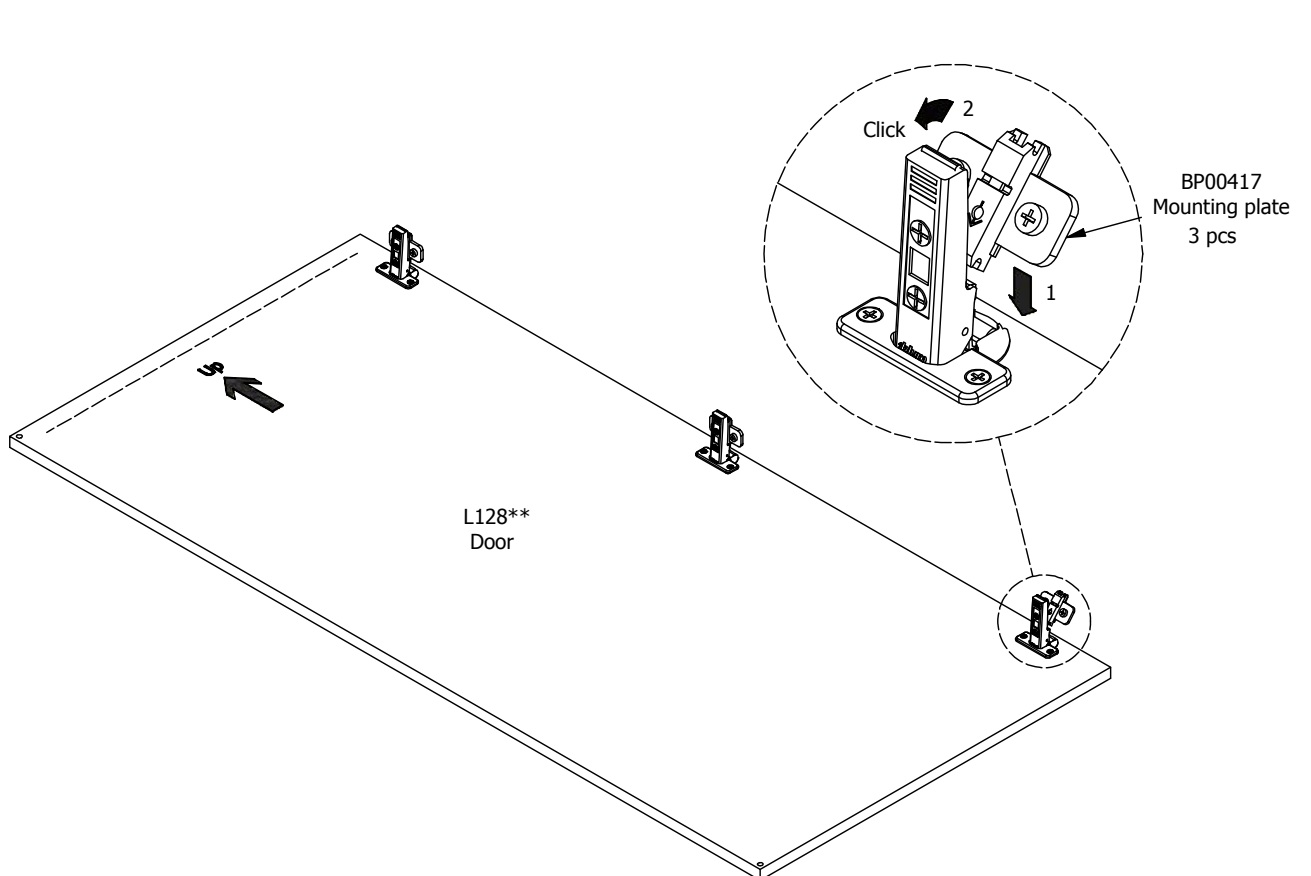


FIG. 11

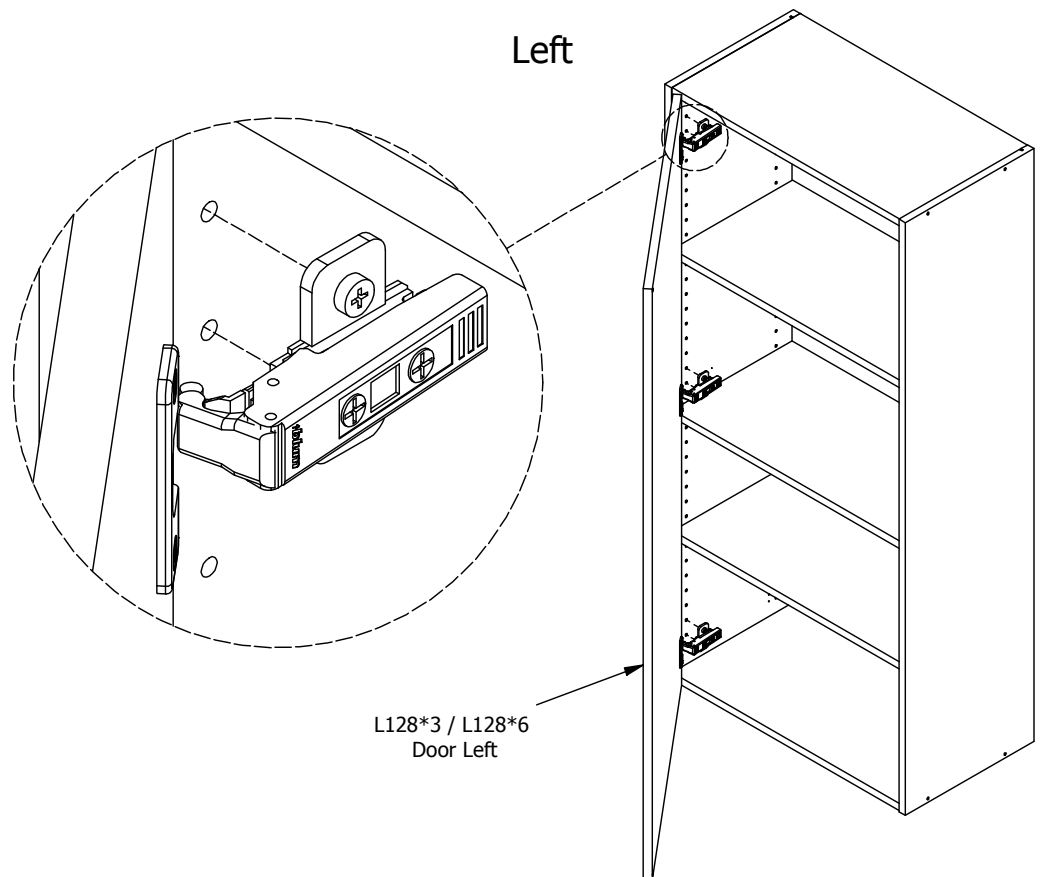
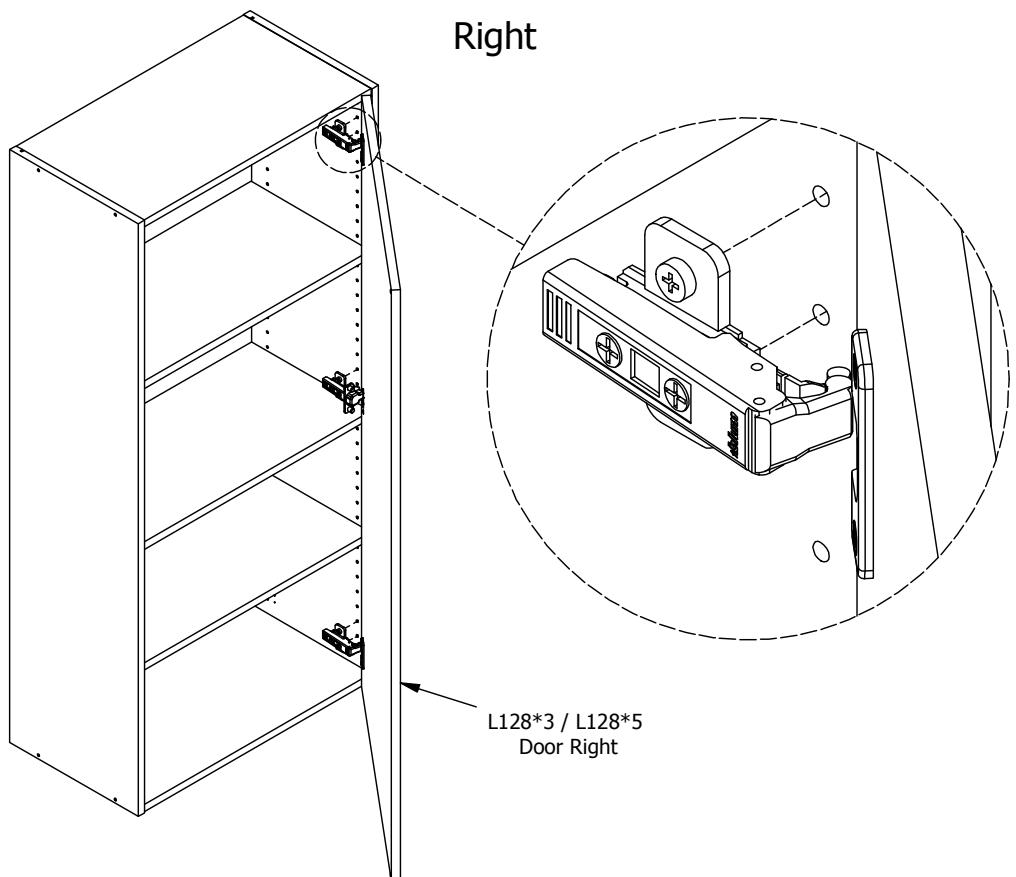
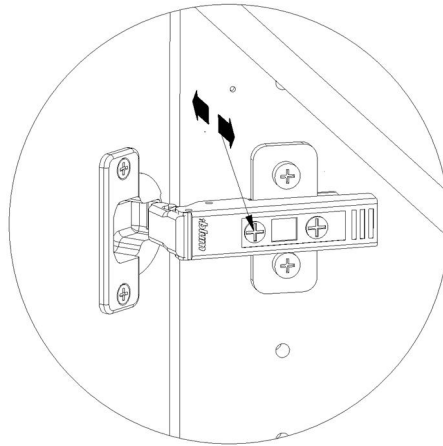
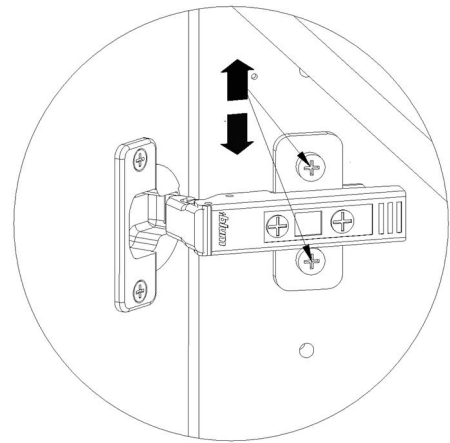
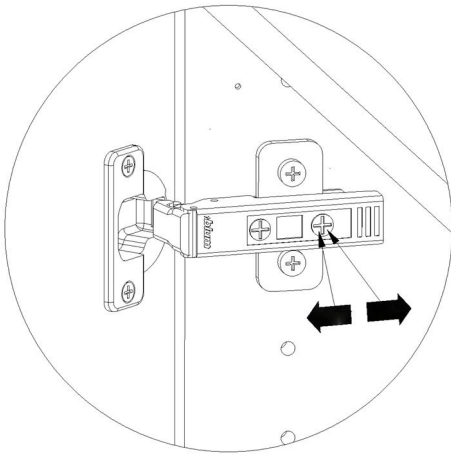


FIG. 12



Adjustment



Installation, please read instruction SV12224



	SV12224
How to wall mount a cabinet . . .	
A 3D perspective diagram of a cabinet being mounted to a wall. The cabinet is shown in black lines, and the wall is represented by a green dashed outline. The cabinet is tilted slightly to show its depth.	A 3D perspective diagram of a cabinet being mounted to a wall. The cabinet is shown in black lines, and the wall is represented by a green dashed outline. The cabinet is shown from a different angle, highlighting the mounting points on the top and back.