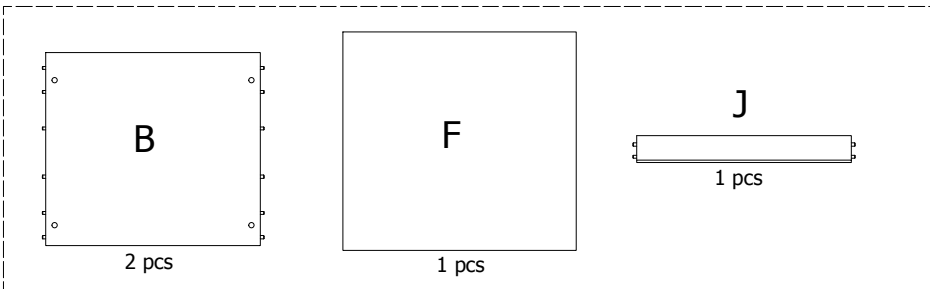


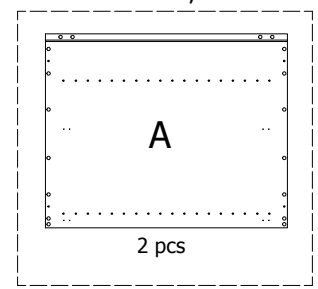
**kvik** 

**DBU6425,060,228-229**

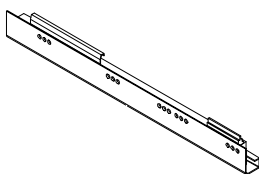
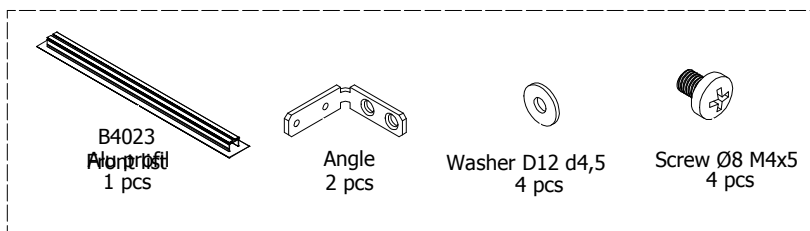
**BU51\*\*,000**



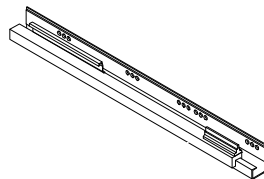
**US6451,000**



**B40\*\***



Drawer slide Left  
450  
2 pcs



Drawer slide right  
450  
2 pcs

**BP00260-BP00250**

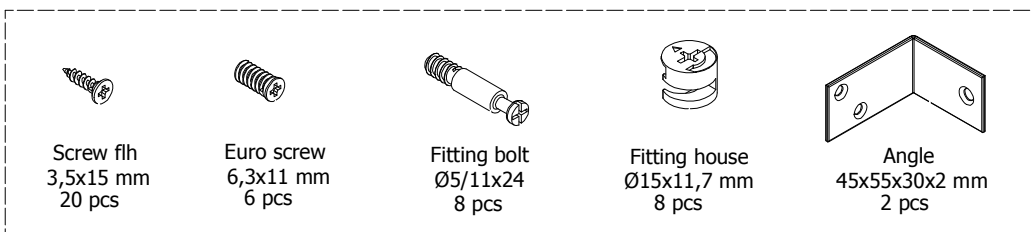


FIG. 1

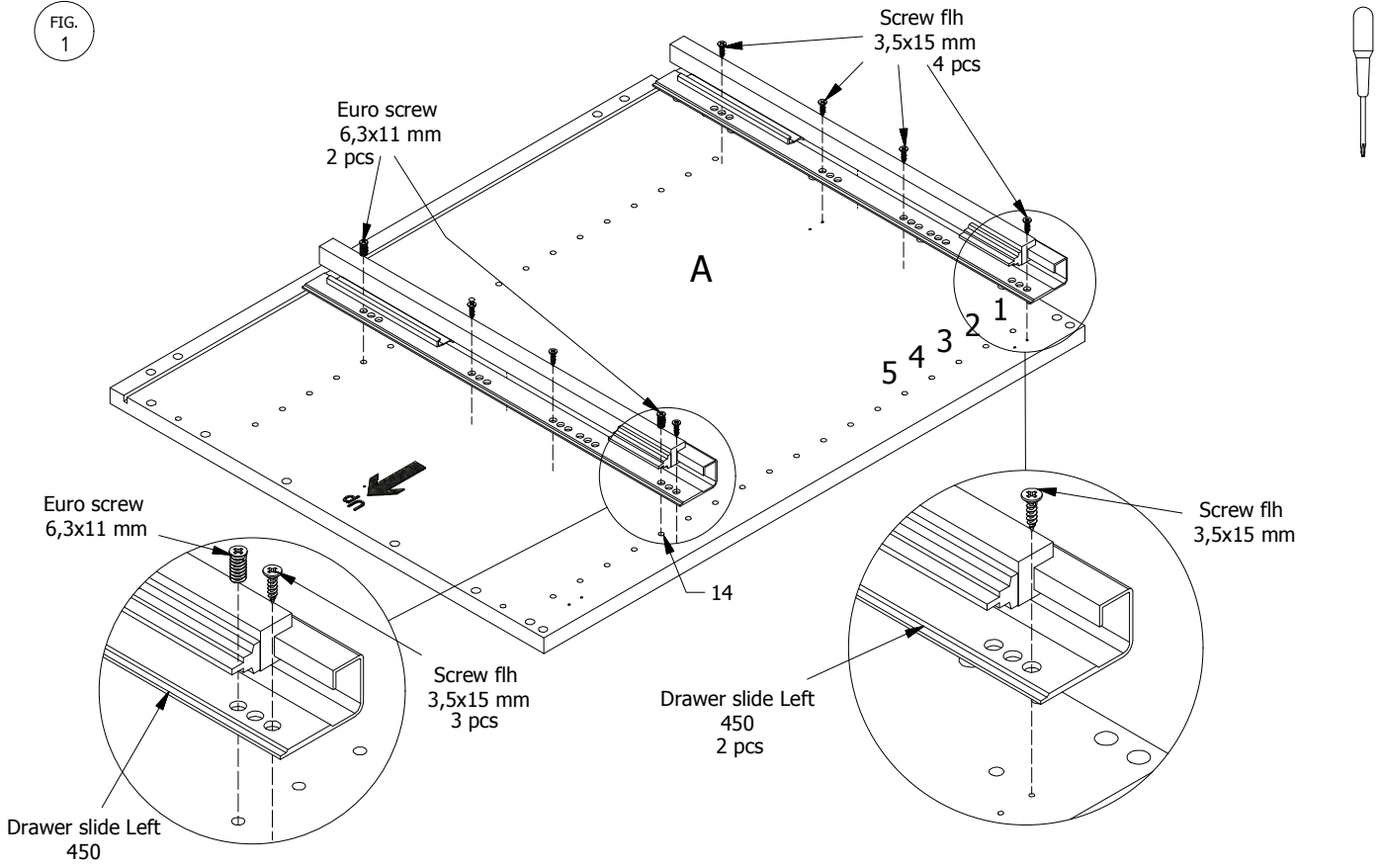


FIG. 2

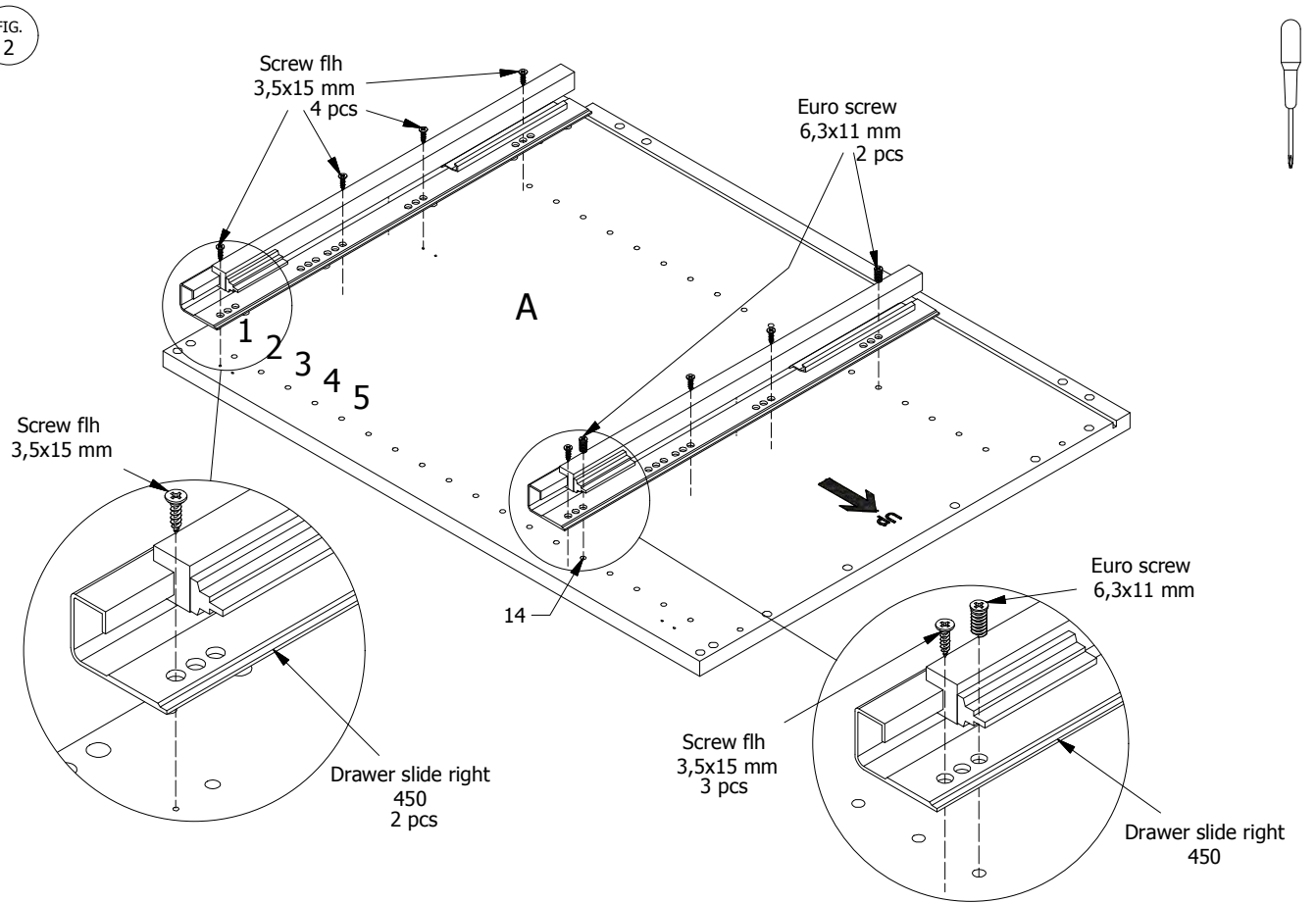


FIG. 3

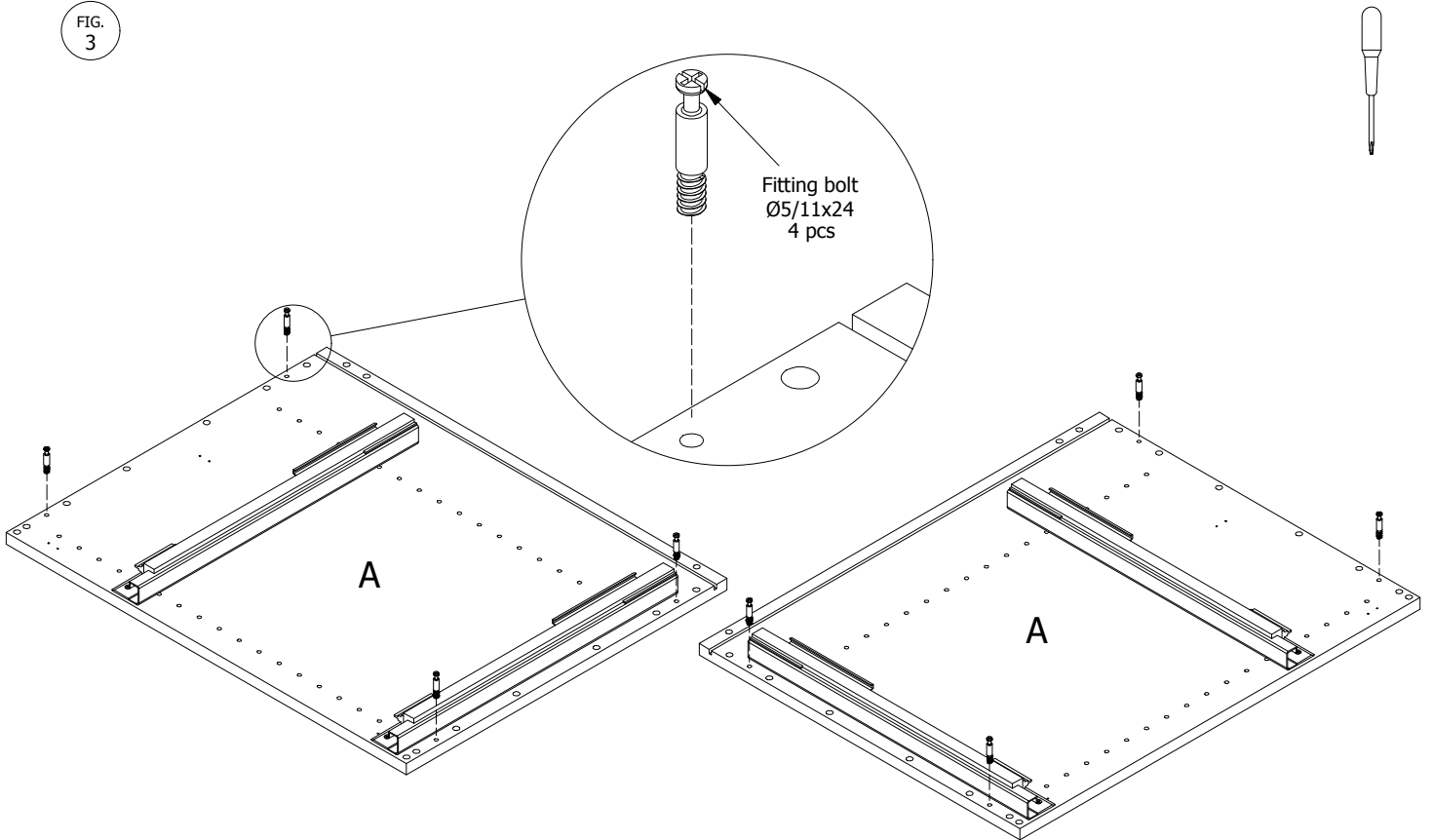


FIG. 4

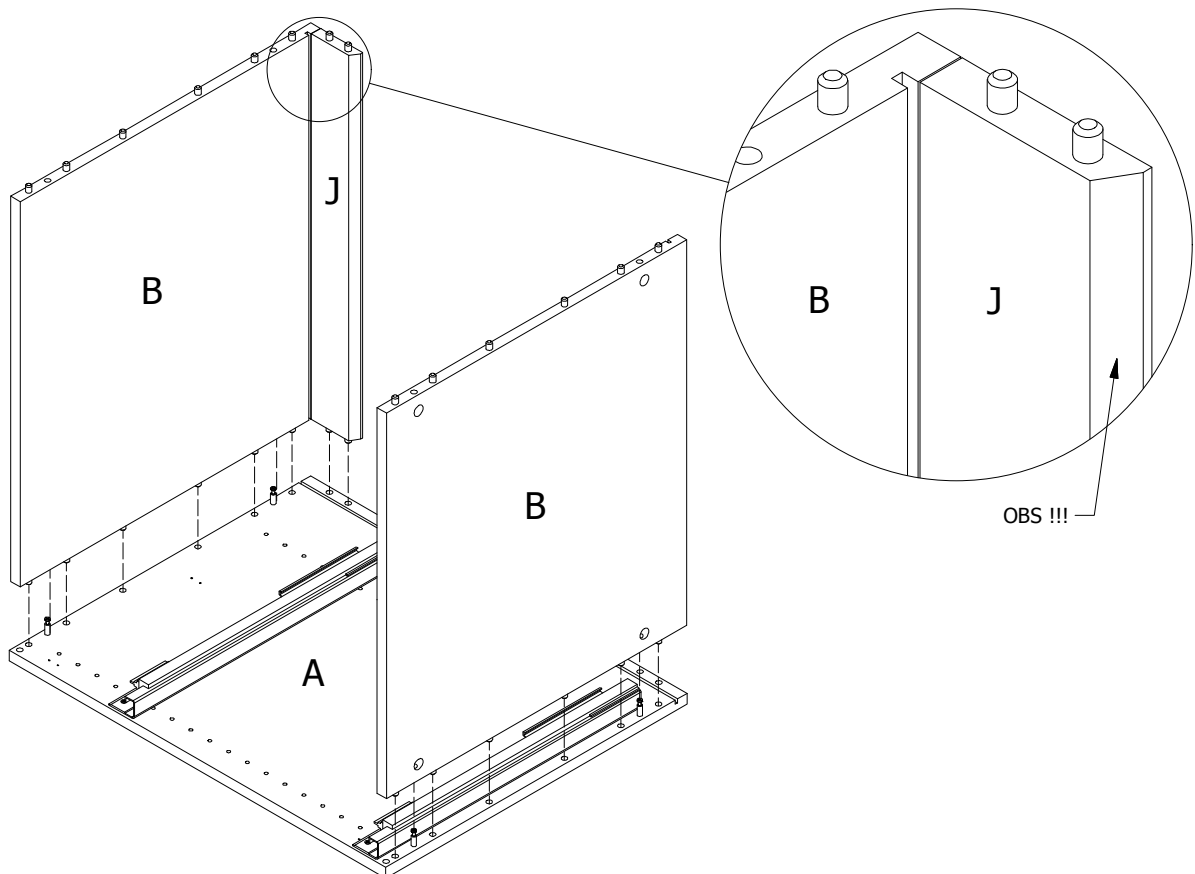


FIG.  
5

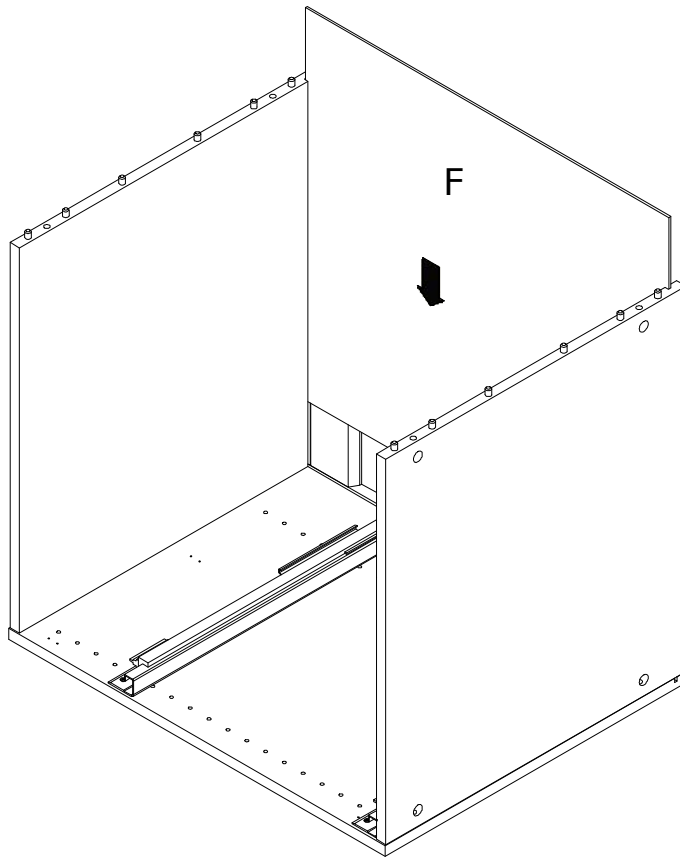


FIG.  
6

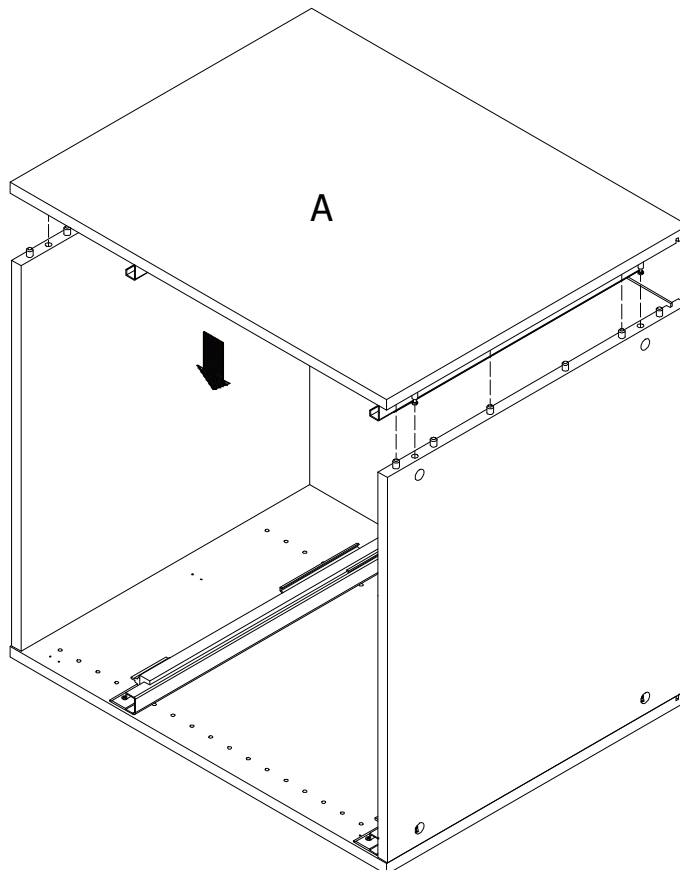


FIG. 7

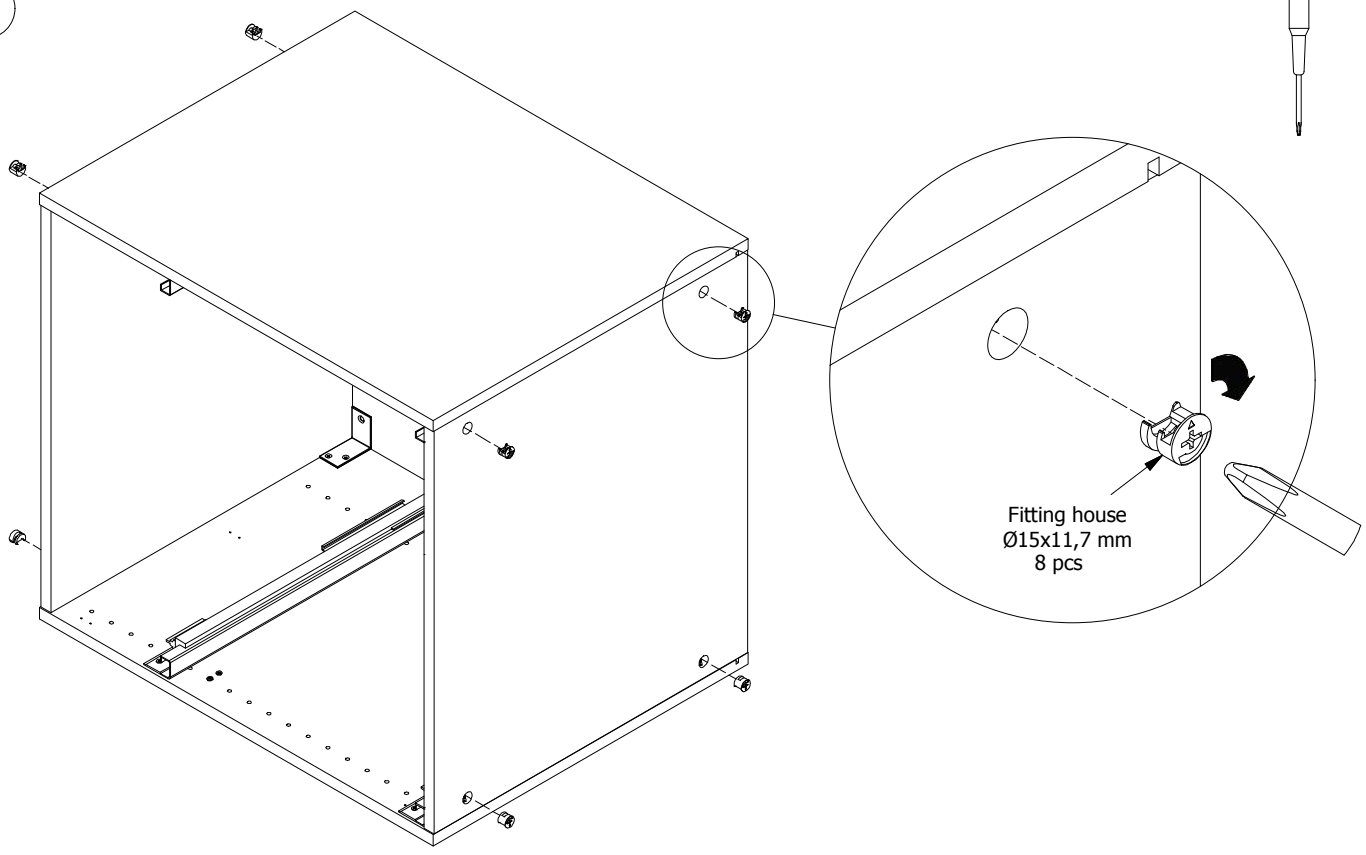


FIG. 8

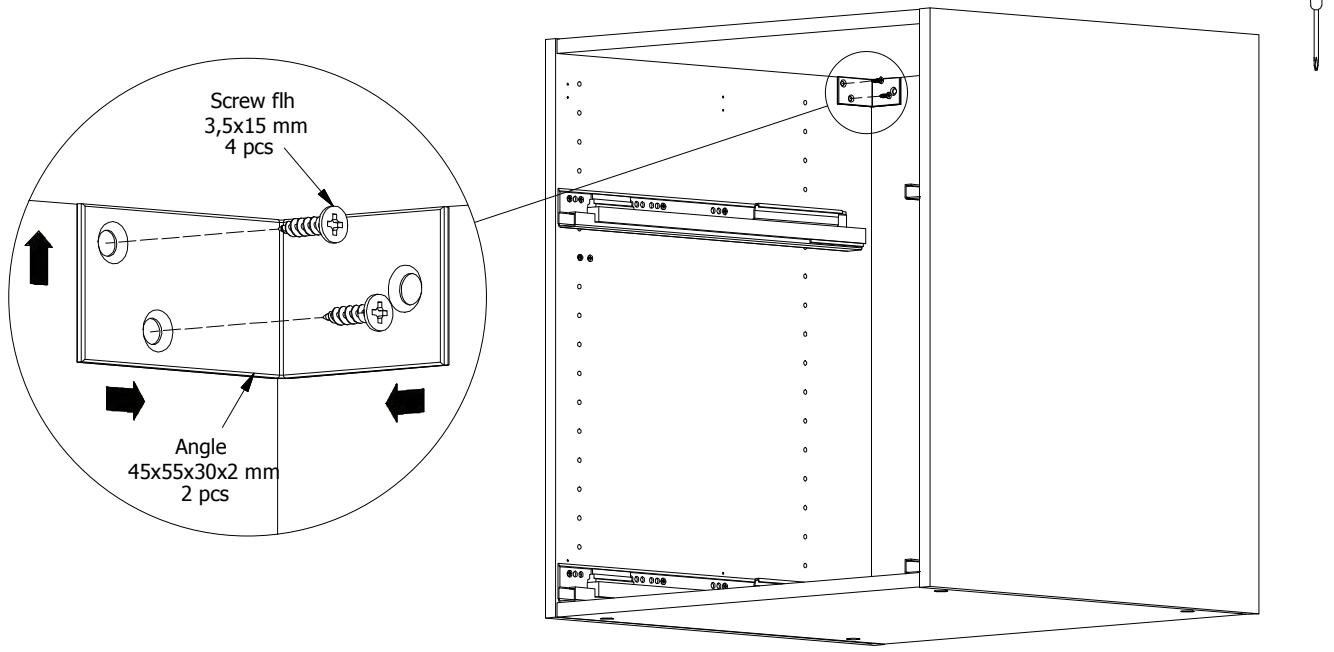


FIG. 9

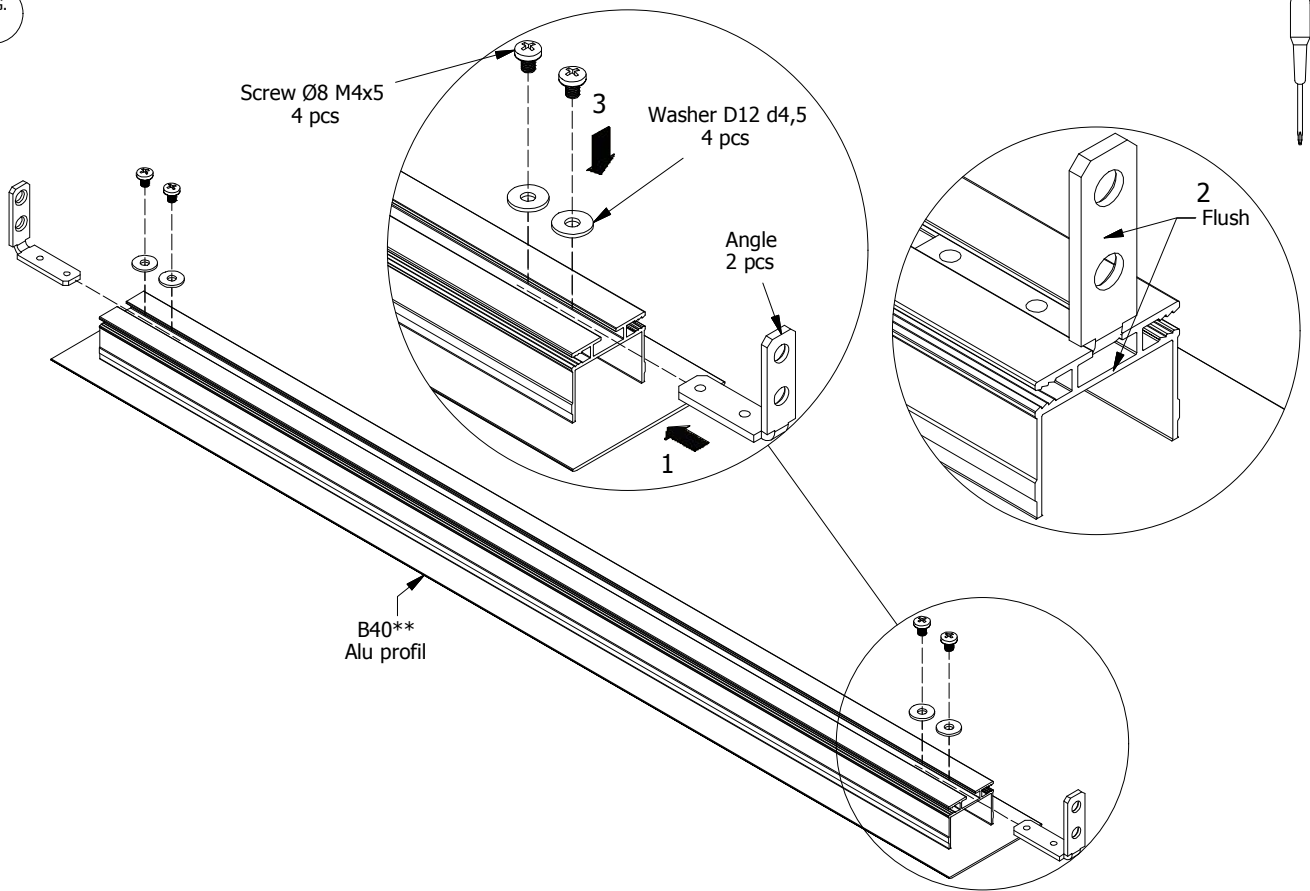
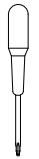


FIG. 10

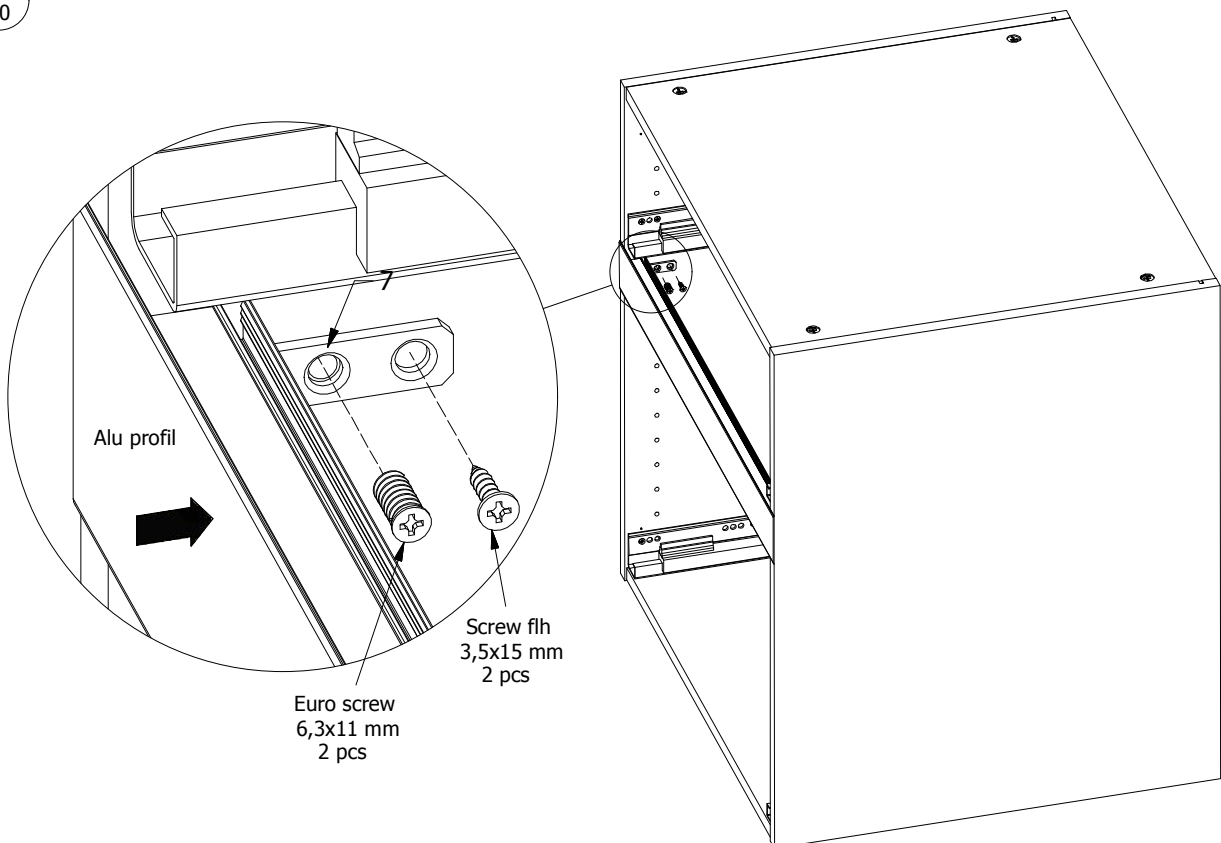


FIG.  
11

