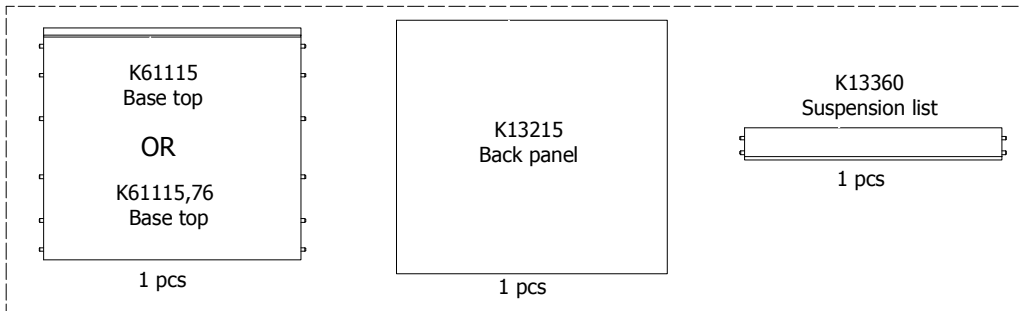


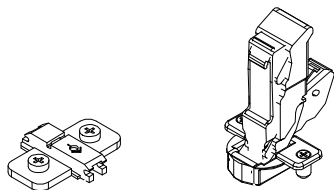
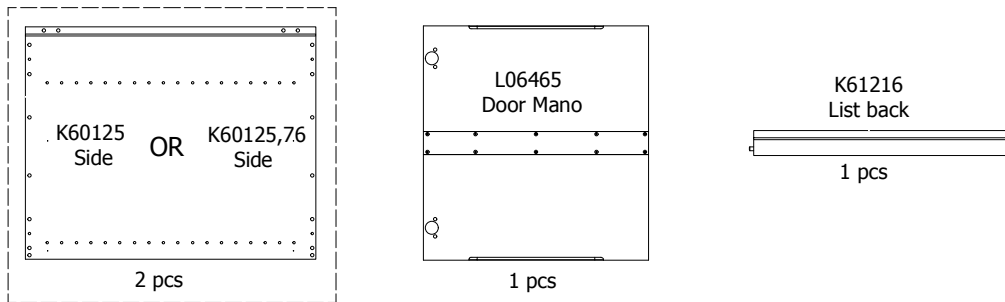
**kvik** 

**MDBU6417,060**

**BU5160,000 / 176**

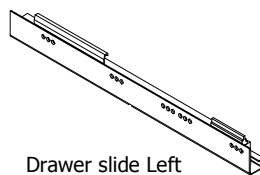


**US6451,000 / KVIK**

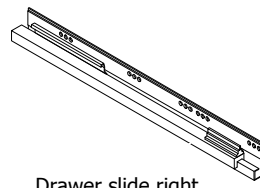


**BP00417**  
Mounting plate  
2 pcs

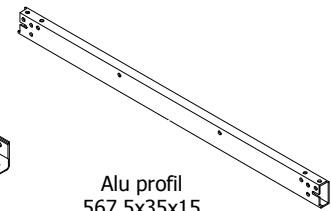
**K15355**  
Hinge 155 degrees  
2 pcs



**Drawer slide Left**  
450  
2 pcs



**Drawer slide right**  
450  
2 pcs



**Alu profil**  
567,5x35x15  
1 pcs

**BP00260-BP00250-BP00340**

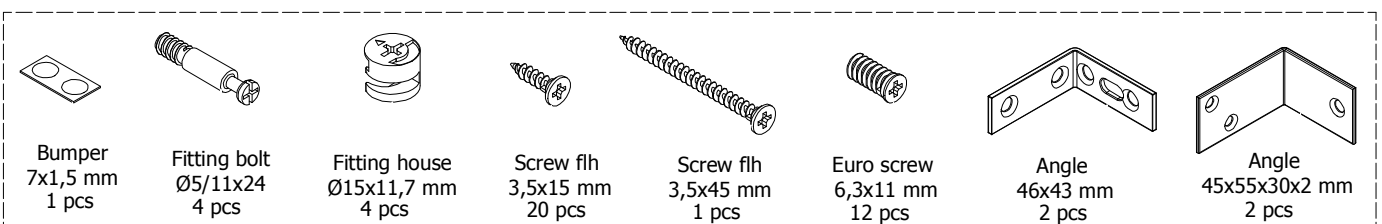


FIG. 1

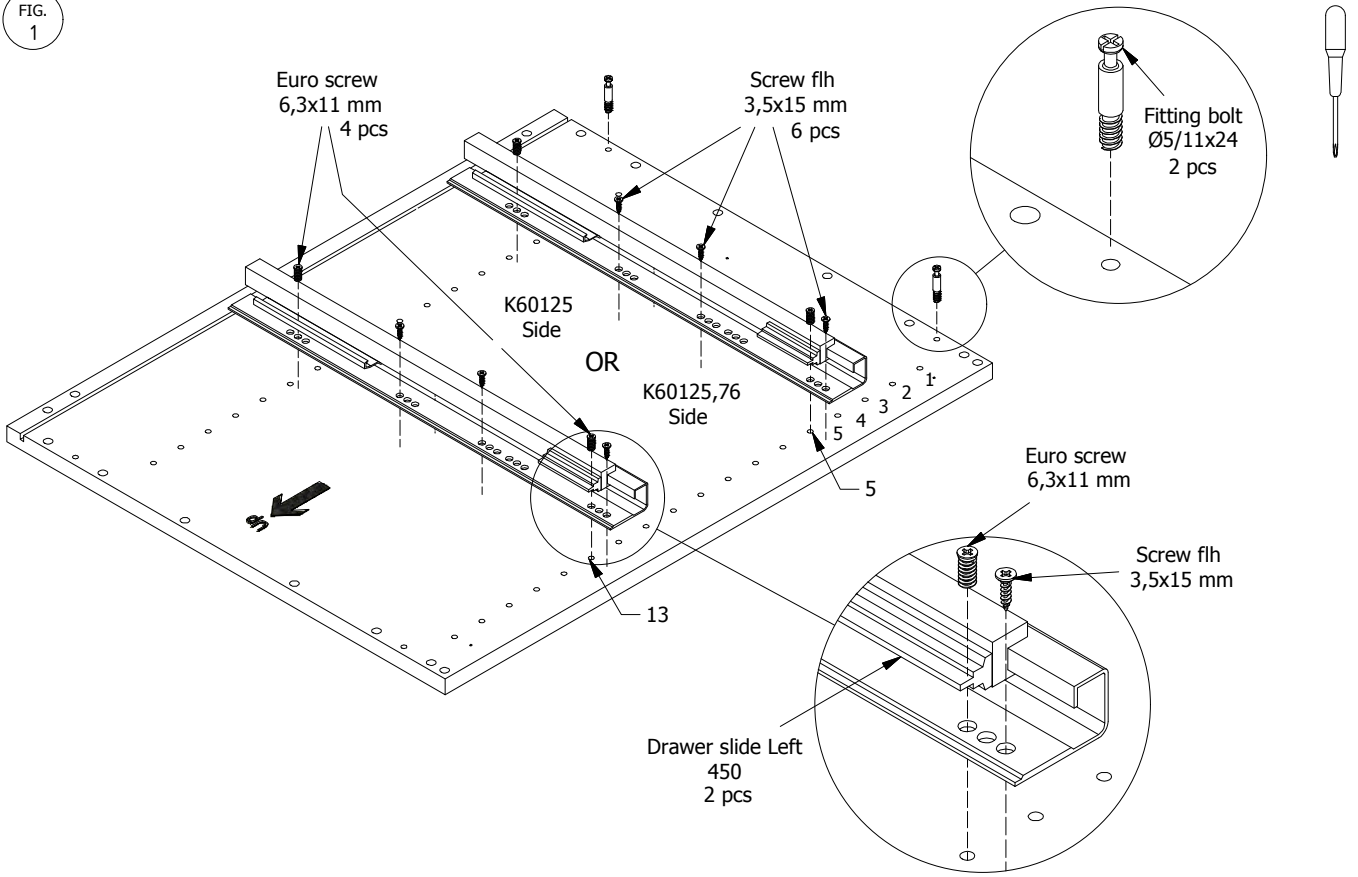


FIG. 2

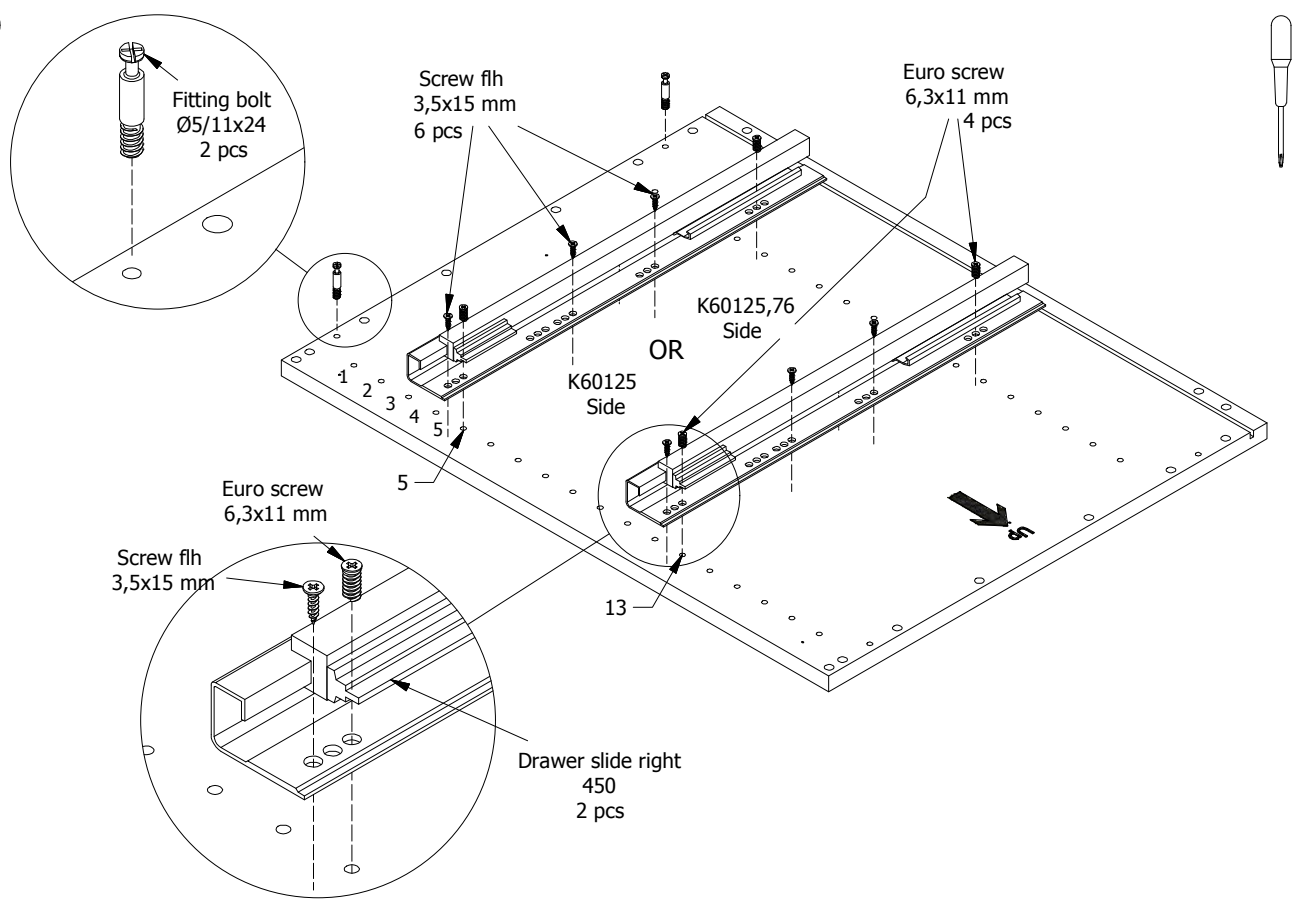


FIG. 3

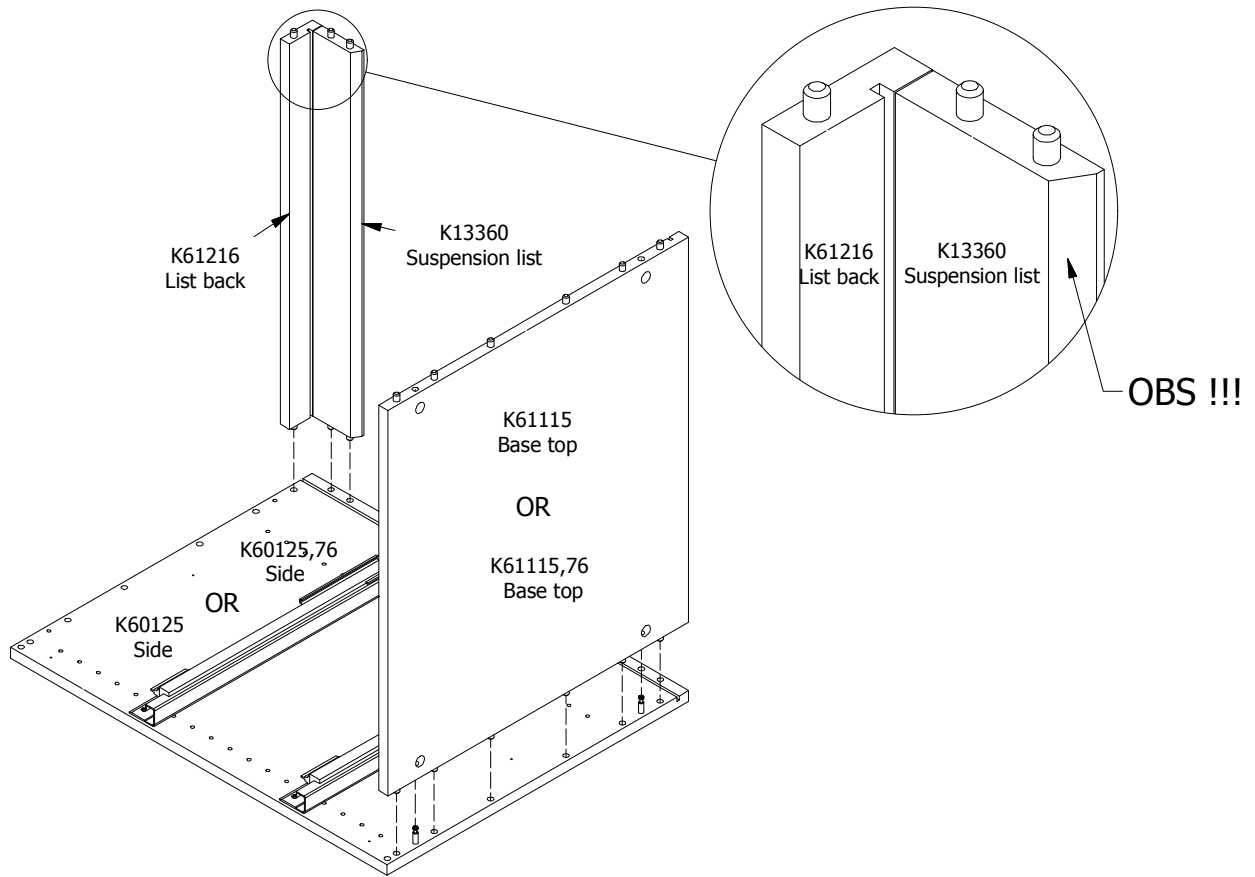


FIG. 4

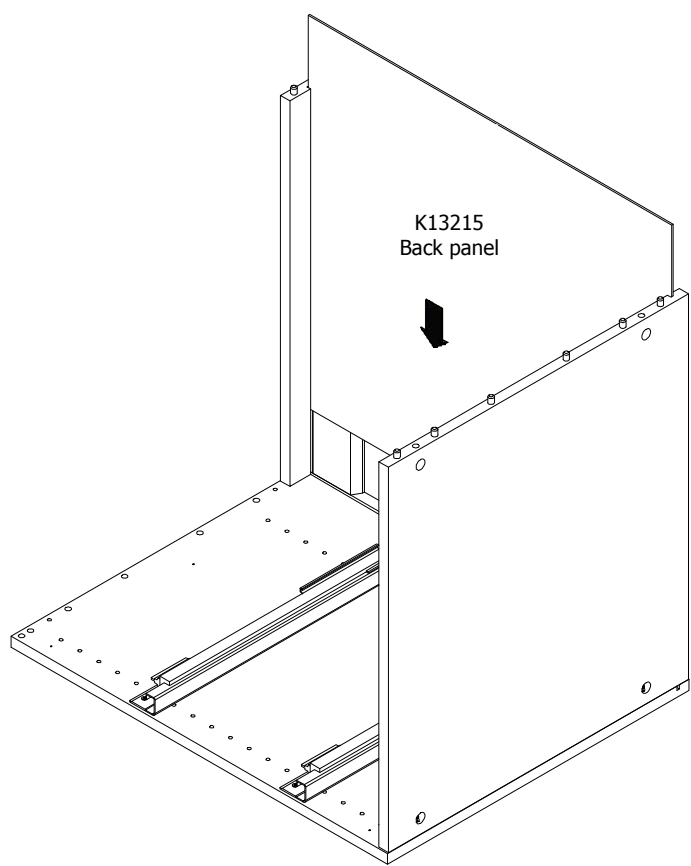


FIG. 5

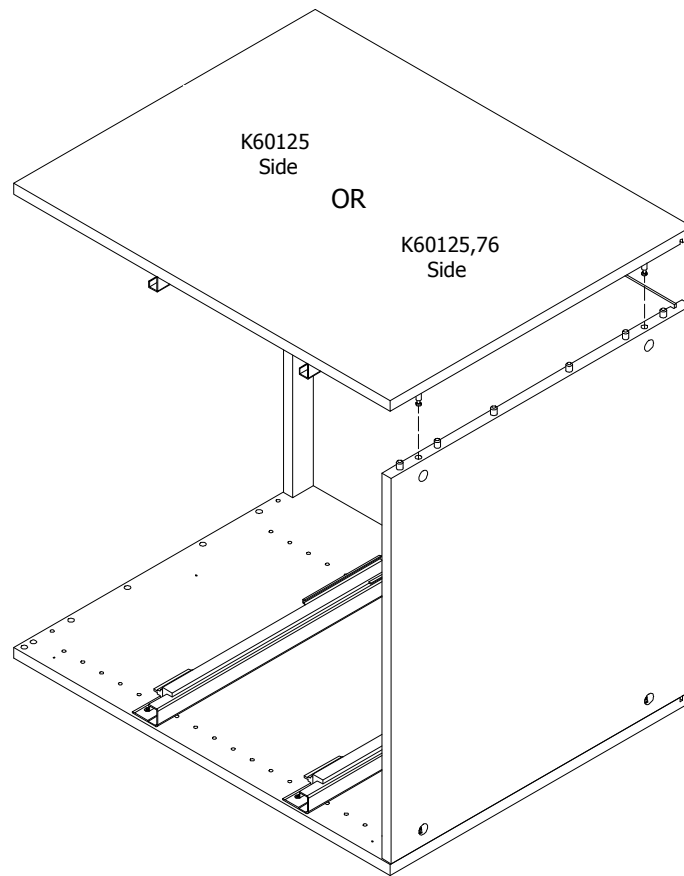


FIG. 6

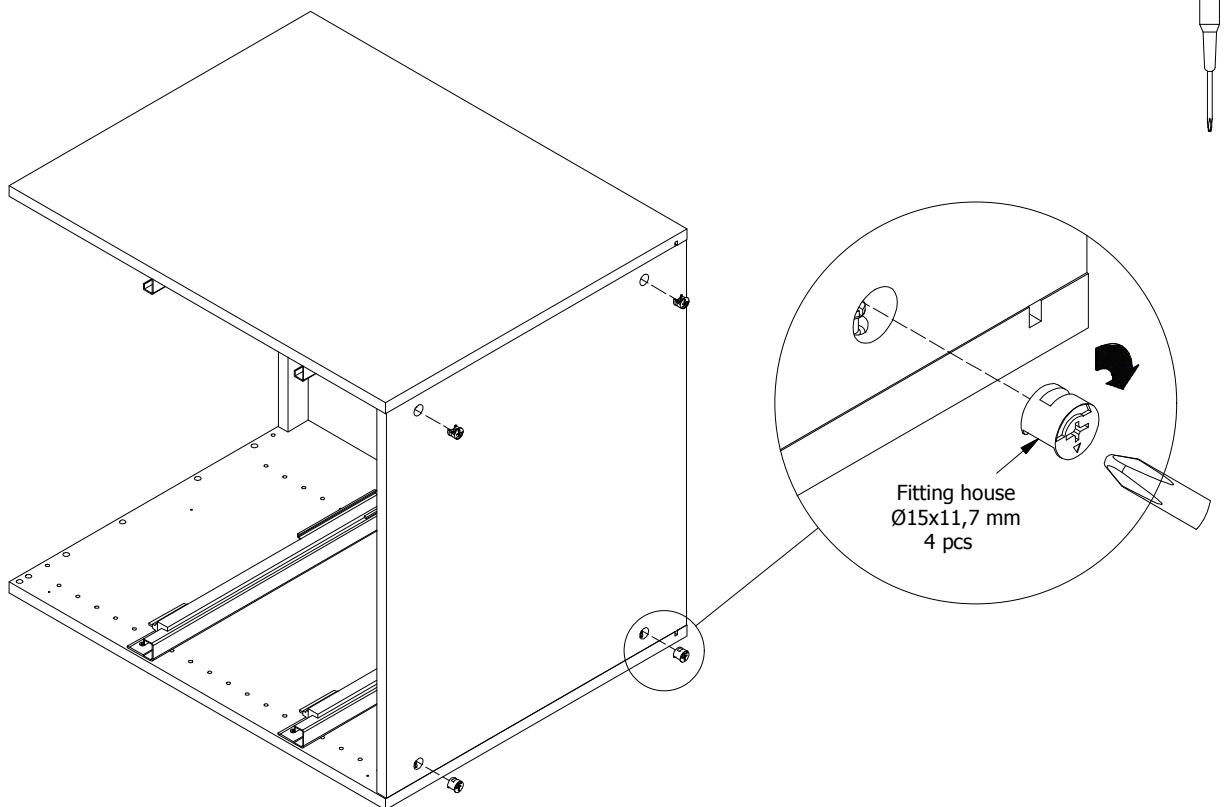


FIG. 7

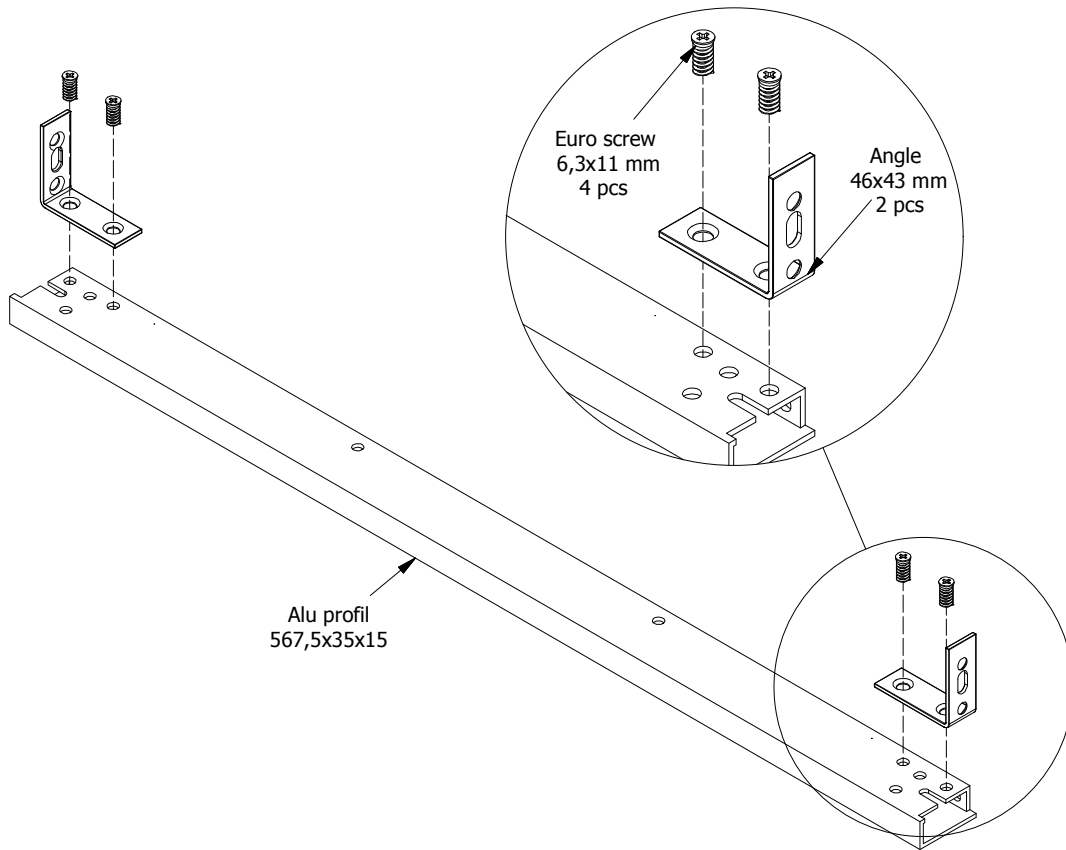


FIG. 8

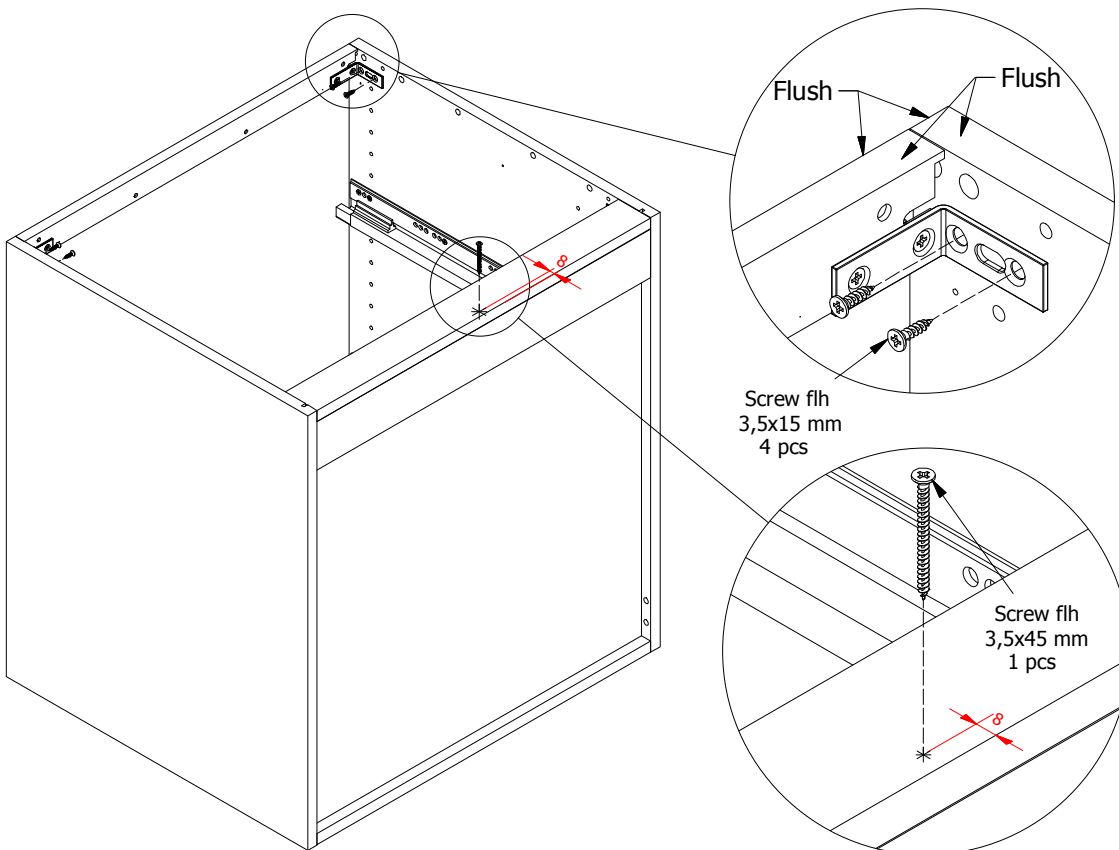


FIG. 9

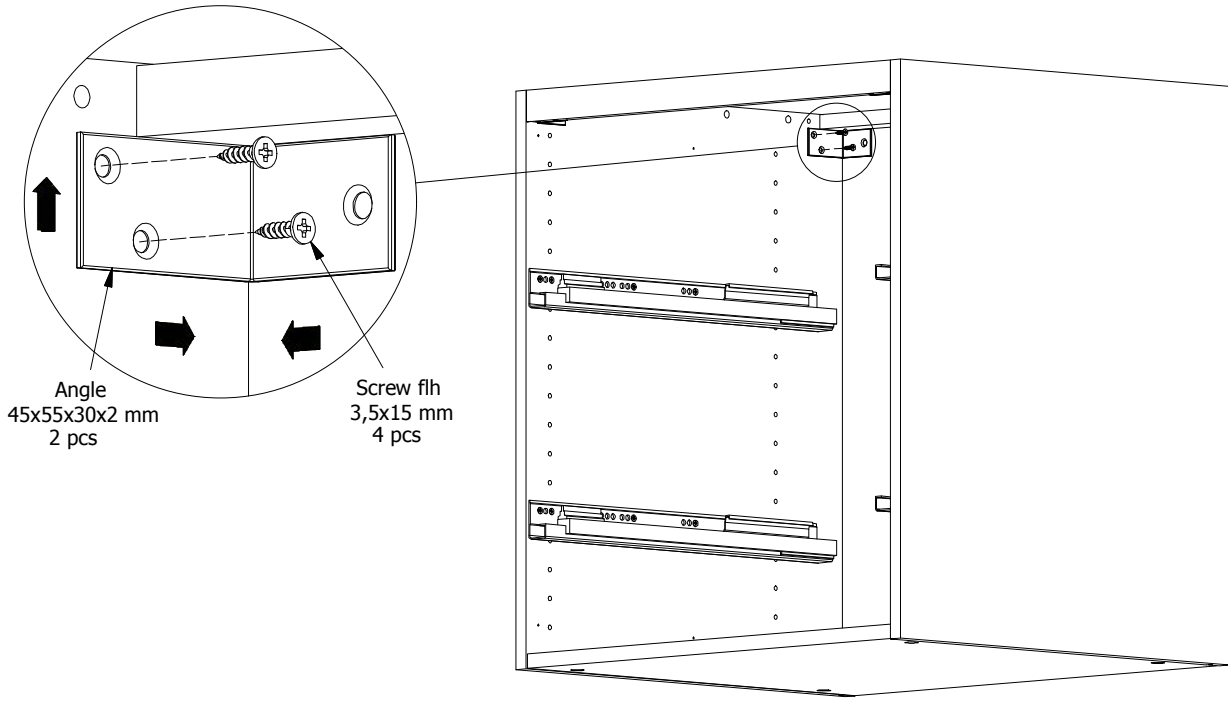


FIG. 10

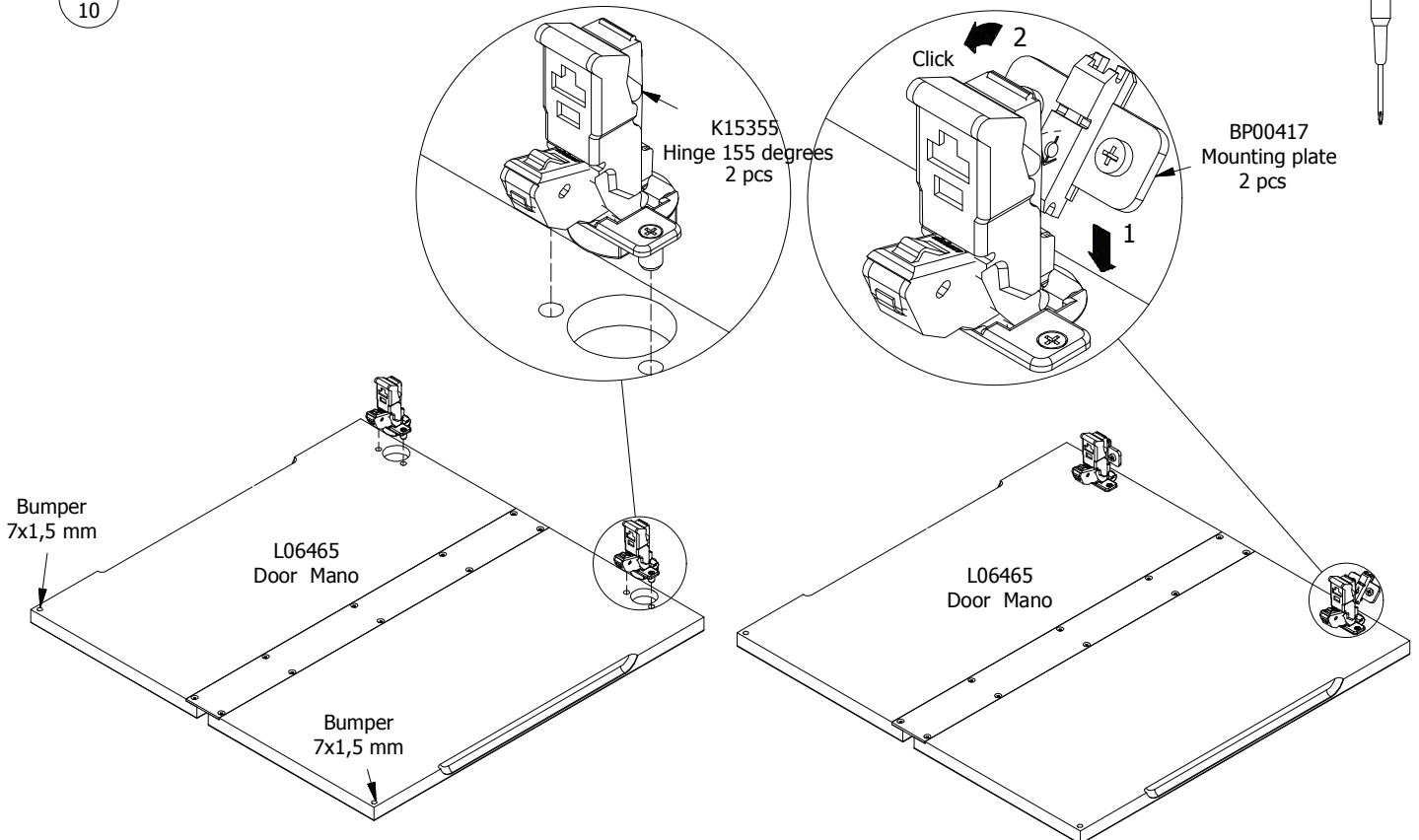


FIG. 11

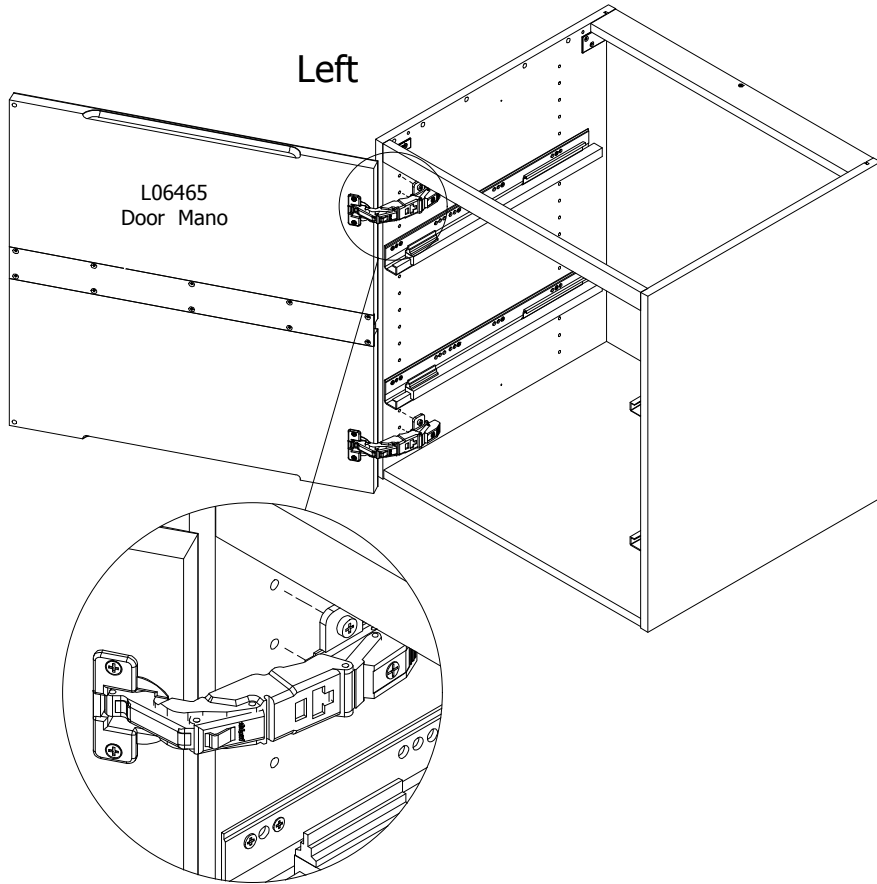
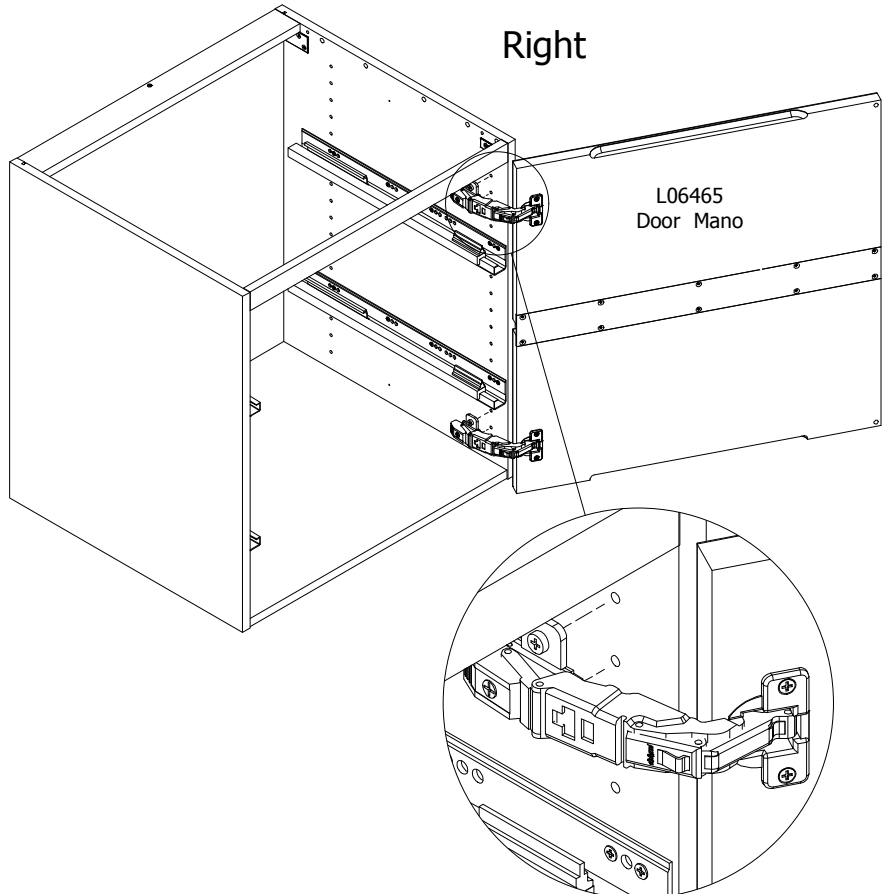


FIG. 12



# Adjustment

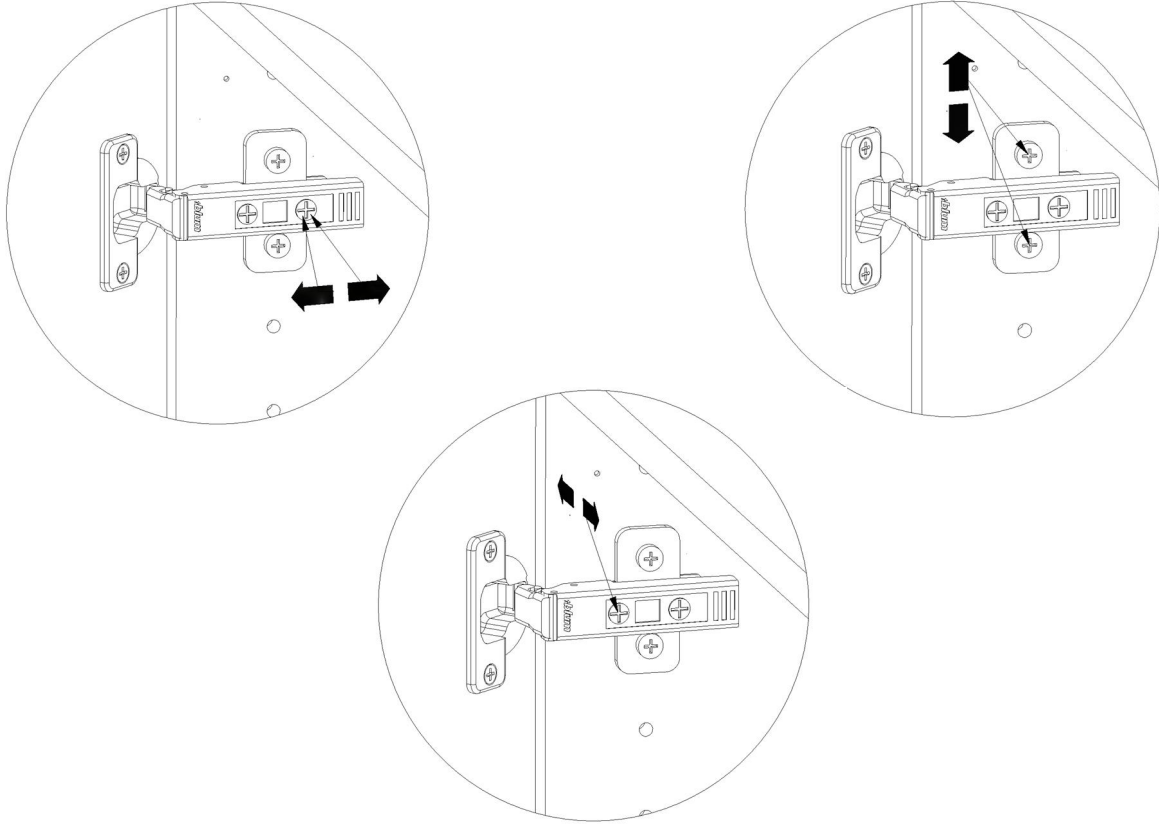


FIG.  
13

