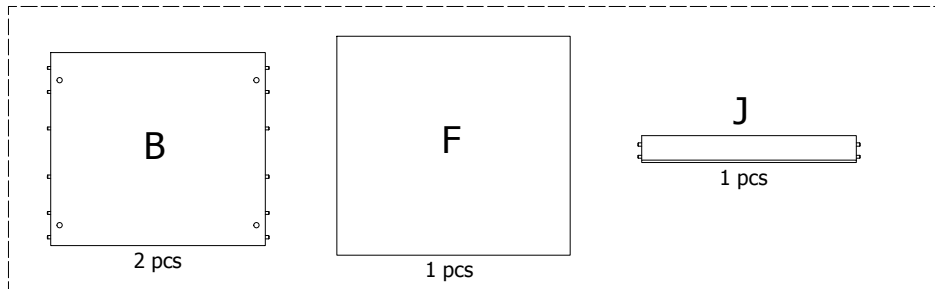


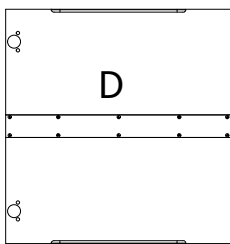
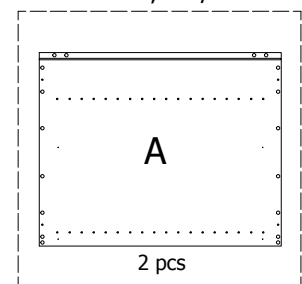
kvik 

MDBU6415,060-040

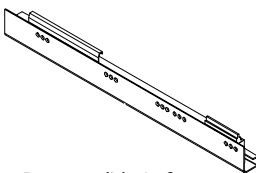
BU51**,000/176



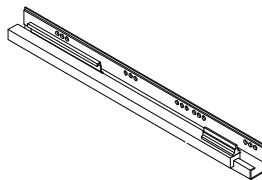
US6451,000/KVIK



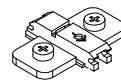
1 pcs



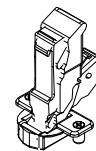
Drawer slide Left
450
2 pcs



Drawer slide right
450
2 pcs

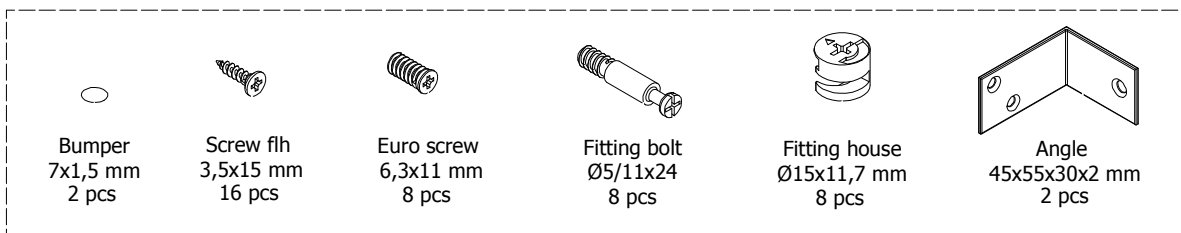


BP00417
Mounting plate
2 pcs



K15355
Hinge 155 degrees
2 pcs

BP00260-BP00250



Bumper
7x1,5 mm
2 pcs

Screw flh
3,5x15 mm
16 pcs

Euro screw
6,3x11 mm
8 pcs

Fitting bolt
Ø5/11x24
8 pcs

Fitting house
Ø15x11,7 mm
8 pcs

Angle
45x55x30x2 mm
2 pcs

FIG. 1

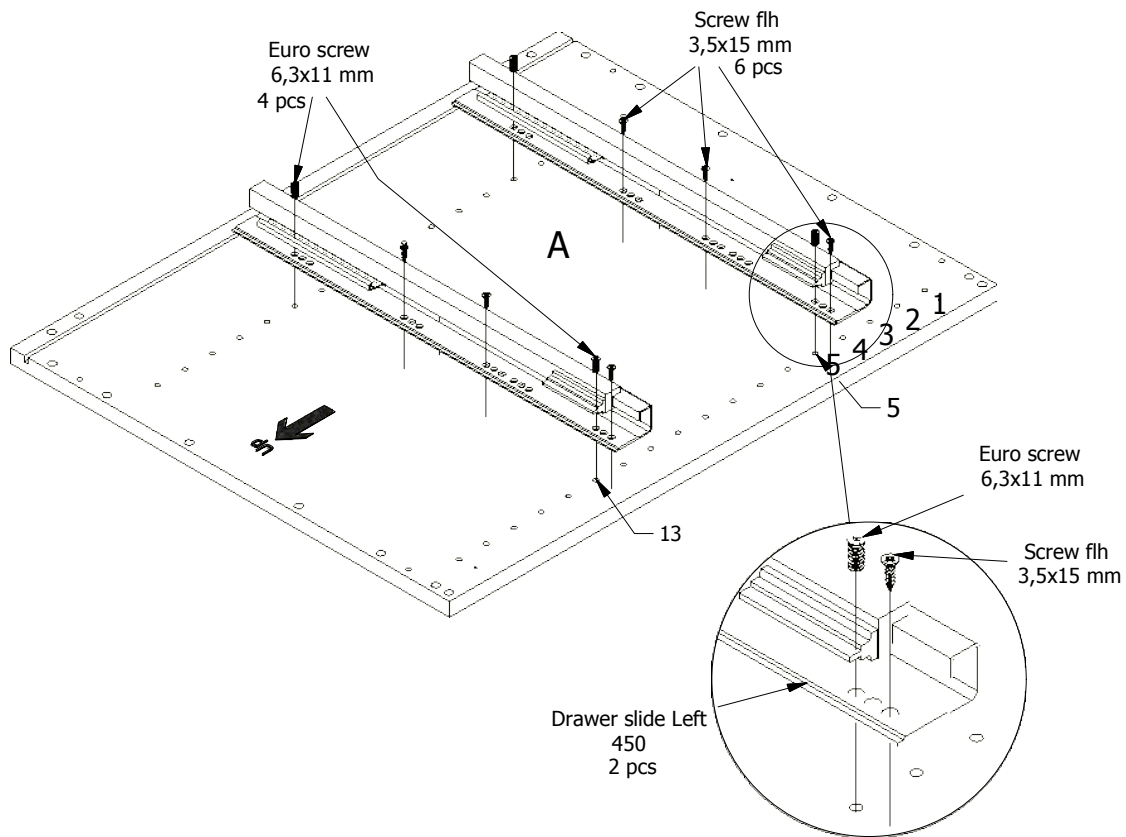


FIG. 2

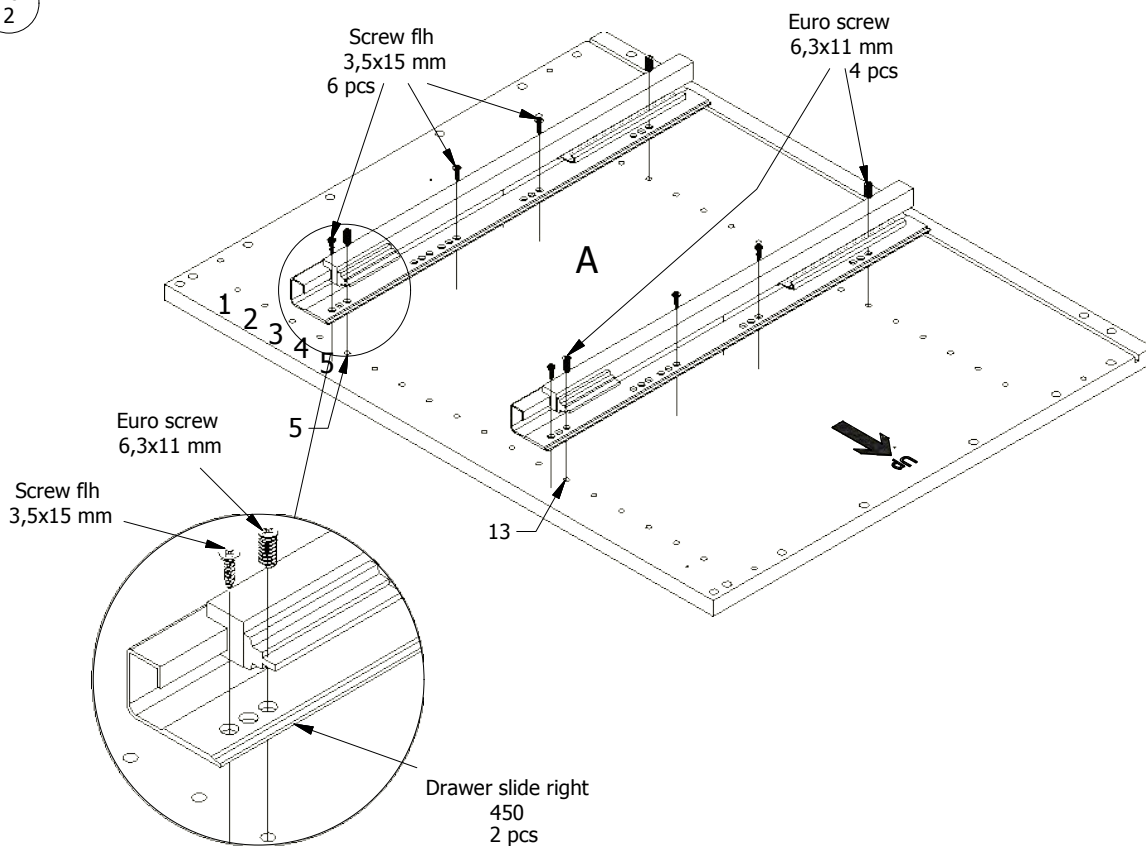


FIG. 3

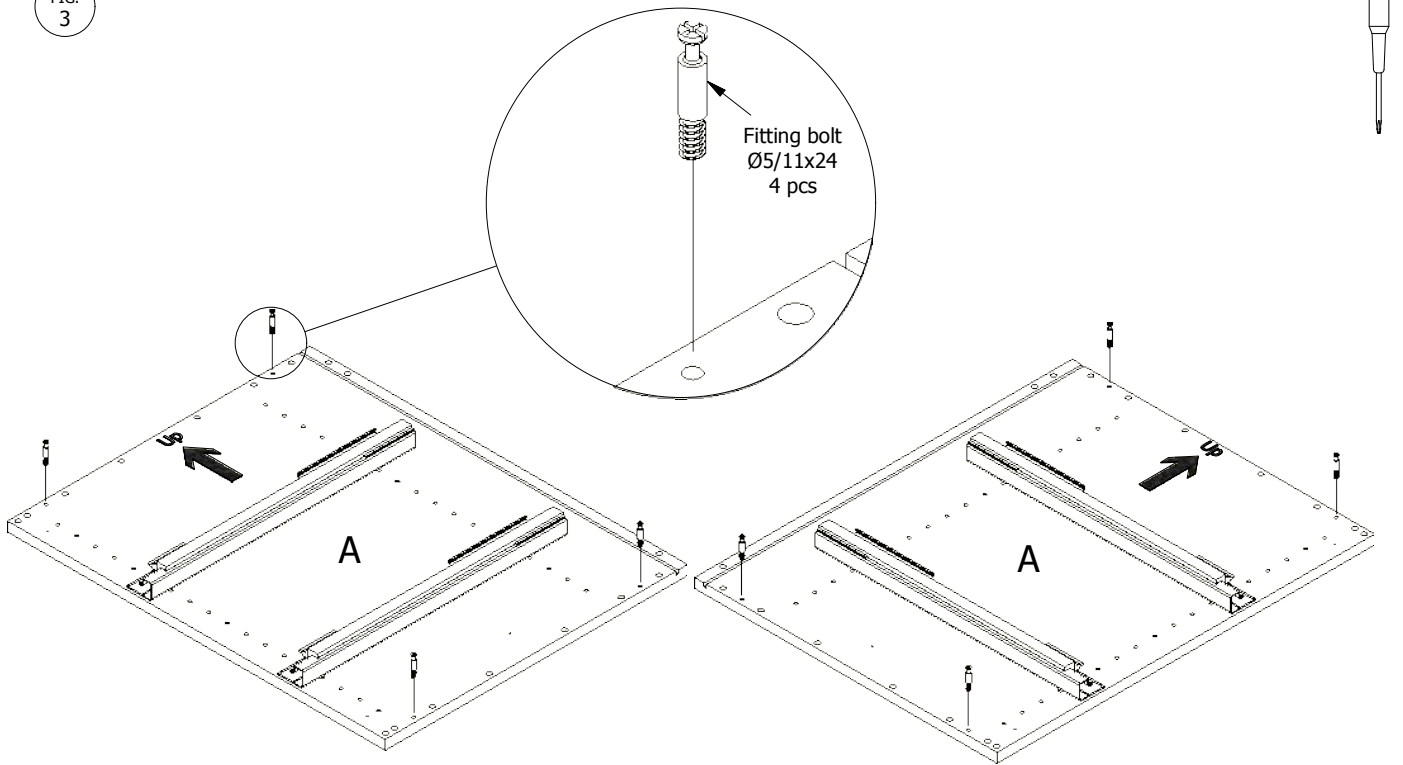


FIG. 4

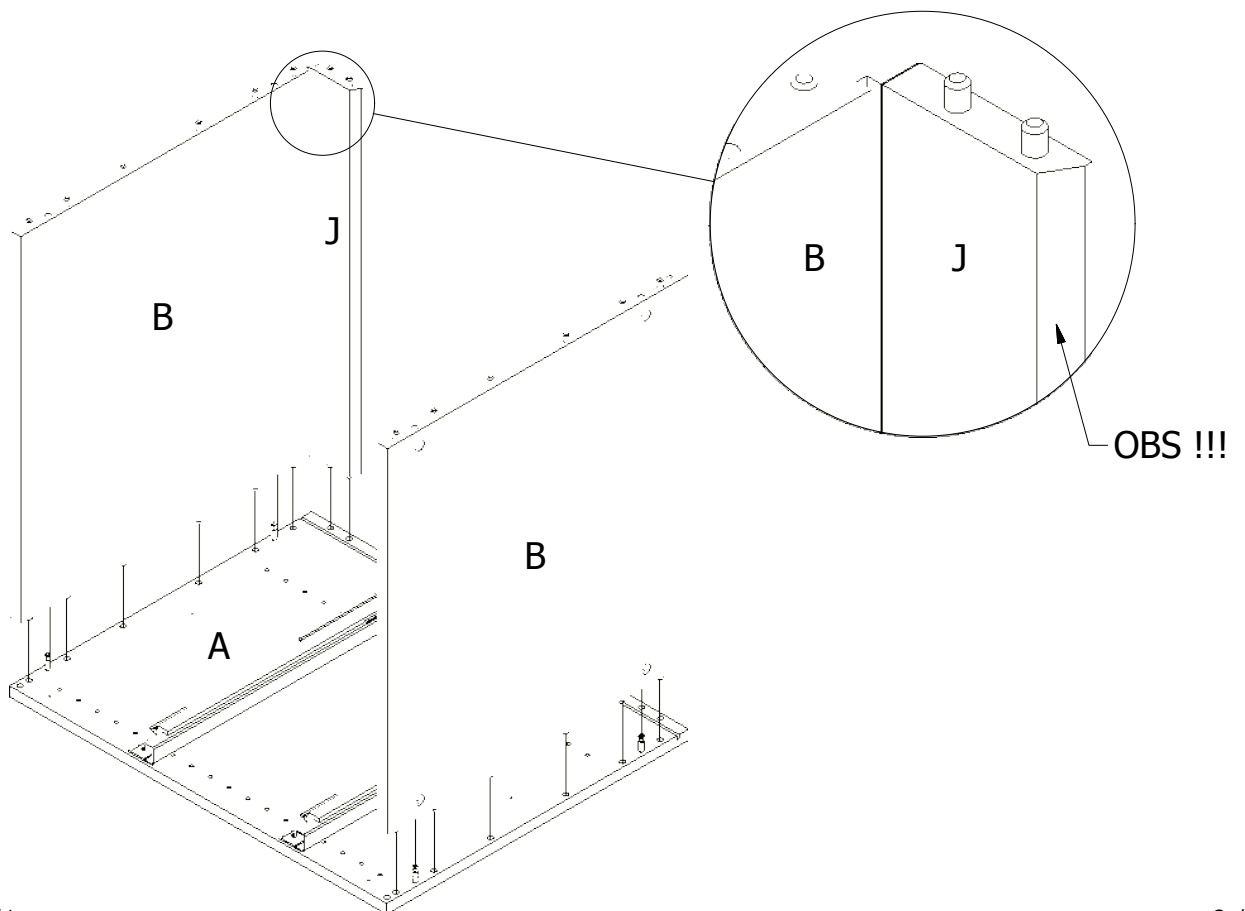


FIG.
5

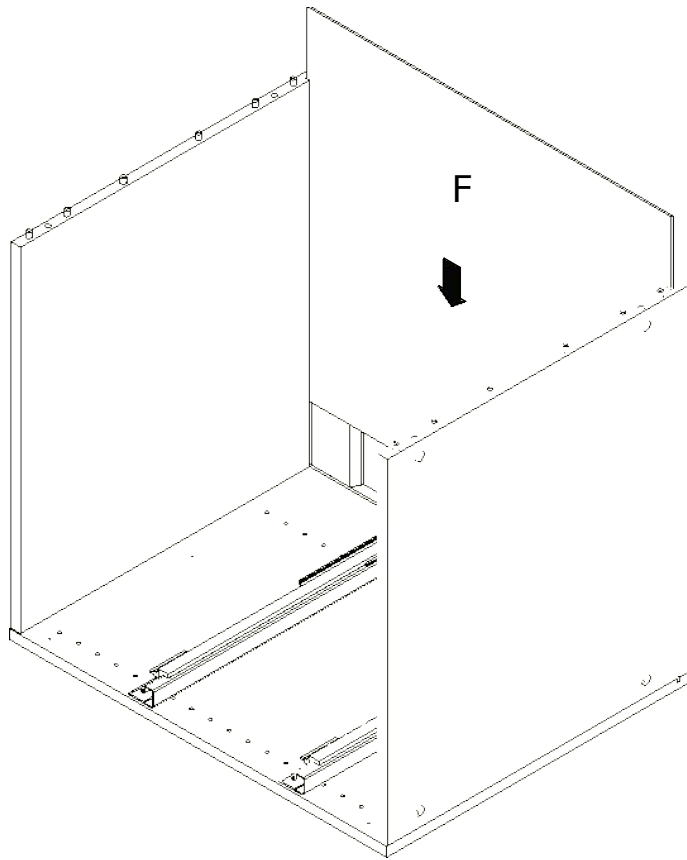


FIG.
6

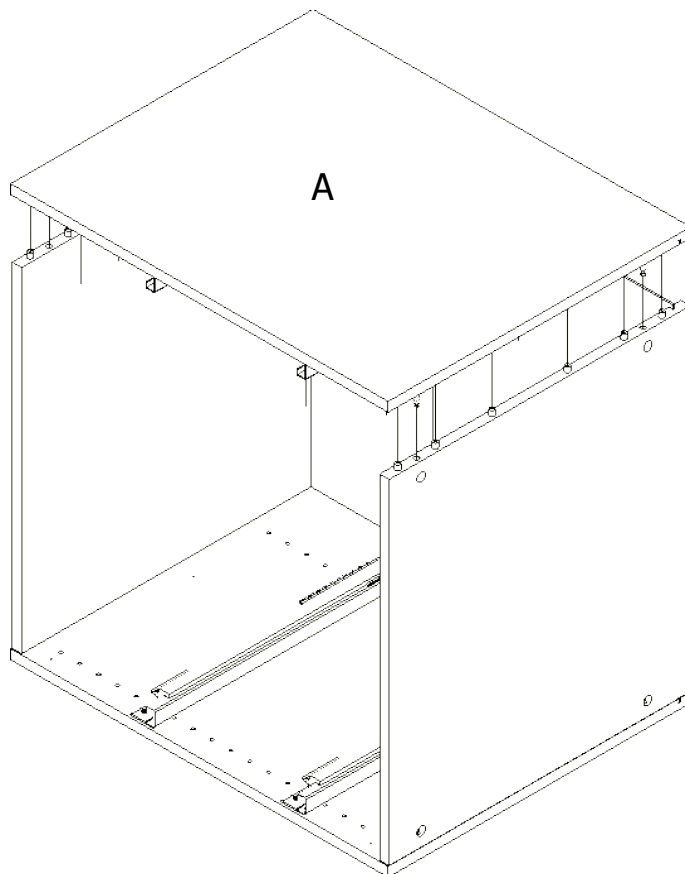


FIG. 7

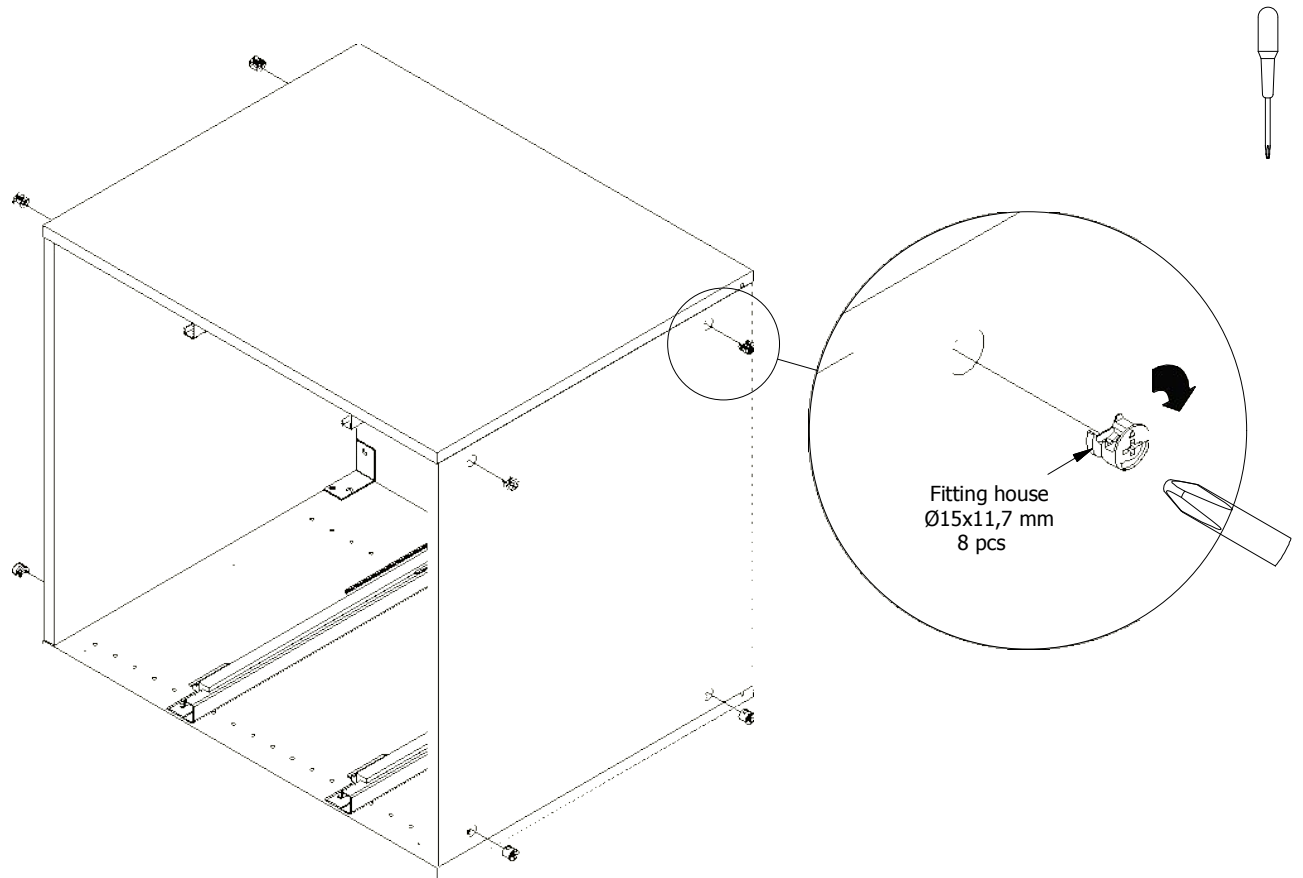


FIG. 8

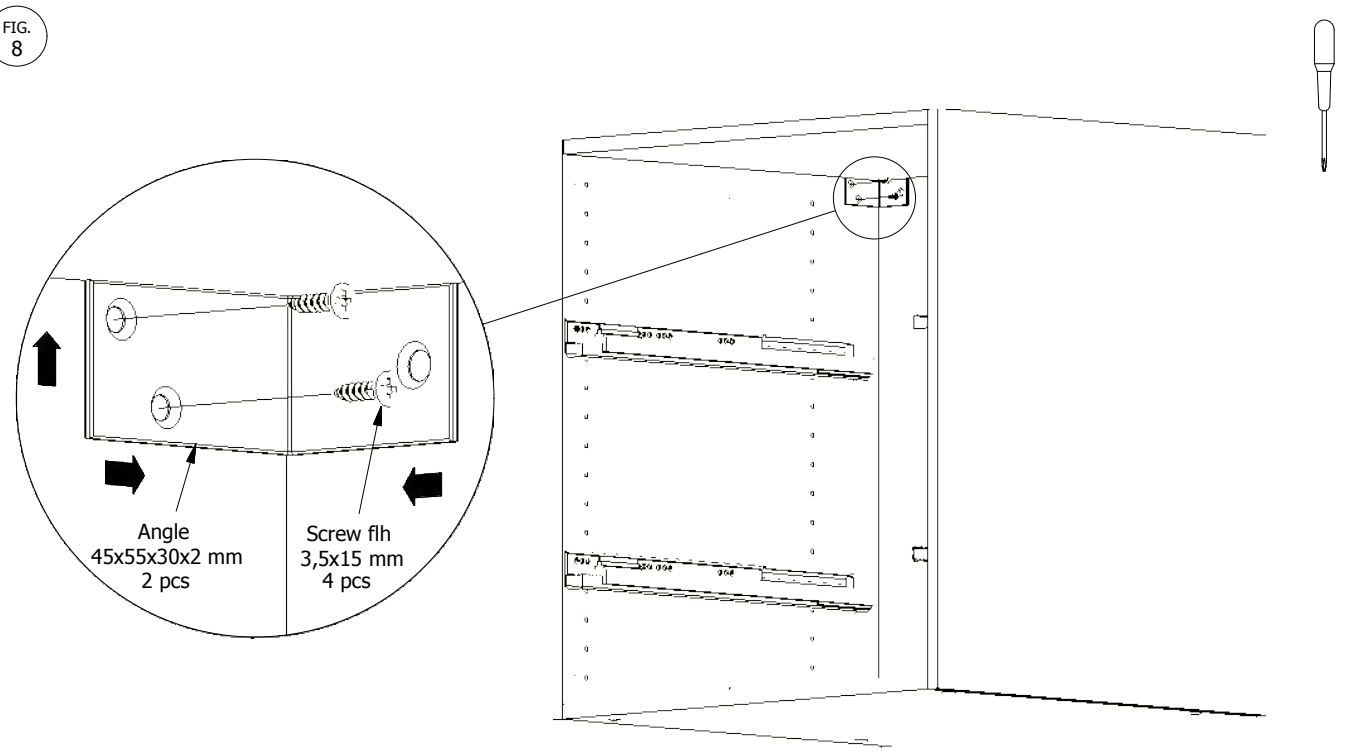


FIG. 9

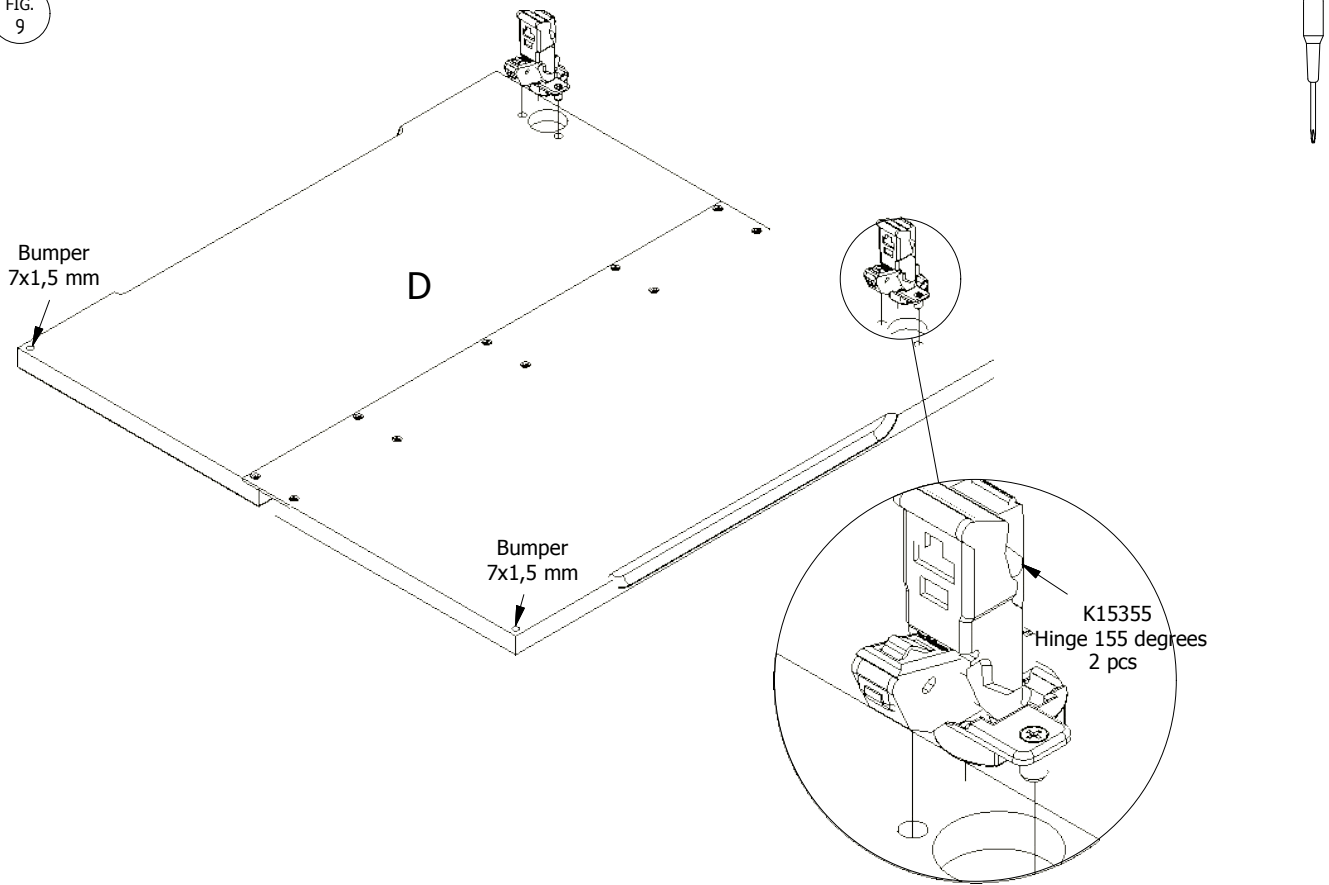


FIG. 10

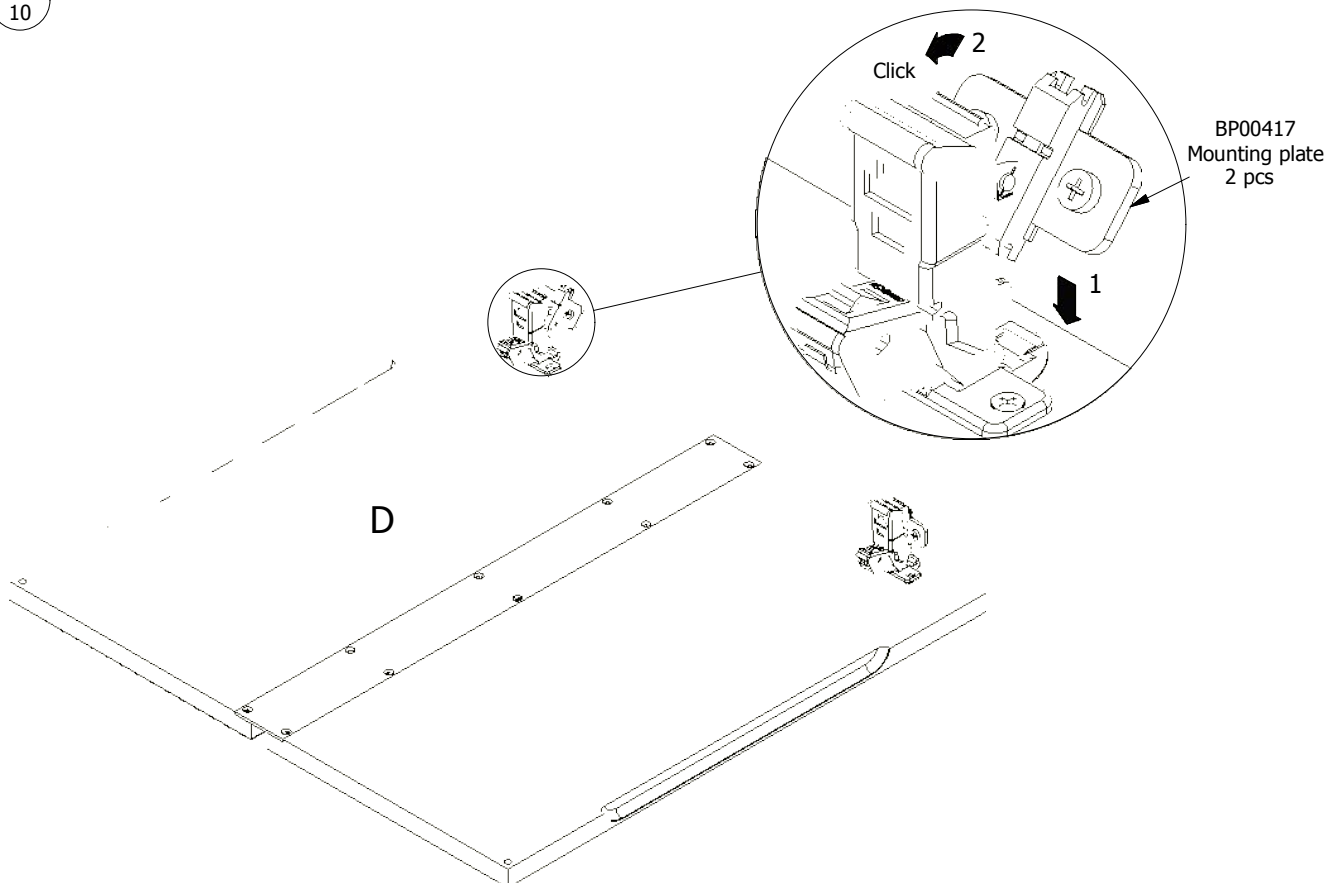


FIG. 11

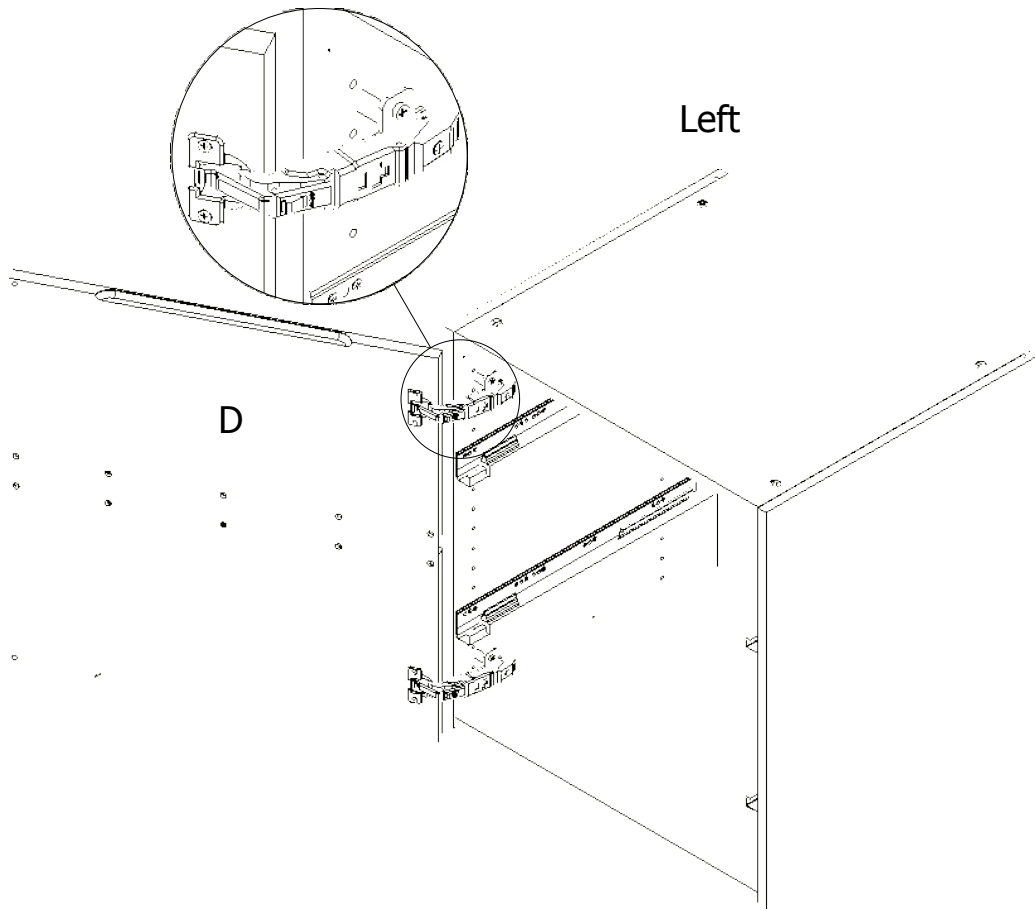


FIG. 12

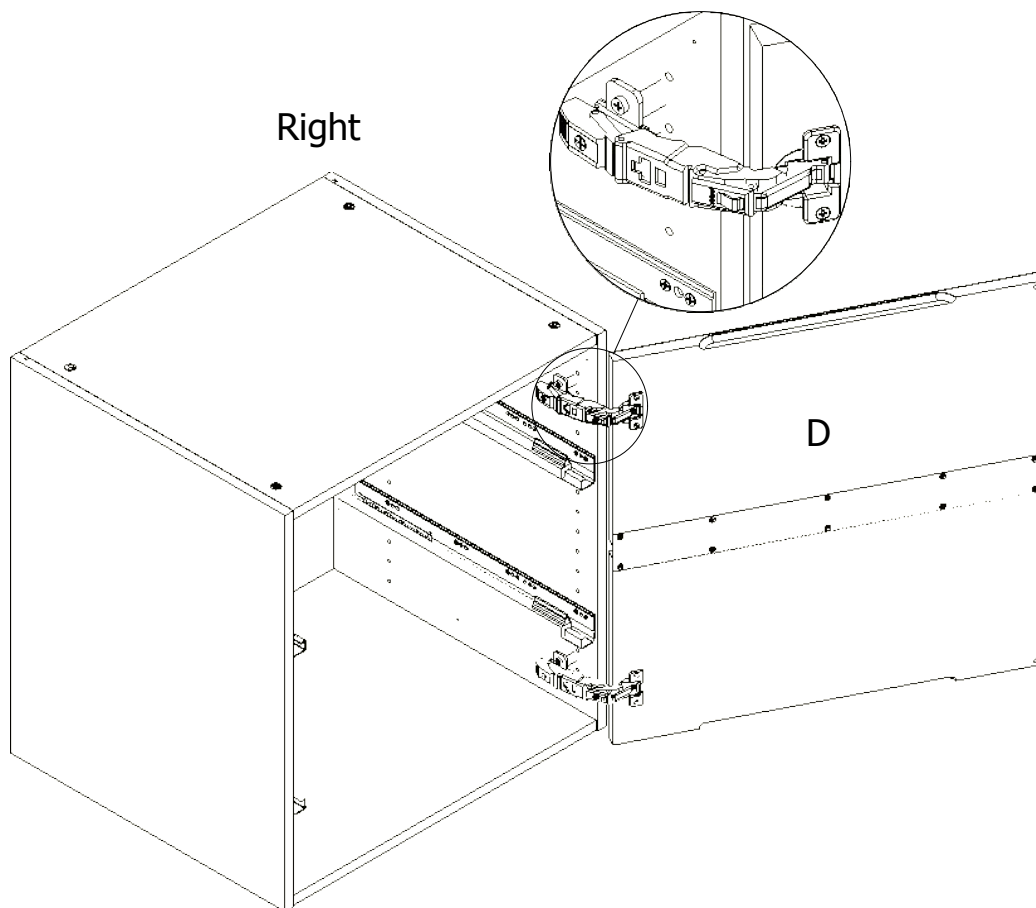


FIG.
13

