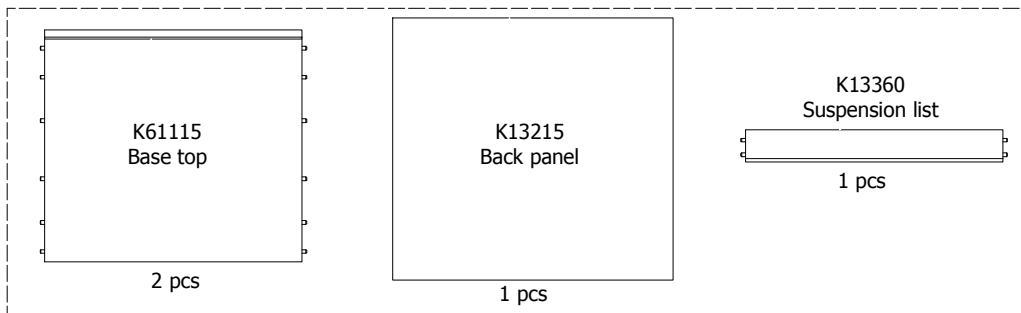


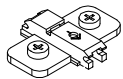
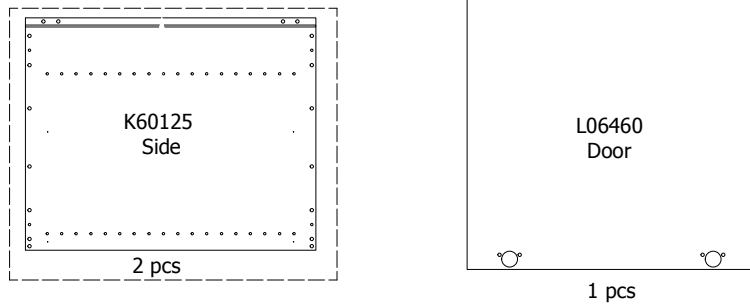
kvik 

DBU6415,060

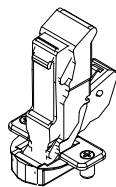
BU5160,000



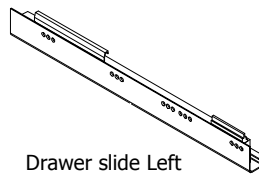
US6451,000



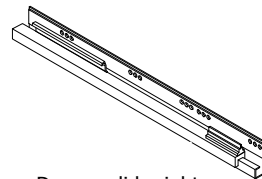
BP00417
Mounting plate
2 pcs



K15355
Hinge 155 degrees
2 pcs



Drawer slide Left
450
2 pcs



Drawer slide right
450
2 pcs

BP00260-BP00250

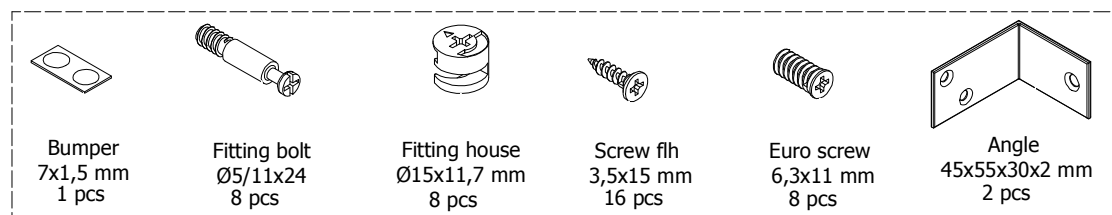


FIG. 1

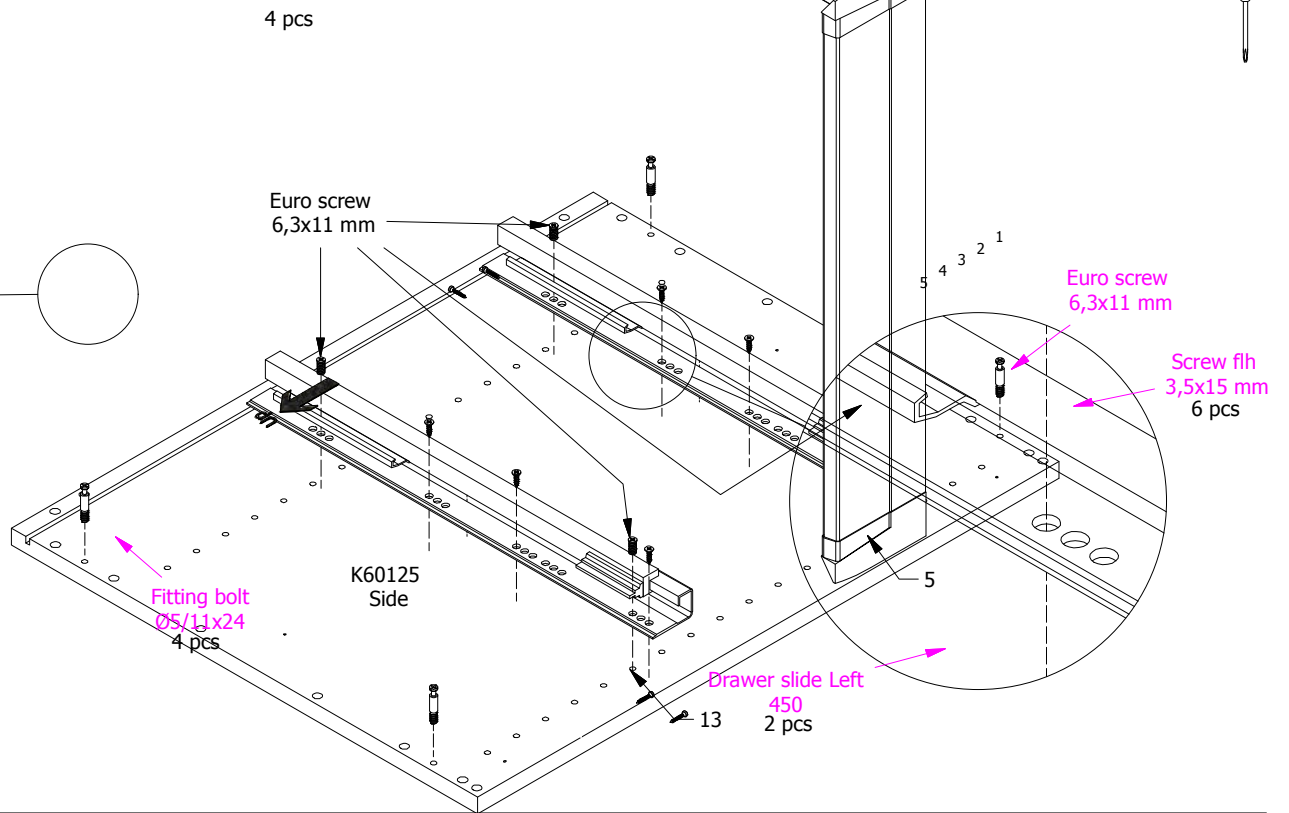


FIG. 2

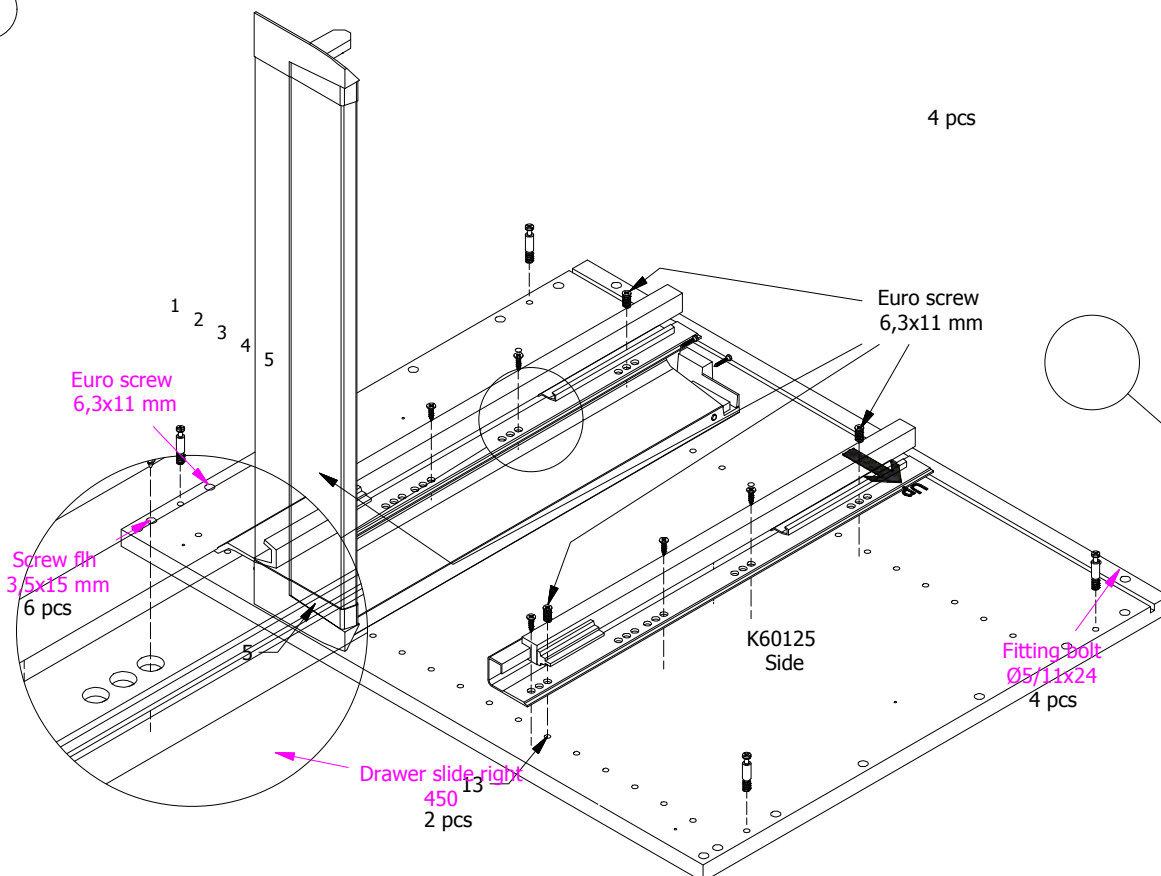


FIG. 3

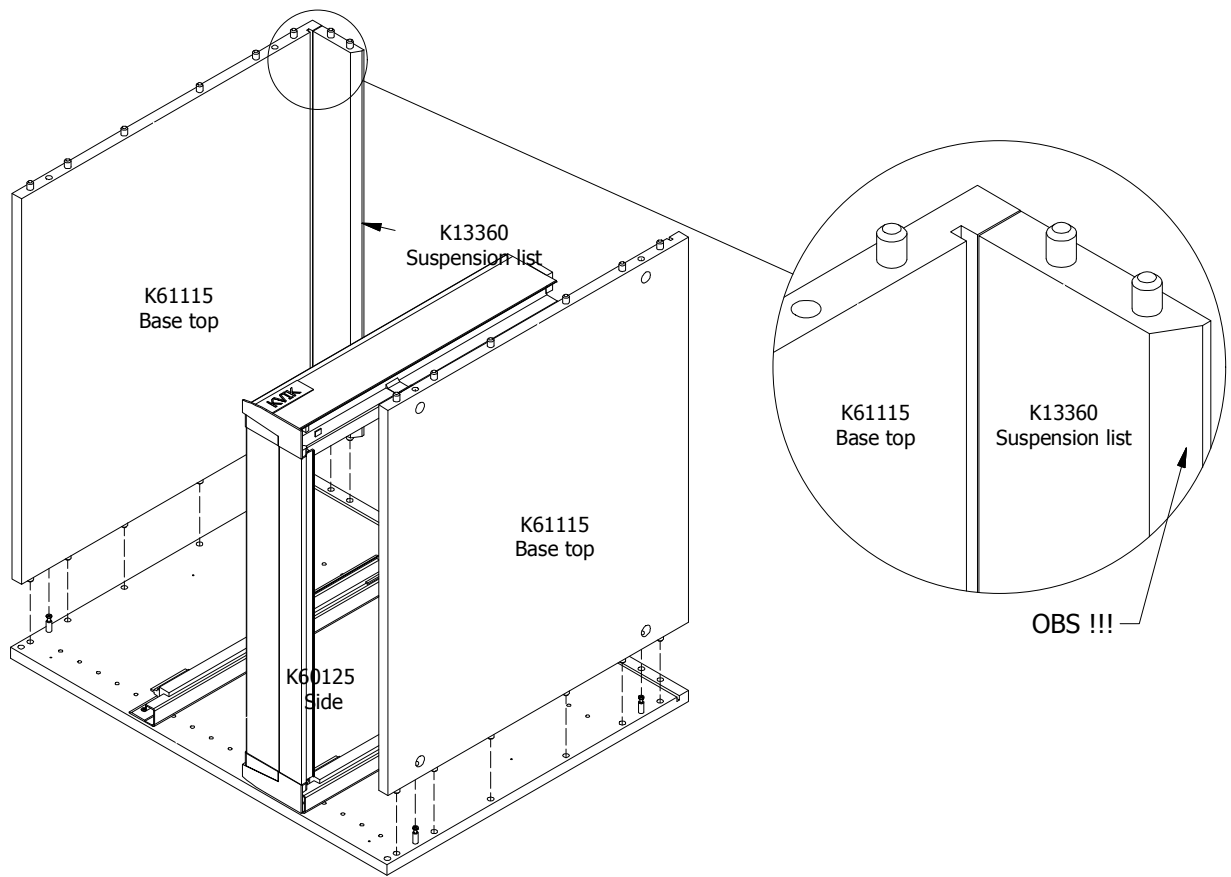


FIG. 4

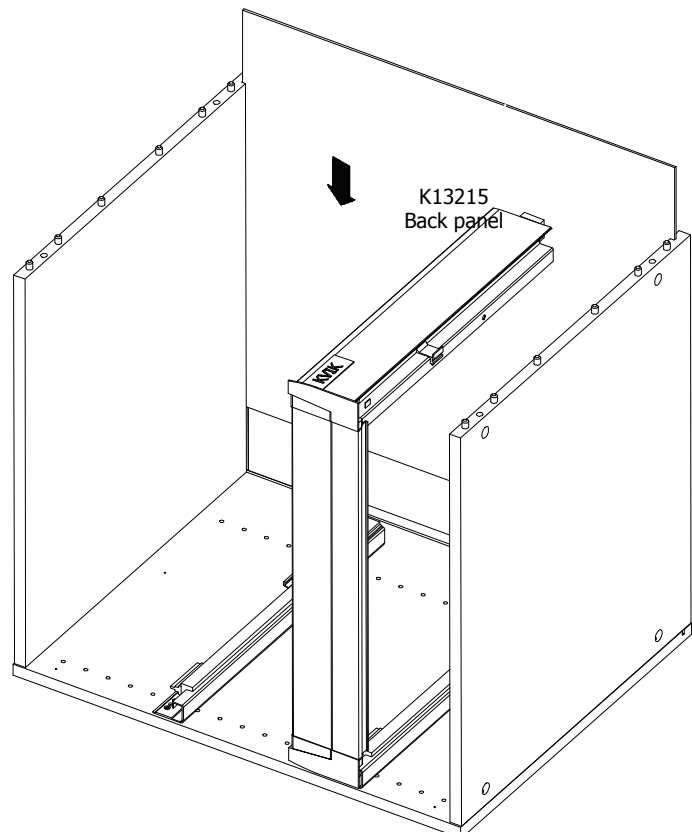


FIG. 5

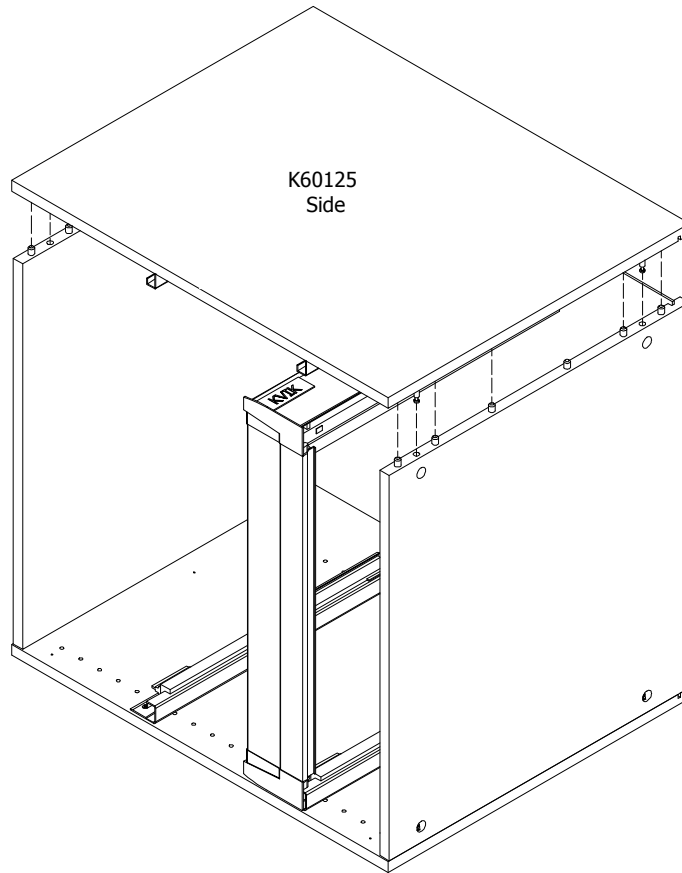


FIG. 6

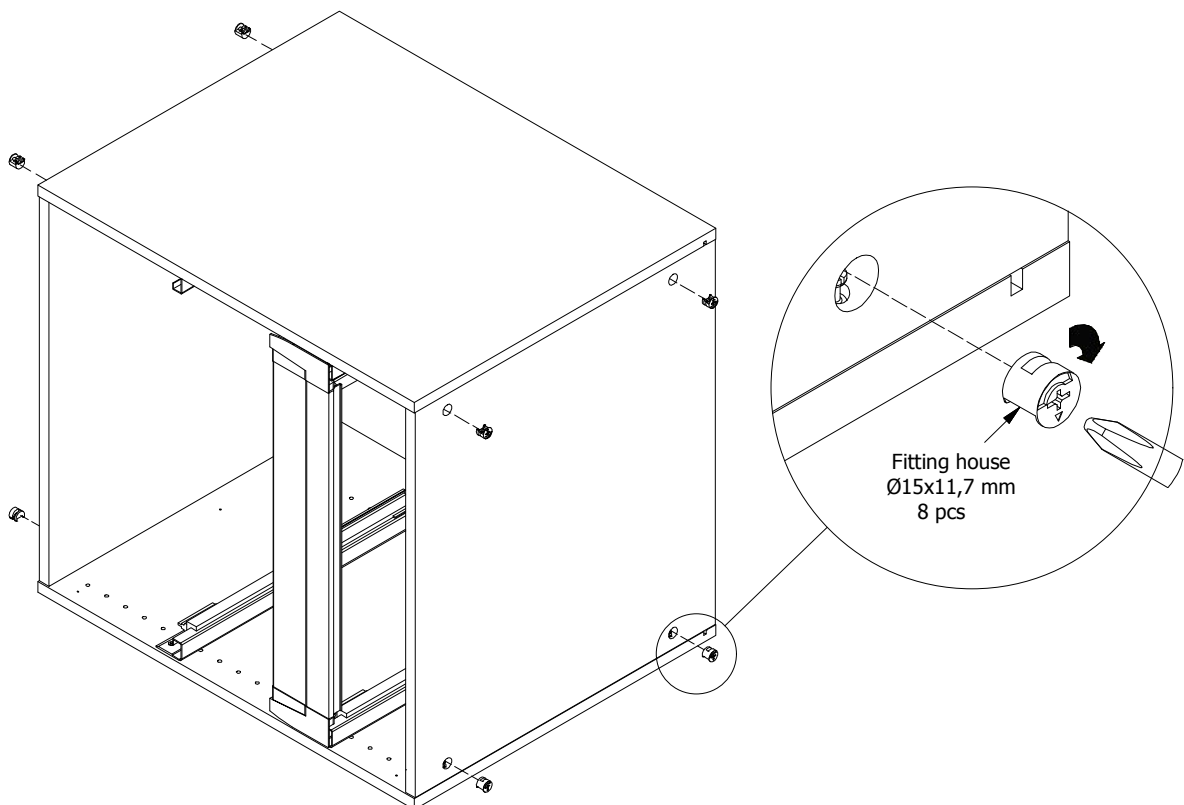


FIG. 7

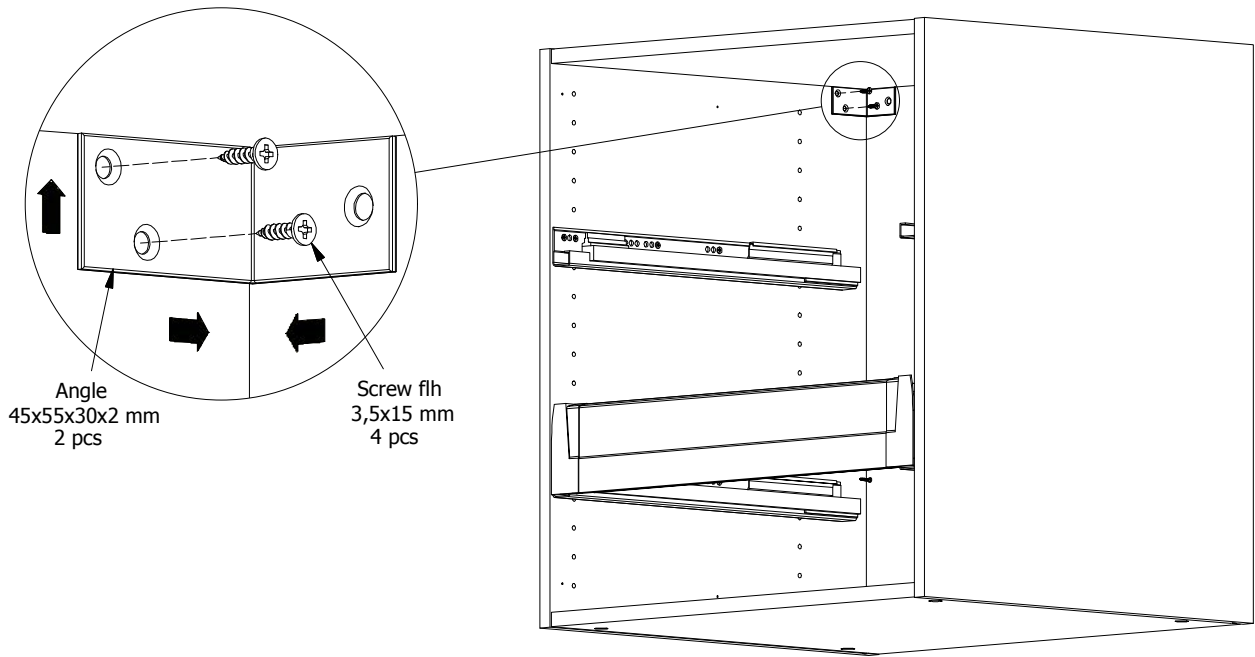


FIG. 8

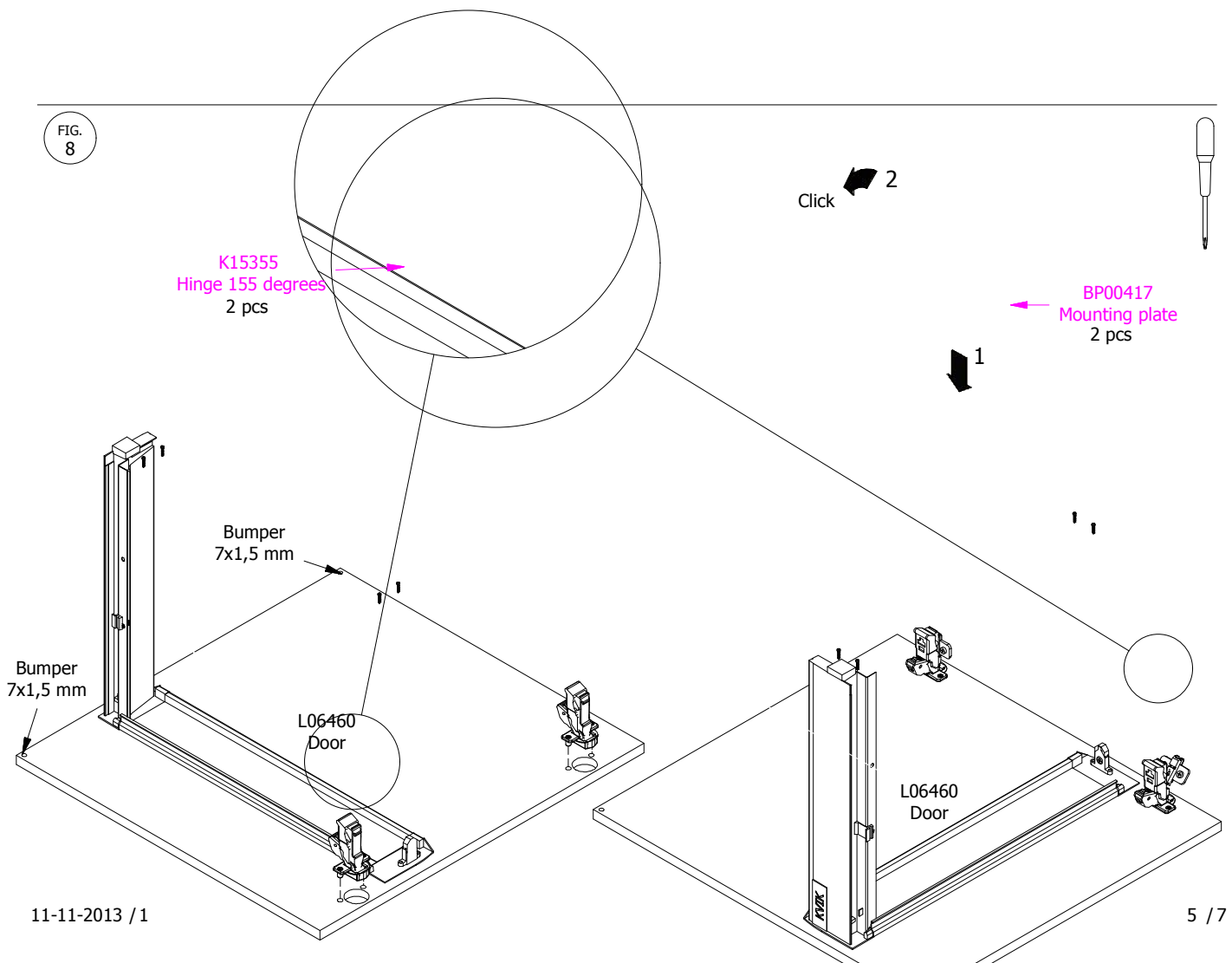


FIG. 9

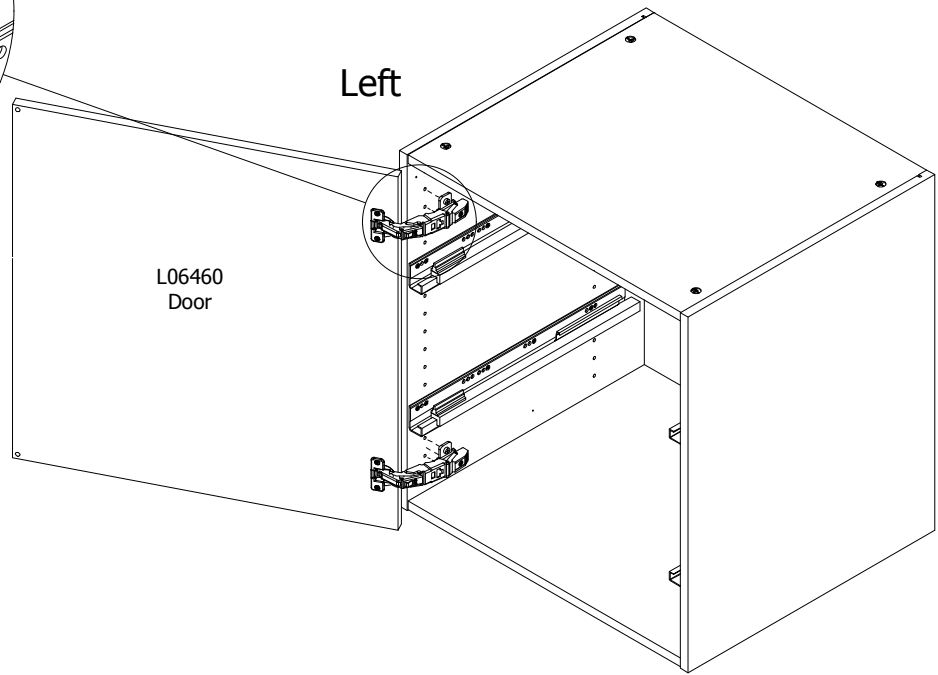
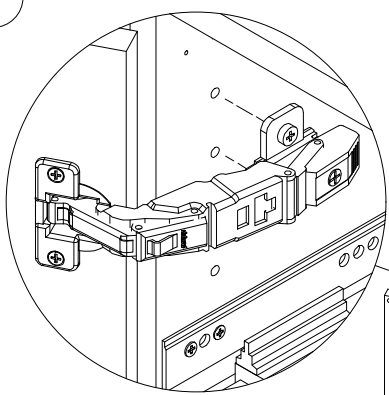


FIG. 10

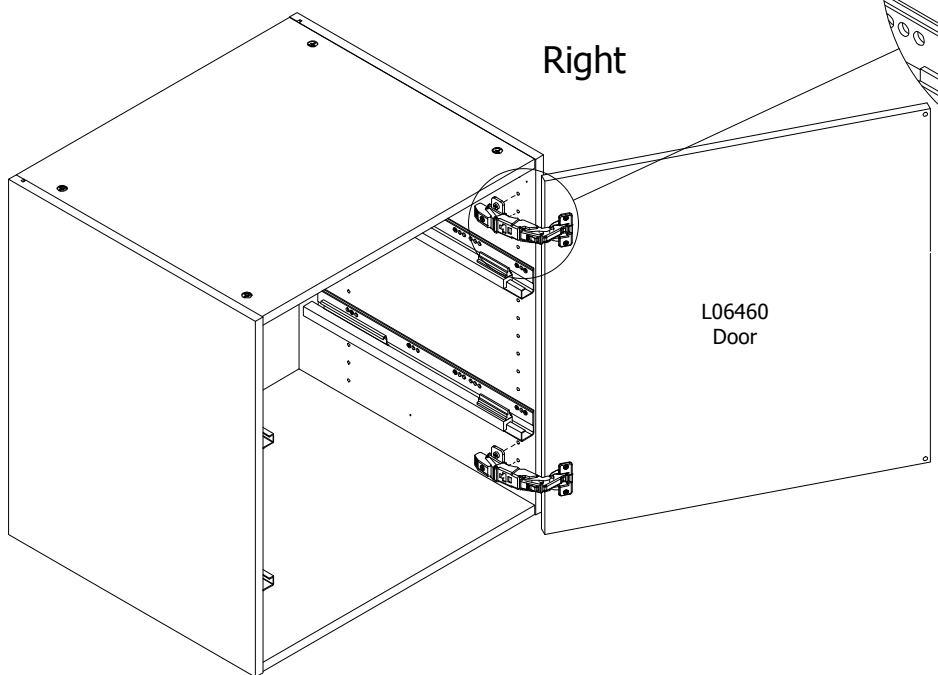
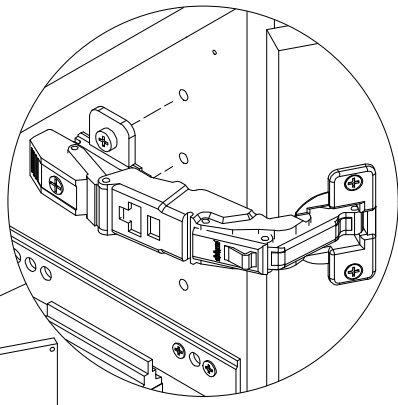
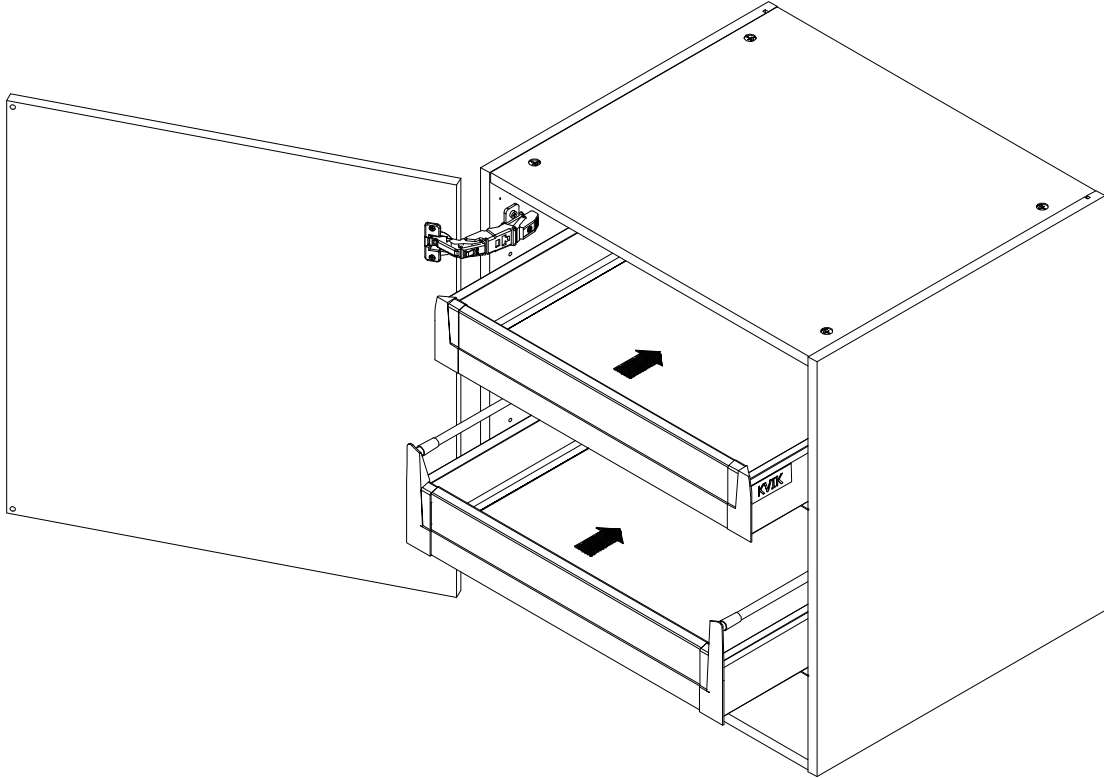


FIG.
11



Adjustment

