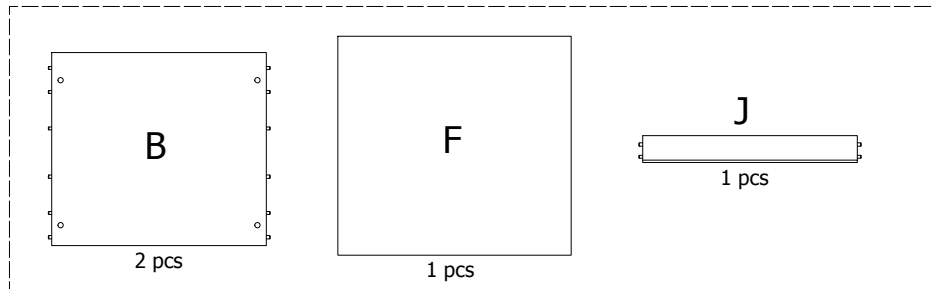


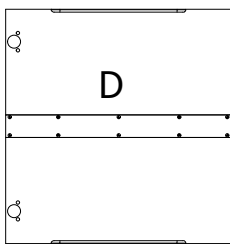
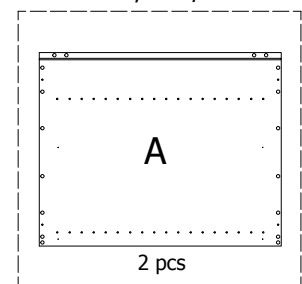
**kvik** 

**MDBU6414,060-040**

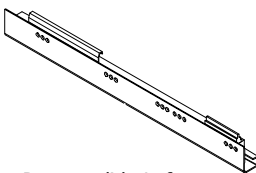
**BU5160(/40),000 / 176**



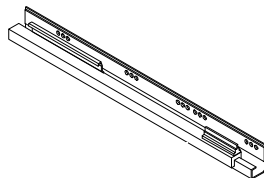
**US6451,000 / KVIK**



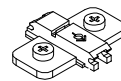
1 pcs



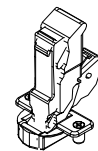
Drawer slide Left  
450  
2 pcs



Drawer slide right  
450  
2 pcs

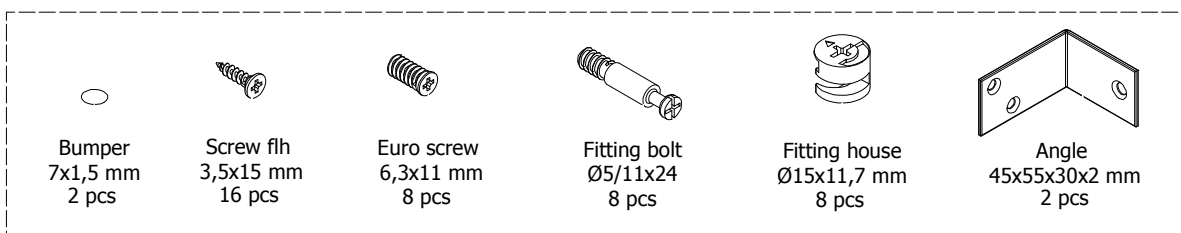


BP00417  
Mounting plate  
2 pcs



K15355  
Hinge 155 degrees  
2 pcs

**BP00260-BP00250**



Bumper  
7x1,5 mm  
2 pcs

Screw flh  
3,5x15 mm  
16 pcs

Euro screw  
6,3x11 mm  
8 pcs

Fitting bolt  
Ø5/11x24  
8 pcs

Fitting house  
Ø15x11,7 mm  
8 pcs

Angle  
45x55x30x2 mm  
2 pcs

FIG. 1

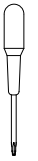
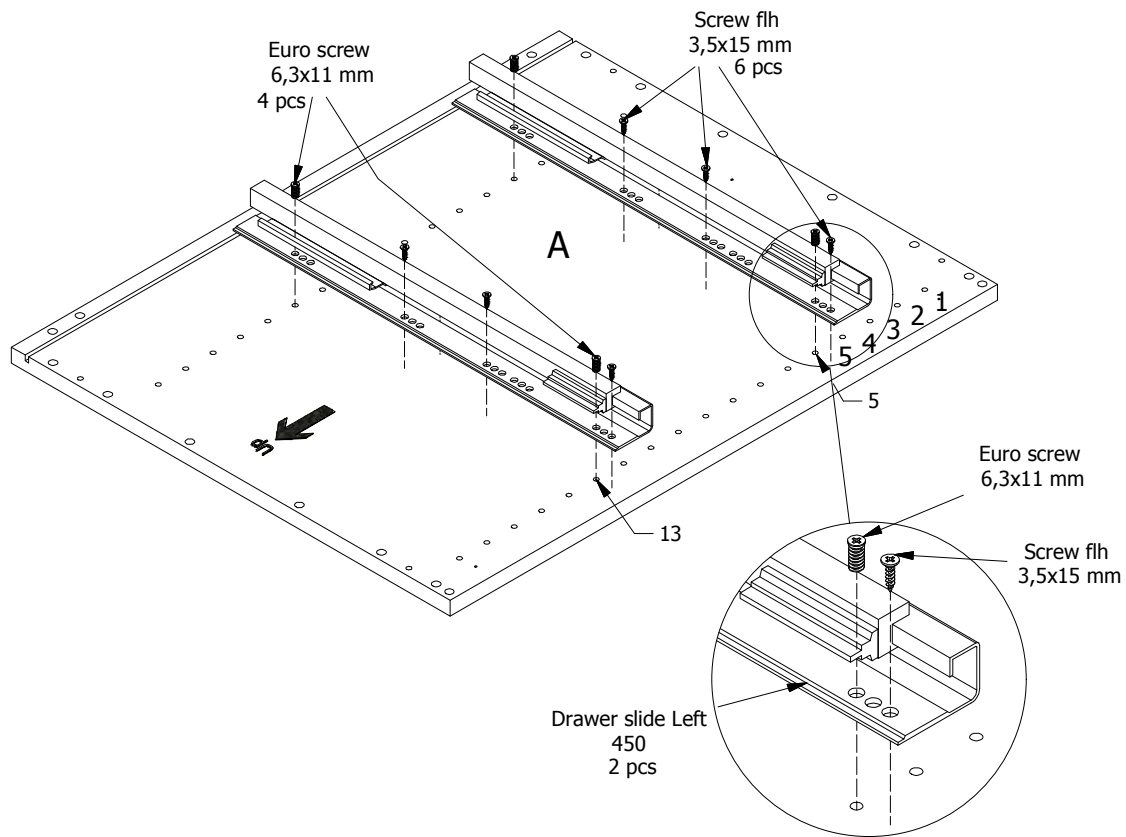


FIG. 2

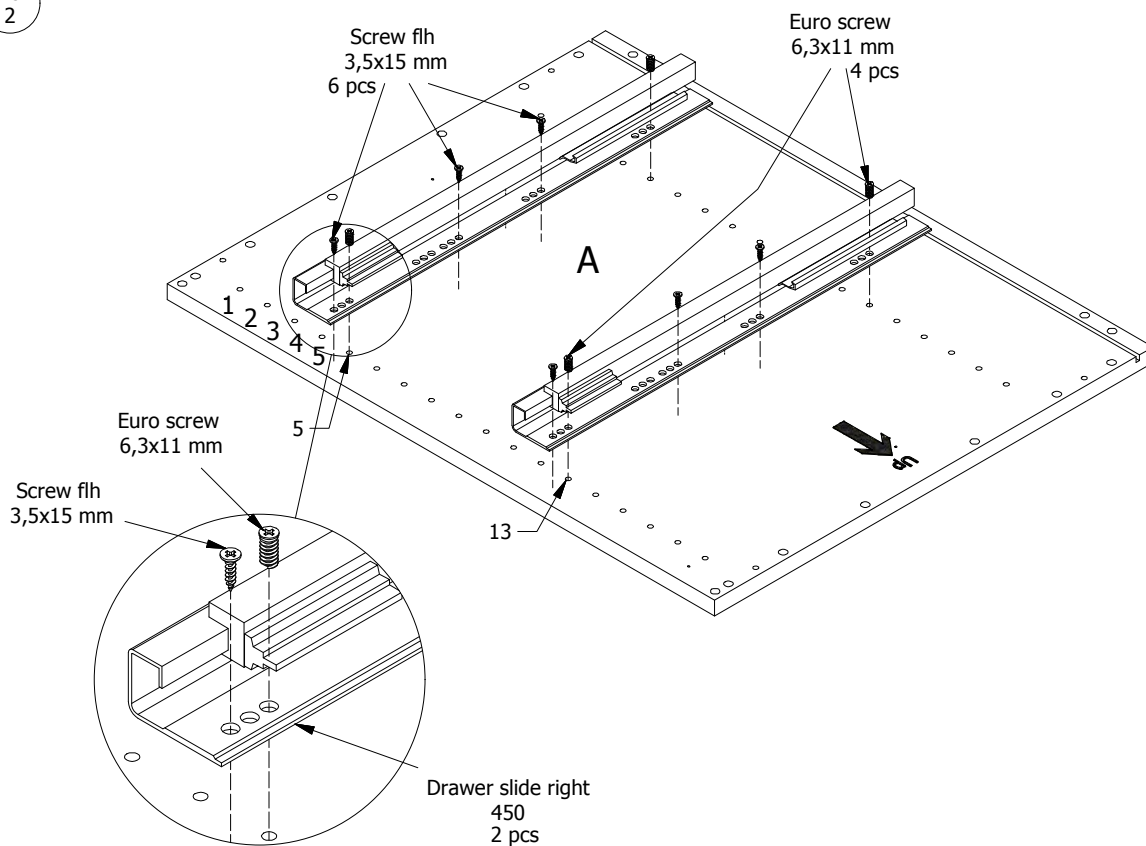


FIG. 3

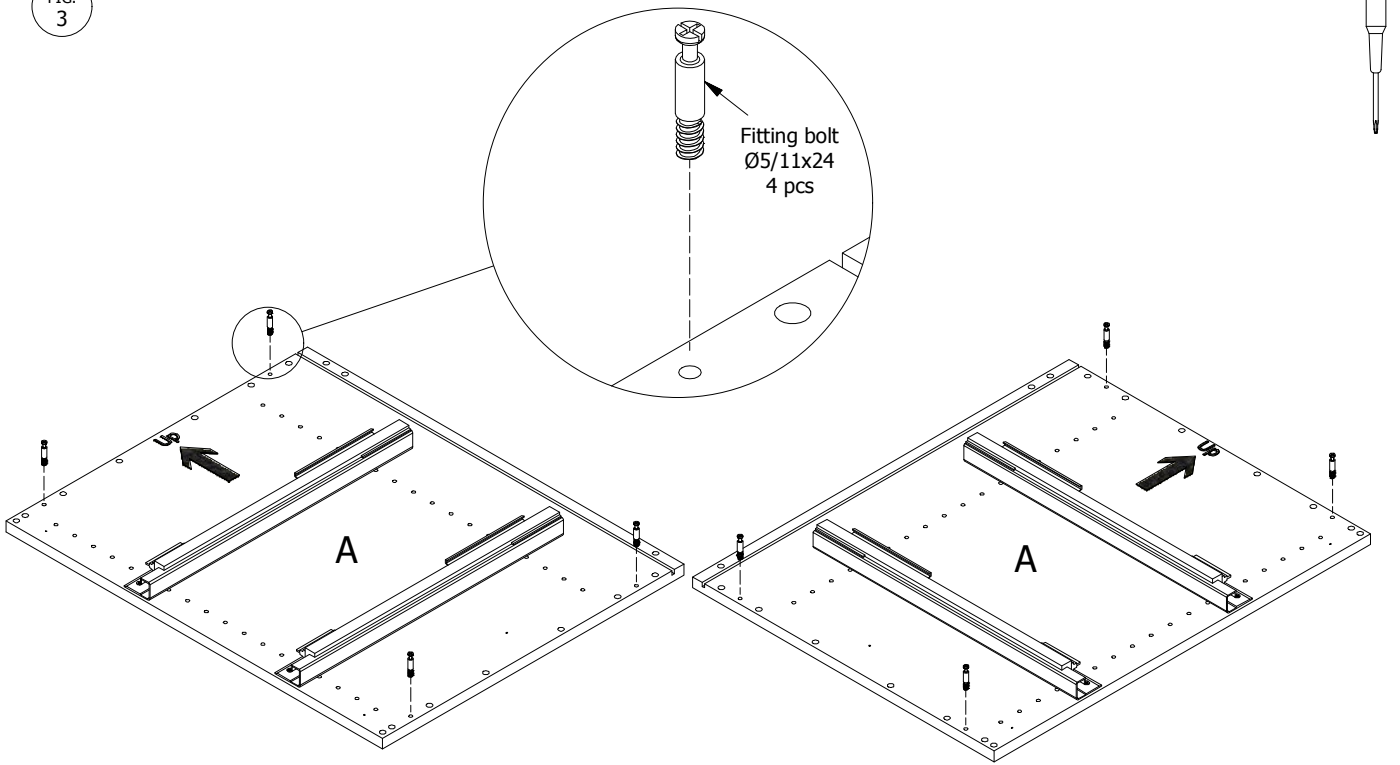


FIG. 4

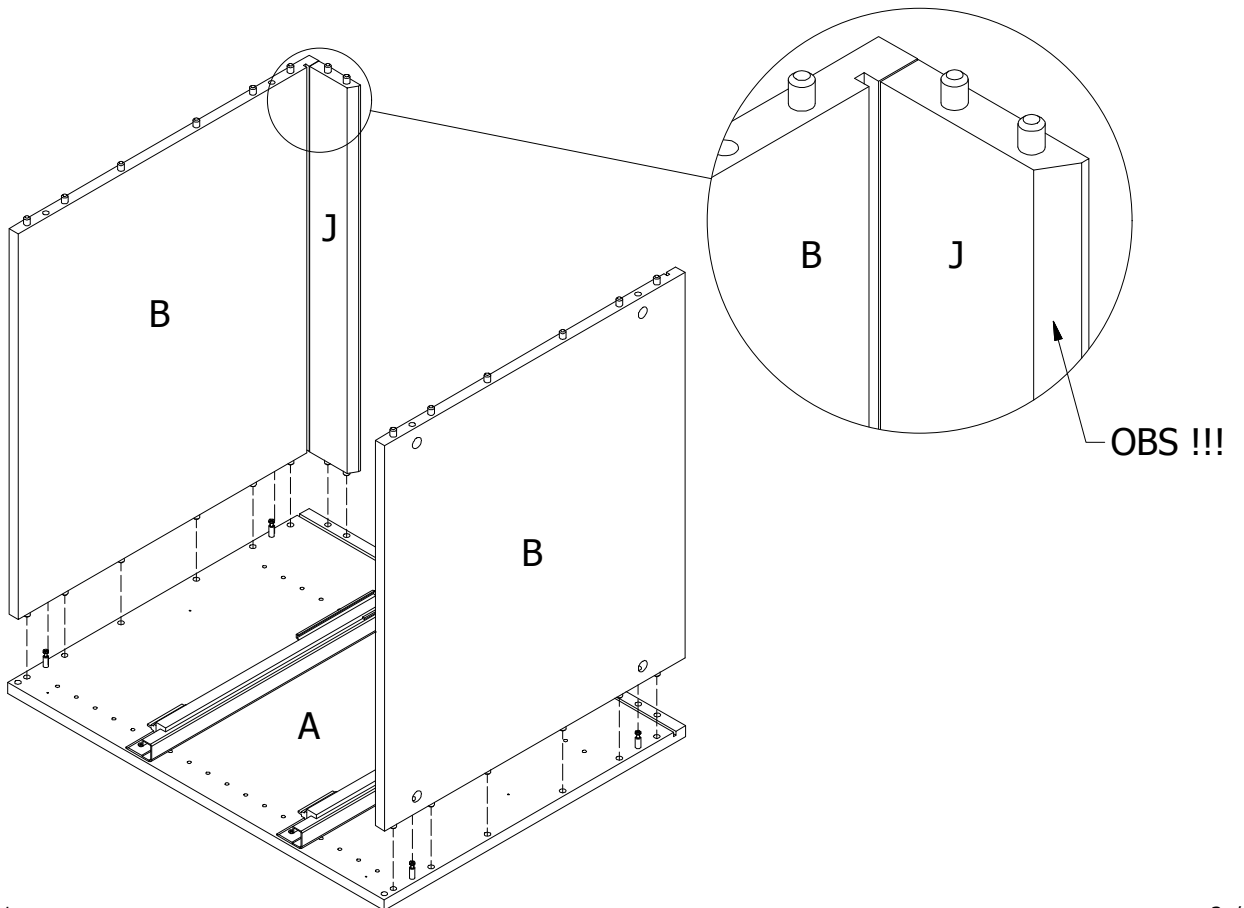


FIG.  
5

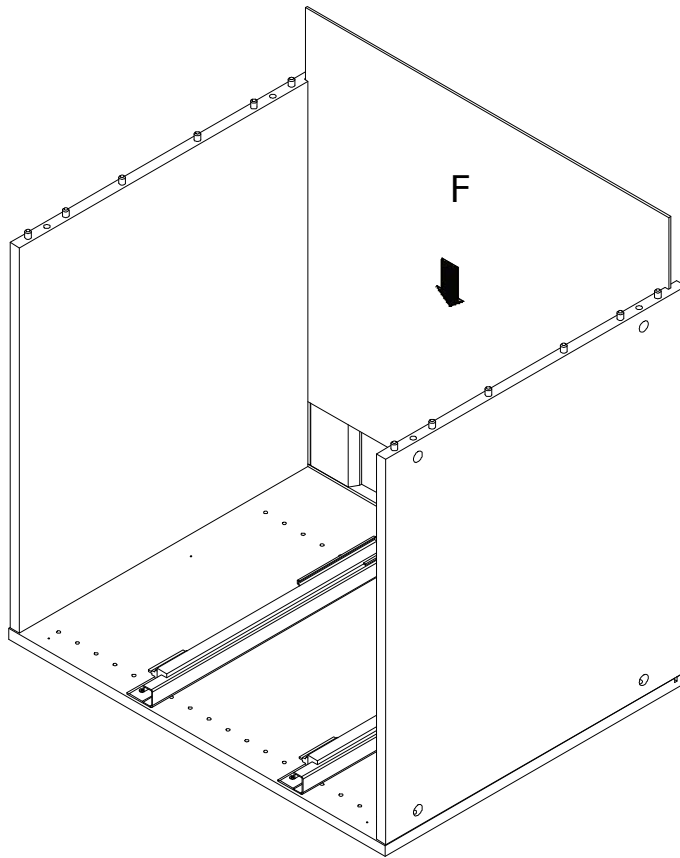


FIG.  
6

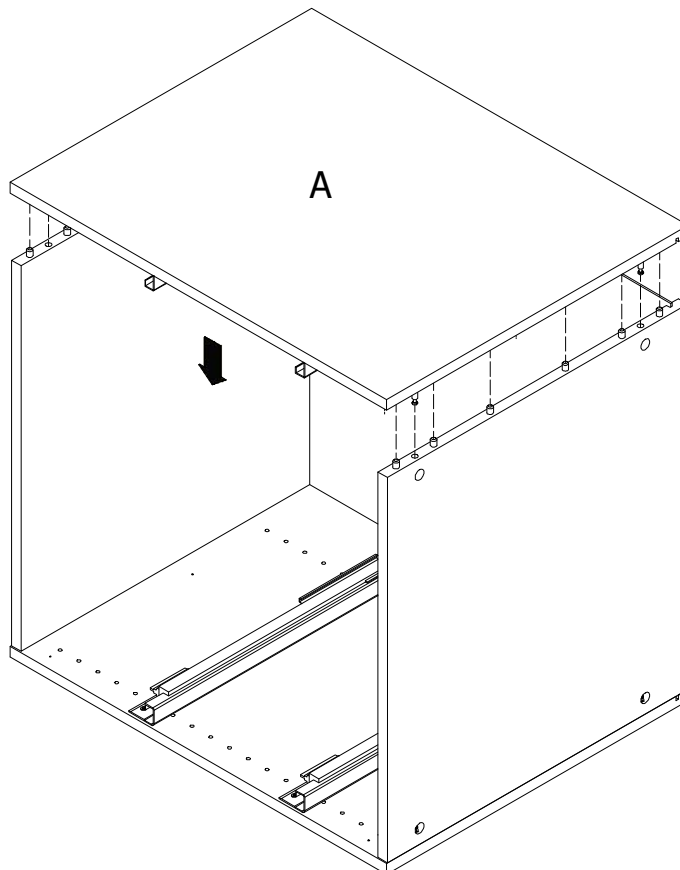


FIG. 7

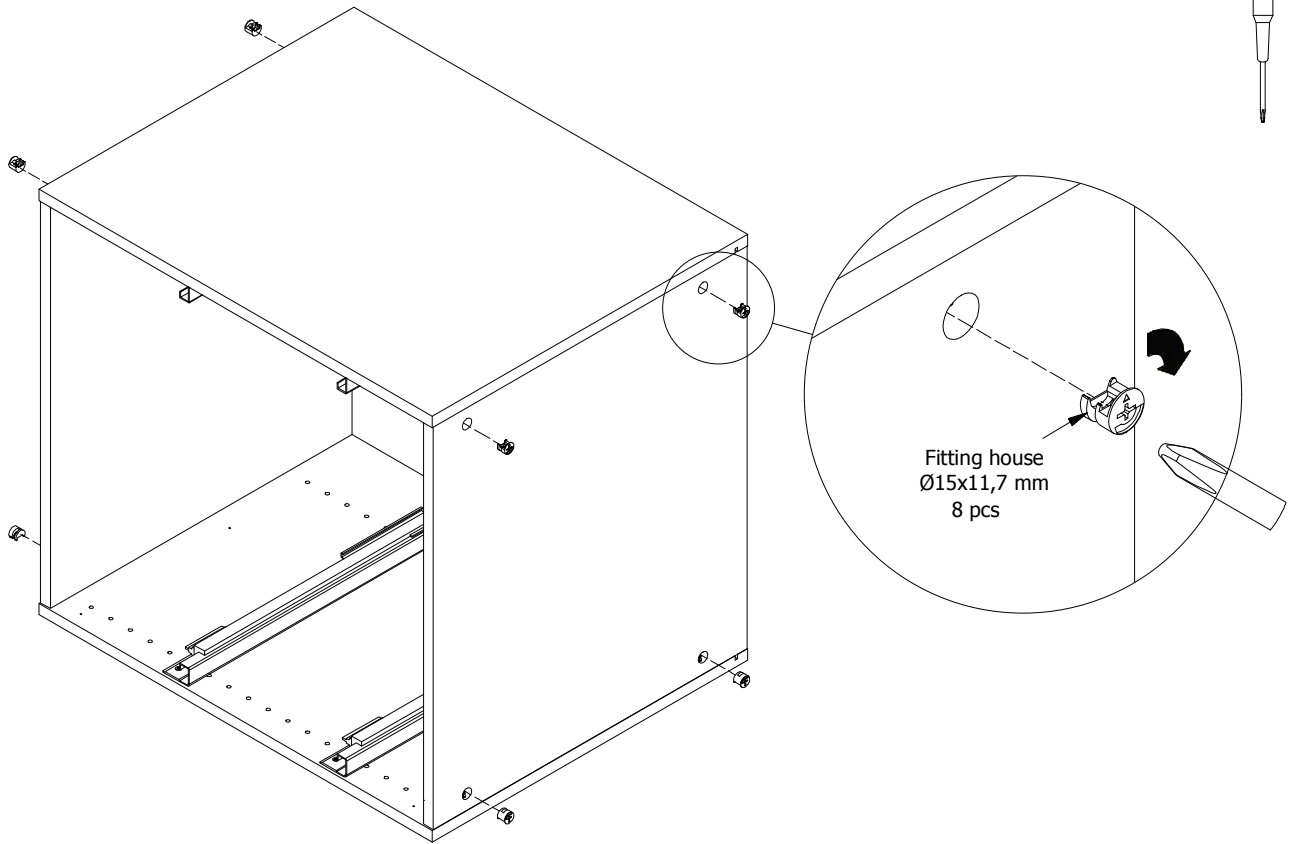


FIG. 8

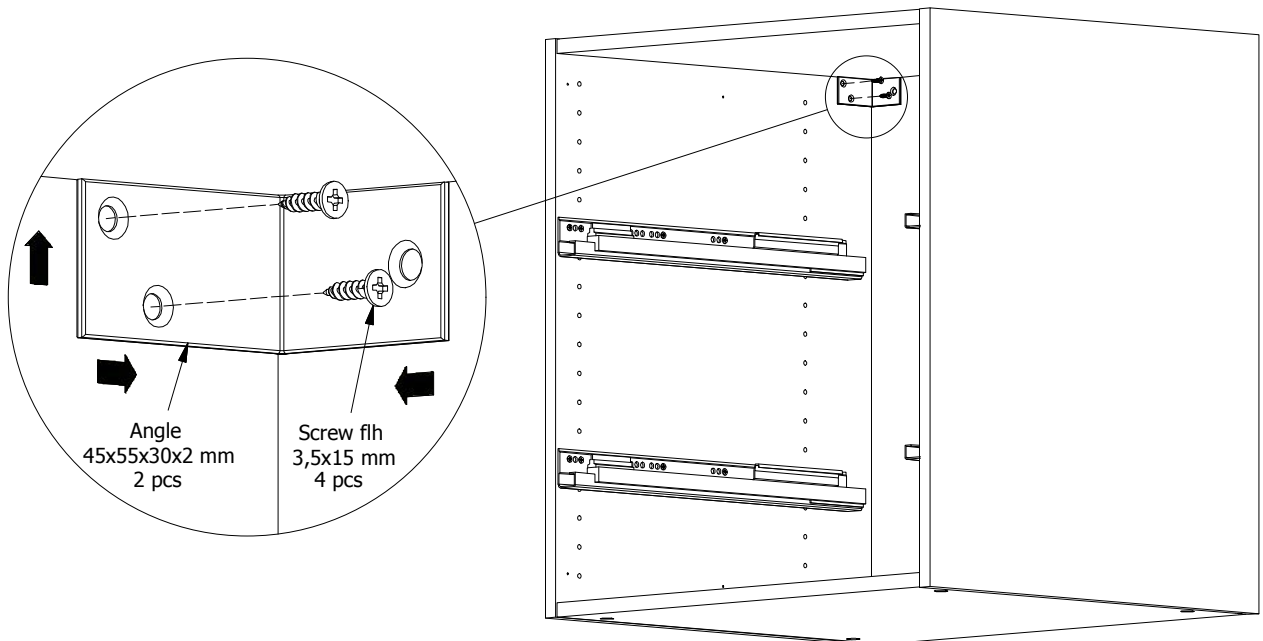


FIG. 9

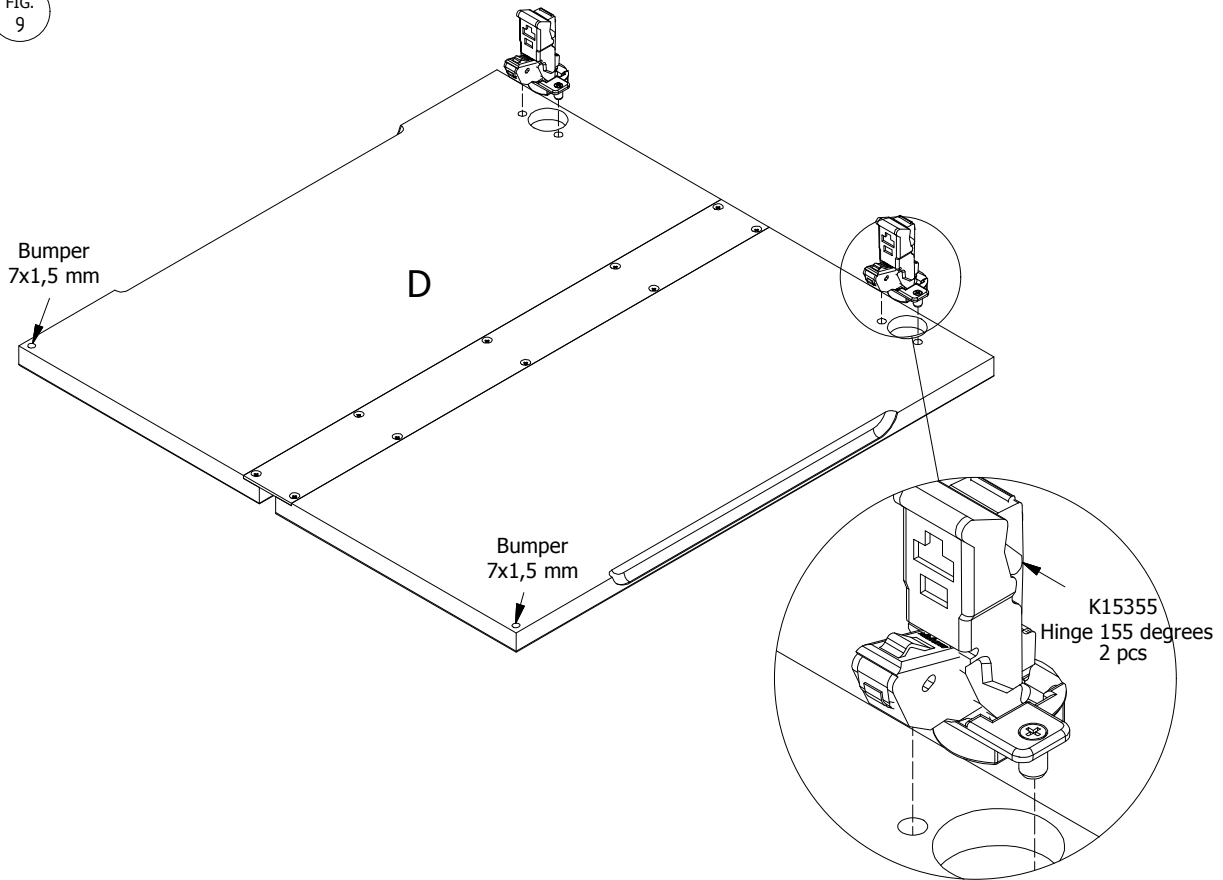


FIG. 10

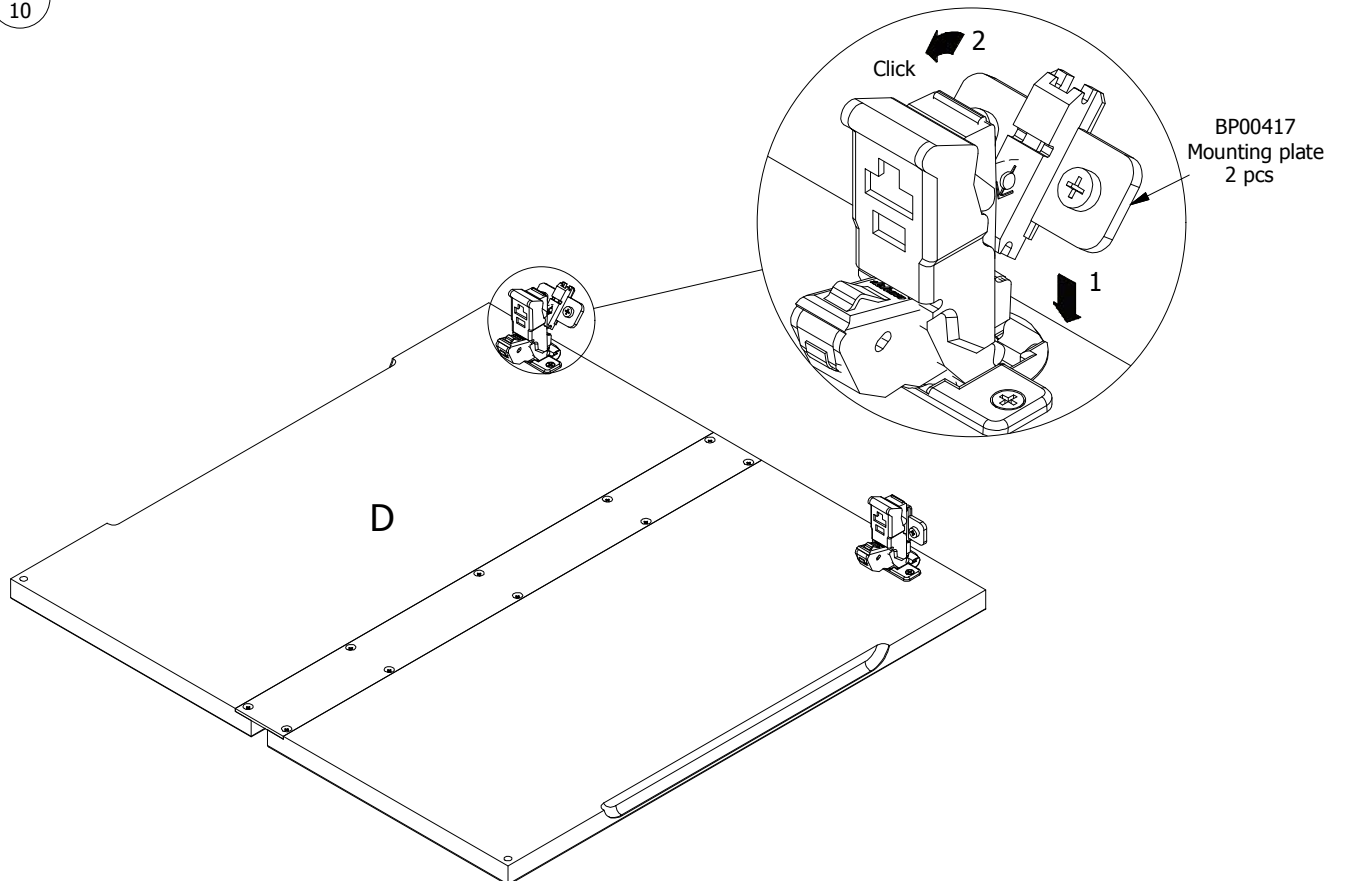


FIG. 11

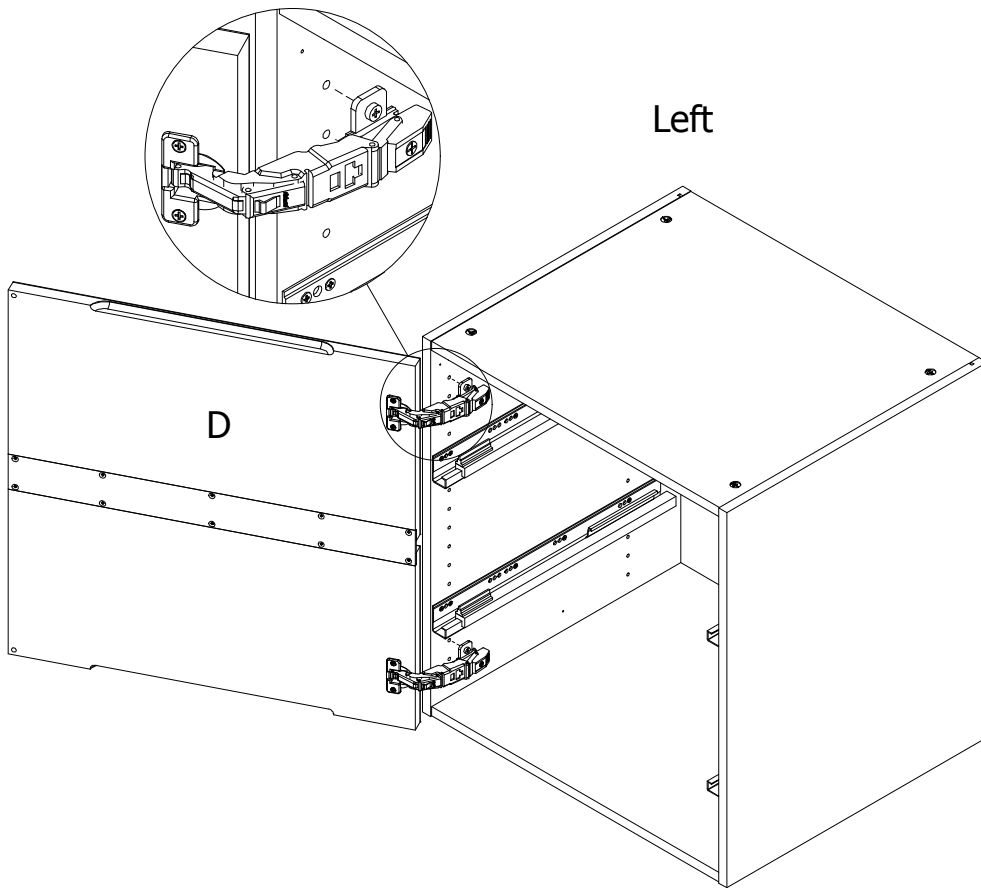
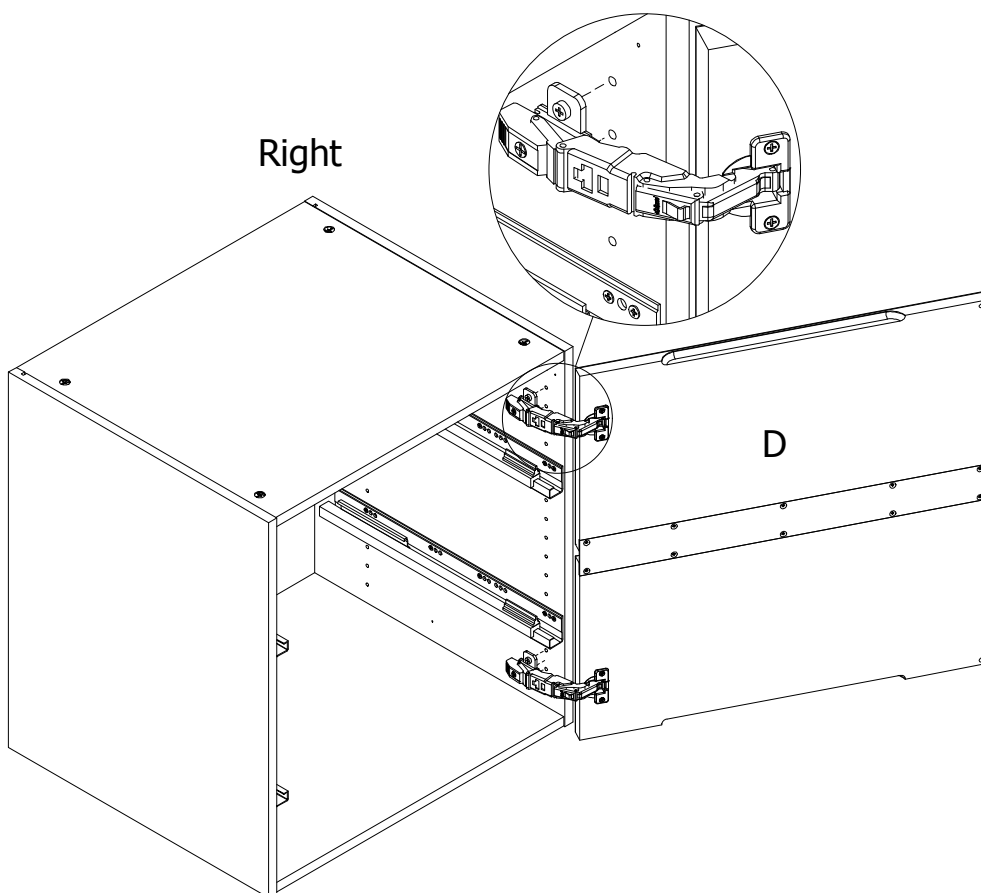


FIG. 12



# Adjustment

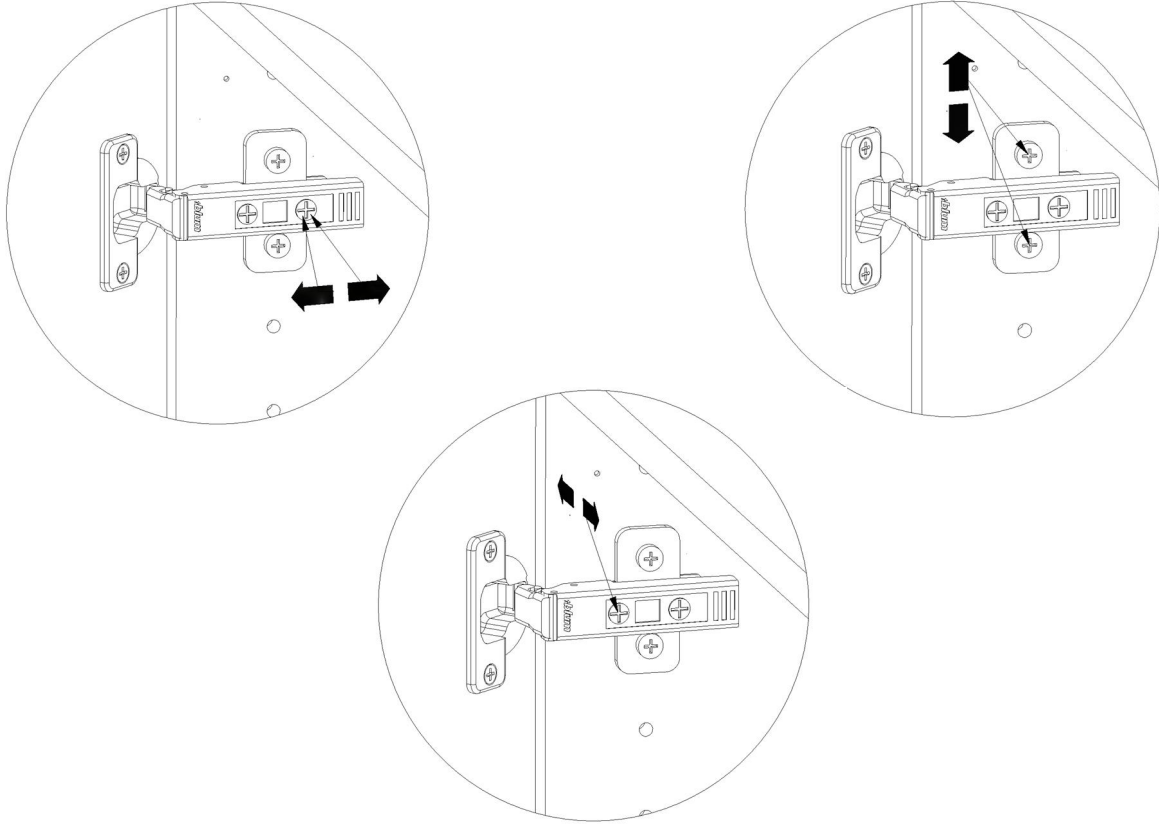


FIG. 13

