

**kvik**

**DBU6405**

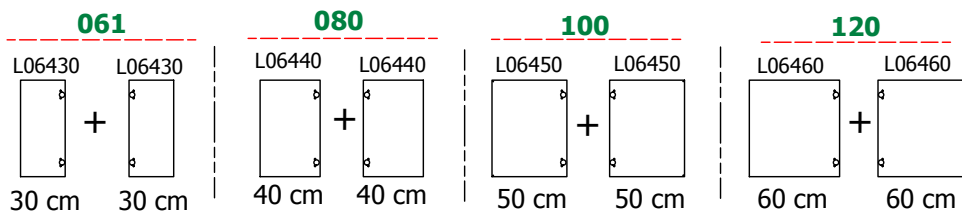


Check out easy  
mounting of you bath

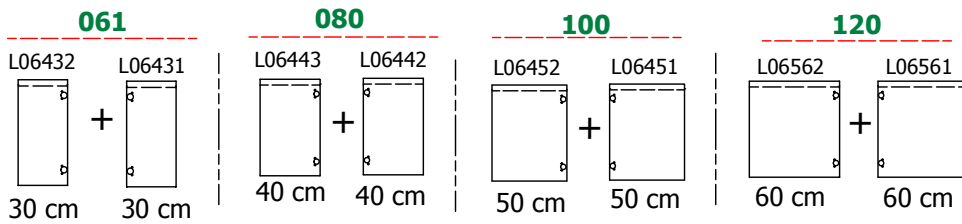


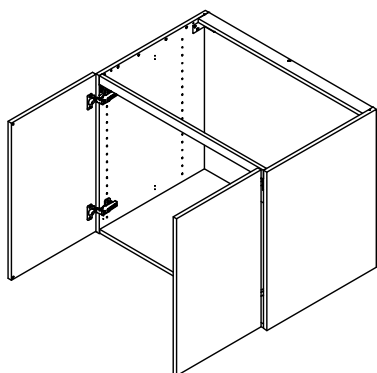
Sink cut out

Front without integrated handle



Front with integrated handle





**kvik**

**DBU6405**

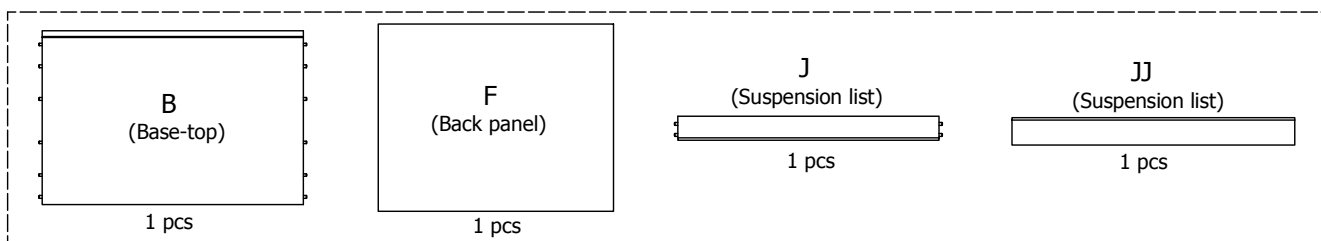


Check out easy  
mounting of you bath

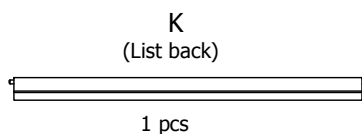
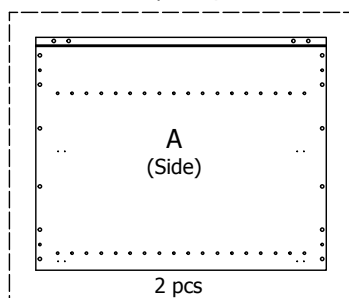


Sink cut out

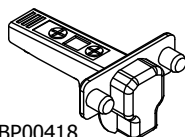
BU51\*\*,000 / 176



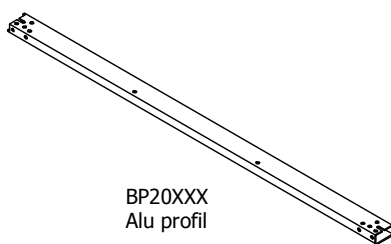
US6451,000 / KVIK



BP00417  
Mounting plate  
4 pcs



BP00418  
Hinge 107 degrees  
4 pcs

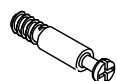


BP20XXX  
Alu profil  
1 pcs

BP00265-BP00250-BP00340



Bumper  
7x1,5 mm  
2 pcs



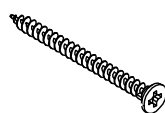
Fitting bolt  
Ø5/11x24  
4 pcs



Fitting house  
Ø15x11,7 mm  
4 pcs



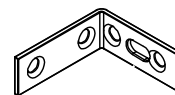
Screw flh  
3,5x15 mm  
8 pcs



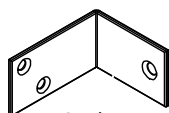
Screw flh  
3,5x45 mm  
1 pcs



Euro screw  
6,3x11 mm  
4 pcs



Angle  
46x43 mm  
2 pcs



Angle  
45x55x30x2 mm  
2 pcs

FIG. 1

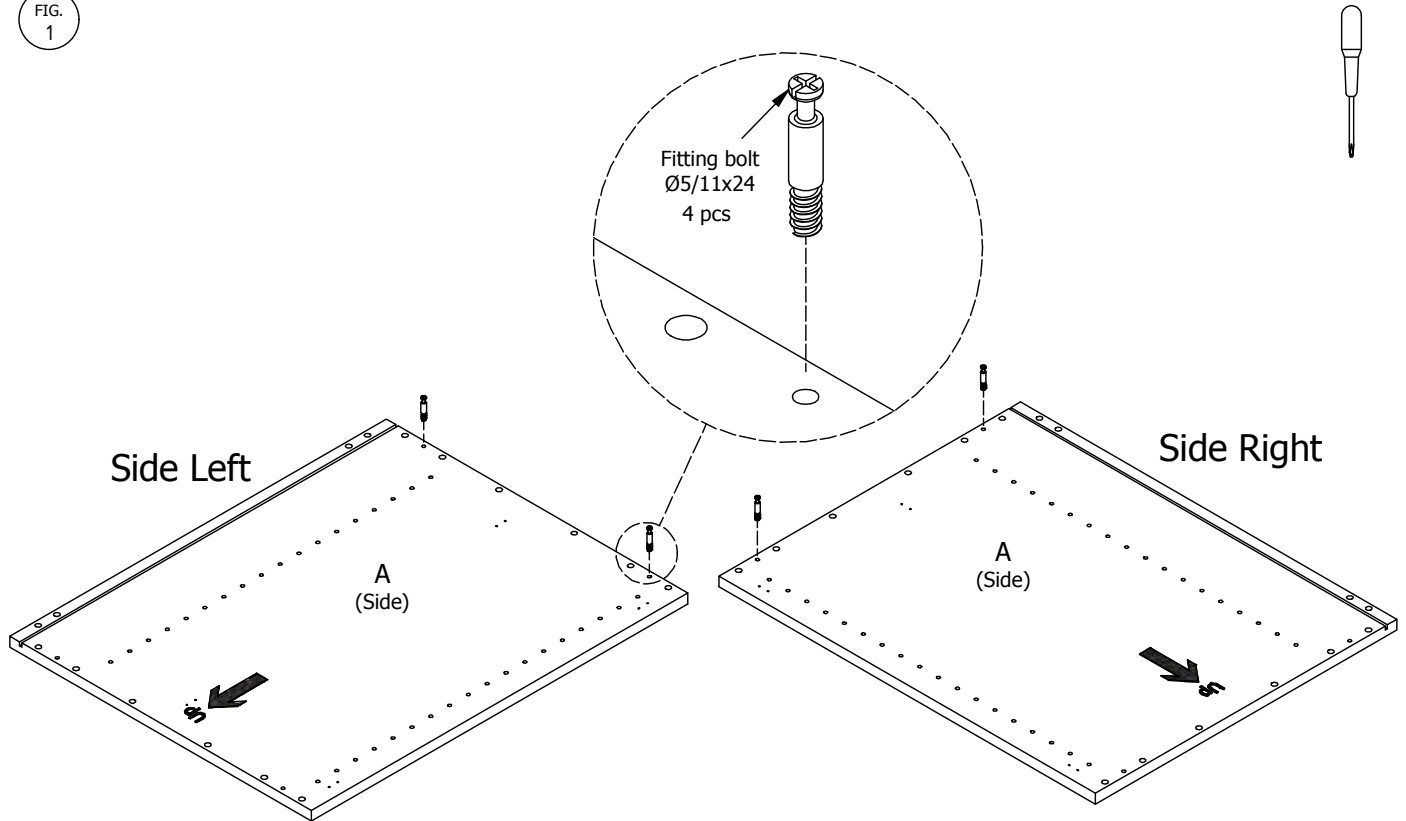


FIG. 2

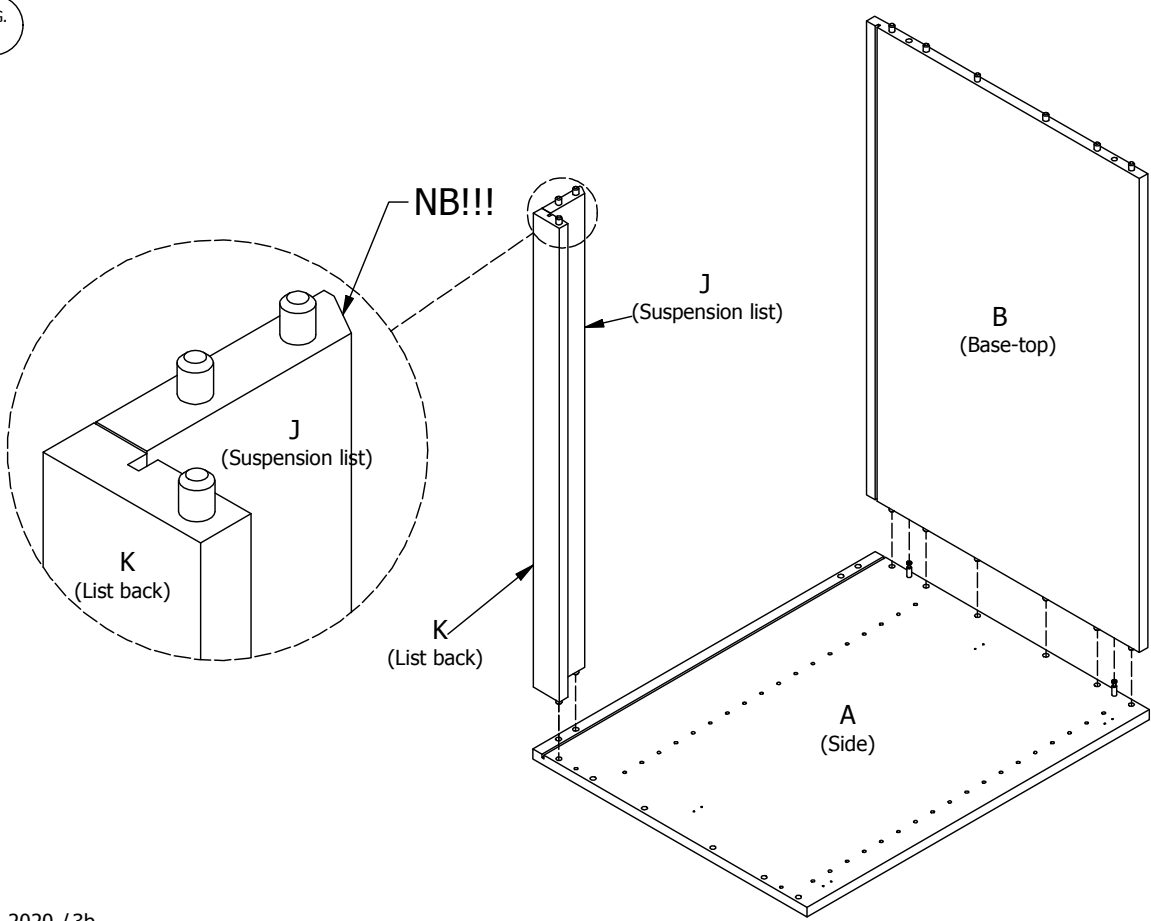


FIG.  
3

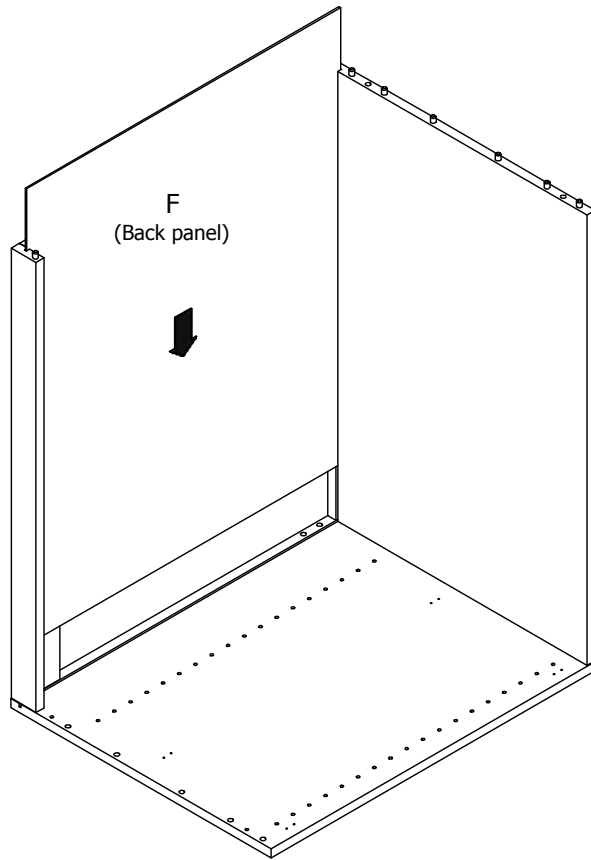


FIG.  
4

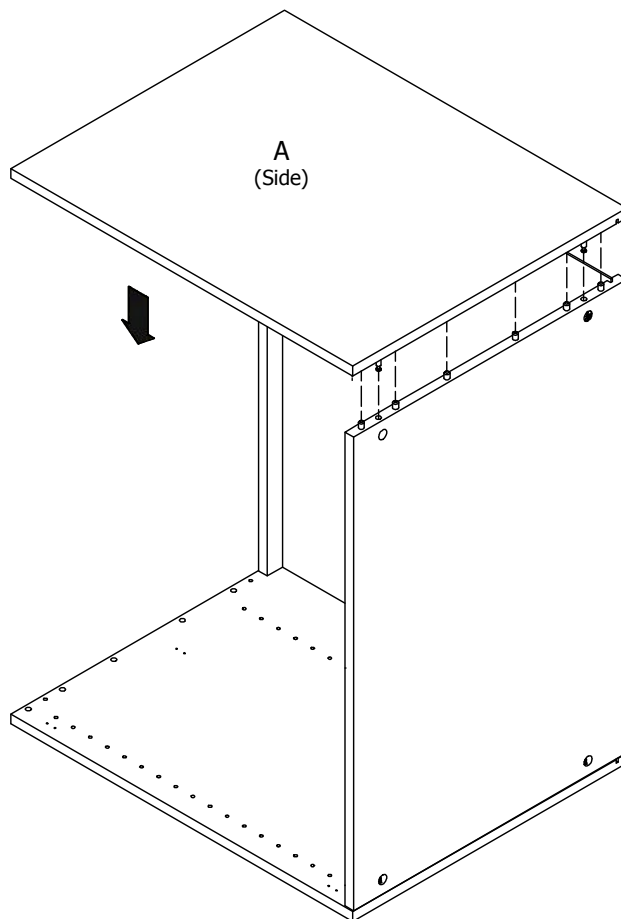


FIG. 5

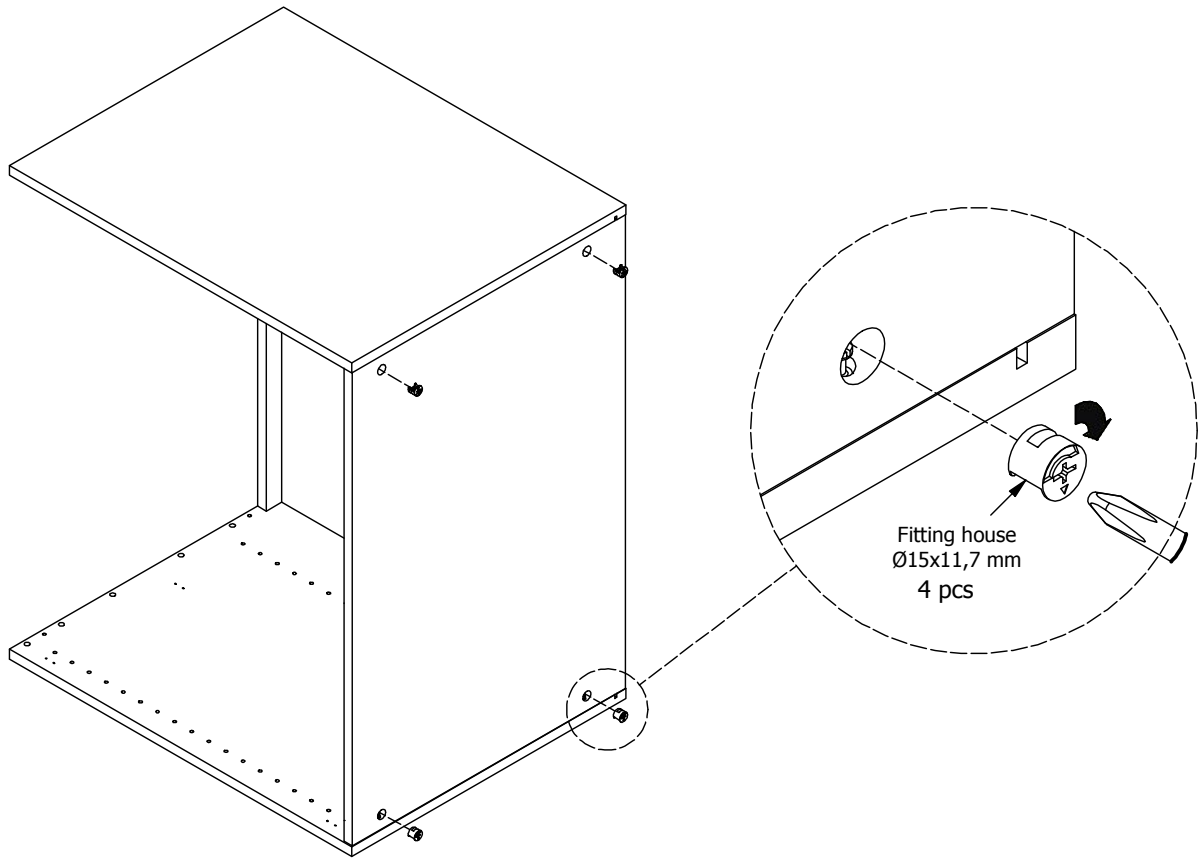


FIG. 6

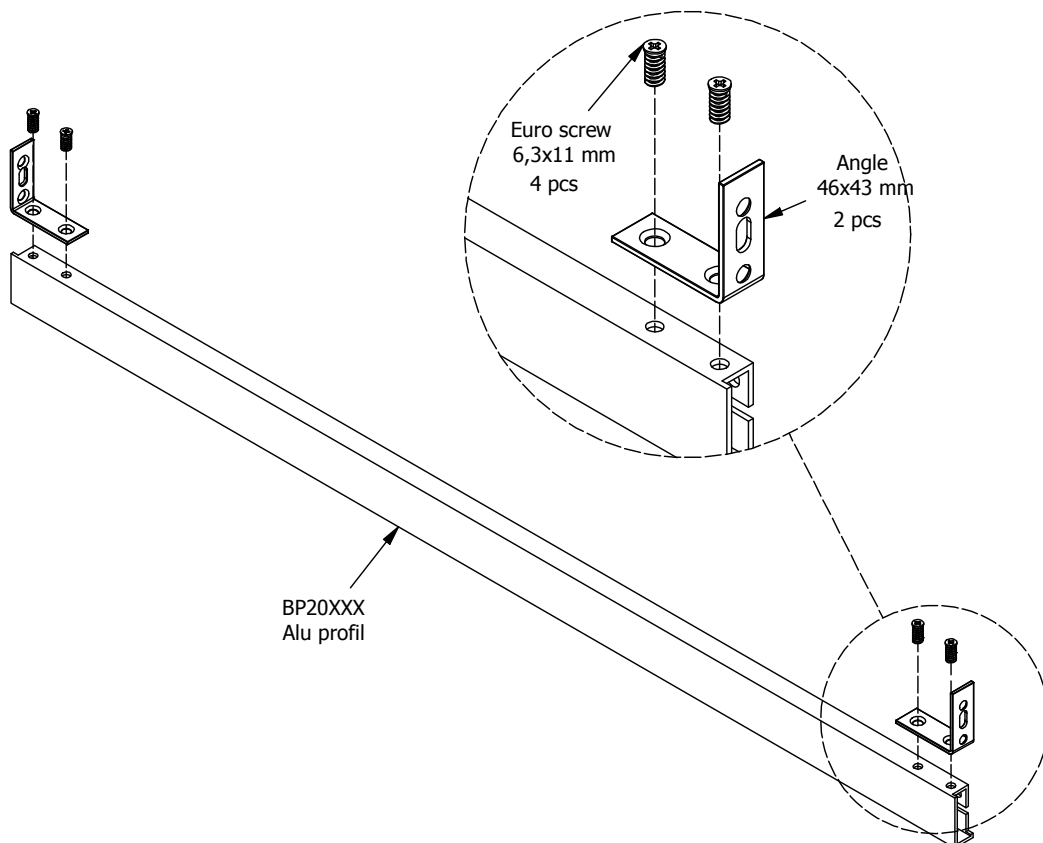


FIG. 7

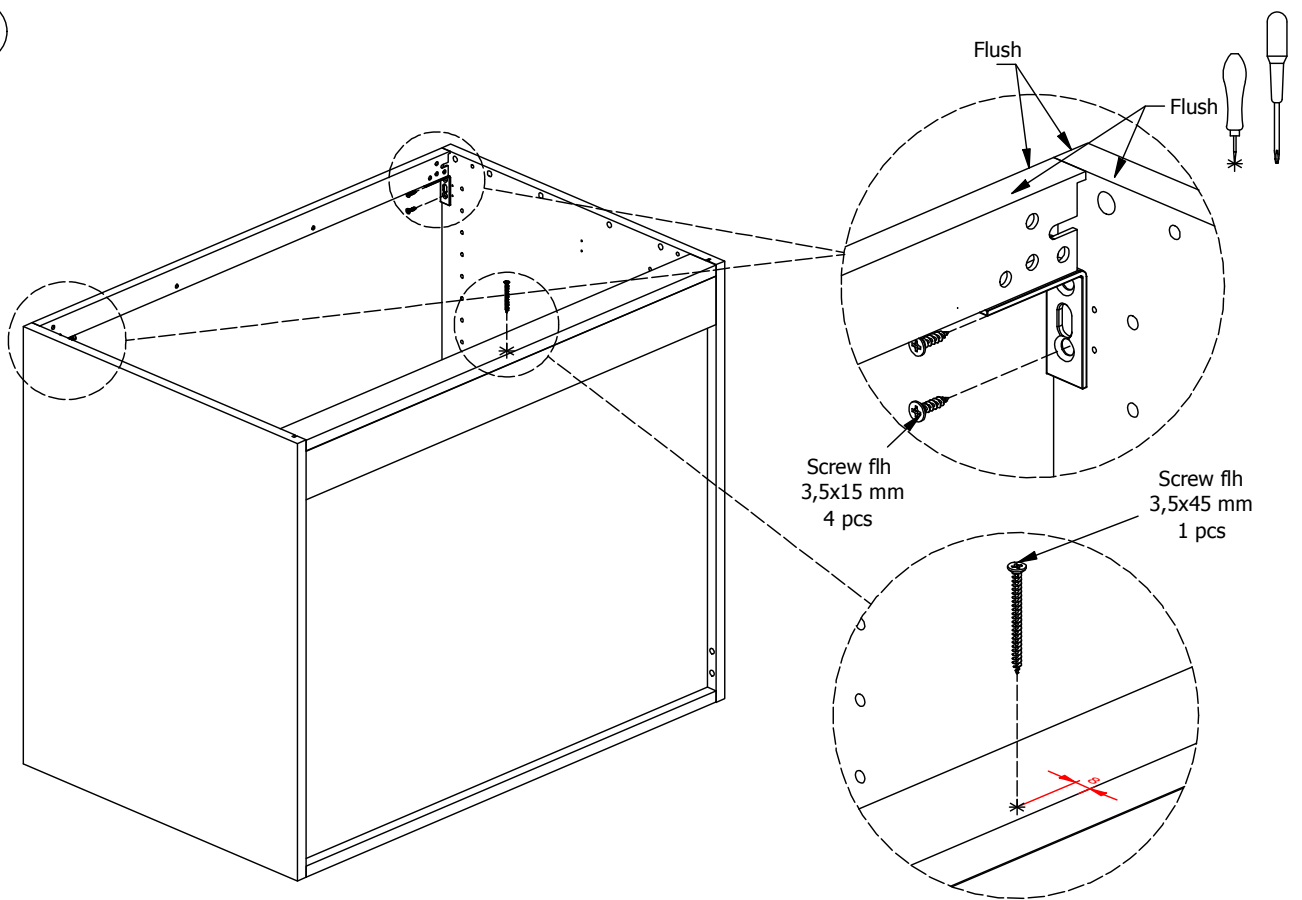


FIG. 8

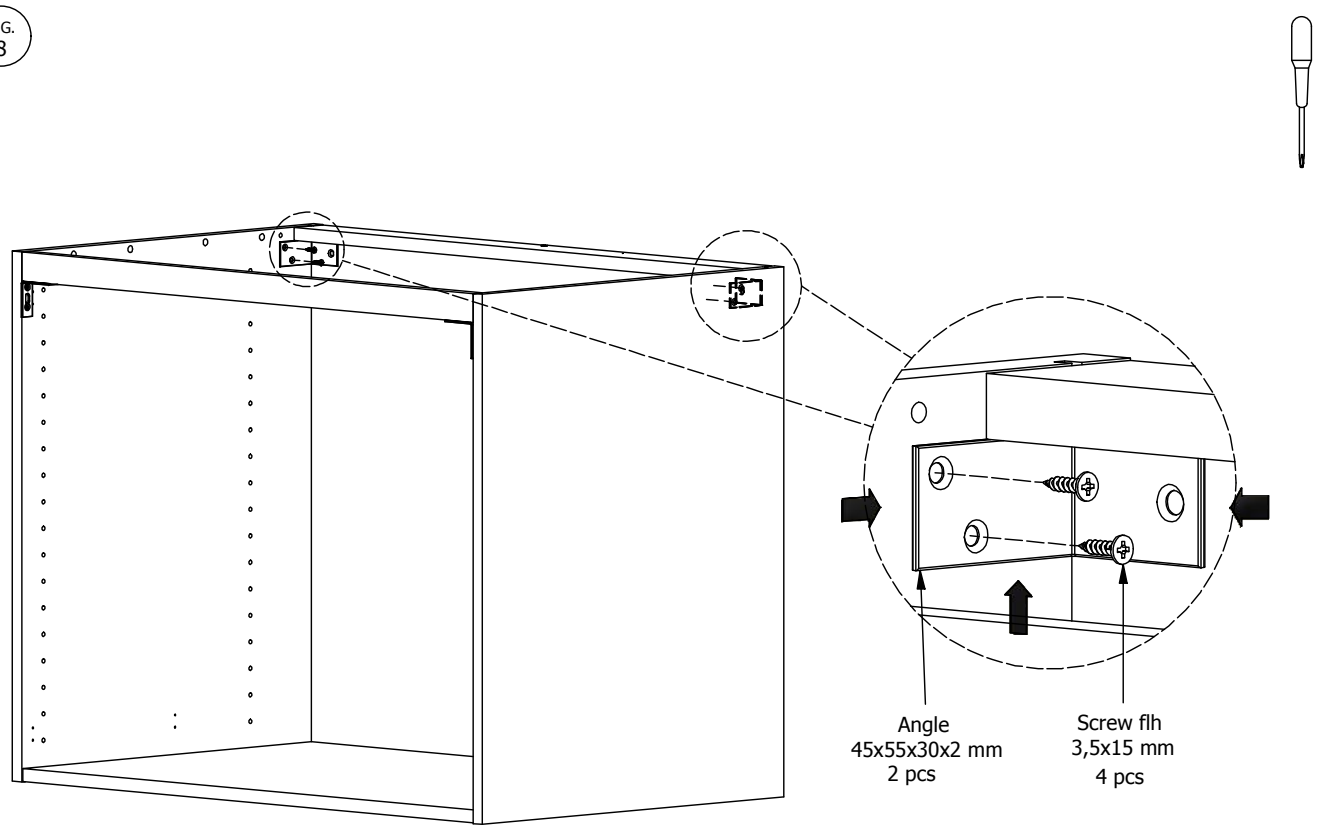


FIG. 9

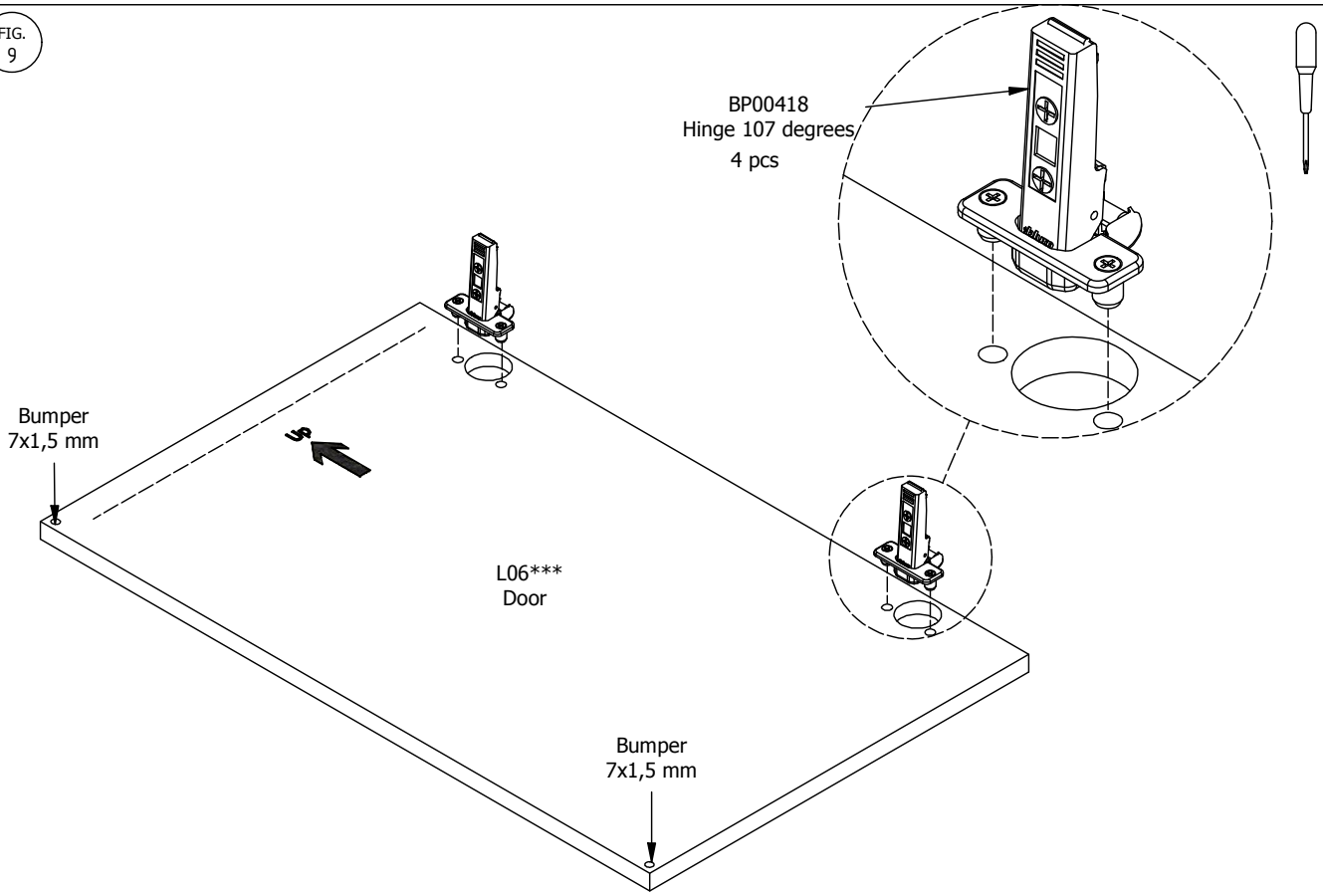


FIG. 10

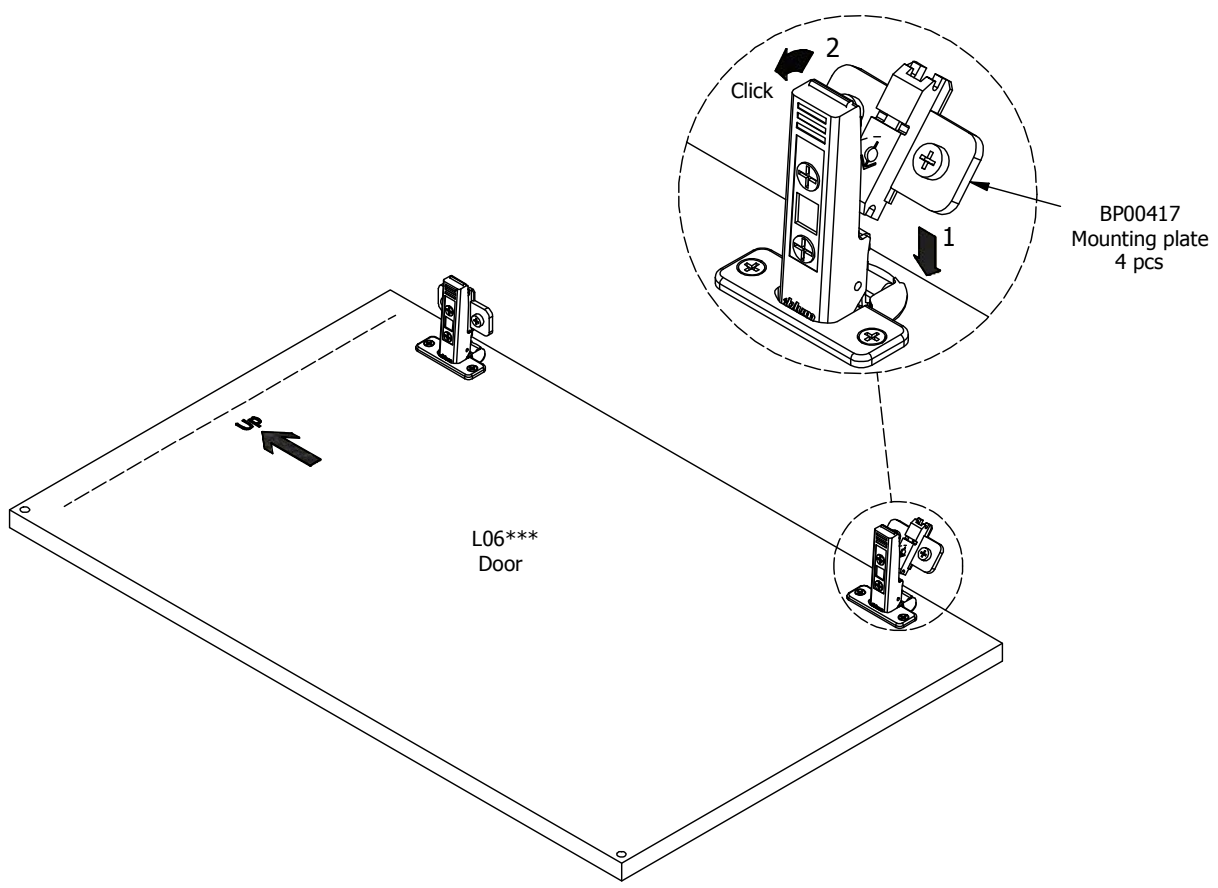
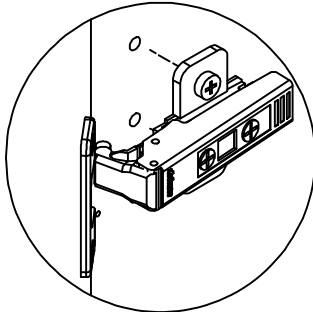


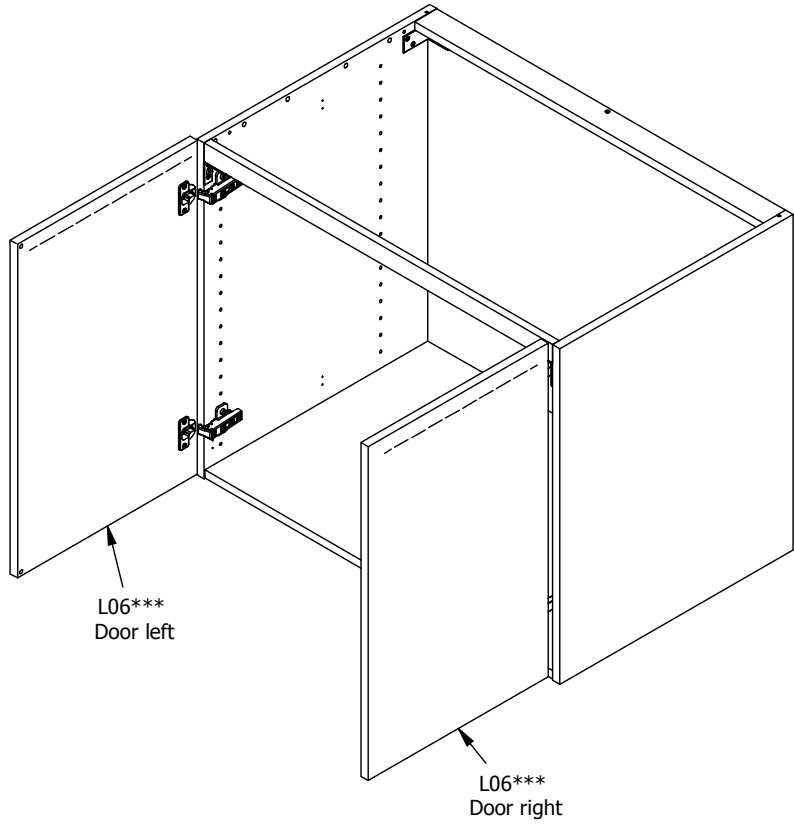
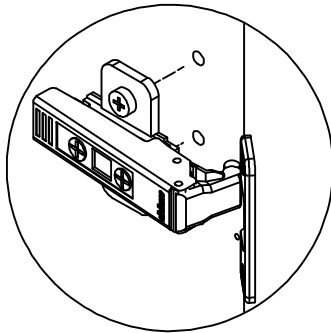
FIG. 11



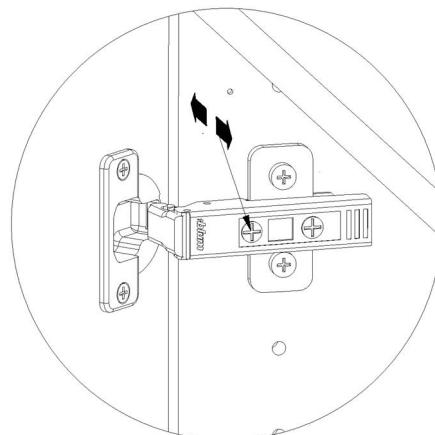
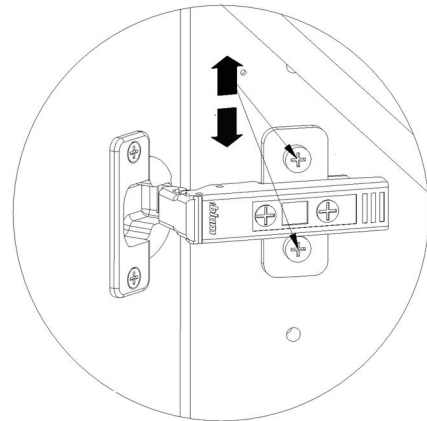
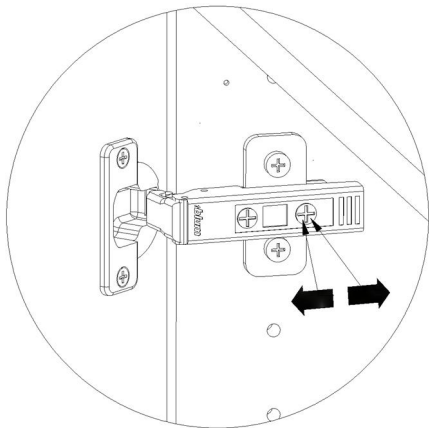
Left



Right



### Adjustment





Installation, please read instruction SV12224

