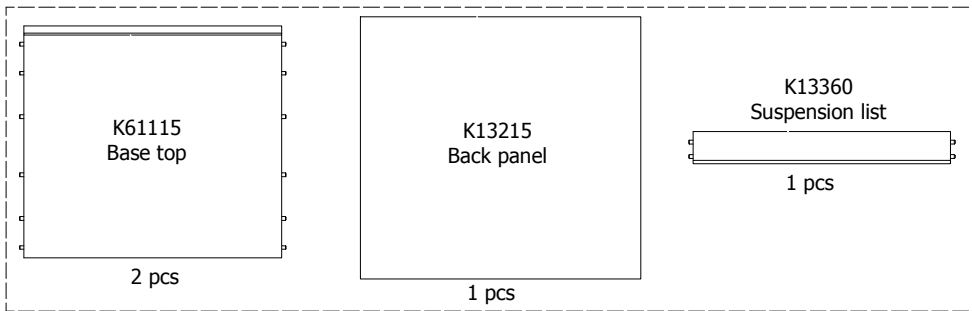


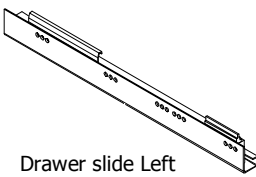
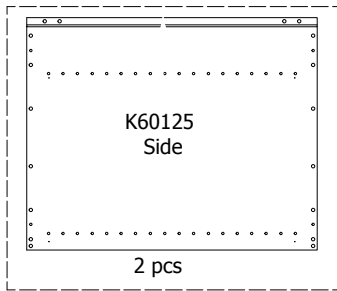
**kvik**

**MDBU6401,060**

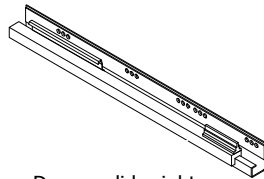
**BU5160,000**



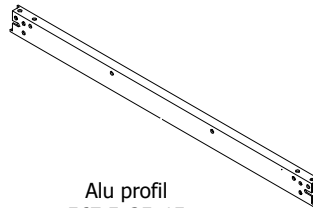
**US6451,000**



Drawer slide Left  
450  
2 pcs



Drawer slide right  
450  
2 pcs



Alu profil  
567,5x35x15  
1 pcs

**BP00260-BP00250-BP01904**

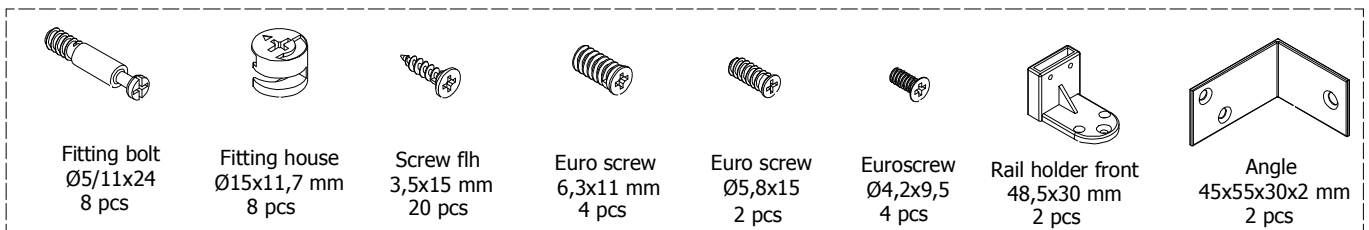


FIG. 1

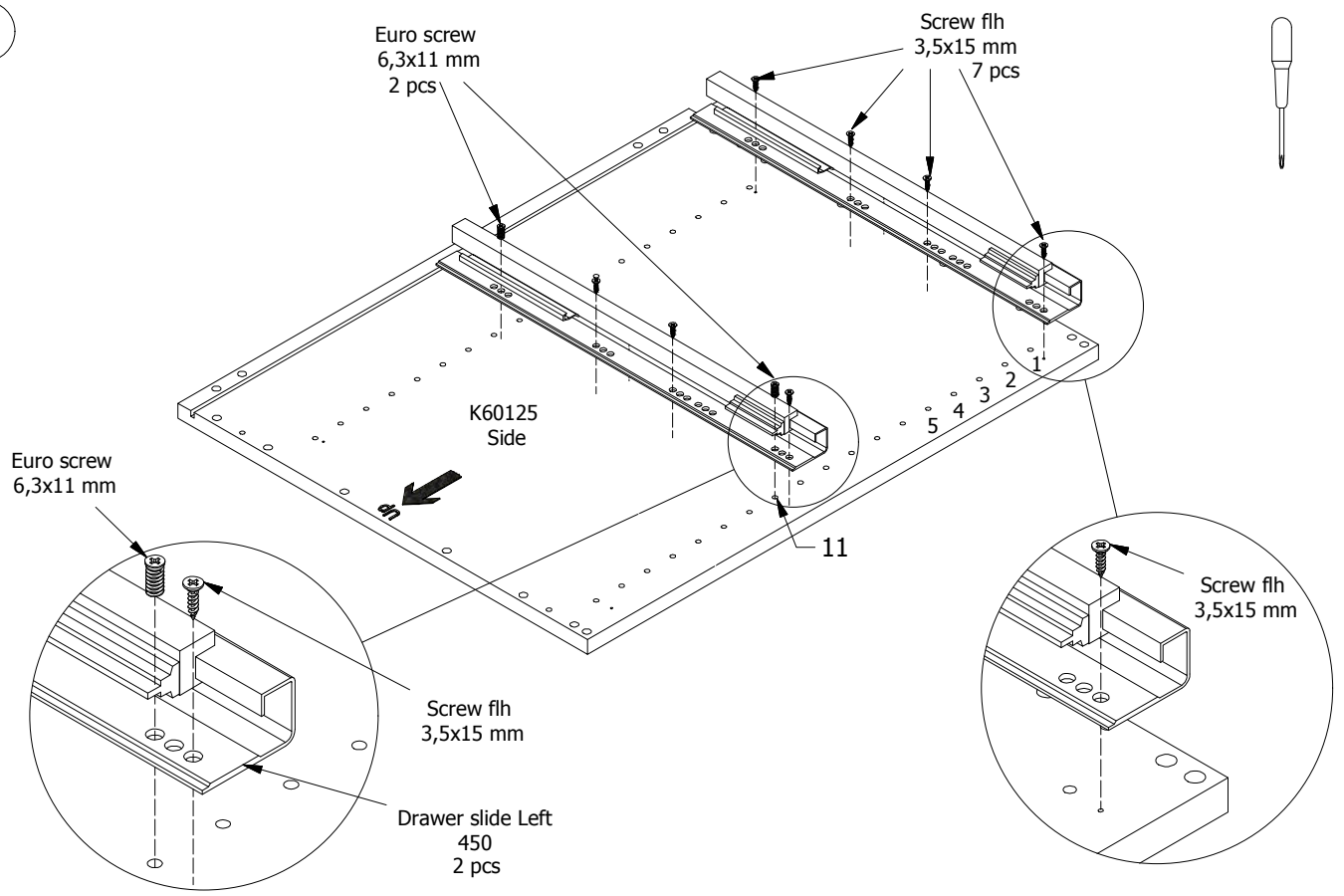


FIG. 2

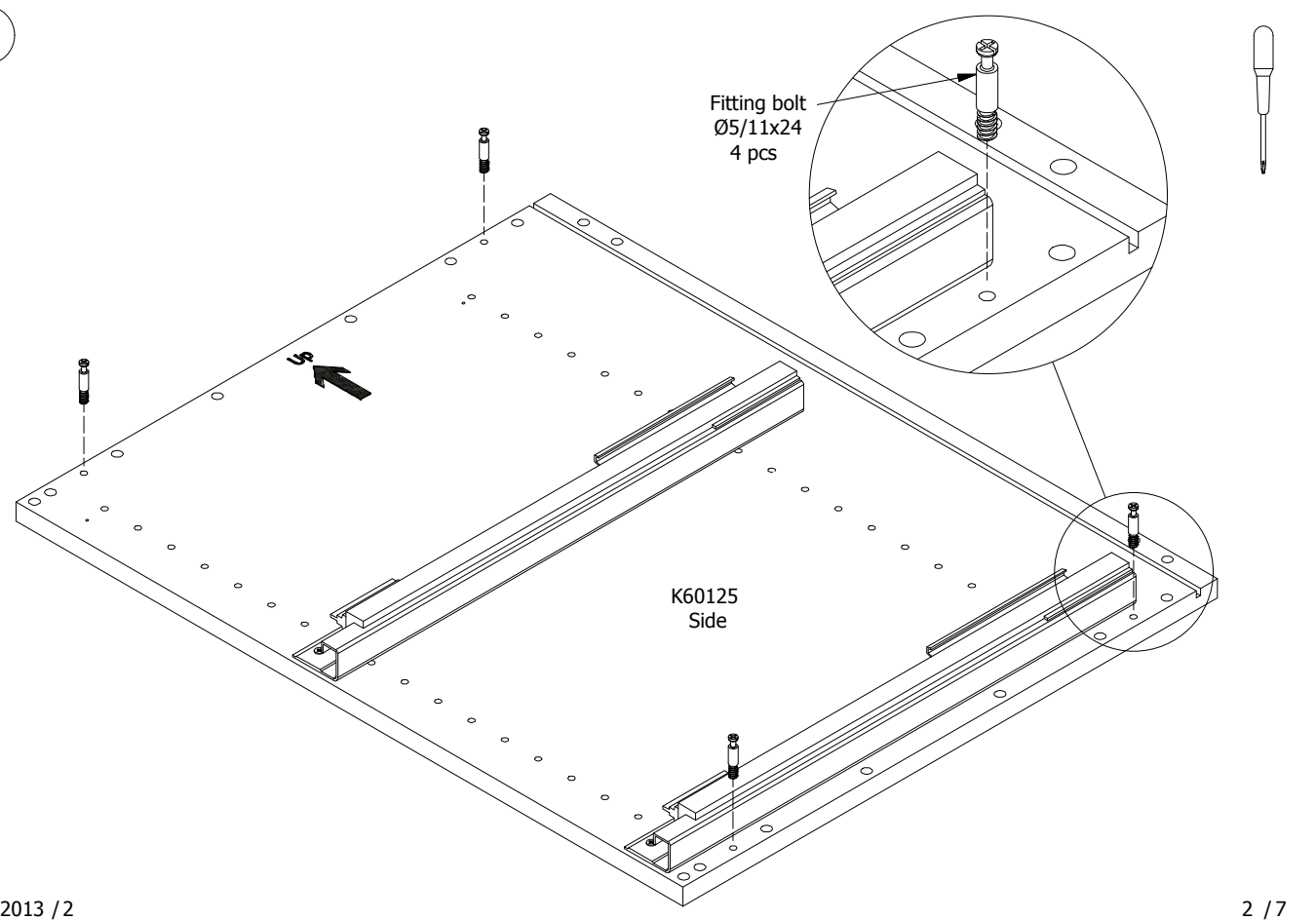


FIG. 3

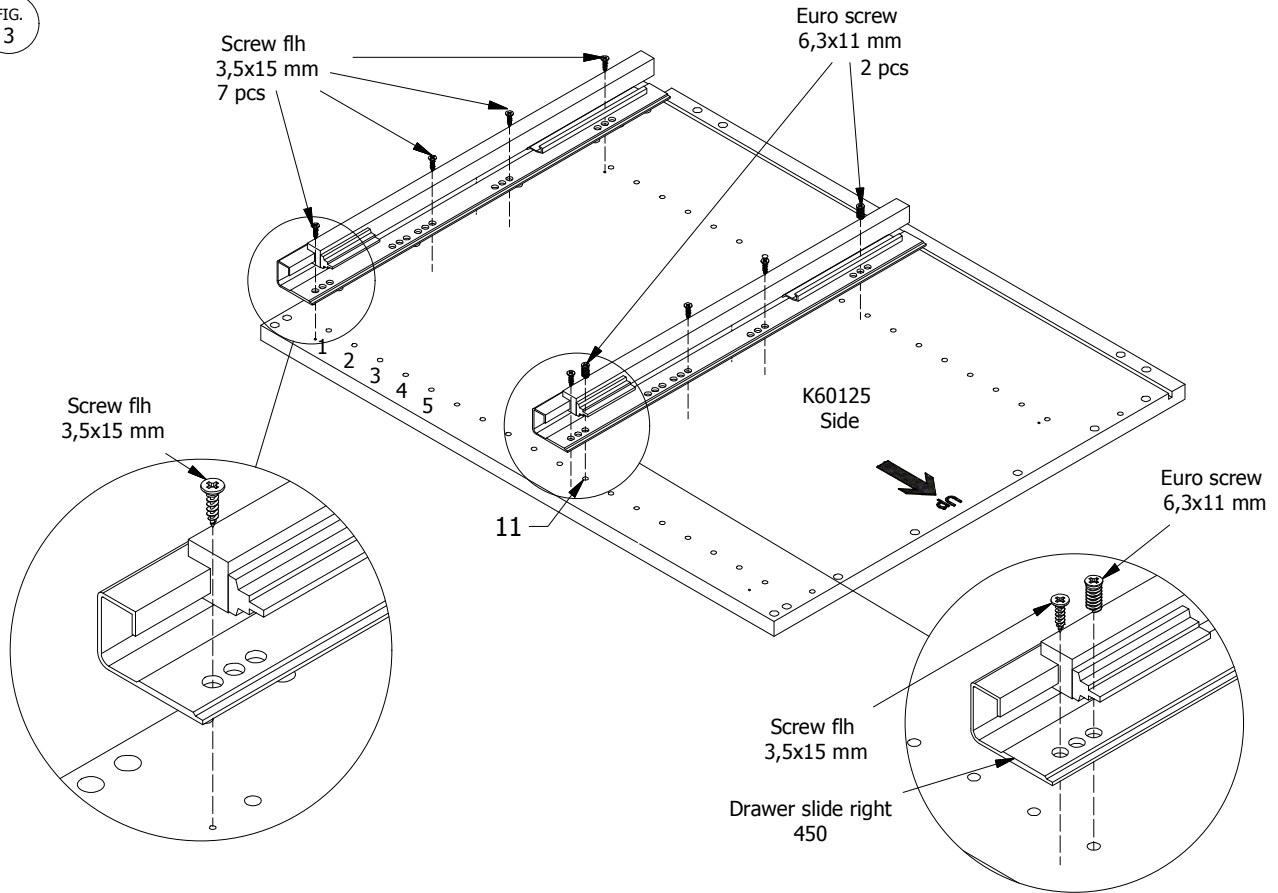


FIG. 4

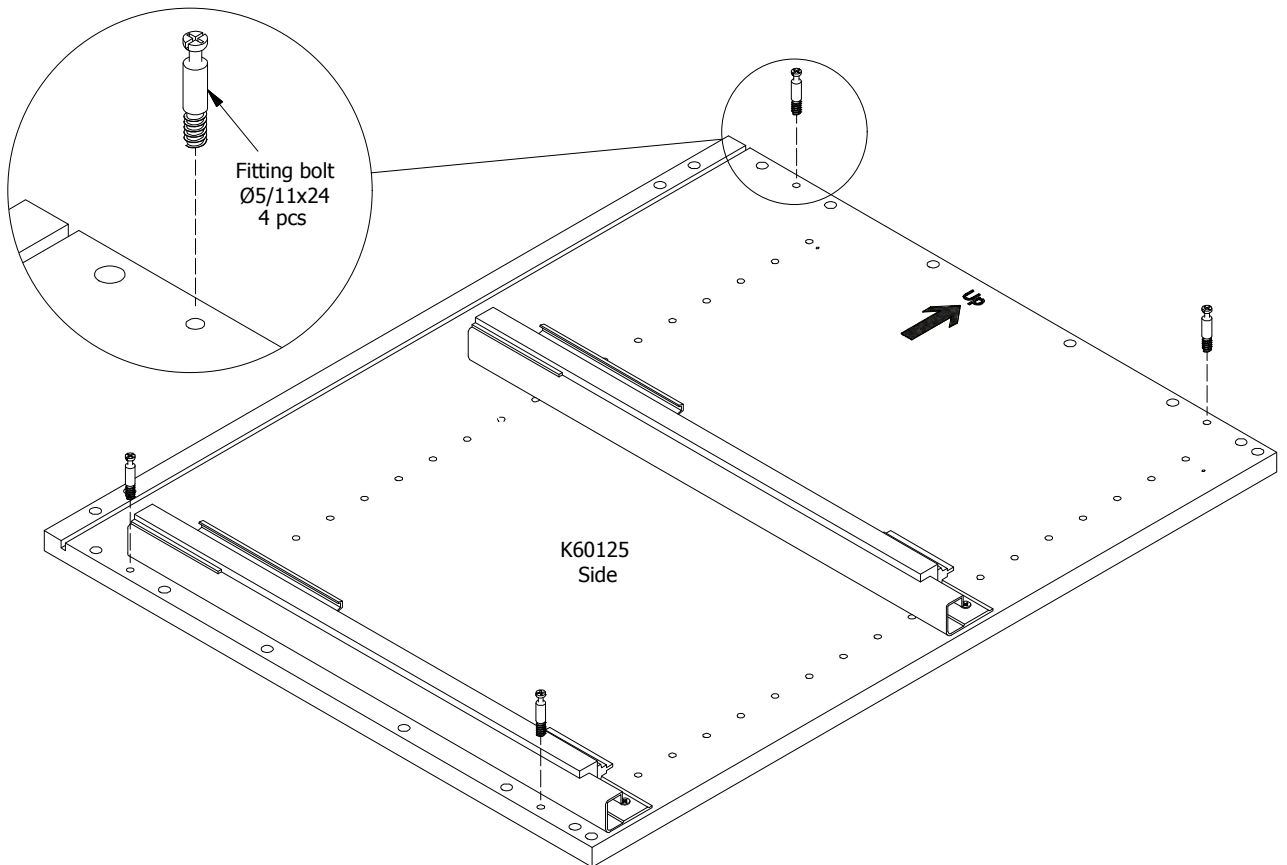


FIG. 5

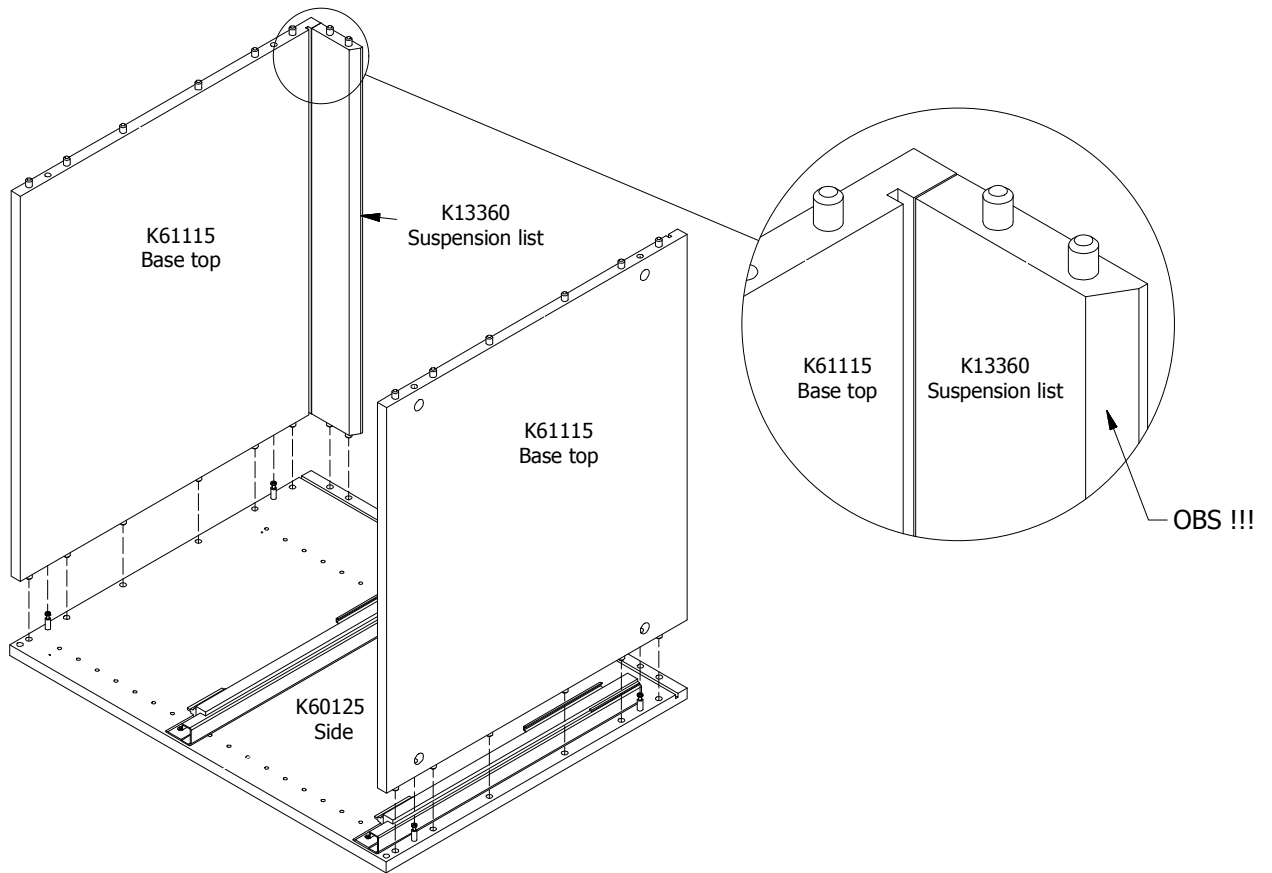


FIG. 6

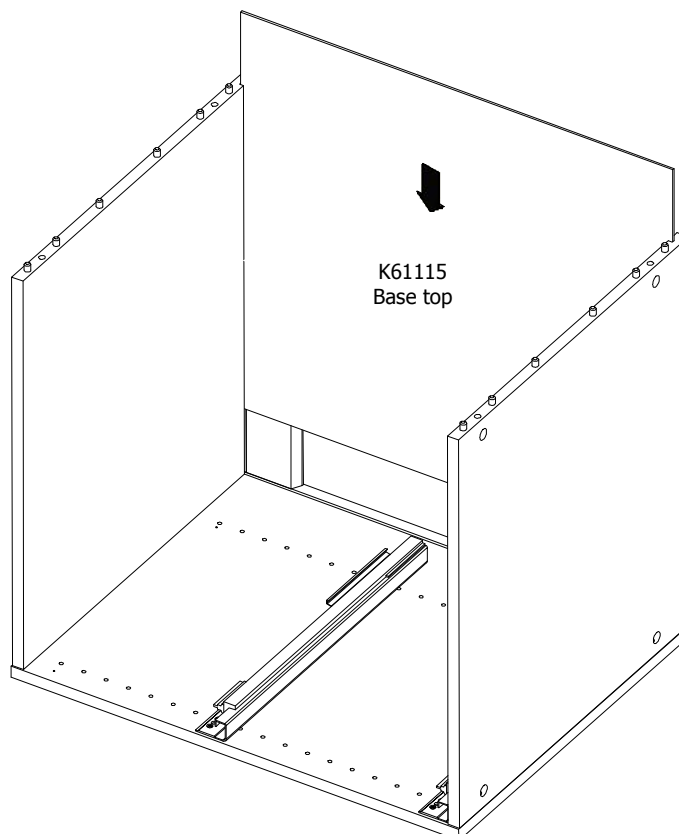


FIG.  
7

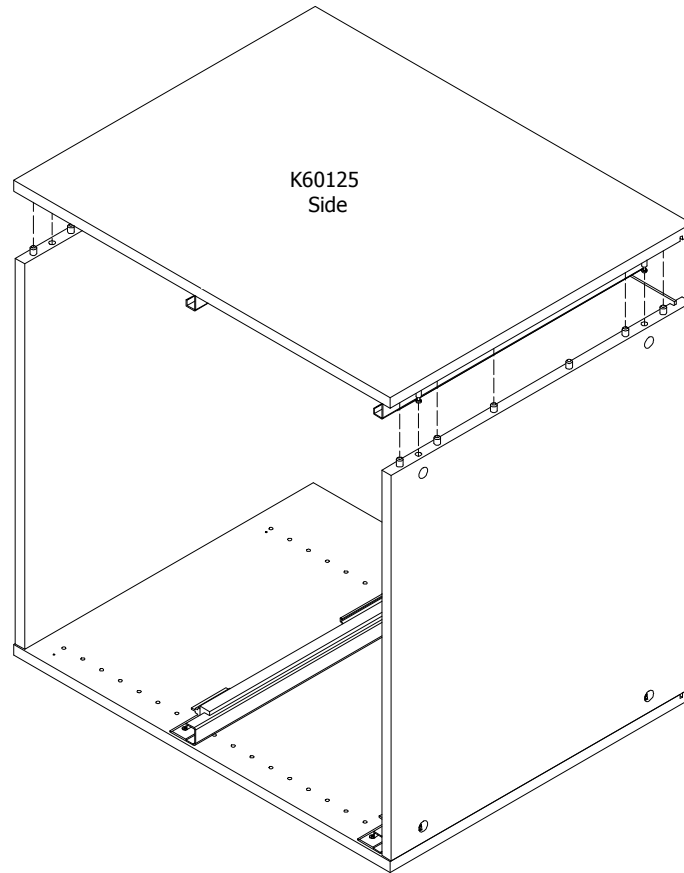


FIG.  
8

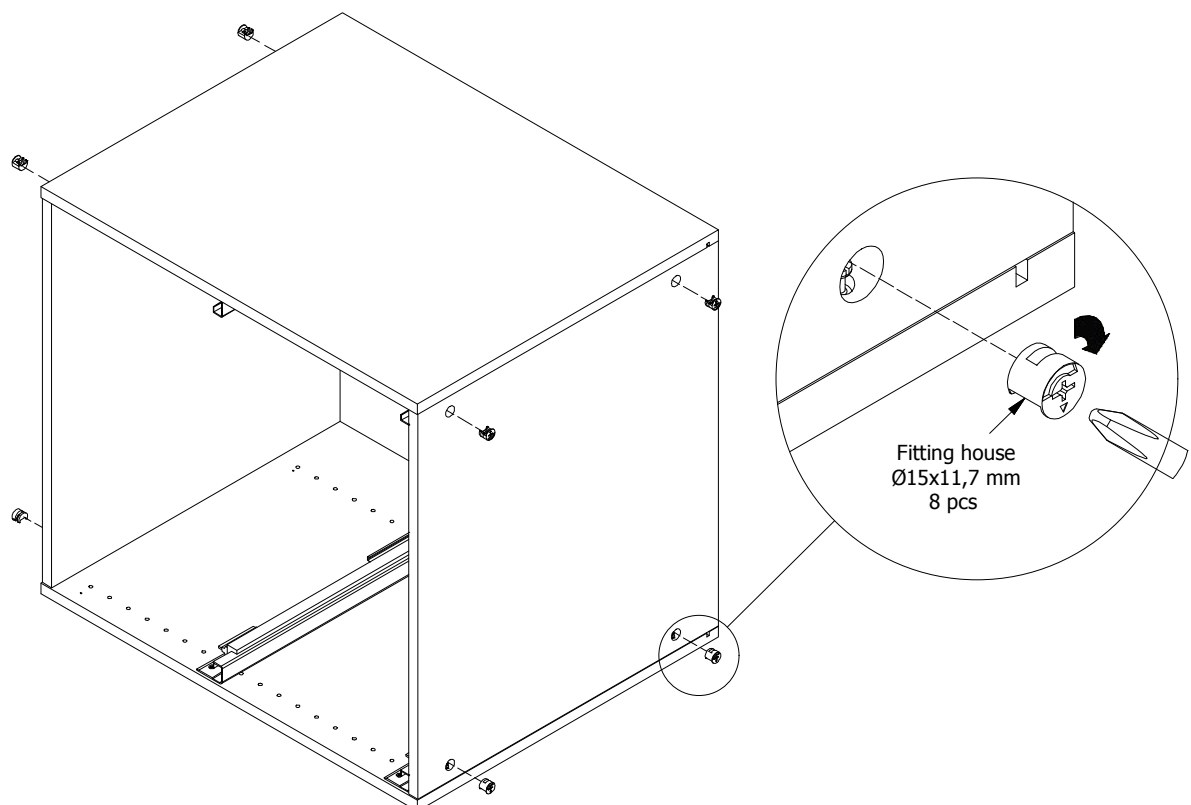


FIG. 9

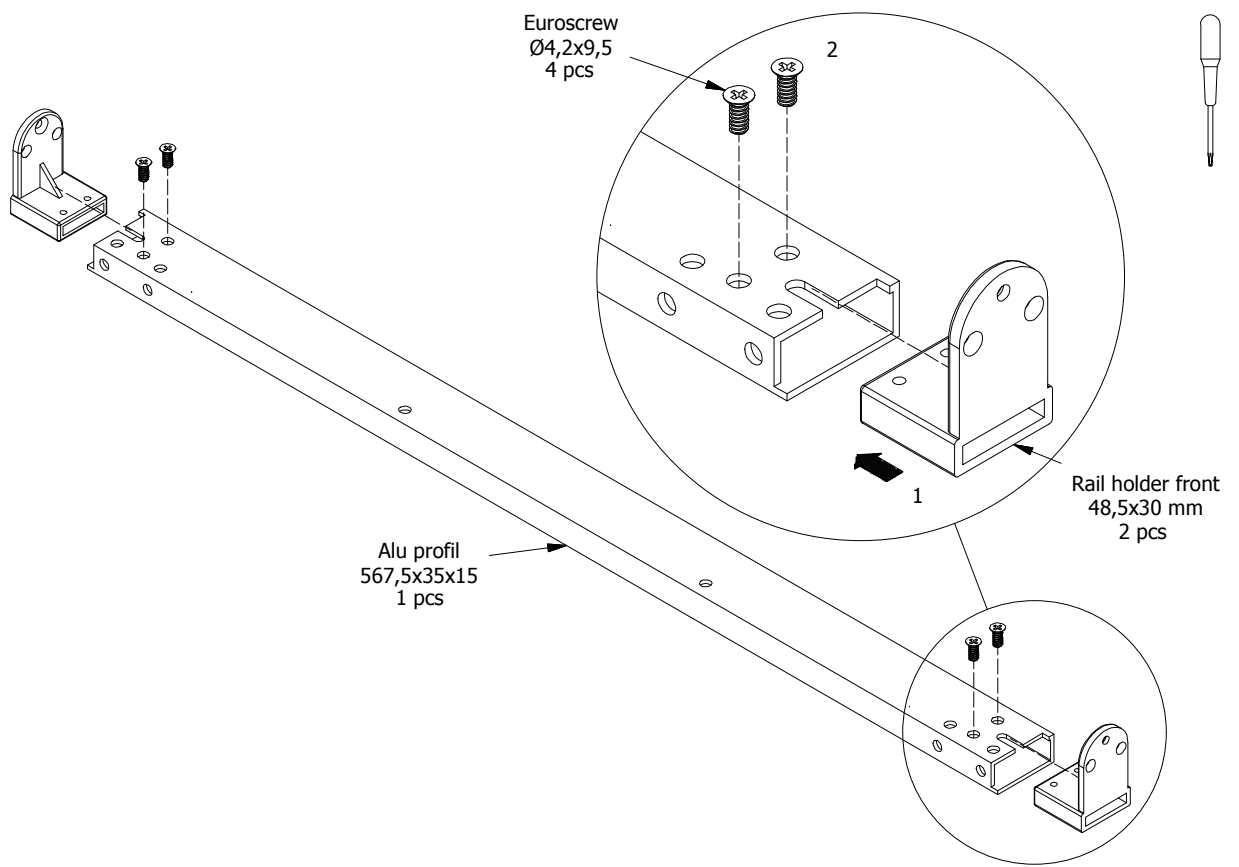


FIG. 10

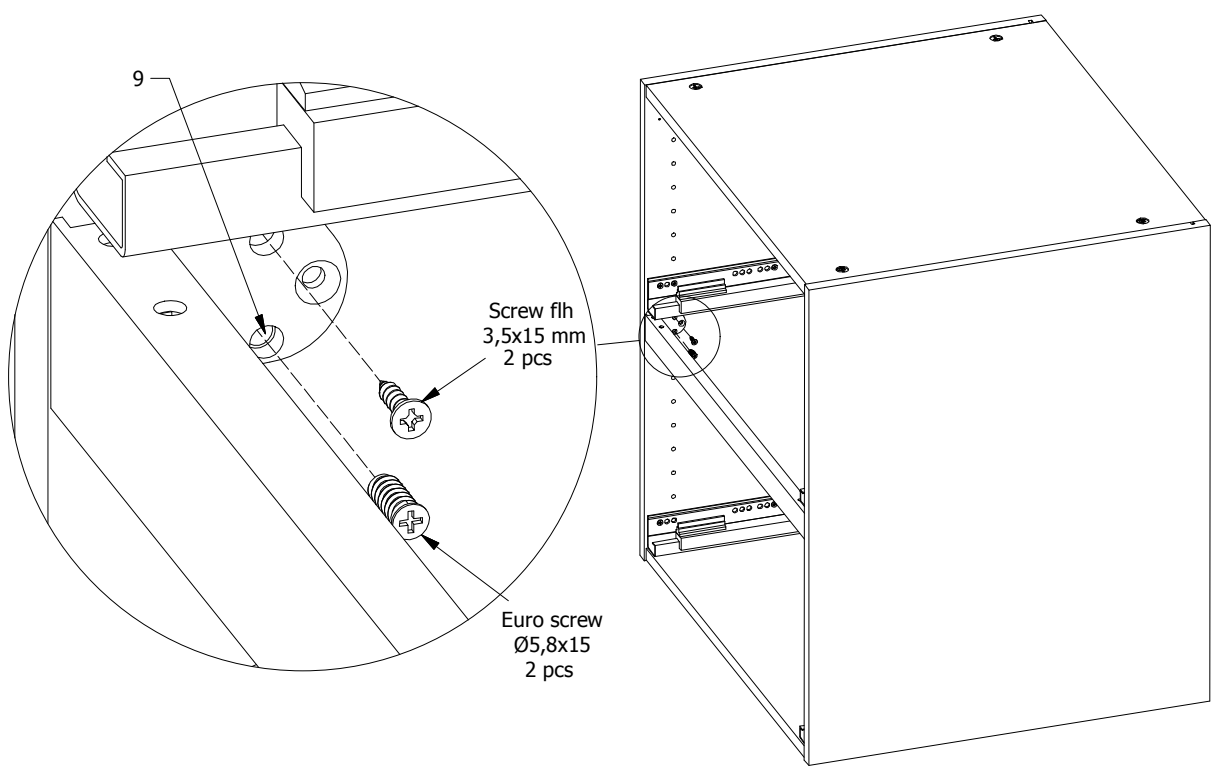


FIG. 11

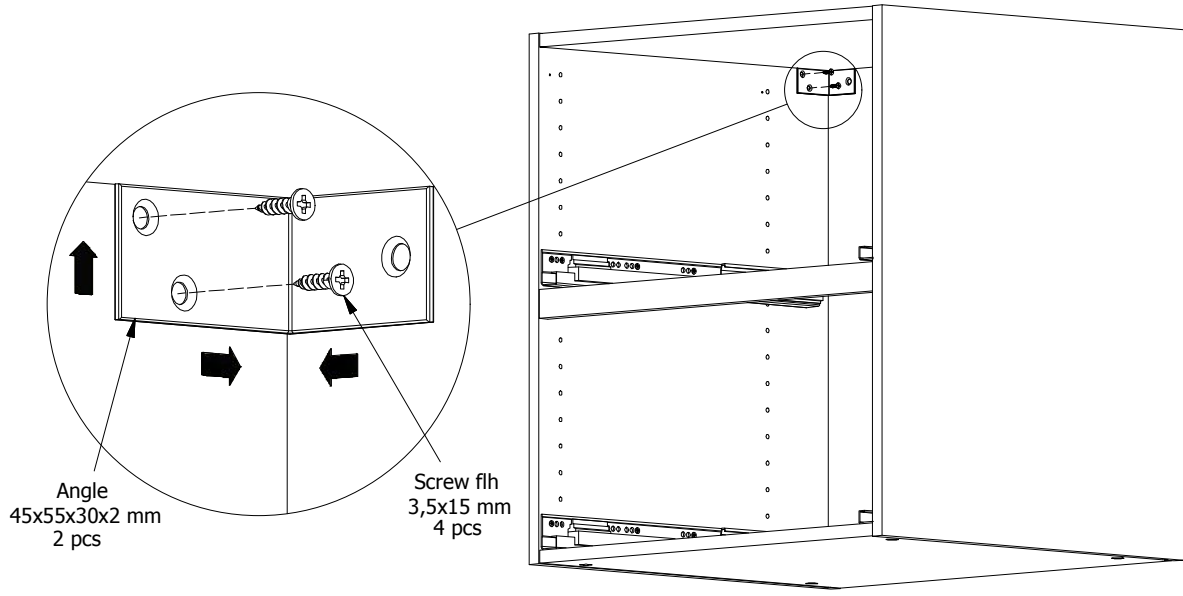


FIG. 12

