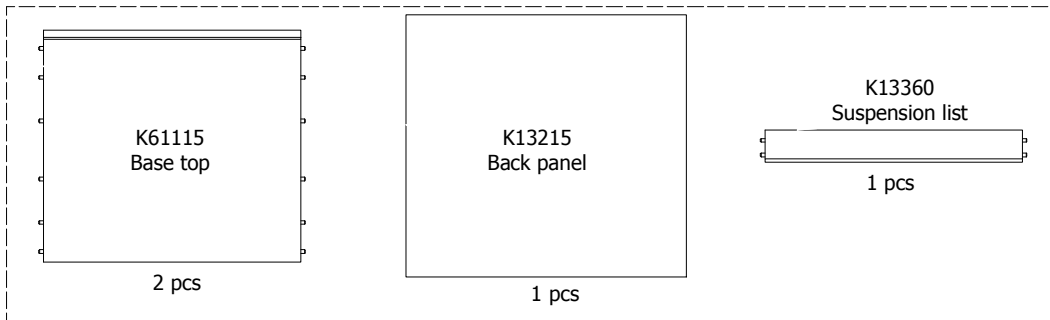


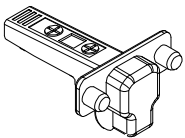
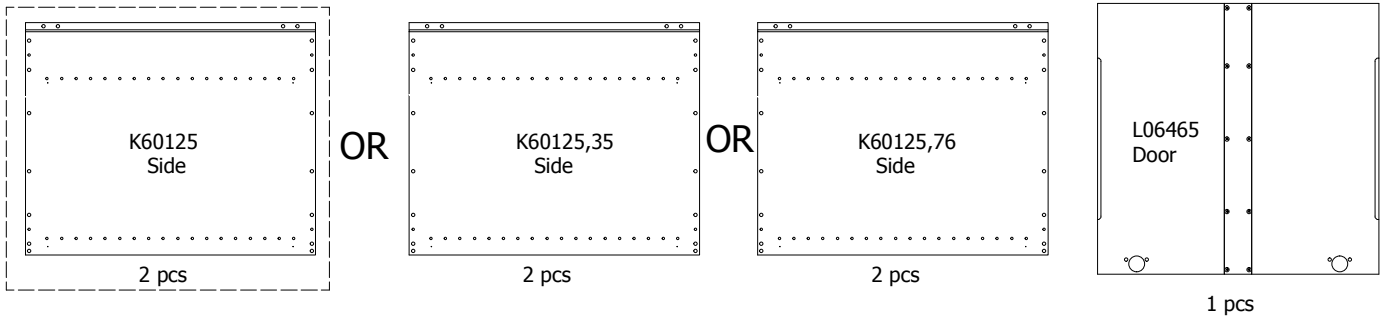
kvik

MDBU6400,060

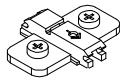
BU5160,000



US6451,000



Hinge
107 degrees
2 pcs



Mounting
plate
2 pcs

BP00250-BP00260

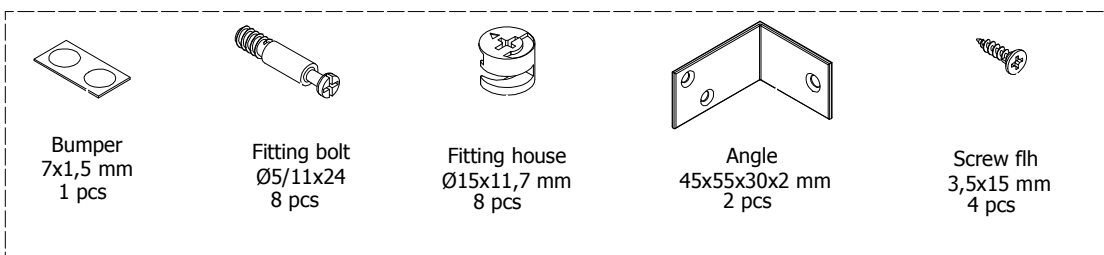


FIG. 1

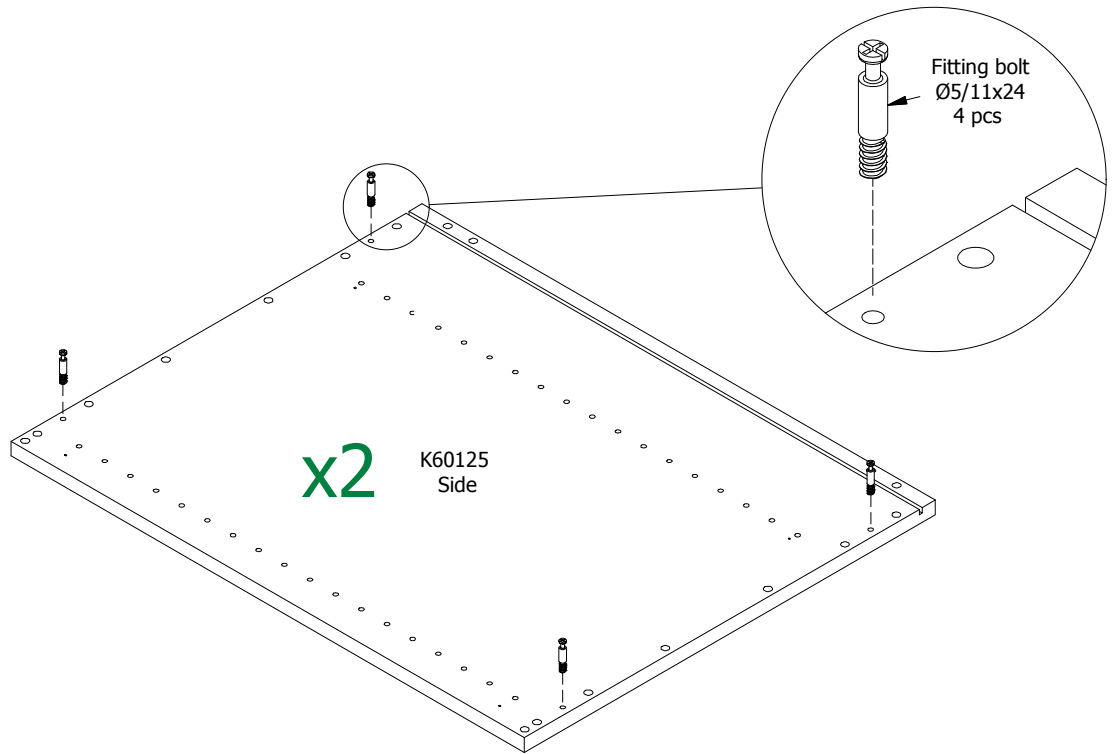


FIG. 2

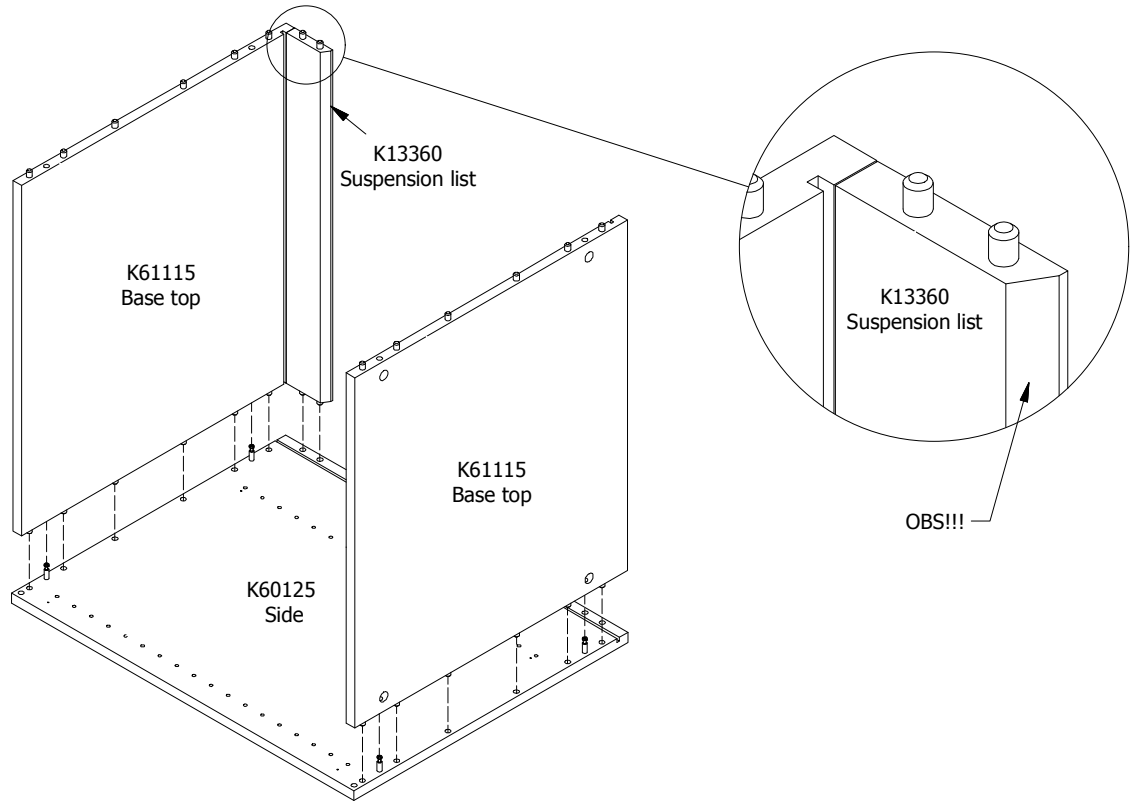


FIG. 3

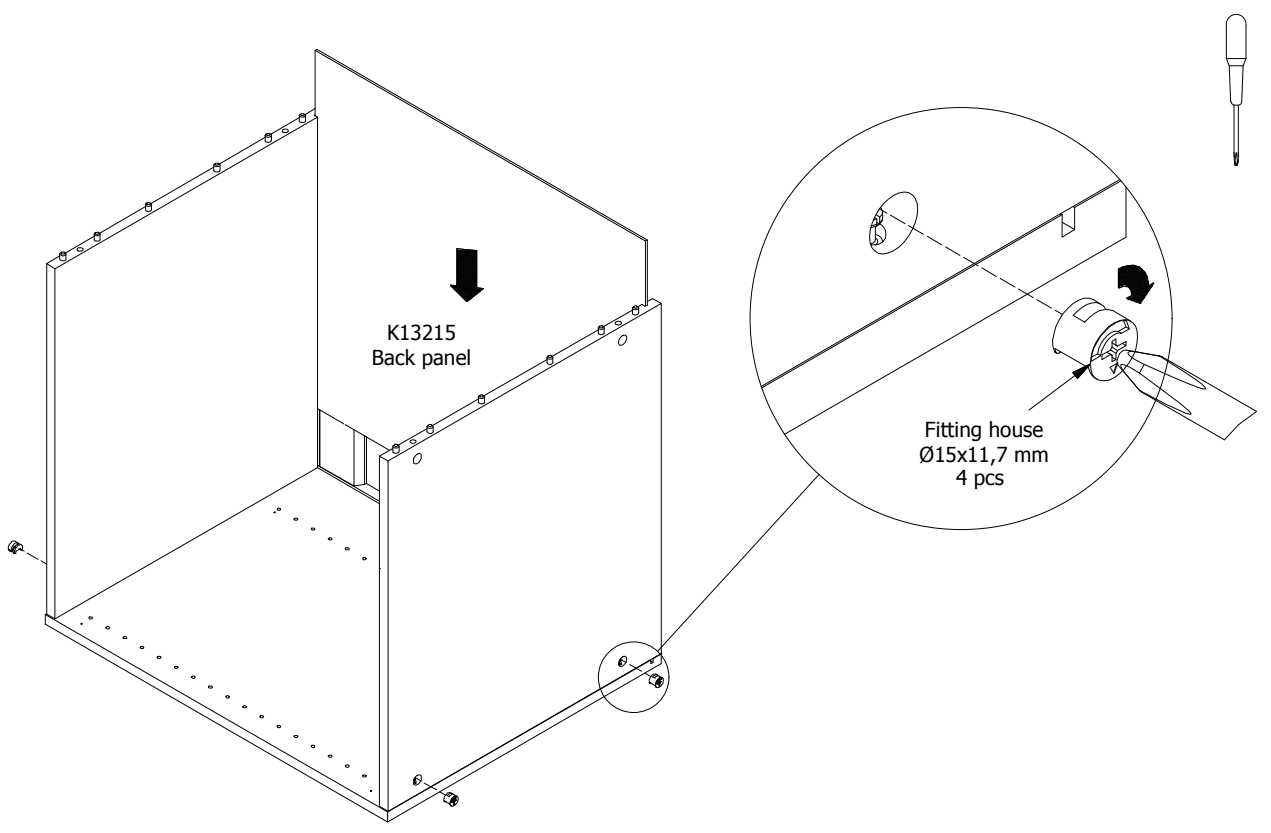


FIG. 4

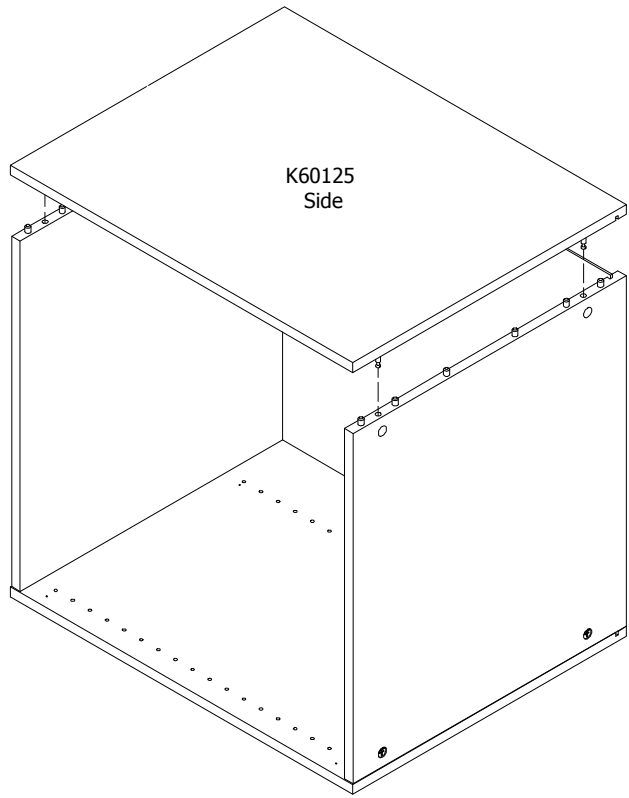


FIG. 5

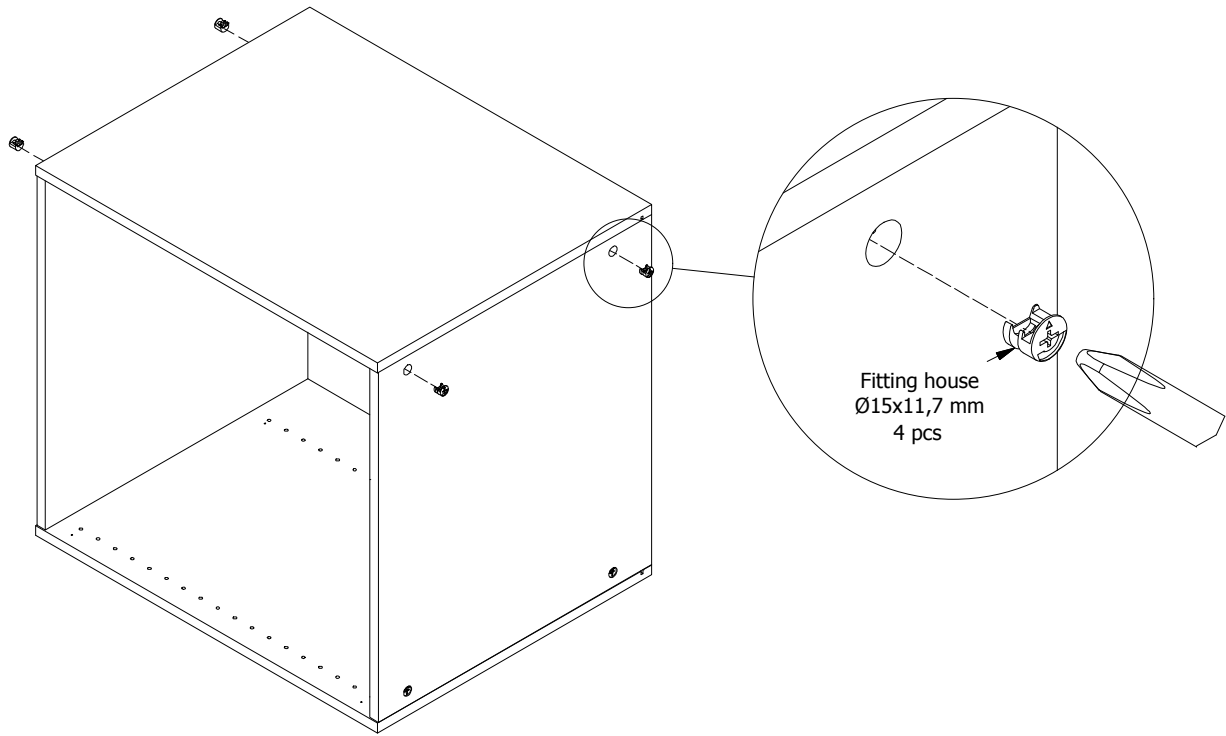


FIG. 6

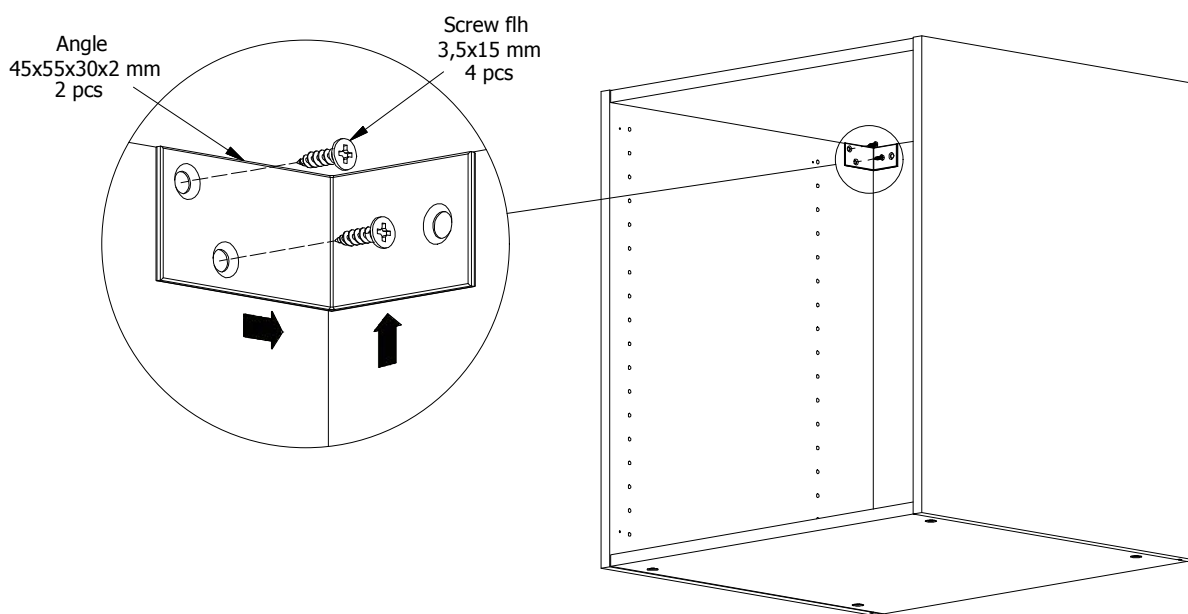


FIG. 7

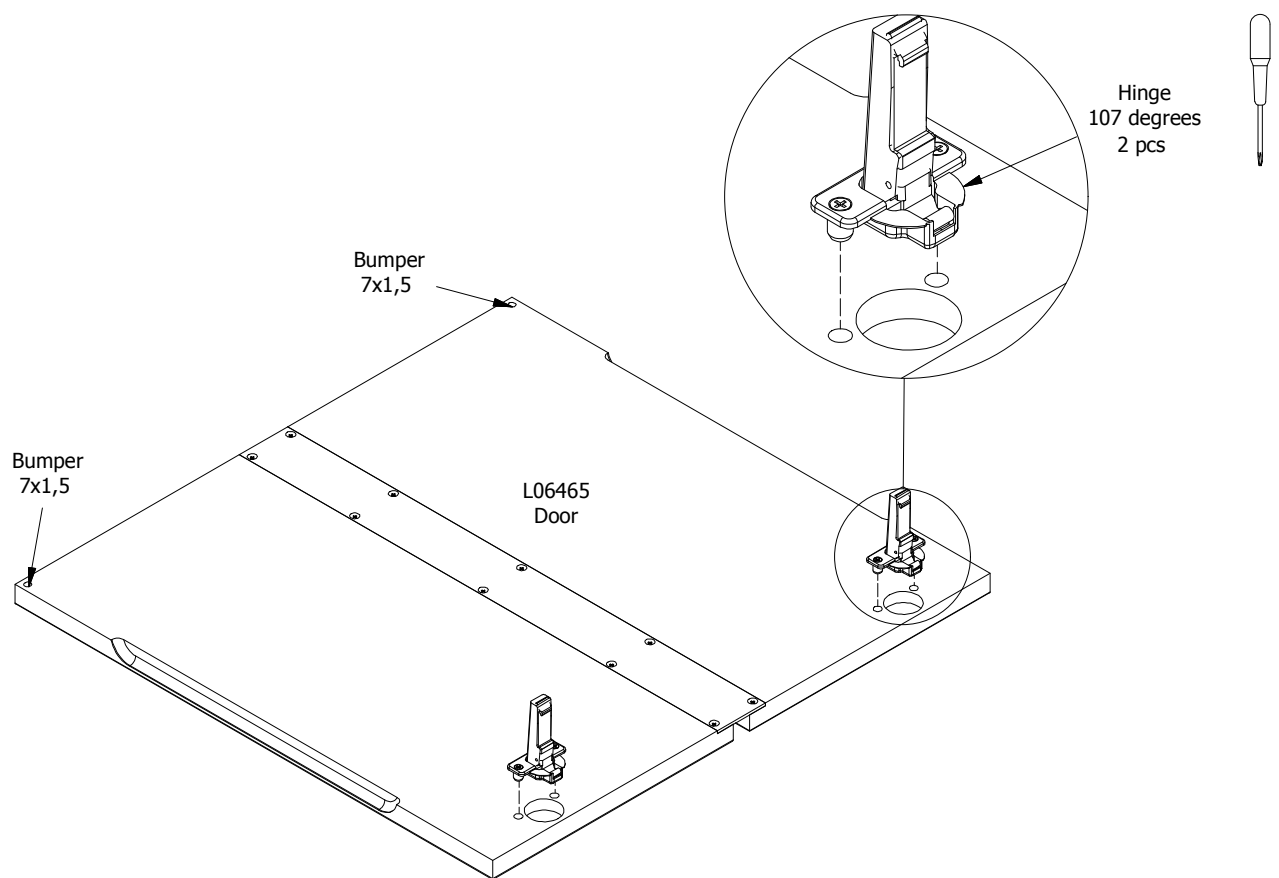


FIG. 8

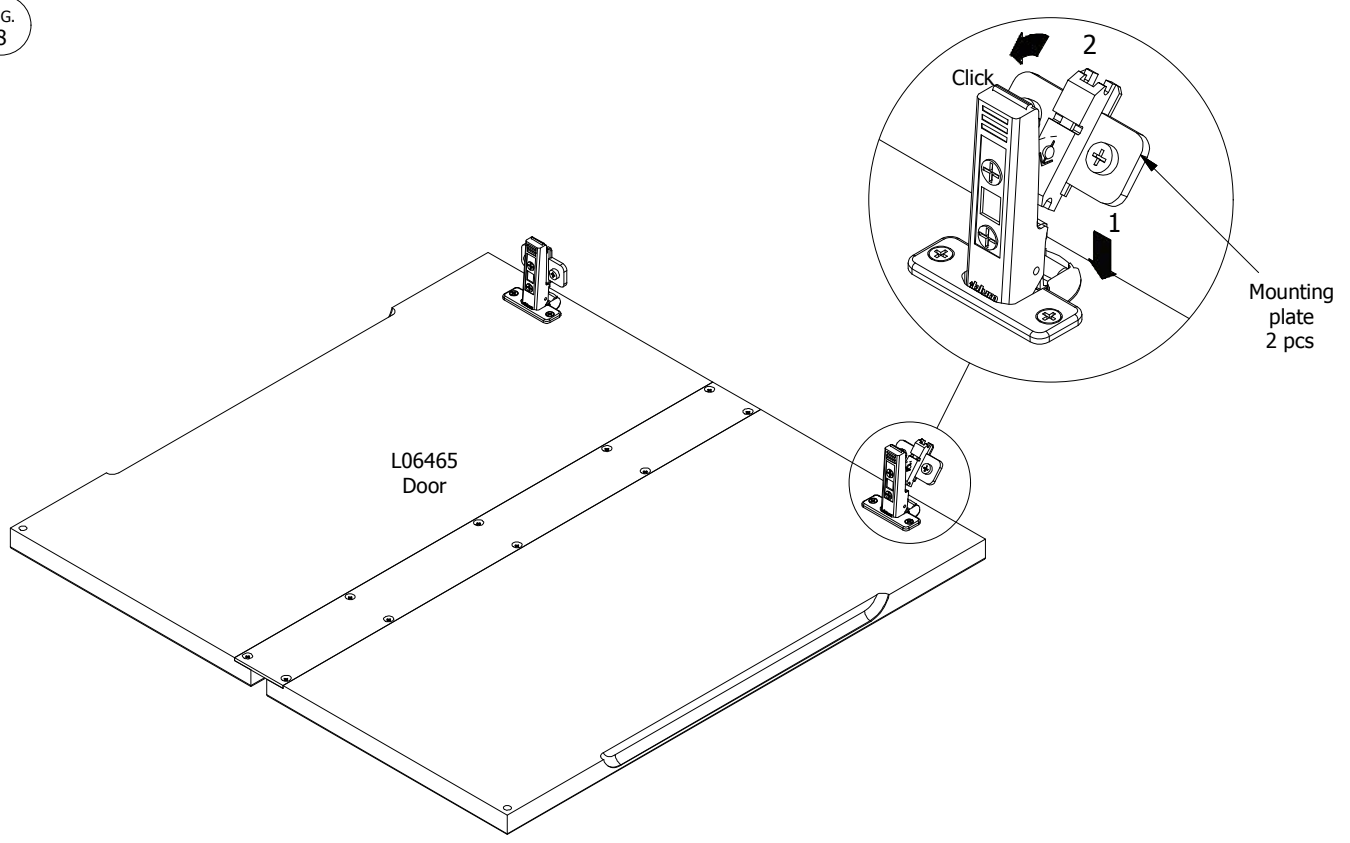


FIG. 9

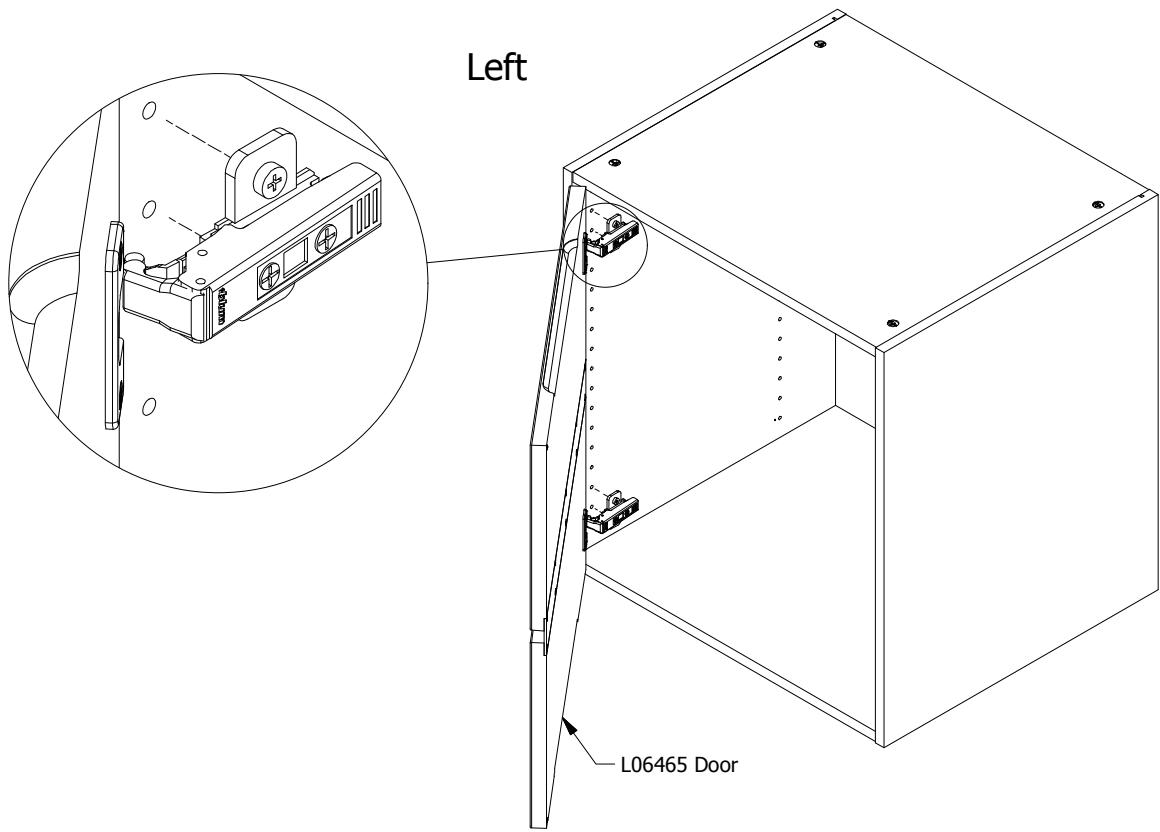
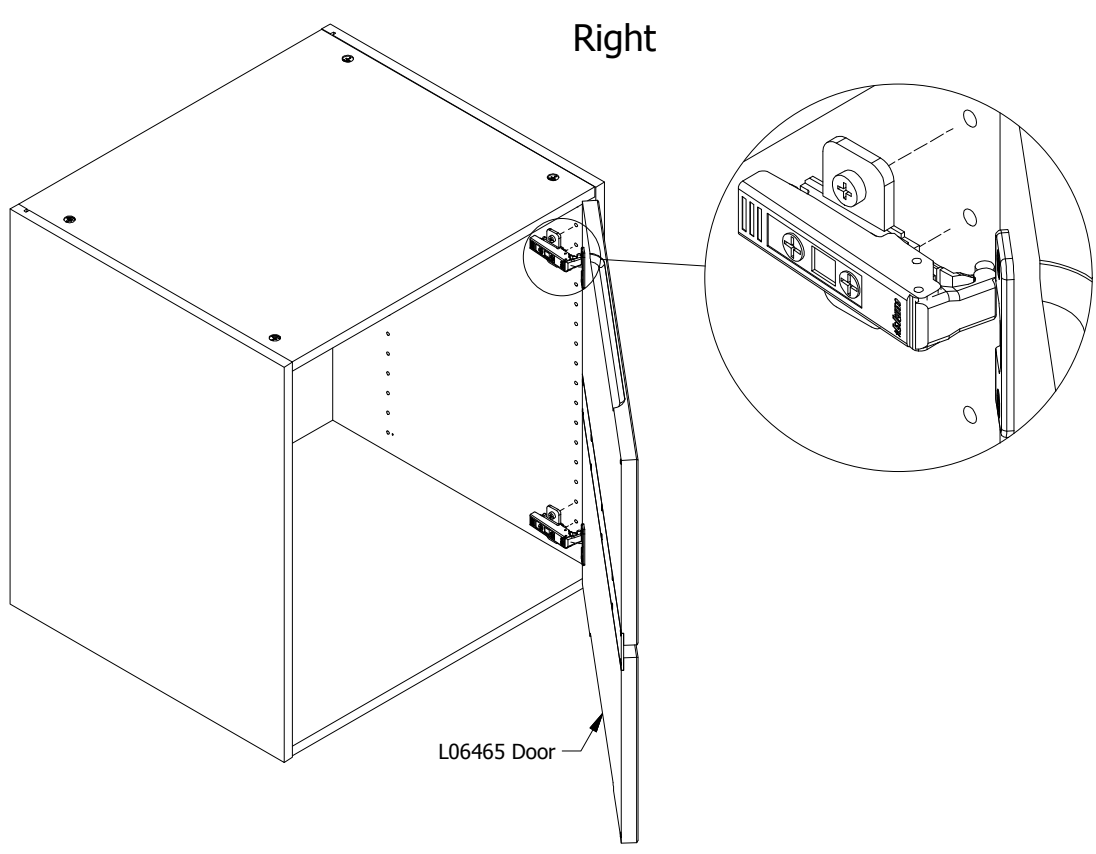


FIG. 10



Adjustment

