

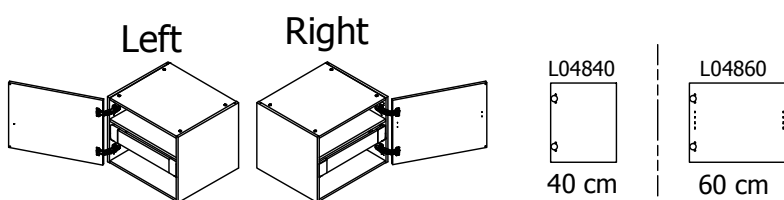
**kvik**

**DBU4815**

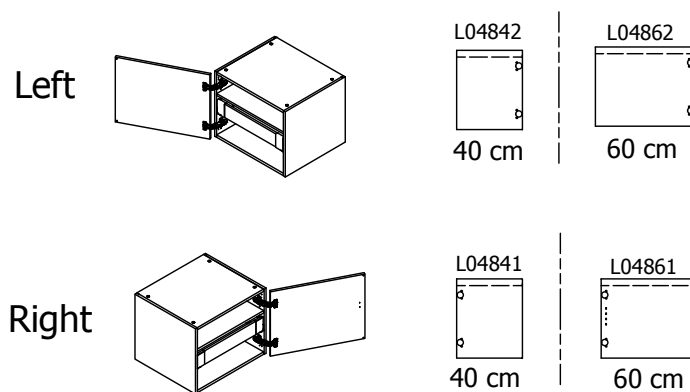


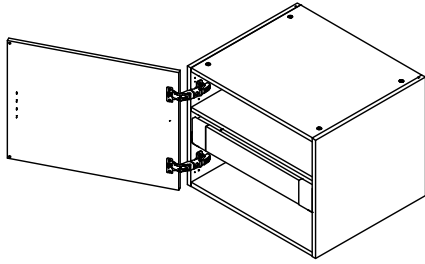
Check out easy  
mounting of you bath

Front without integrated handle



Front with integrated handle





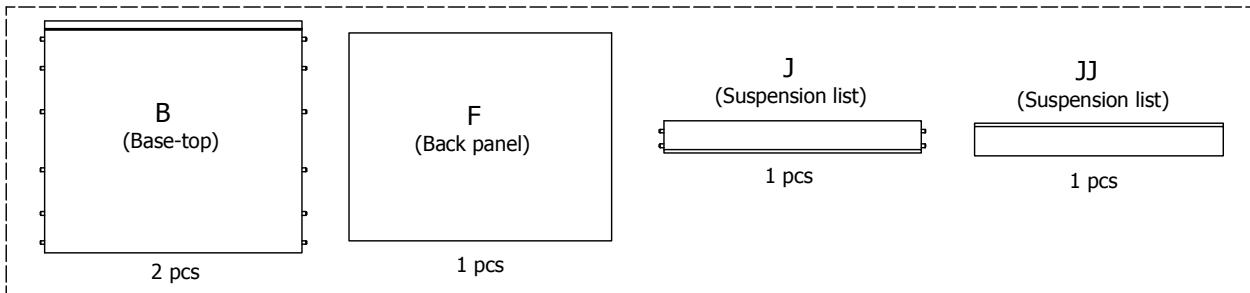
**kvik**

**DBU4815**

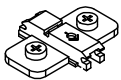
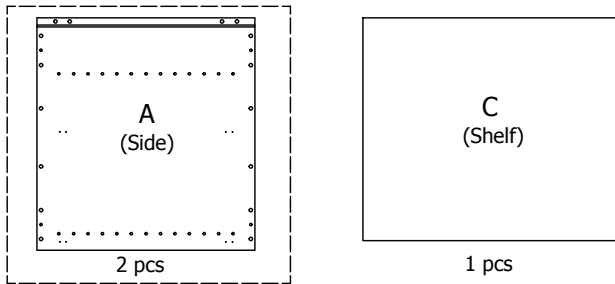


Check out easy  
mounting of your bath

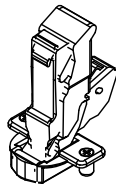
BU51\*0,000 / 176



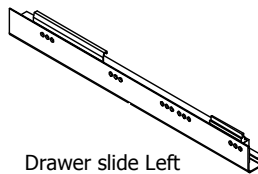
US4851,000 / KVIK



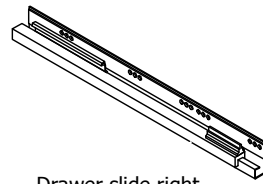
BP00417  
Mounting plate  
2 pcs



K15355  
Hinge 155 degrees  
2 pcs



Drawer slide Left  
450  
1 pcs

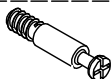


Drawer slide right  
450  
1 pcs

BP00260-BP00250



Bumper  
7x1,5 mm  
1 pcs



Fitting bolt  
Ø5/11x24  
8 pcs



Fitting house  
Ø15x11,7 mm  
8 pcs



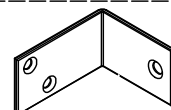
Screw flh  
3,5x15 mm  
10 pcs



Euro screw  
6,3x11 mm  
4 pcs



Shelf support  
ø5x7 mm Plast  
4 pcs



Angle  
45x55x30x2 mm  
2 pcs

FIG. 1

Side Left

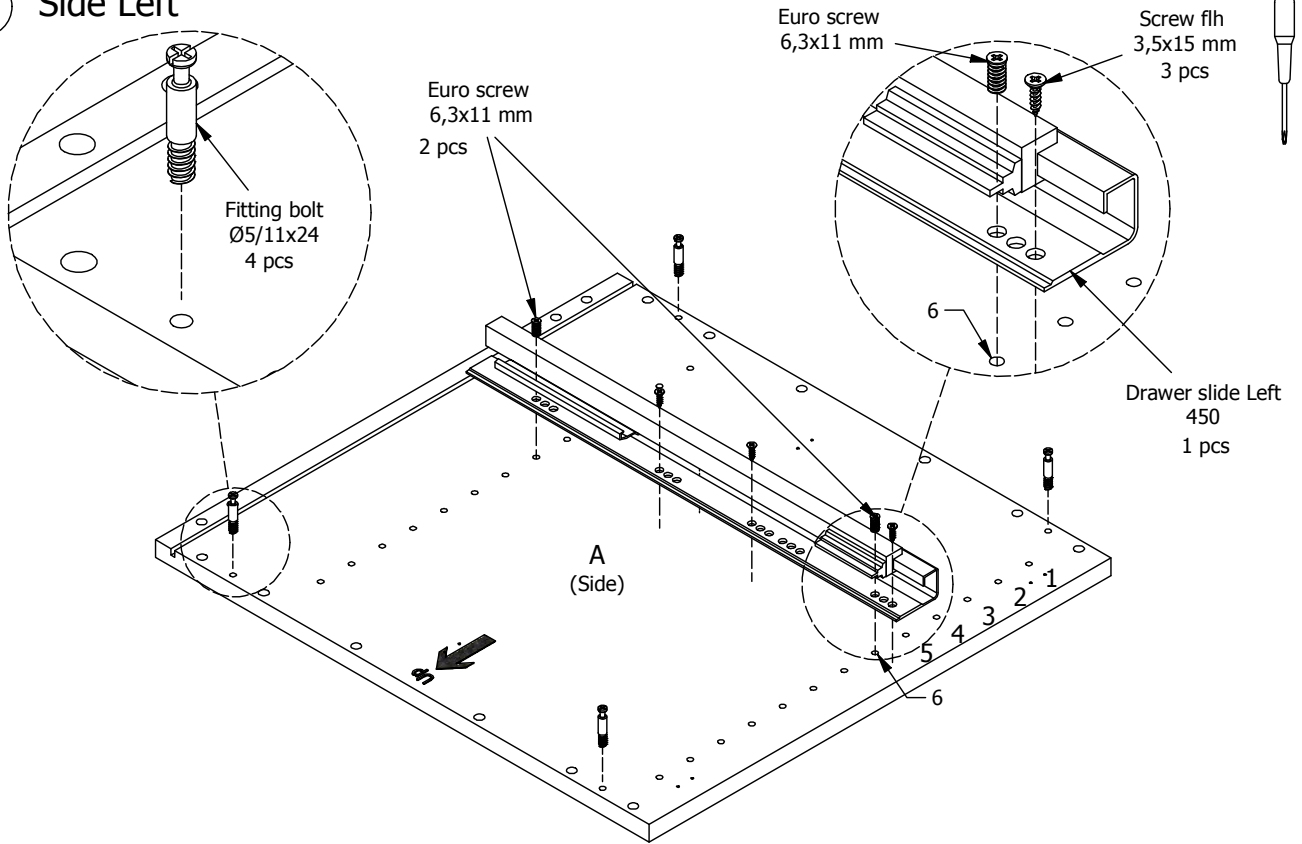


FIG. 2

Side Right

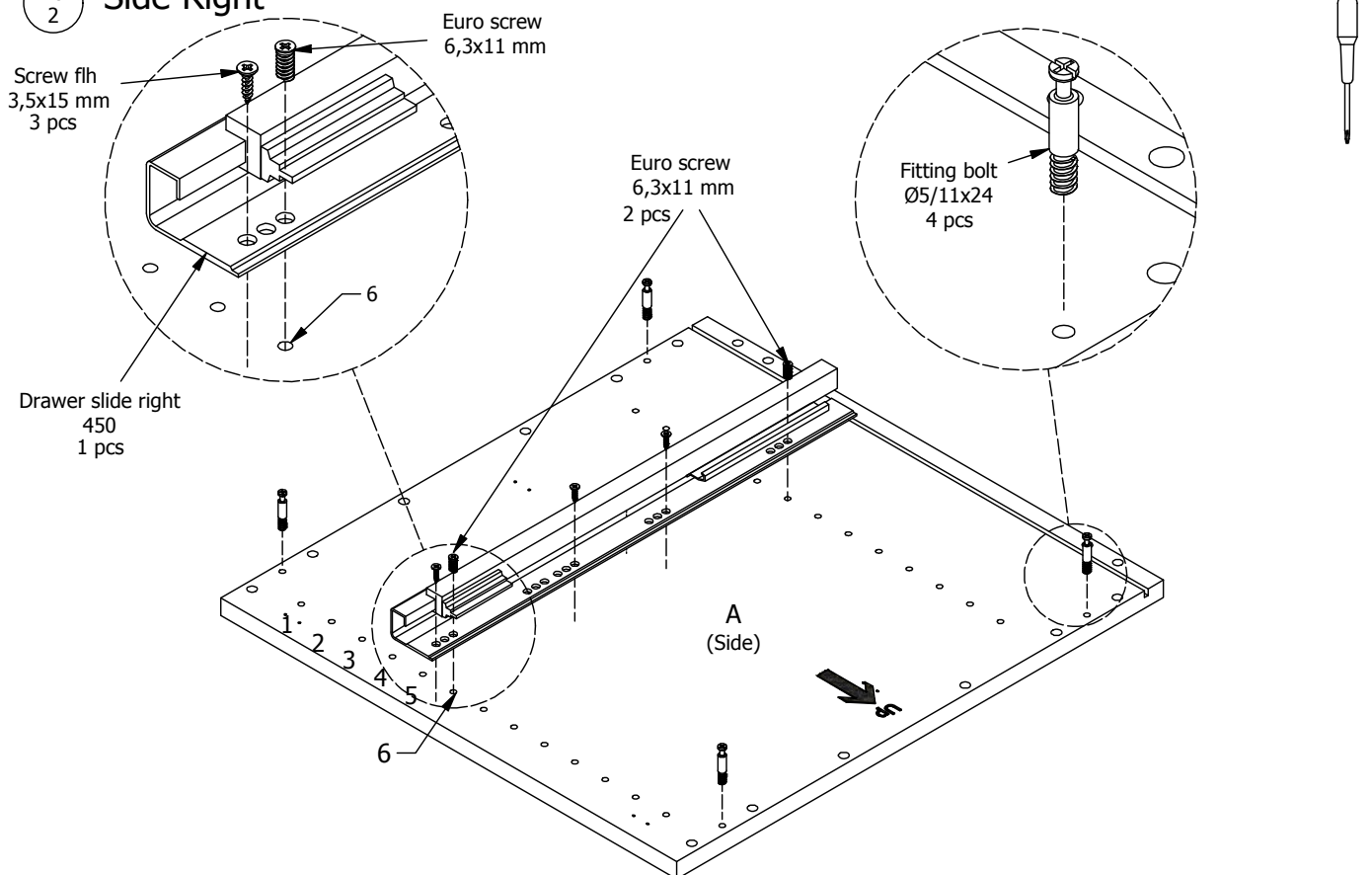


FIG. 3

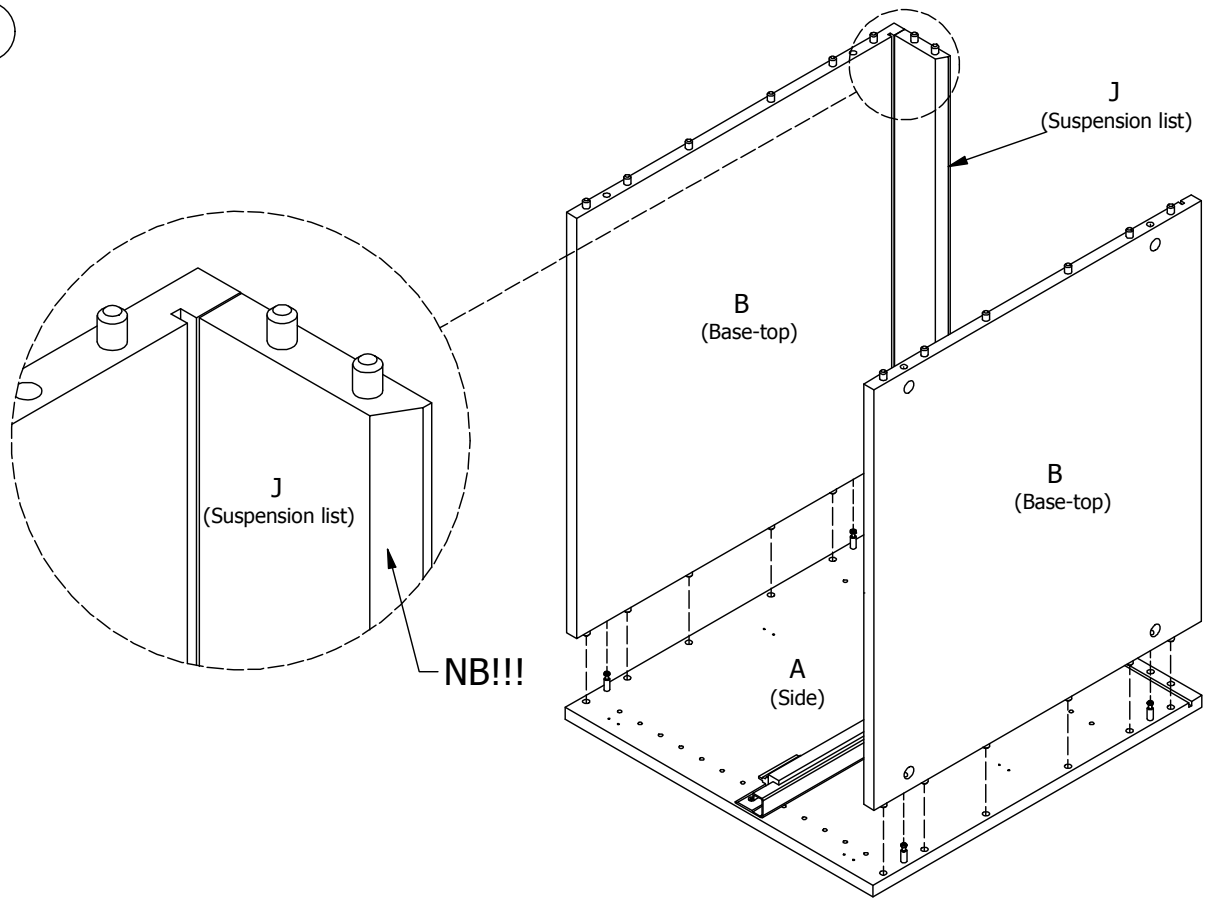


FIG. 4

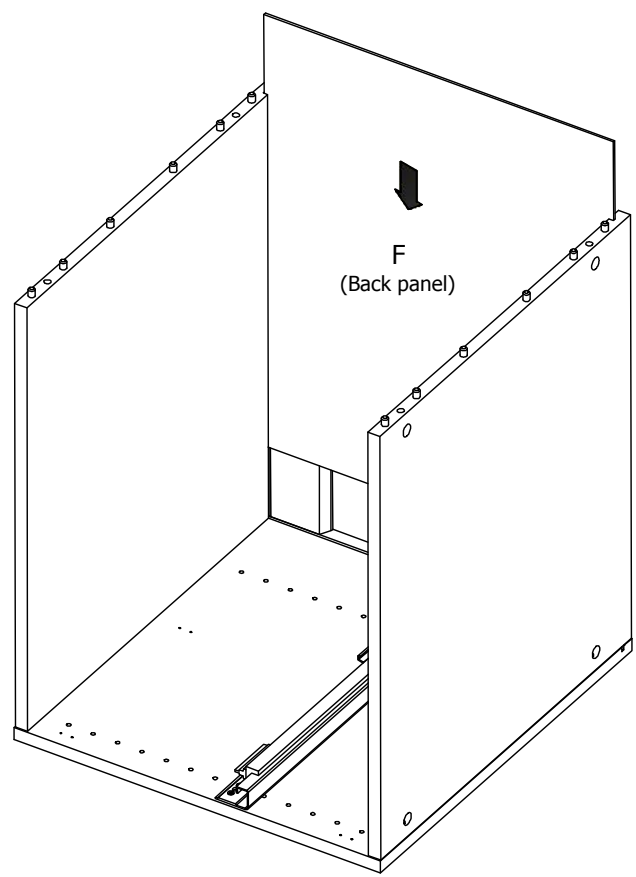


FIG. 5

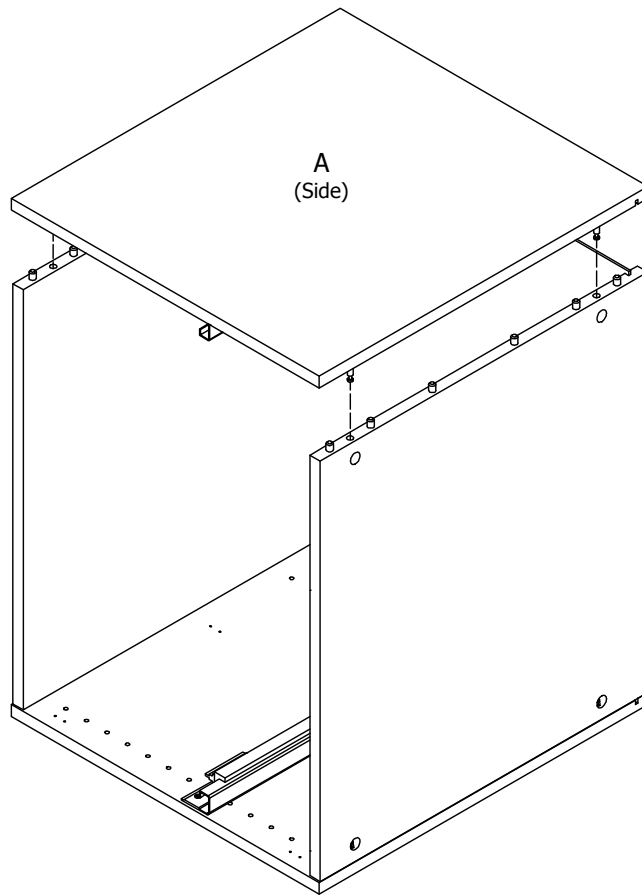


FIG. 6

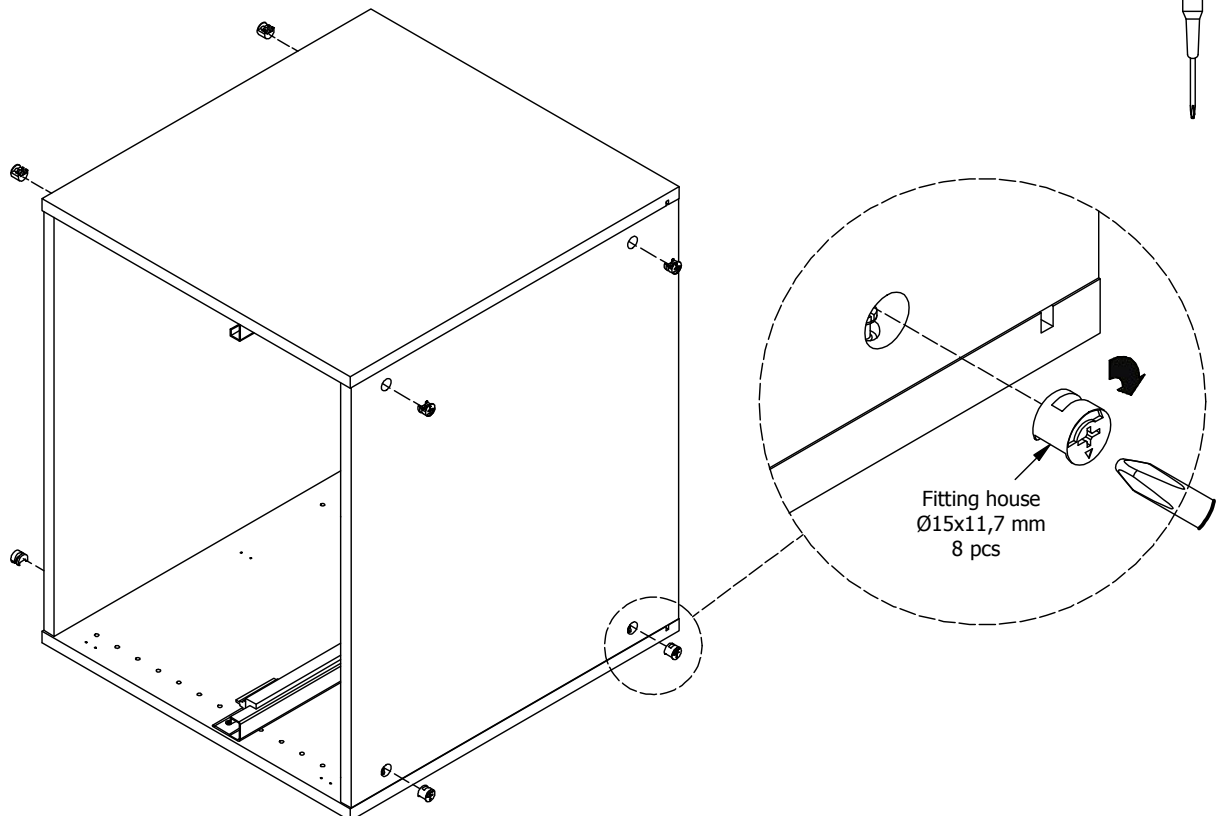


FIG. 7

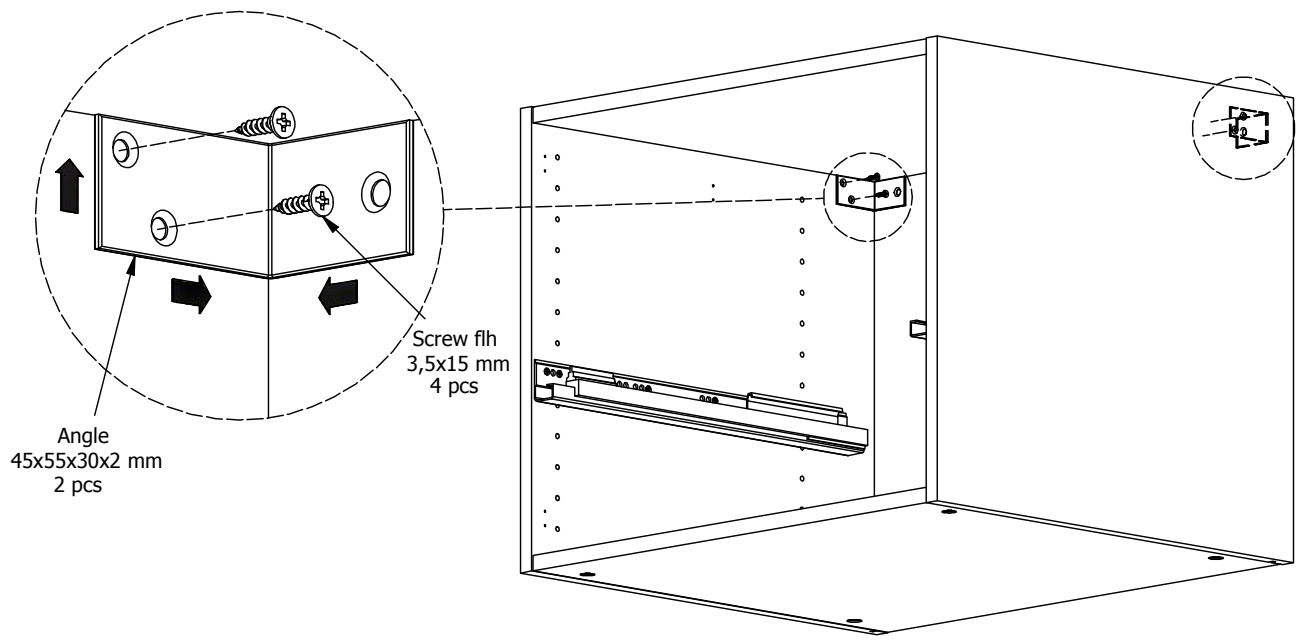


FIG. 8

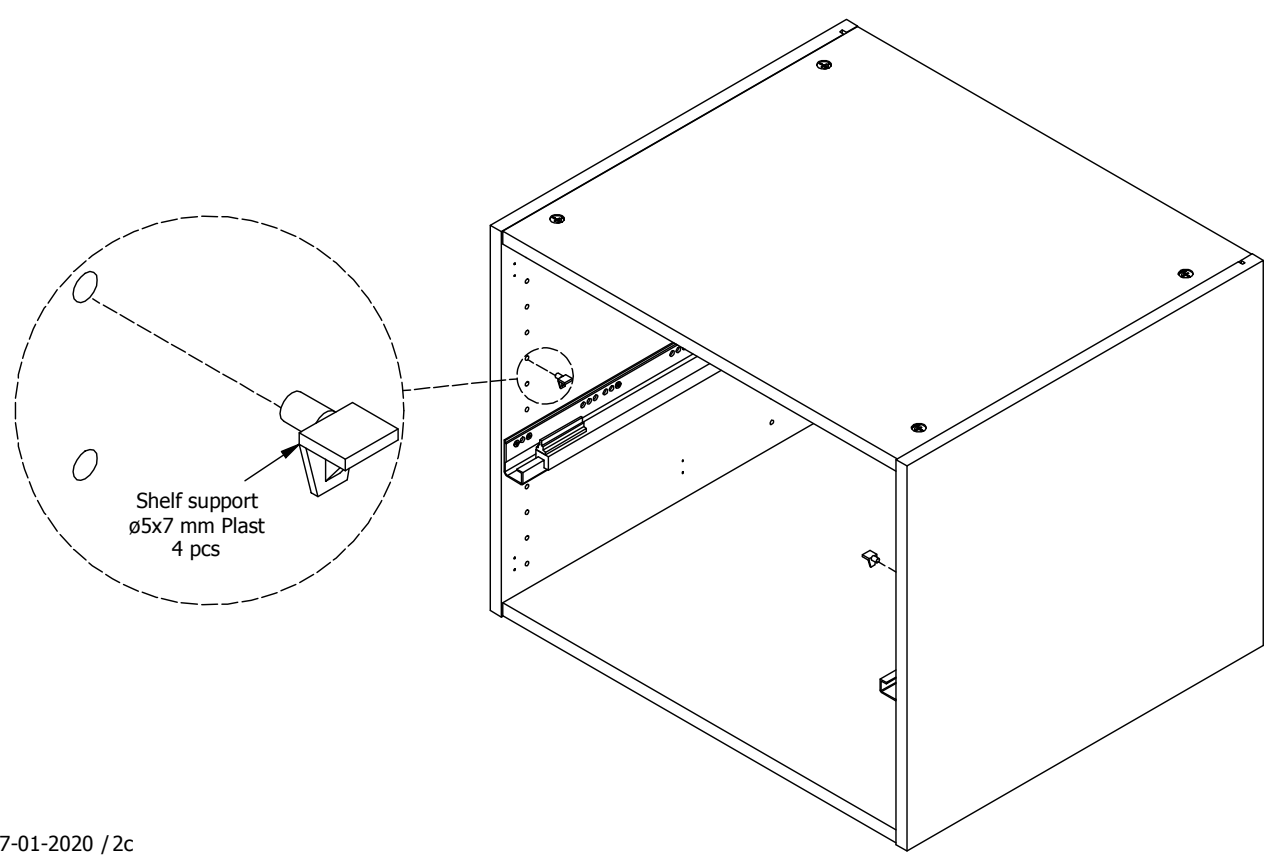


FIG. 9

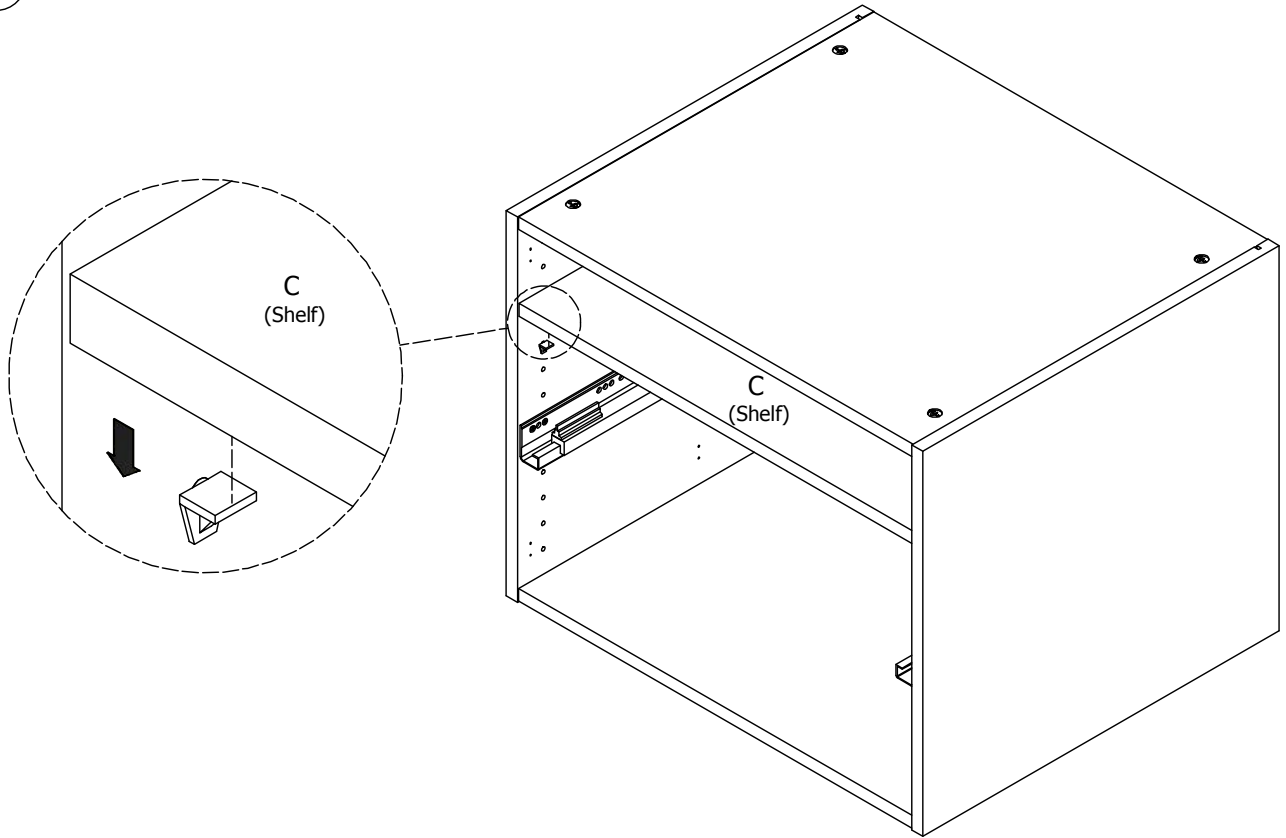


FIG. 10

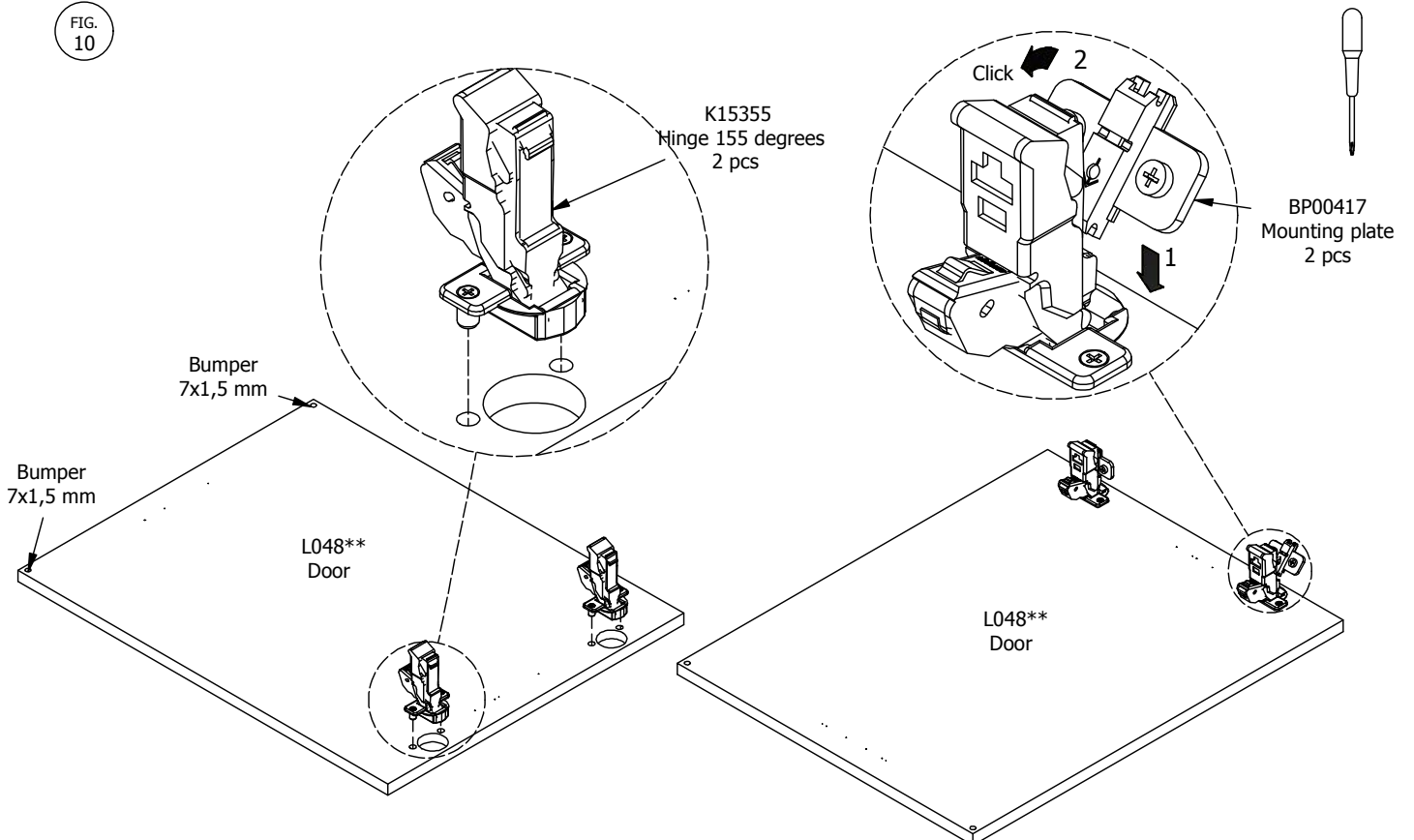


FIG. 11

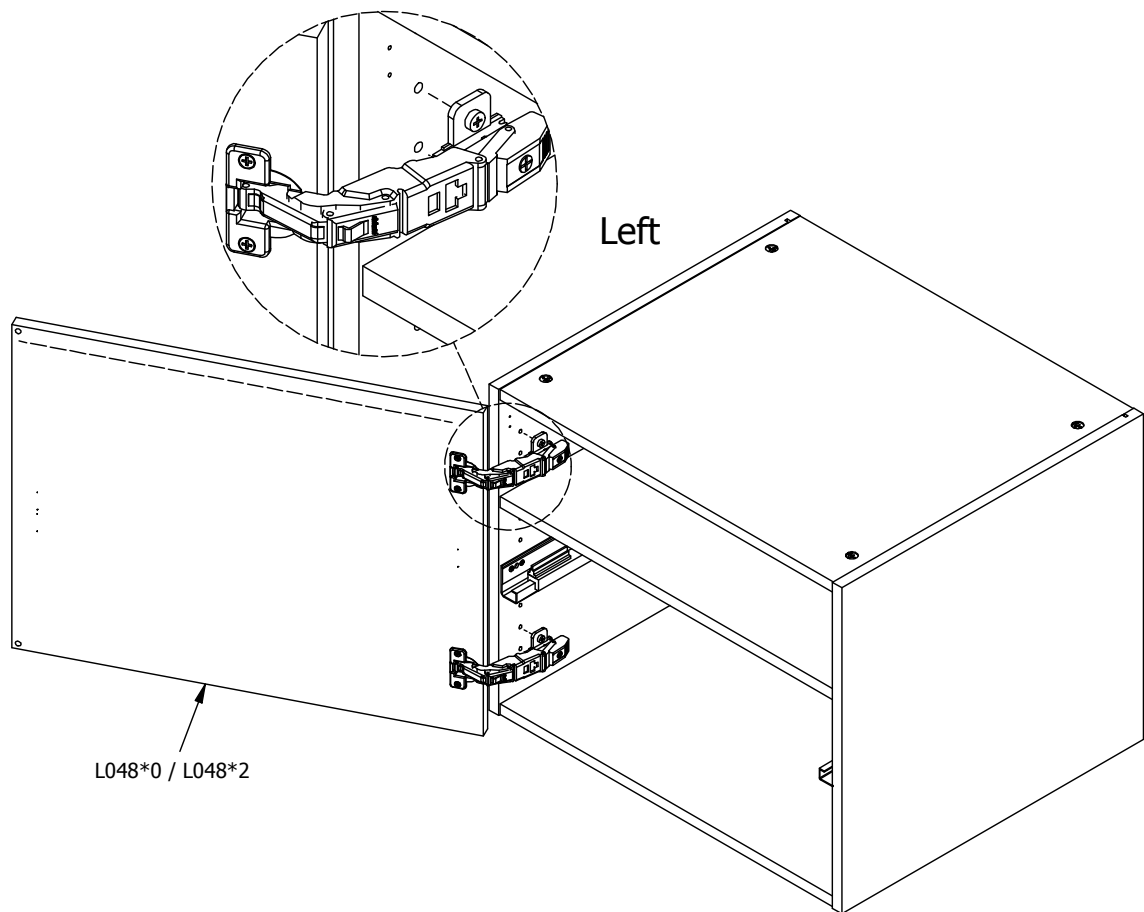


FIG. 12

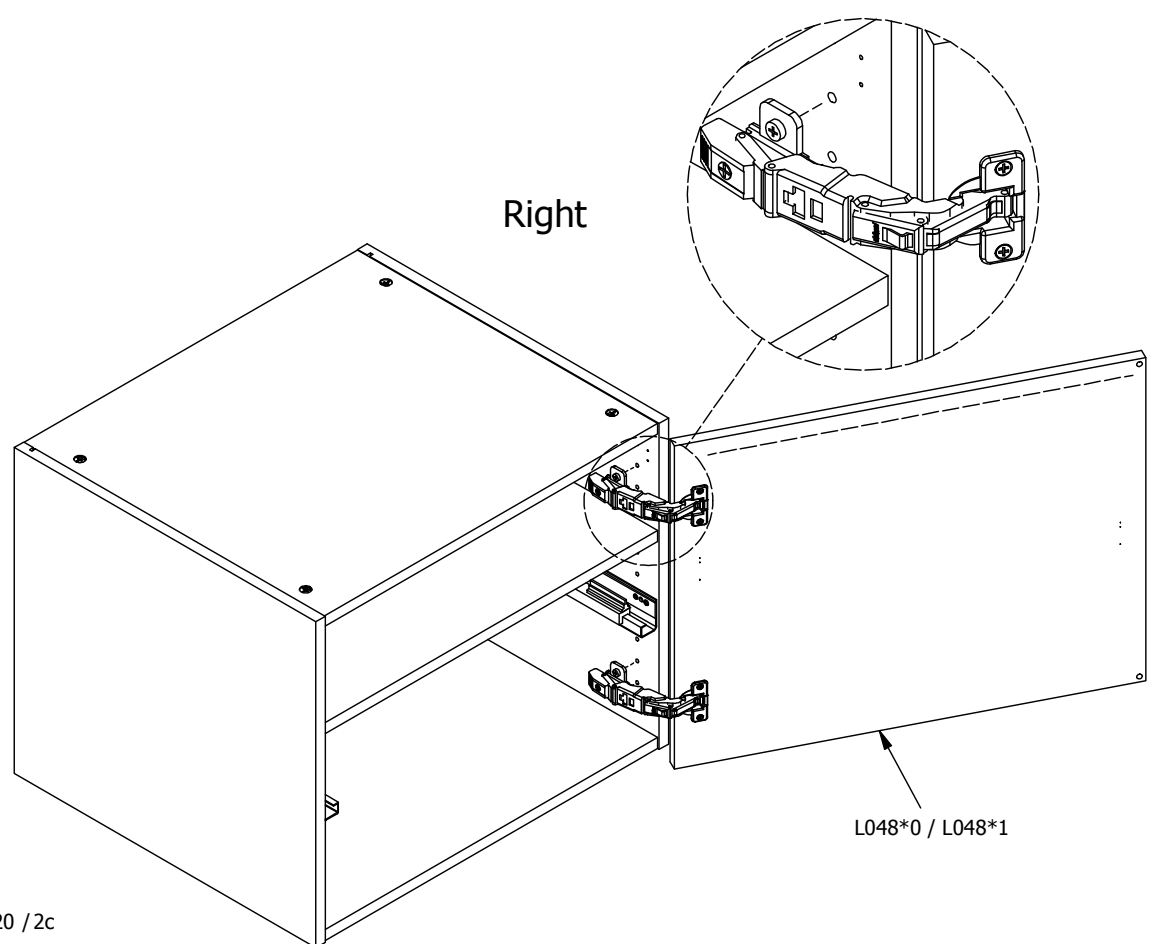
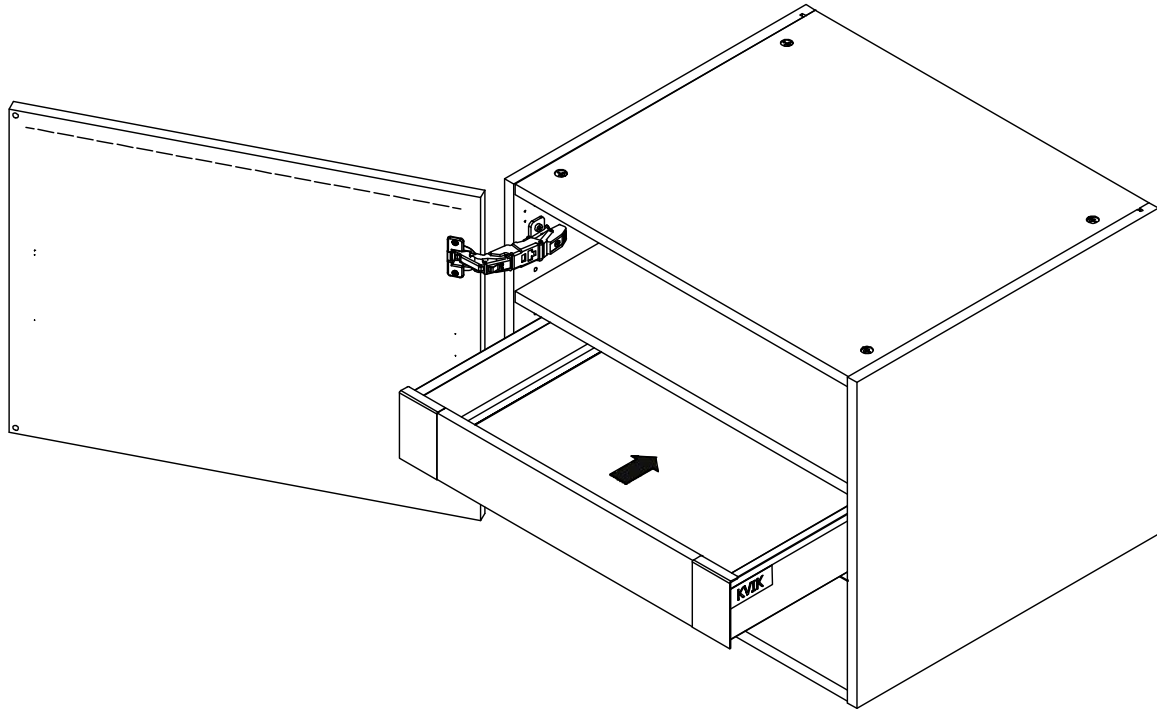
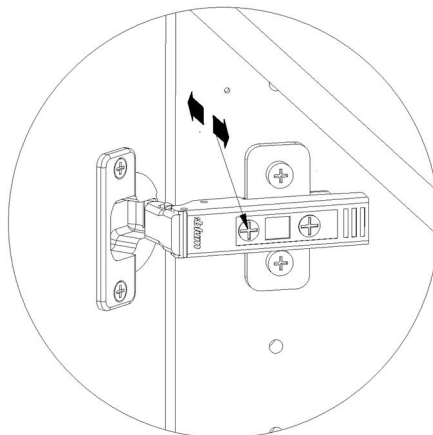
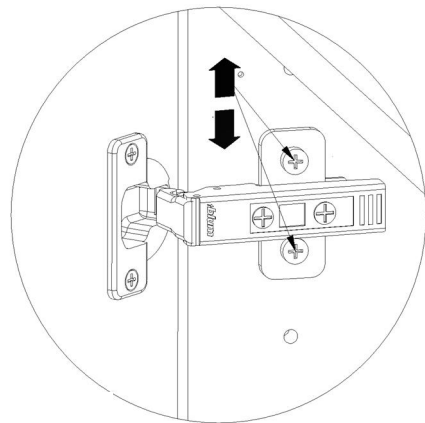
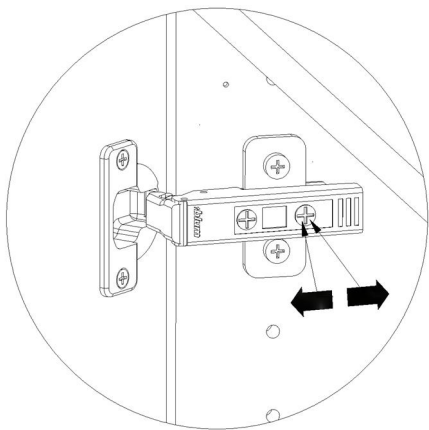




FIG. 13



### Adjustment



Installation, please read instruction SV12224

