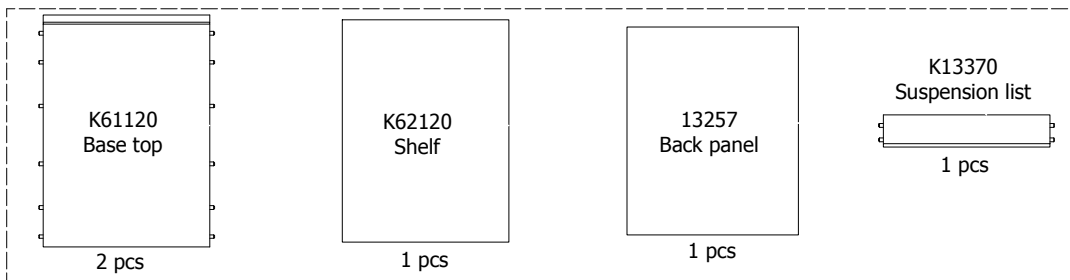


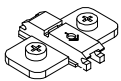
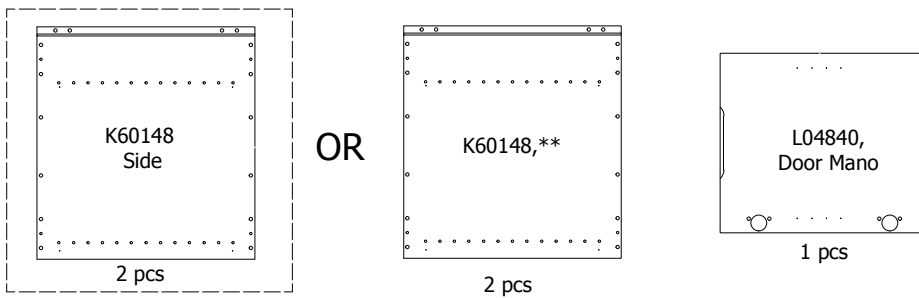
kvik

MDBU4810,040

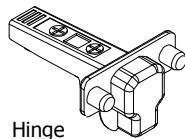
BU5140,000



US4851,000



Mounting
plate
2 pcs



Hinge
107 degrees
2 pcs

BP00260-BP00250

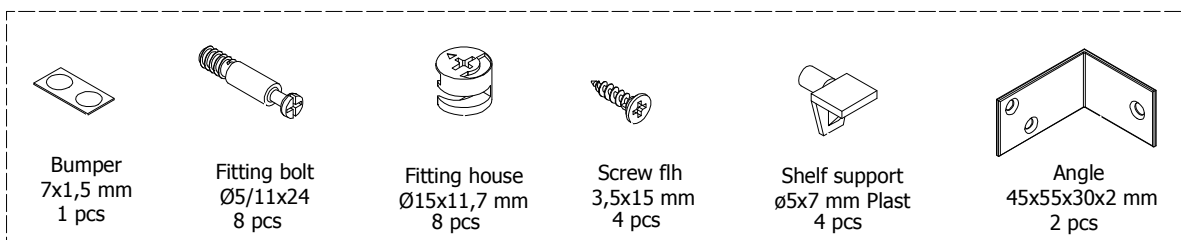


FIG. 1

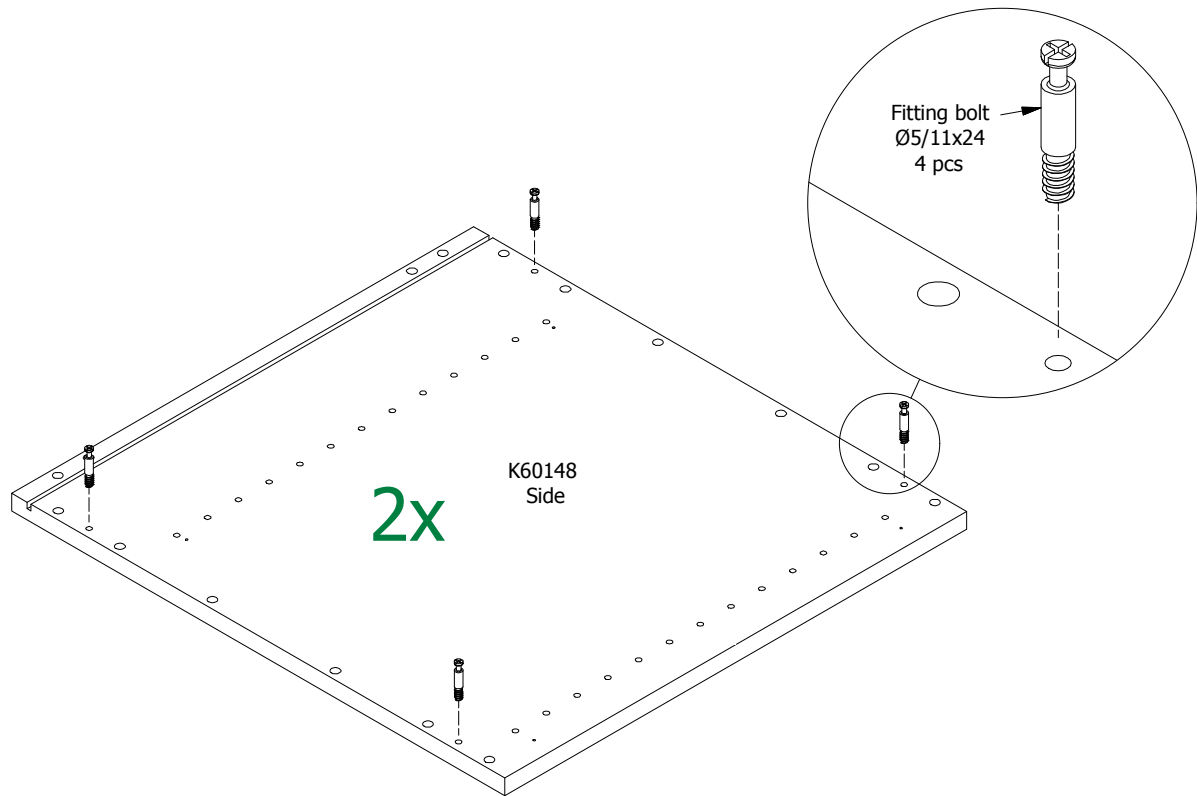


FIG. 2

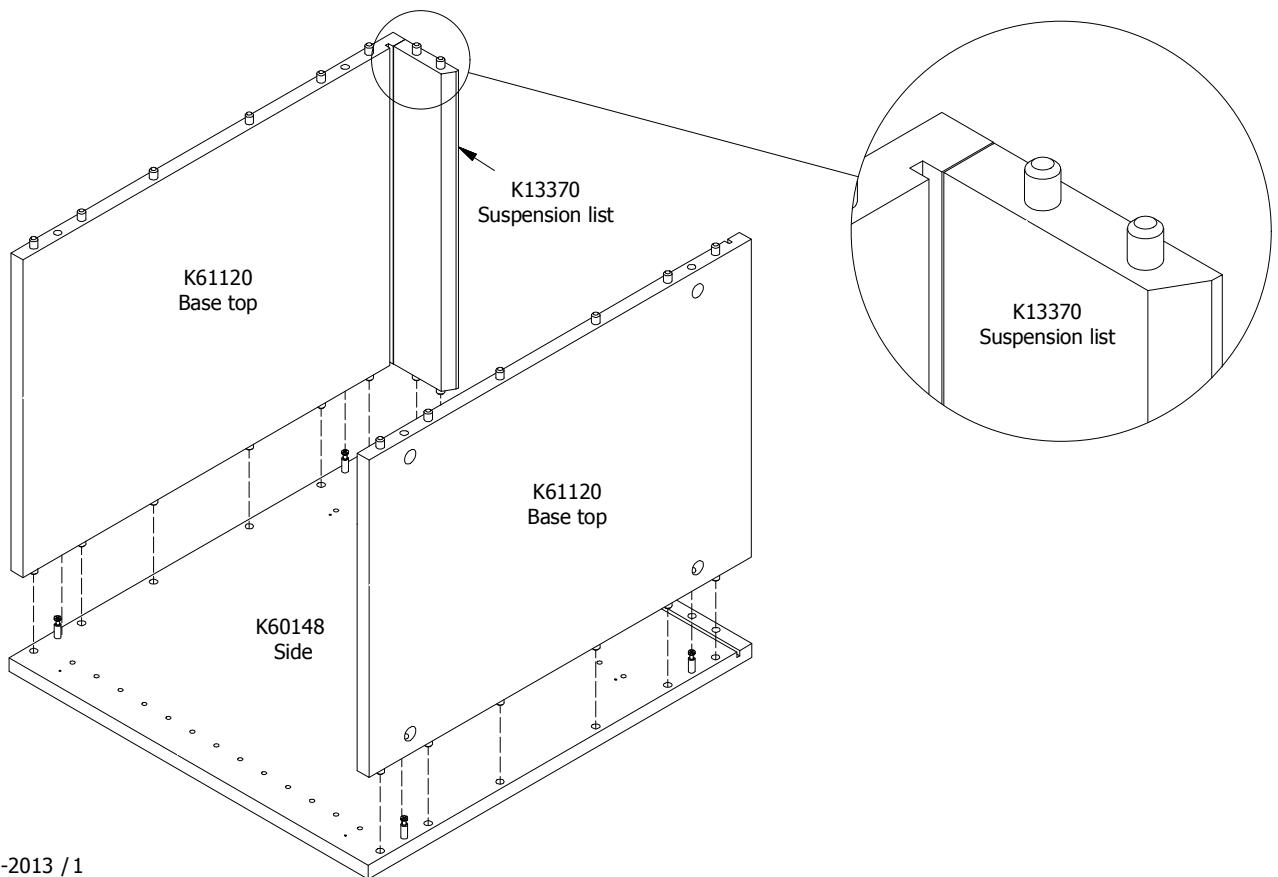


FIG.
3

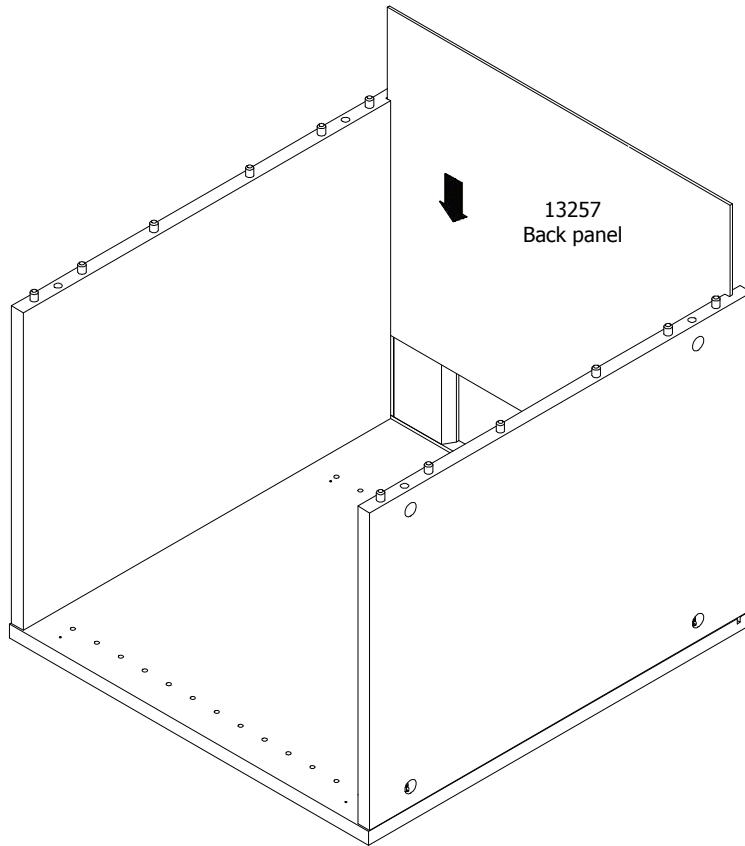


FIG.
4

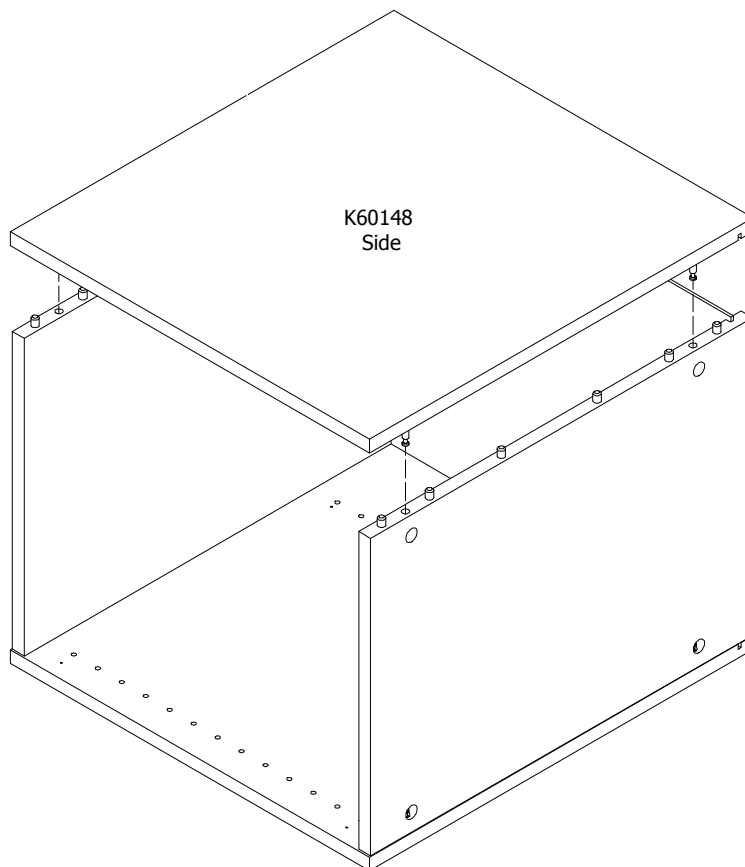


FIG. 5

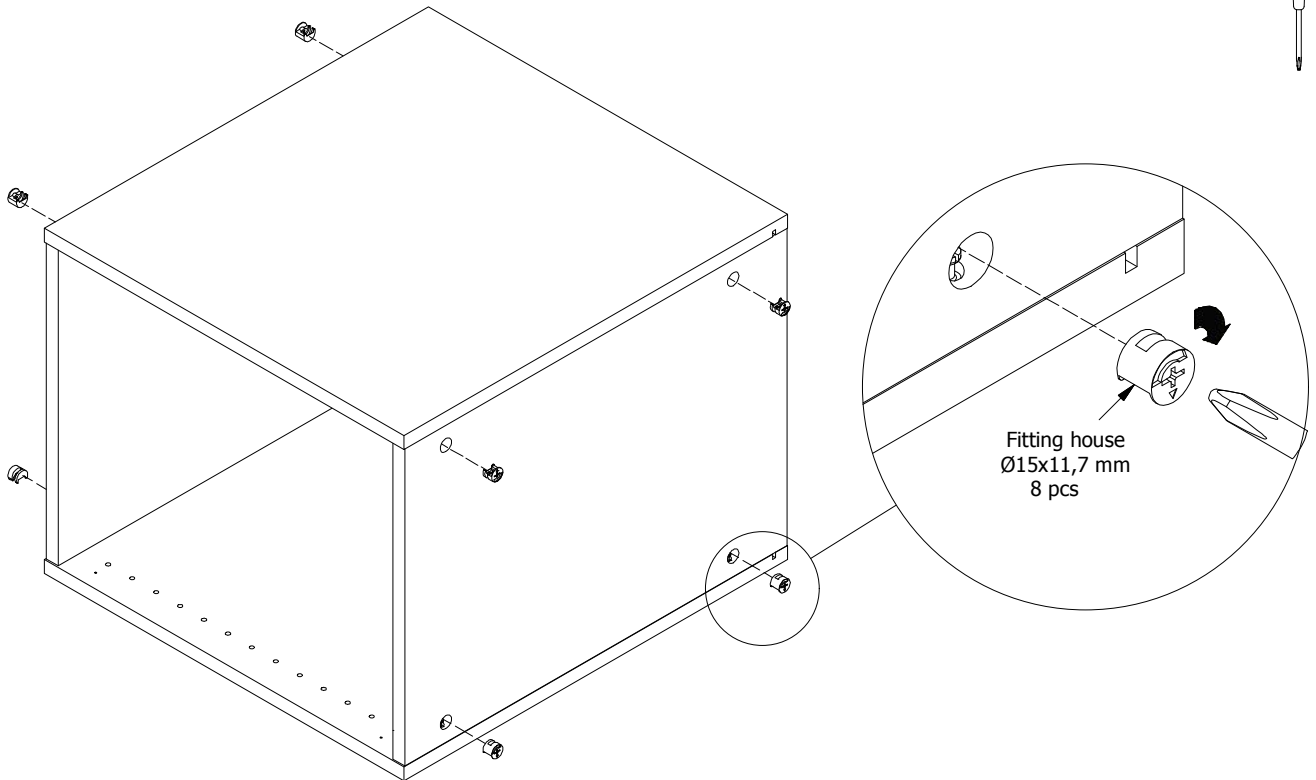


FIG. 6

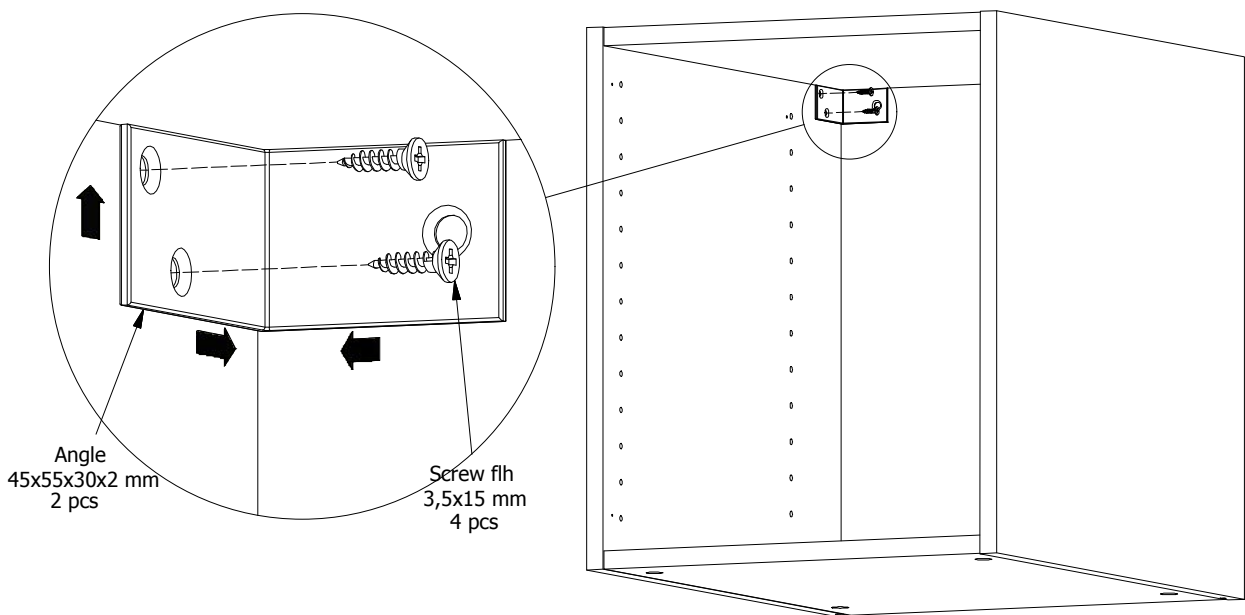


FIG.
7

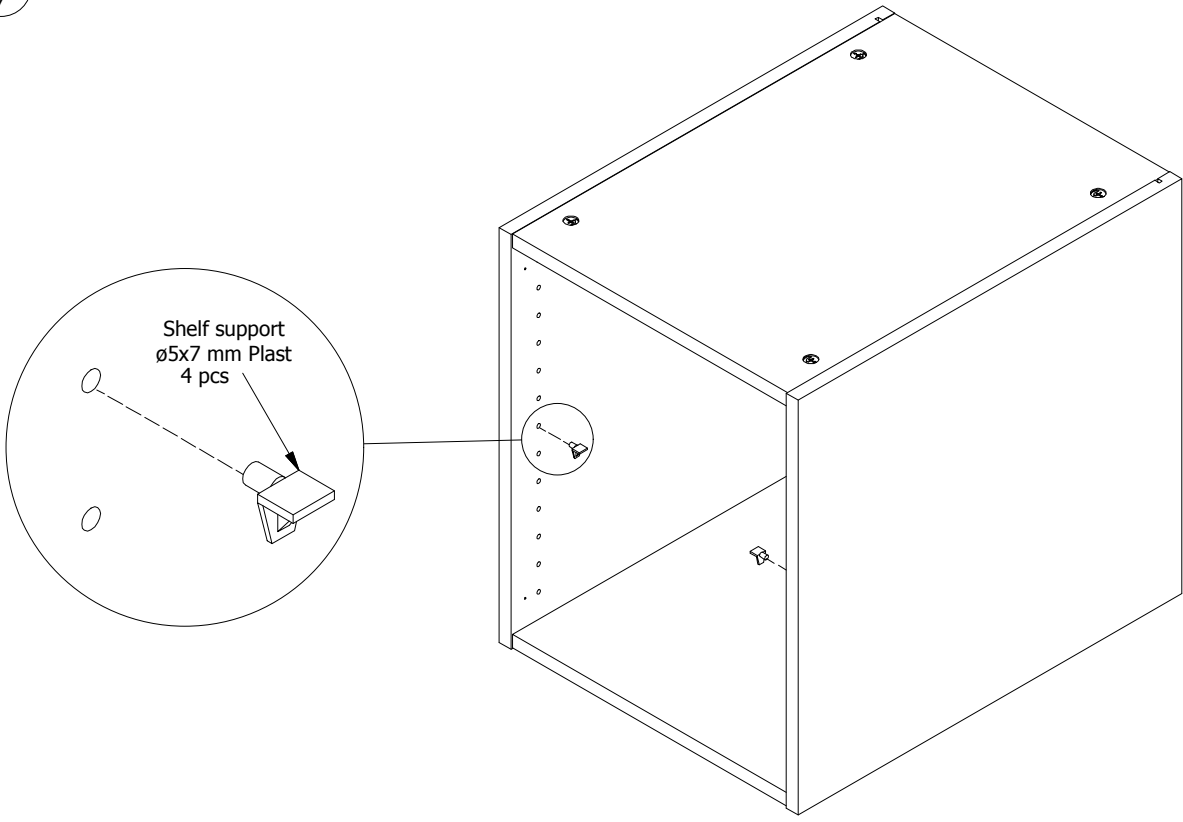


FIG.
8

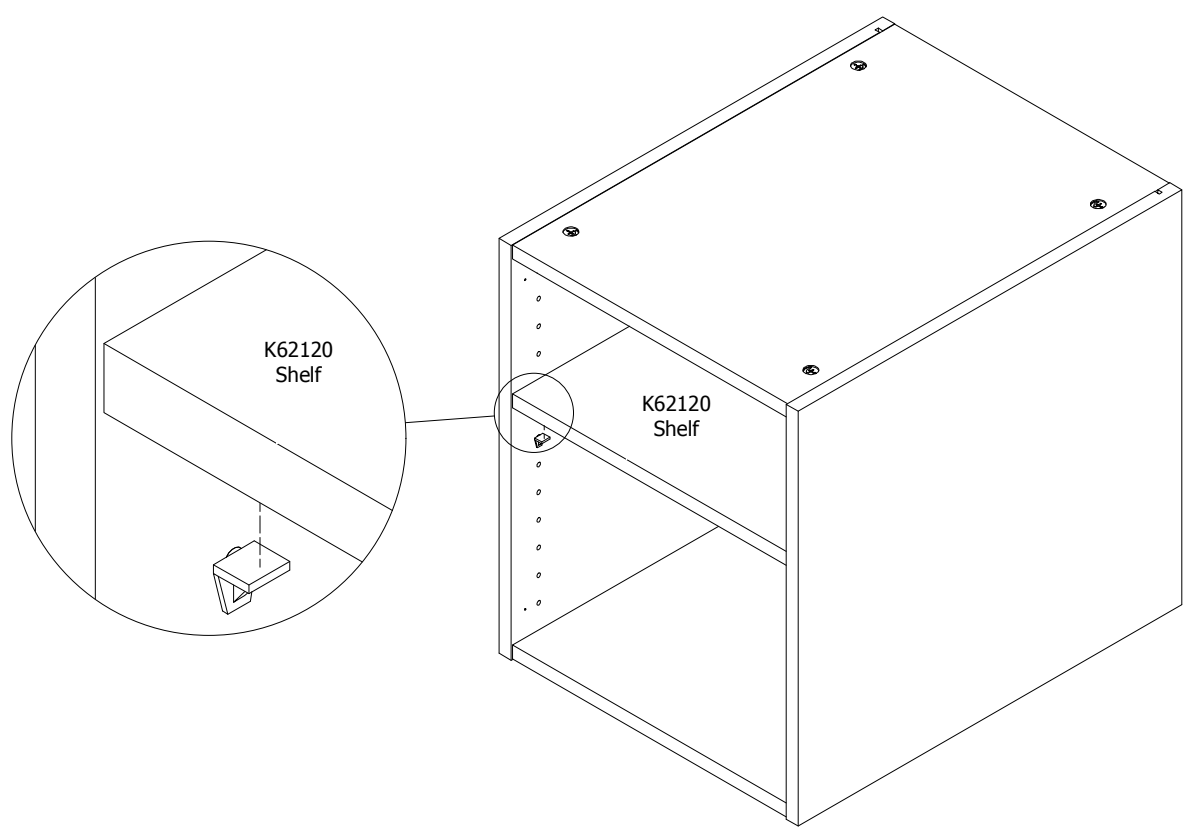


FIG. 9

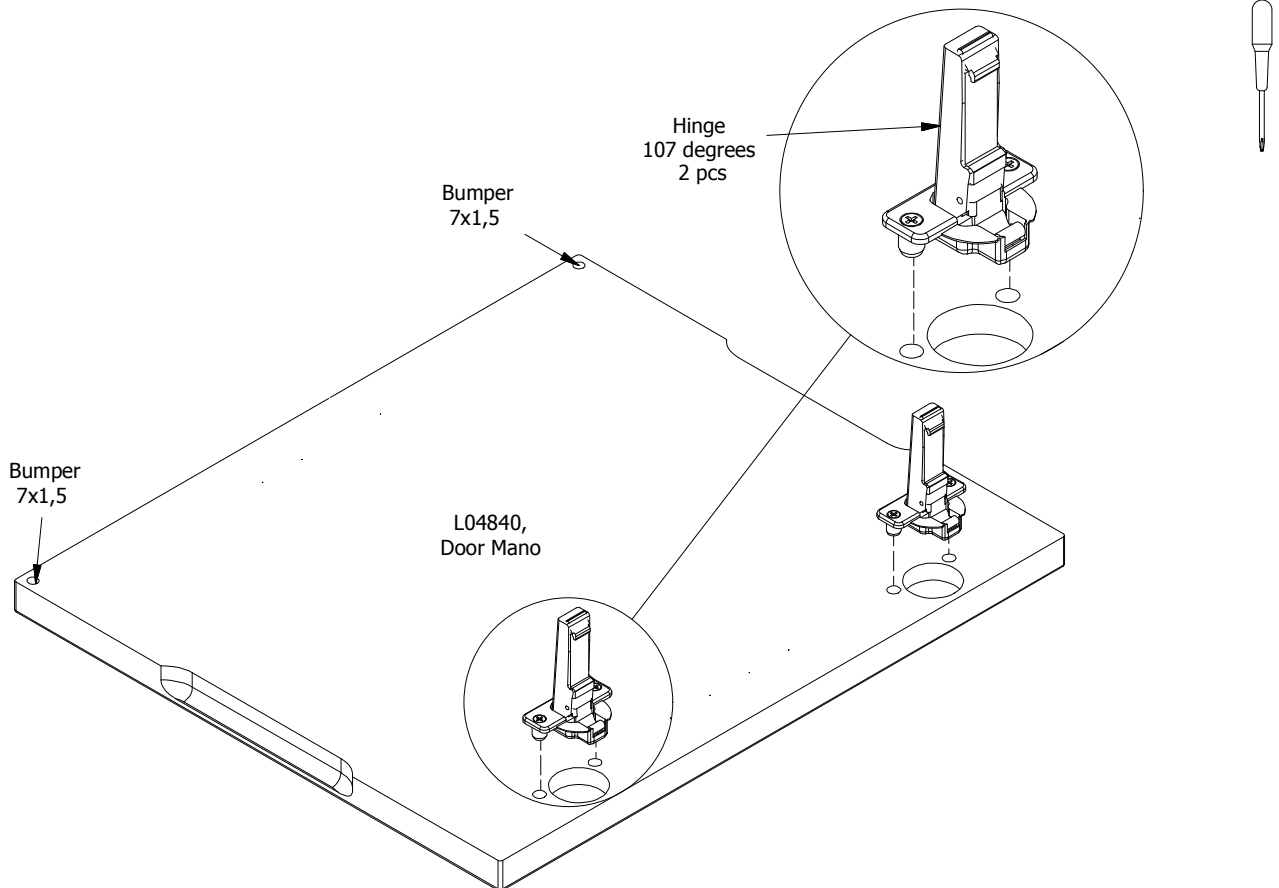


FIG. 10

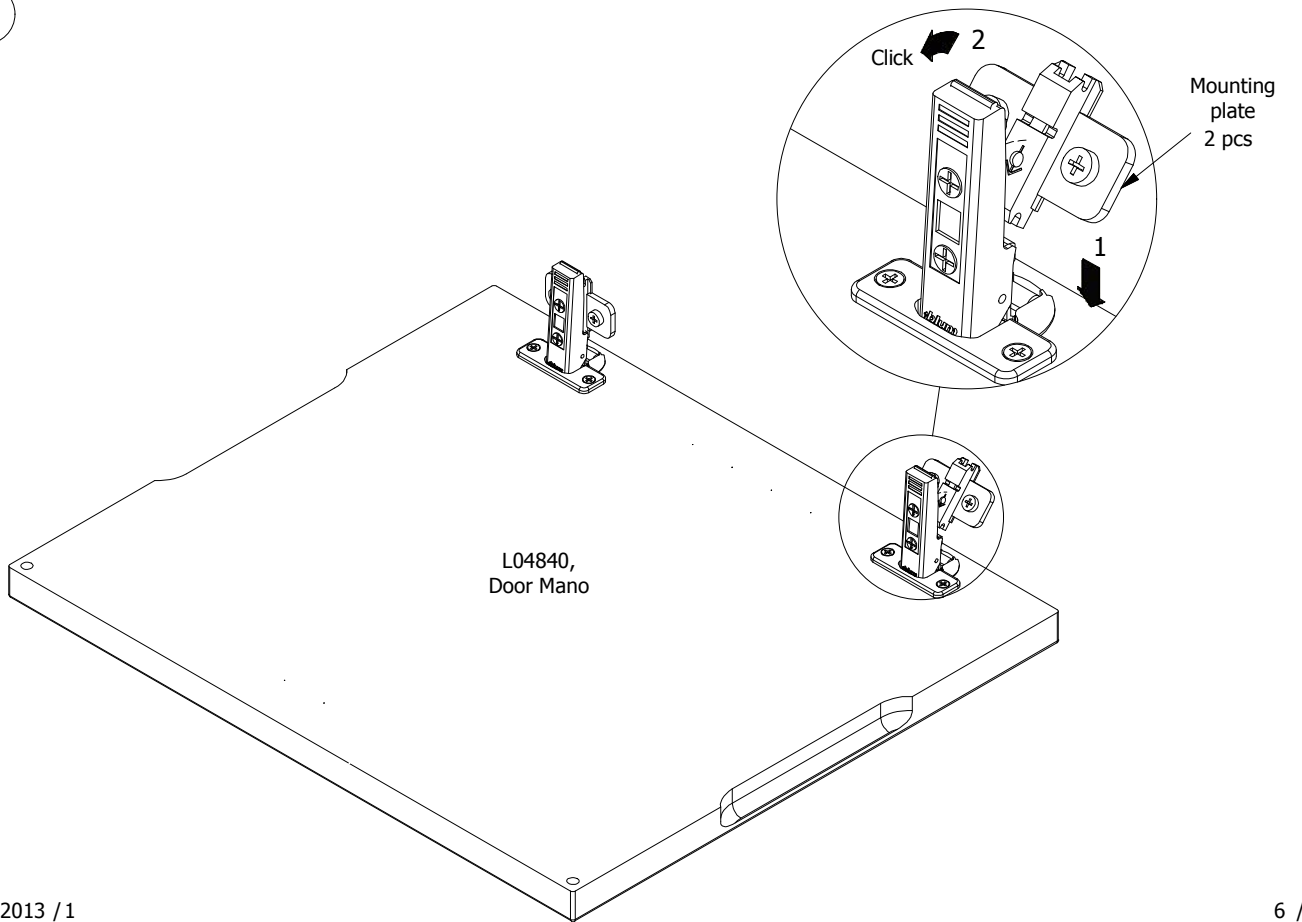


FIG. 11

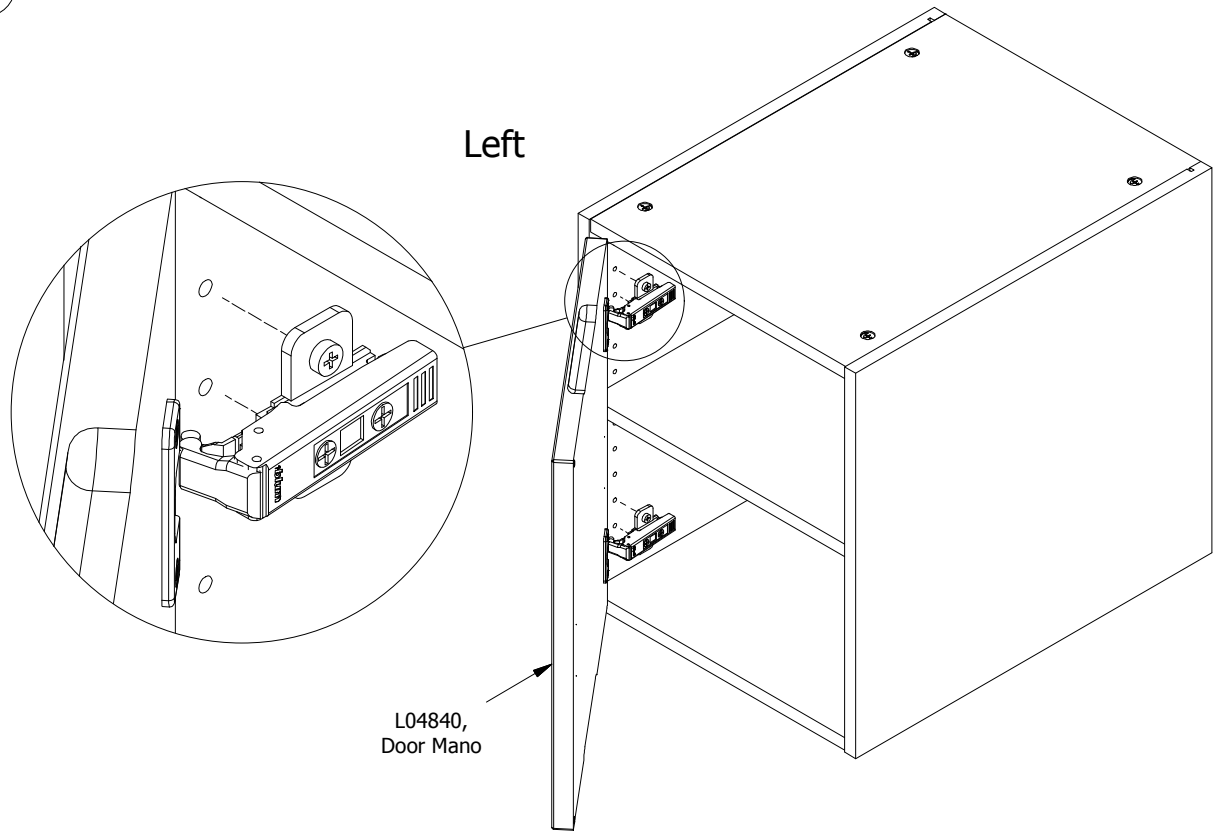
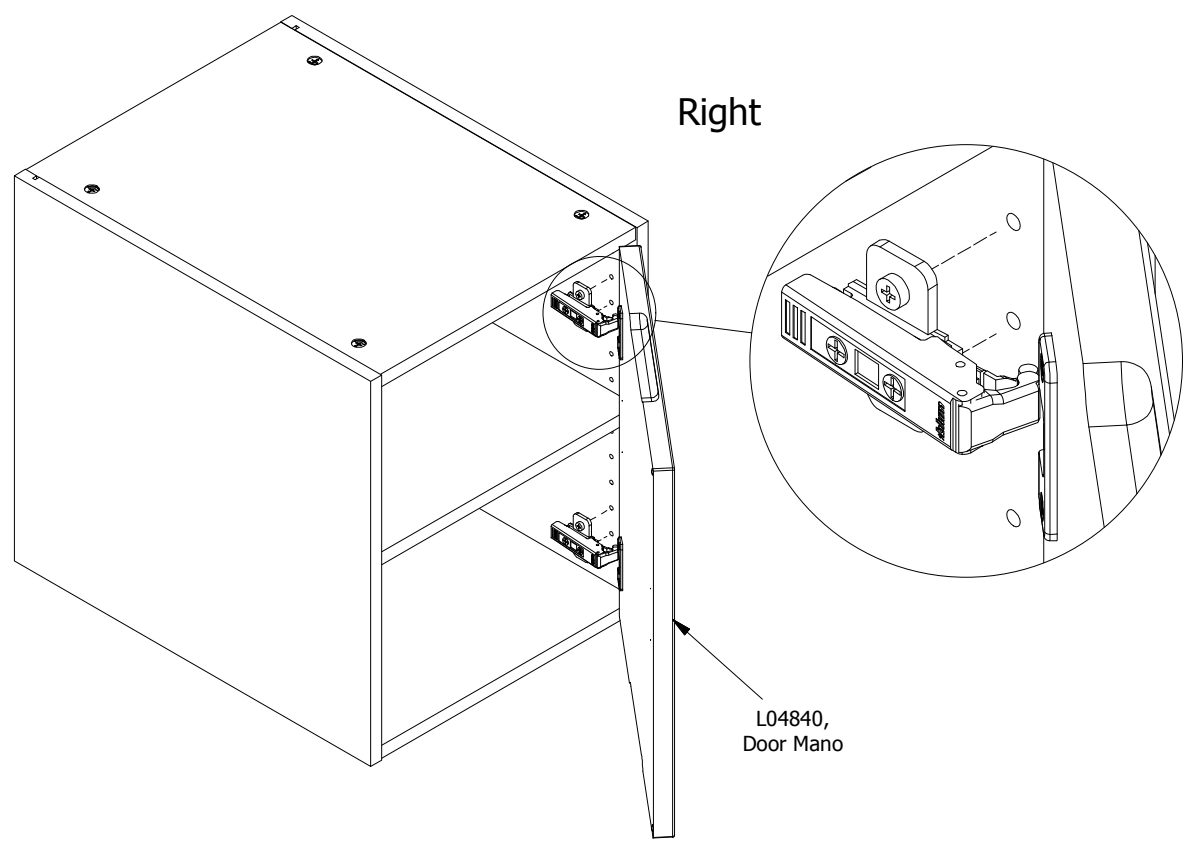


FIG. 12



Adjustment

