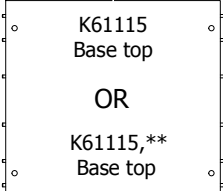


kvik 

MDBU4806,060

BU5160,**

US4851,000/KVIK

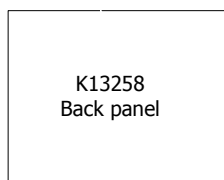


K61115
Base top

OR


K61115,**
Base top

1 pcs



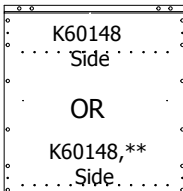
K13258
Back panel

1 pcs



K13360
Suspension list

1 pcs



K60148
Side

OR

K60148,**
Side

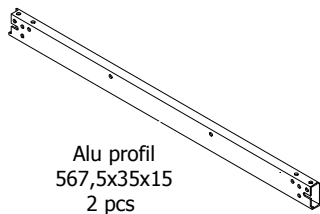
2 pcs

L01660
Drawer front Mano

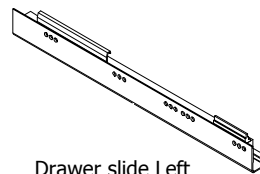
1 pcs

K61216
List back

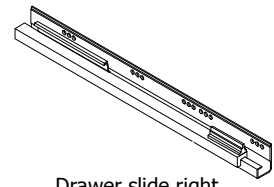
1 pcs



Alu profil
567,5x35x15
2 pcs




Drawer slide Left
450
1 pcs

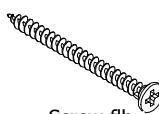


Drawer slide right
450
1 pcs


BP00260-BP00250-BP00340-BP01904



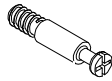
Screw flh
3,5x15 mm
22 pcs




Screw flh
3,5x45 mm
1 pcs



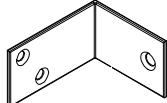
Euro screw
6,3x11 mm
6 pcs



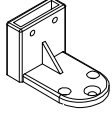
Fitting bolt
Ø5/11x24
4 pcs




Fitting house
Ø15x11,7 mm
4 pcs




Angle
45x55x30x2 mm
2 pcs



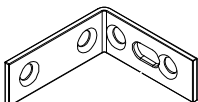
Rail holder front
48,5x30 mm
2 pcs



Euro screw
Ø4,2x9,5
4 pcs



Euro screw
Ø5,8x15
2 pcs



Angle
46x43 mm
4 pcs

FIG. 1

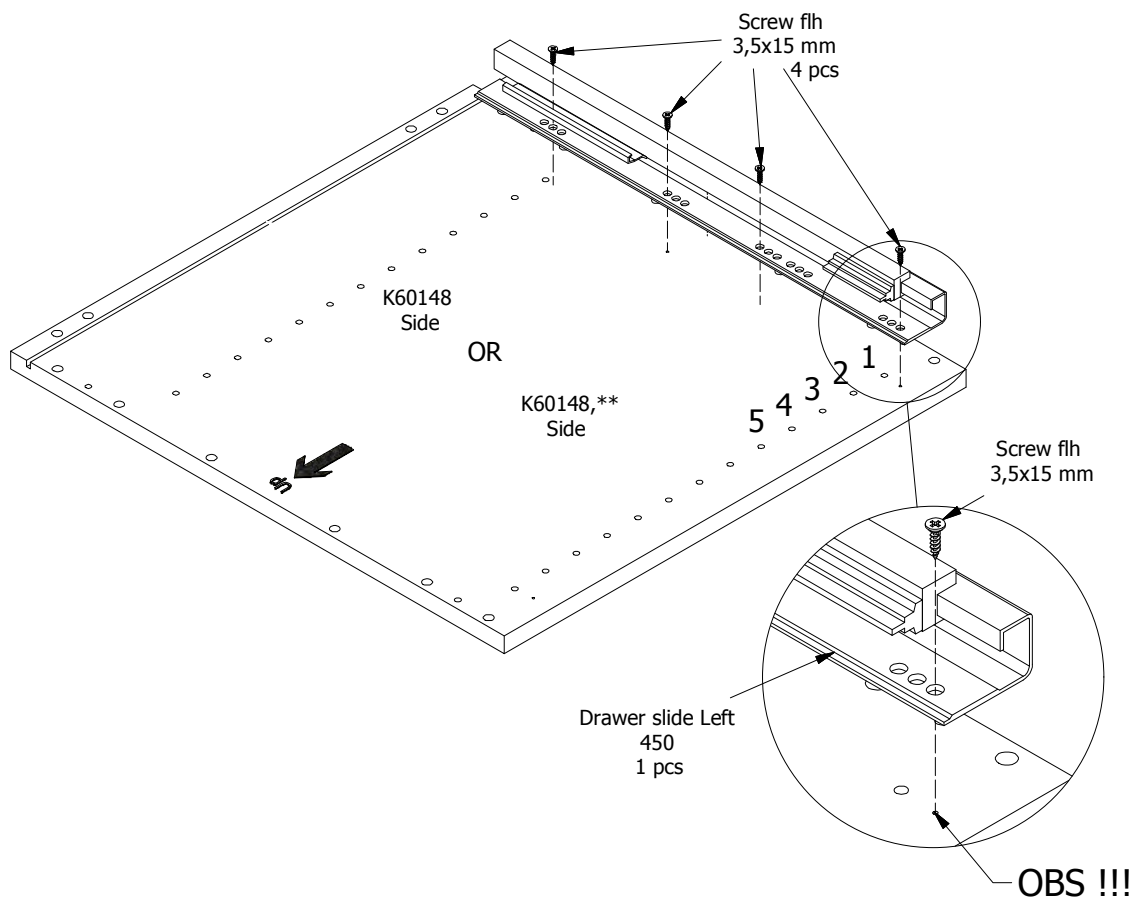


FIG. 2

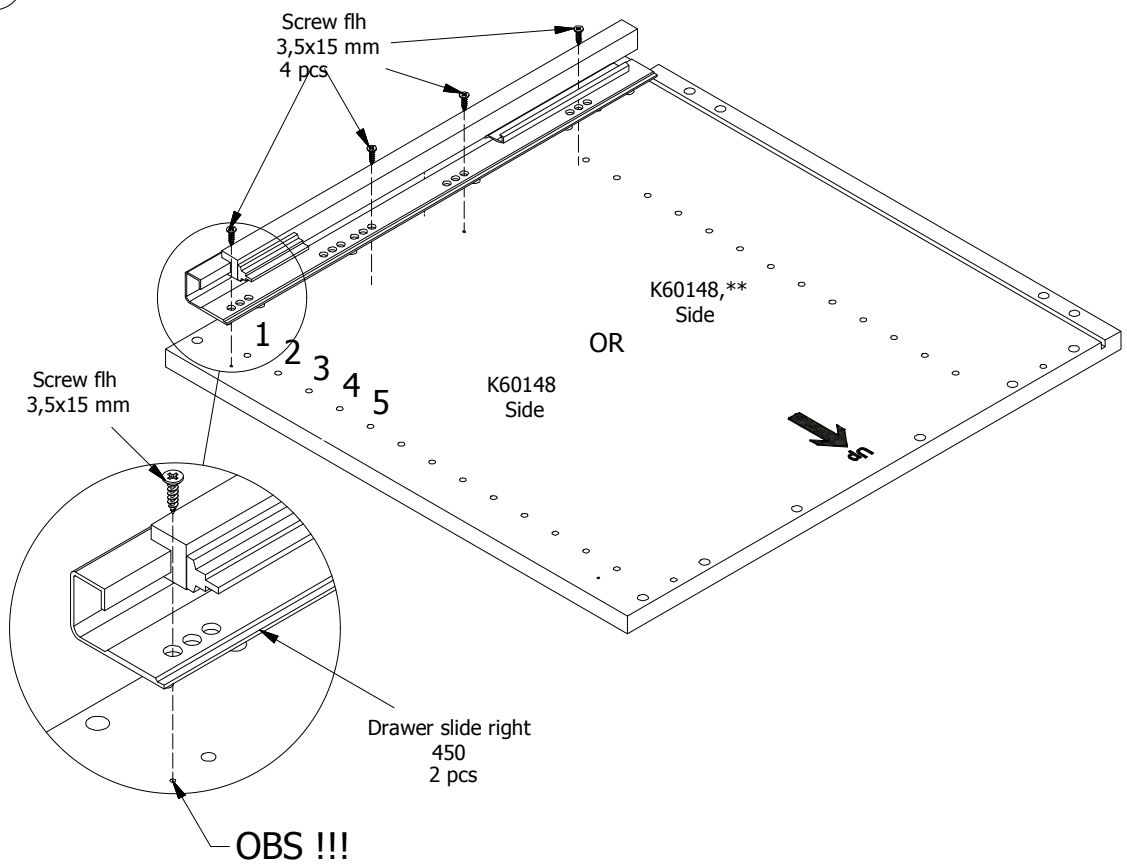


FIG. 3

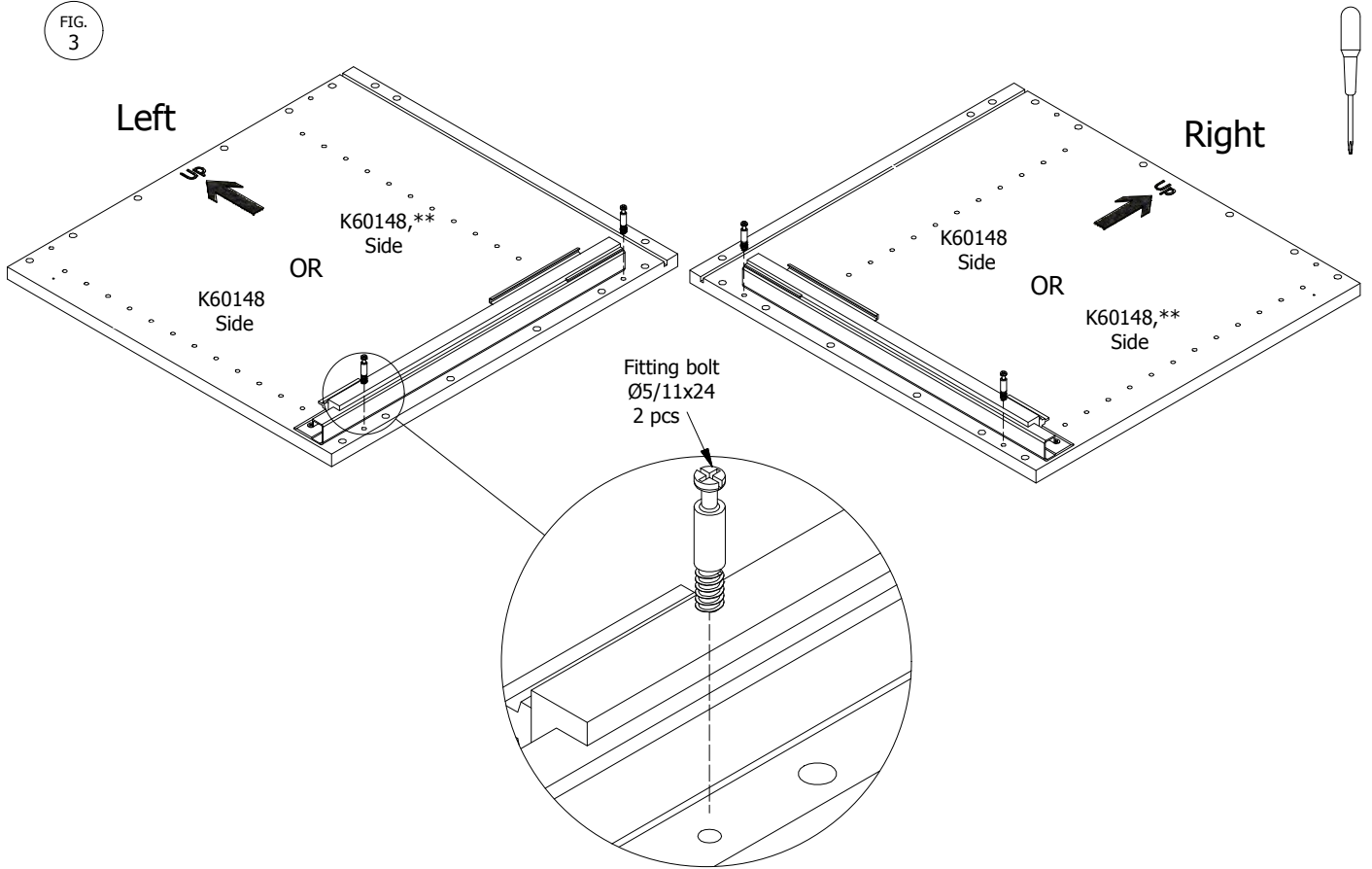


FIG. 4

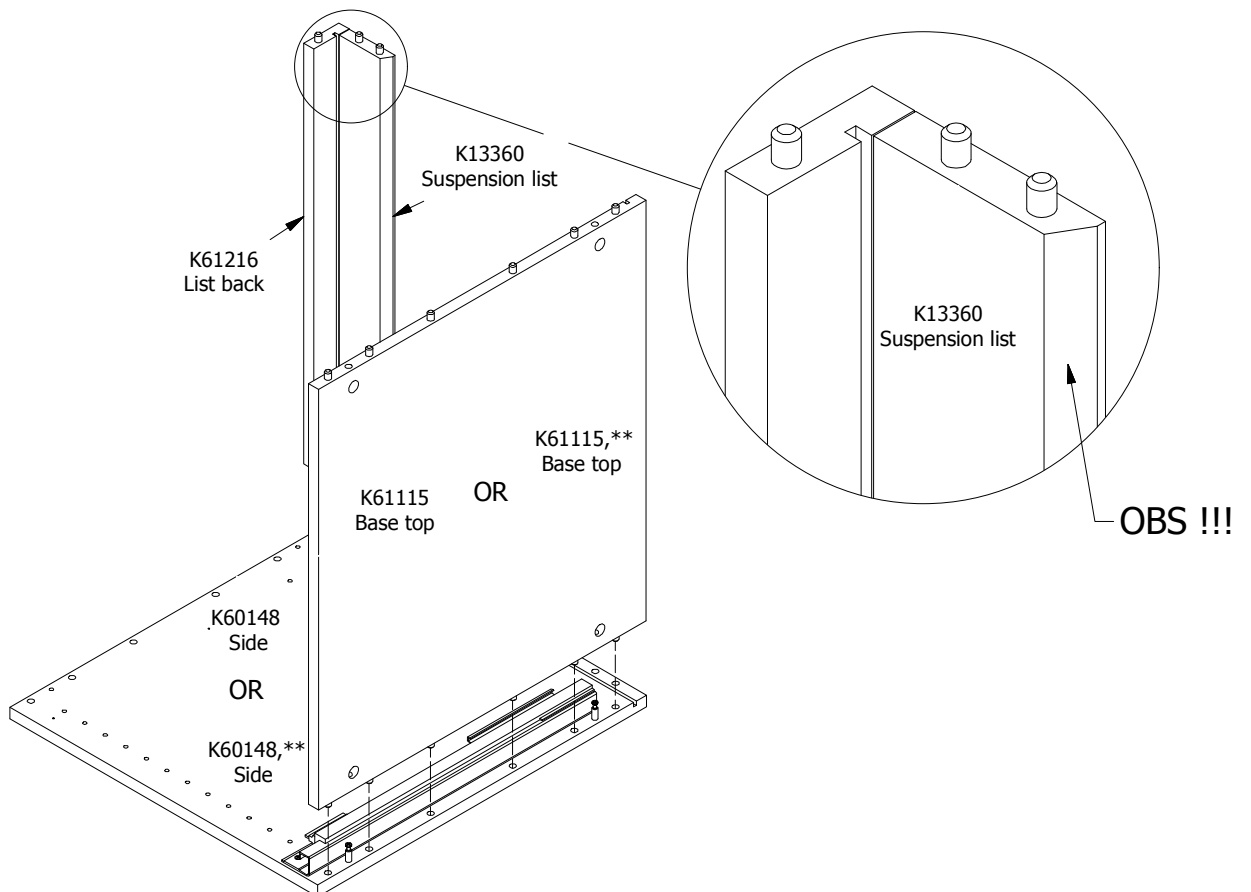


FIG.
5

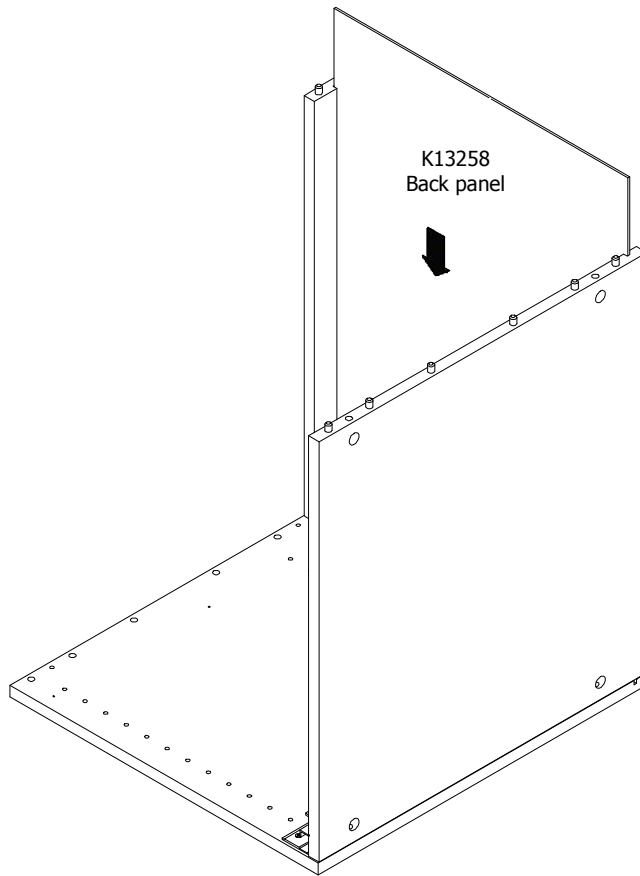


FIG.
6

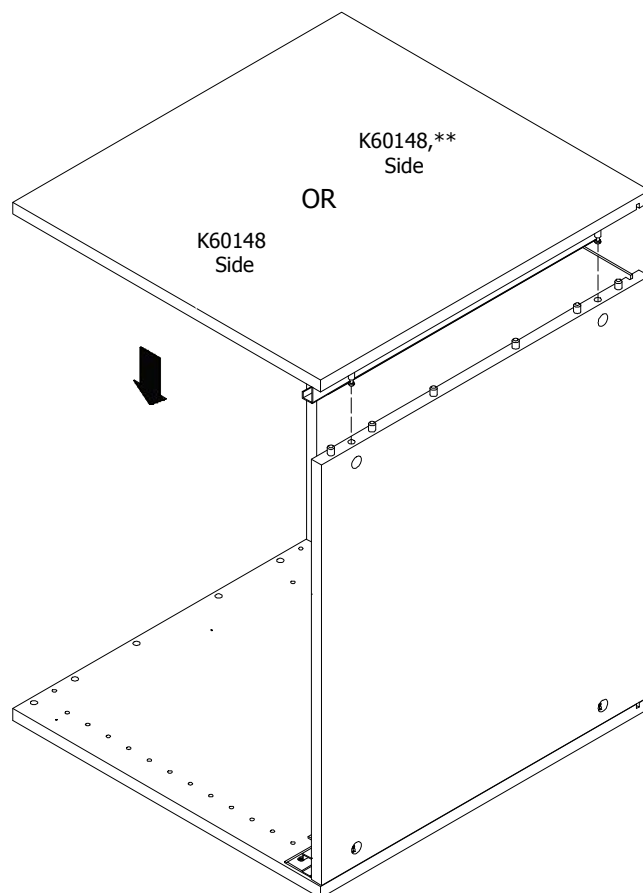


FIG. 7

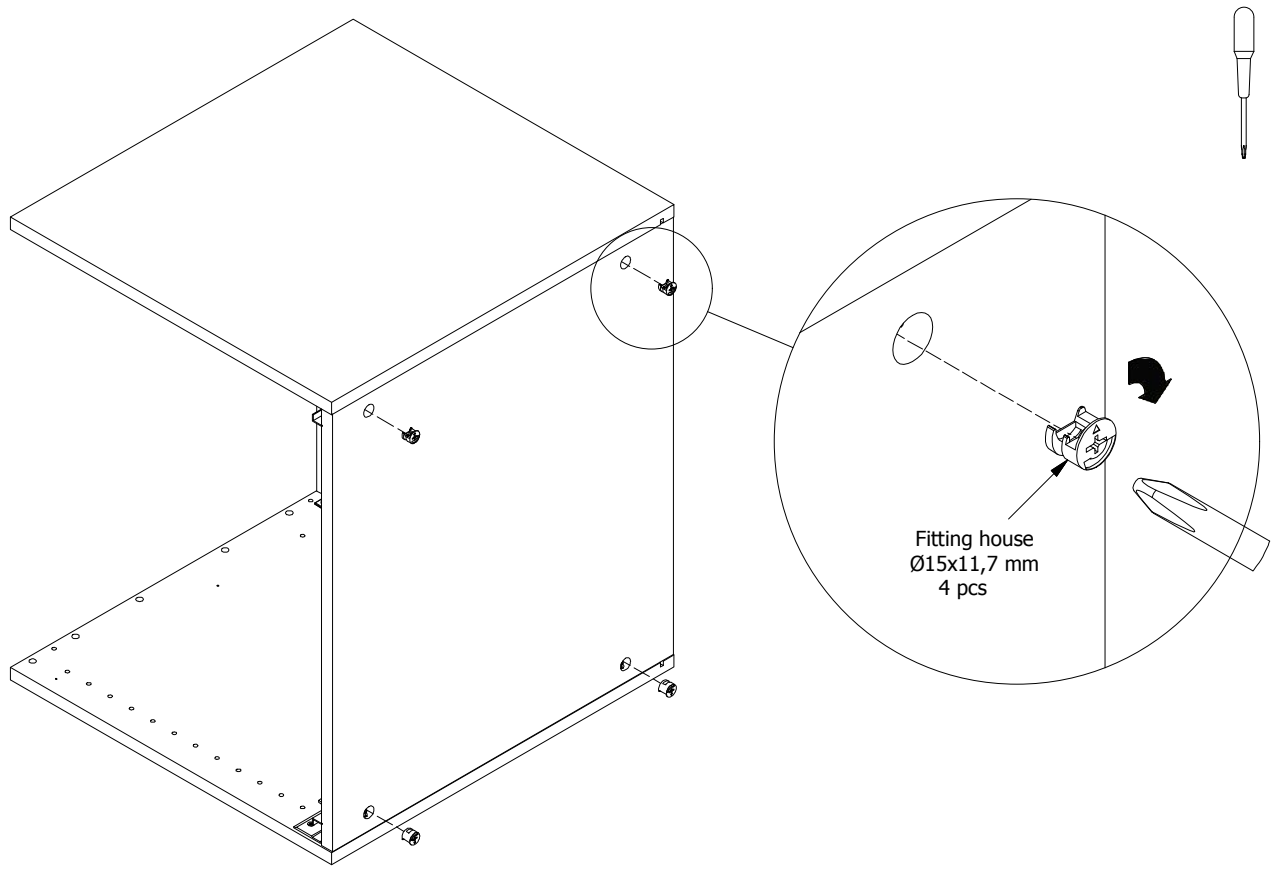


FIG. 8

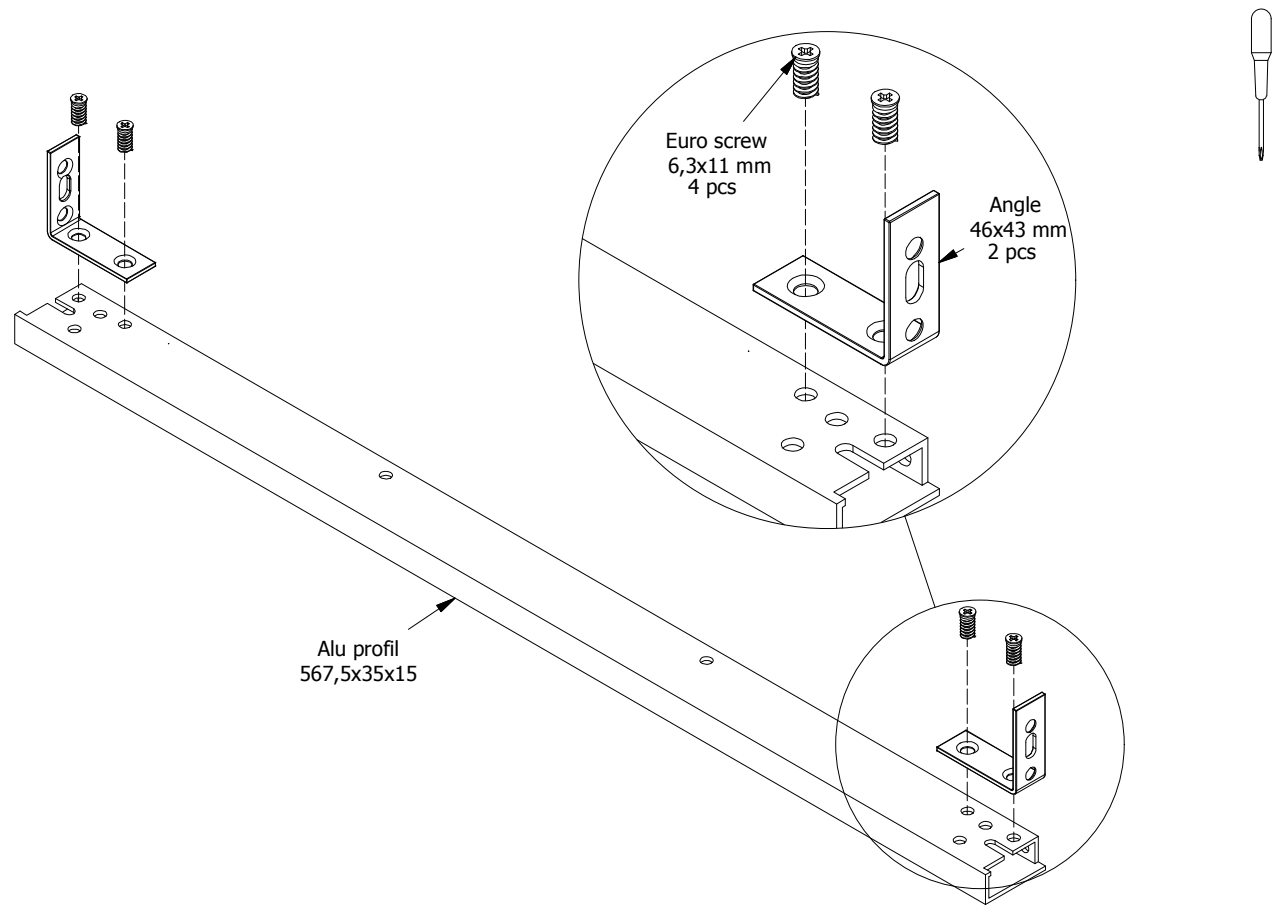


FIG. 9

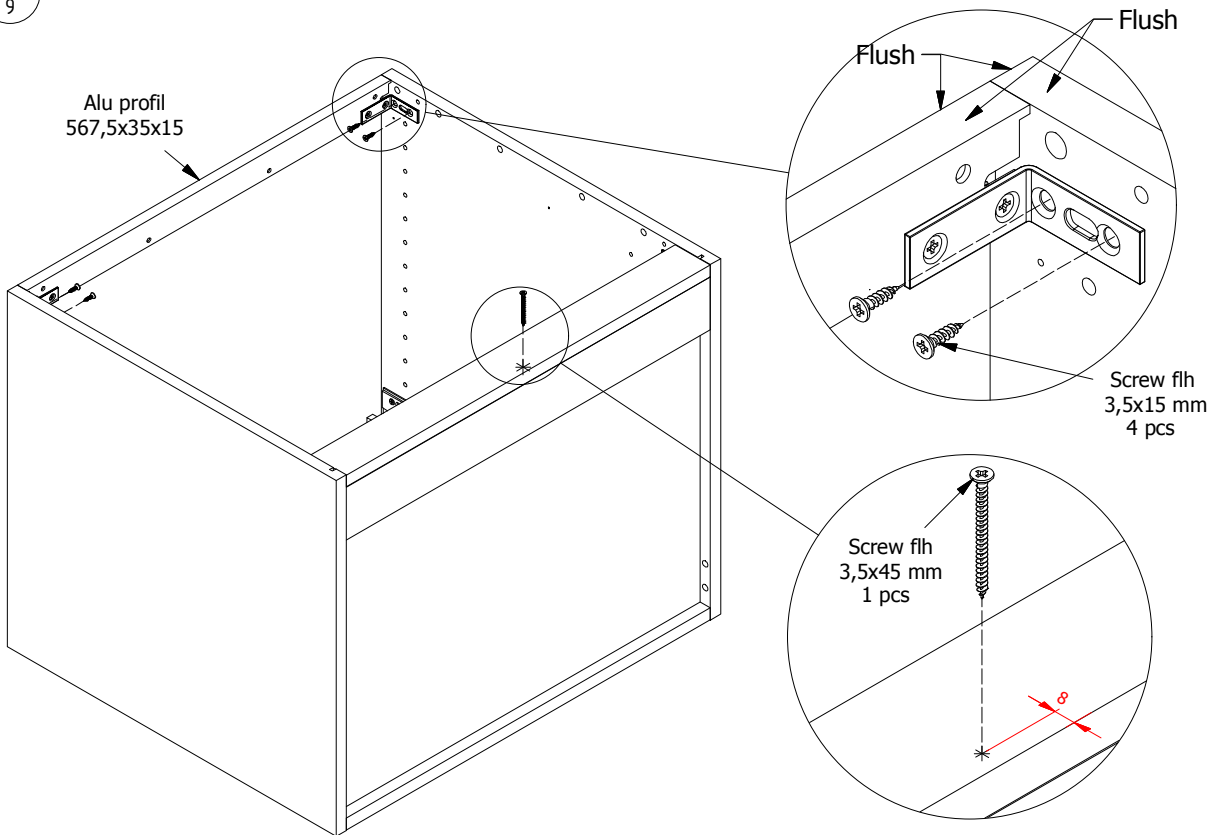


FIG. 10

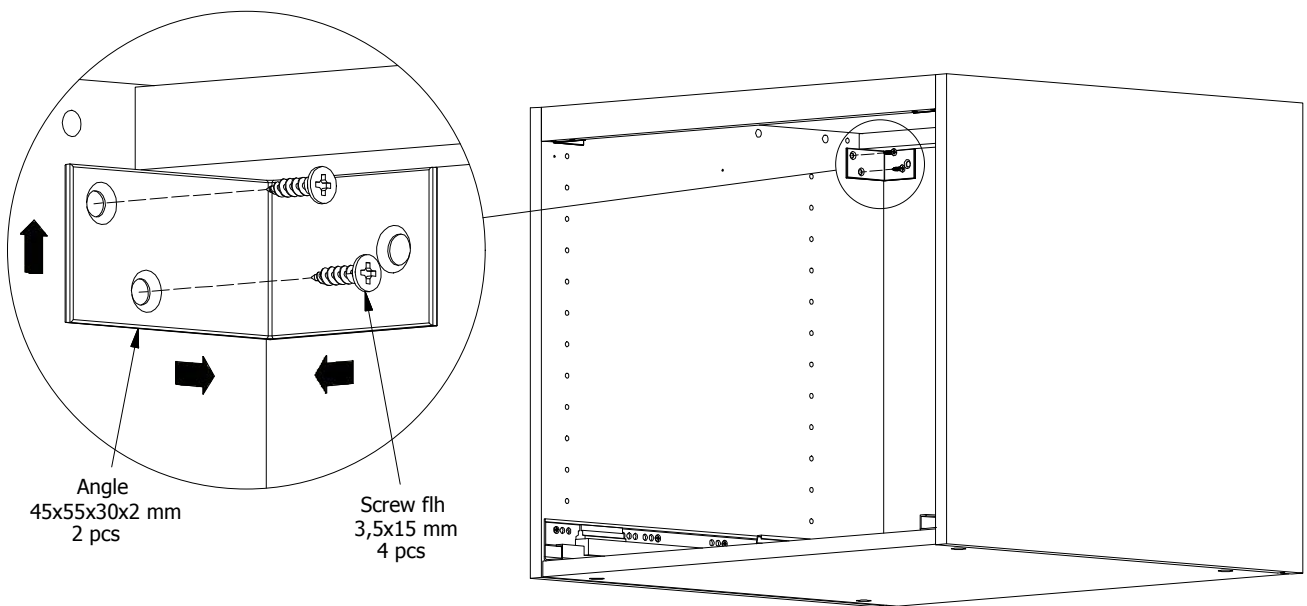


FIG. 11

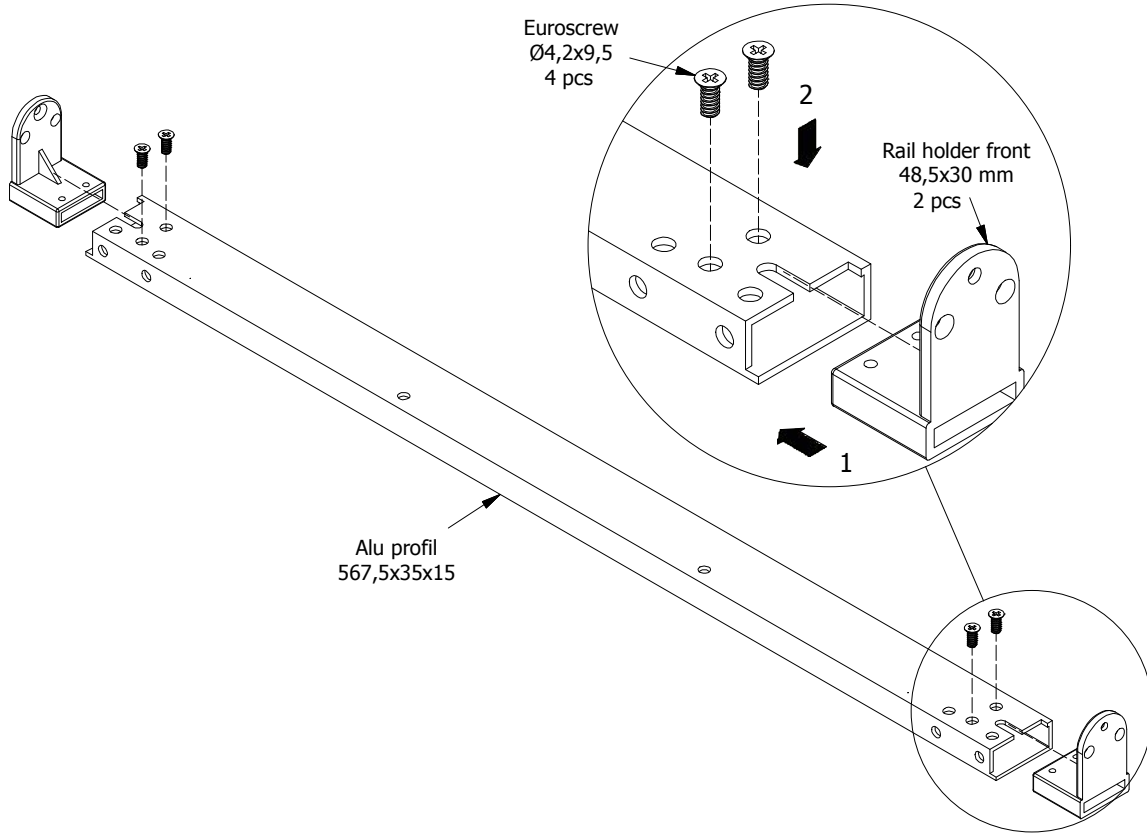


FIG. 12

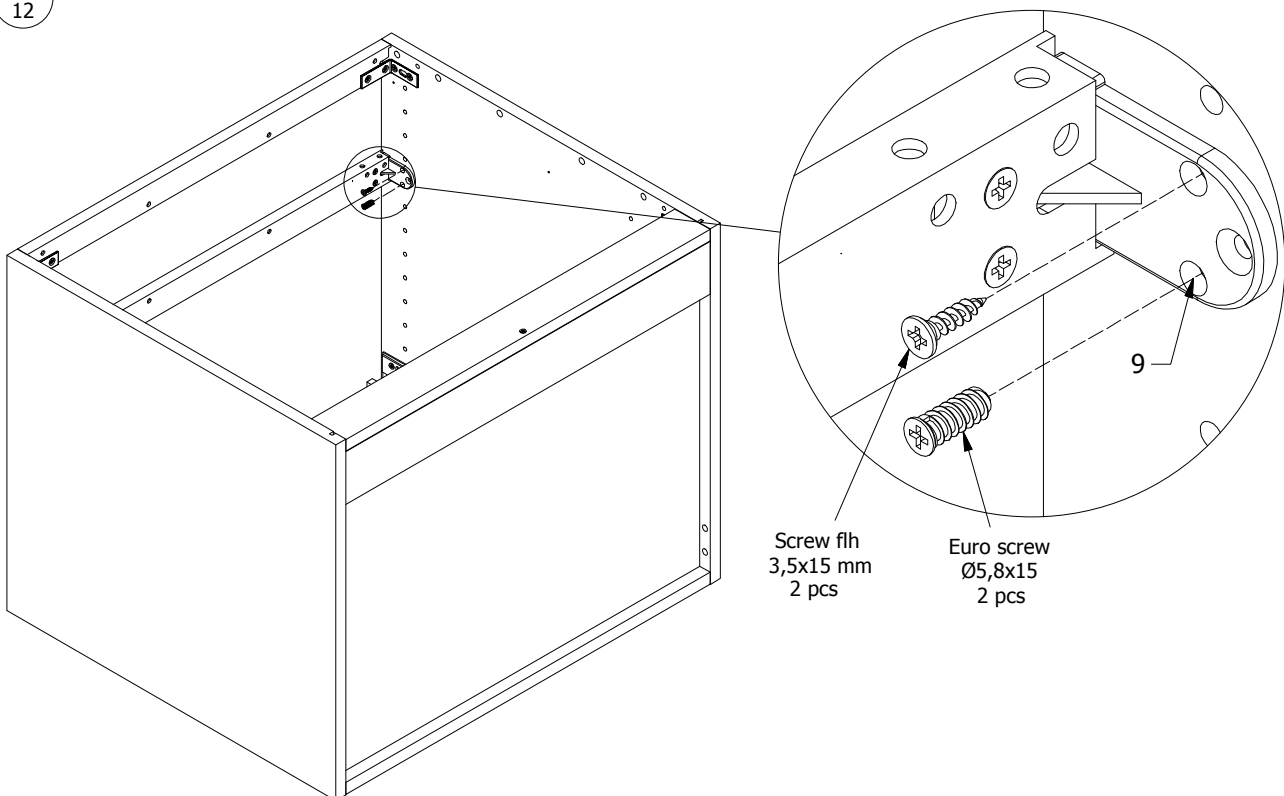


FIG. 13

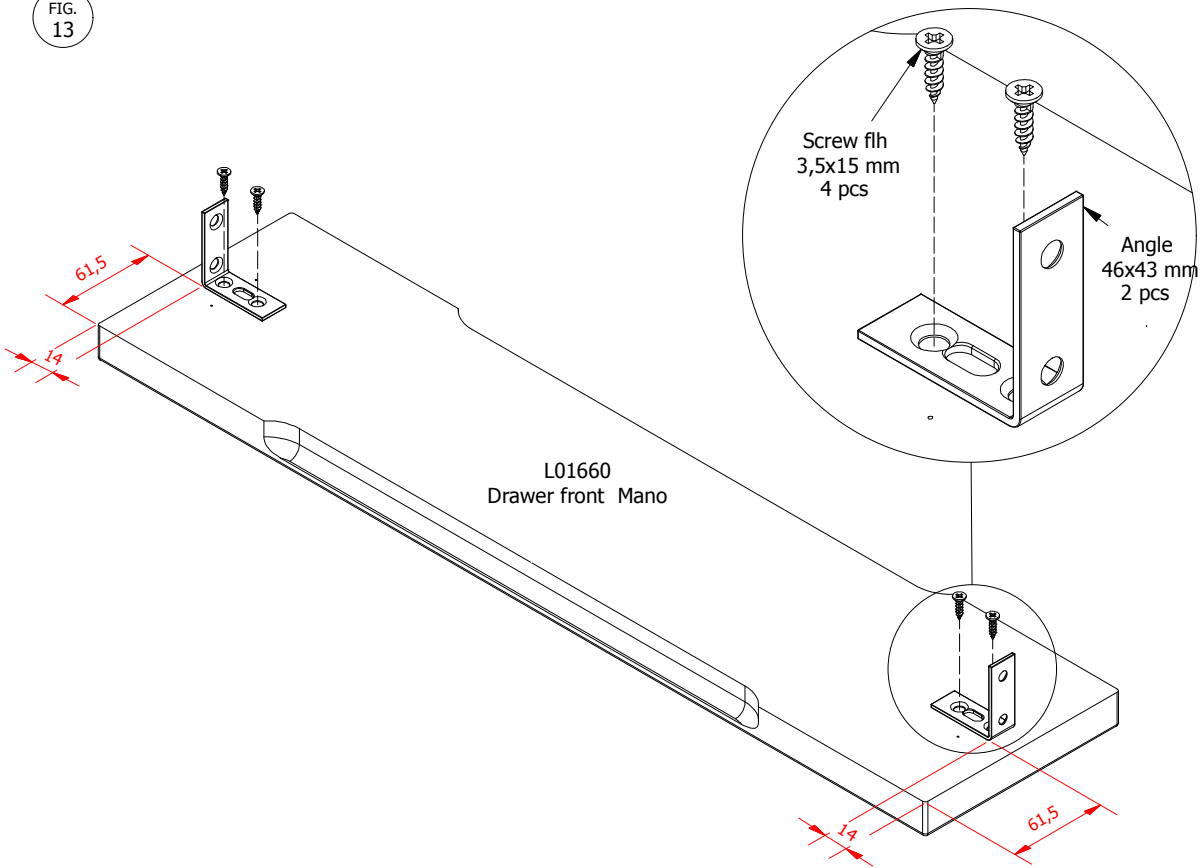


Fig 14

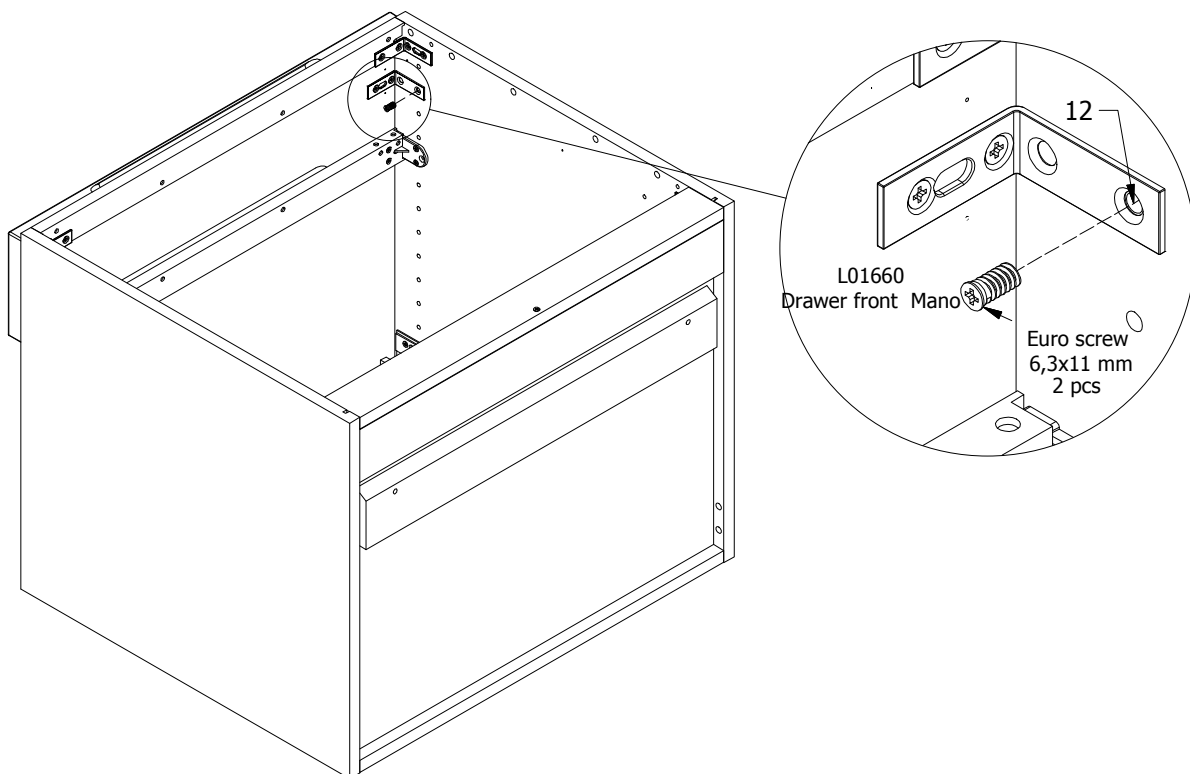


Fig
15

