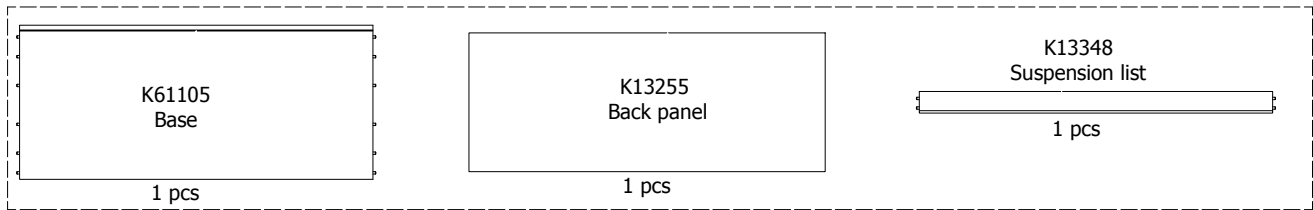


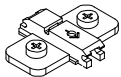
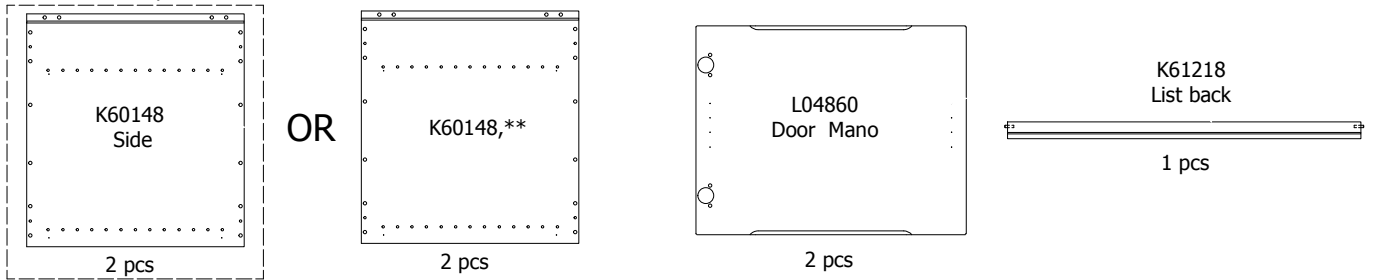
**kvik** 

**MDBU4805,120**

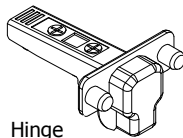
**BU5112,000**



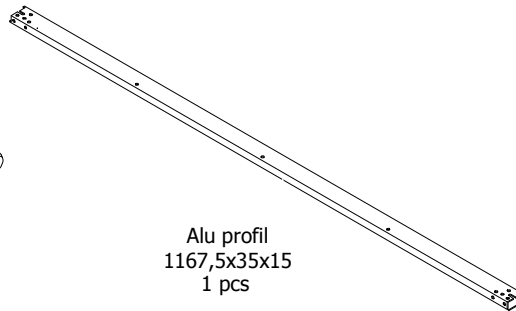
**US4851,000**



Mounting plate  
4 pcs

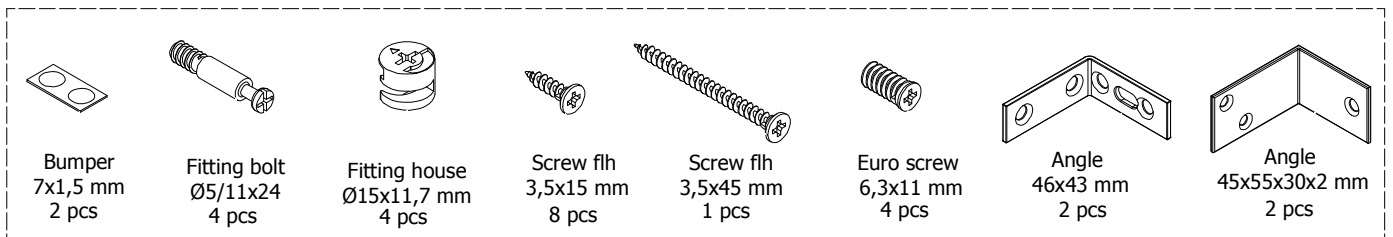


Hinge  
107 degrees  
4 pcs



Alu profil  
1167,5x35x15  
1 pcs

**BP00265-BP00250-BP00340**



Bumper  
7x1,5 mm  
2 pcs

Fitting bolt  
Ø5/11x24  
4 pcs

Fitting house  
Ø15x11,7 mm  
4 pcs

Screw flh  
3,5x15 mm  
8 pcs

Screw flh  
3,5x45 mm  
1 pcs

Euro screw  
6,3x11 mm  
4 pcs

Angle  
46x43 mm  
2 pcs

Angle  
45x55x30x2 mm  
2 pcs

FIG. 1

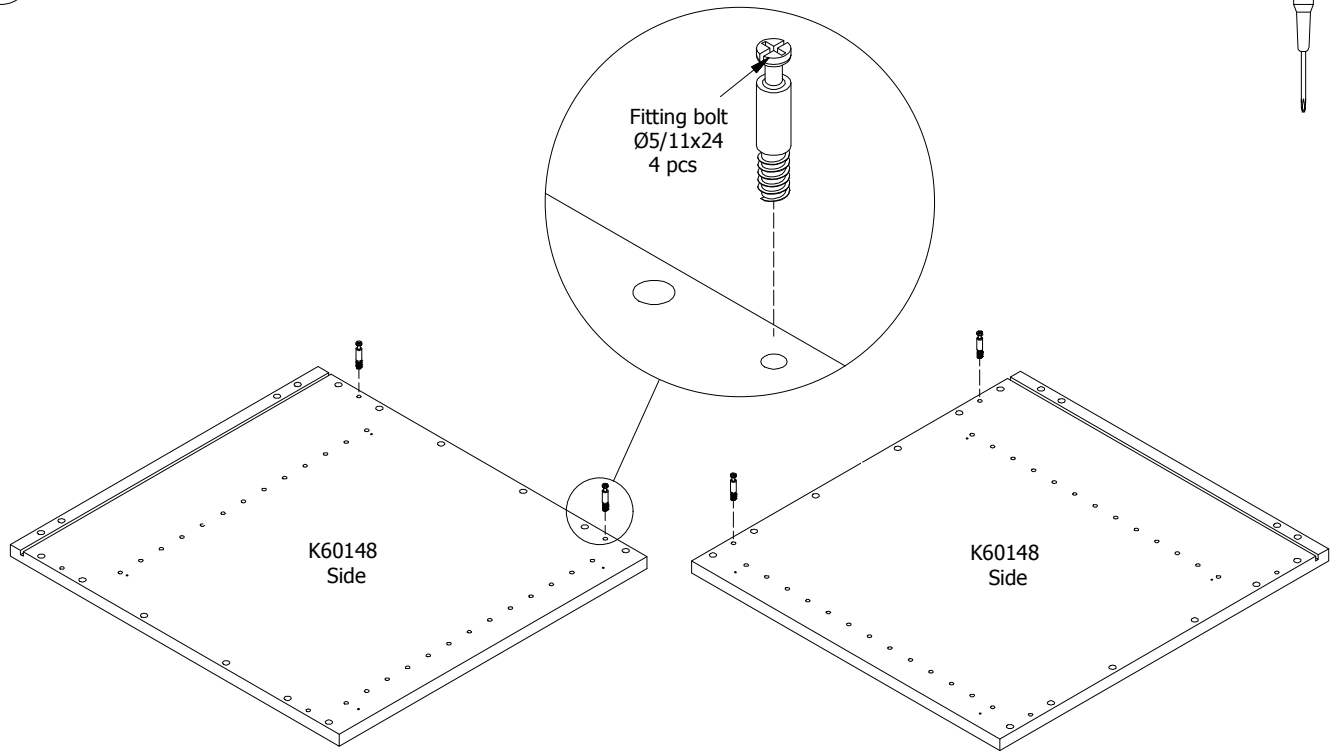
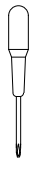


FIG. 2

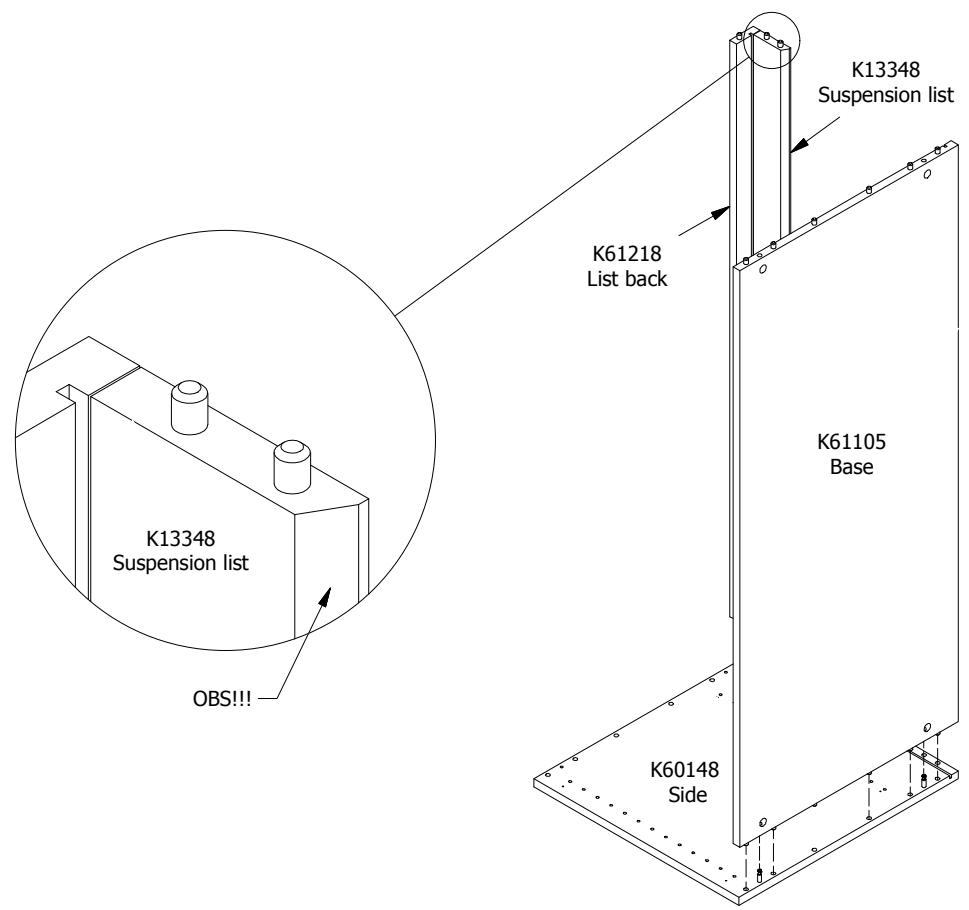


FIG.  
3

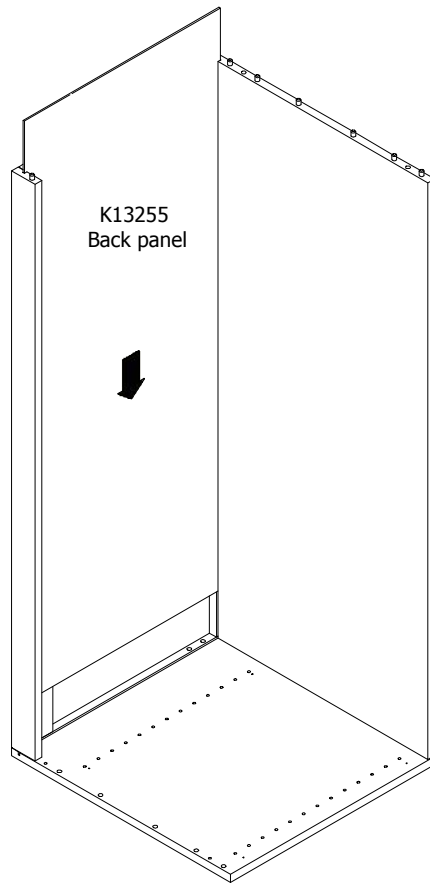


FIG.  
4

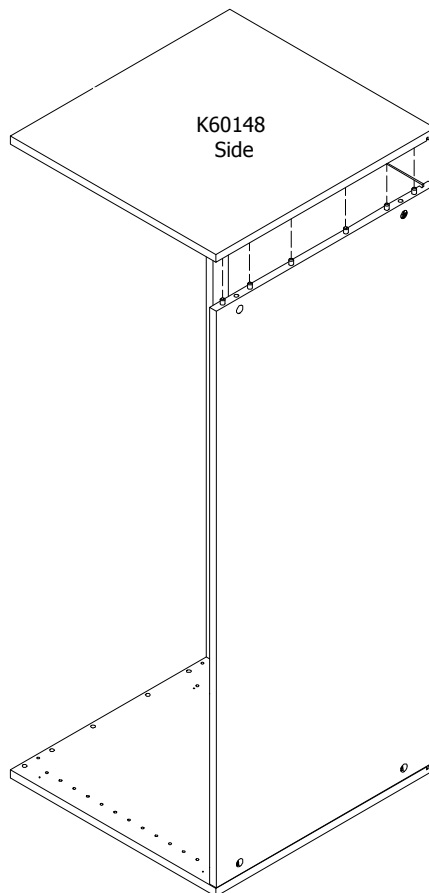


FIG. 5

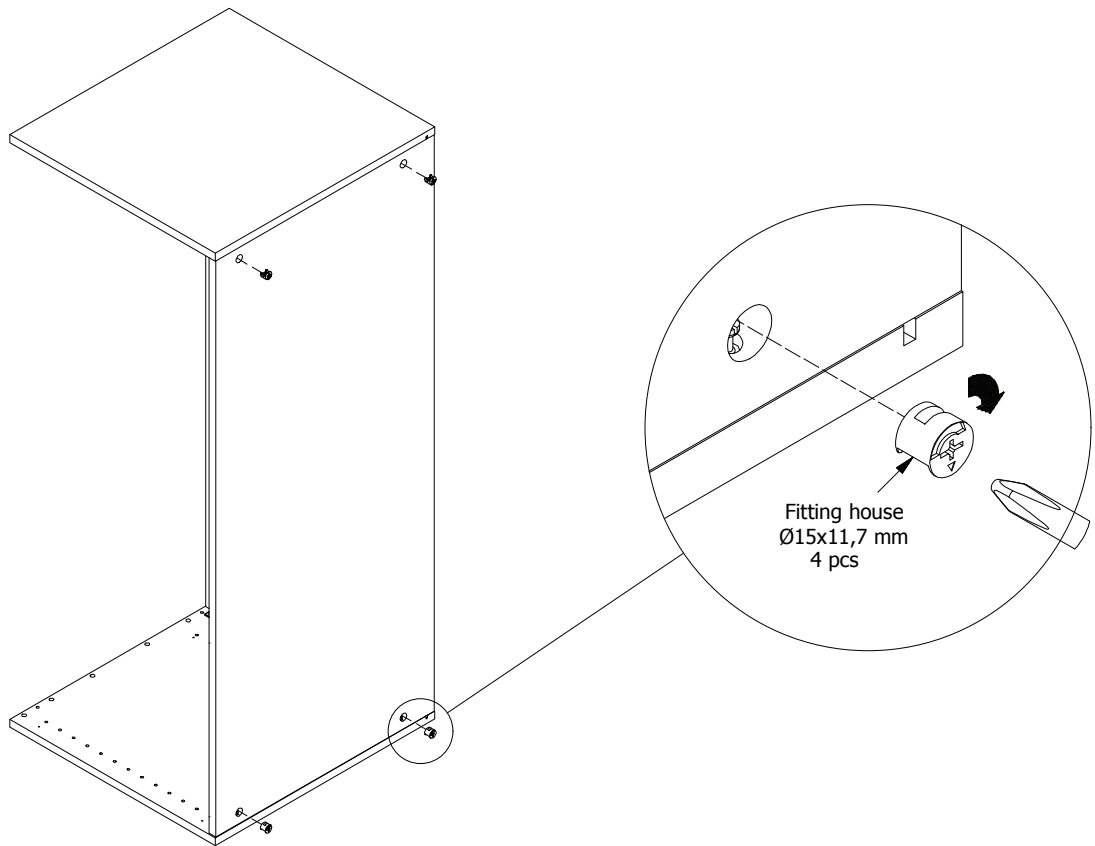


FIG. 6

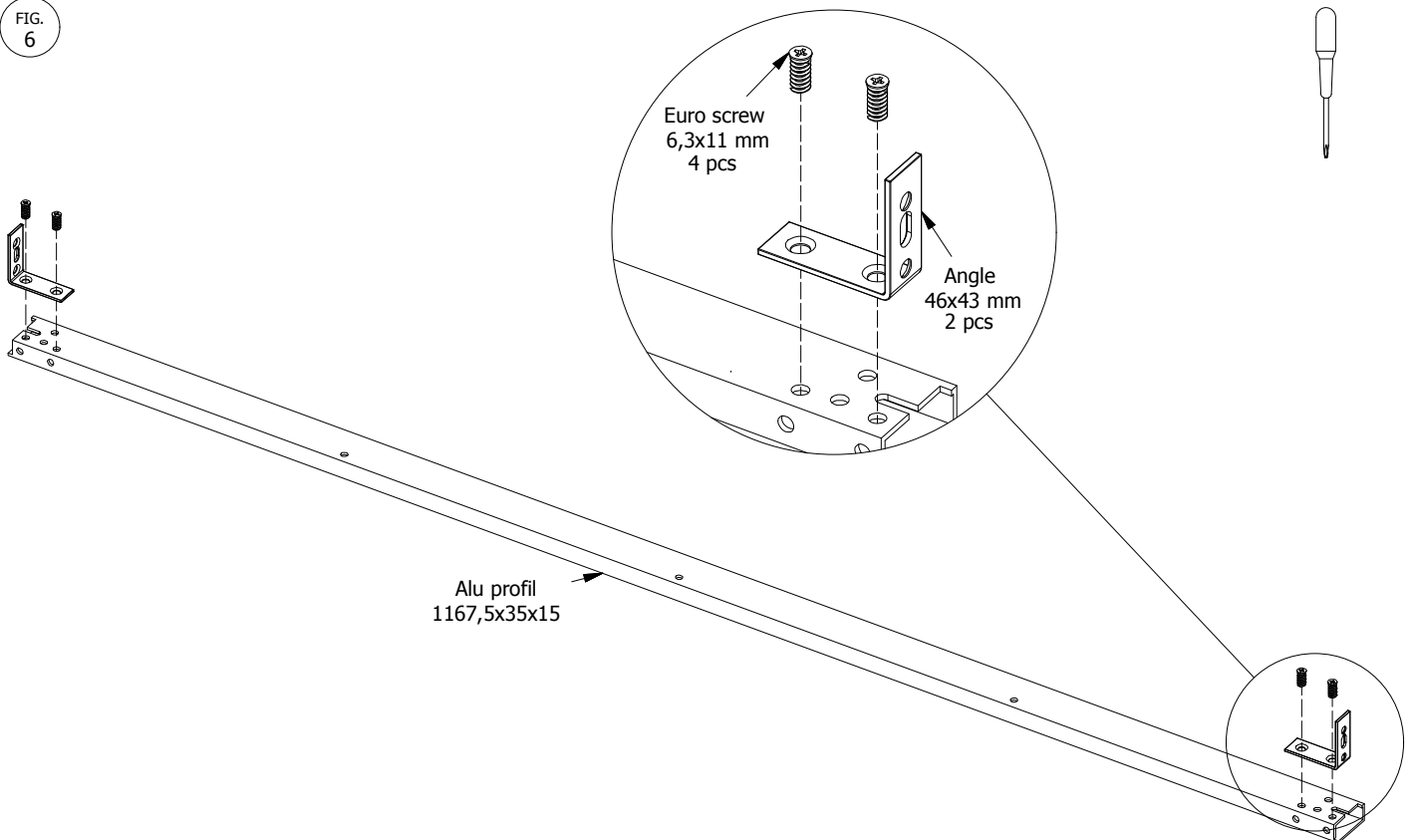


FIG. 7

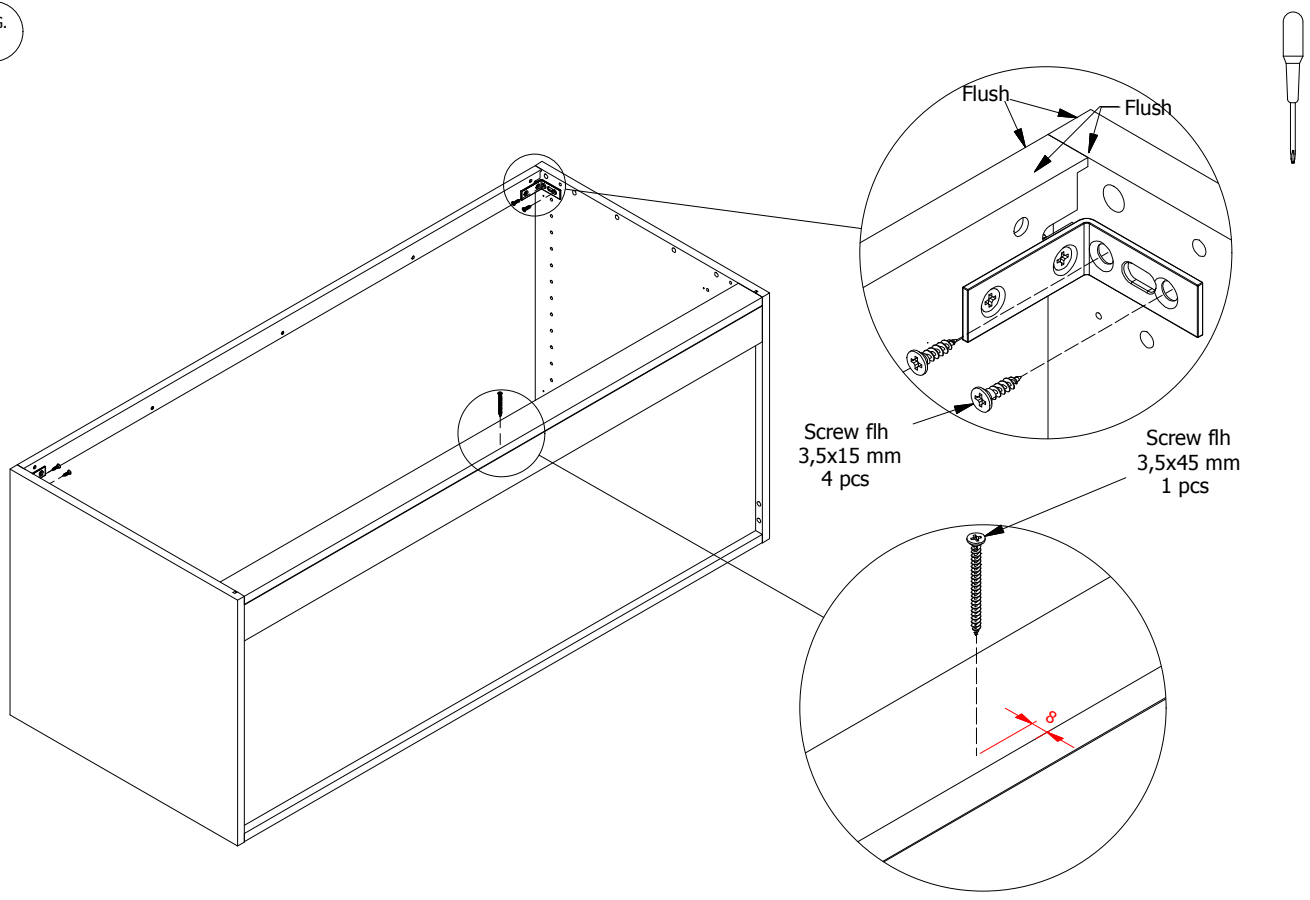


FIG. 8

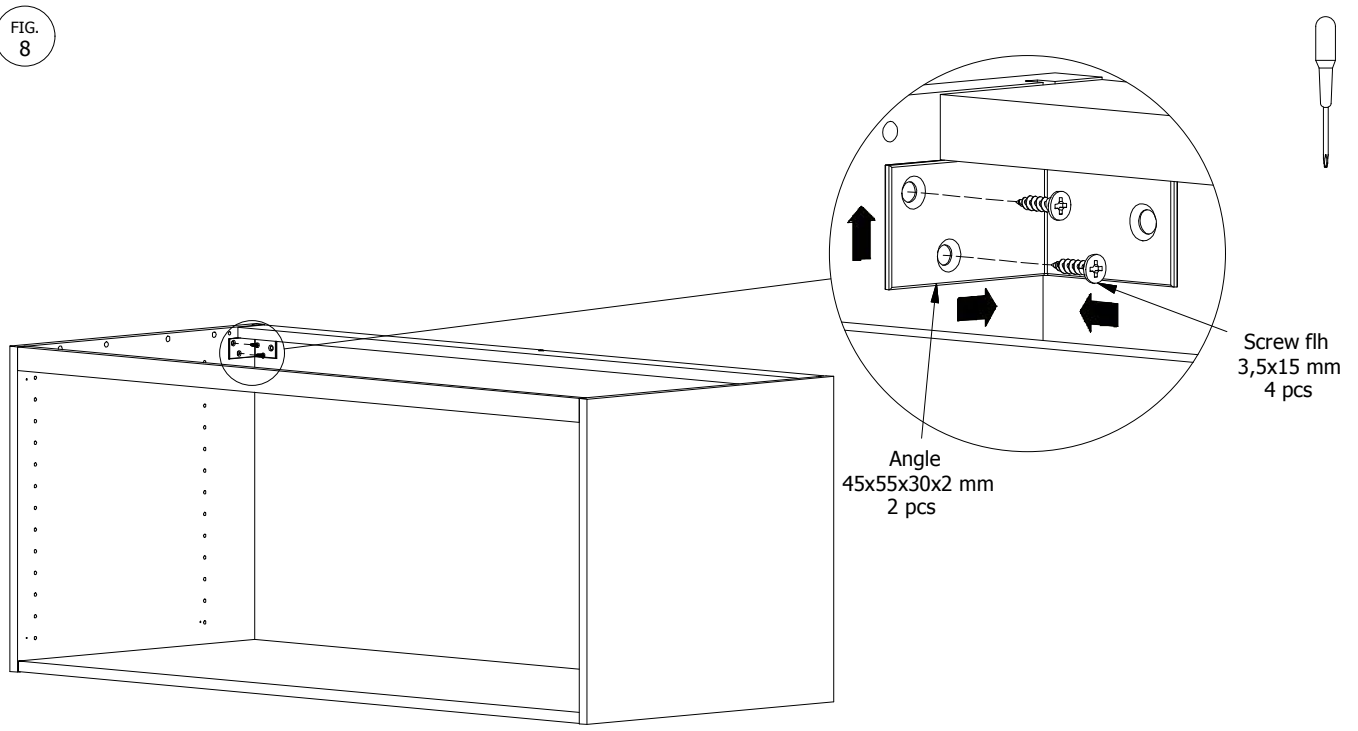


FIG. 9

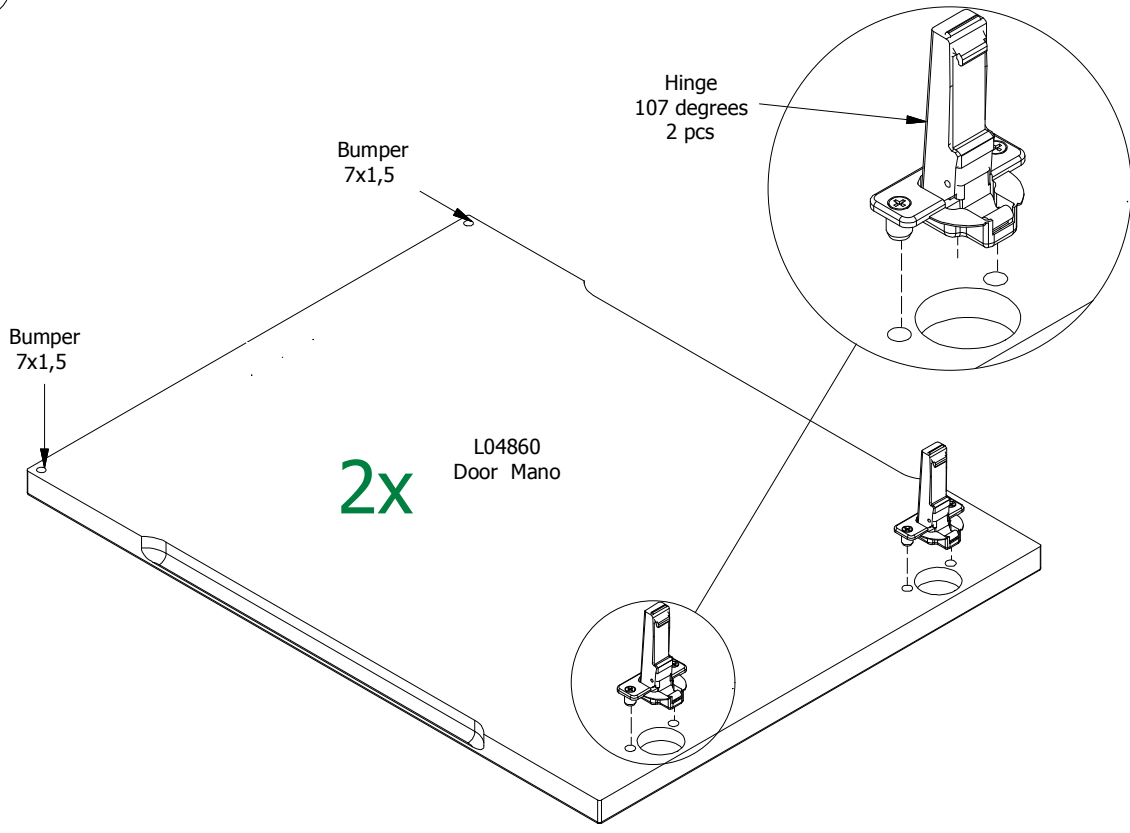


FIG. 10

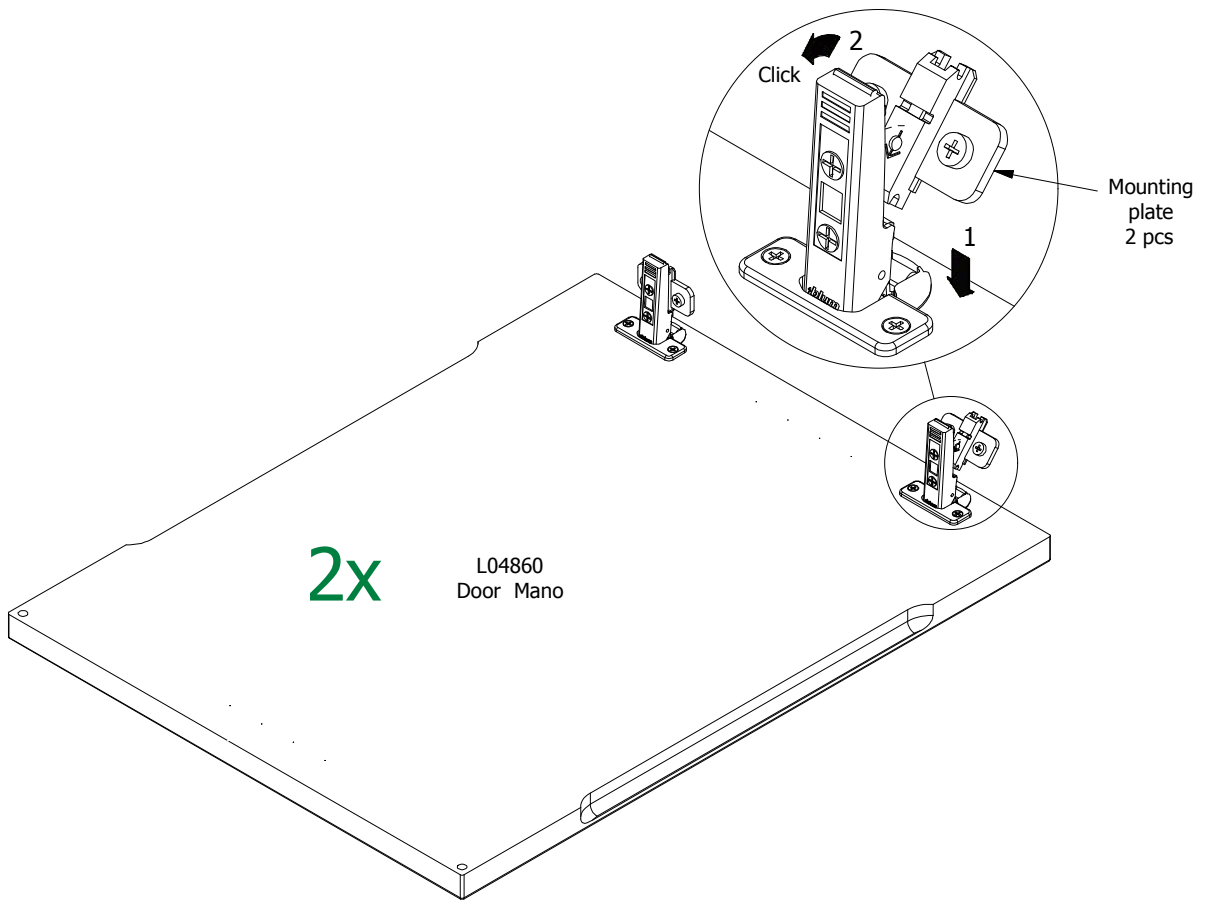


FIG. 11

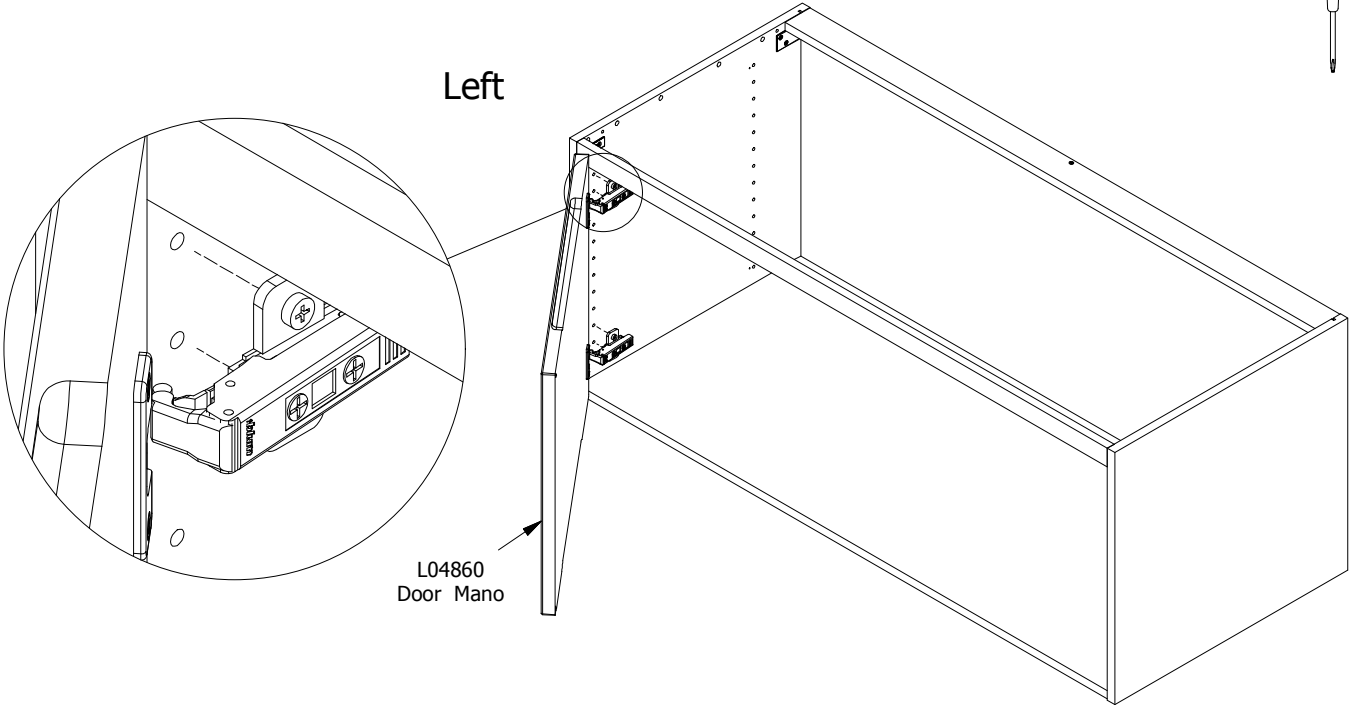
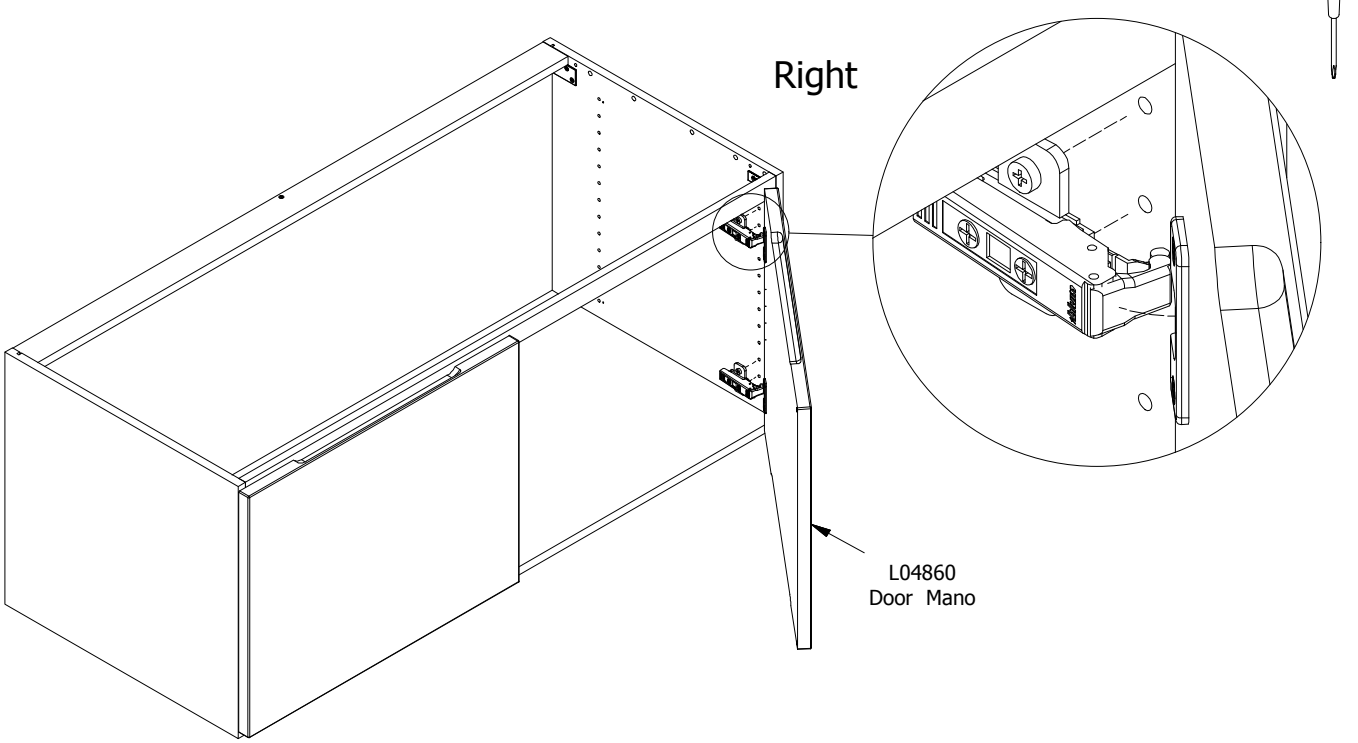


FIG. 12



---

## Adjustment

