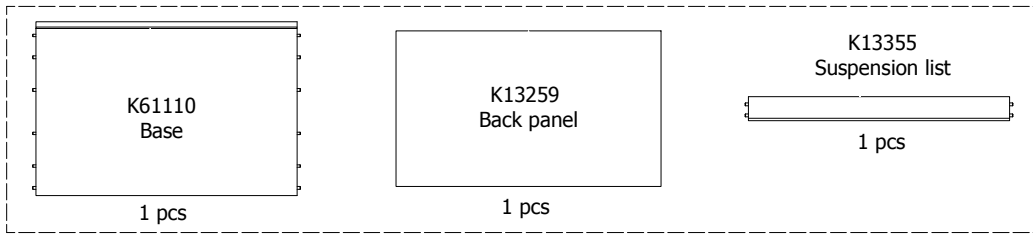


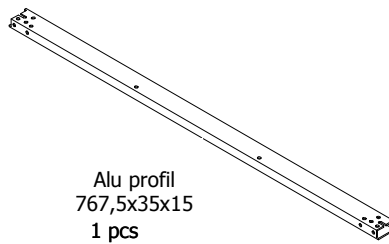
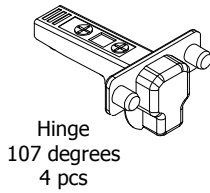
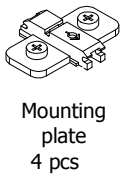
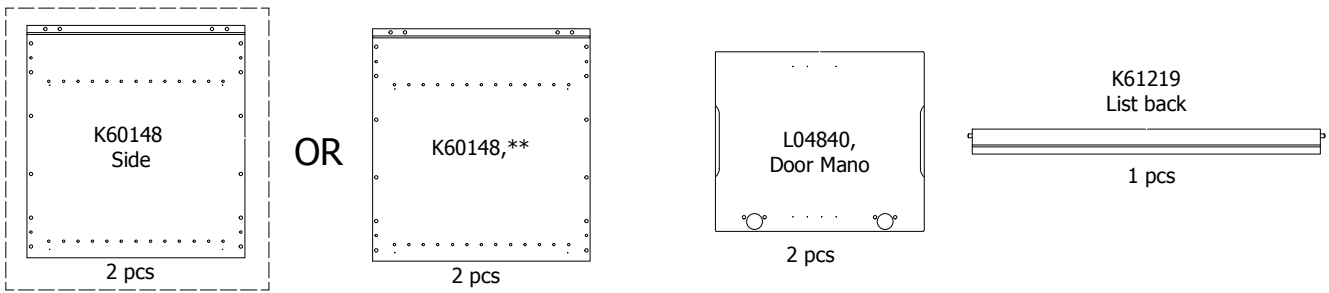
kvik

MDBU4805,080

BU5180,000



US4851,000



BP00265-BP00250-BP00340

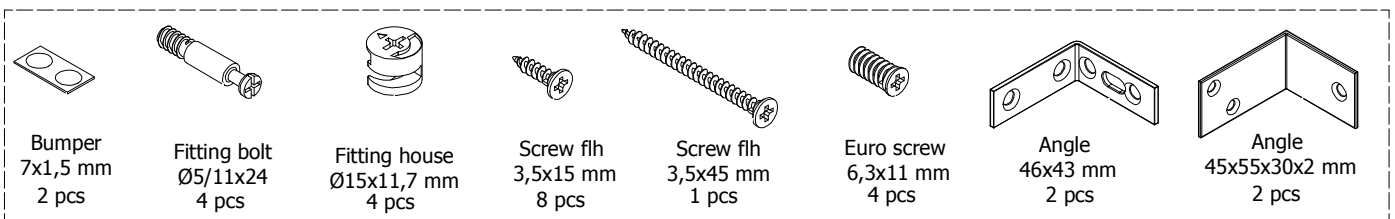


FIG. 1

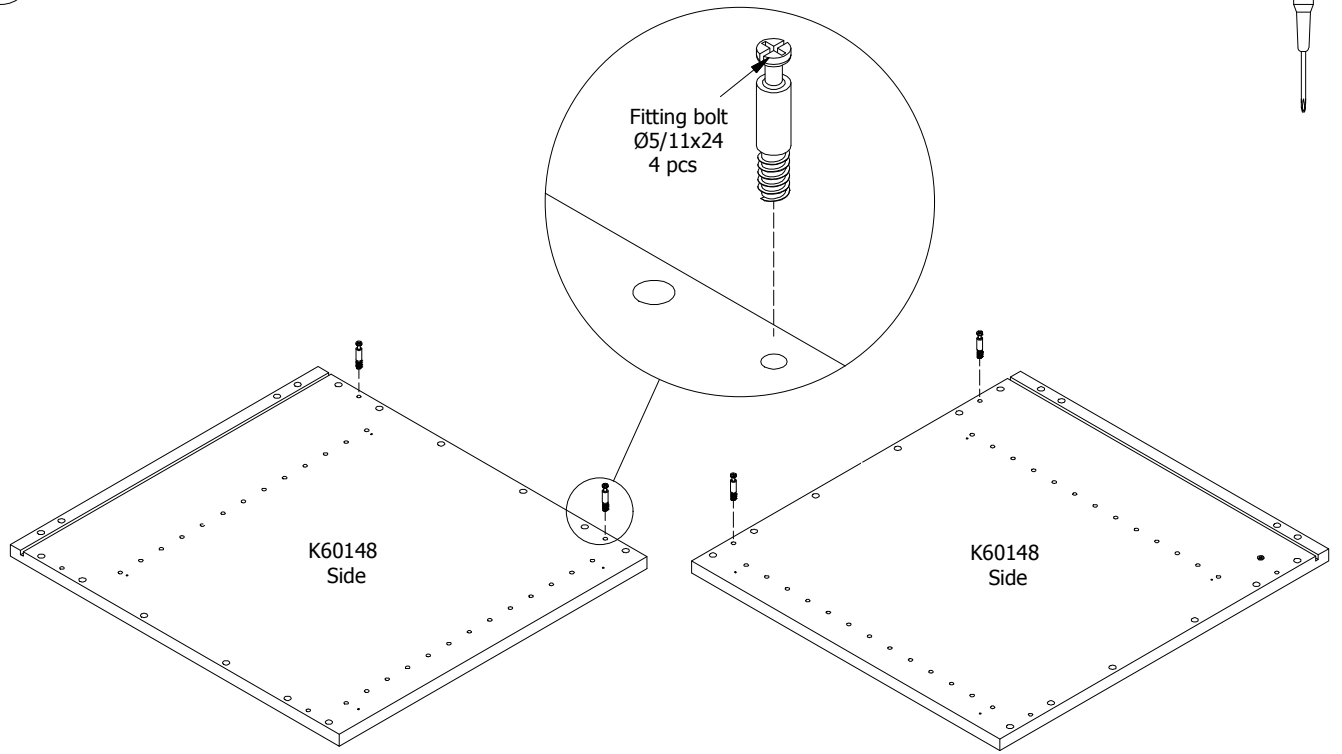


FIG. 2

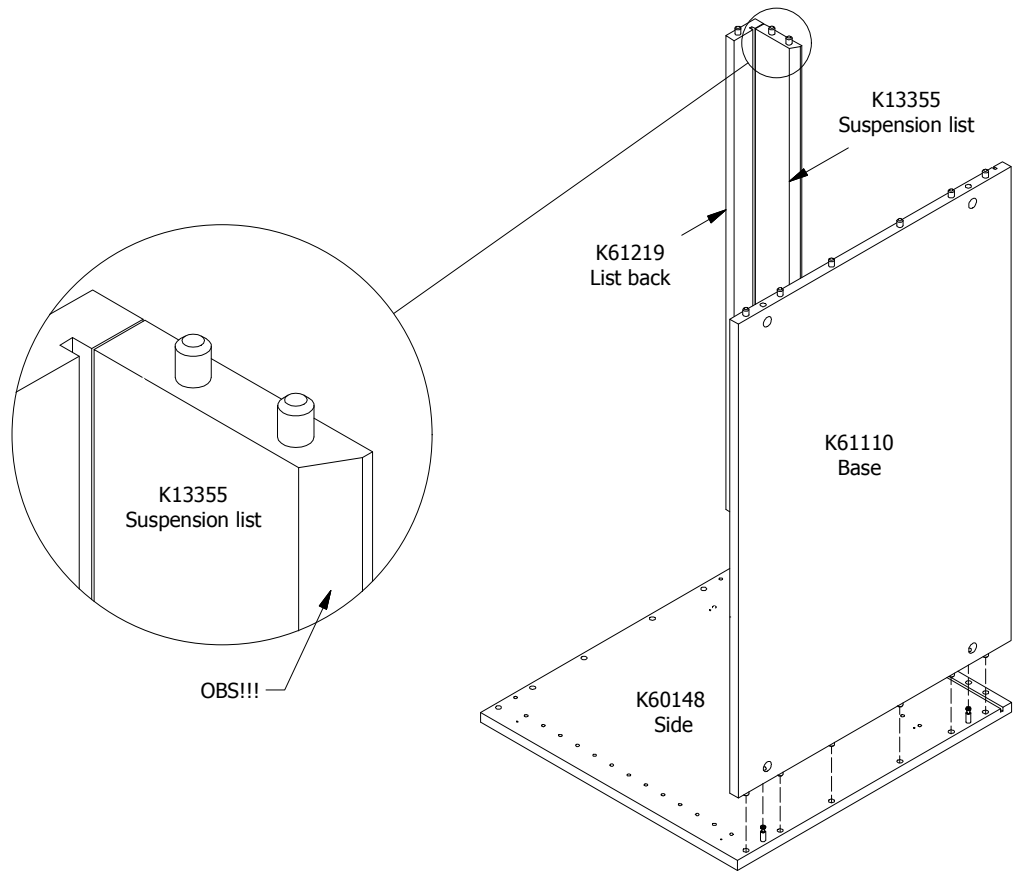


FIG.
3

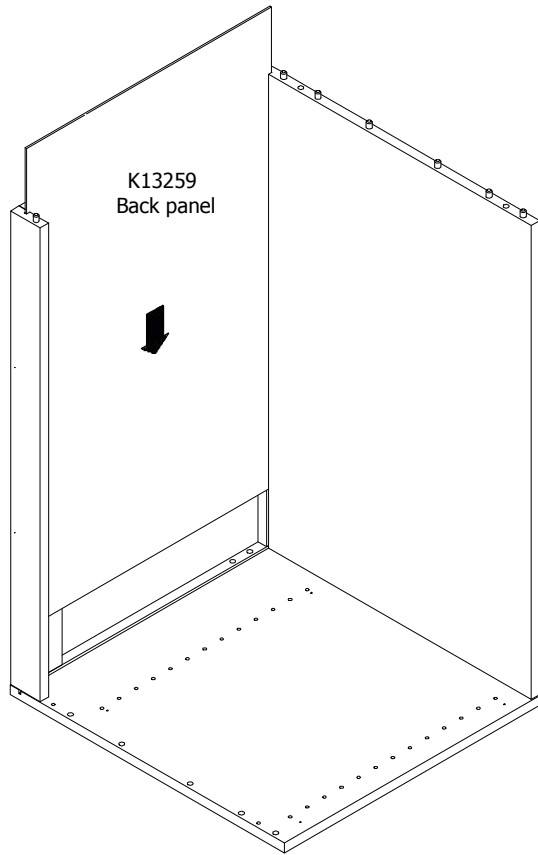


FIG.
4

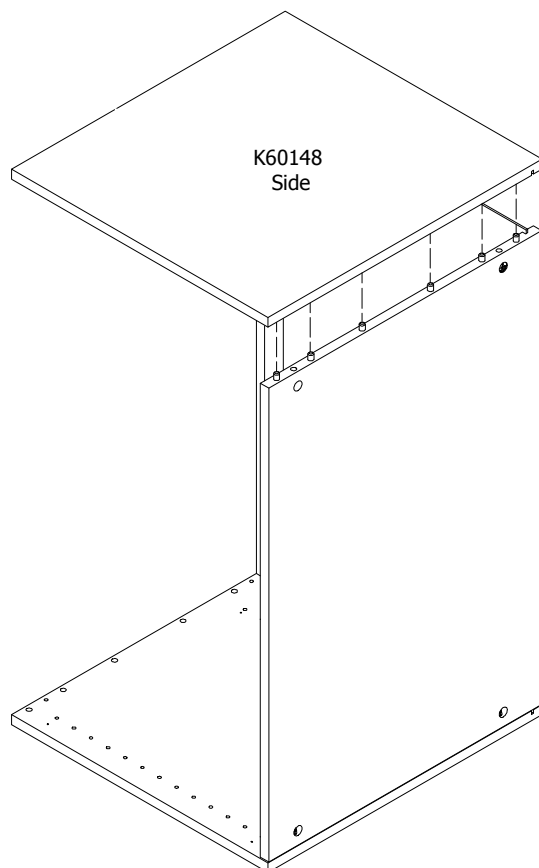


FIG. 5

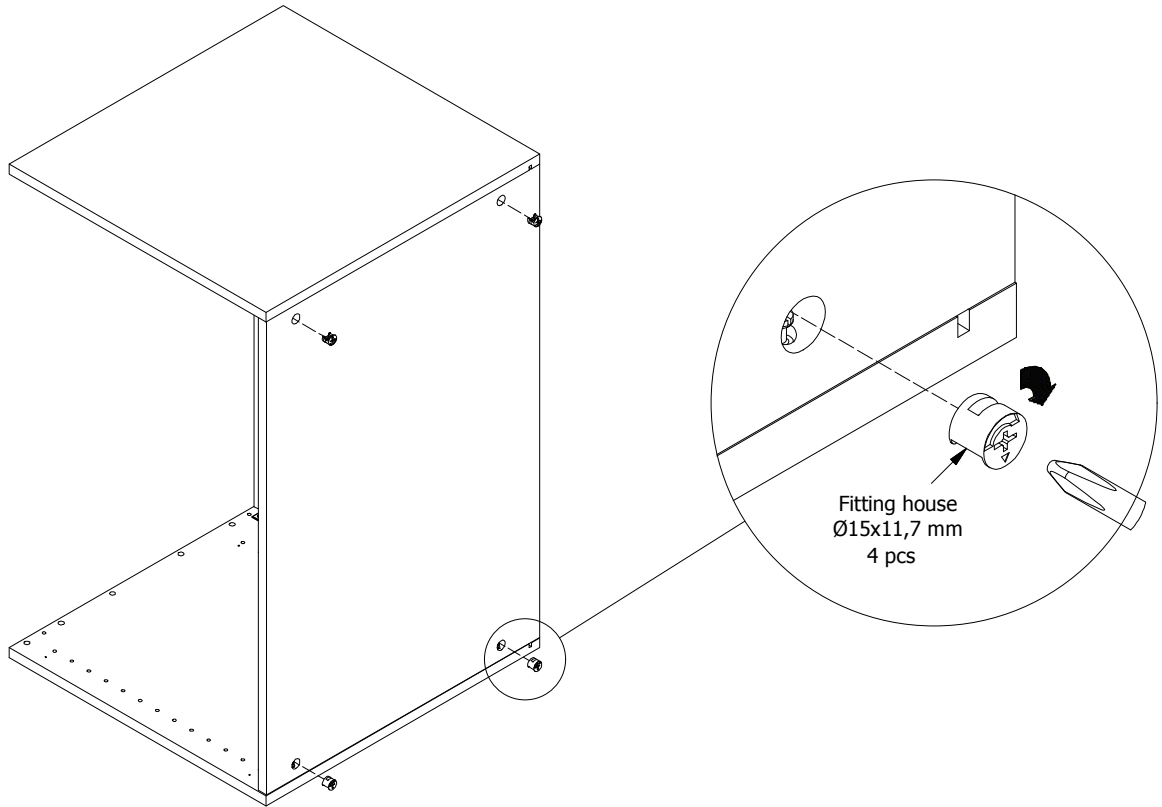


FIG. 6

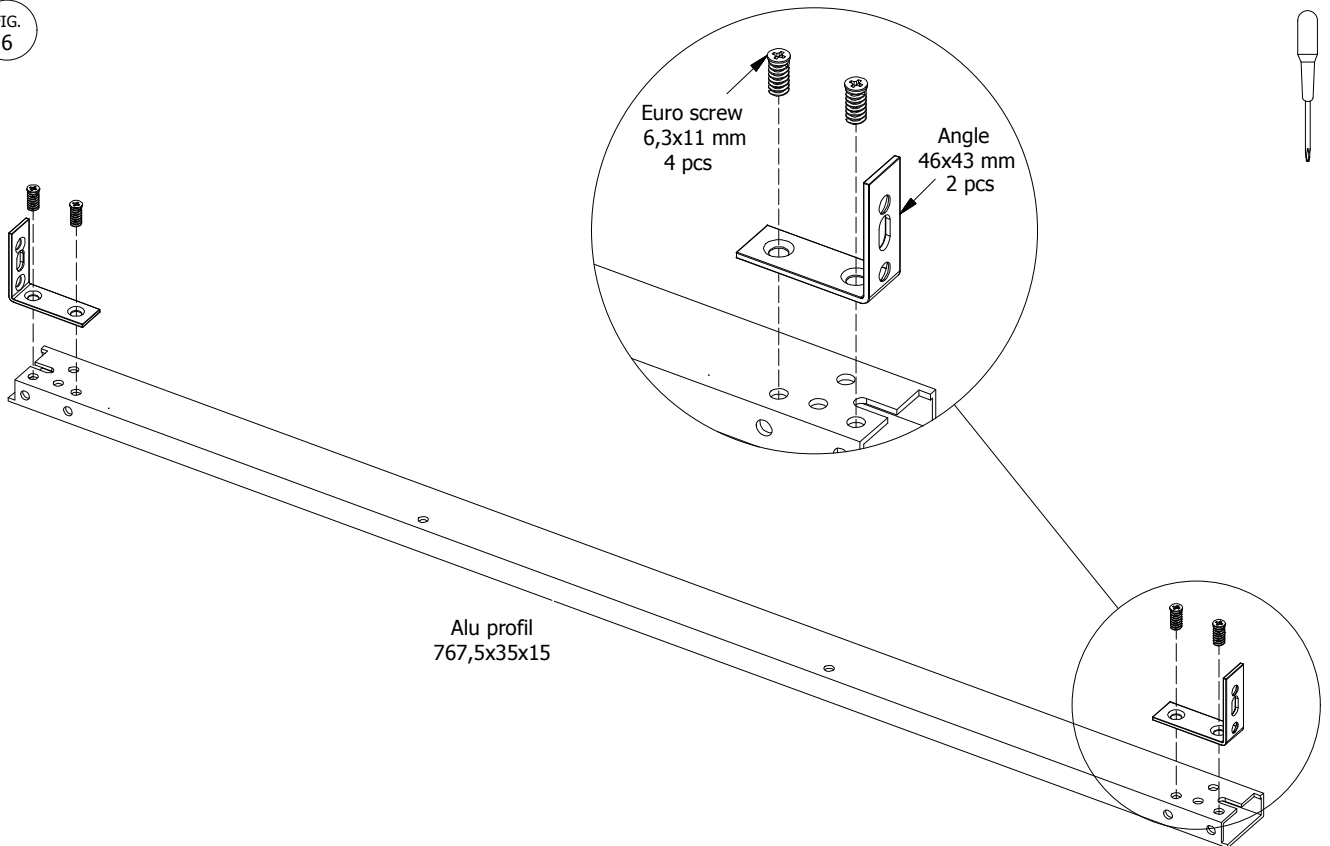


FIG. 7

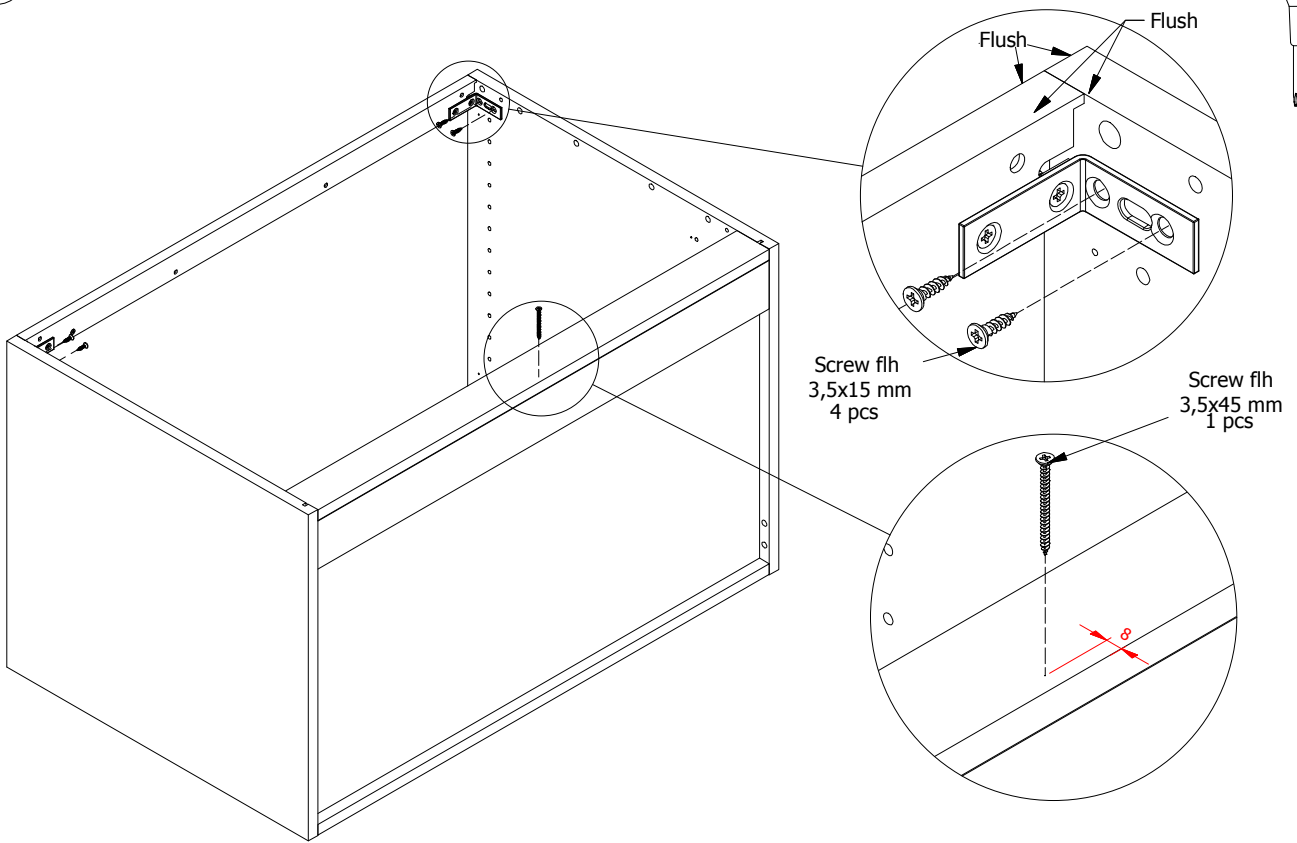


FIG. 8

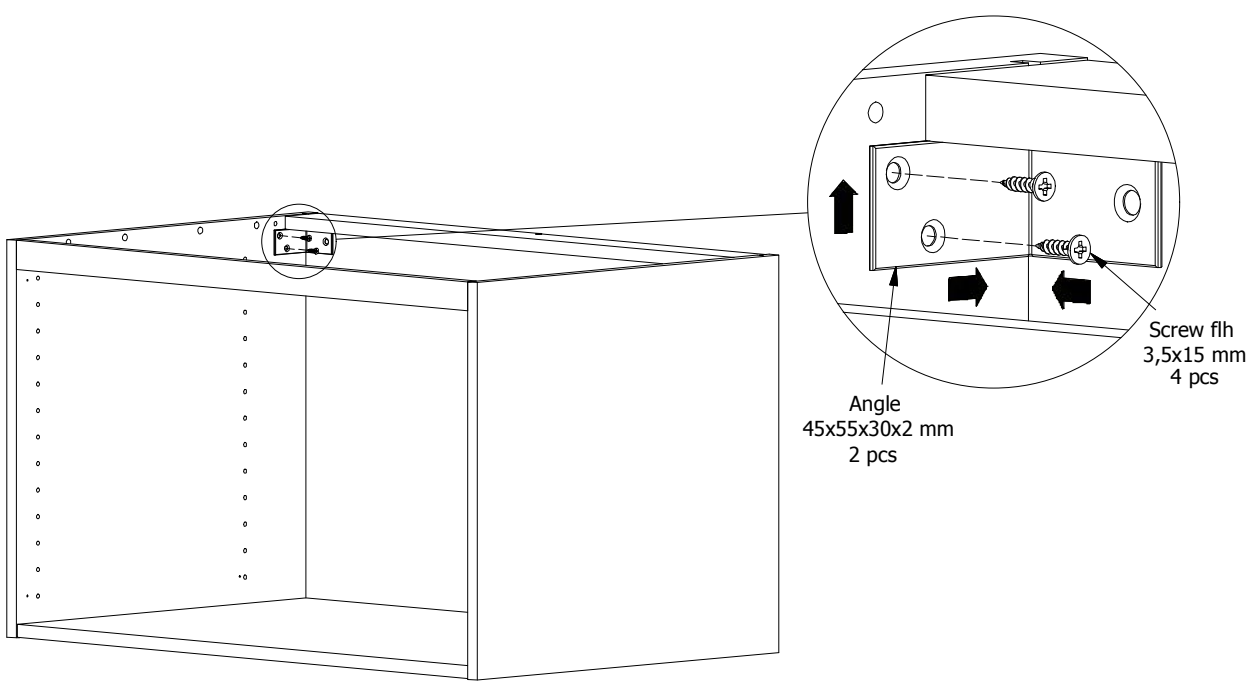


FIG. 9

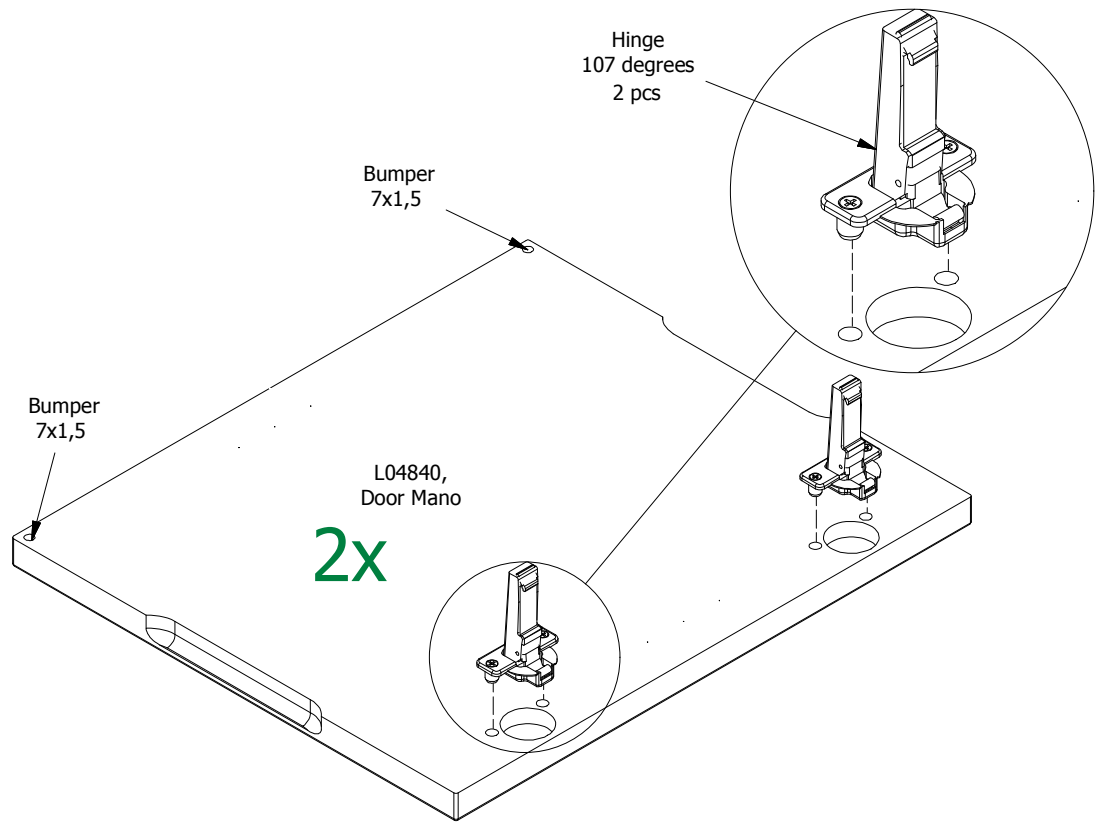


FIG. 10

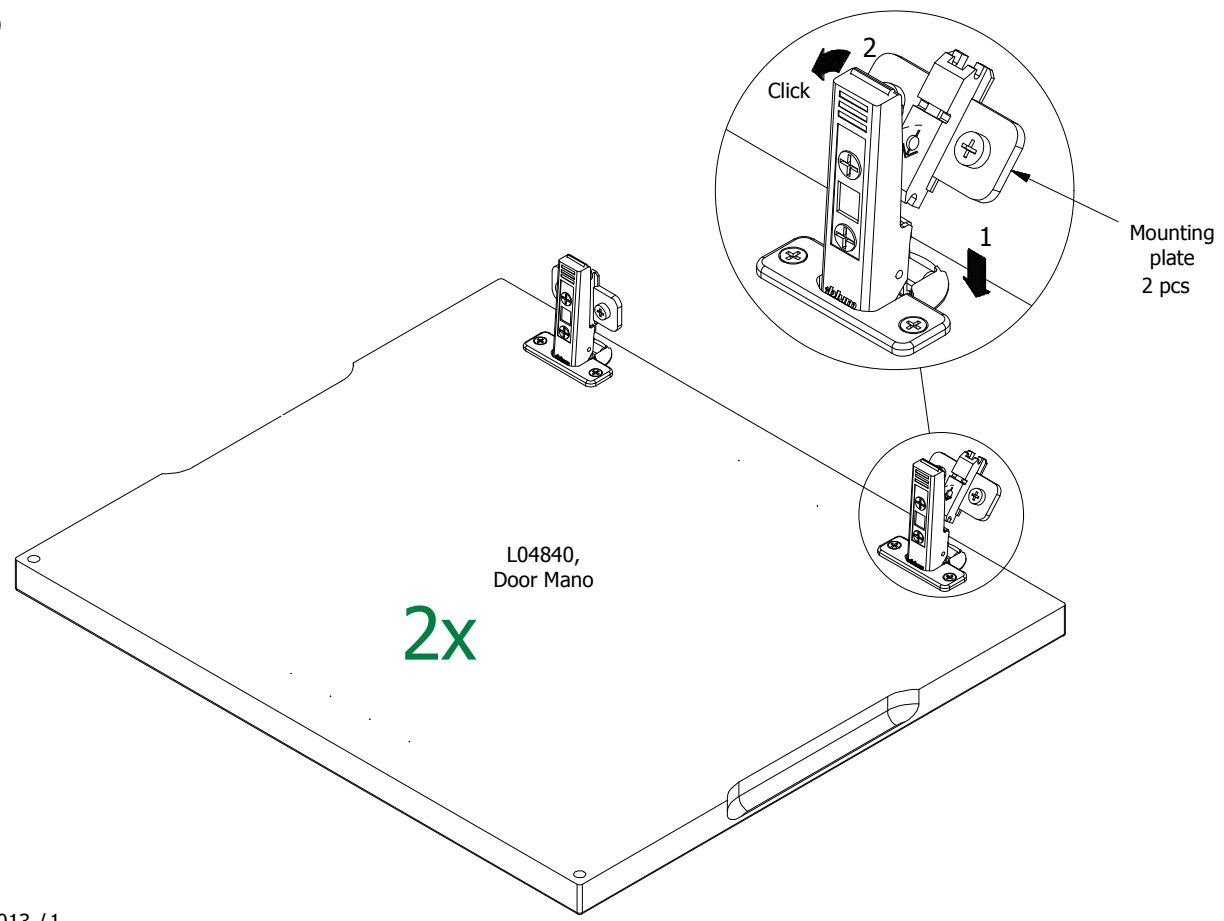
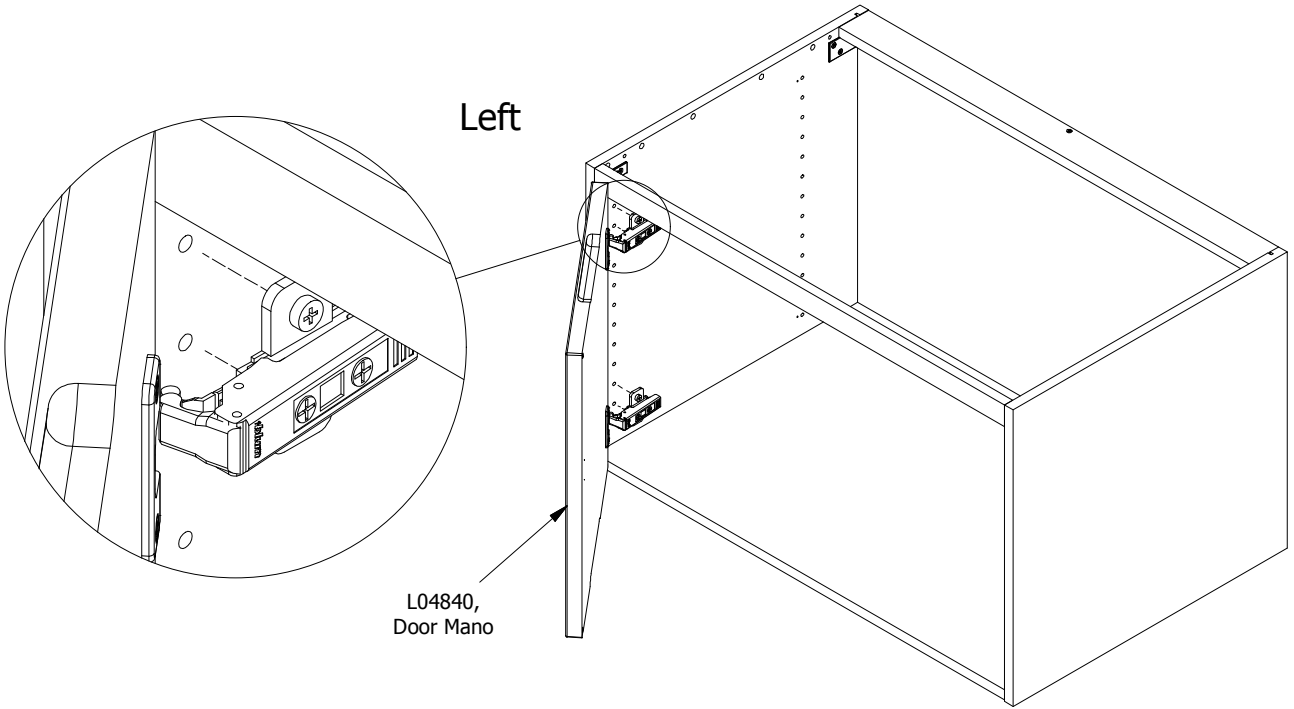


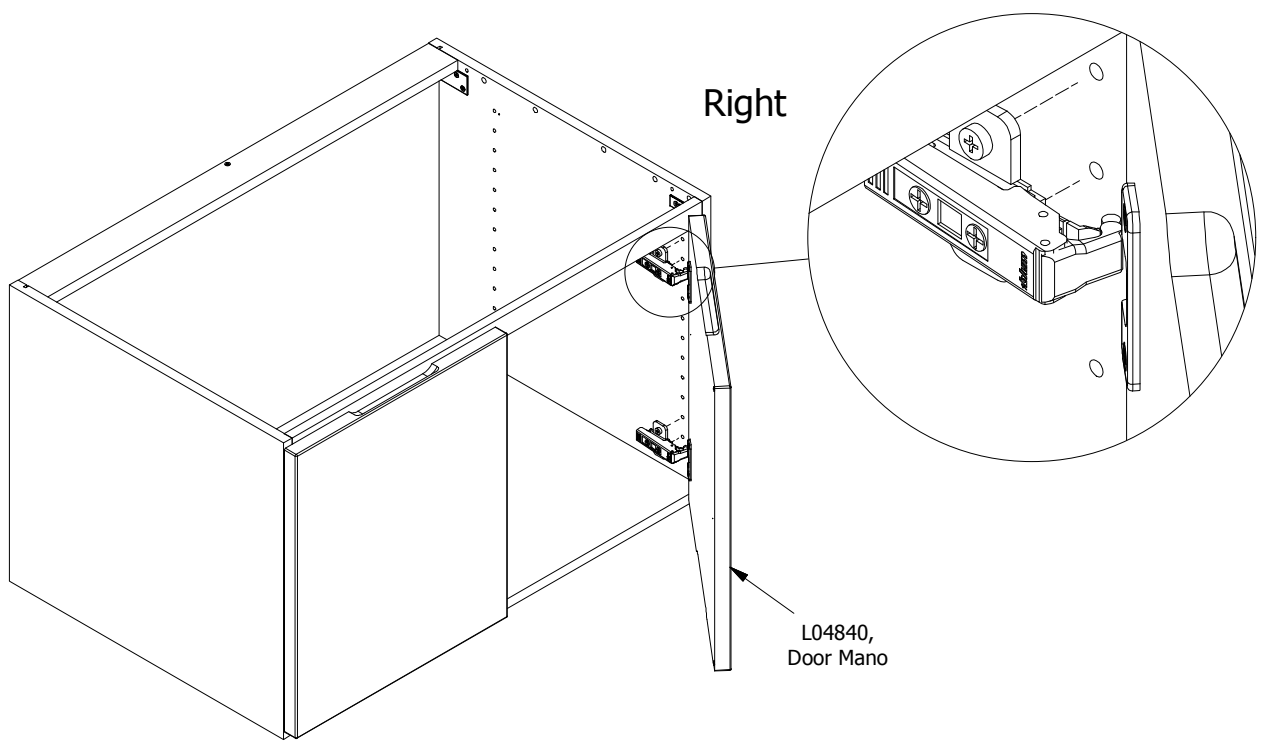
FIG. 11



Left

L04840,
Door Mano

FIG. 12



Right

L04840,
Door Mano

Adjustment

