

kvik 

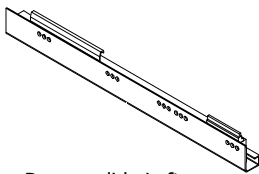
MDBU4802,060

BU5160,**

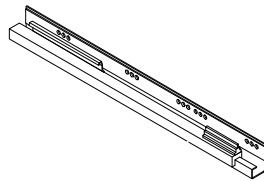
<p>K61115 Base top OR K61115,** Base top 2 pcs</p>	<p>K13258 Back panel 1 pcs</p>	<p>K13360 Suspension list 1 pcs</p>
---	--	---

US4851,000/KVIK

<p>K60148 Side OR K60148,** Side 2 pcs</p>



Drawer slide Left
450
2 pcs



Drawer slide right
450
2 pcs



Alu profil
567,5x35x15
1 pcs

BP00260-BP00250-BP01904



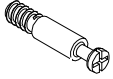
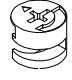
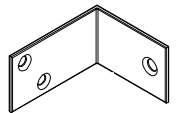
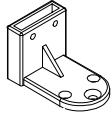


				
<p>Screw flh 3,5x15 mm 20 pcs</p>	<p>Euro screw 6,3x11 mm 4 pcs</p>	<p>Fitting bolt Ø5/11x24 8 pcs</p>	<p>Fitting house Ø15x11,7 mm 8 pcs</p>	<p>Angle 45x55x30x2 mm 2 pcs</p>
				
<p>Rail holder front 48,5x30 mm 2 pcs</p>	<p>Euro screw Ø4,2x9,5 4 pcs</p>	<p>Euro screw Ø5,8x15 2 pcs</p>		

FIG. 1

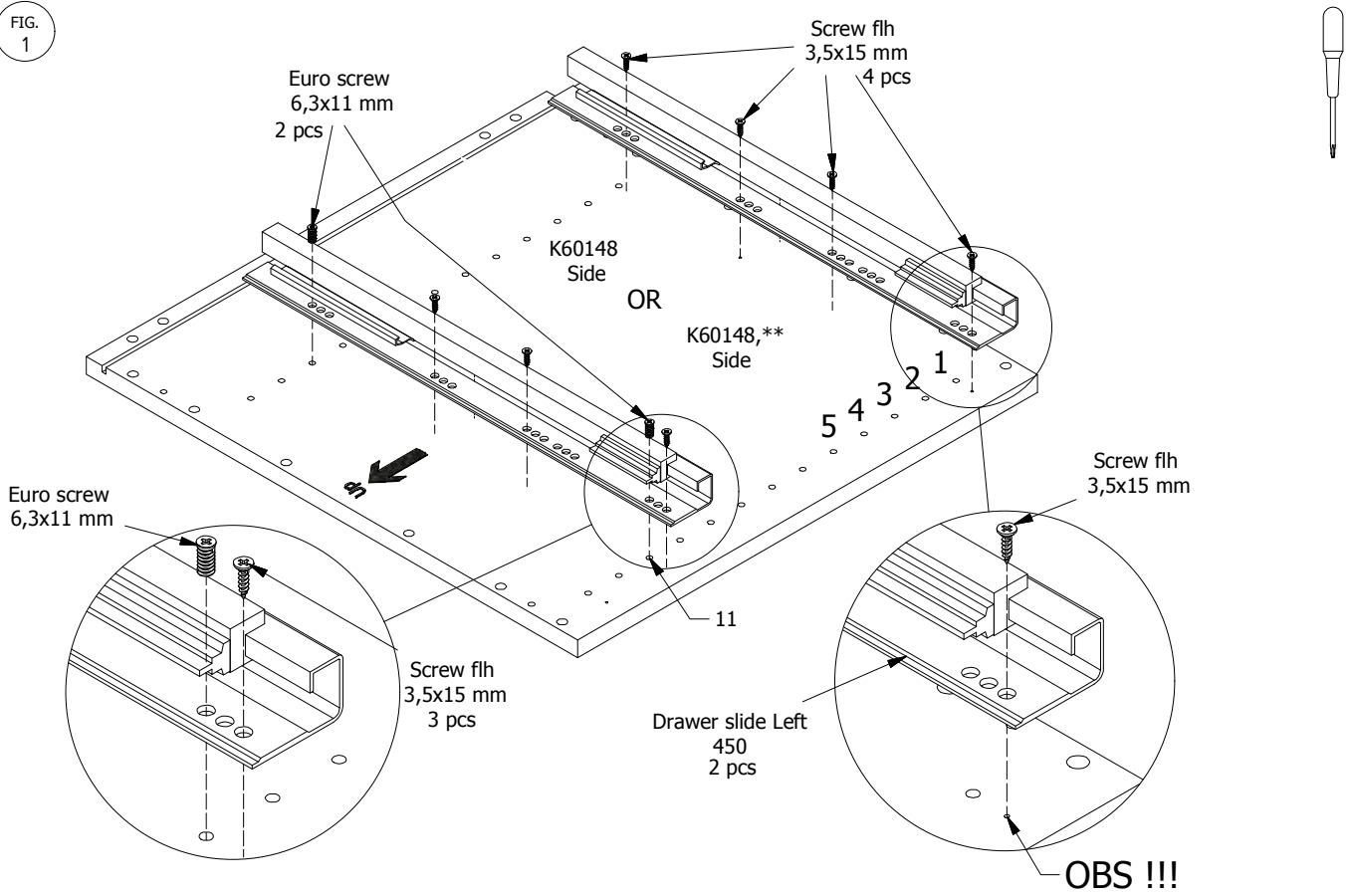


FIG. 2

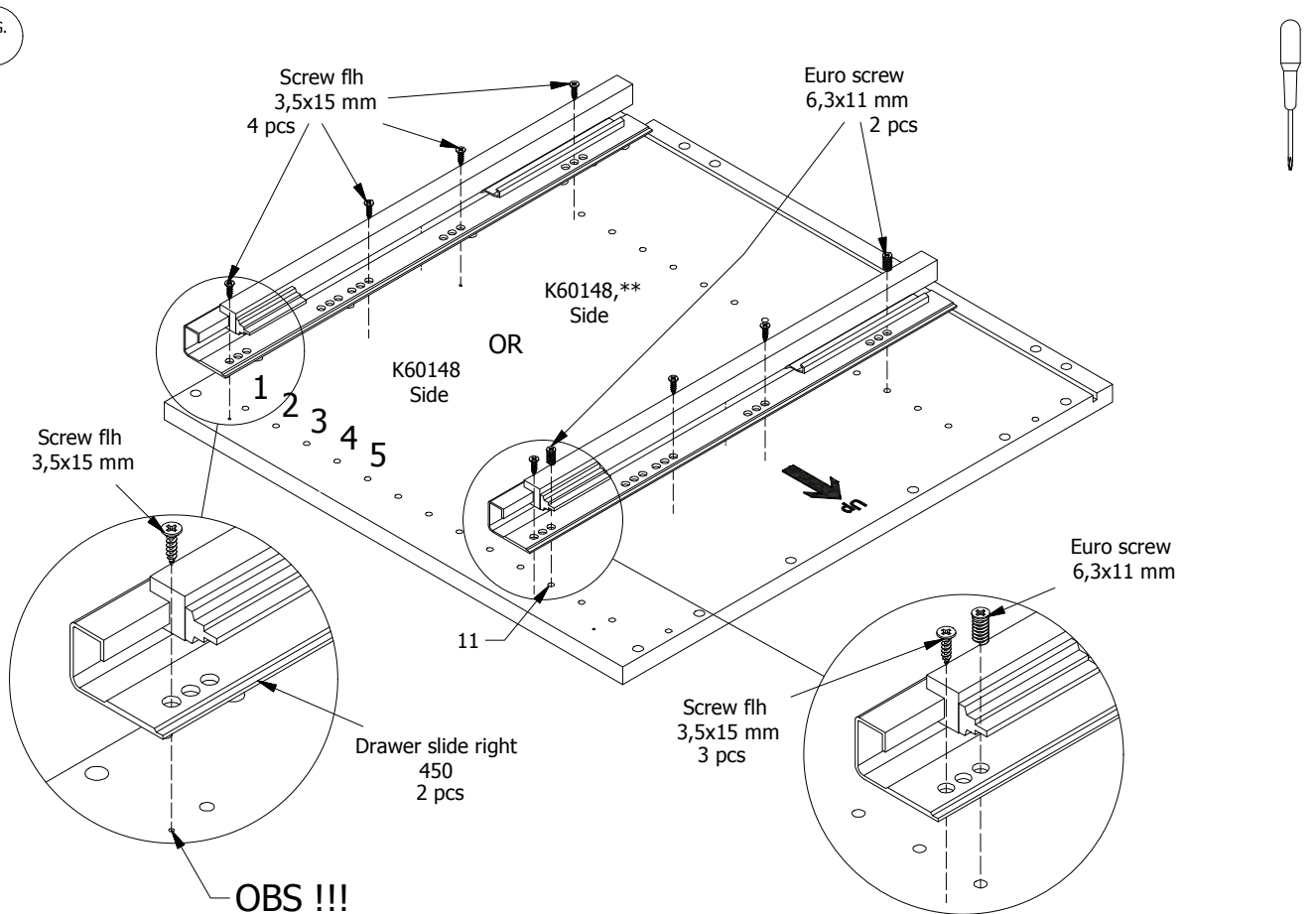


FIG. 3

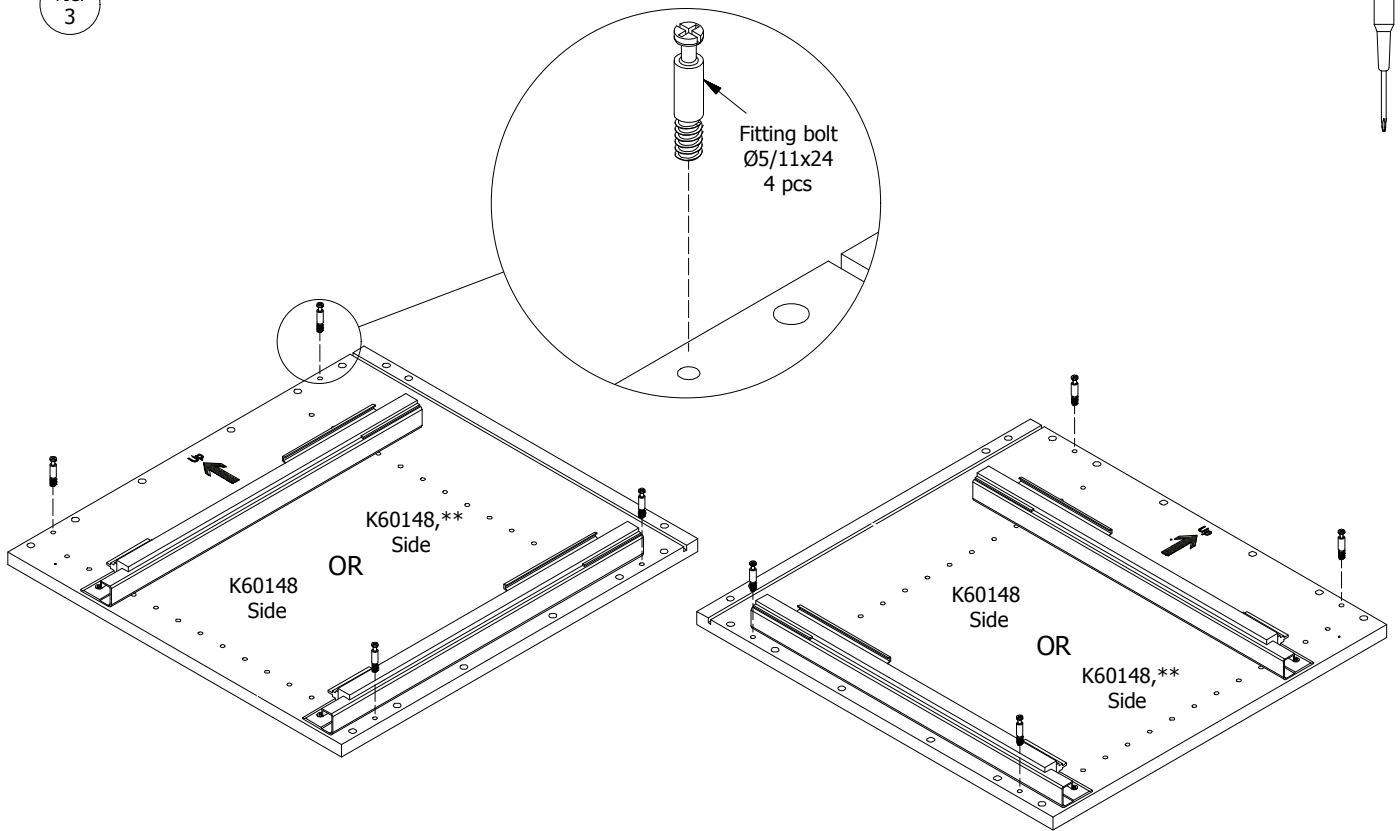


FIG. 4

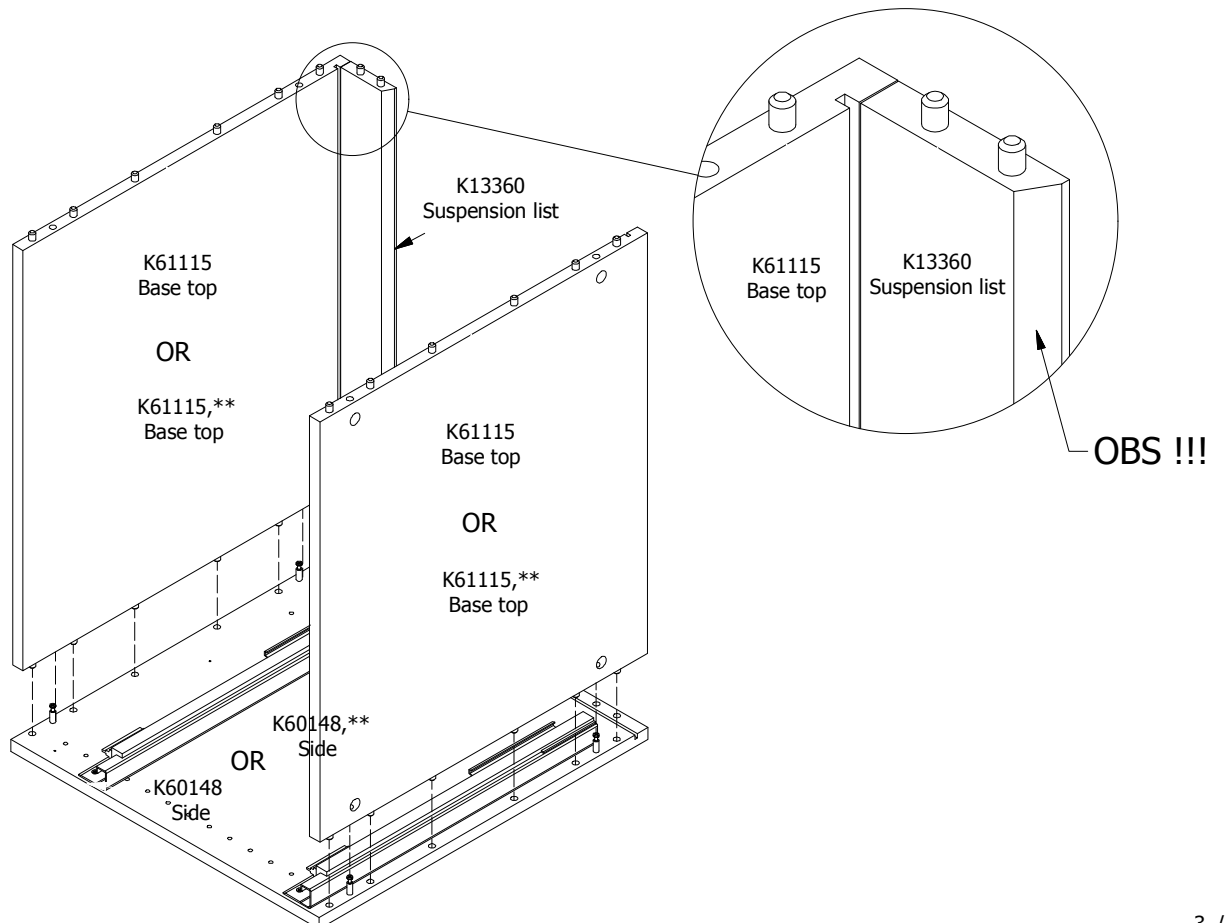


FIG.
5

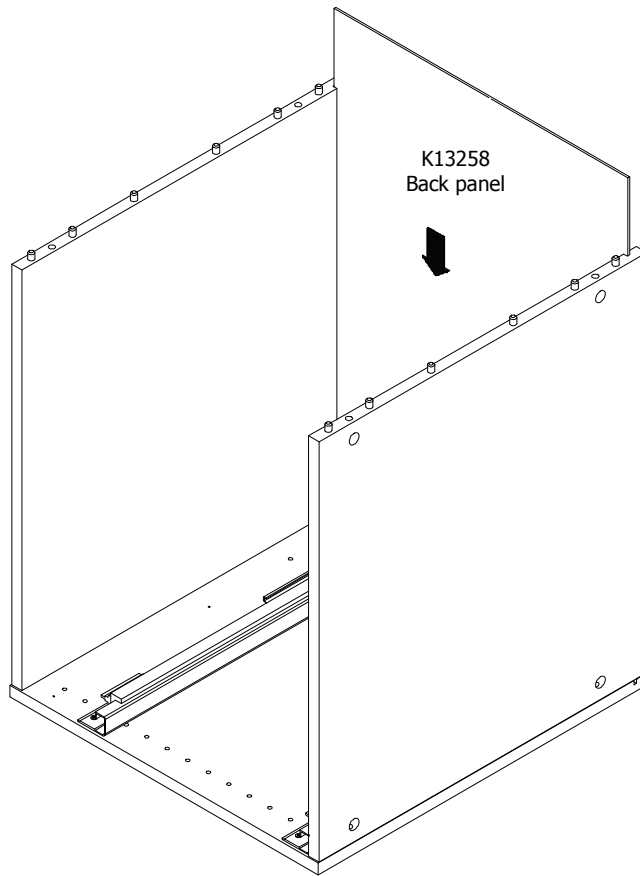


FIG.
6

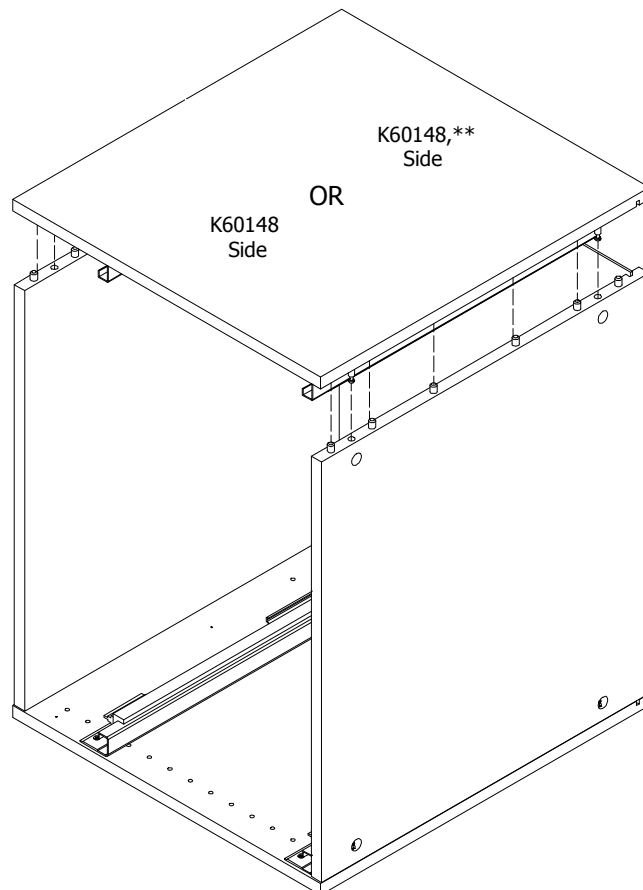


FIG. 7

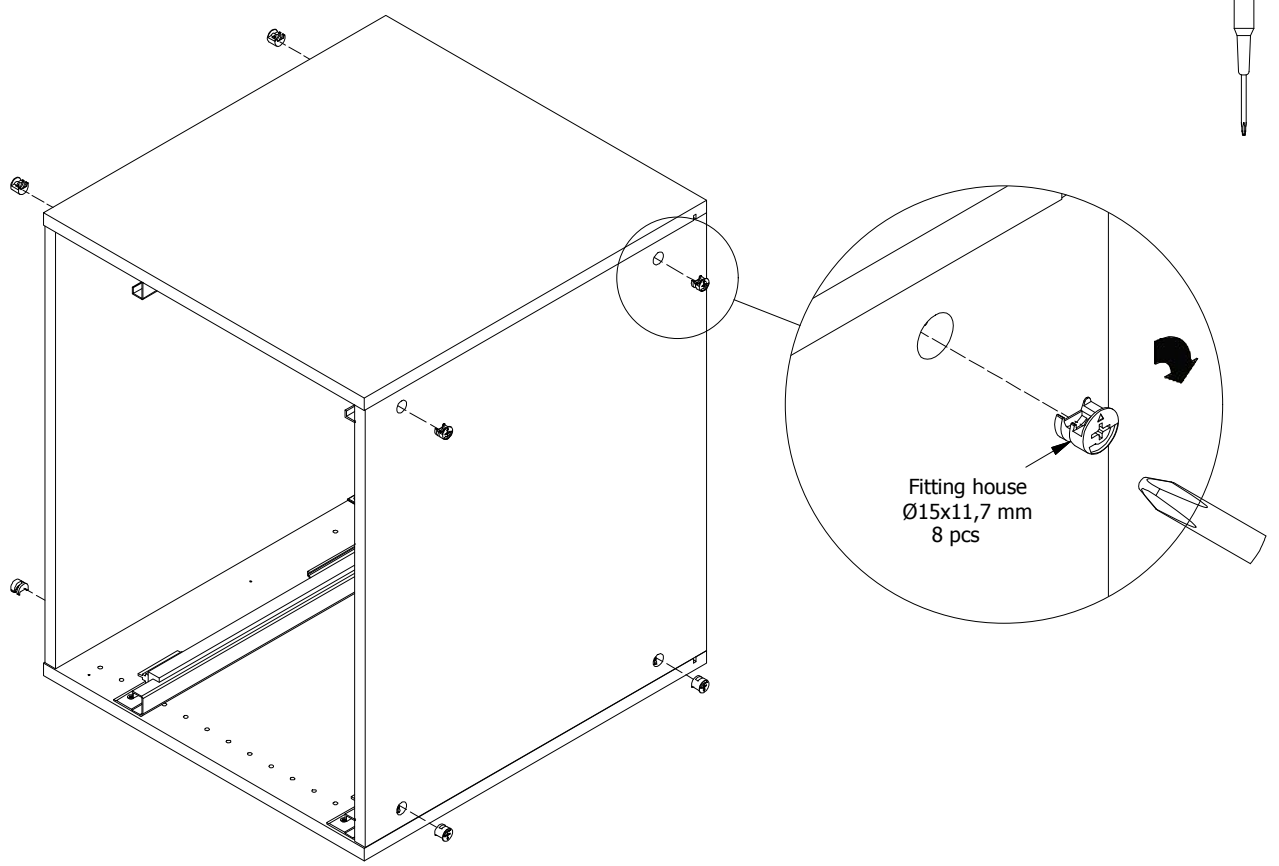


FIG. 8

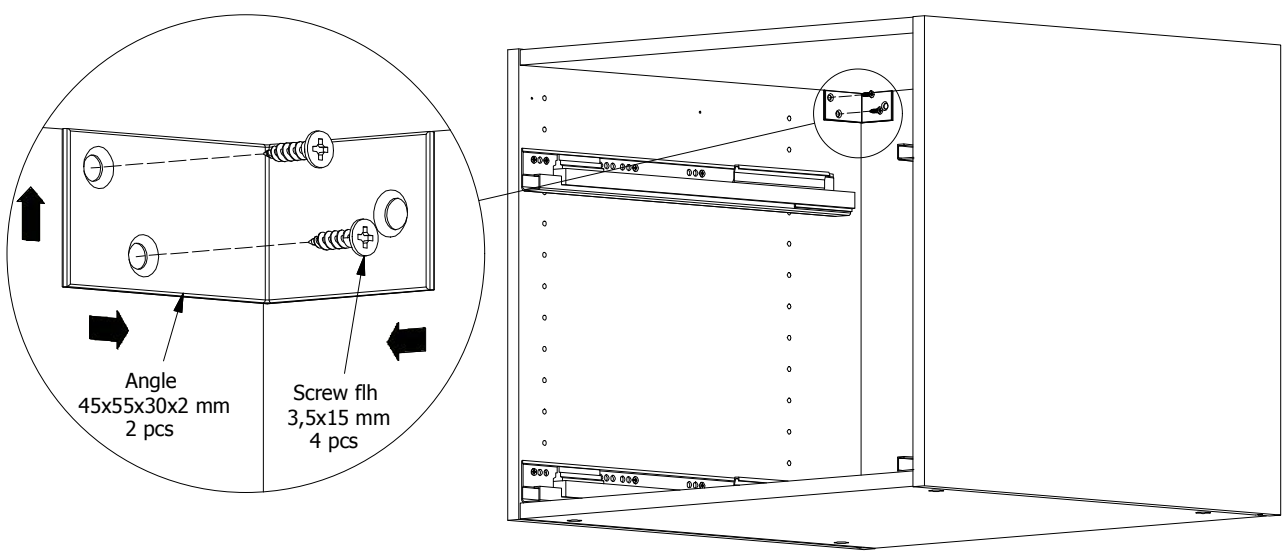


FIG. 9

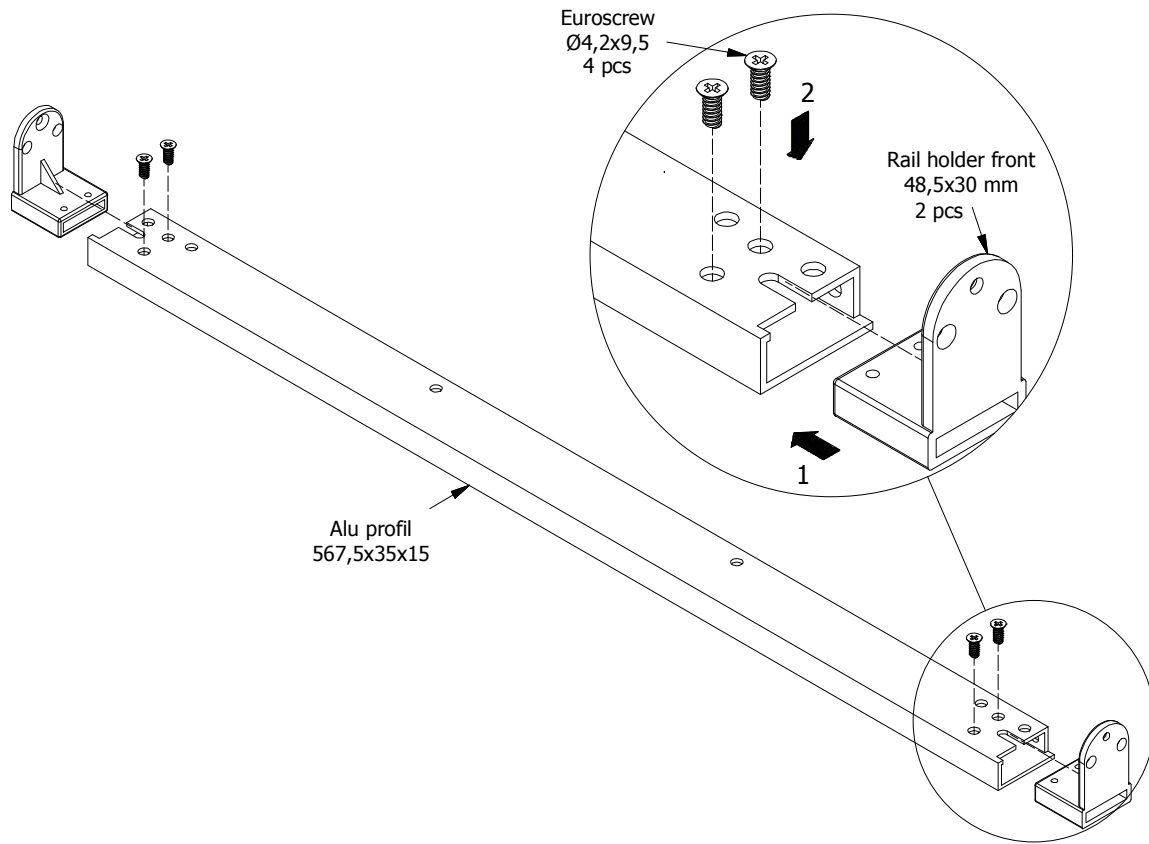


FIG. 10

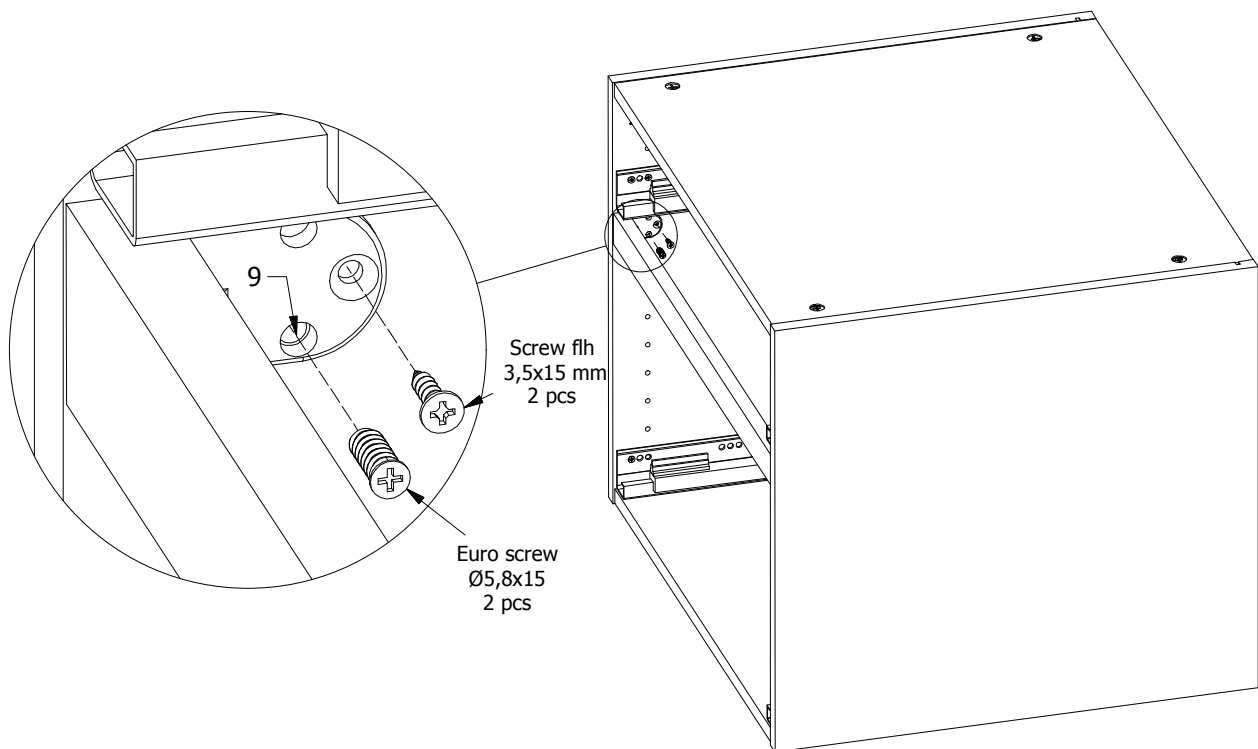


FIG.
11

