

**kvik** 

**MDBU4801,060**

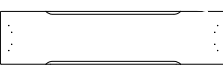
**BU5160,\*\***

**US4851,000/KVIK**

<p>K61115 Base top</p> <p>OR</p> <p>K61115,** Base top</p> <p>2 pcs</p>	<p>K13258 Back panel</p> <p>1 pcs</p>	<p>K13360 Suspension list</p> <p>1 pcs</p>
---	---	--

<p>K60148 Side</p> <p>OR</p> <p>K60148,** Side</p> <p>2 pcs</p>
---

L01660  
Drawer front Mano



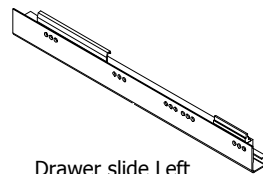
1 pcs

Alu profil  
567,5x35x15



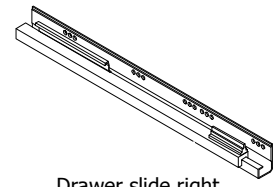
1 pcs

Drawer slide Left  
450



1 pcs

Drawer slide right  
450



1 pcs

**BP00260-BP00250-BP00340-BP01904**



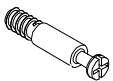
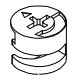
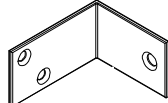
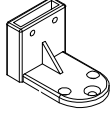


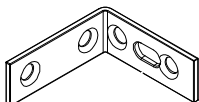
 <p>Screw flh 3,5x15 mm 18 pcs</p>	 <p>Euro screw 6,3x11 mm 2 pcs</p>	 <p>Fitting bolt Ø5/11x24 8 pcs</p>	 <p>Fitting house Ø15x11,7 mm 8 pcs</p>	 <p>Angle 45x55x30x2 mm 2 pcs</p>
 <p>Rail holder front 48,5x30 mm 2 pcs</p>	 <p>Euroscrew Ø4,2x9,5 4 pcs</p>	 <p>Euro screw Ø5,8x15 2 pcs</p>	 <p>Angle 46x43 mm 2 pcs</p>	

FIG. 1

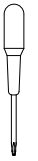
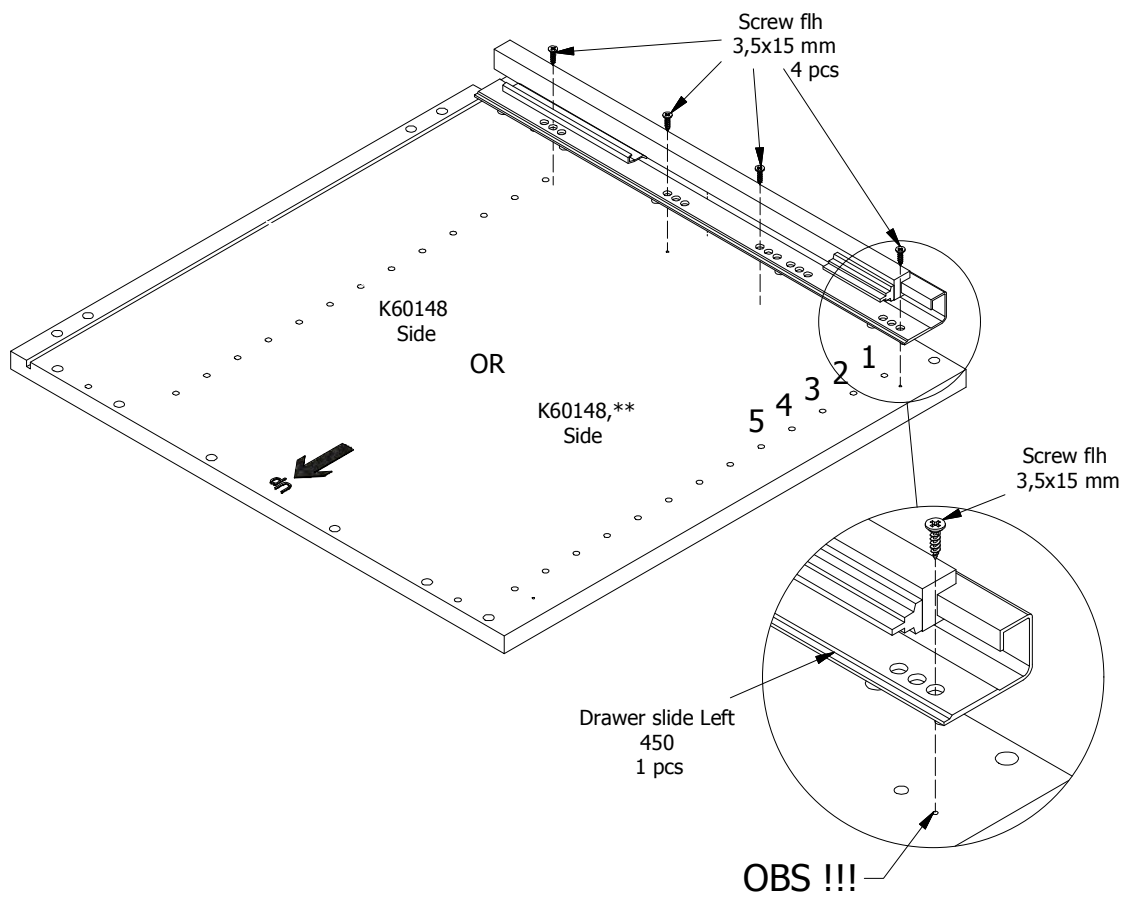


FIG. 2

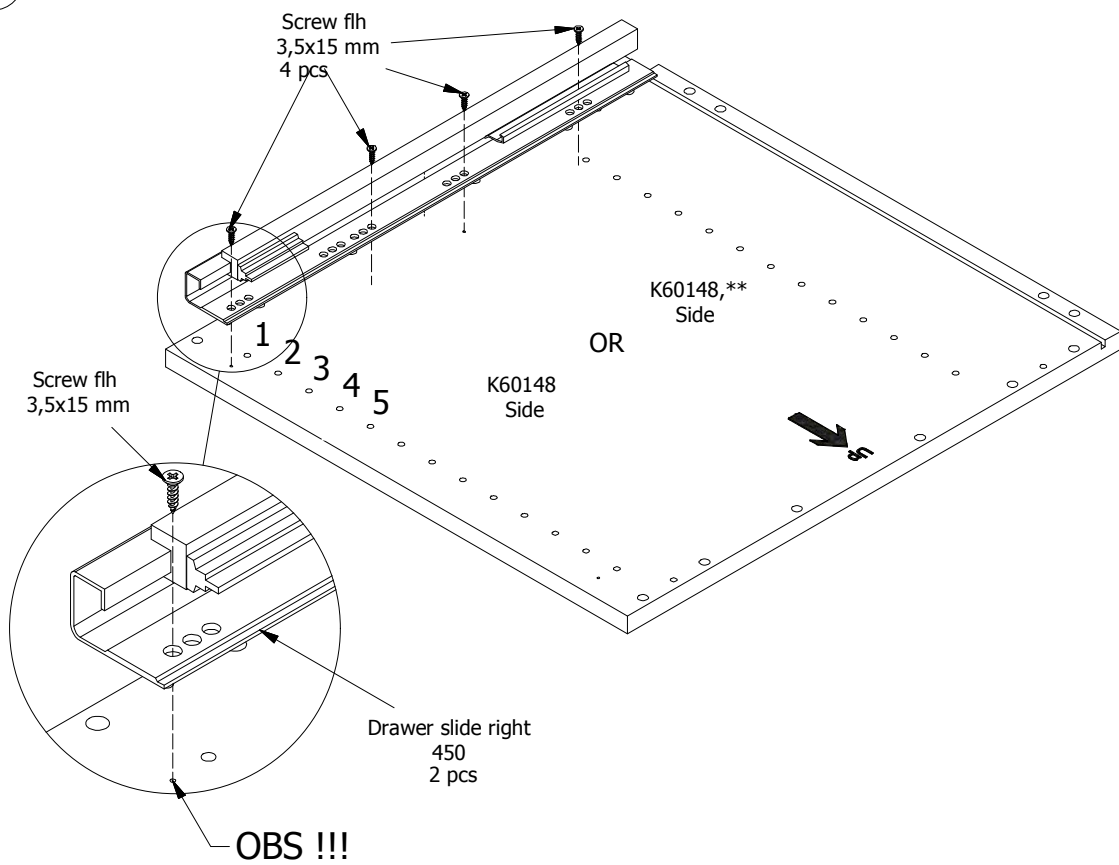


FIG. 3

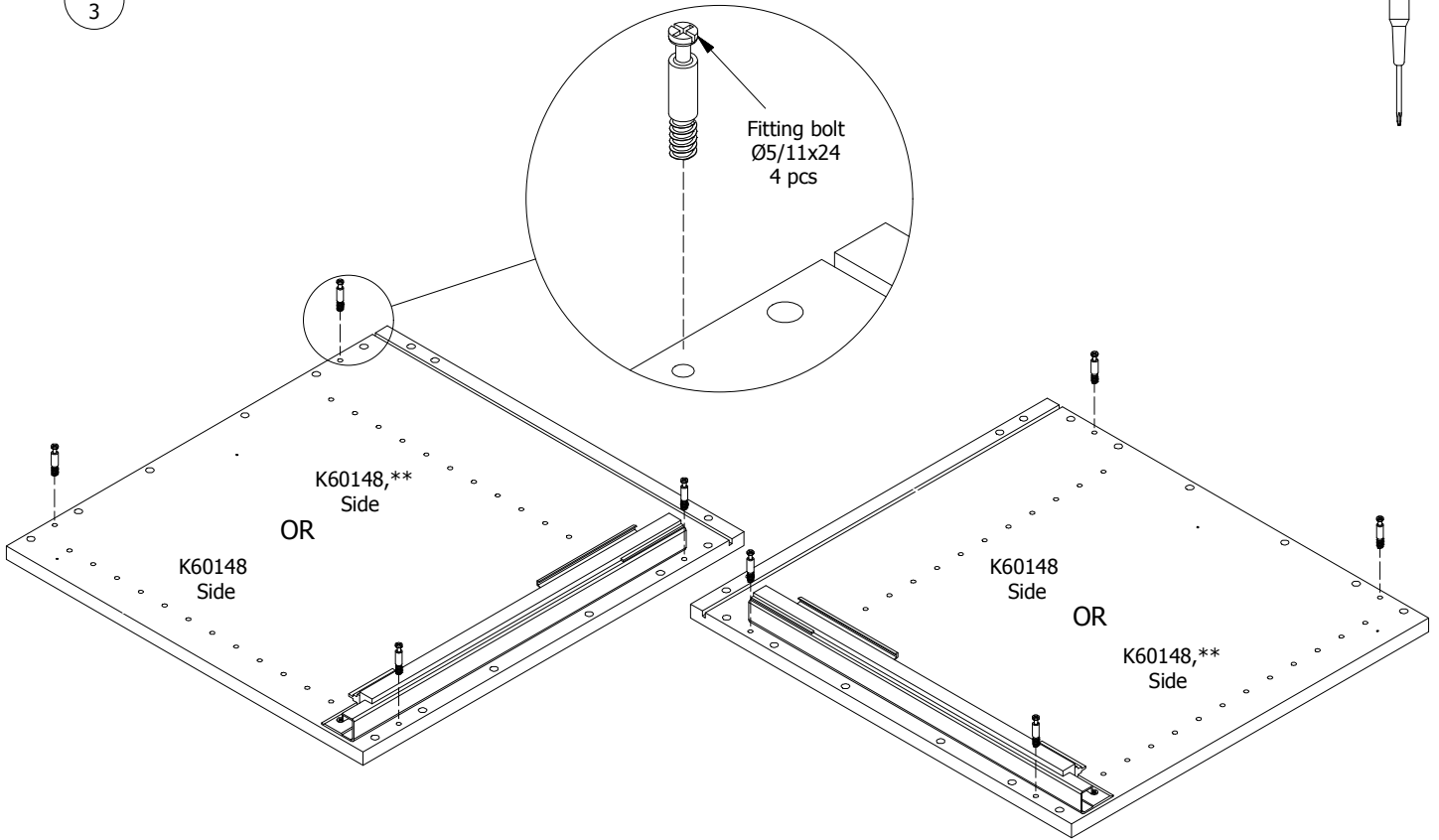


FIG. 4

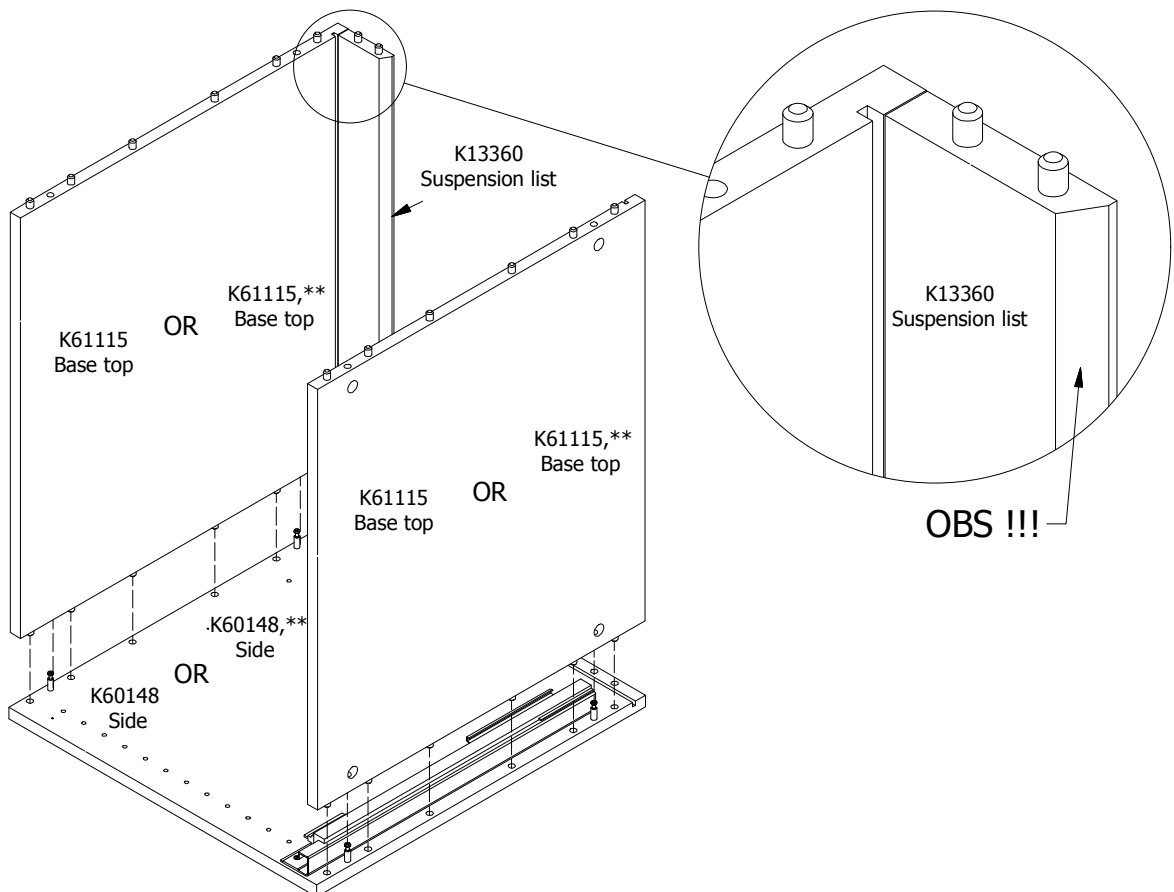


FIG.  
5

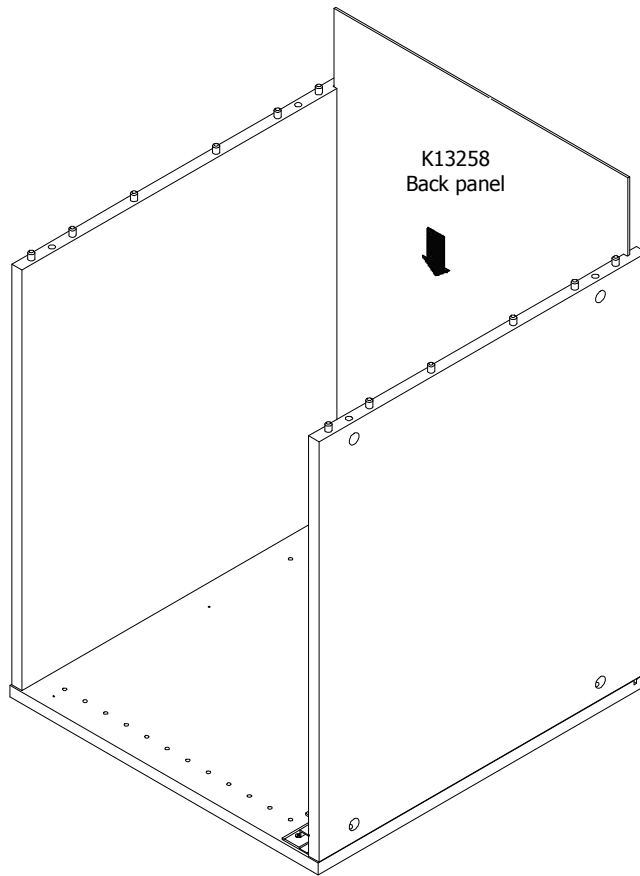


FIG.  
6

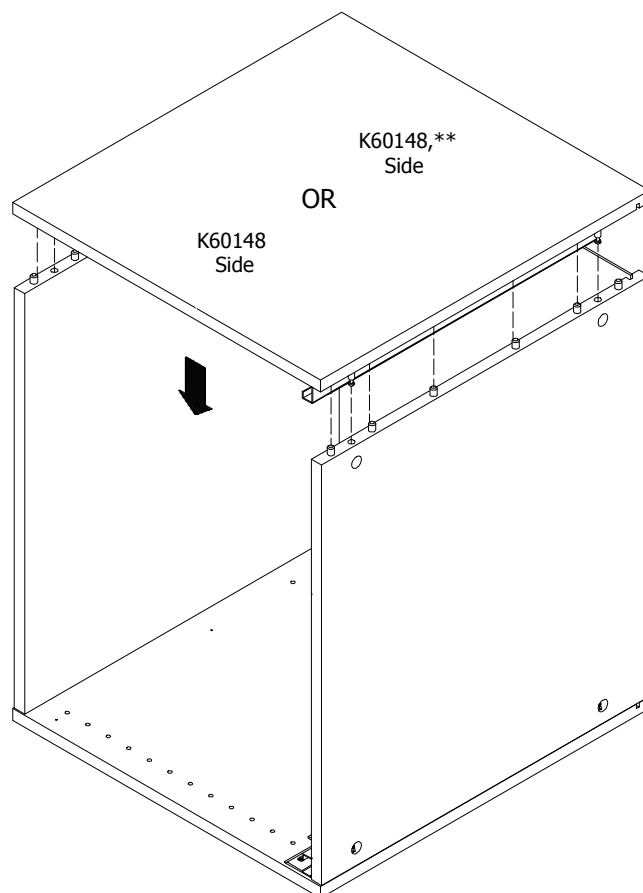


FIG. 7

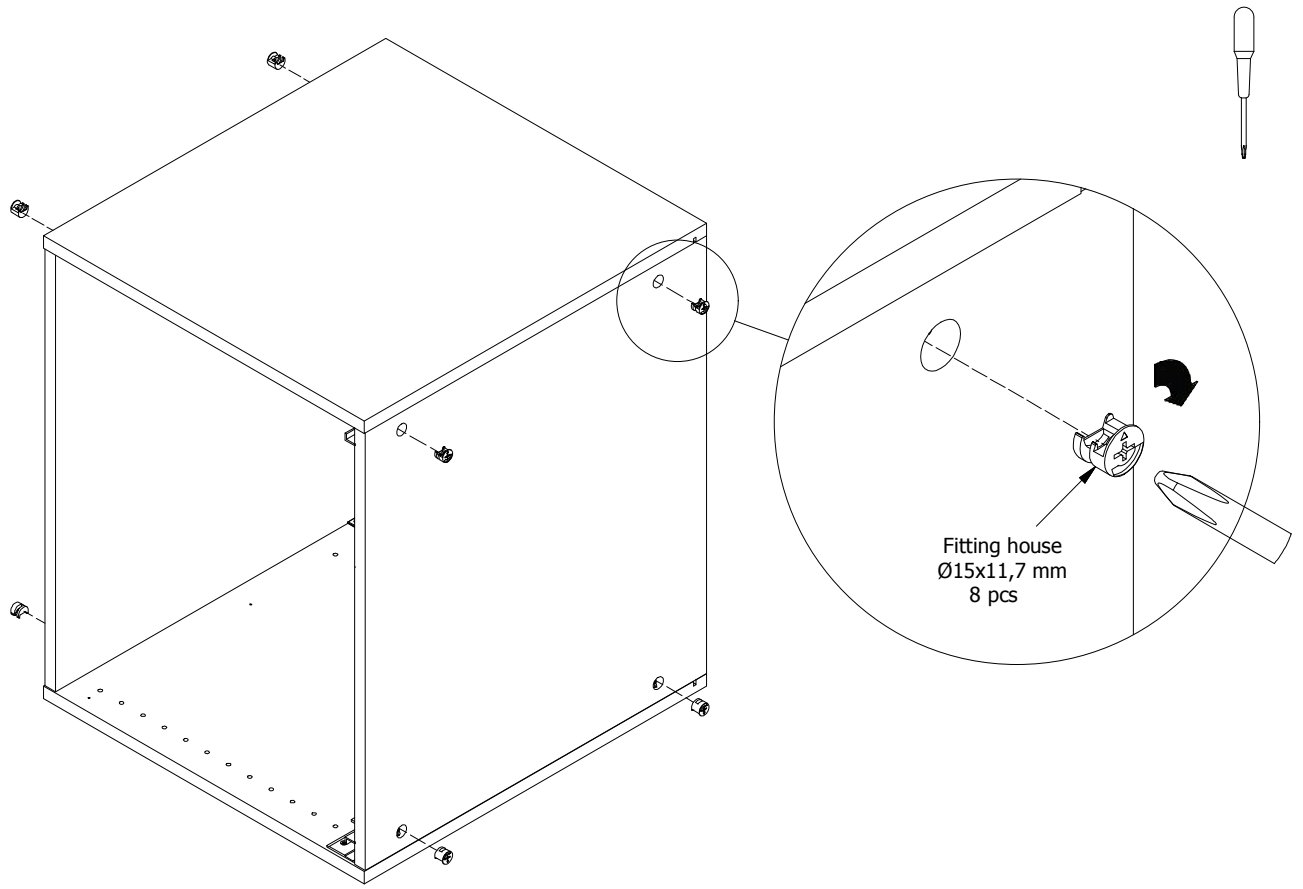


FIG. 8

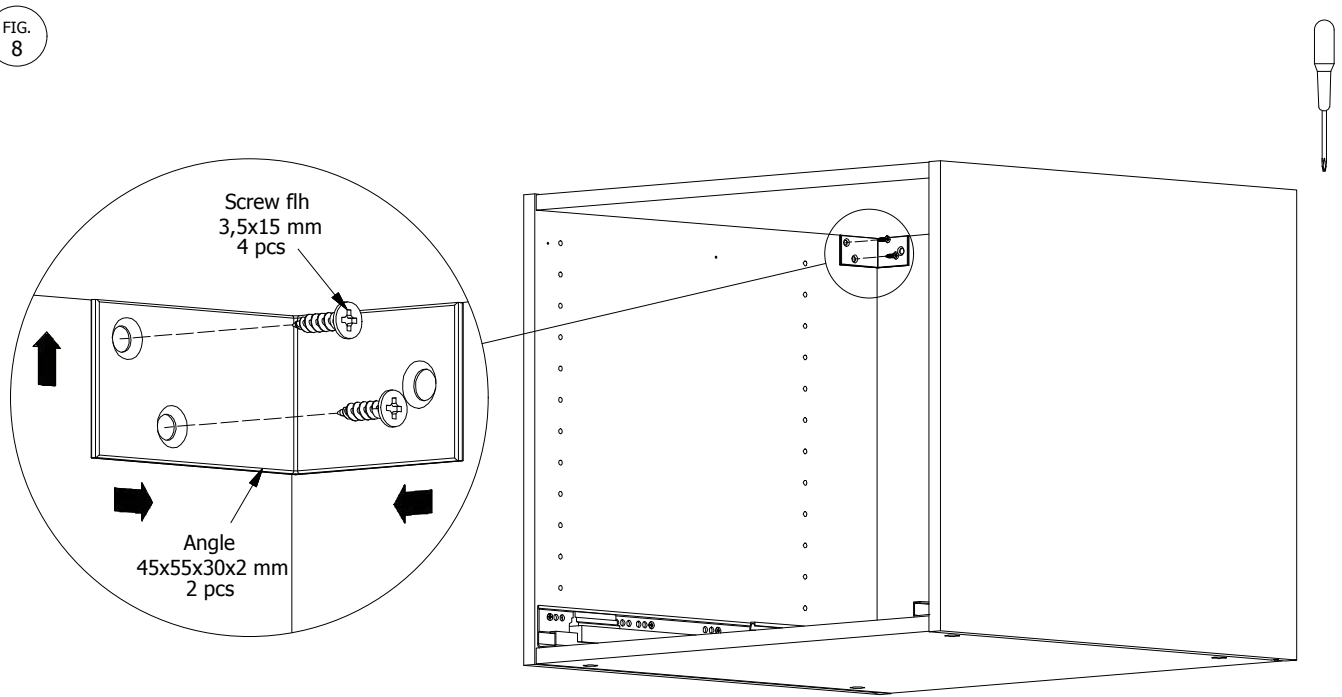


FIG. 9

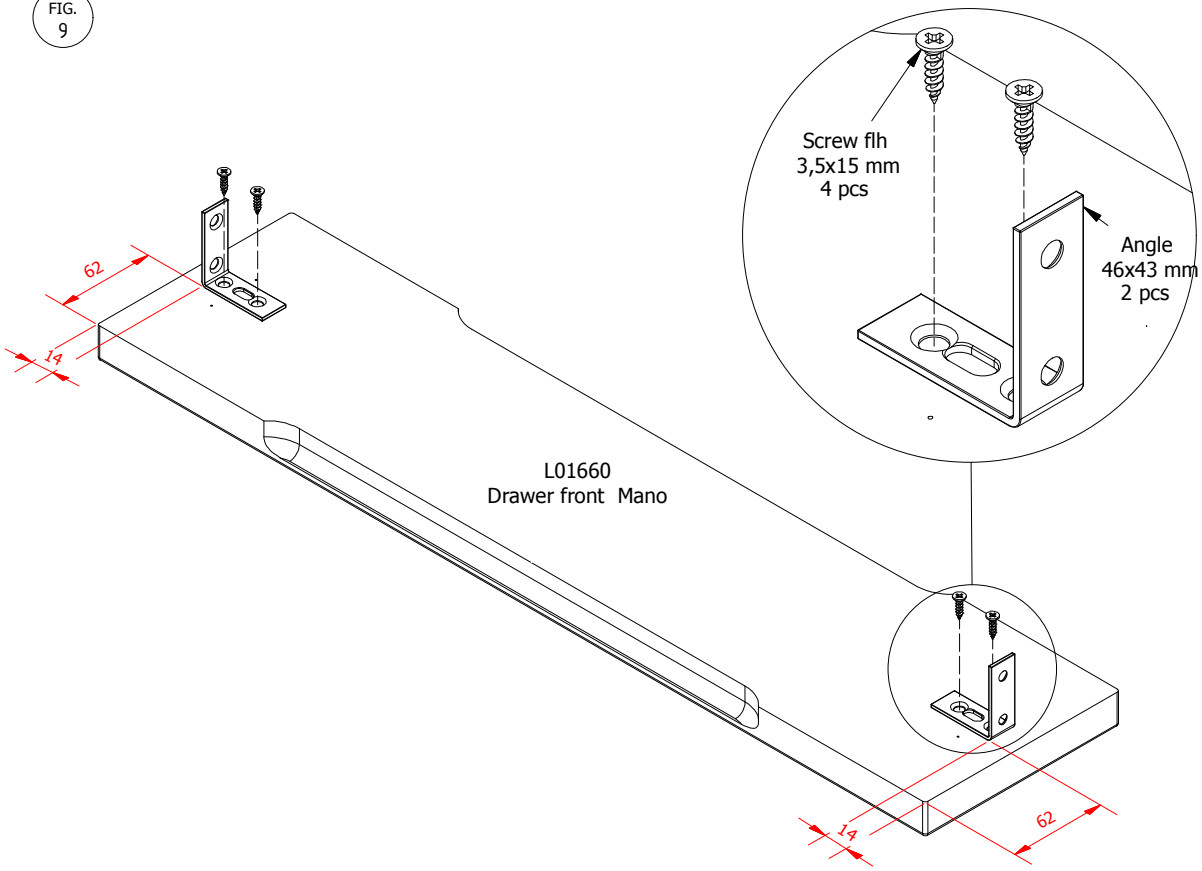


FIG. 10

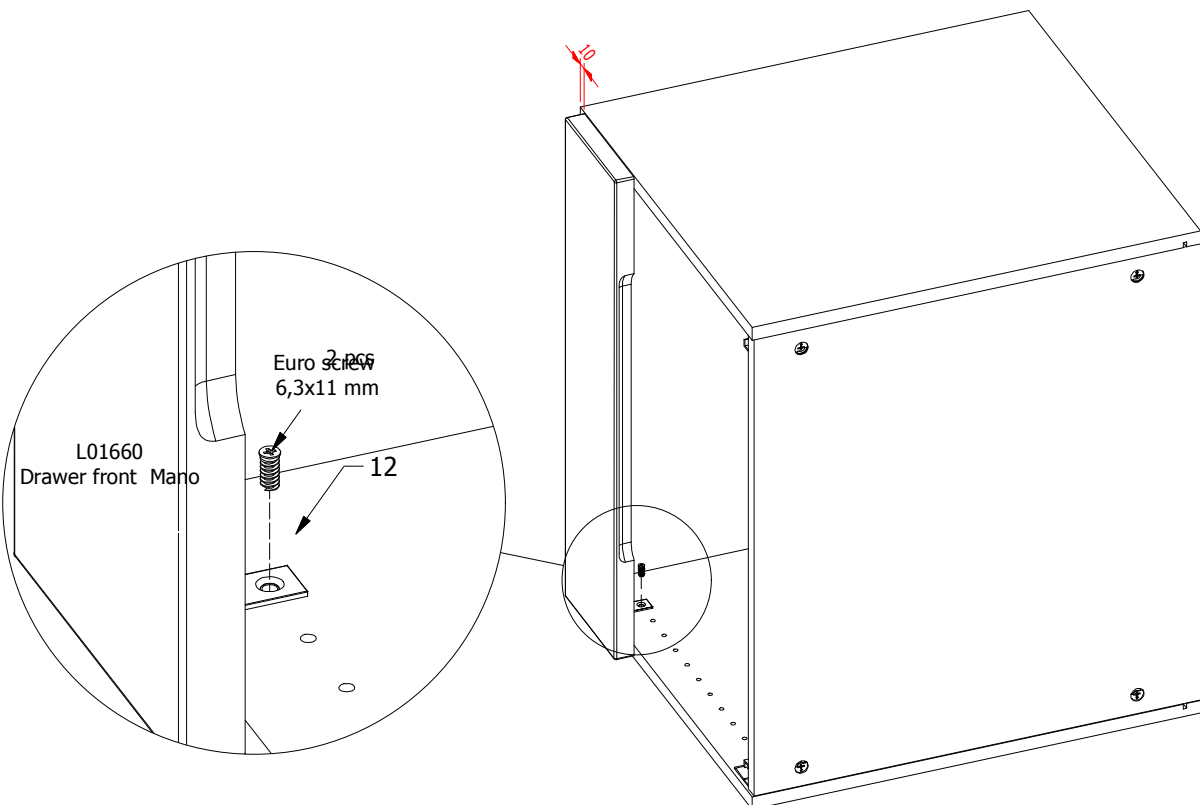


FIG. 11

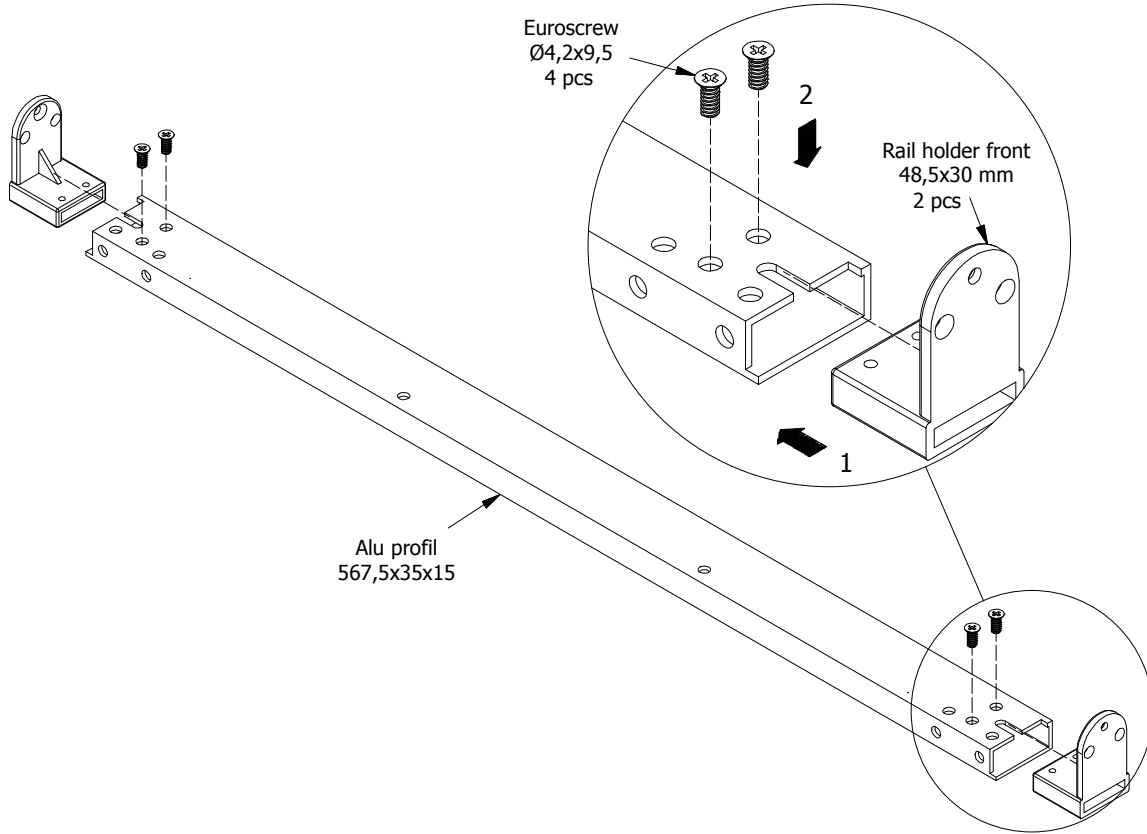


FIG. 12

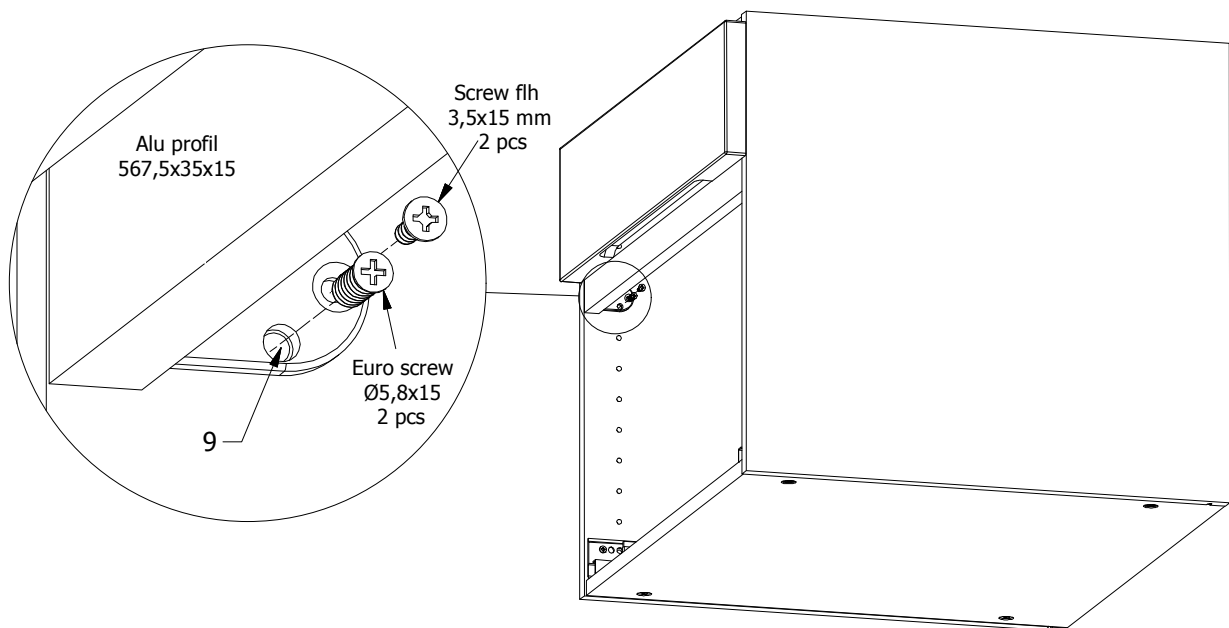


FIG.  
13

