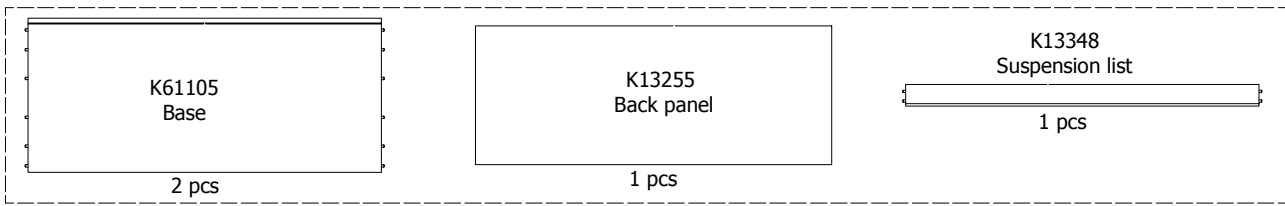


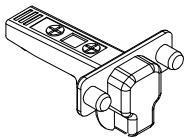
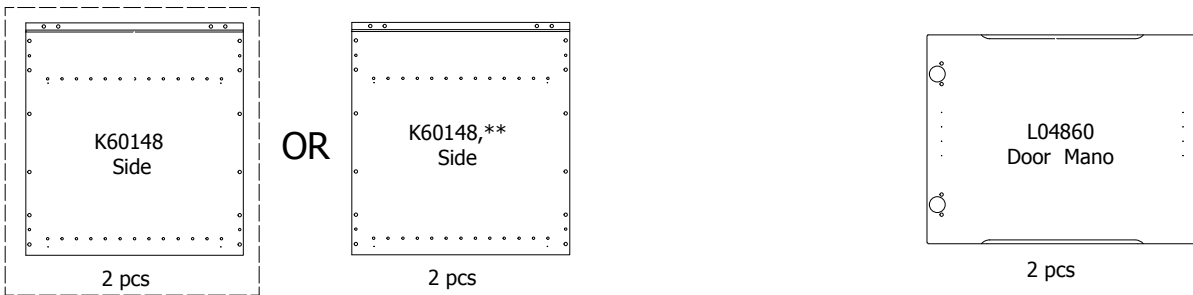
kvik 

MDBU4800,120

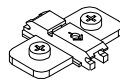
BU5112,***



US4851,000



Hinge
107 degrees
4 pcs



Mounting
plate
4 pcs

BP00265-BP00250

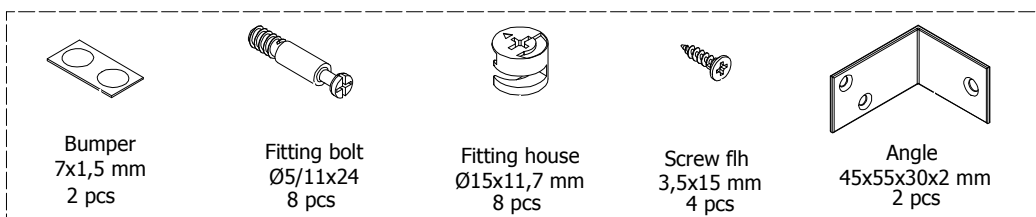


FIG. 1

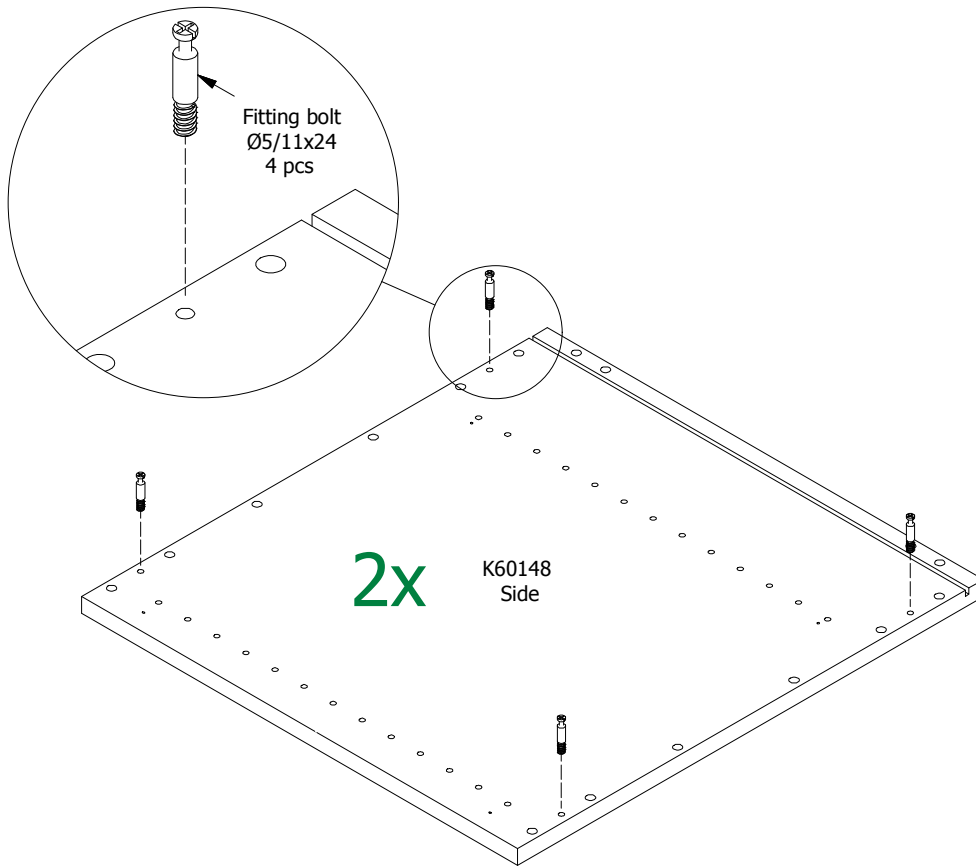


FIG. 2

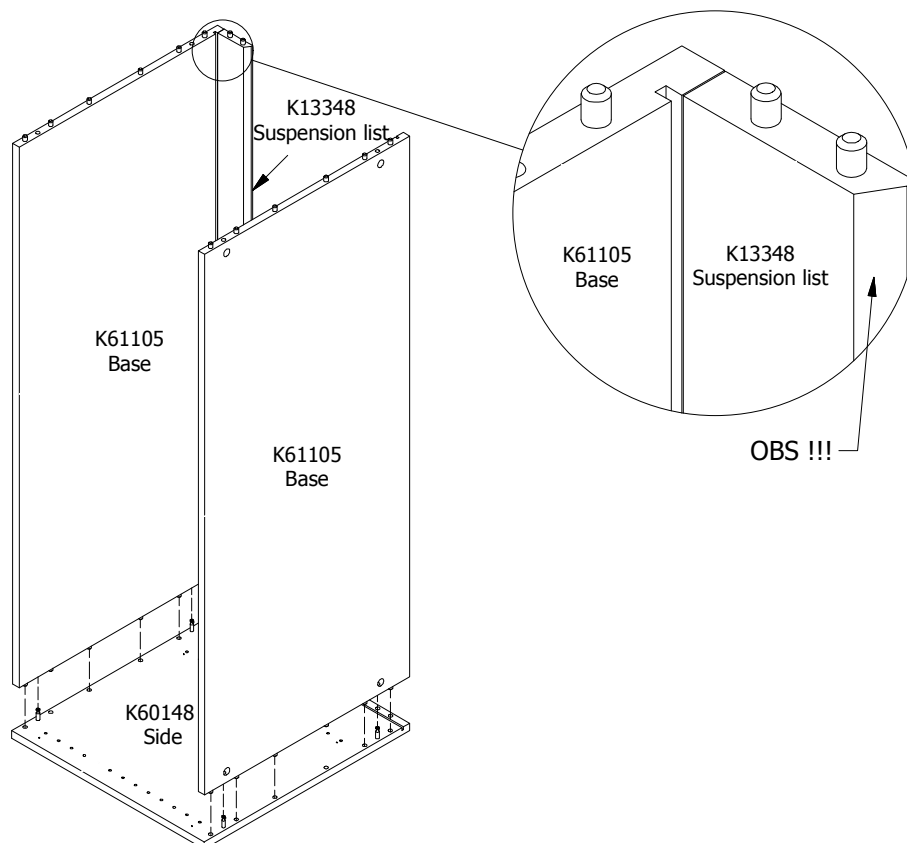


FIG.
3

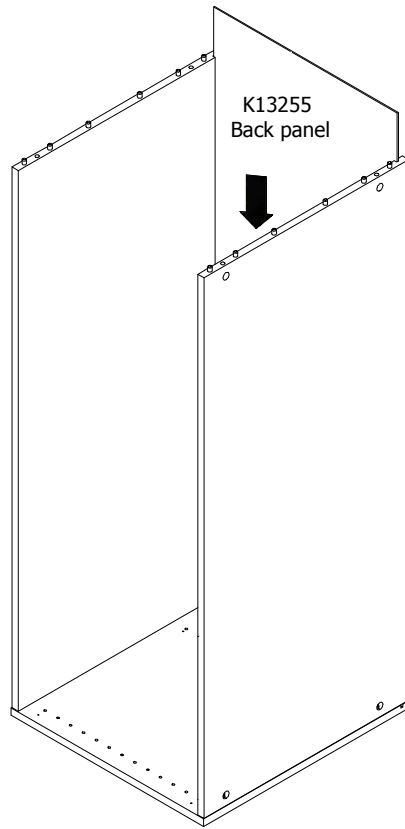


FIG.
4

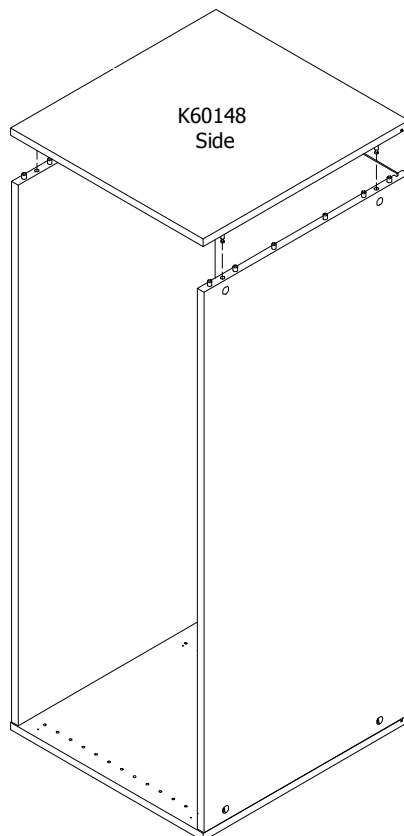


FIG. 5

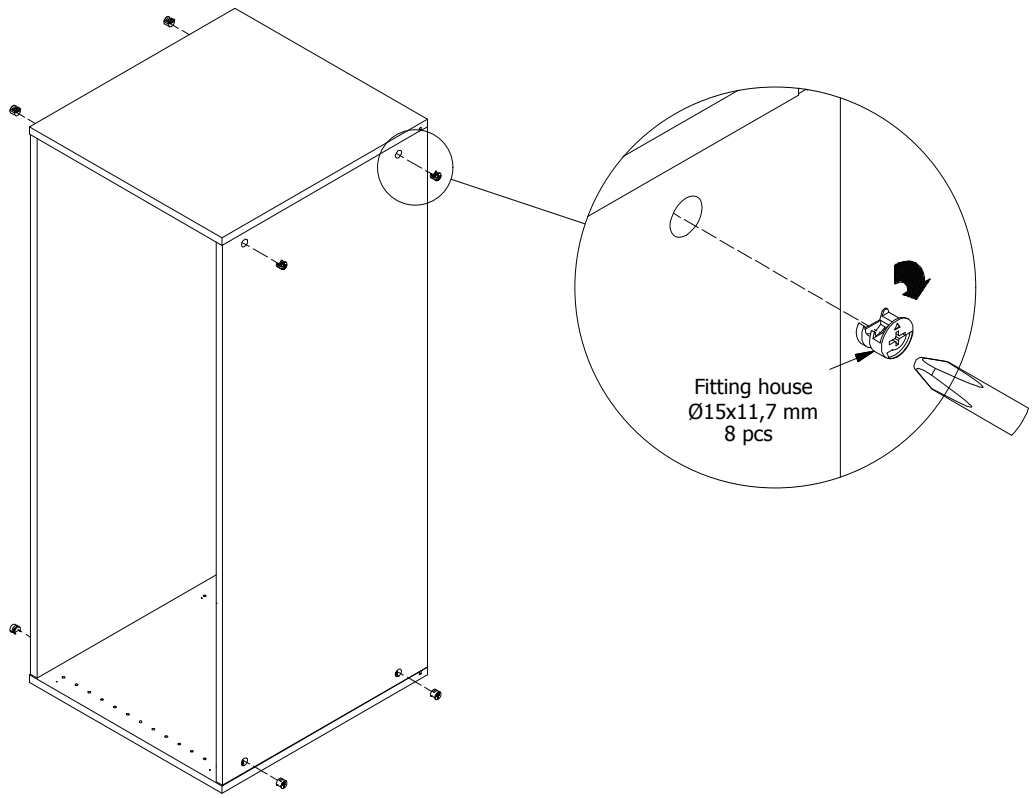


FIG. 6

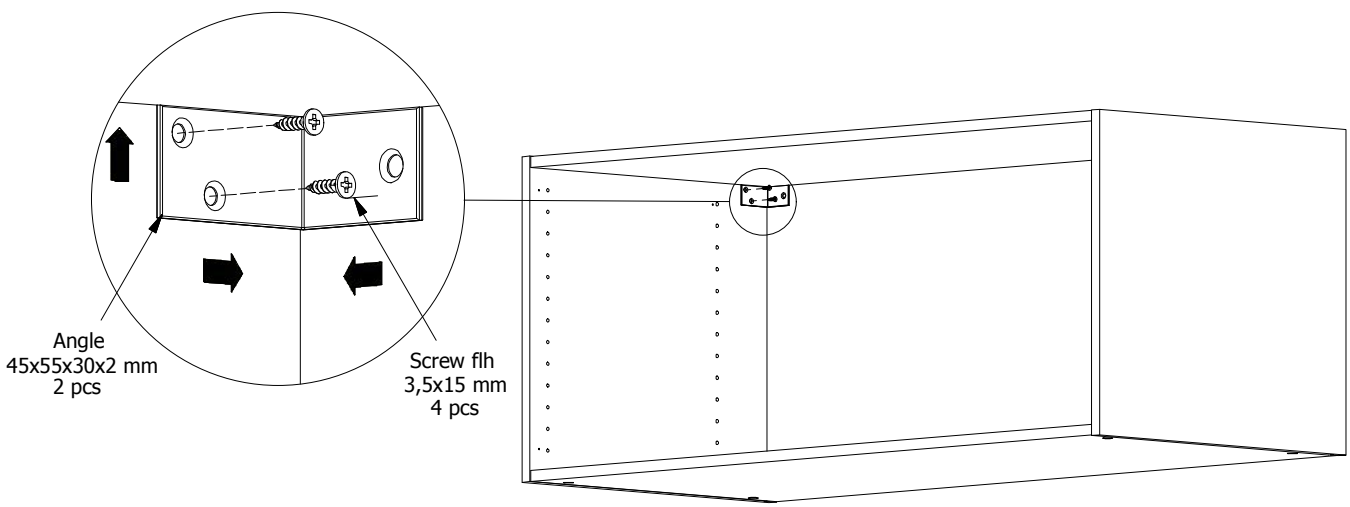


FIG. 7

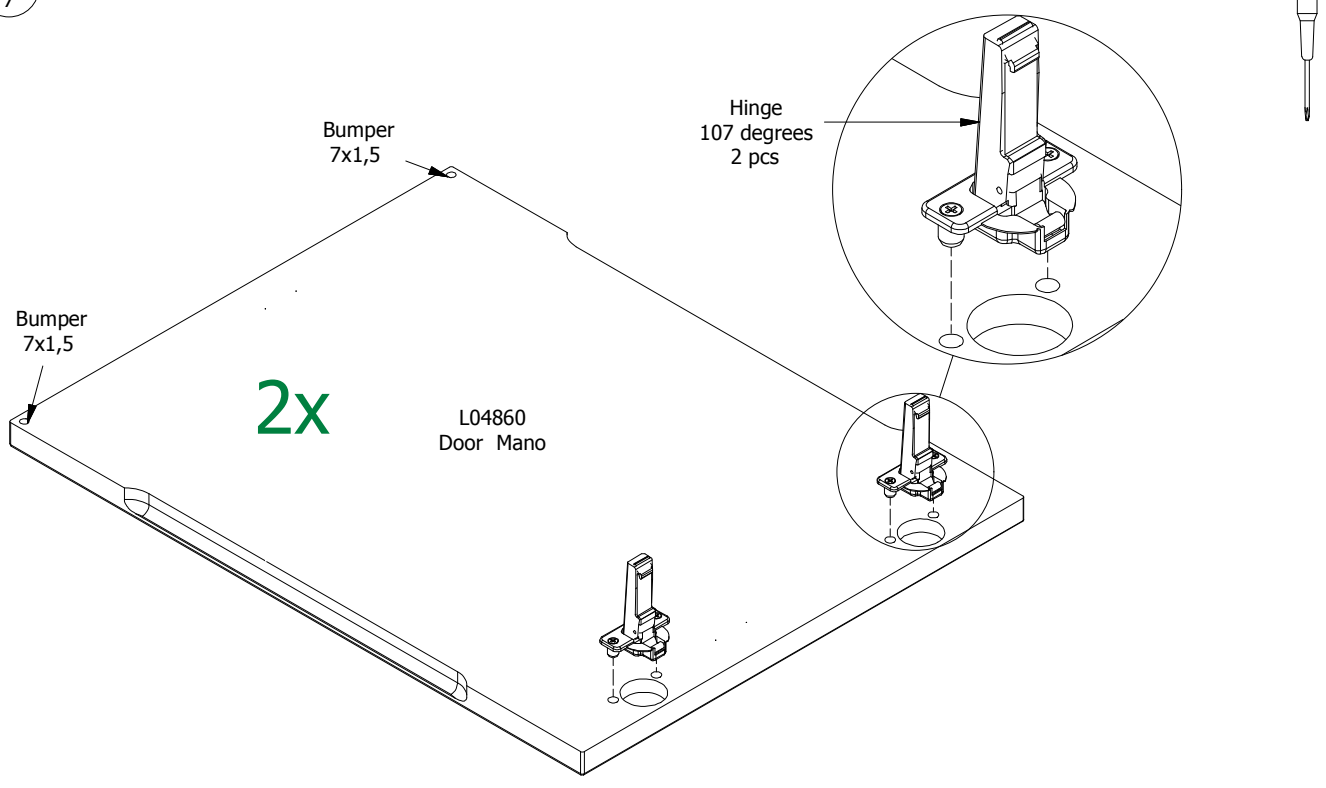


FIG. 8

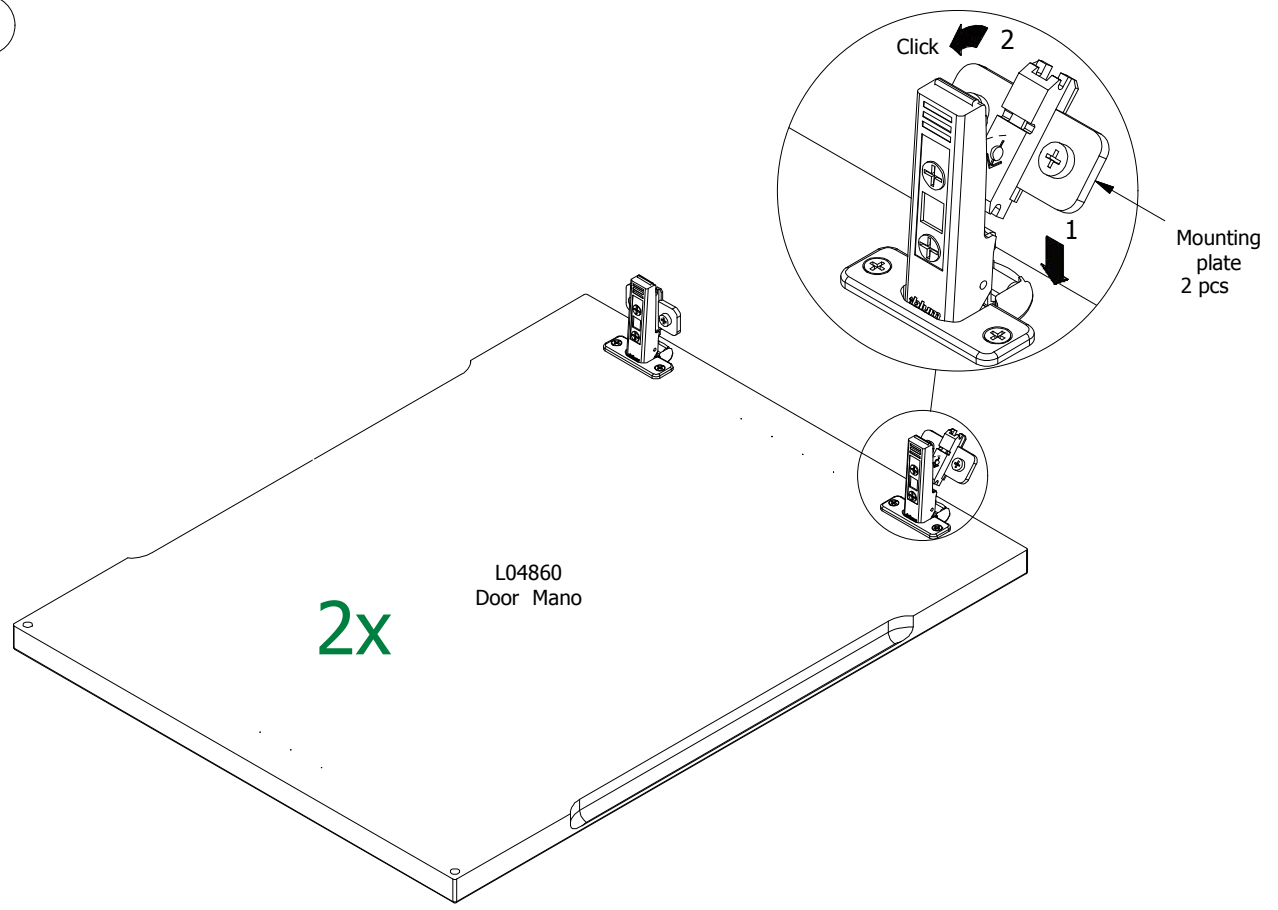


FIG. 9

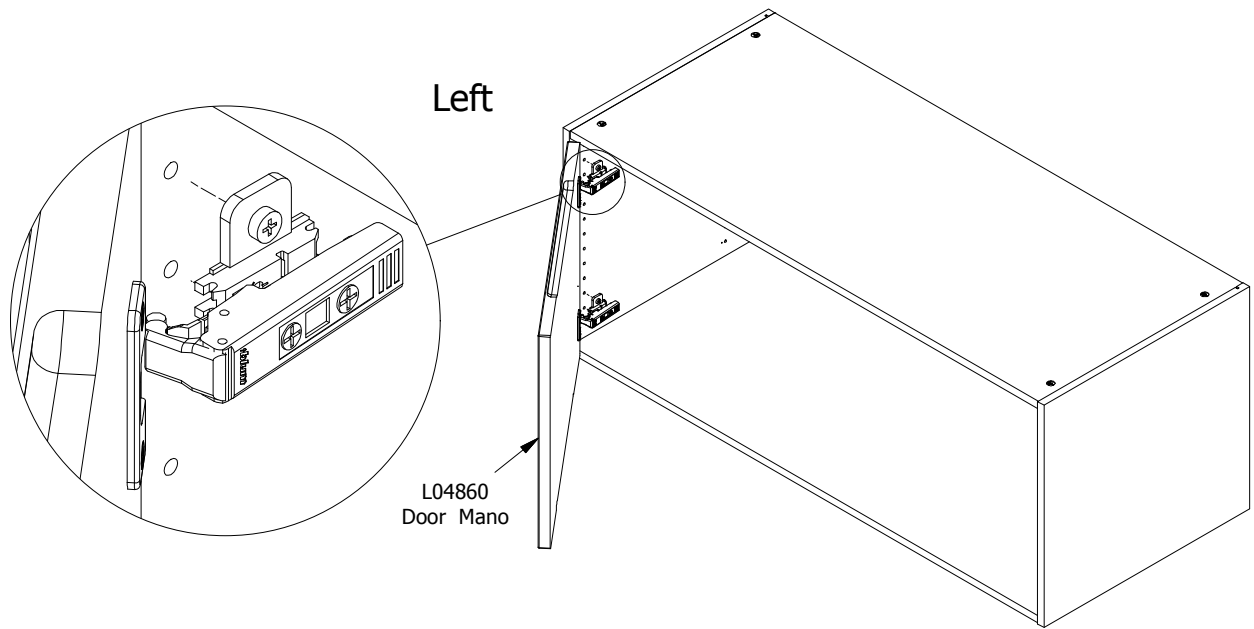
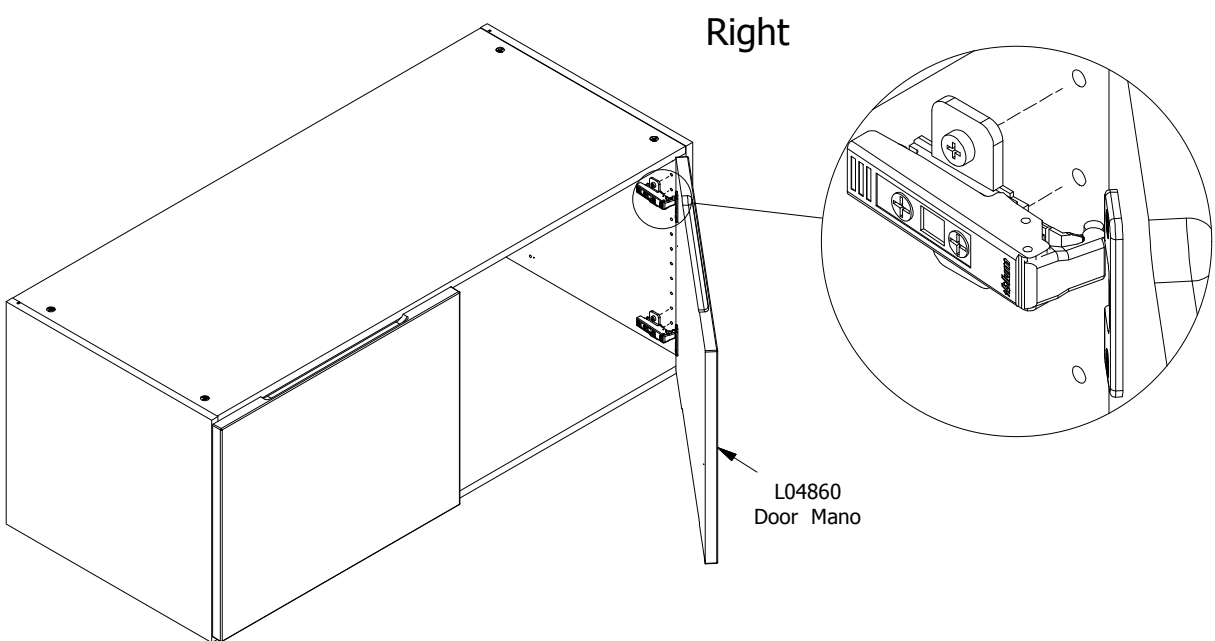


FIG. 10



Adjustment

