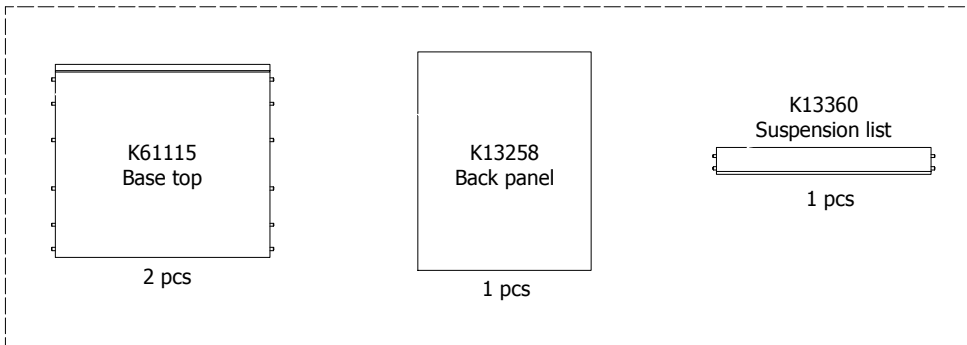


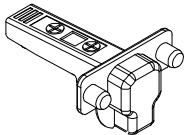
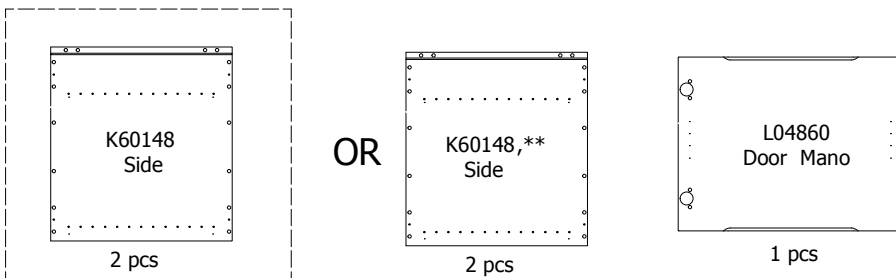
**kvik**

**MDBU4800,060**

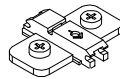
**BU5160,000**



**US4851,000**



Hinge  
107 degrees  
2 pcs



Mounting  
plate  
2 pcs

**BP00250-BP00260**

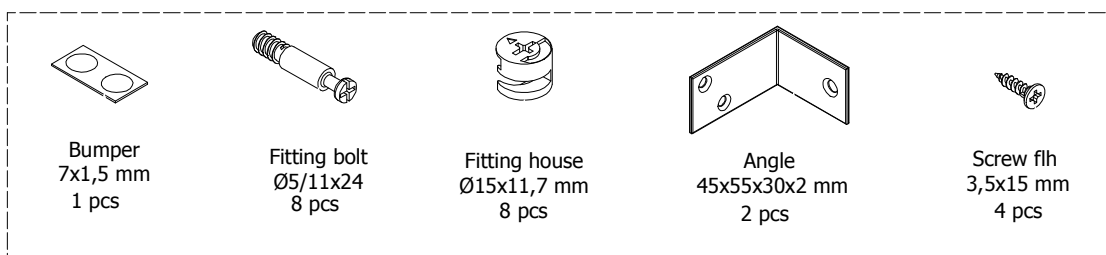


FIG. 1

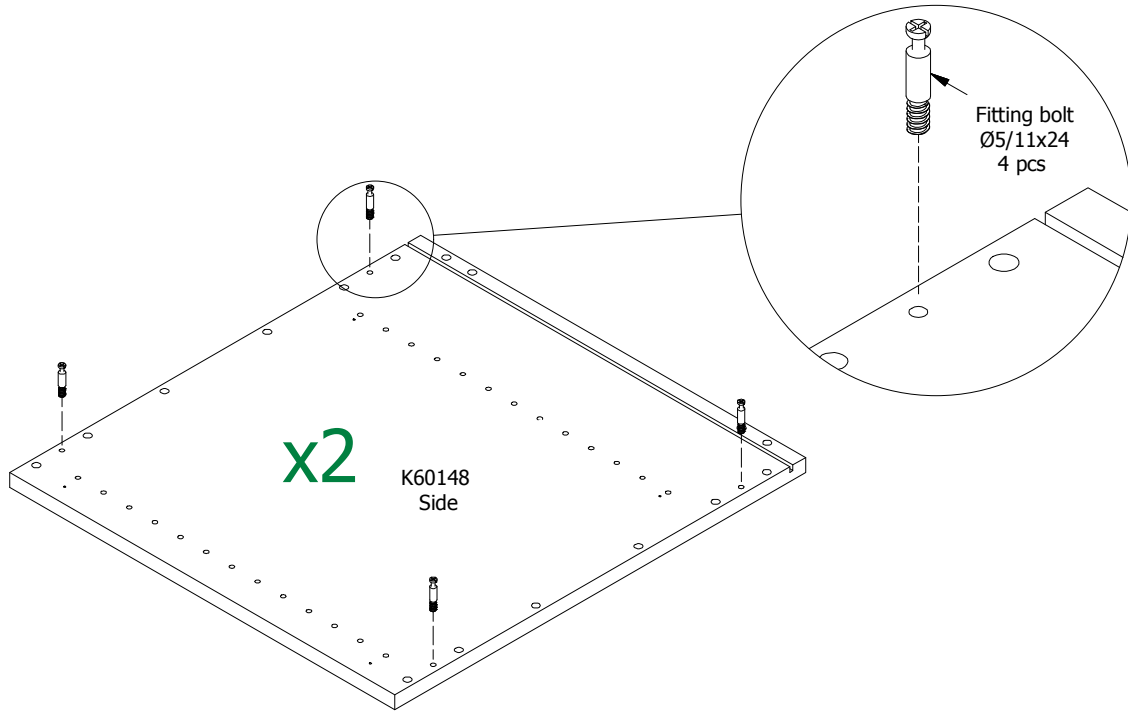


FIG. 2

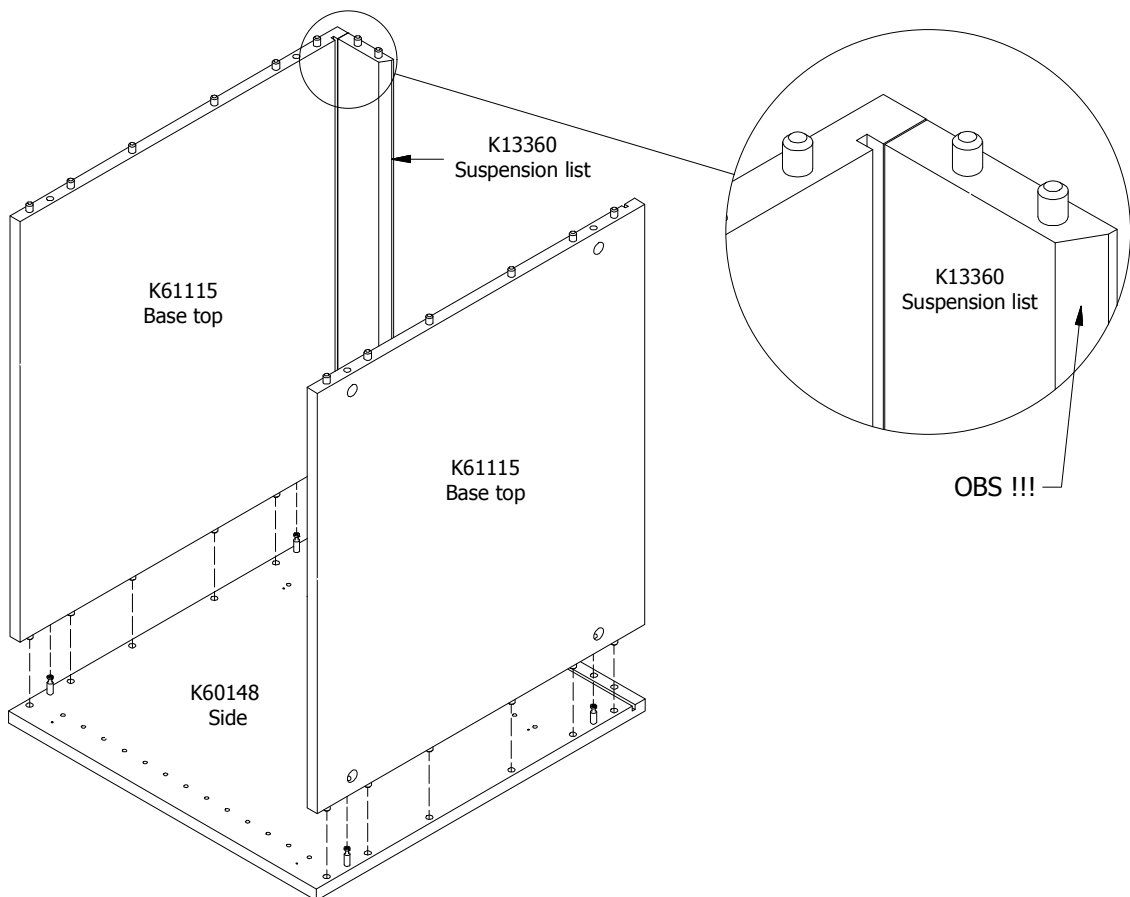


FIG. 3

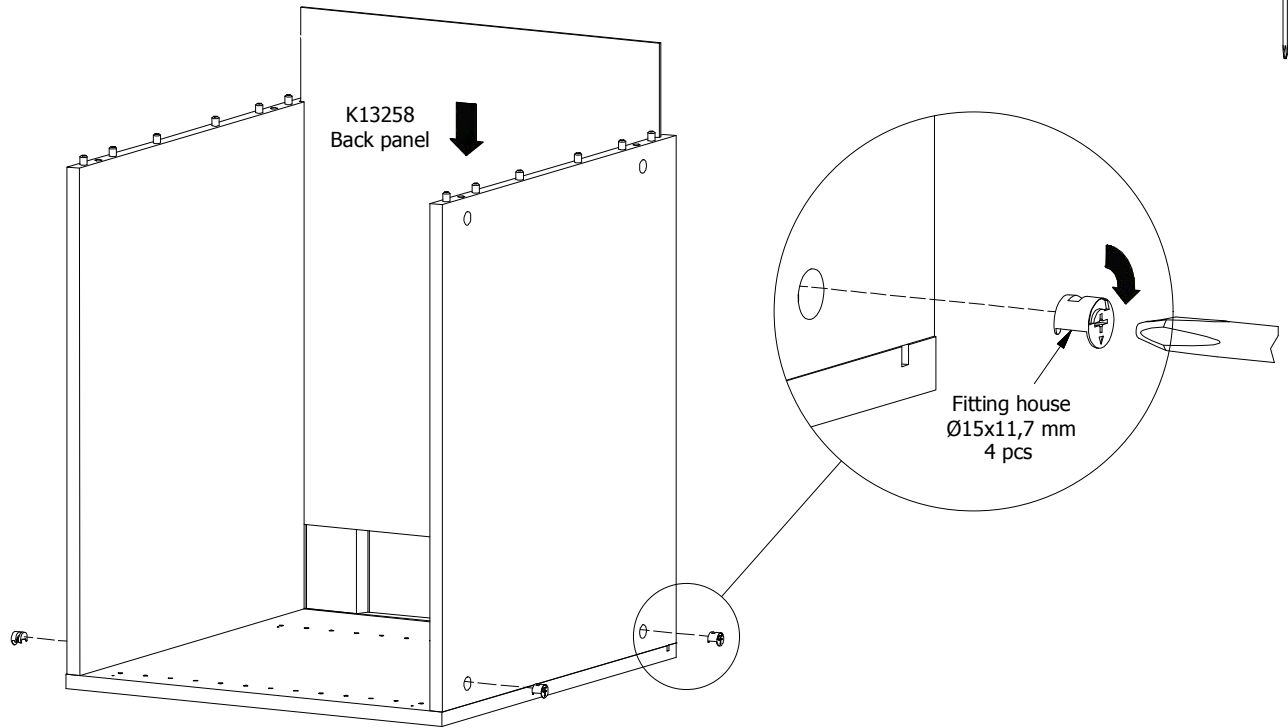


FIG. 4

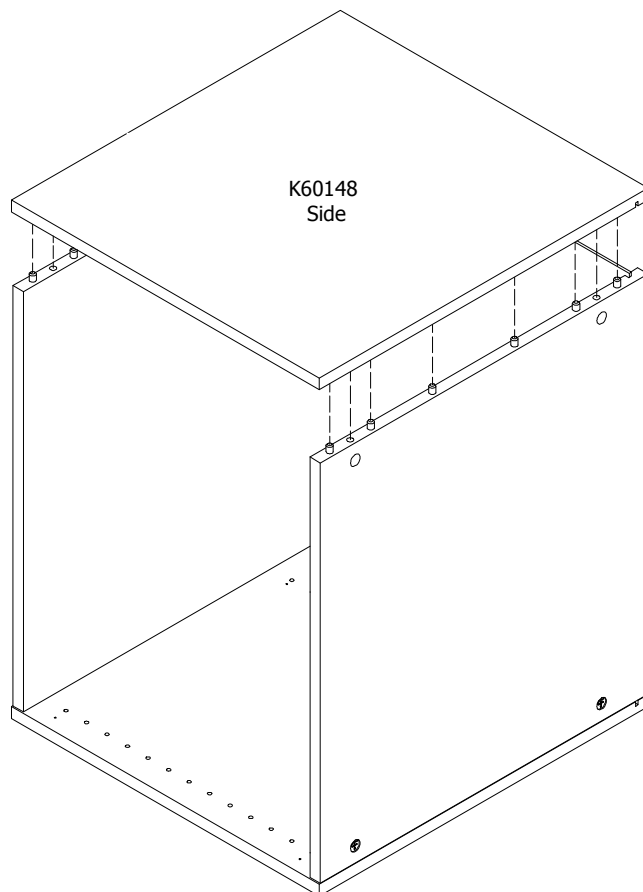


FIG. 5

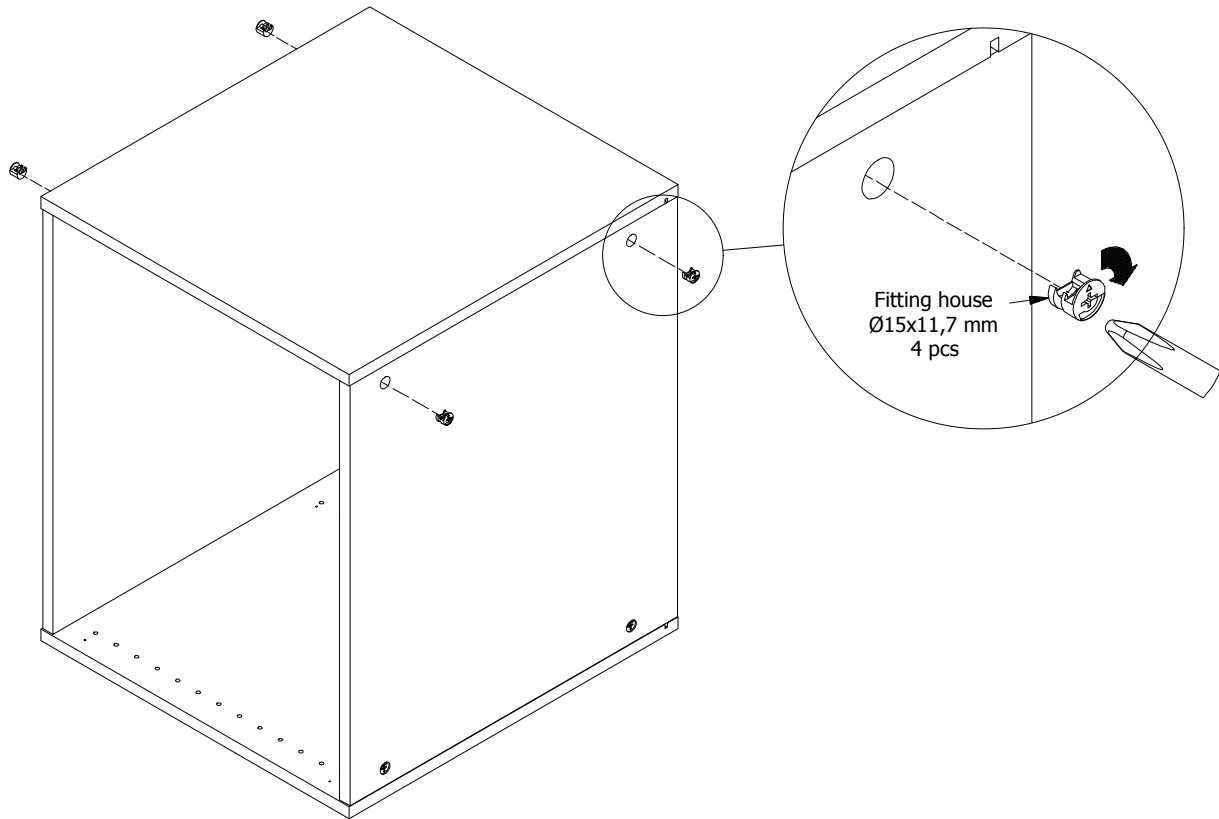


FIG. 6

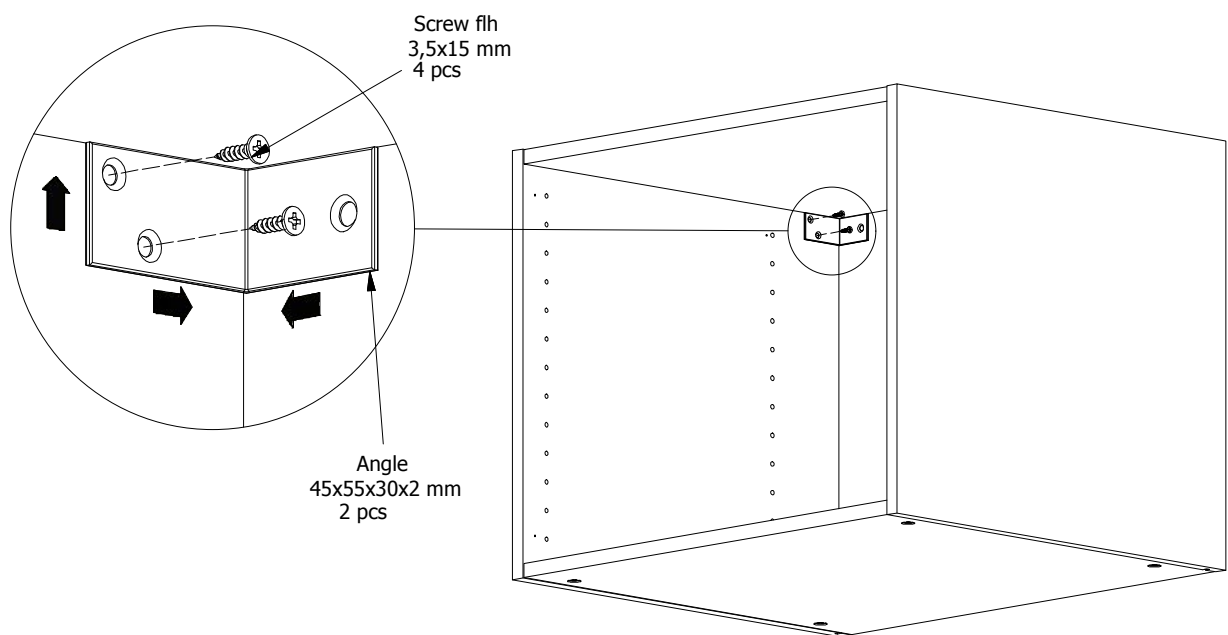


FIG. 7

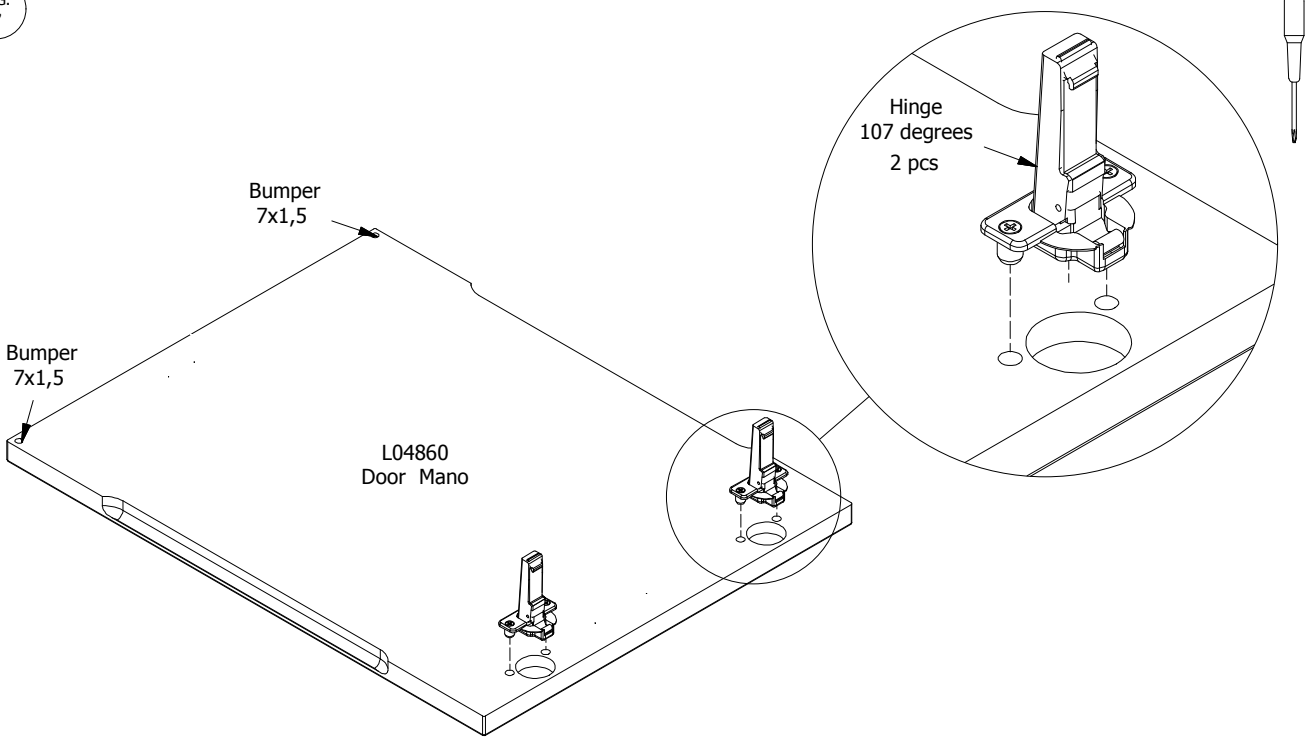


FIG. 8

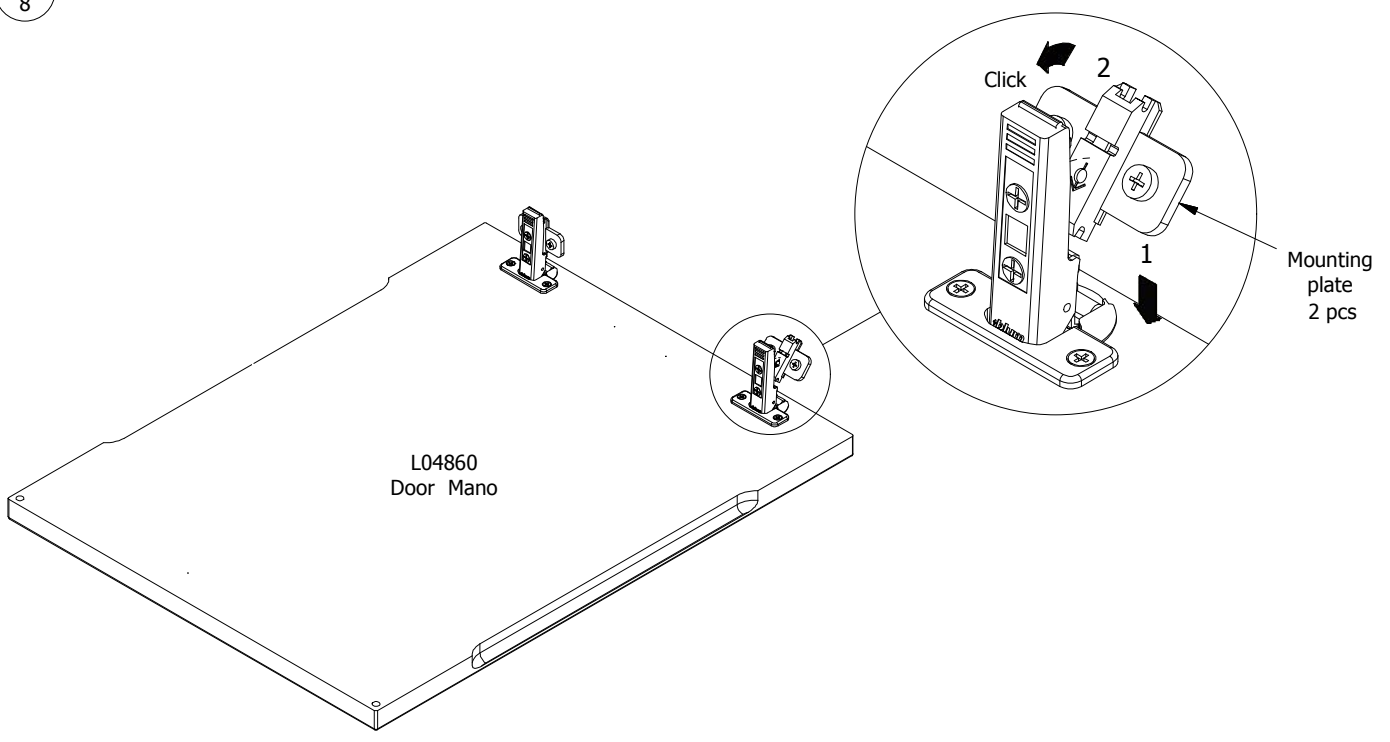


FIG. 9

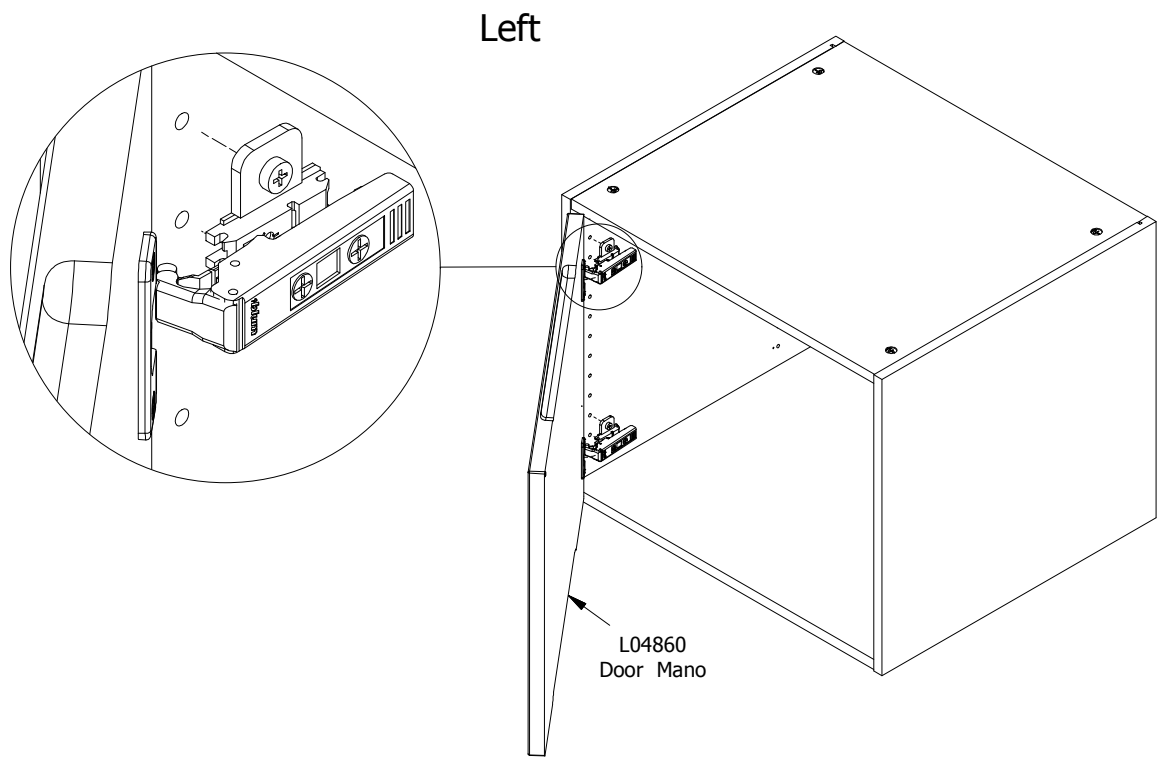
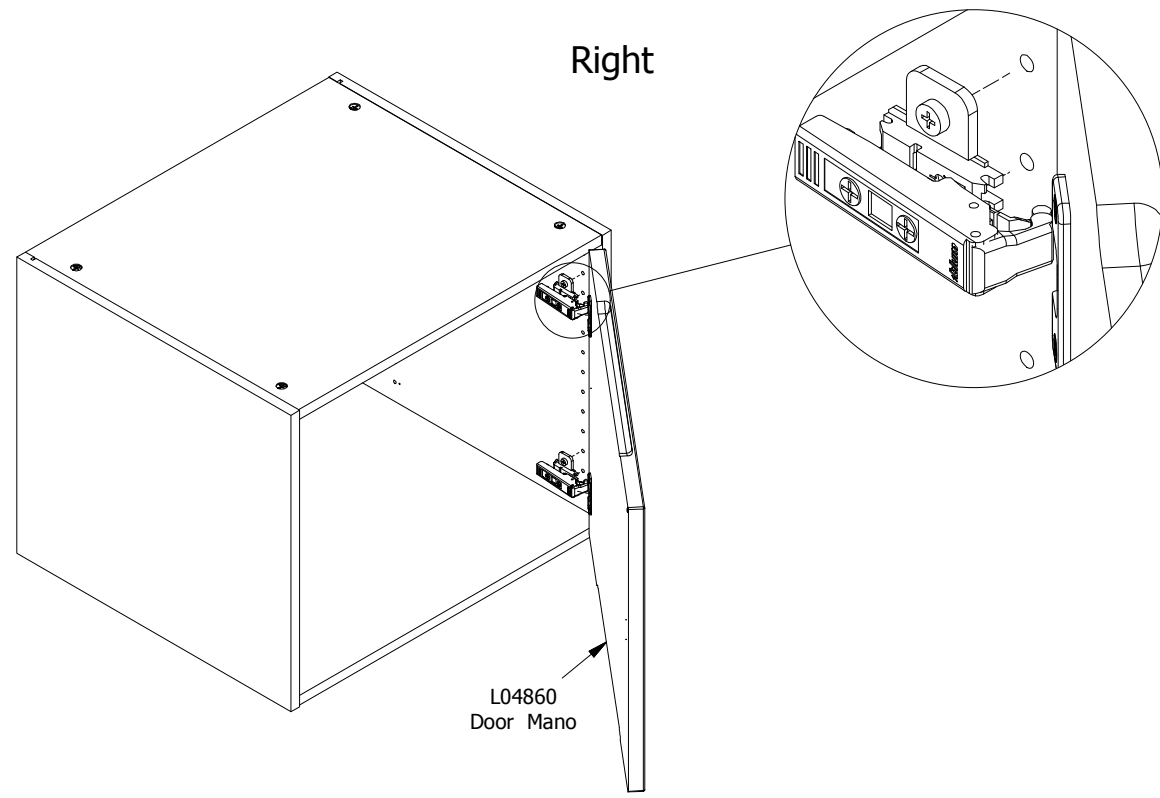


FIG. 10



---

## Adjustment

