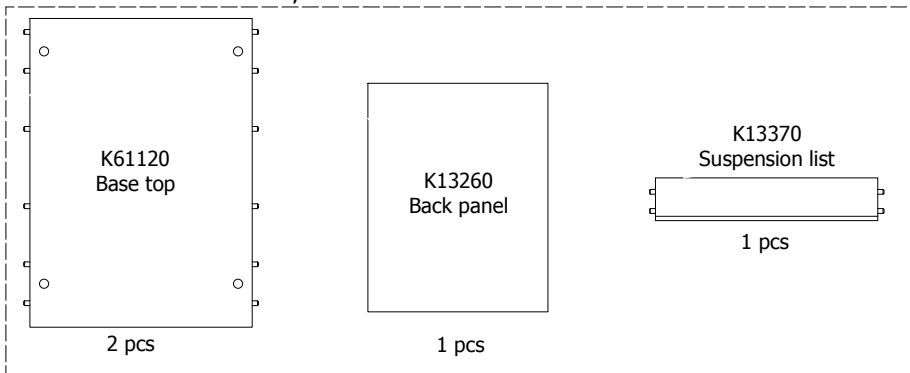


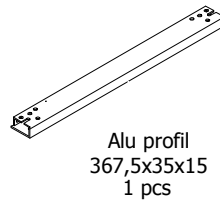
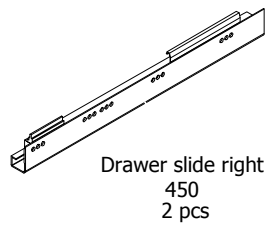
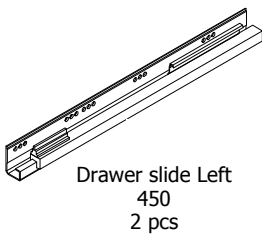
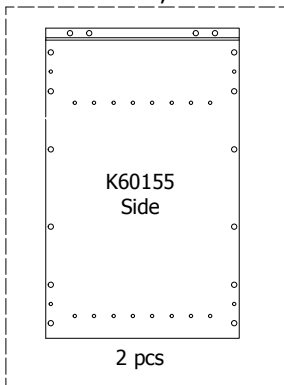
**kvik**

**MDBU3232,040**

**BU5140,000**



**US3251,000**



**BP00260-BP00250-BP01904**

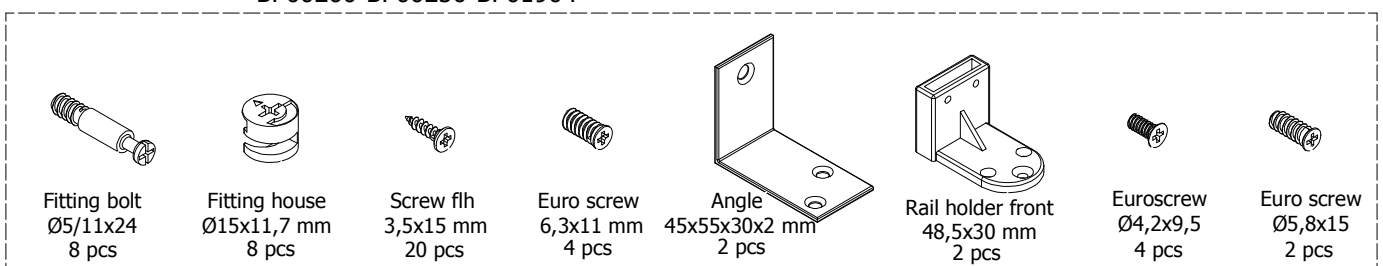


FIG. 1

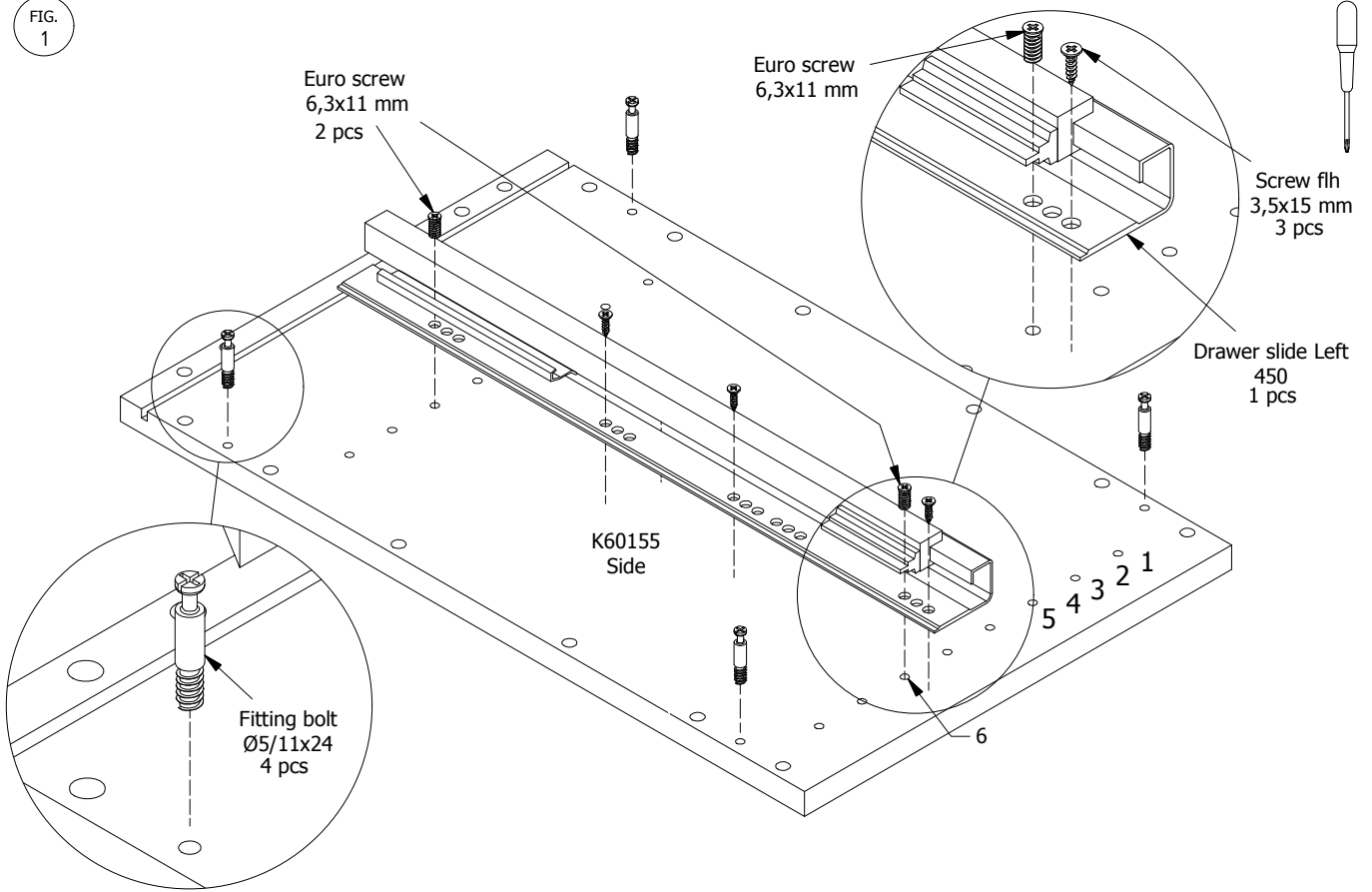


FIG. 2

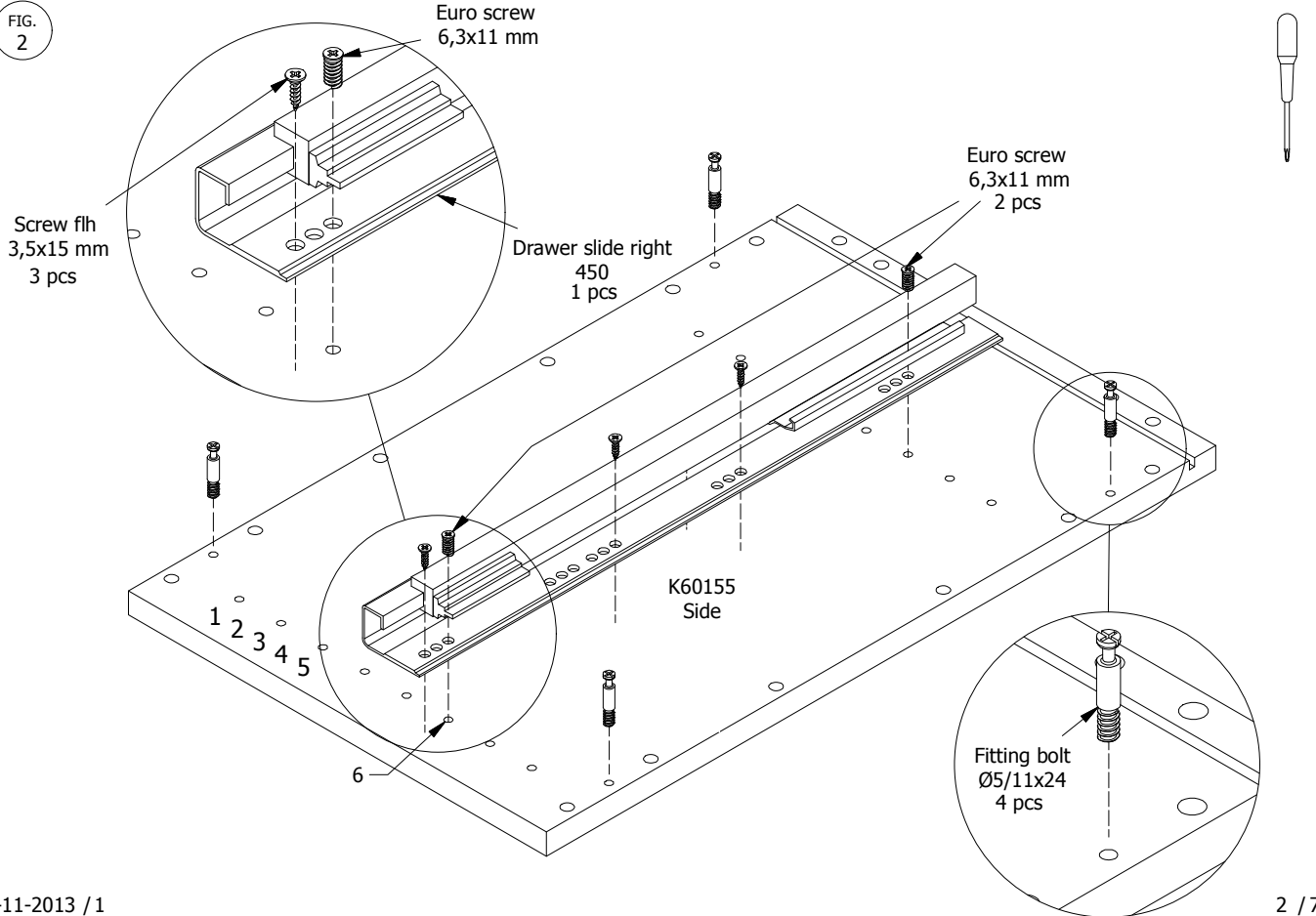


FIG. 3

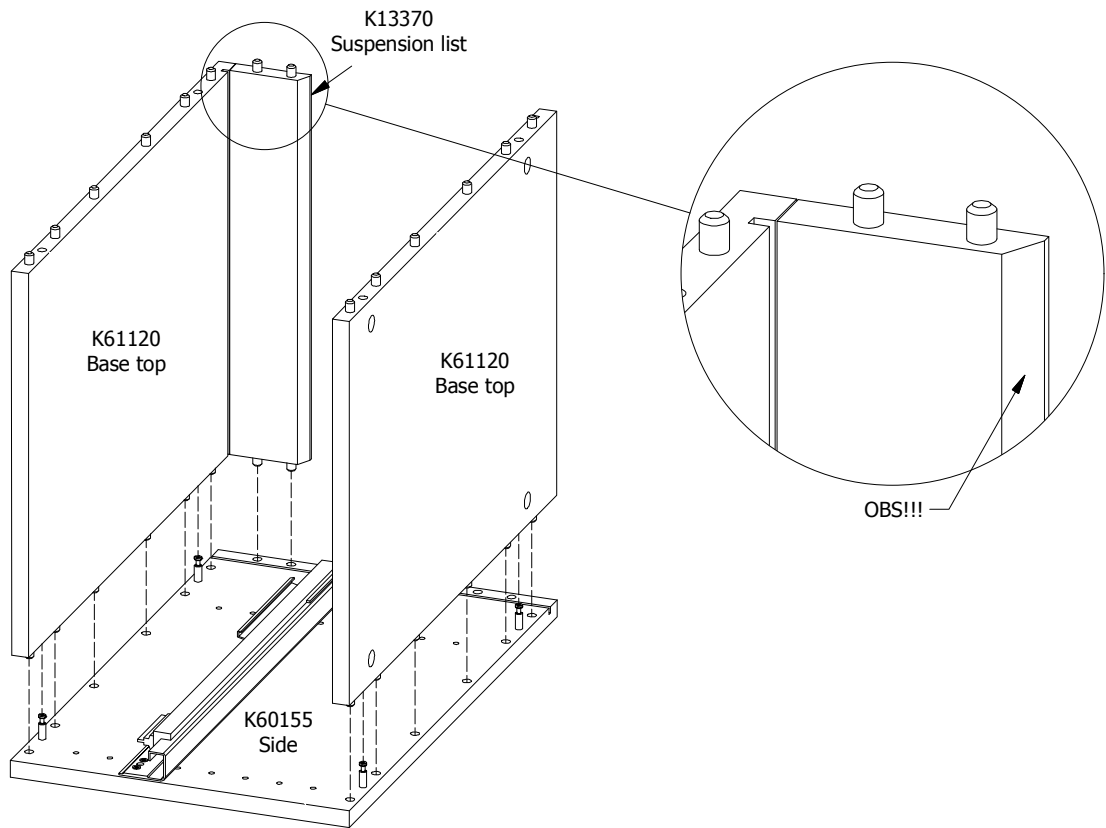


FIG. 4

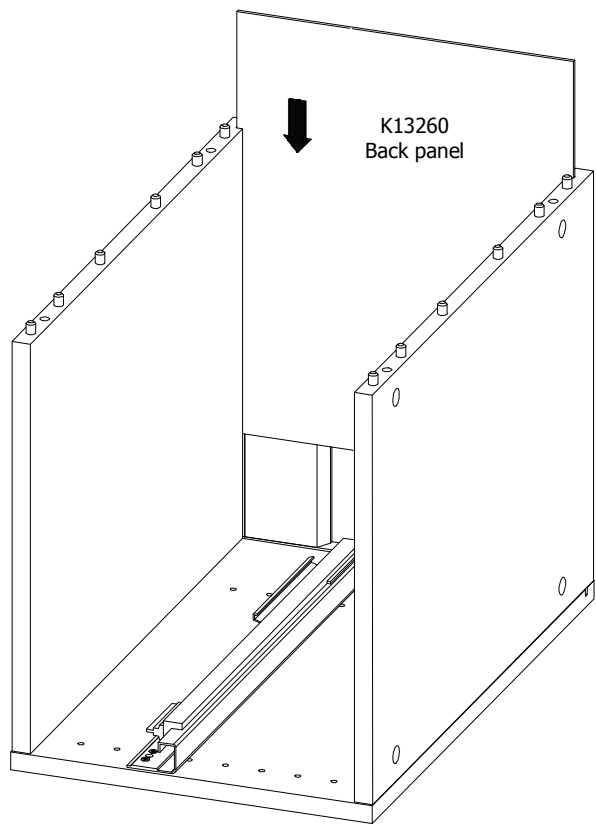


FIG. 5

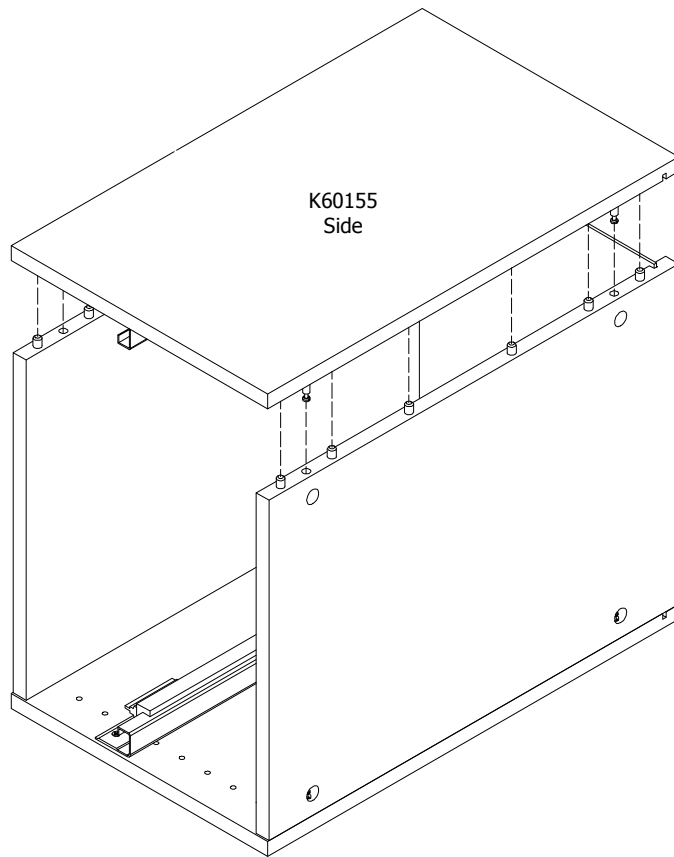


FIG. 6

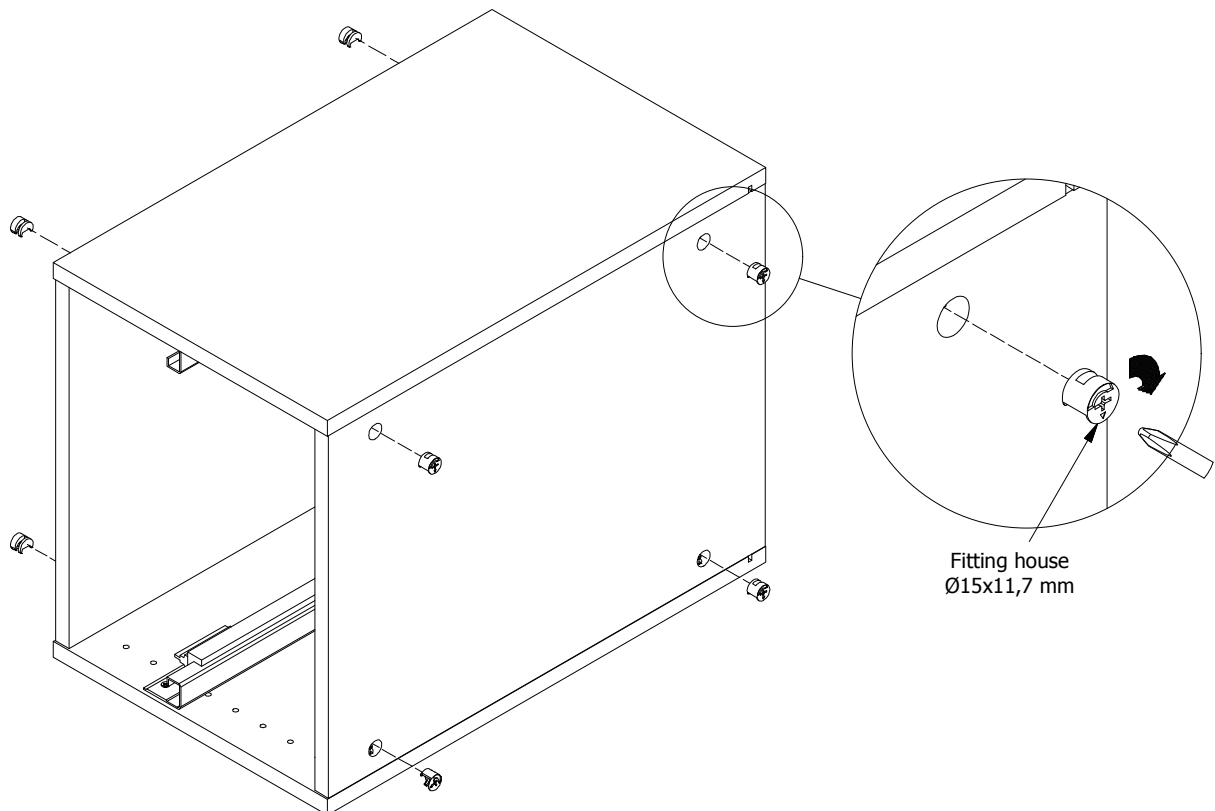
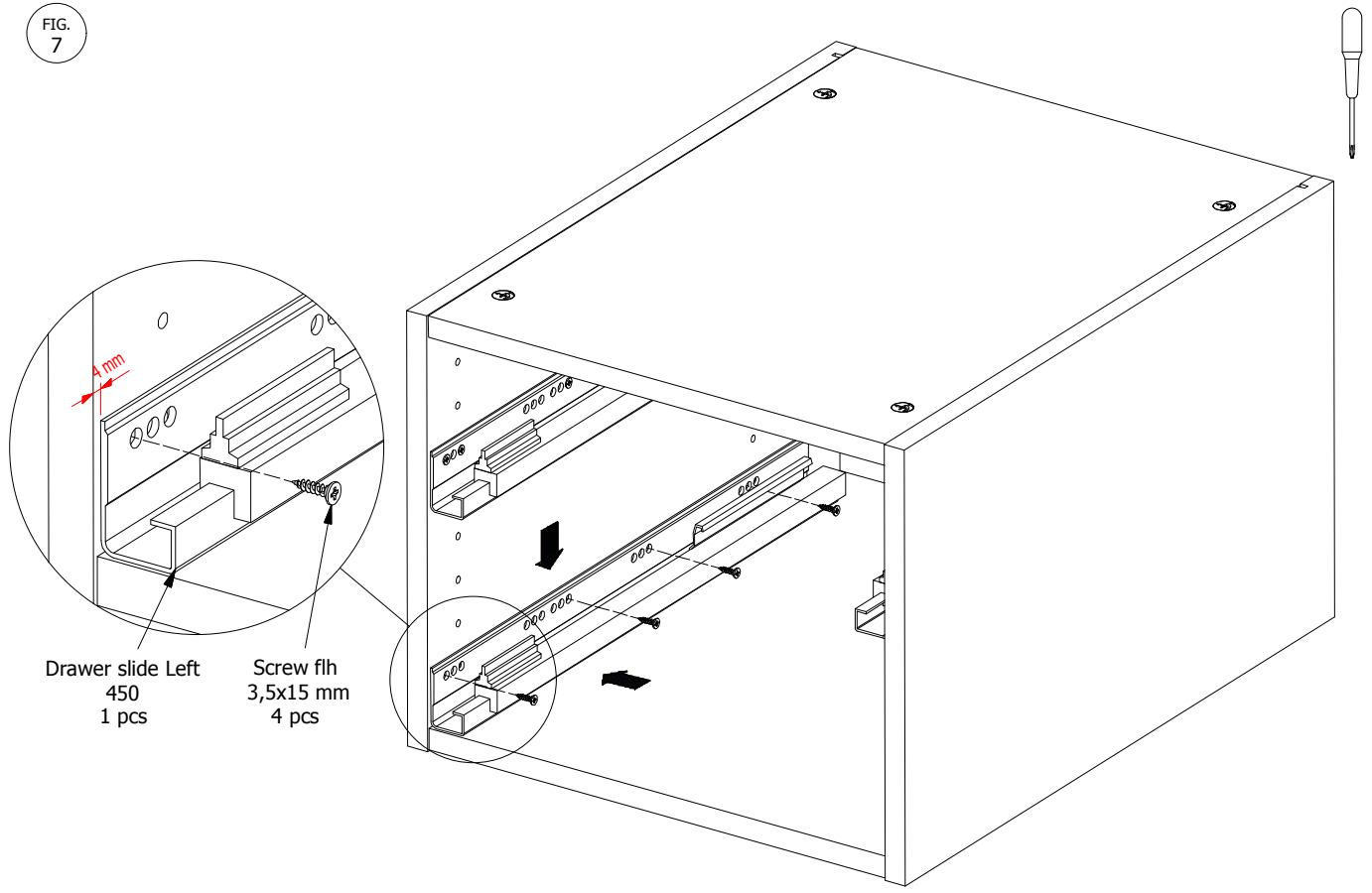


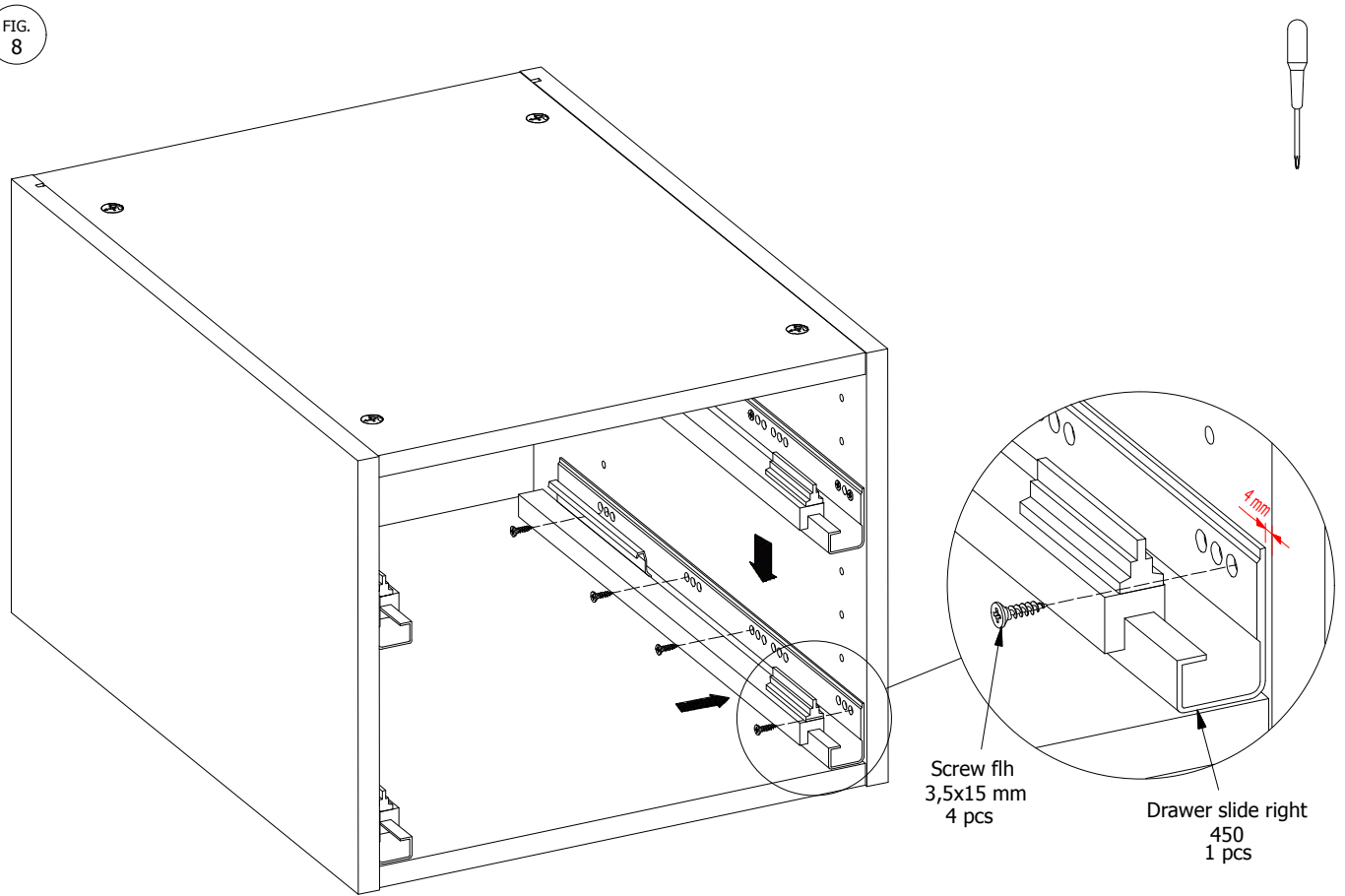
FIG. 7



Drawer slide Left  
450  
1 pcs

Screw flh  
3,5x15 mm  
4 pcs

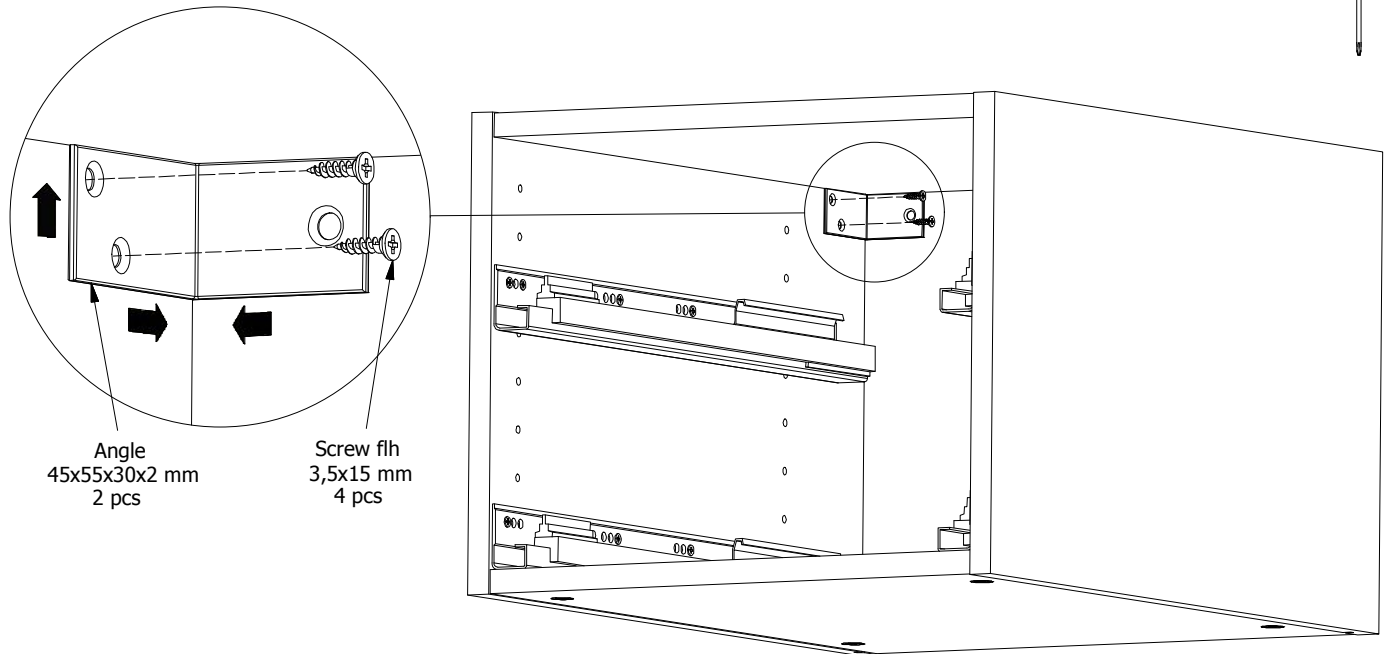
FIG. 8



Screw flh  
3,5x15 mm  
4 pcs

Drawer slide right  
450  
1 pcs

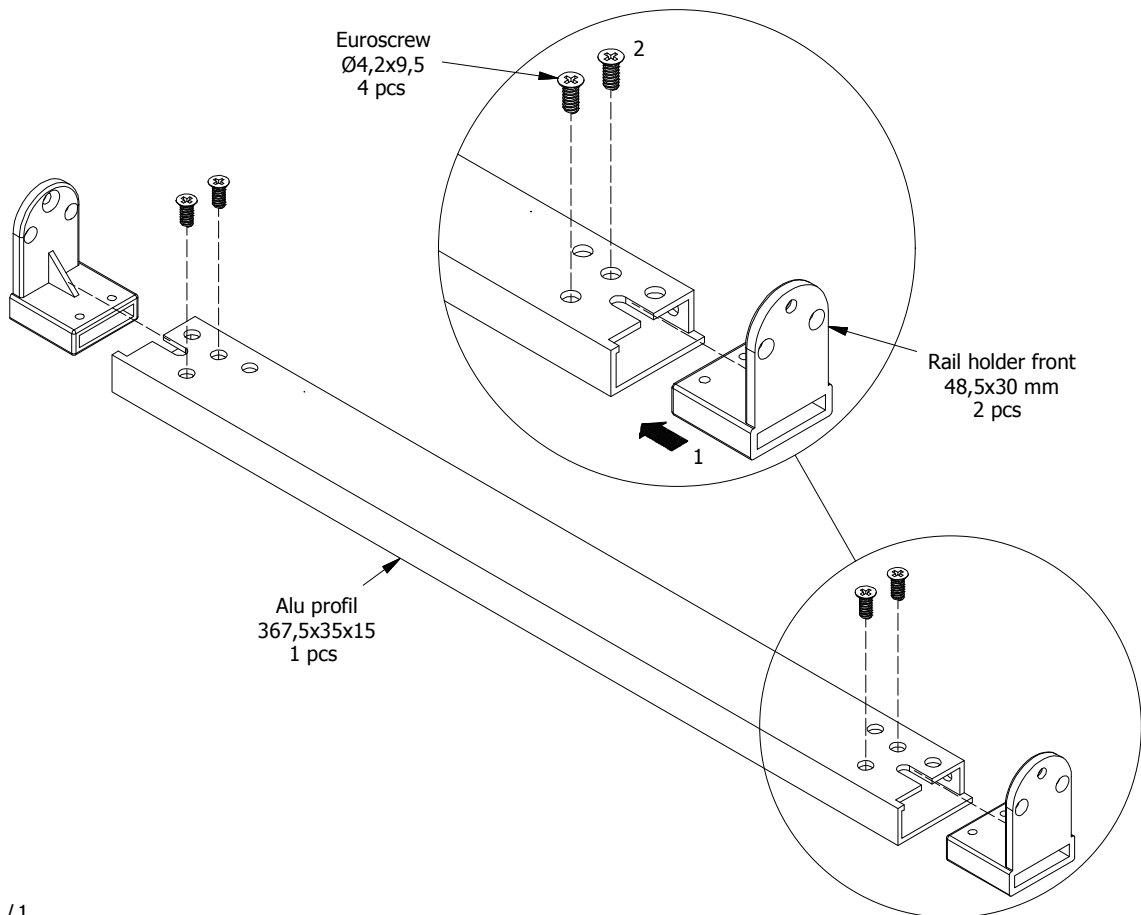
FIG. 9



Angle  
45x55x30x2 mm  
2 pcs

Screw flh  
3,5x15 mm  
4 pcs

FIG. 10



Euroscrew  
Ø4,2x9,5  
4 pcs

2

Rail holder front  
48,5x30 mm  
2 pcs

1

Alu profil  
367,5x35x15  
1 pcs

FIG.  
11

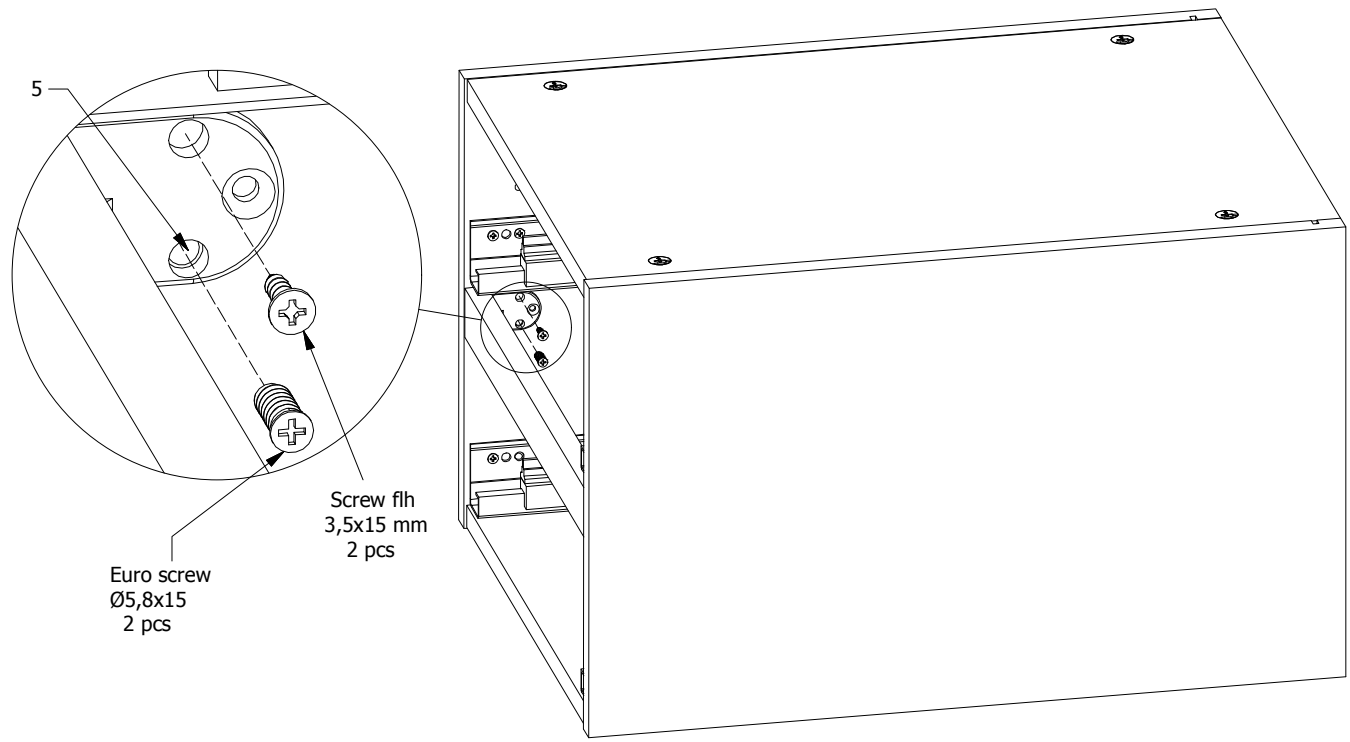


FIG.  
12

