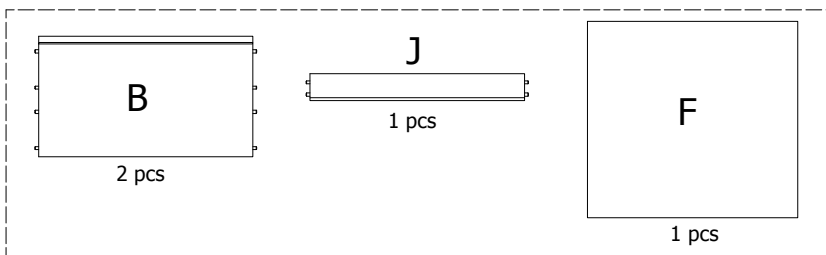


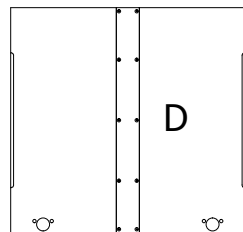
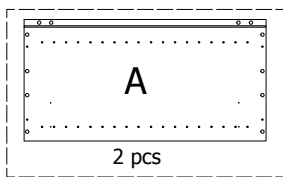
**kvik** 

**MDBS6415,060-040**

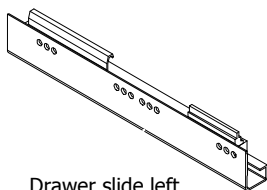
FR62,\*\*\*,000/176



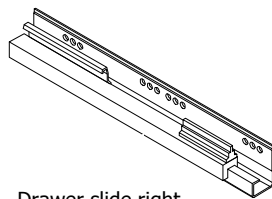
OS6432,000/KVIK



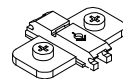
1 pcs



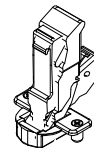
Drawer slide left  
300mm  
2 pcs



Drawer slide right  
300mm  
2 pcs

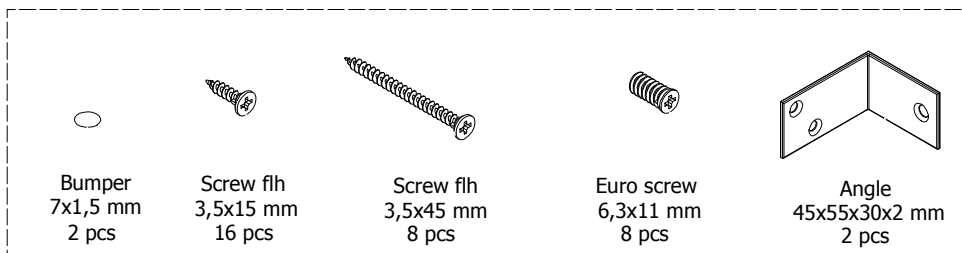


BP00417  
Mounting plate  
2 pcs



K15355  
Hinge 155 degrees  
2 pcs

BP00001-BP00205-BP00250



Bumper  
7x1,5 mm  
2 pcs

Screw flh  
3,5x15 mm  
16 pcs

Screw flh  
3,5x45 mm  
8 pcs

Euro screw  
6,3x11 mm  
8 pcs

Angle  
45x55x30x2 mm  
2 pcs

FIG. 1

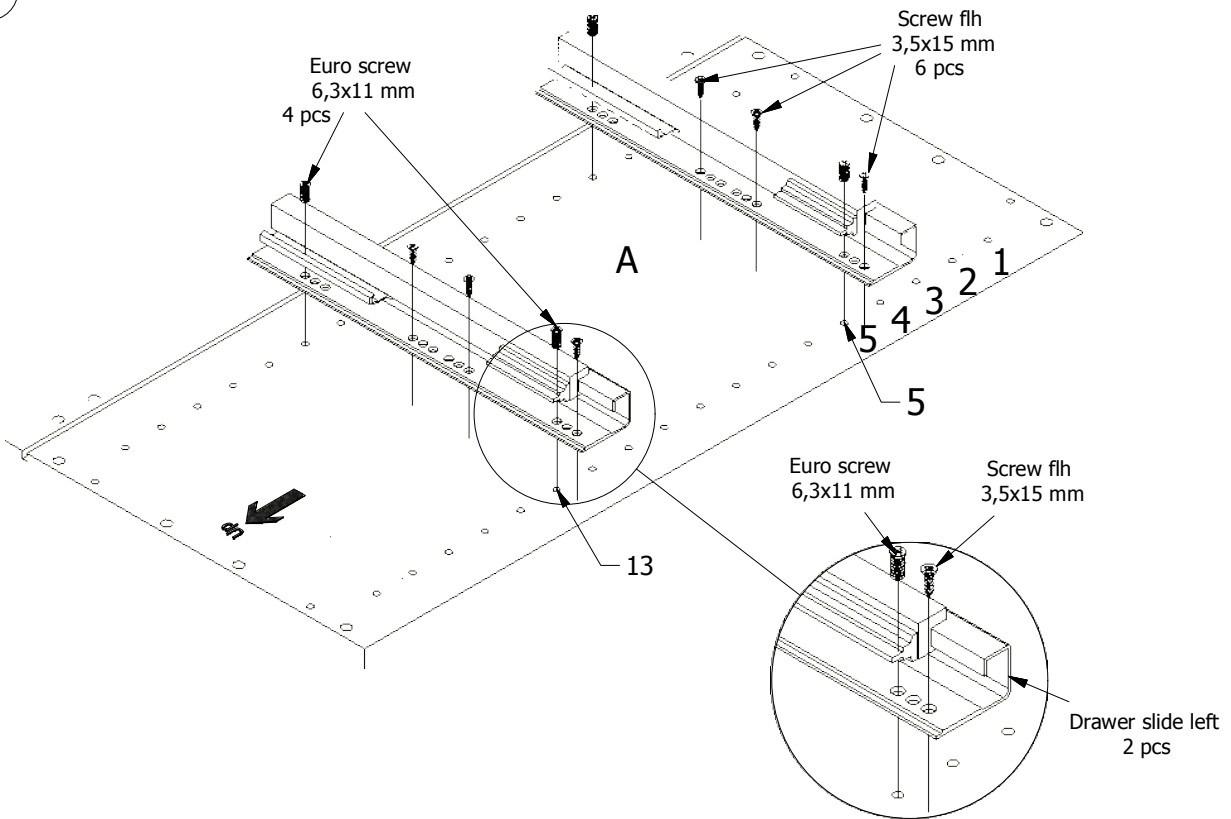


FIG. 2

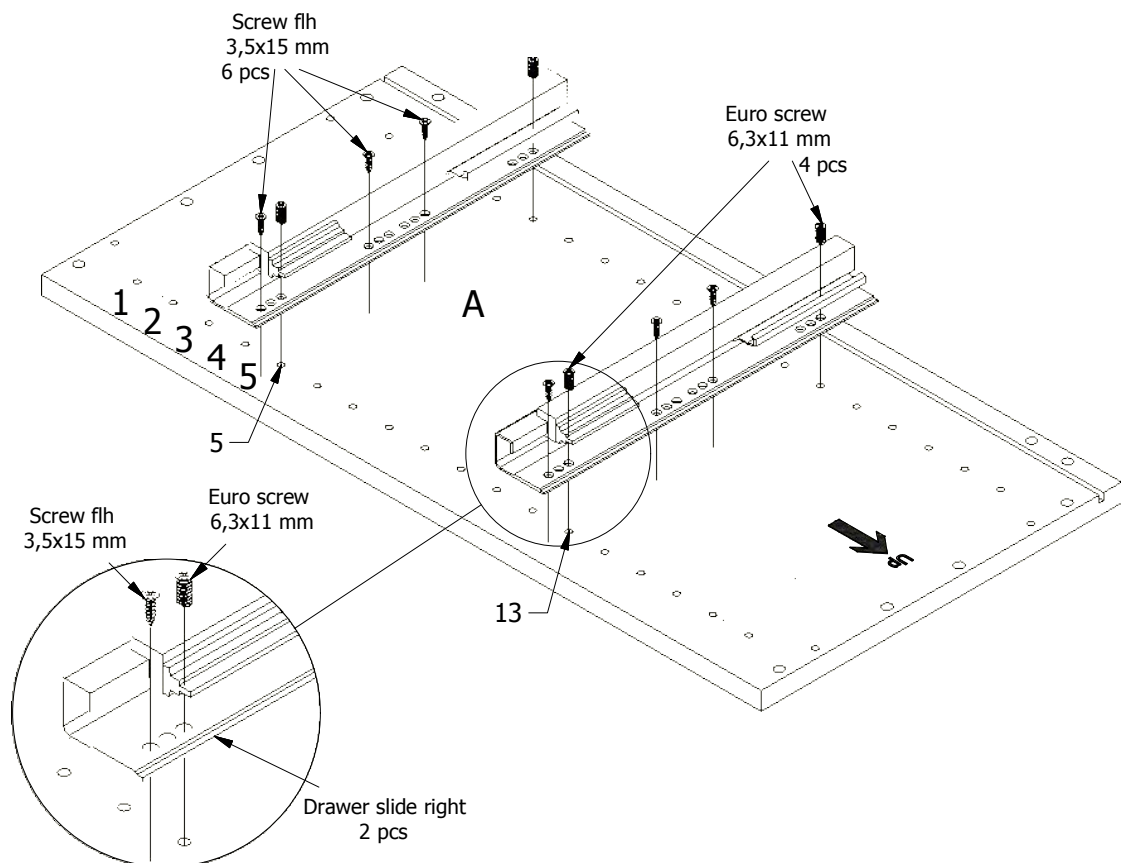


FIG. 3

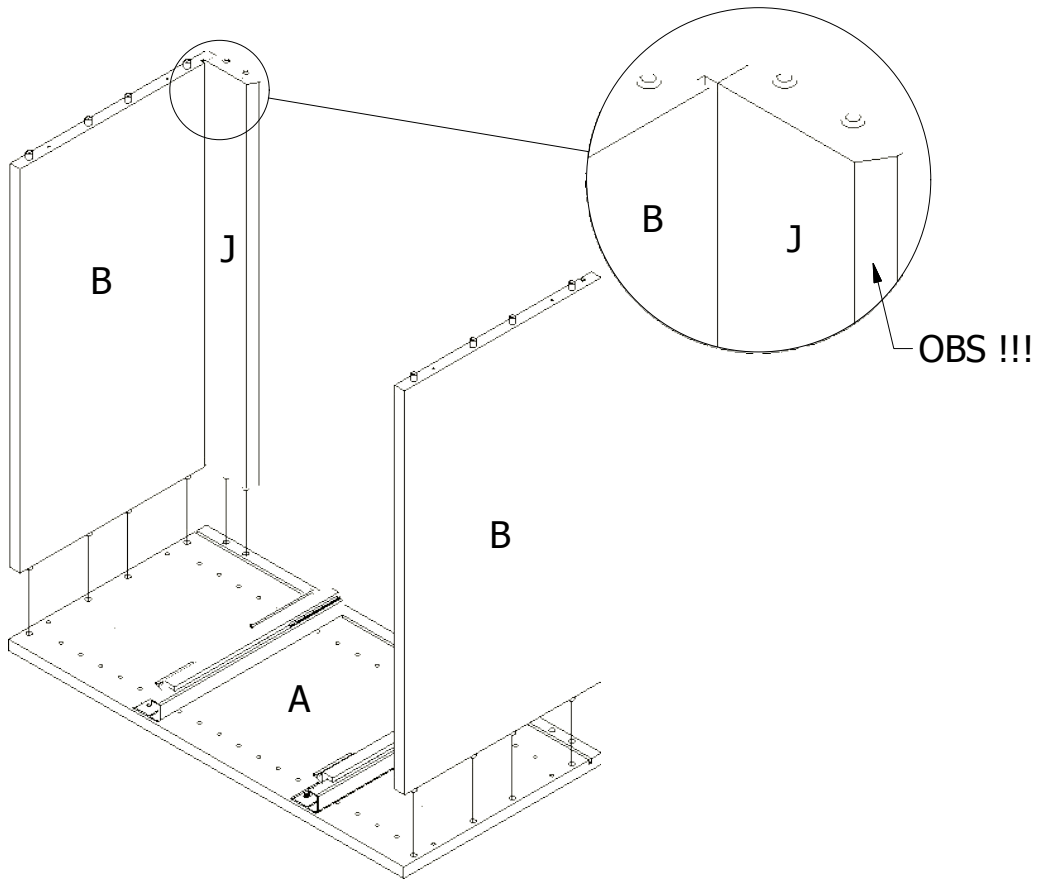


FIG. 4

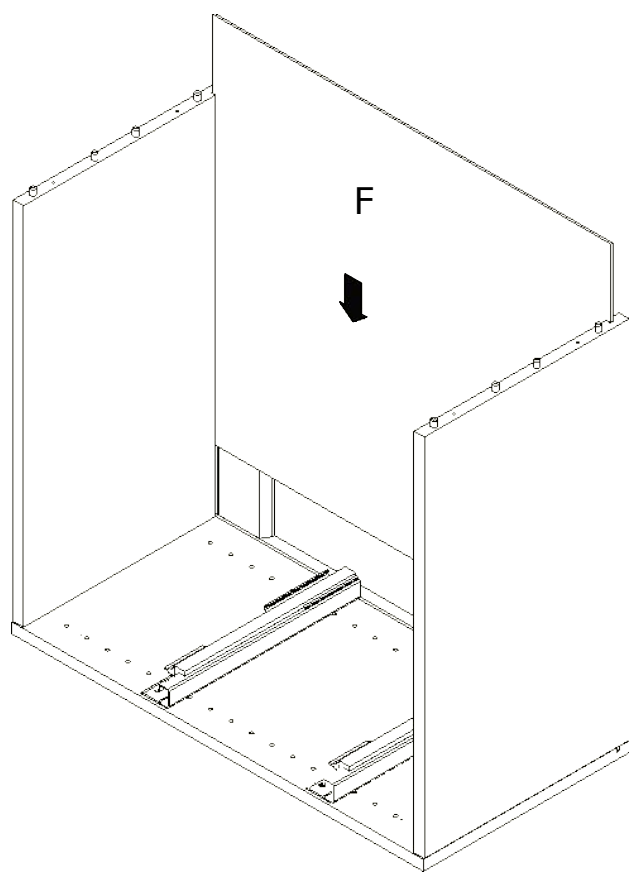


FIG. 5

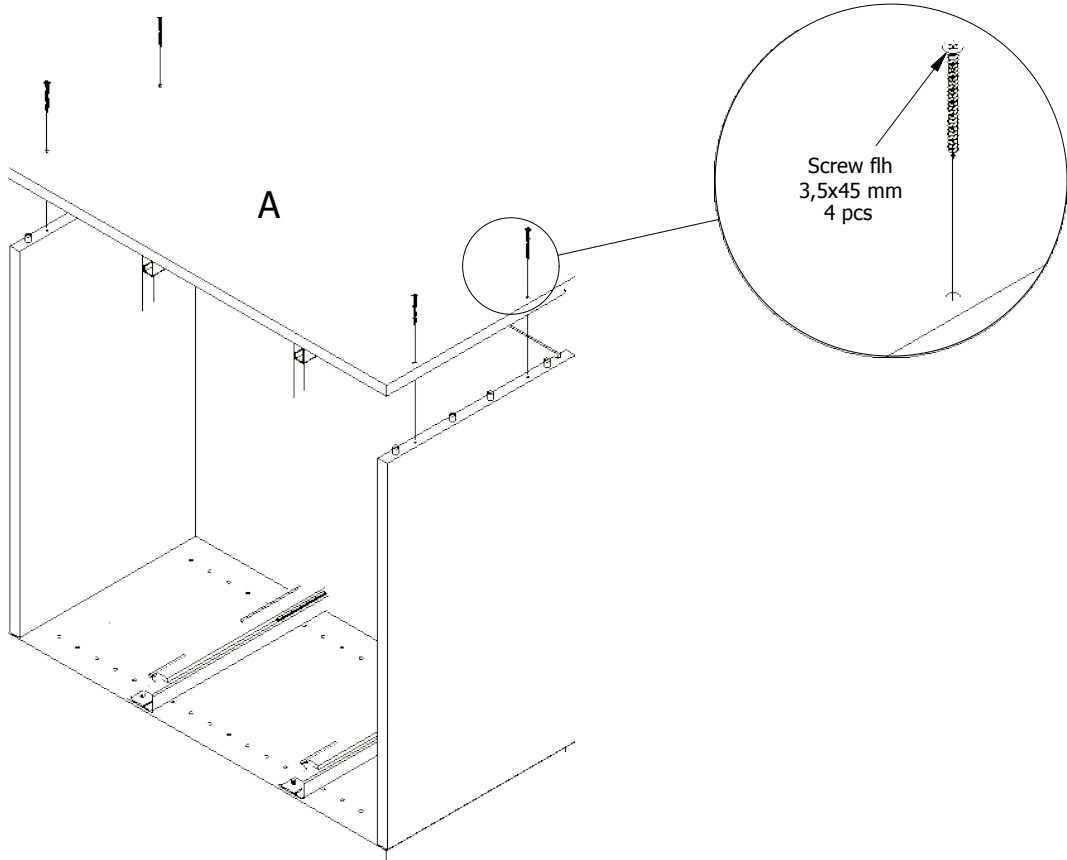


FIG. 6

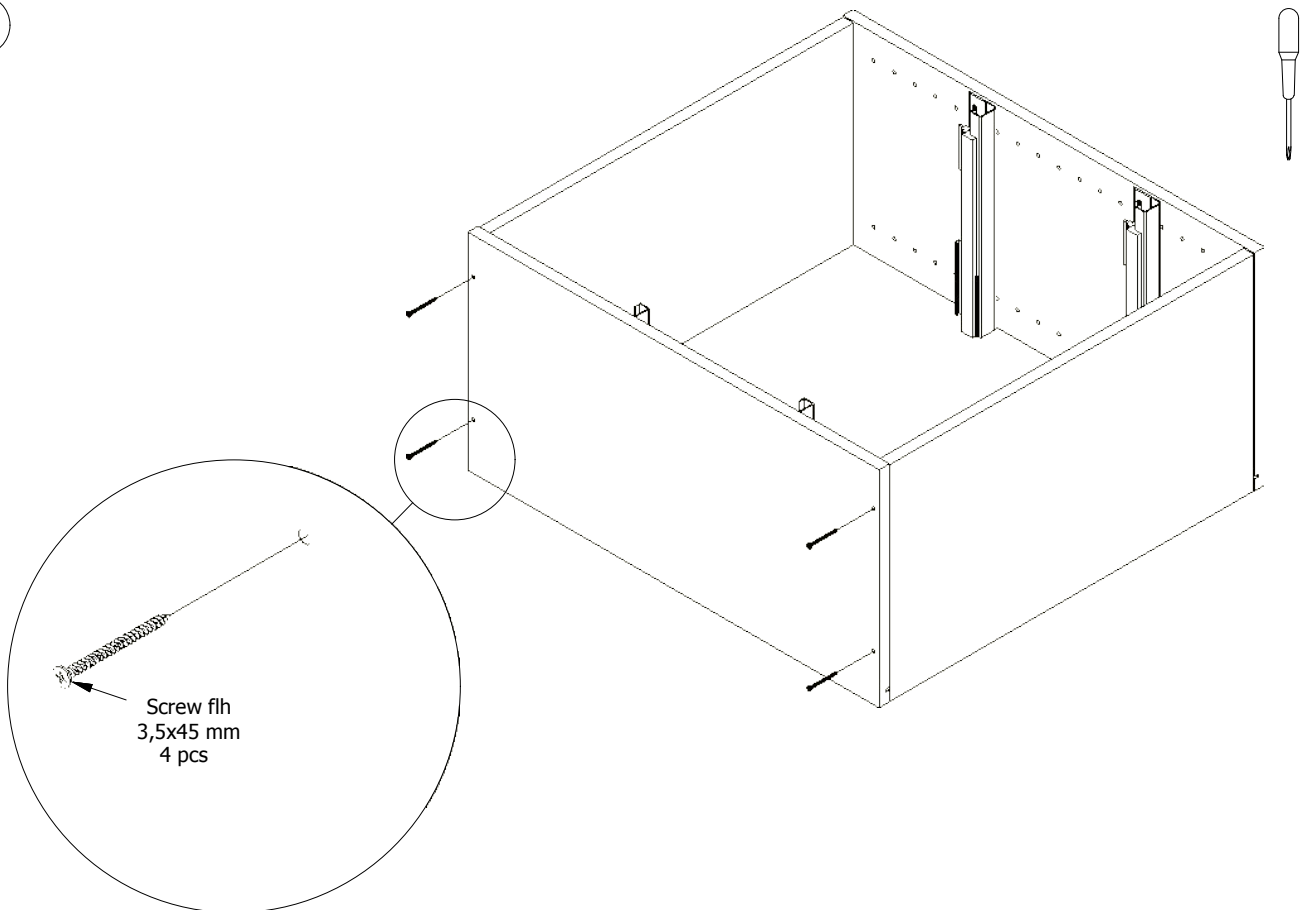


FIG. 7

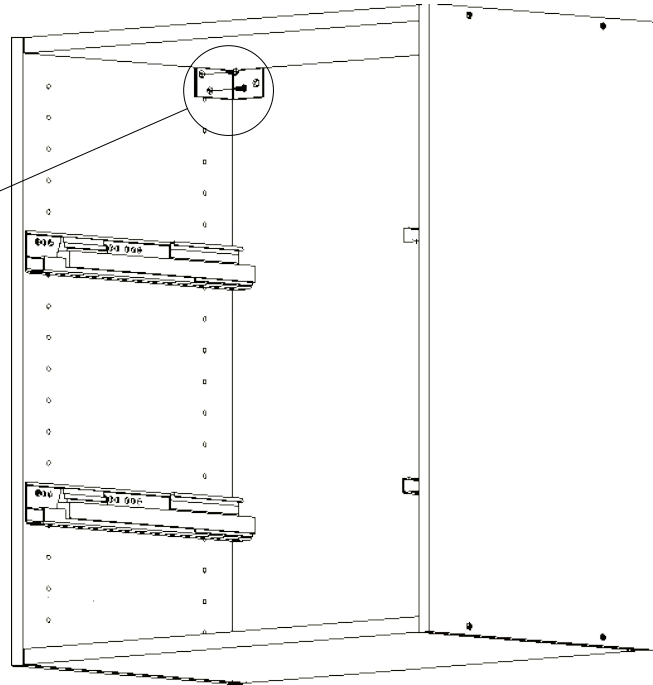
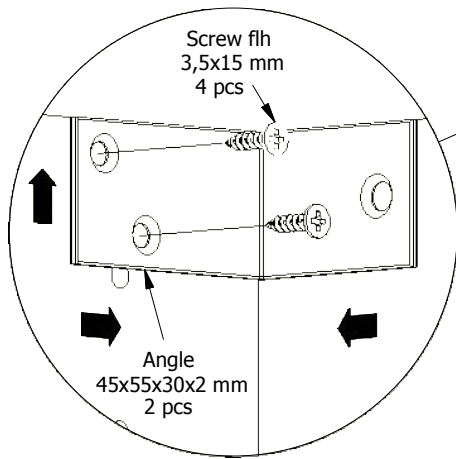


FIG. 8

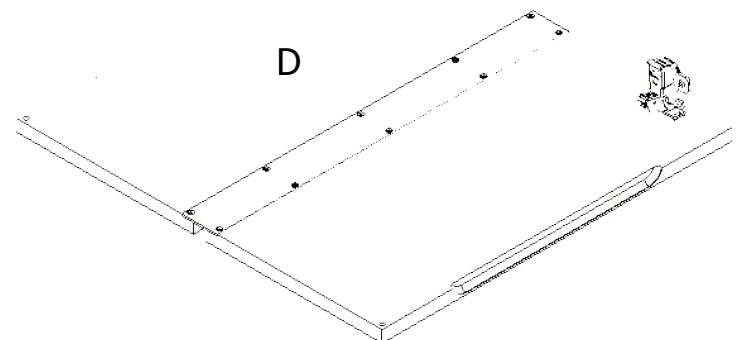
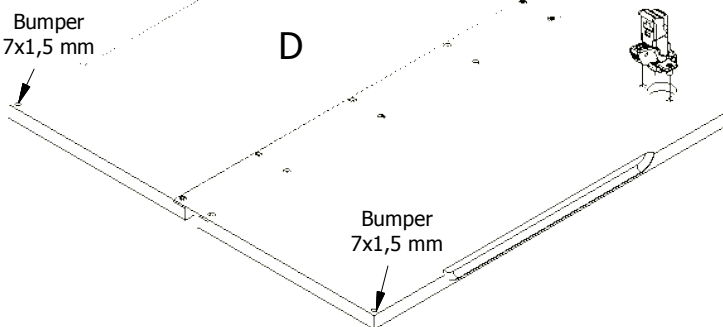
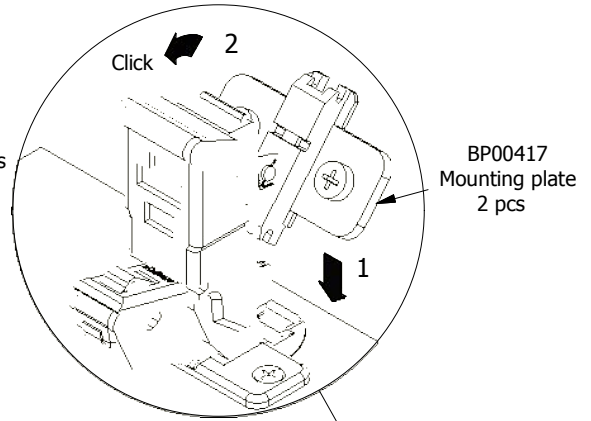
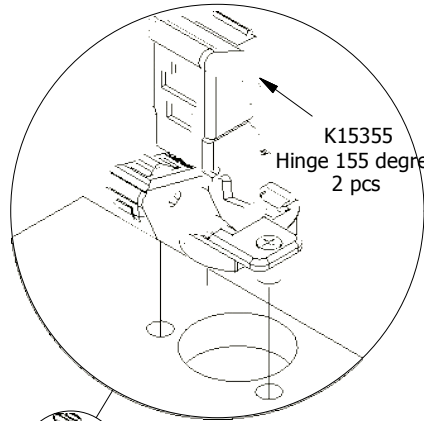


FIG. 9

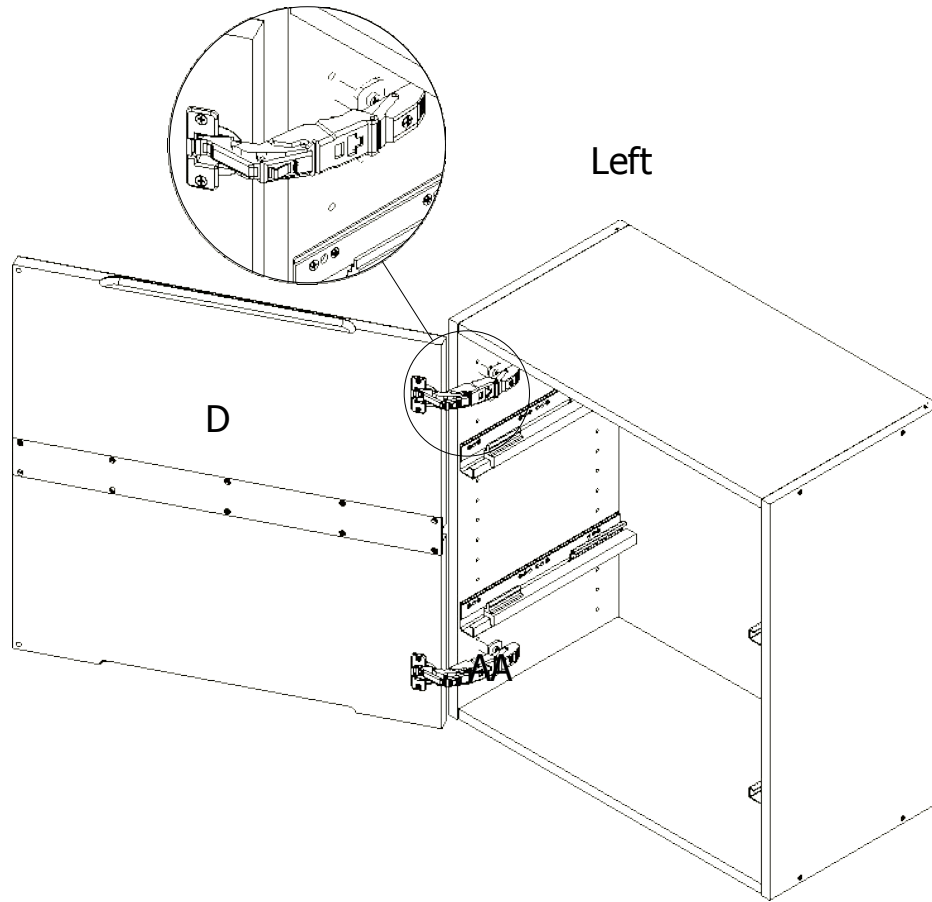


FIG. 10

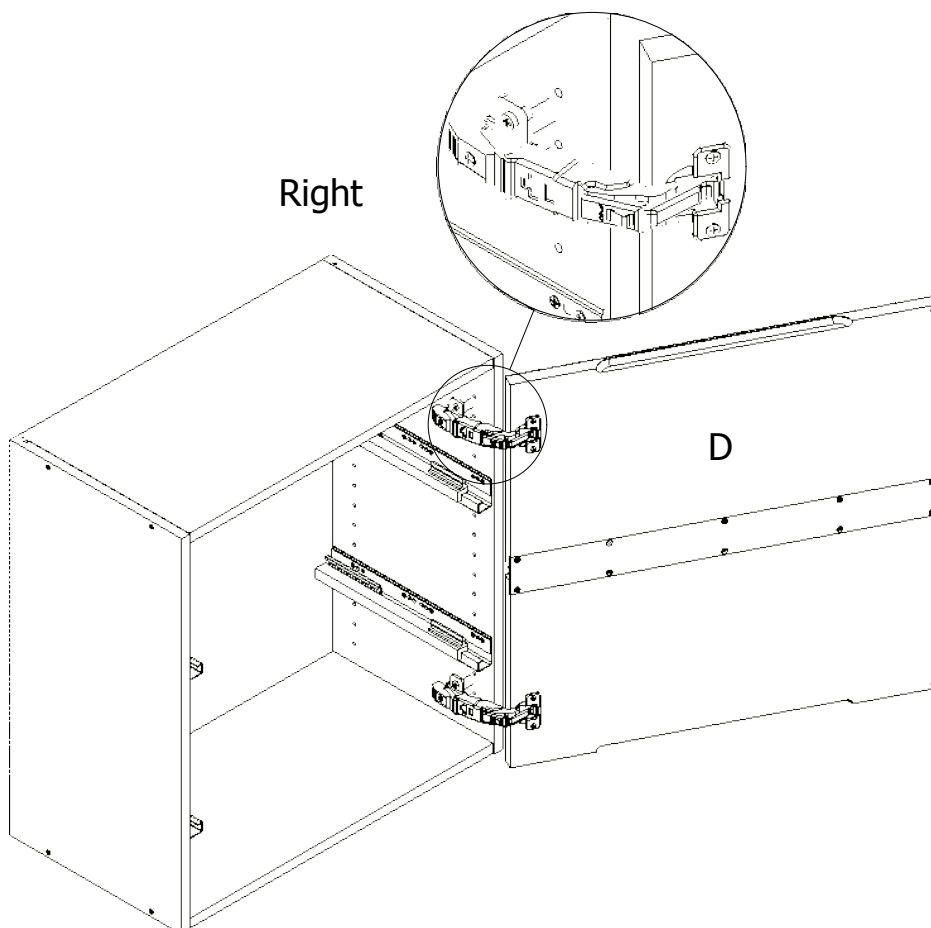
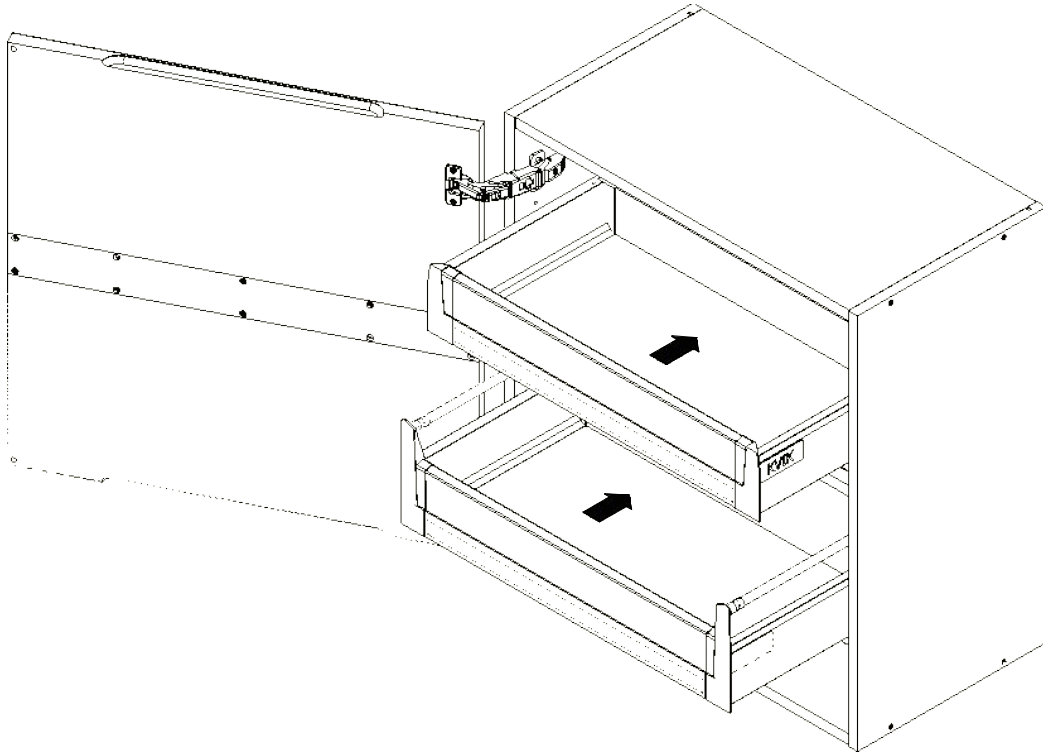


FIG.  
11



## Adjustment

