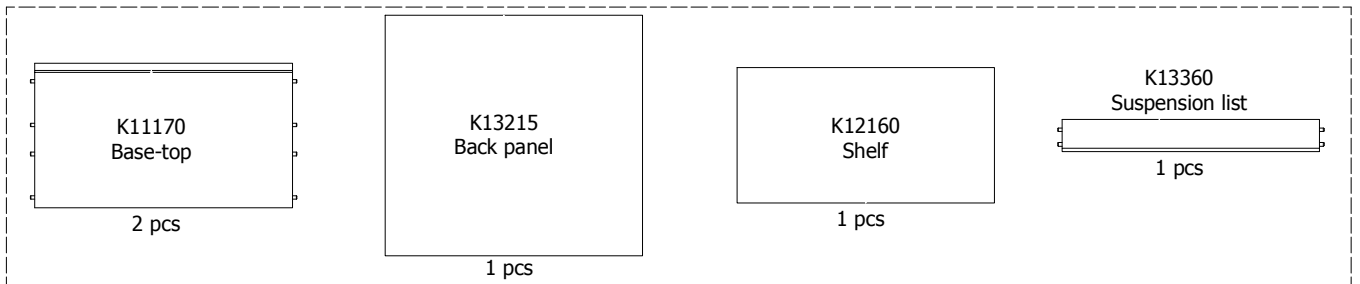


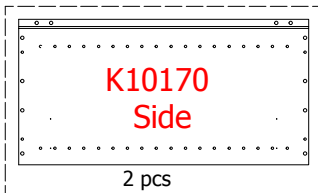
kvik

MDBS6410,060

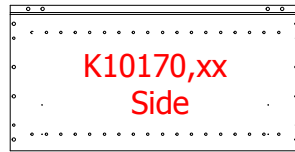
FR62,060,000



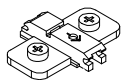
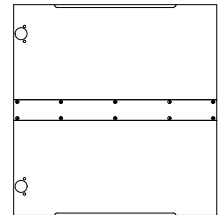
OS6432,000



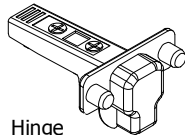
OR



LU06465
Door Mano



Mounting
plate
2 pcs



Hinge
107 degrees
2 pcs

BP00250-BP00205 OR BP00250-BP00028

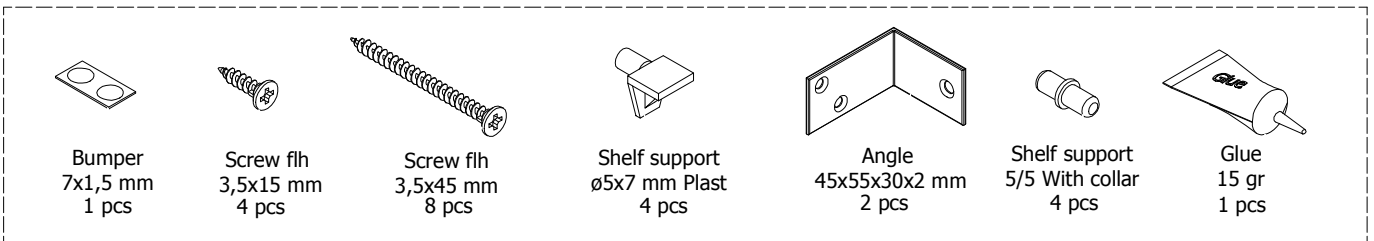


FIG. 1

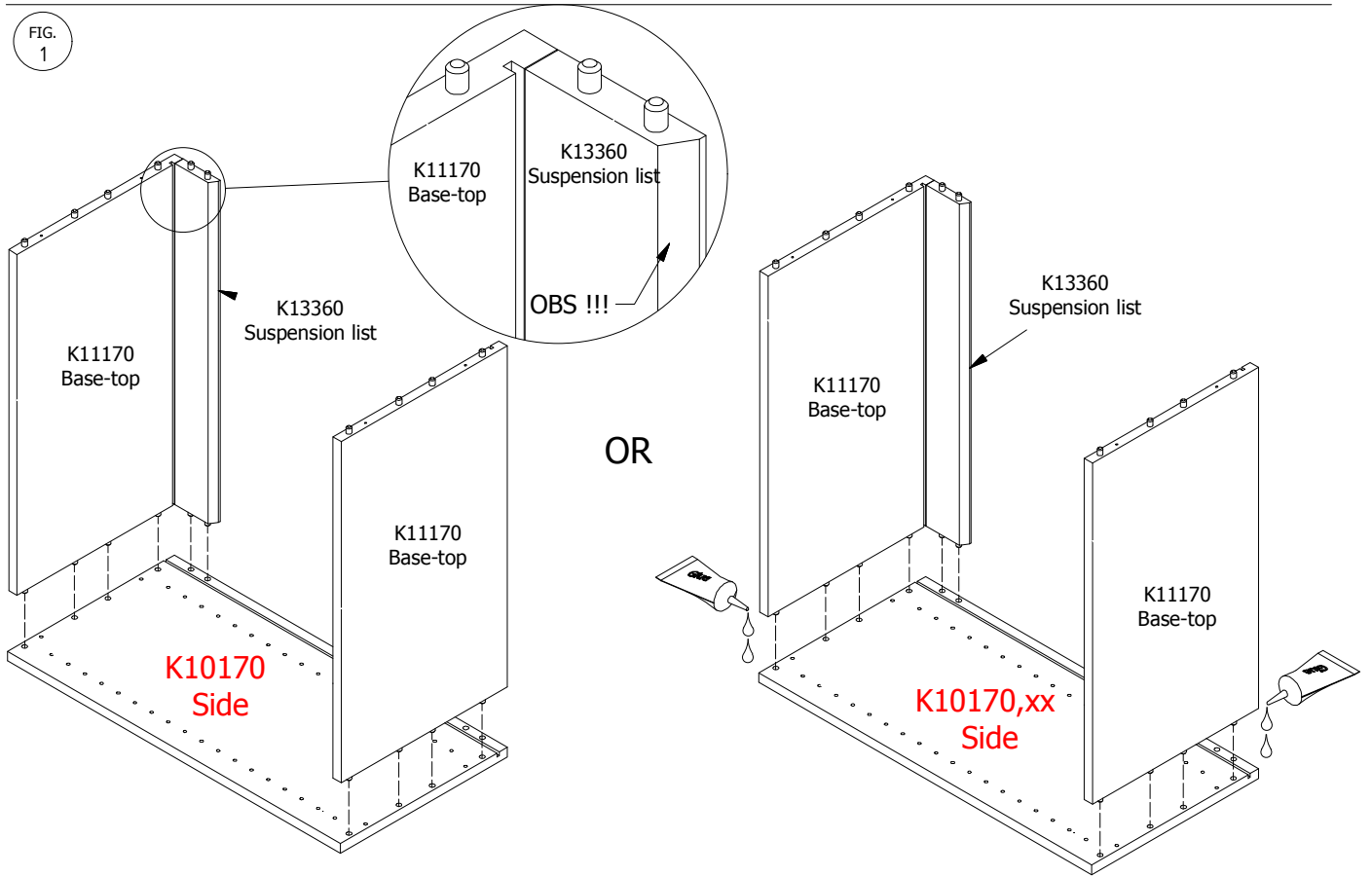


FIG. 2

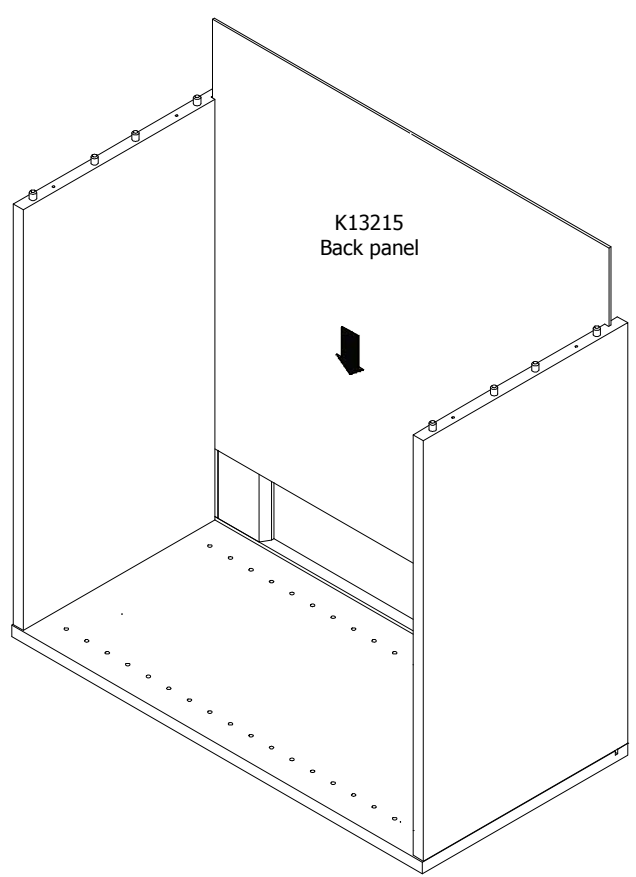


FIG. 3

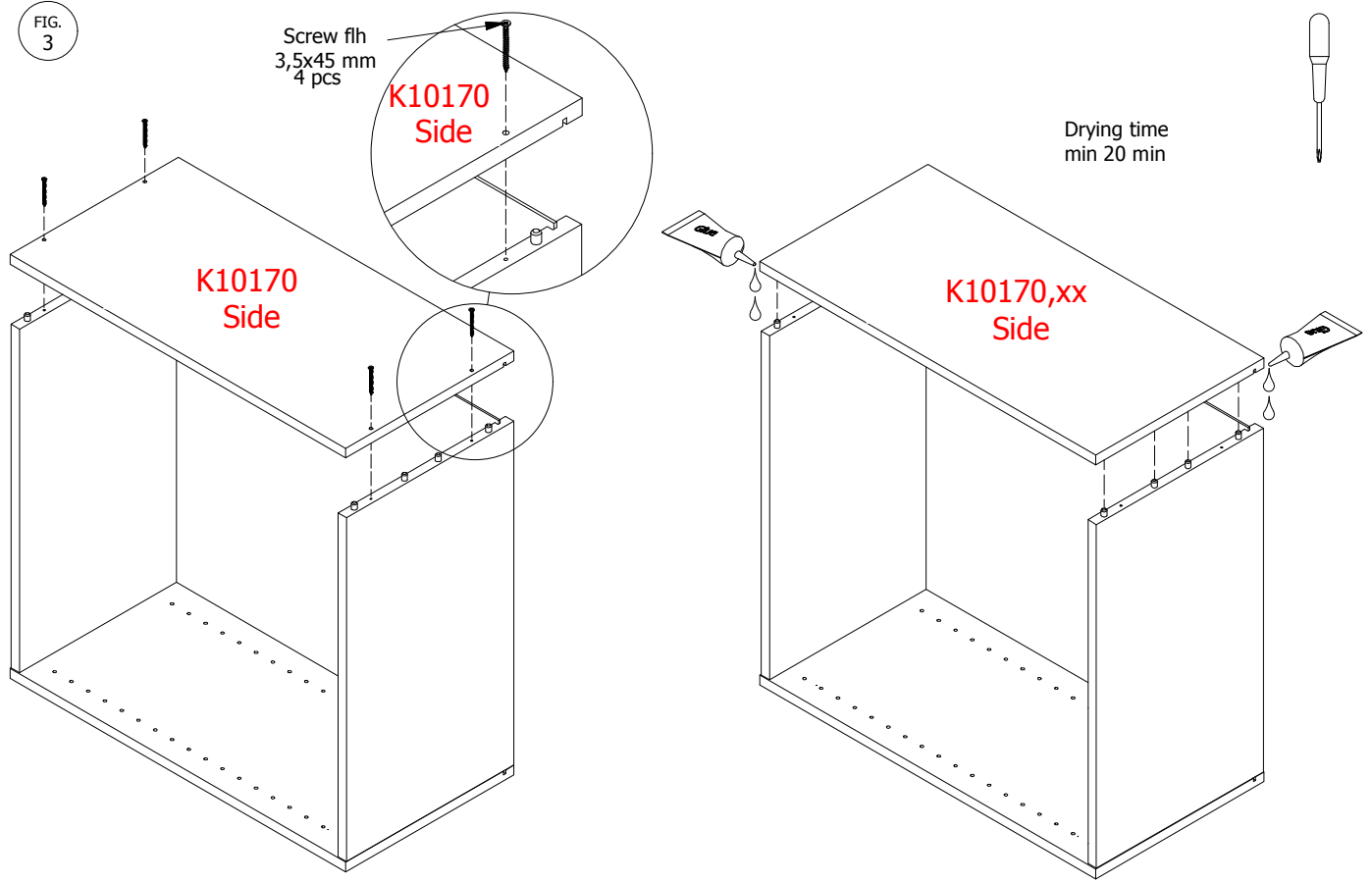


FIG. 4

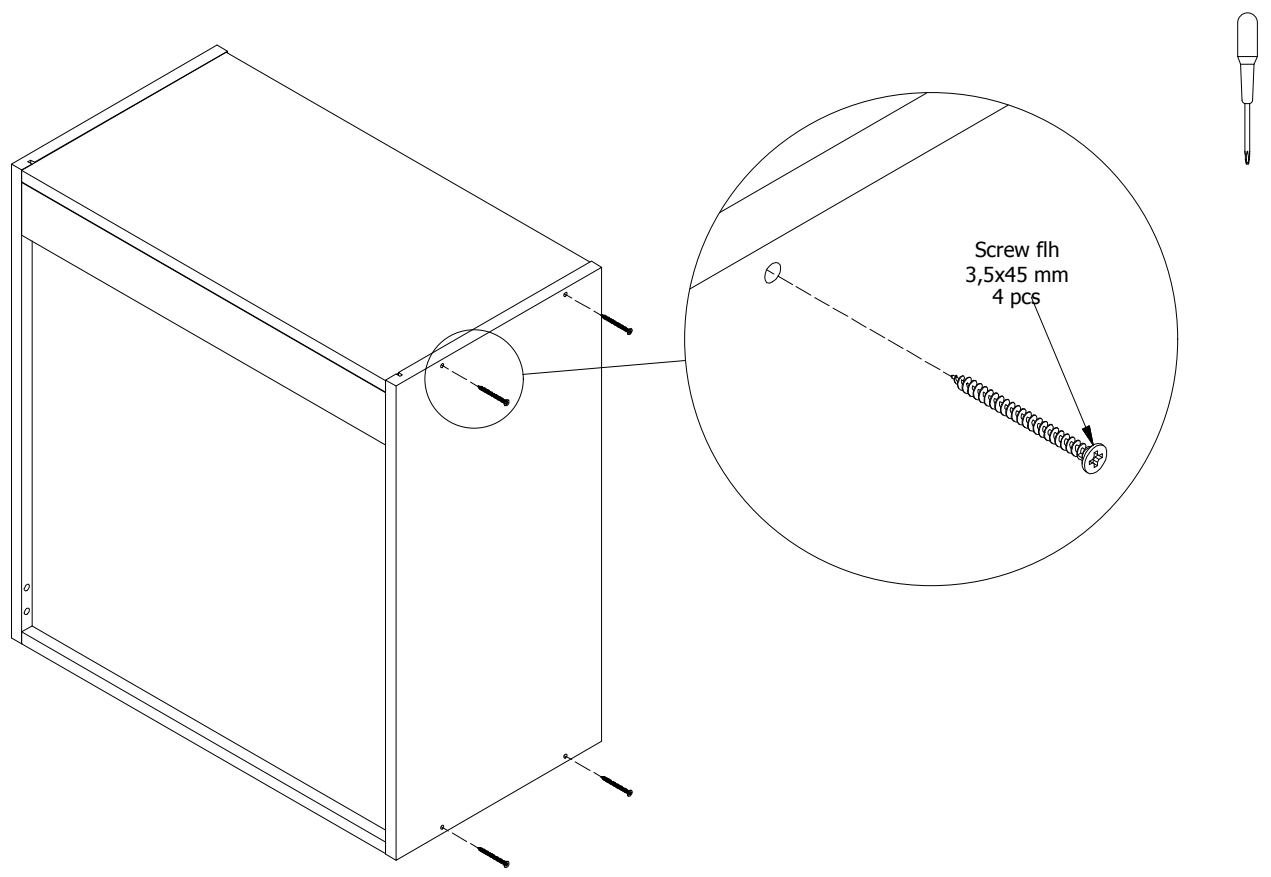


FIG. 5

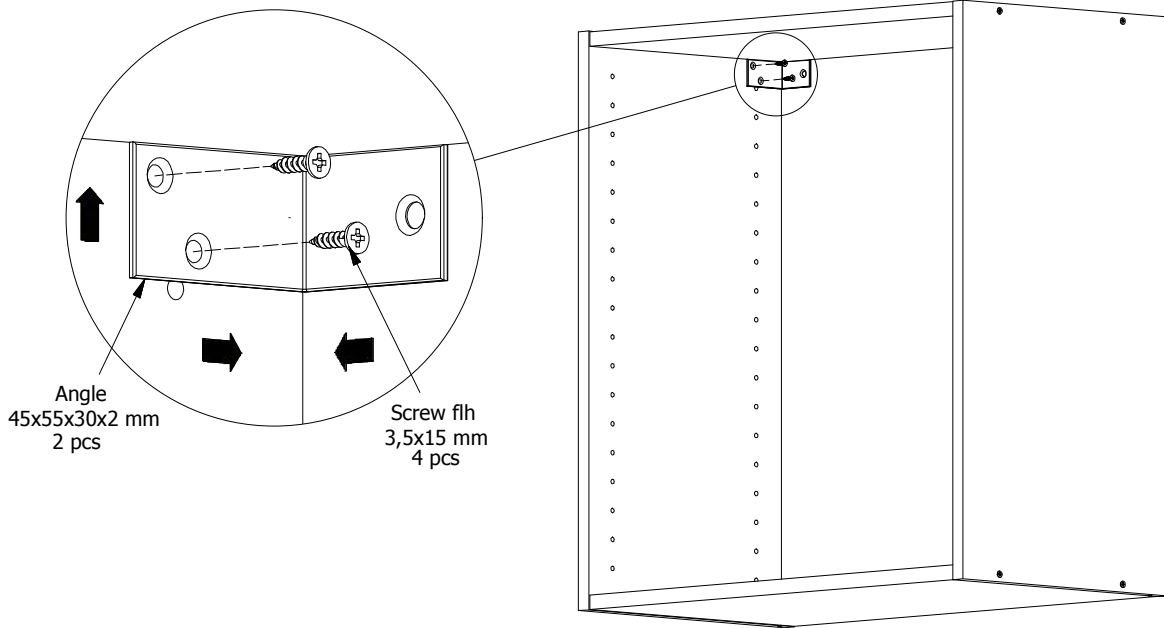


FIG. 6

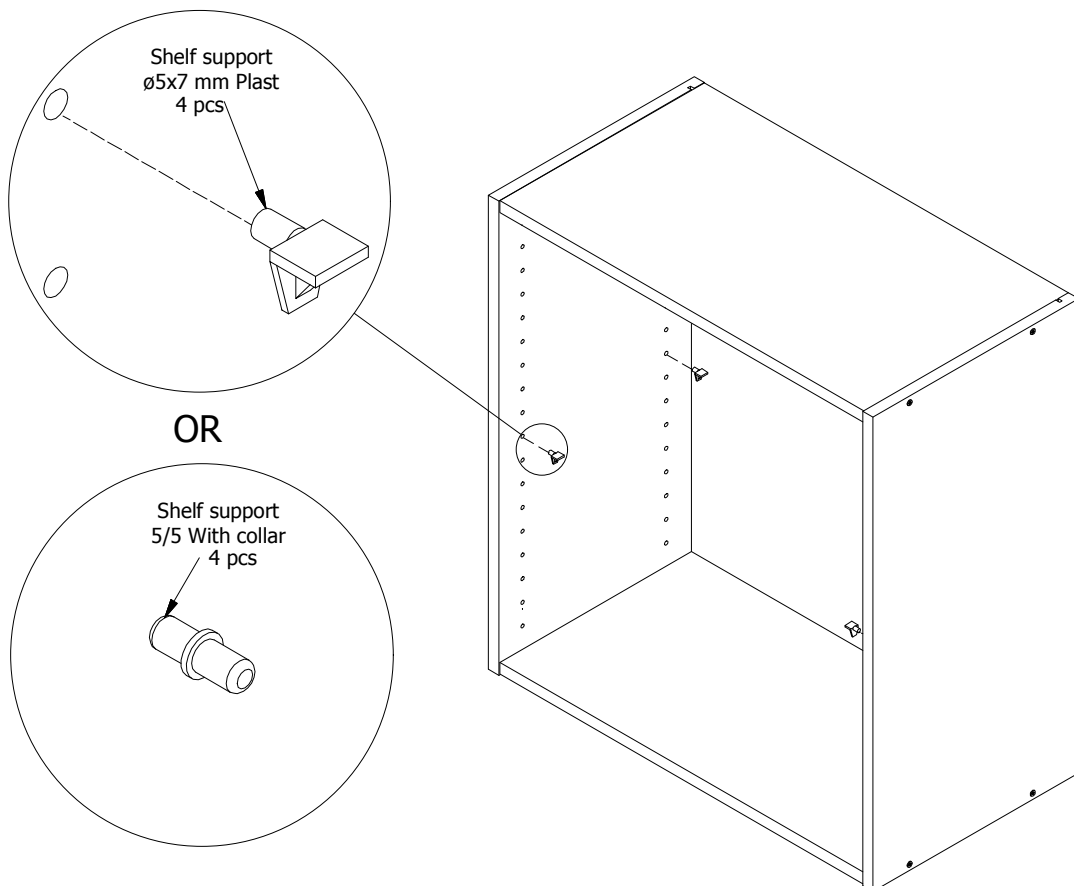


FIG. 7

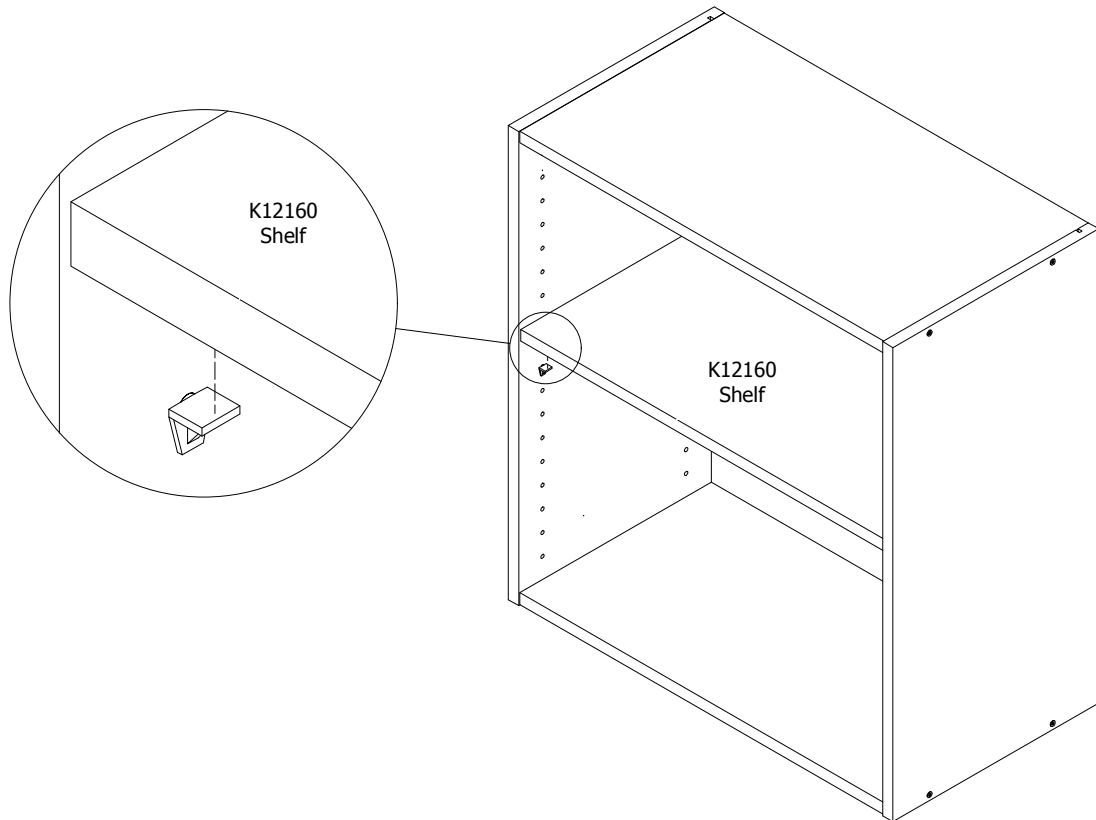


FIG. 8

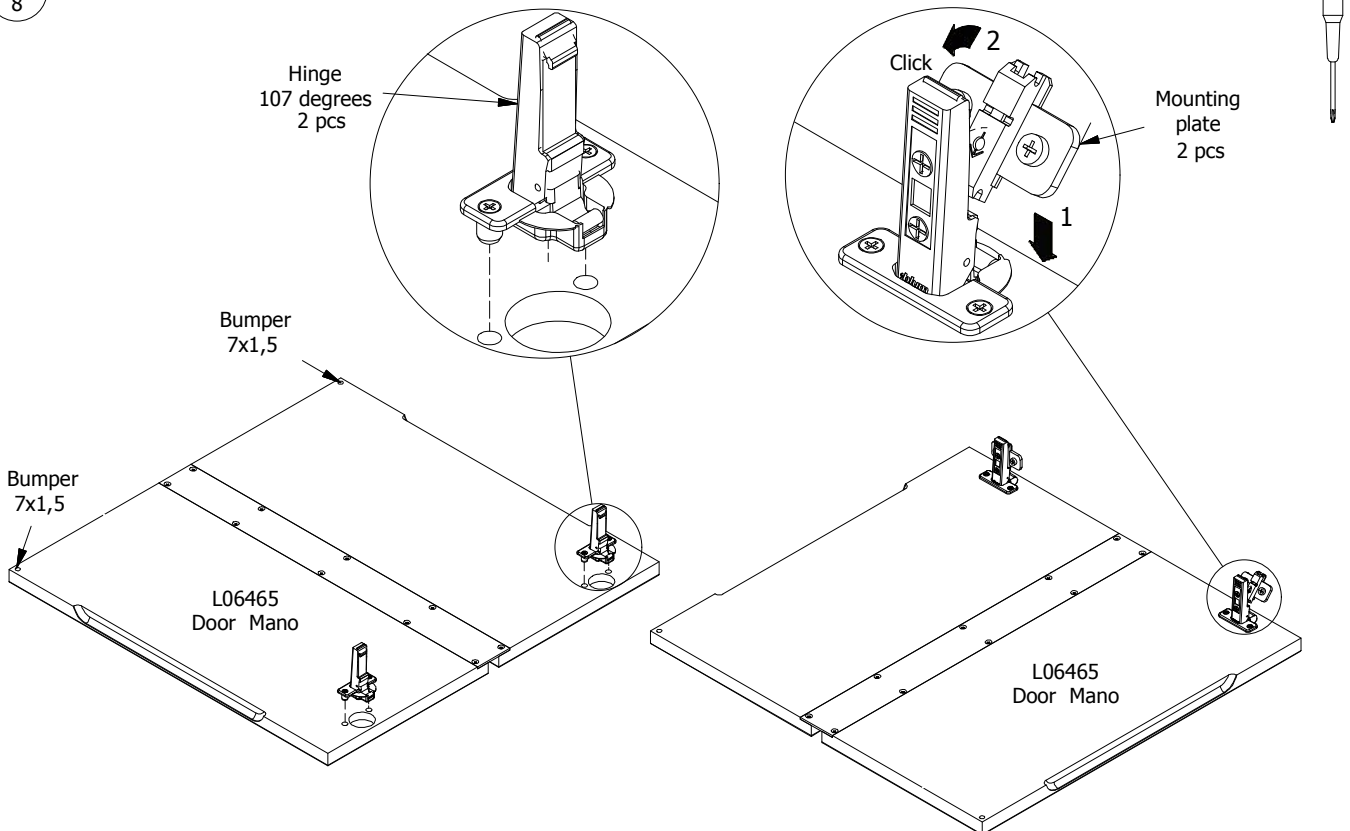


FIG. 9

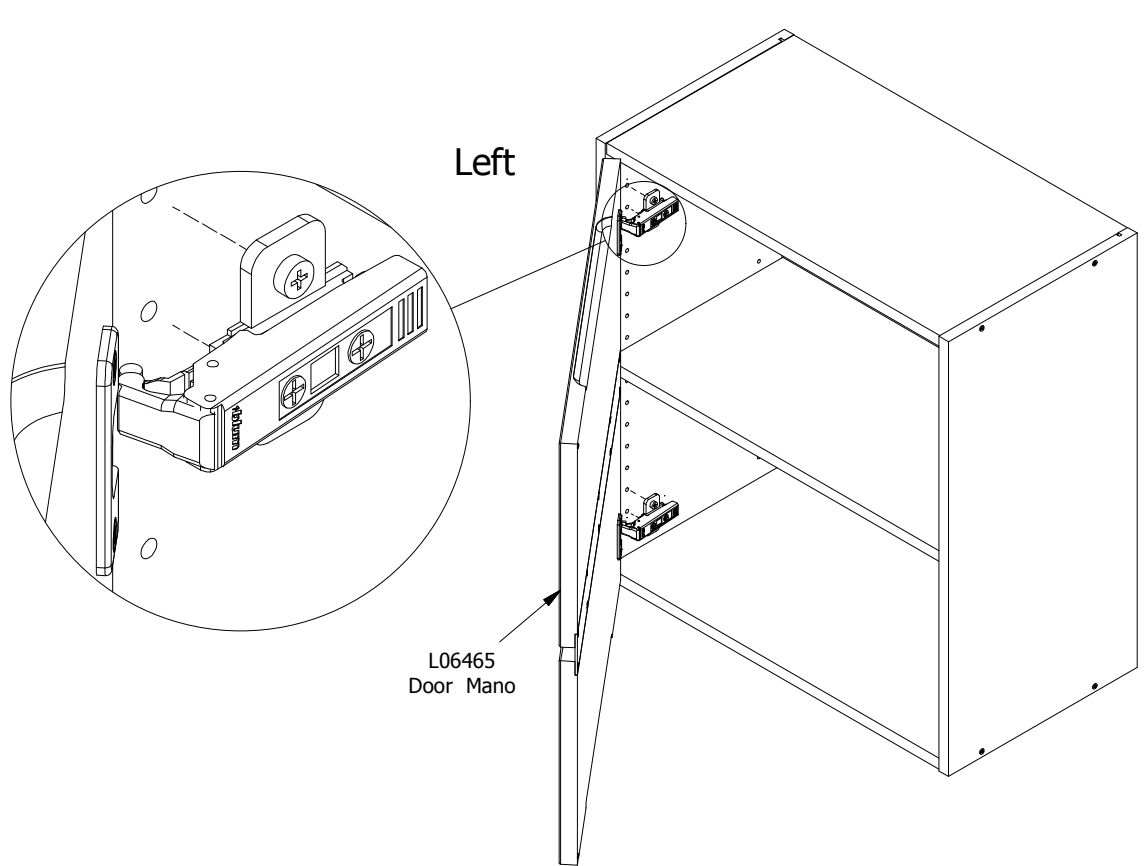
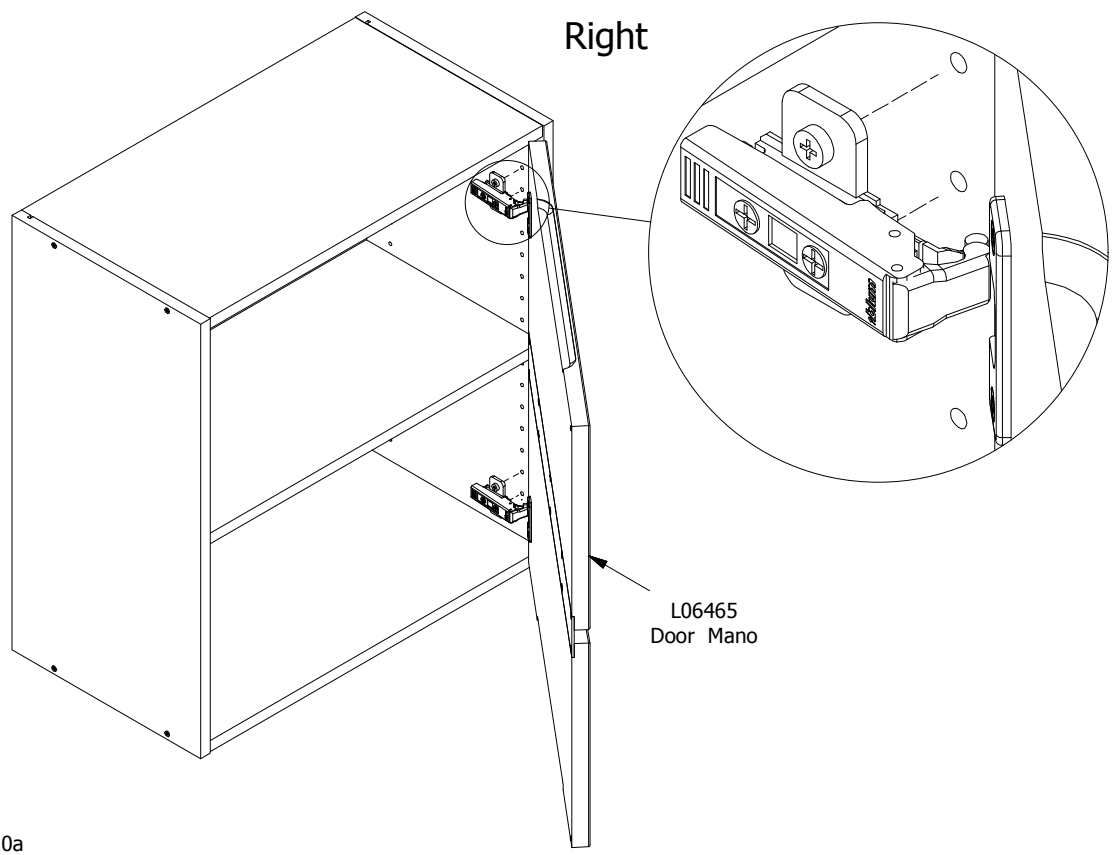


FIG. 10



Adjustment

