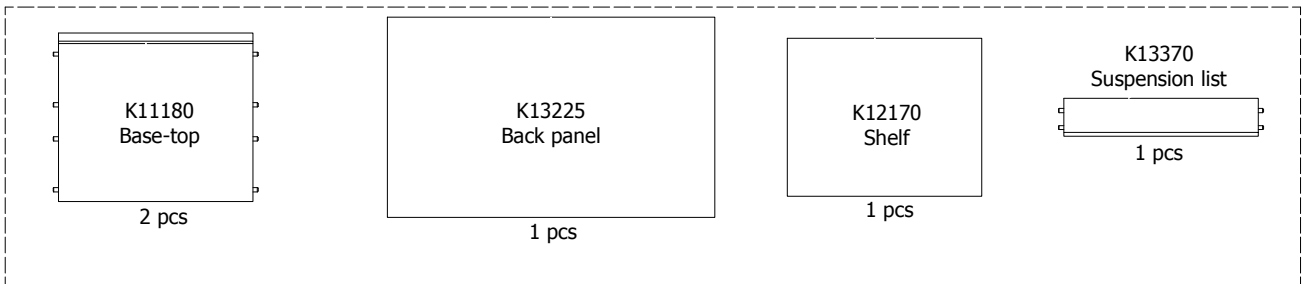


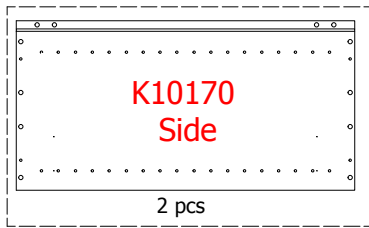
**kvik**

**MDBS6410,040**

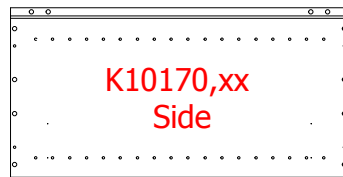
FR62,040,\*\*\*



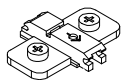
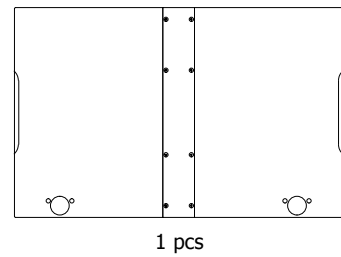
OS6432,\*\*\*



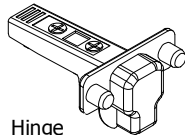
OR



L06445  
Door Mano



Mounting  
plate  
2 pcs



Hinge  
107 degrees  
2 pcs

BP00250-BP00205 OR BP00250-BP00028

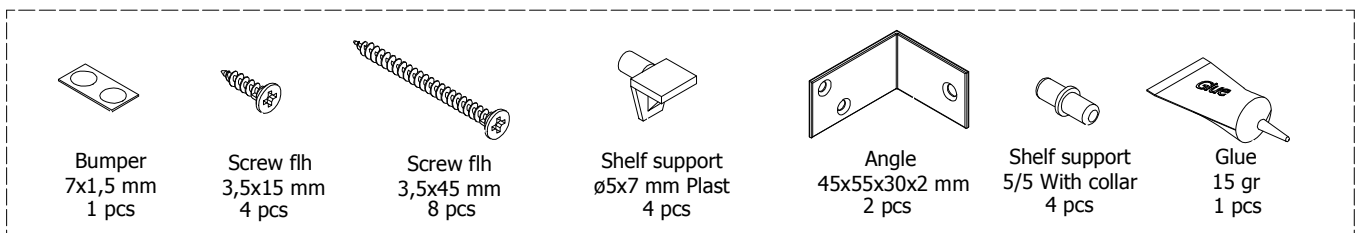


FIG. 1

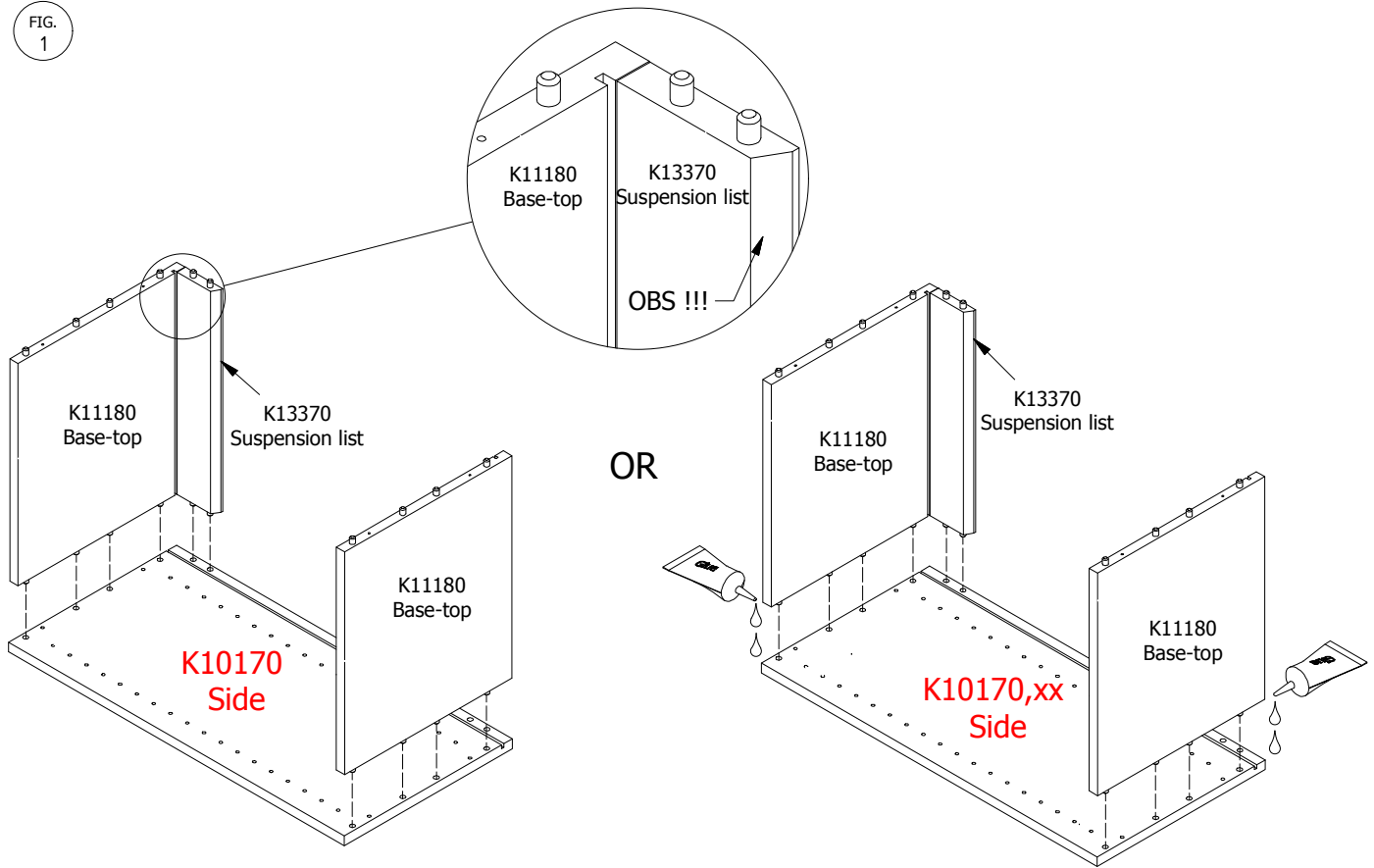


FIG. 2

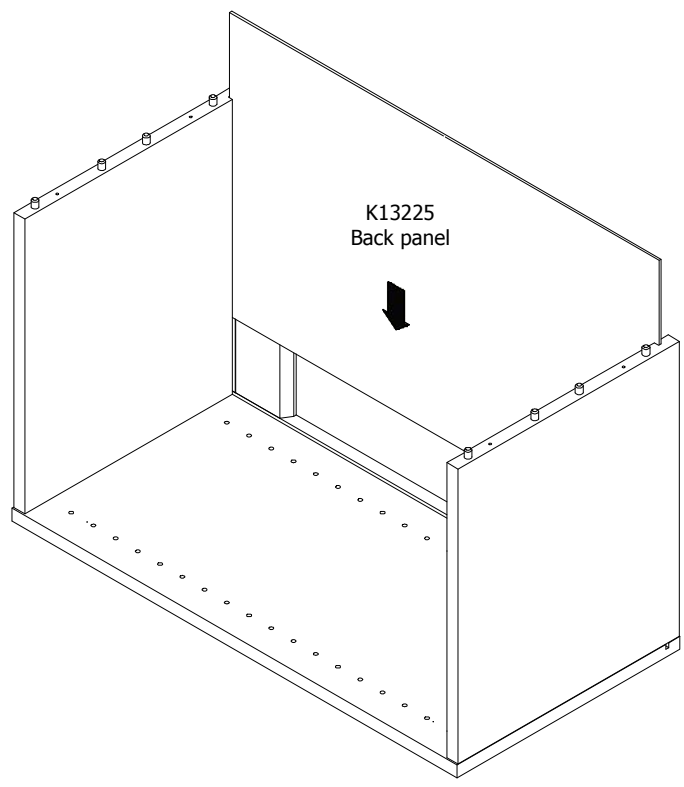


FIG. 3

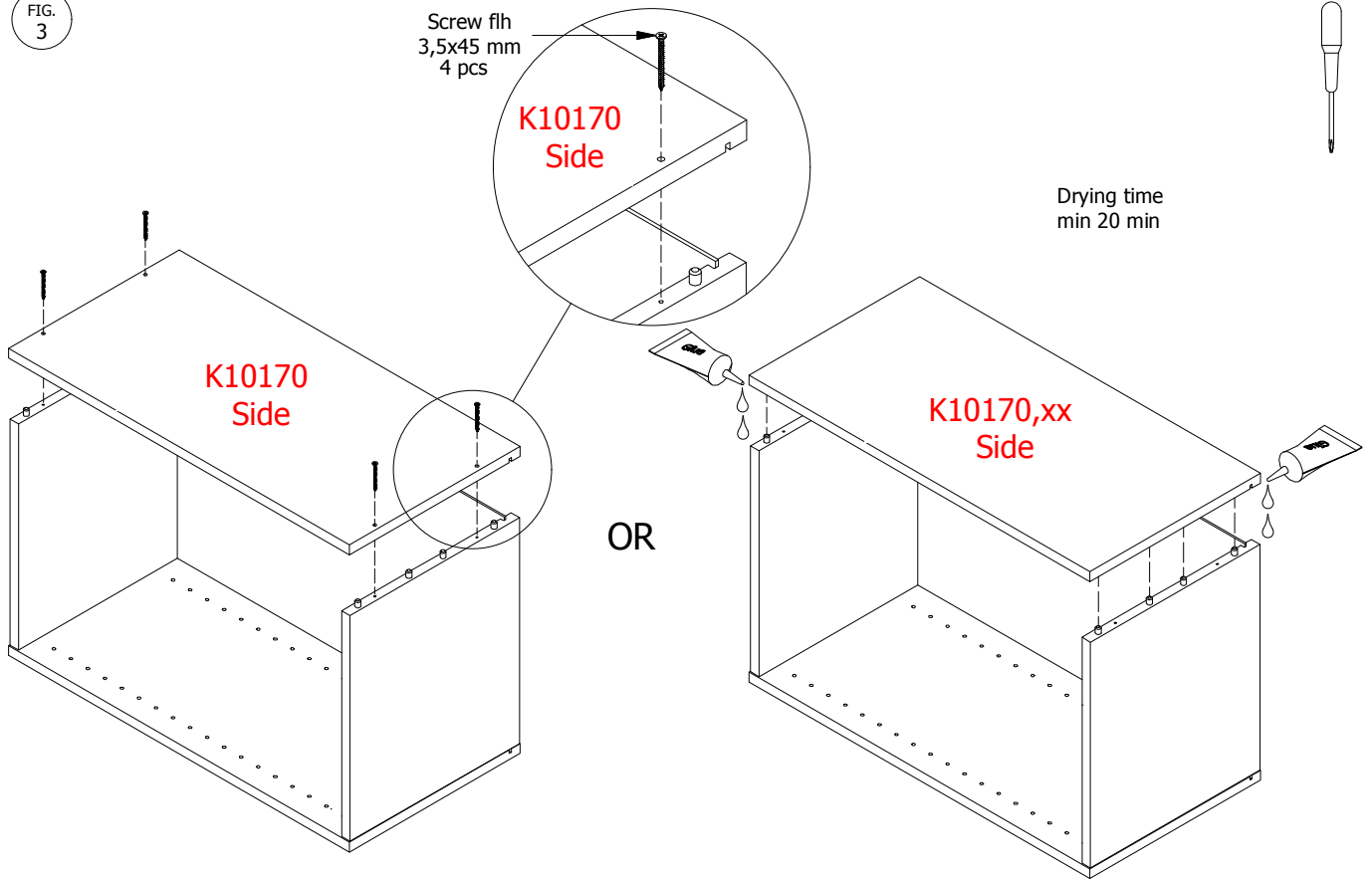


FIG. 4

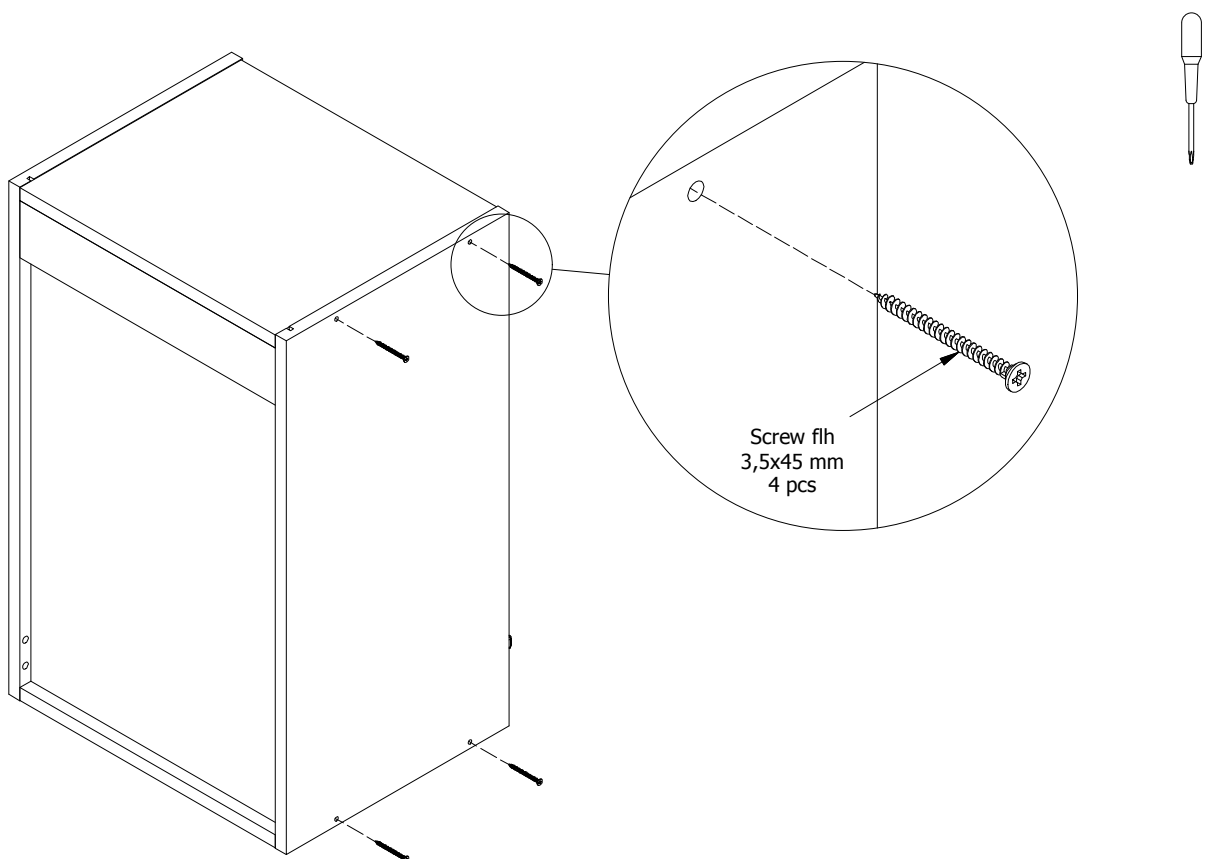


FIG. 5

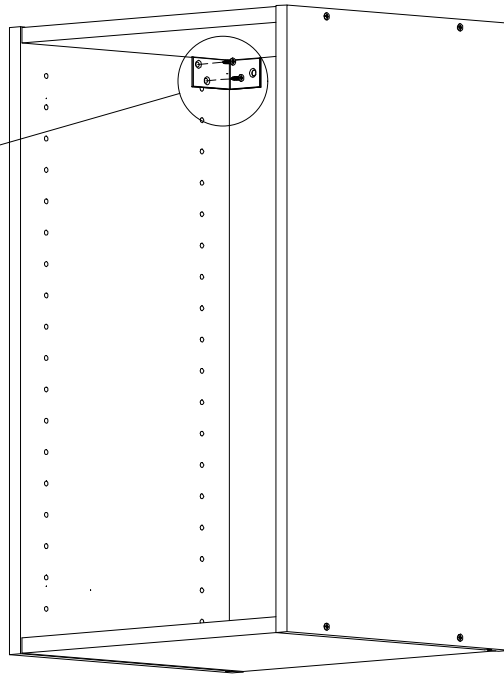
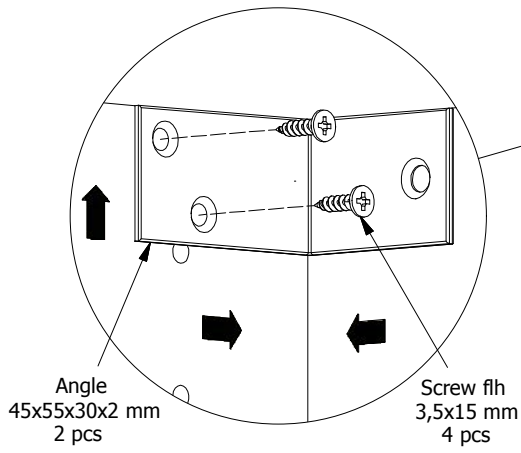
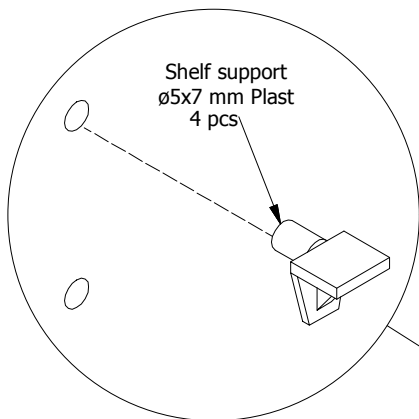


FIG. 6



OR

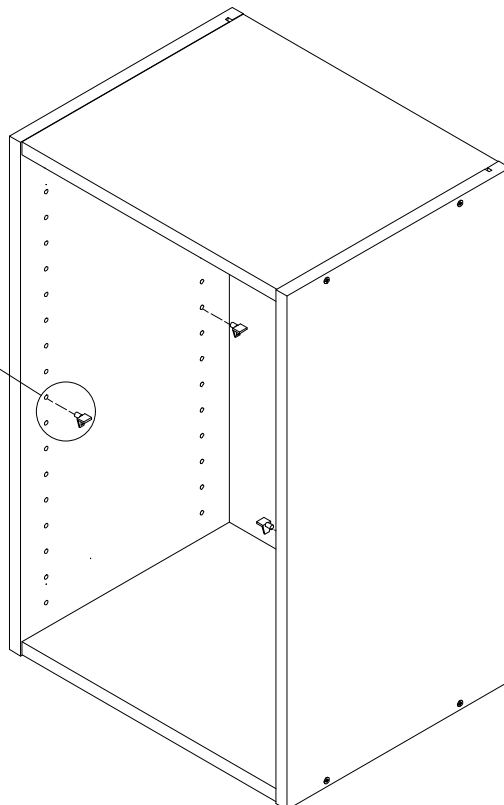
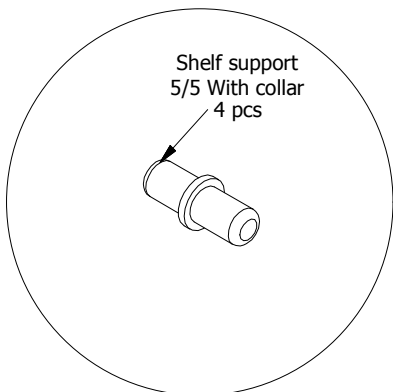


FIG. 7

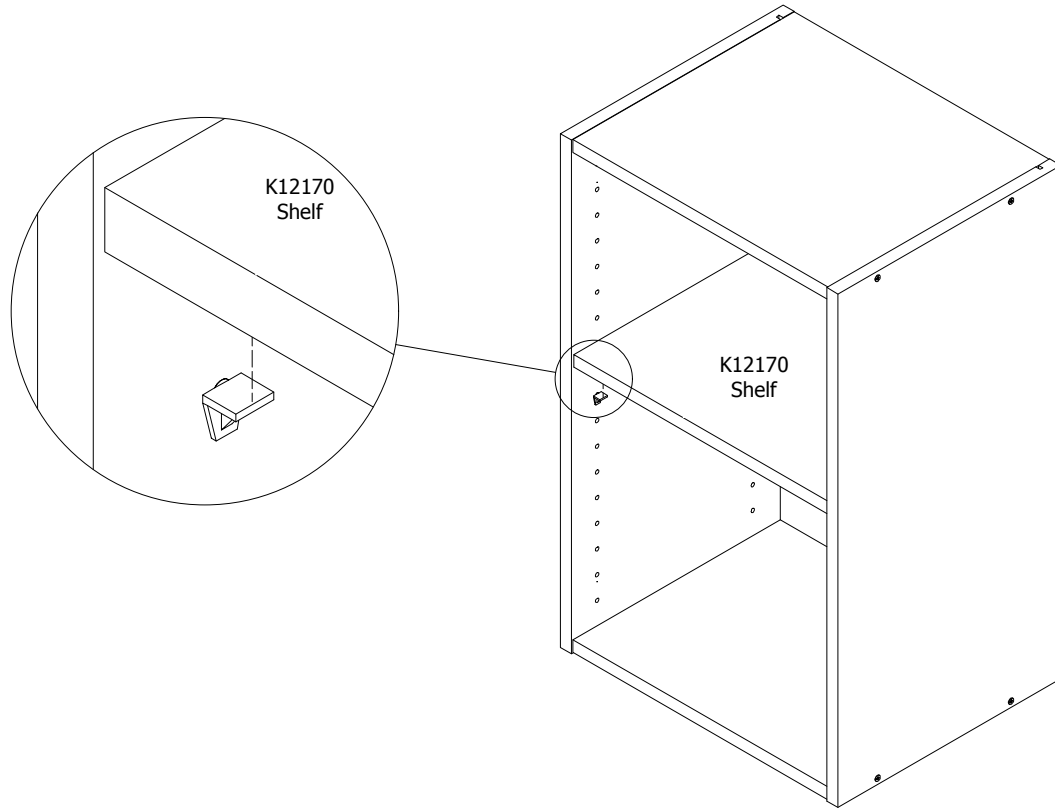


FIG. 8

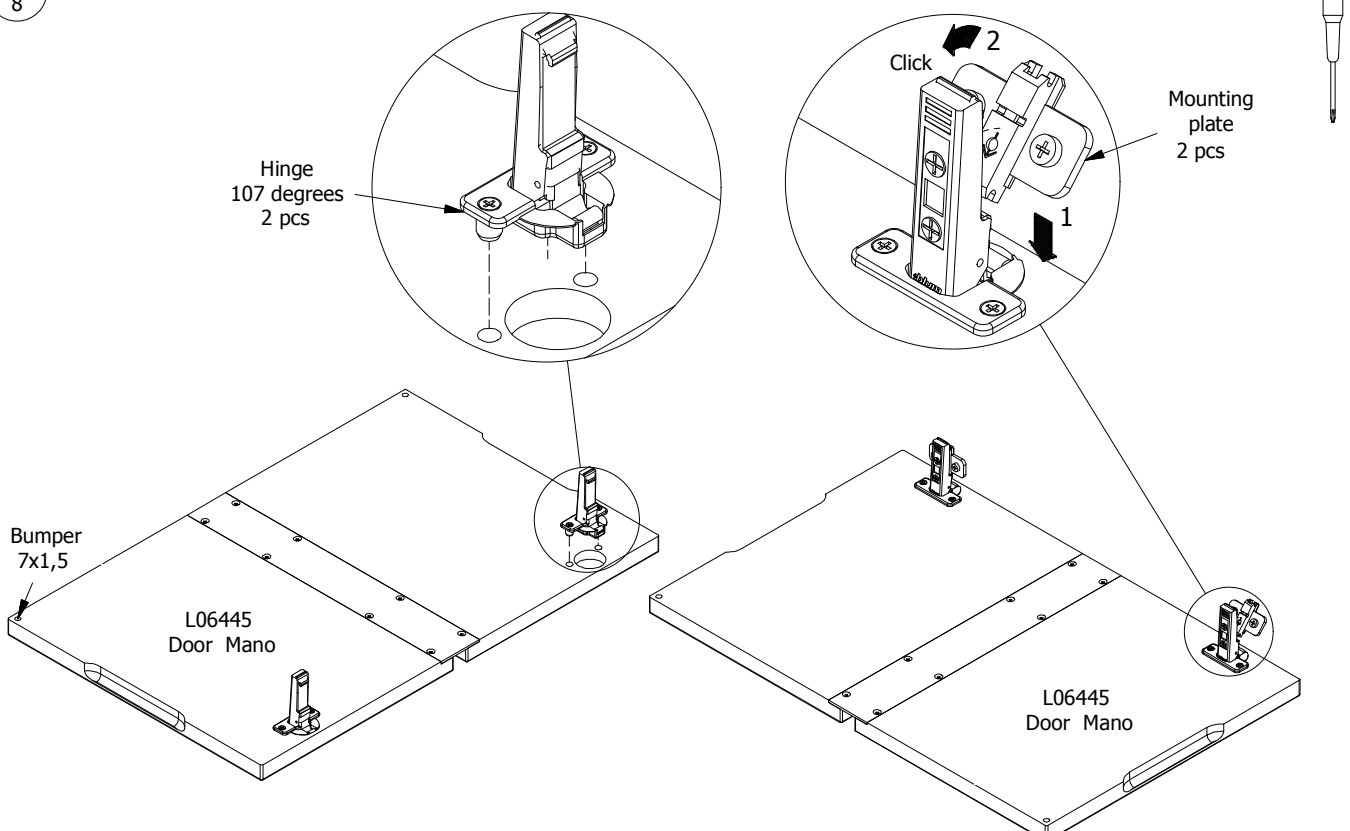


FIG. 9

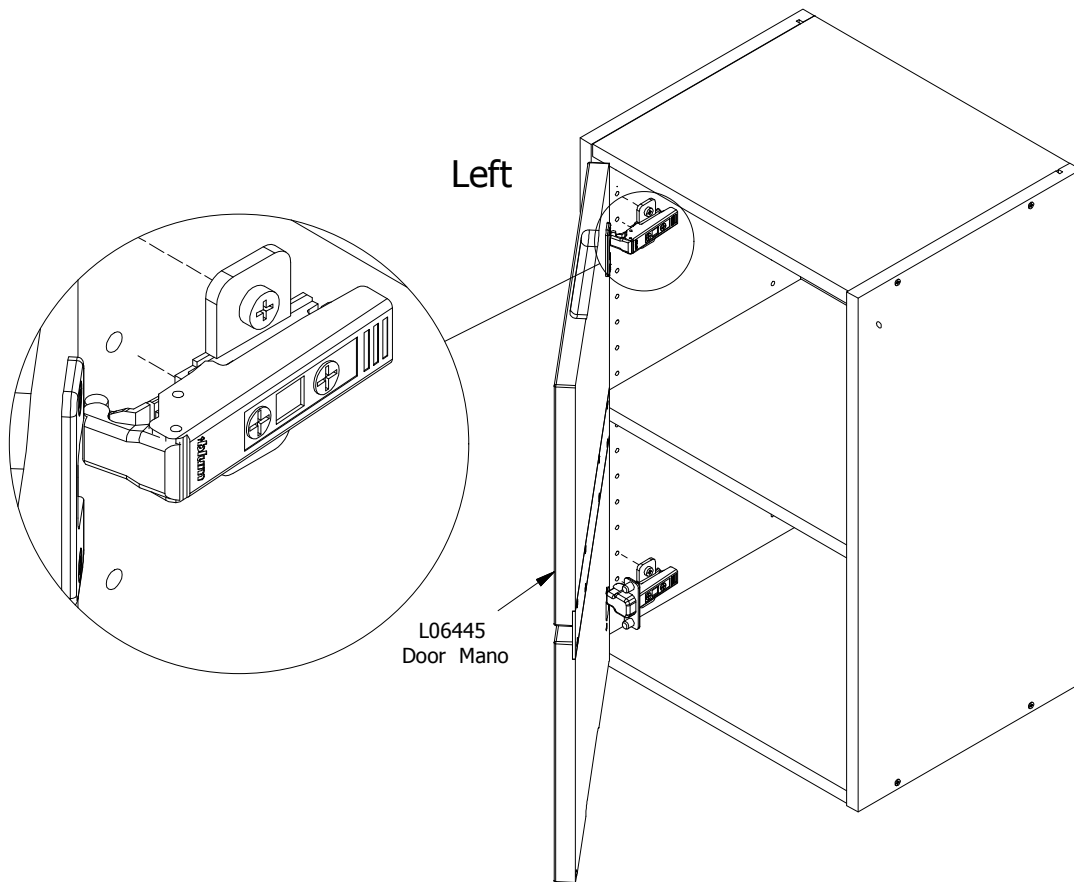
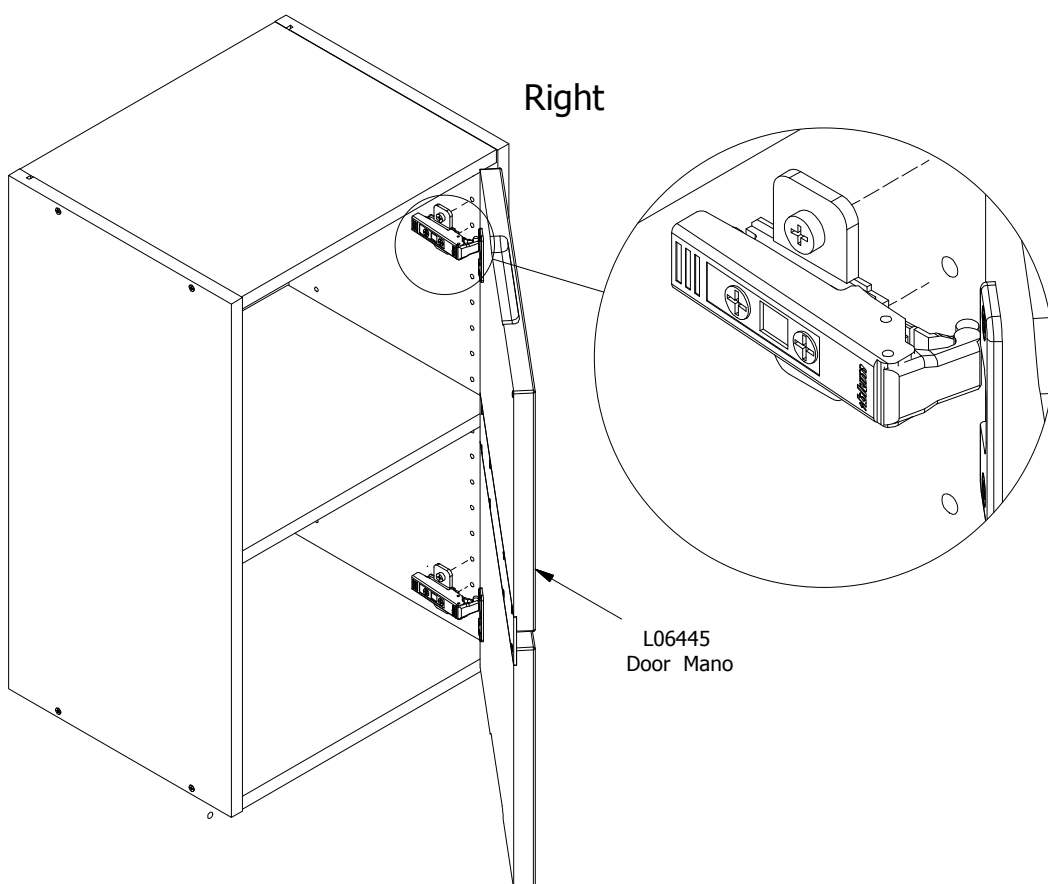


FIG. 10



---

## Adjustment

