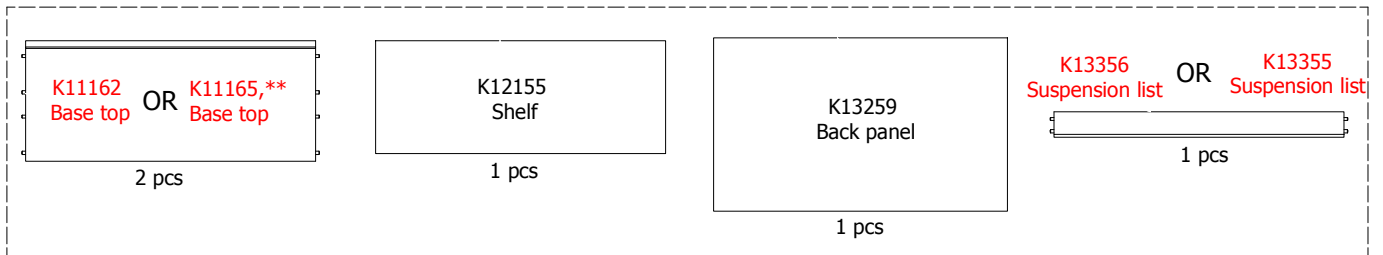


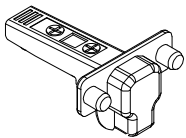
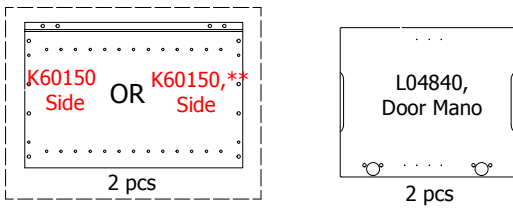
kvik 

MDBS4810,080

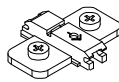
FR63,080,000 OR FR62,080,***



OS4832,000 OR KVIK



Hinge
107 degrees
4 pcs



Mounting
plate
4 pcs

BP00205-BP00250

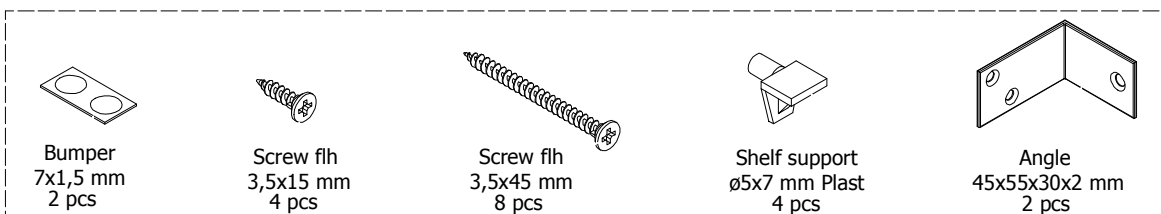


FIG. 1

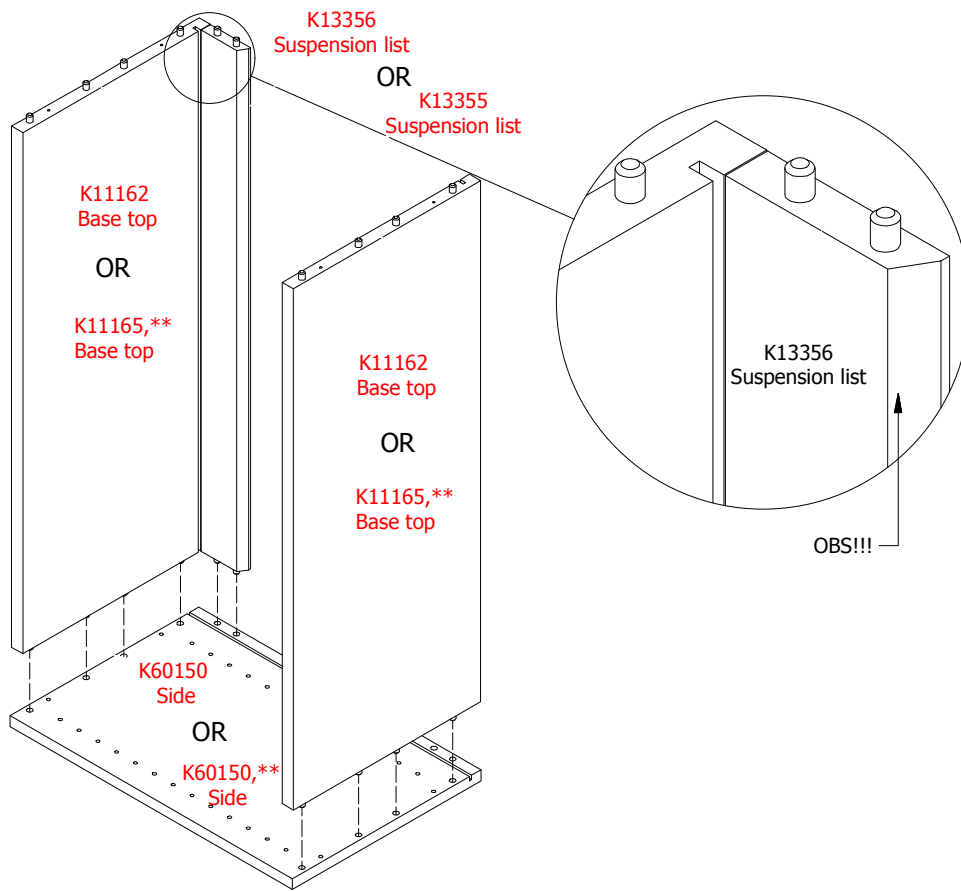


FIG. 2

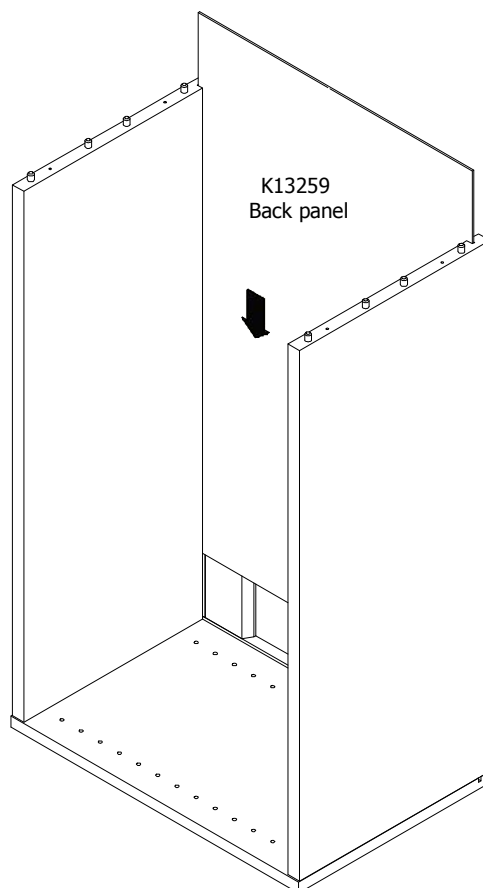


FIG. 3

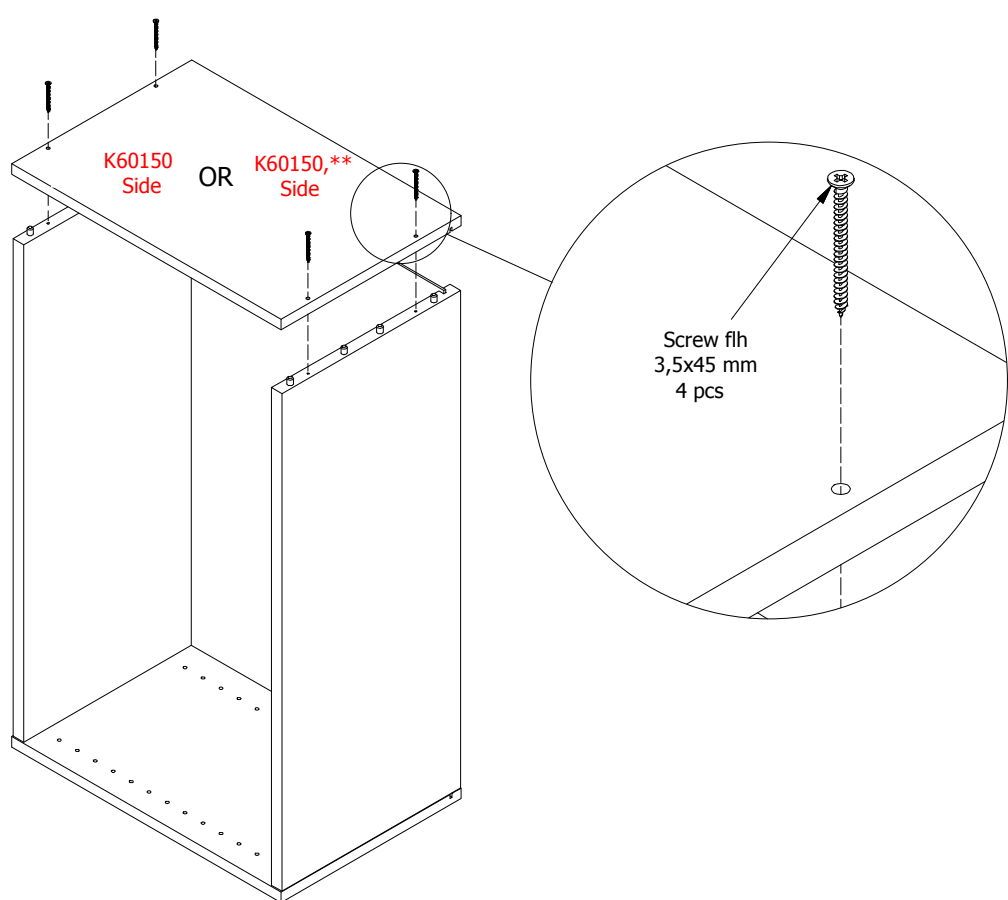


FIG. 4

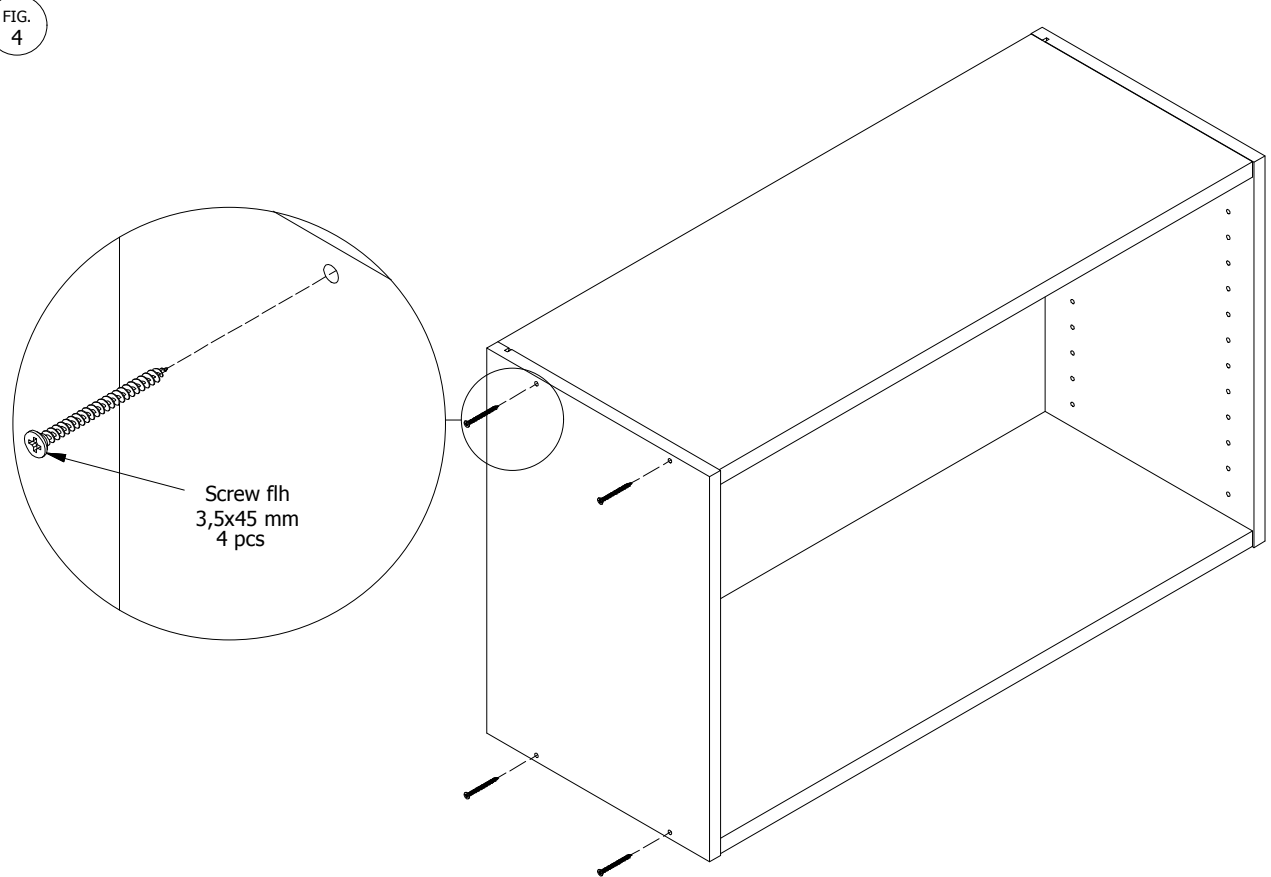


FIG. 5

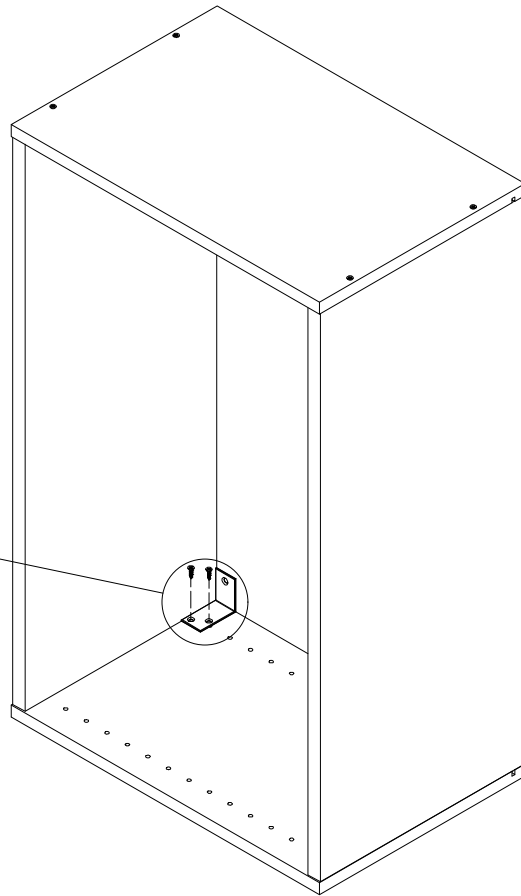
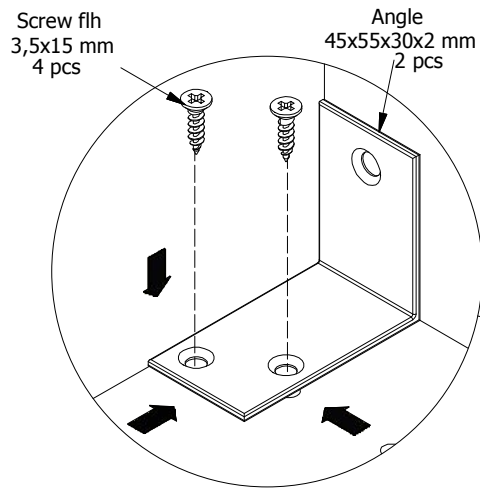


FIG. 6

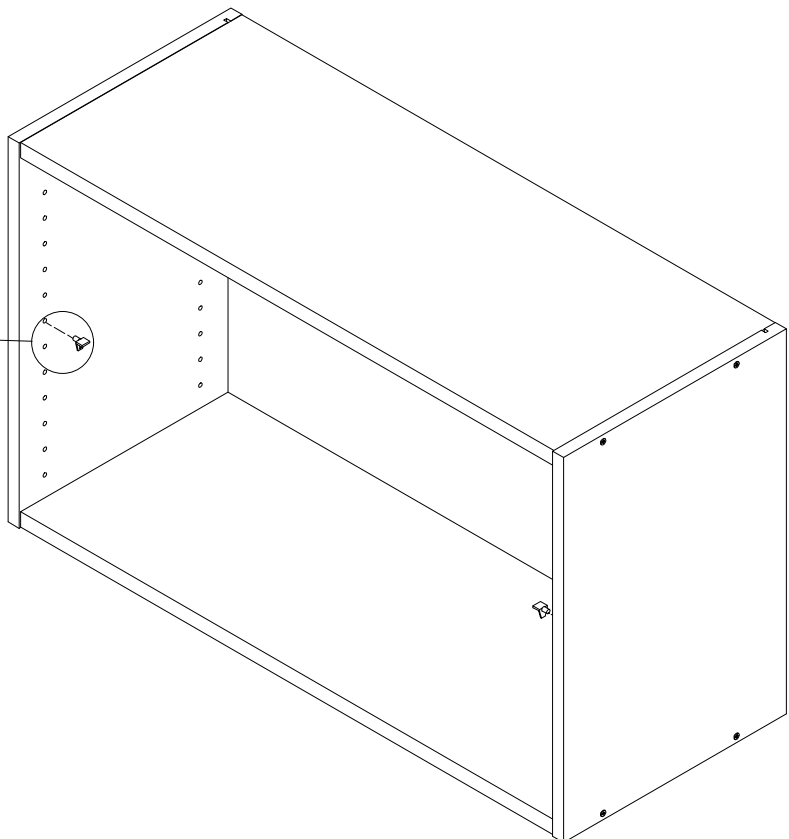
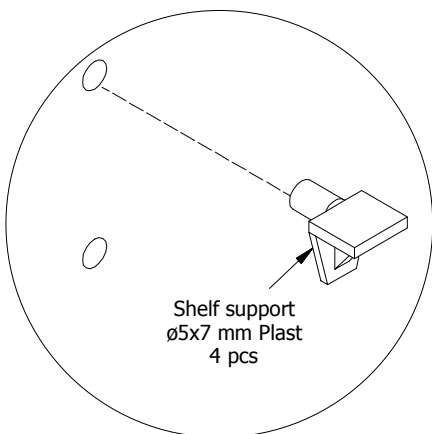


FIG. 7

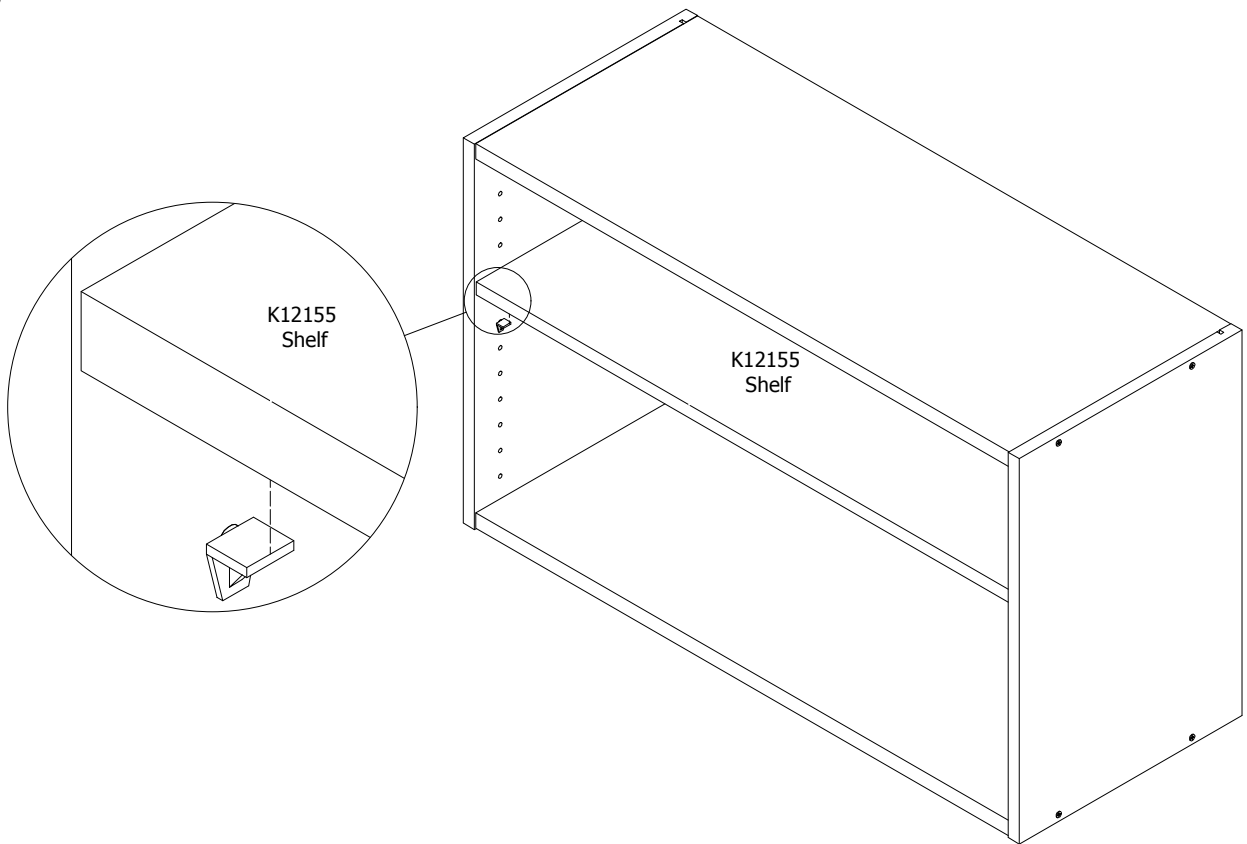


FIG. 8

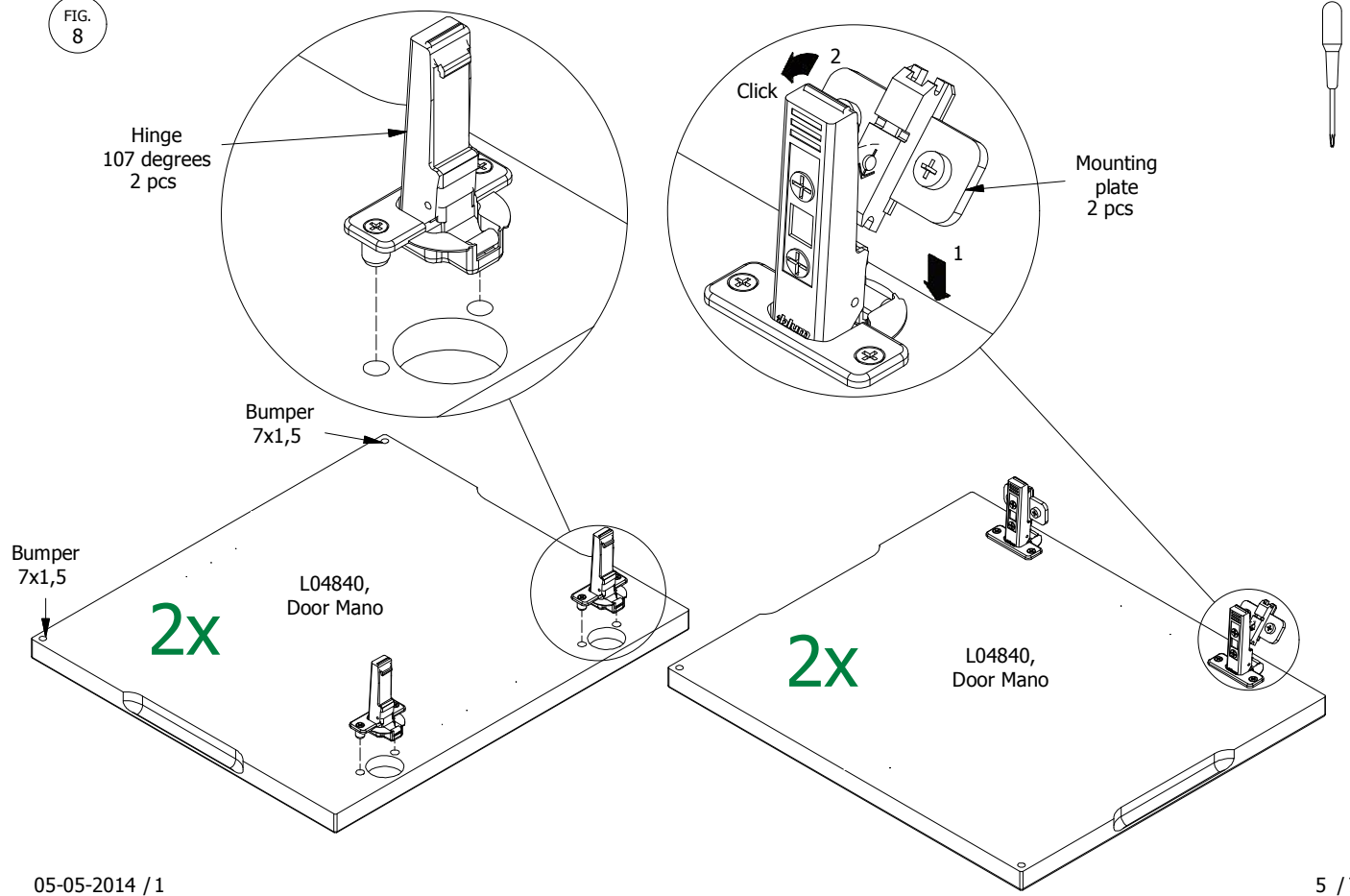
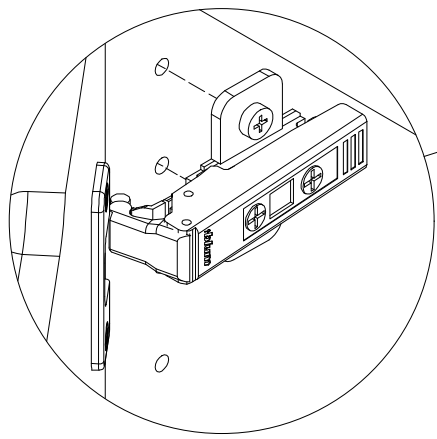


FIG. 9



Left



L04840,
Door Mano

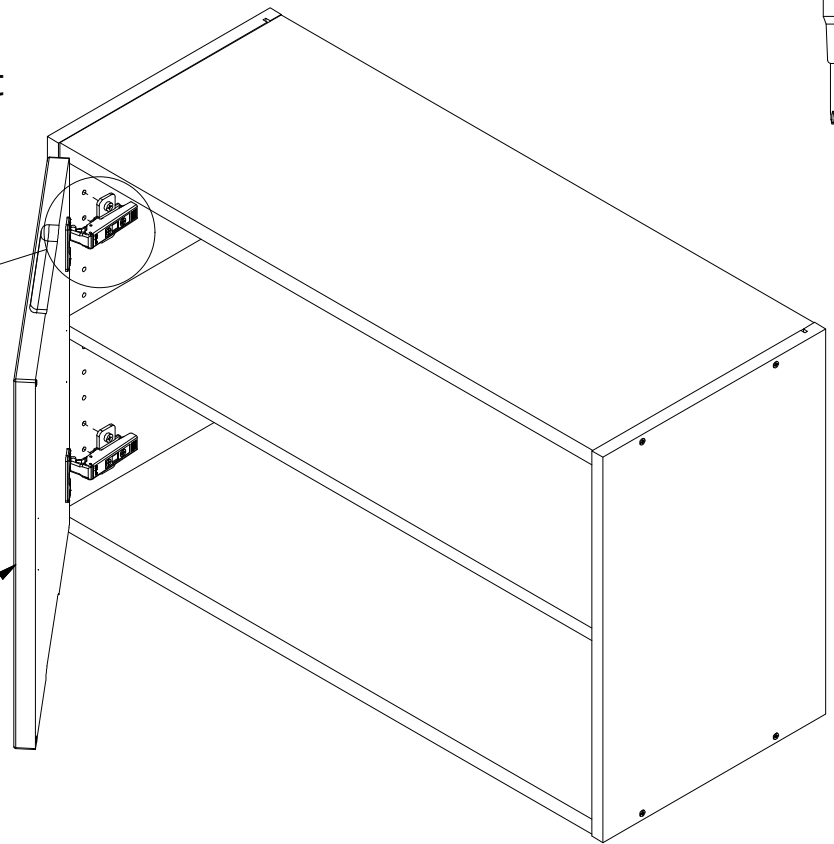
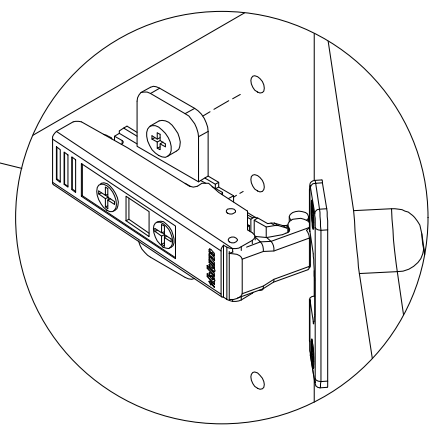


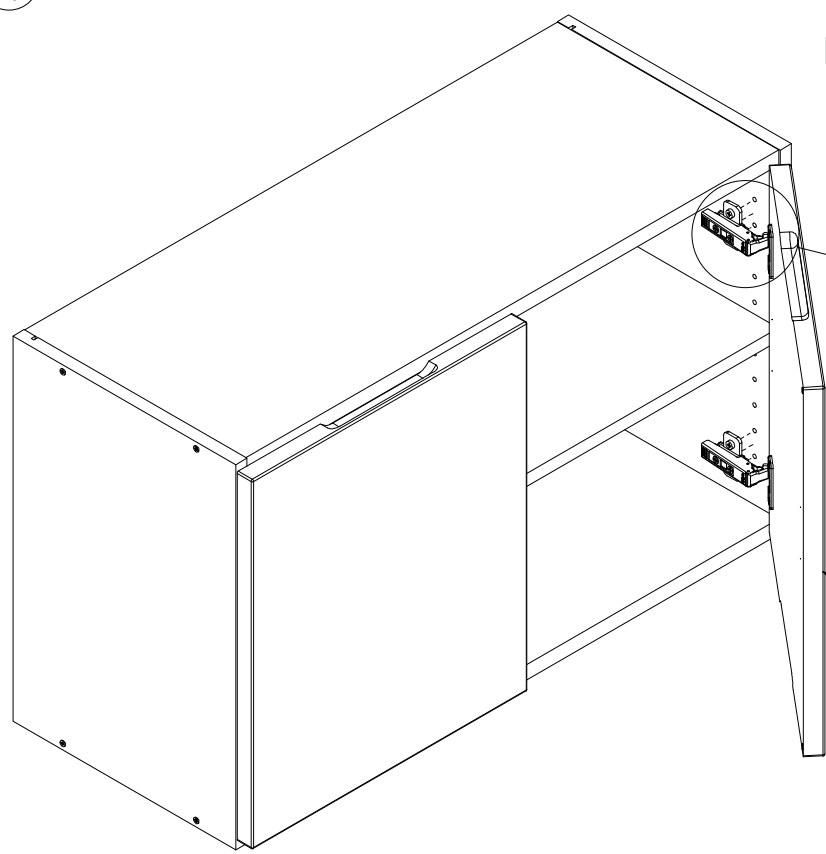
FIG. 10



Right



L04840,
Door Mano



Adjustment

