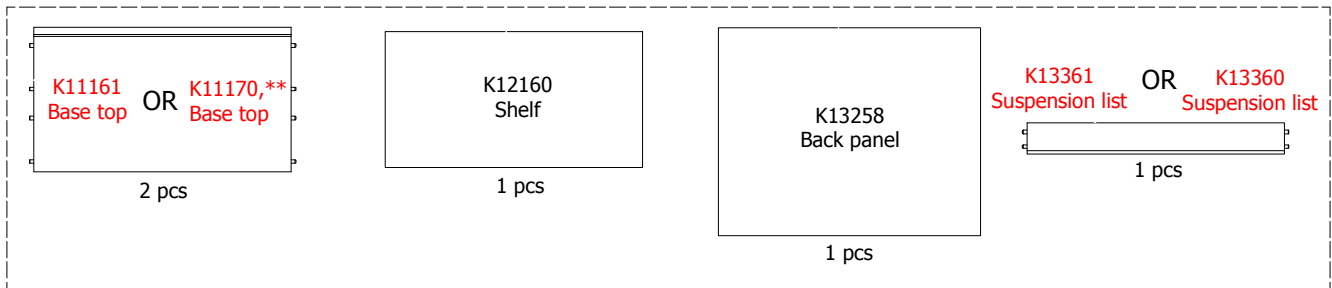


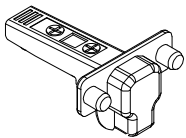
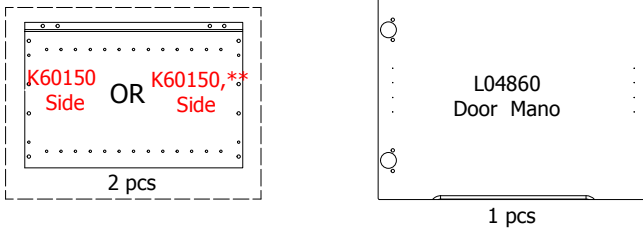
kvik 

MDBS4810,060

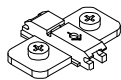
FR63,060,000 / FR62,060,***



OS4832,000 OR KVIK



Hinge
107 degrees
2 pcs



Mounting
plate
2 pcs

BP00205-BP00250

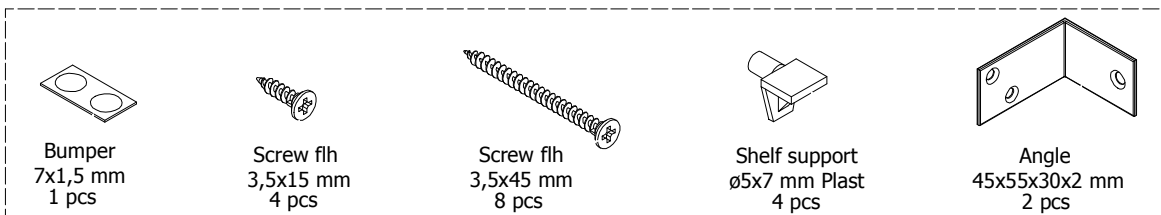


FIG. 1

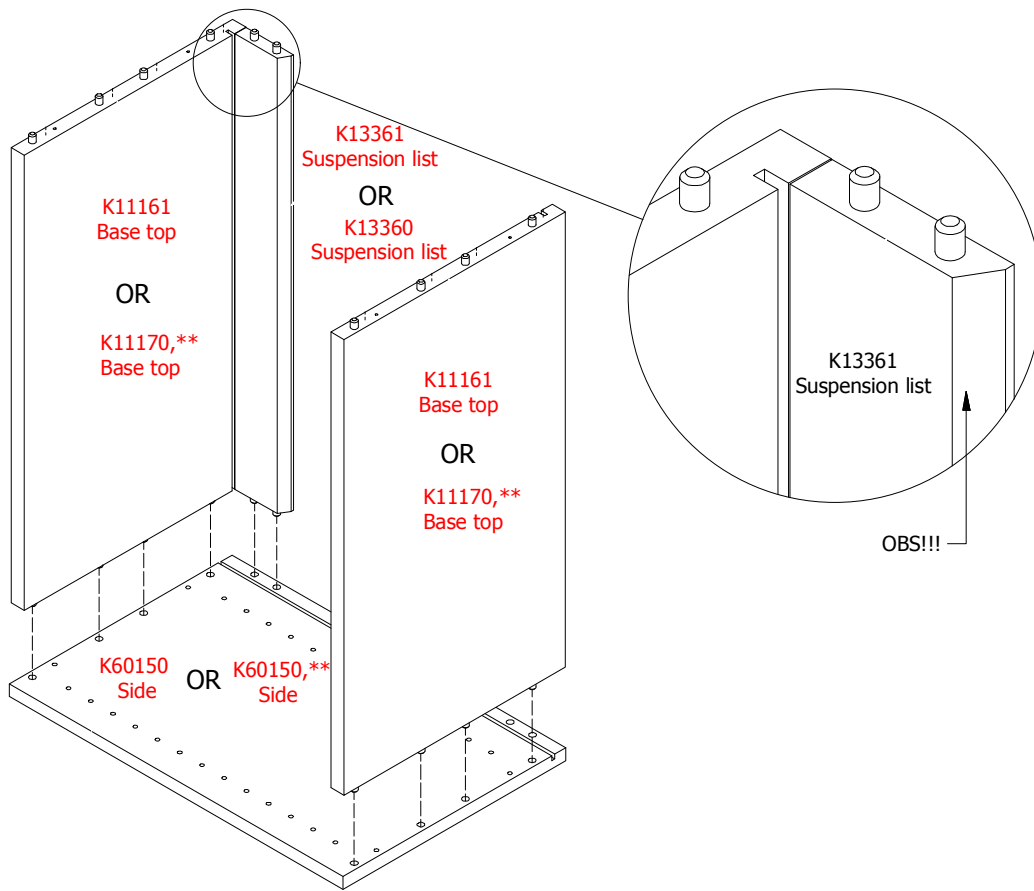


FIG. 2

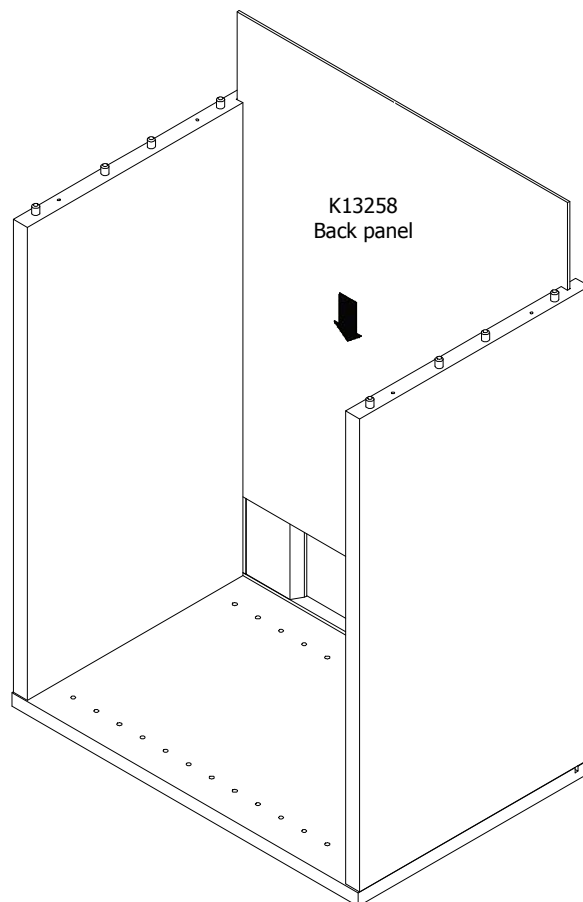


FIG. 3

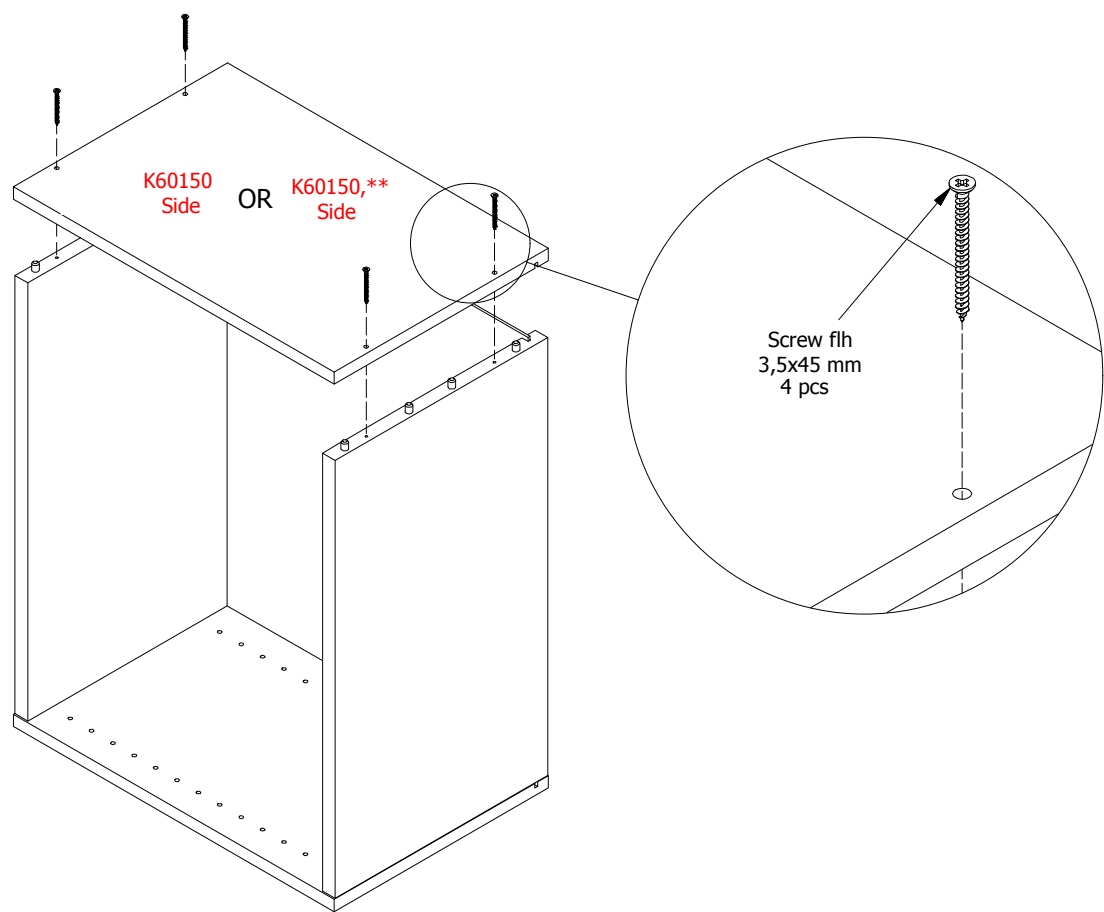


FIG. 4

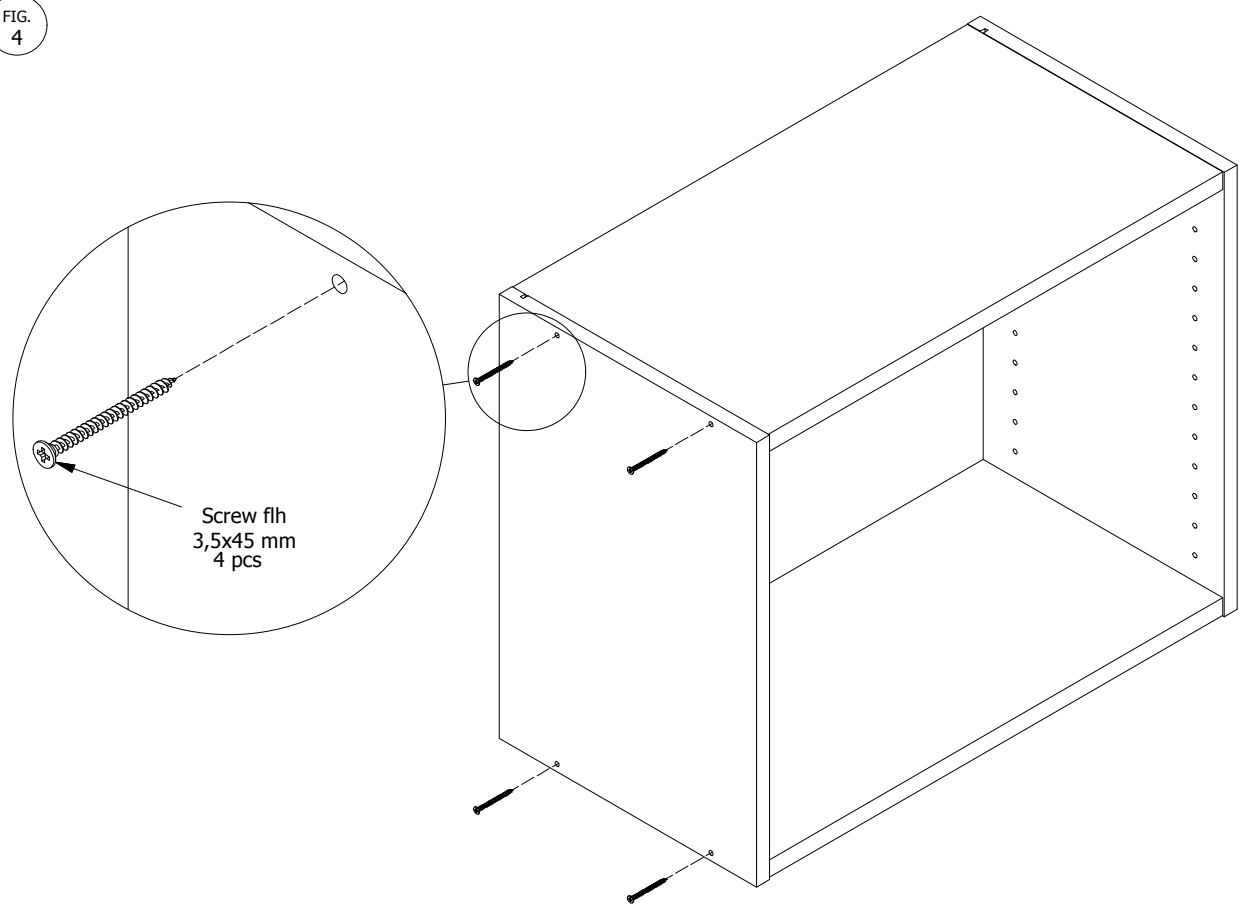


FIG. 5

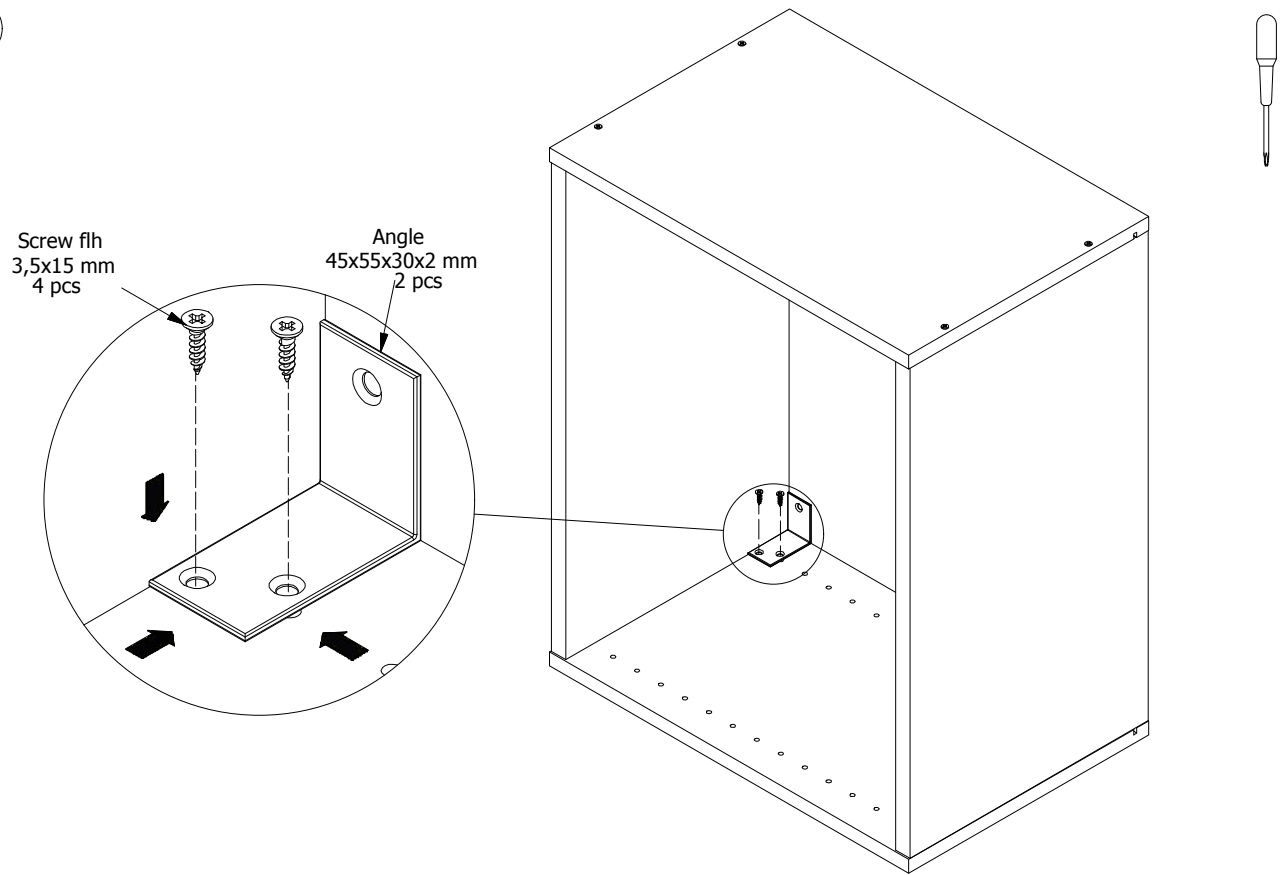


FIG. 6

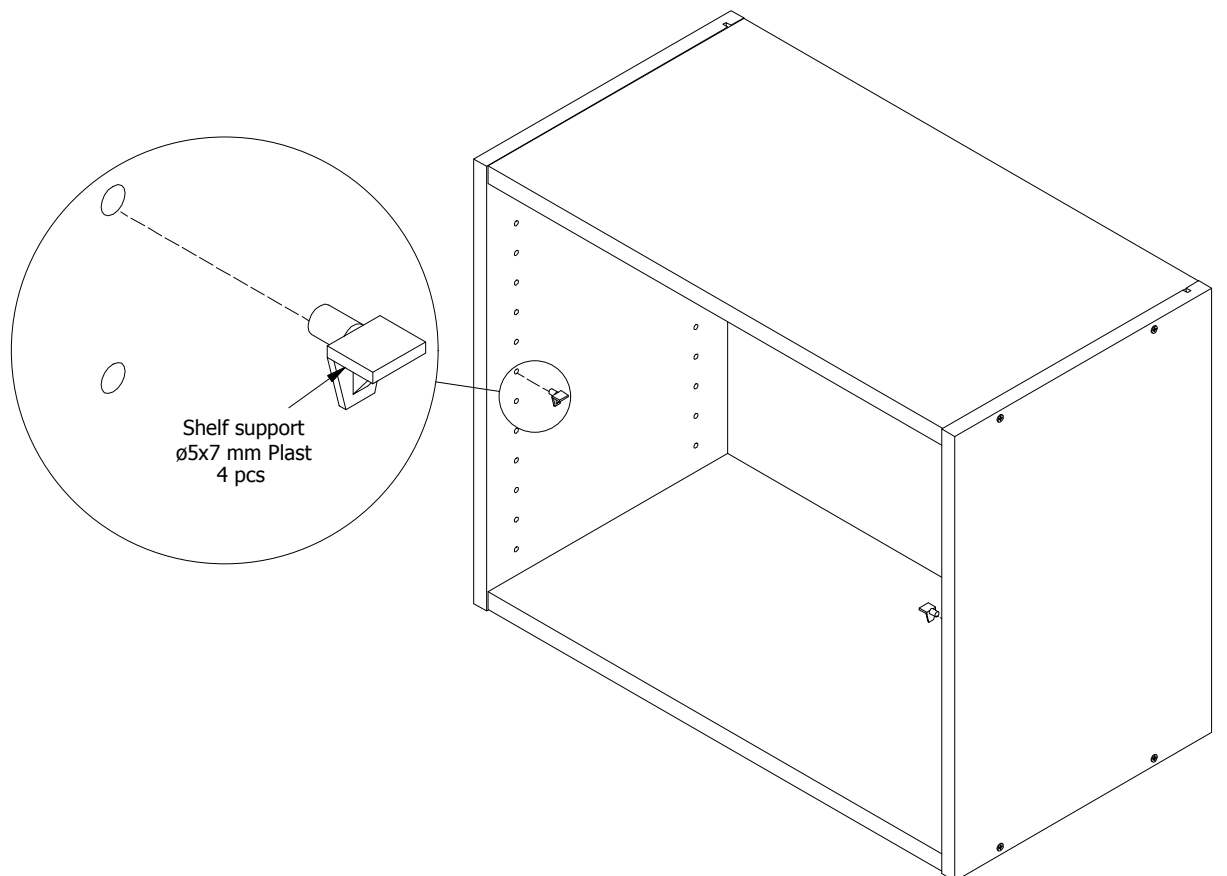


FIG. 7

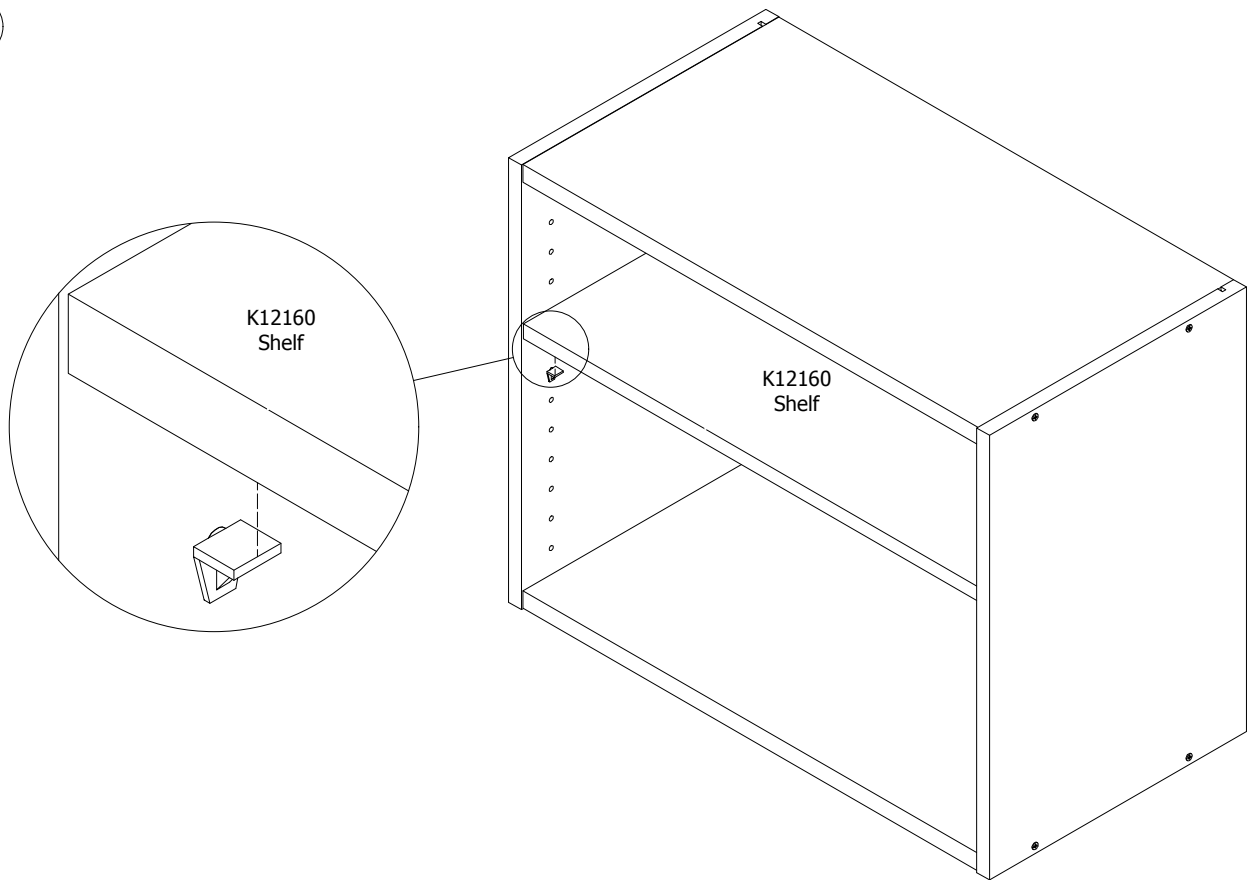


FIG. 8

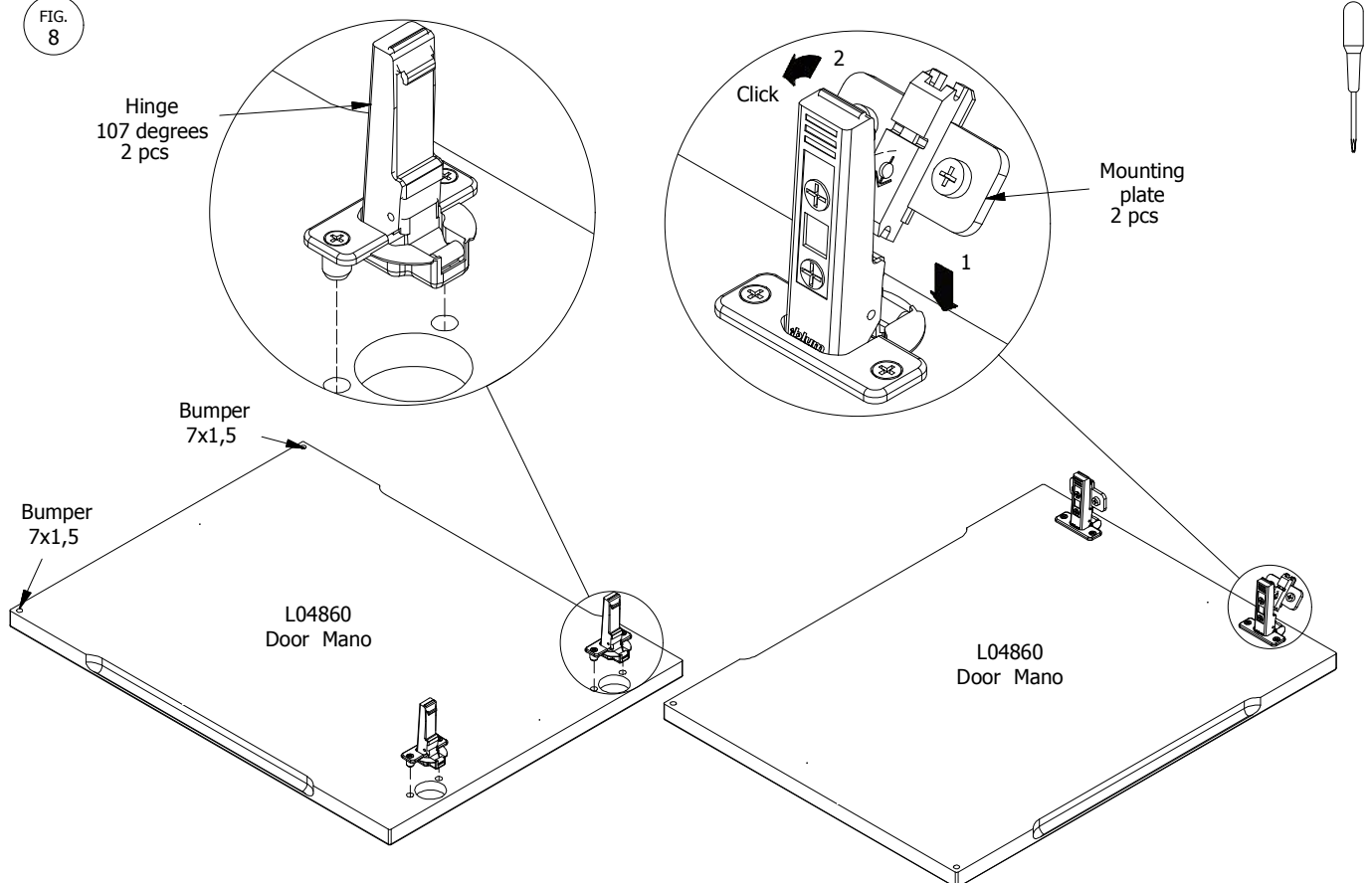
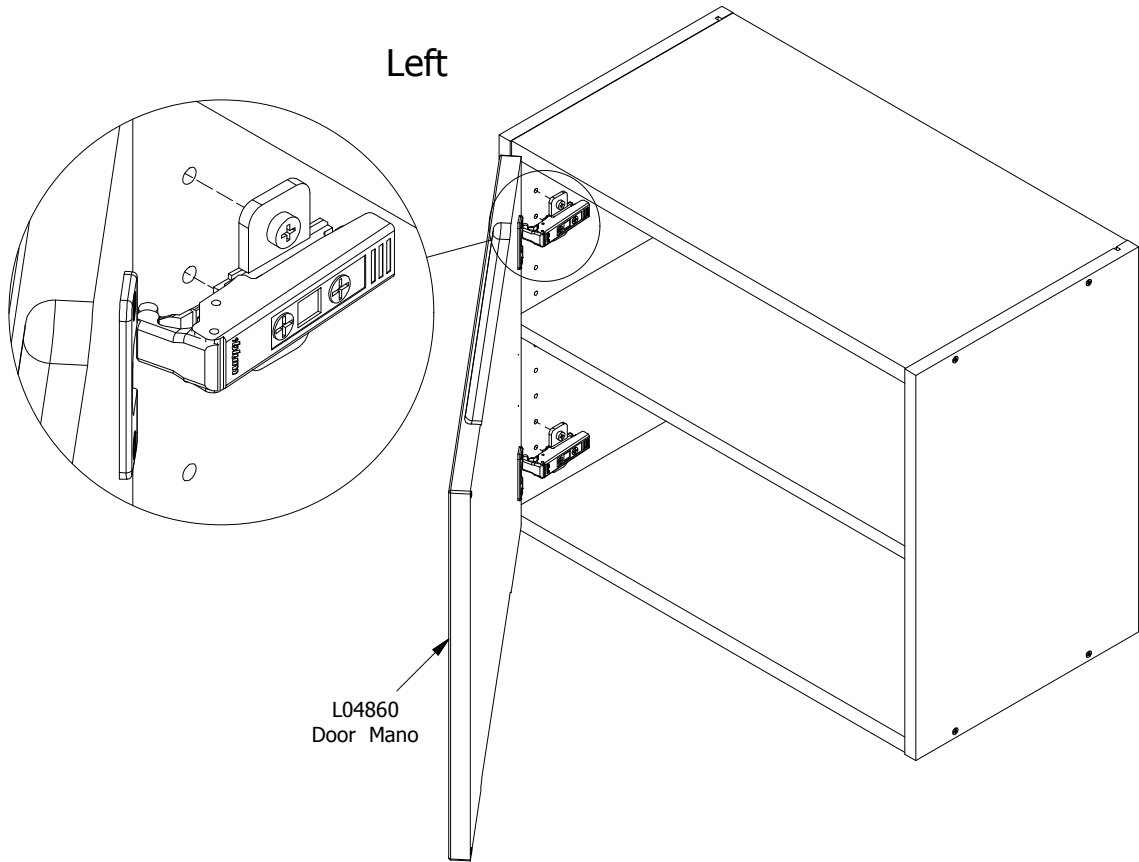


FIG. 9

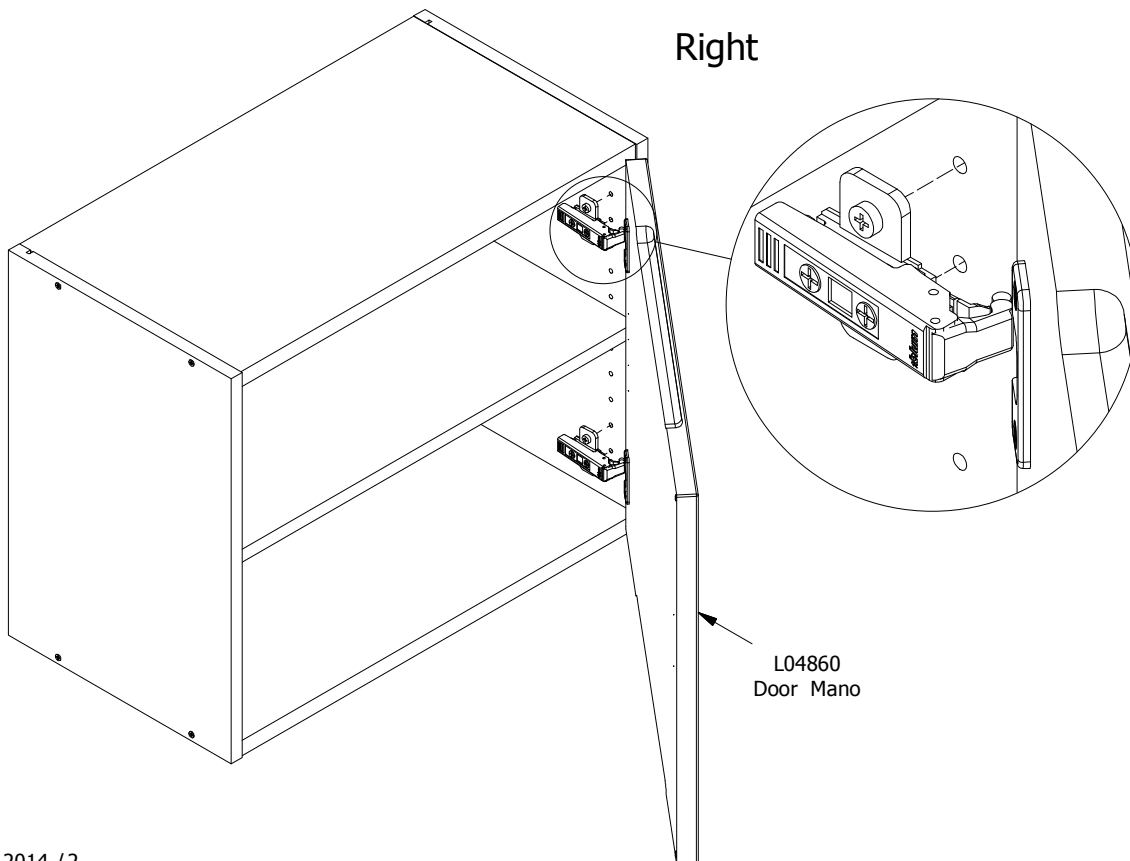
Left



L04860
Door Mano

FIG. 10

Right



L04860
Door Mano

Adjustment

