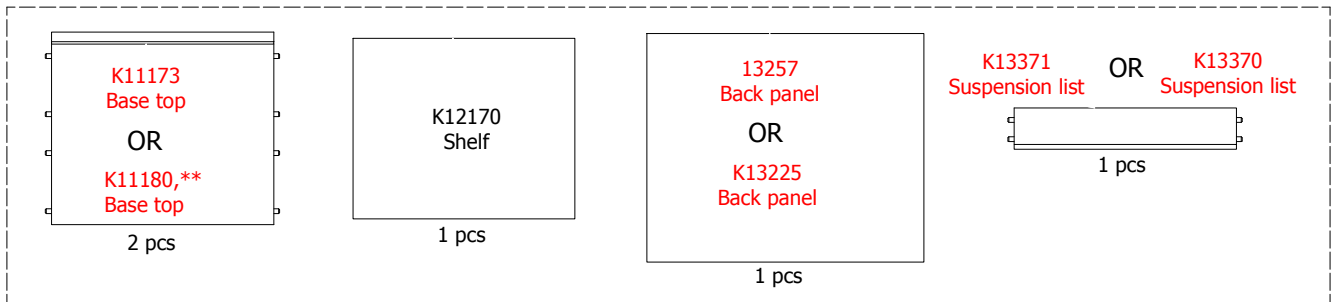


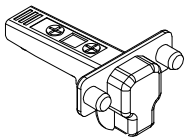
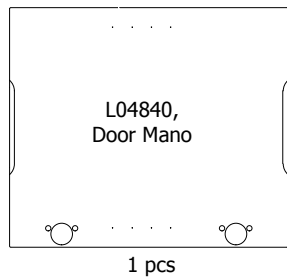
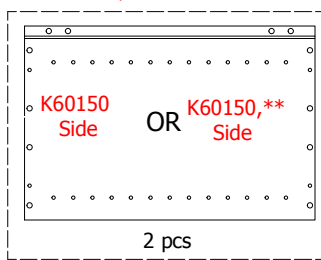
**kvik**

**MDBS4810,040**

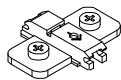
FR63,040,000 / FR62,040,\*\*\*



OS4832,000 OR KVIK



Hinge  
107 degrees  
2 pcs



BP00417  
Mounting plate  
2 pcs

BP00205-BP00250

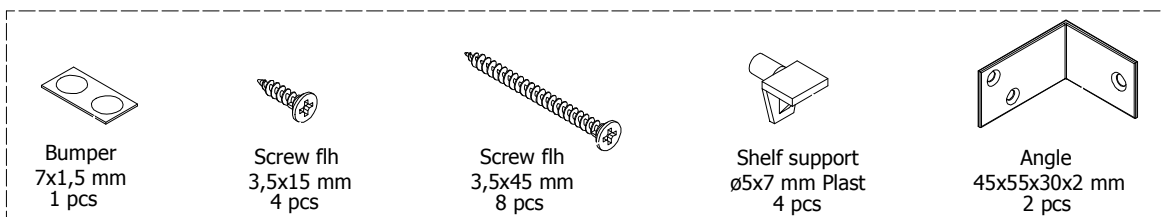


FIG. 1

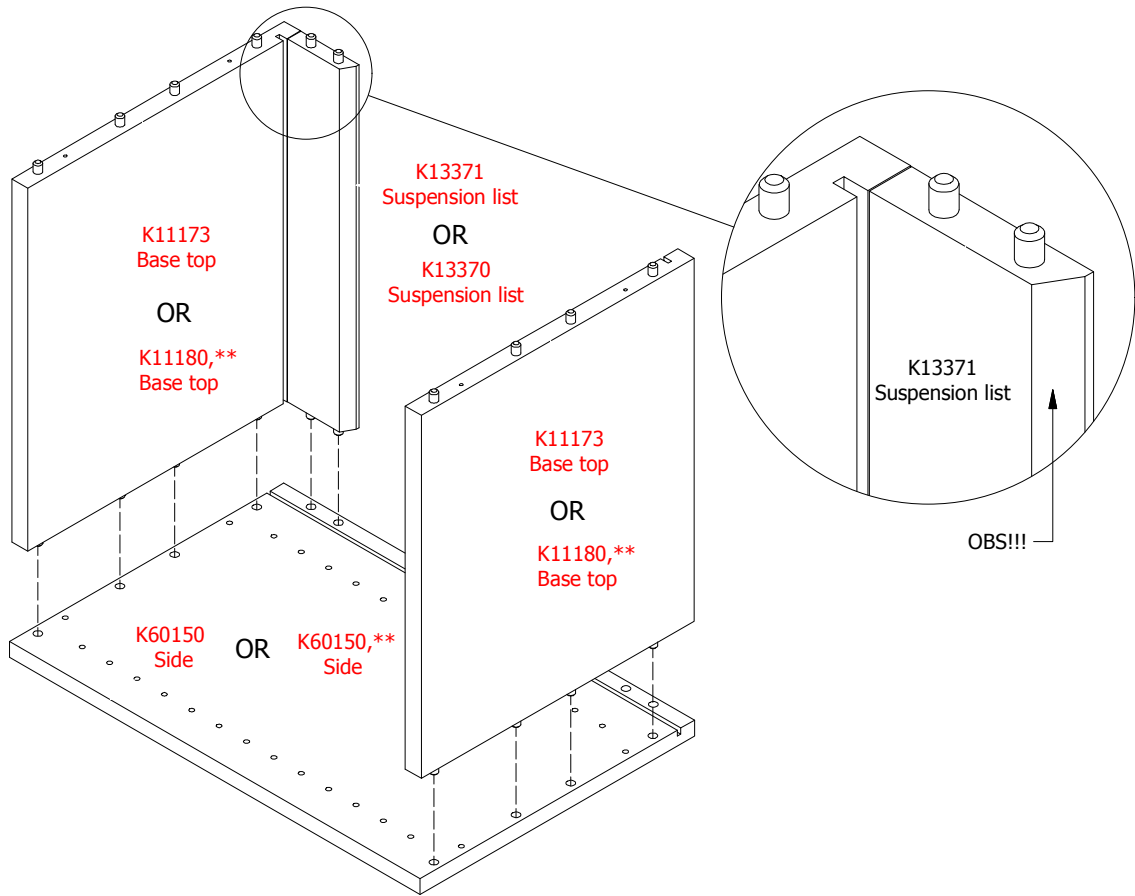


FIG. 2

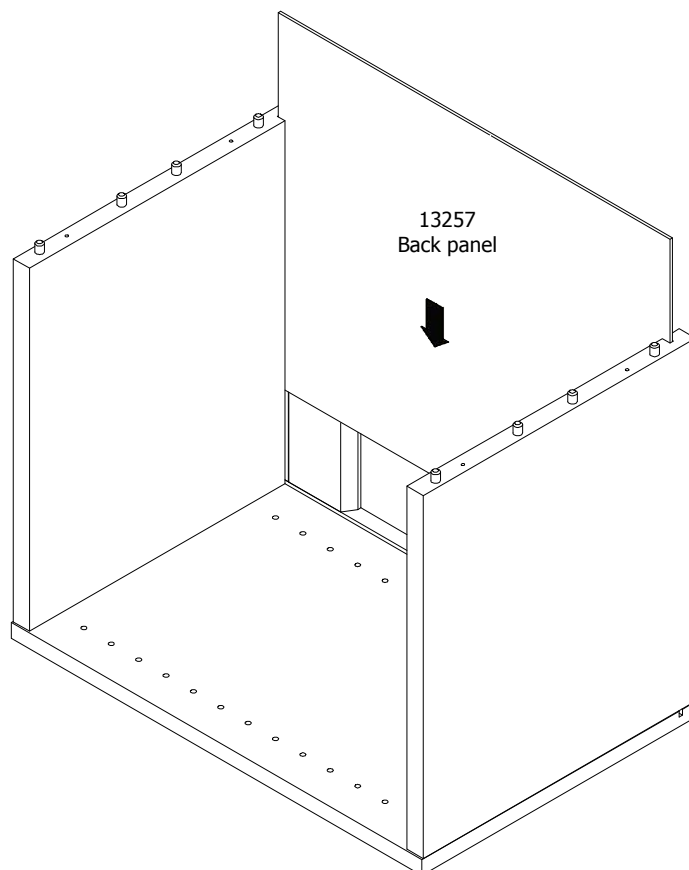


FIG. 3

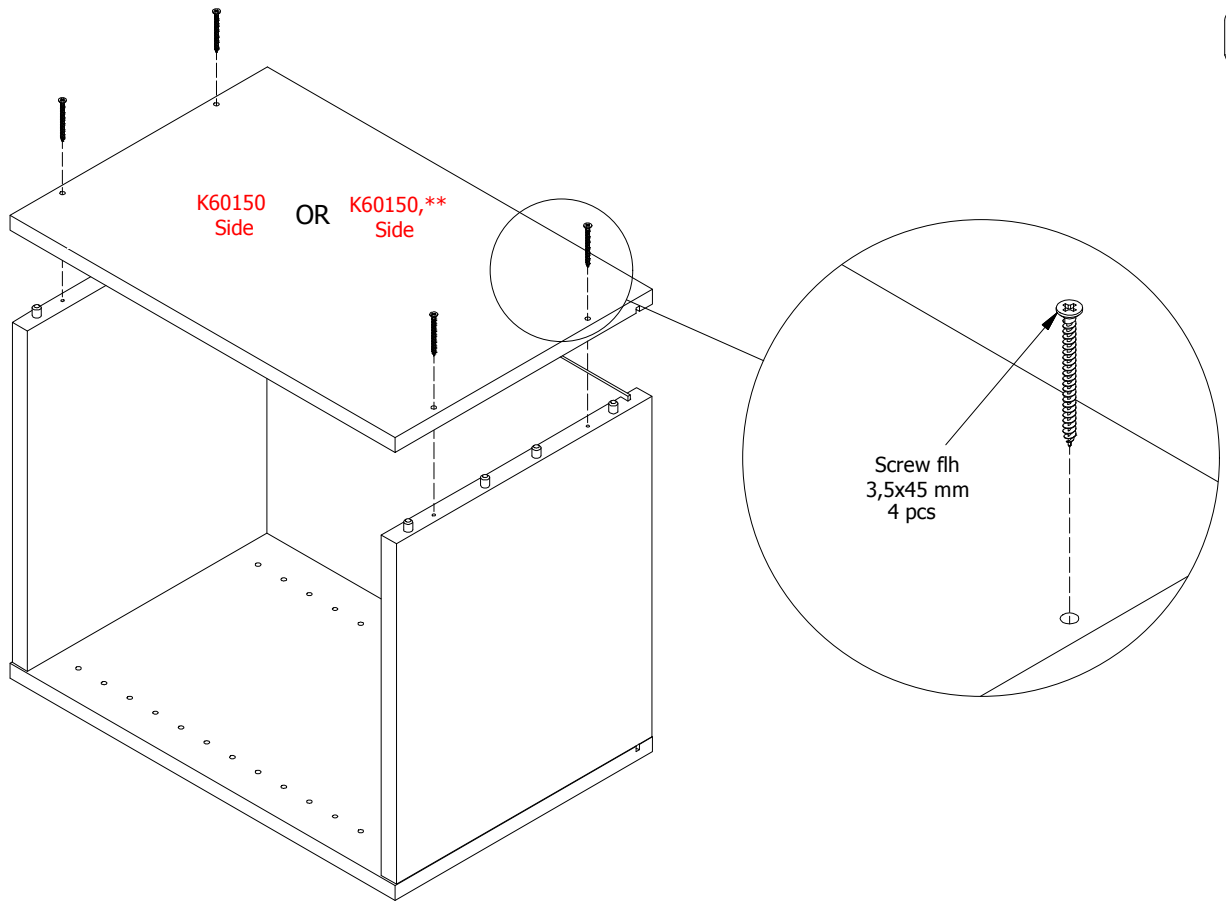


FIG. 4

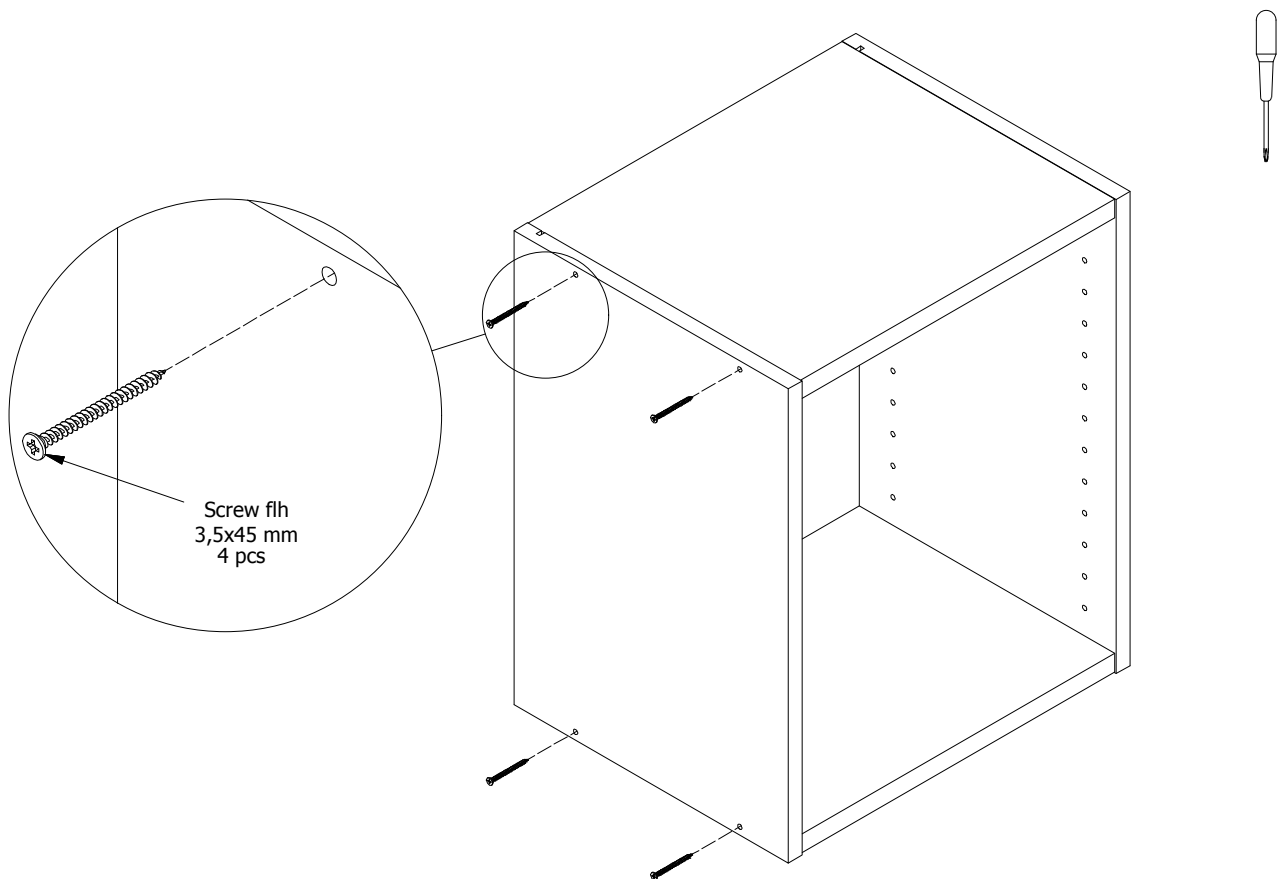


FIG. 5

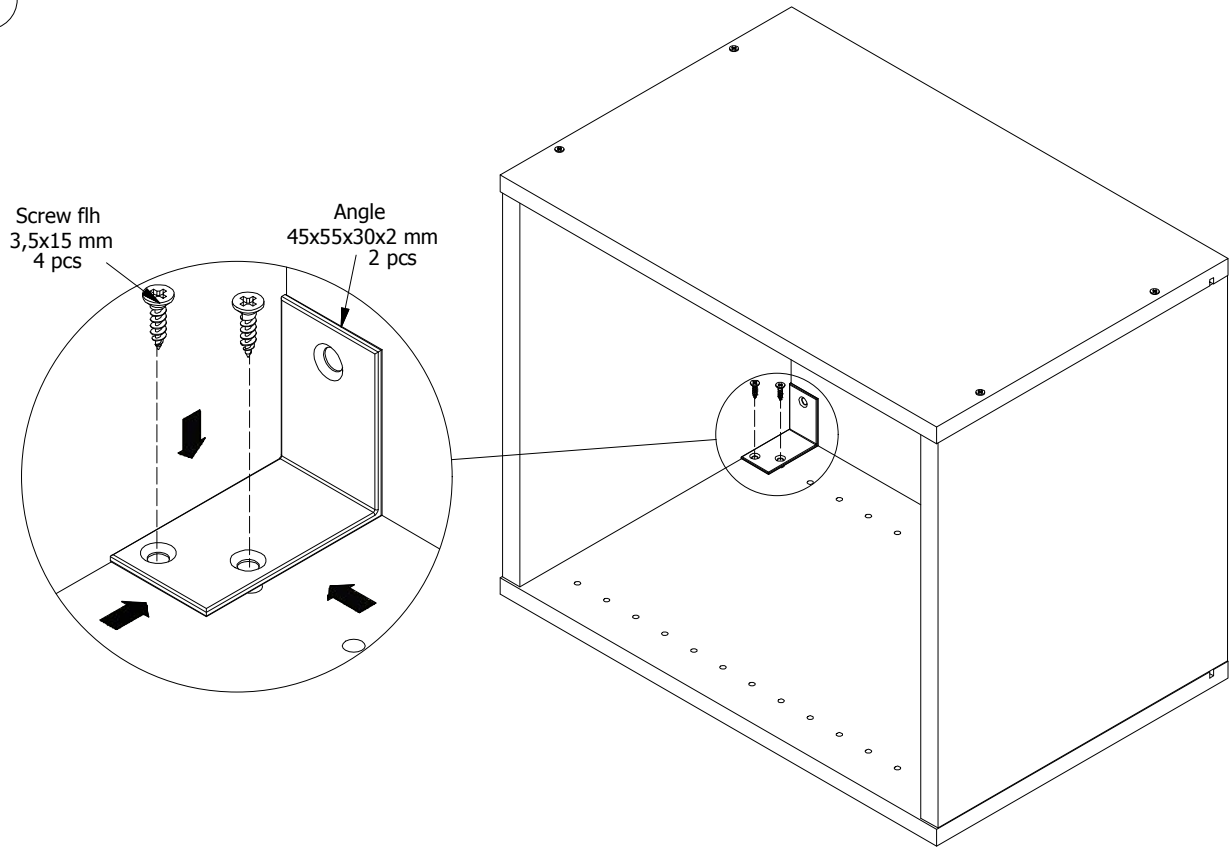


FIG. 6

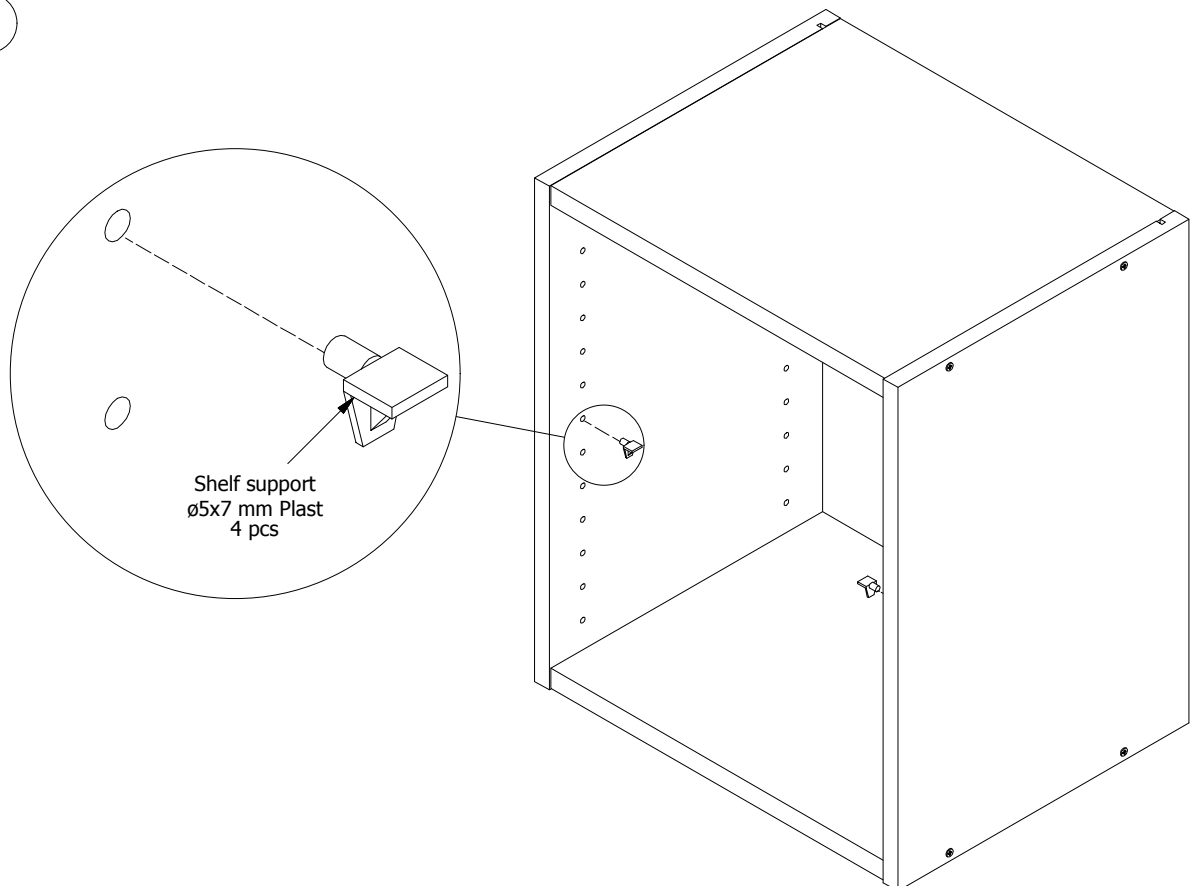


FIG. 7

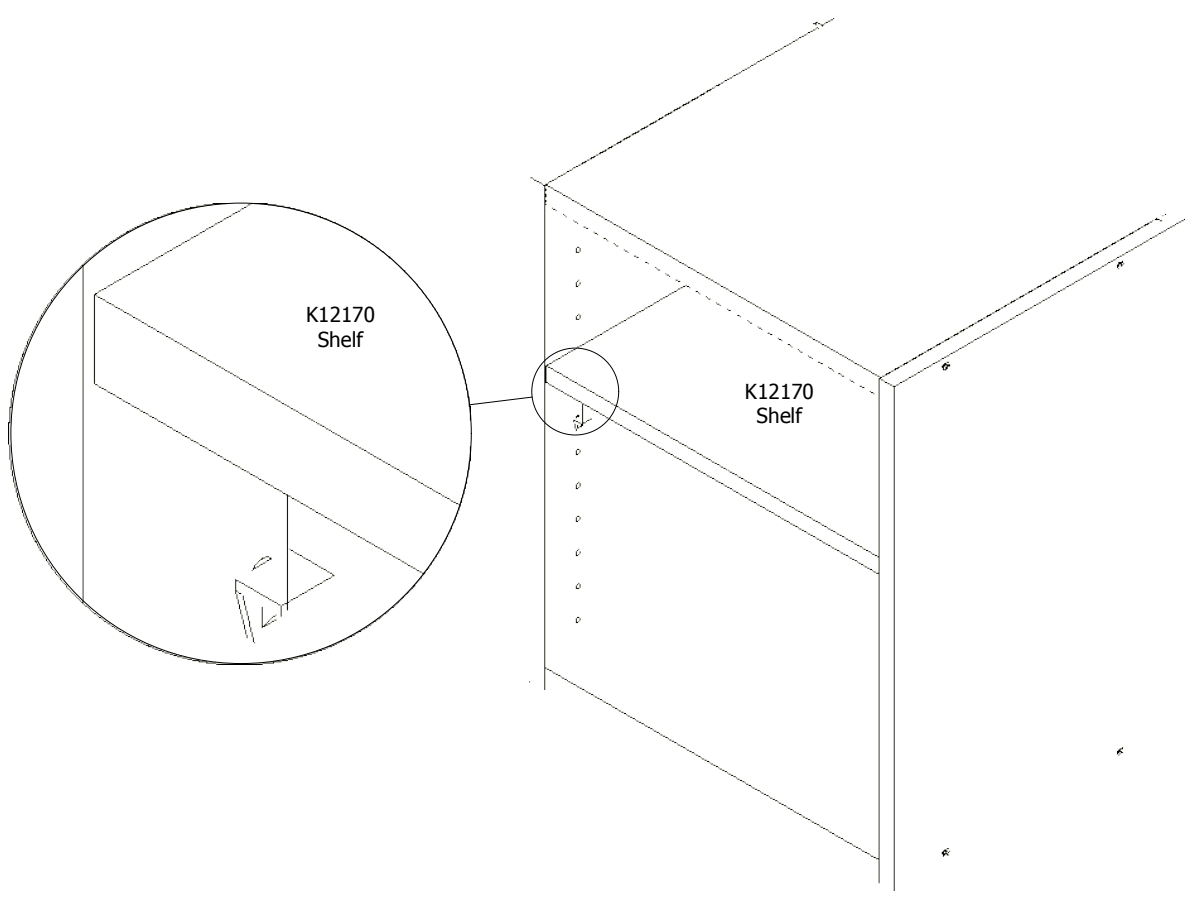


FIG. 8

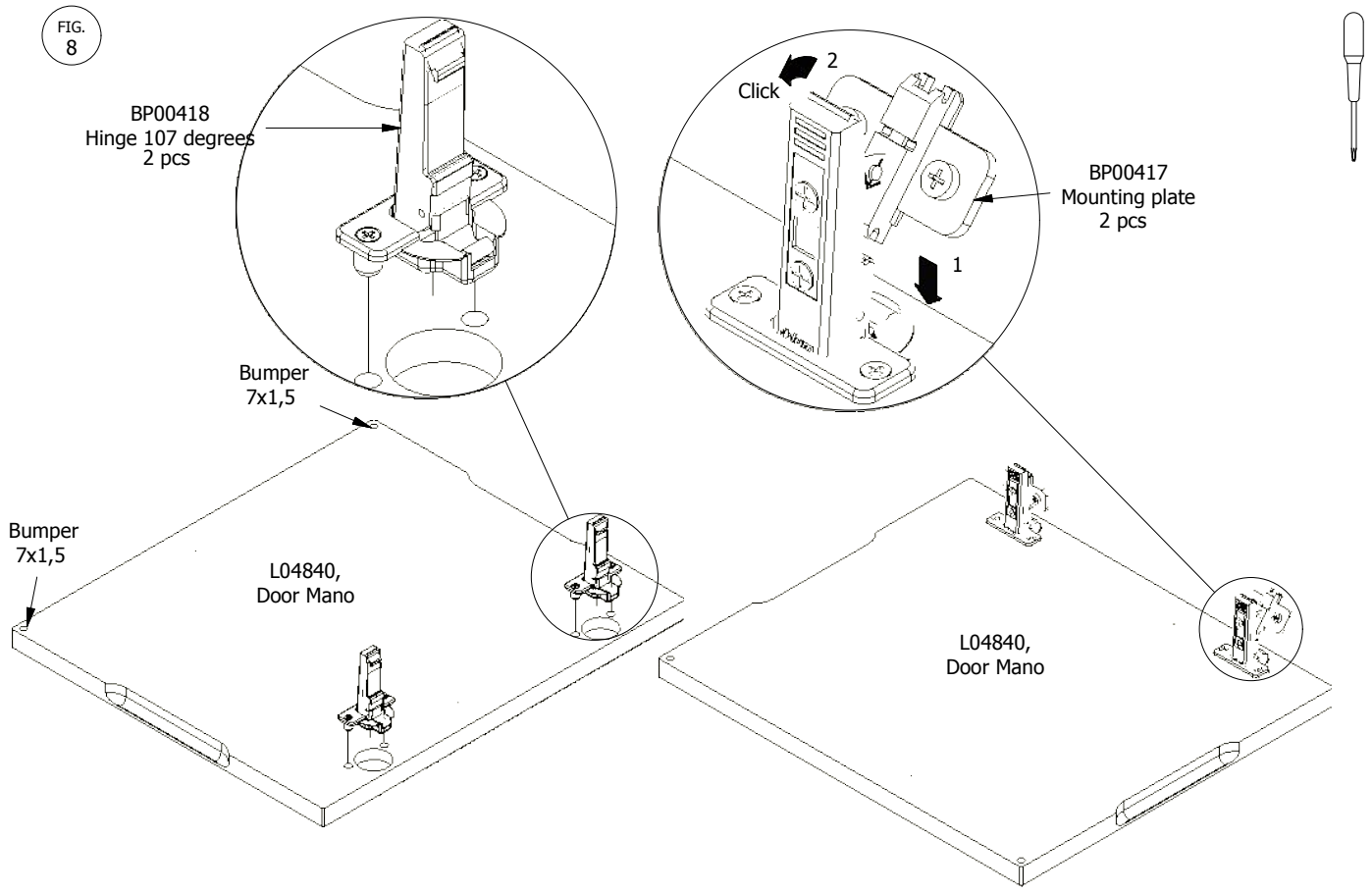


FIG. 9

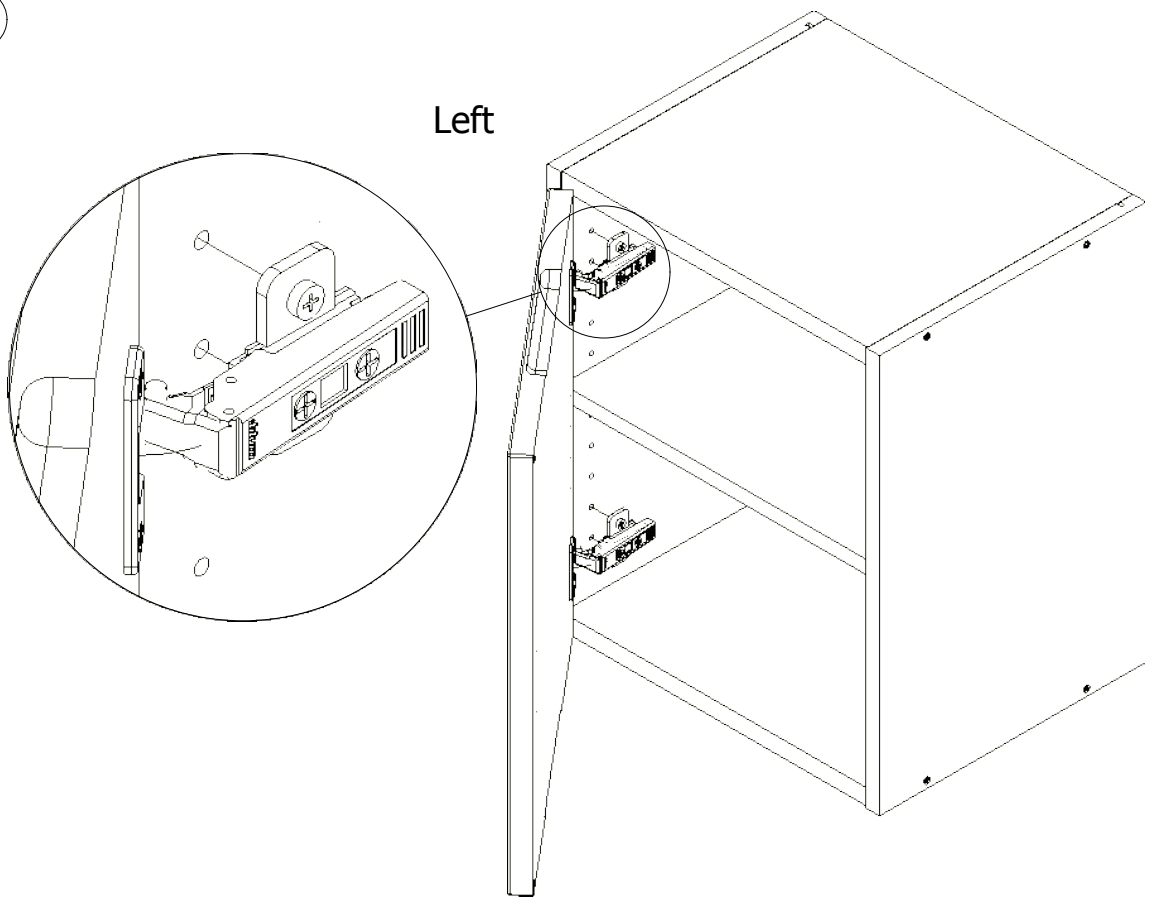
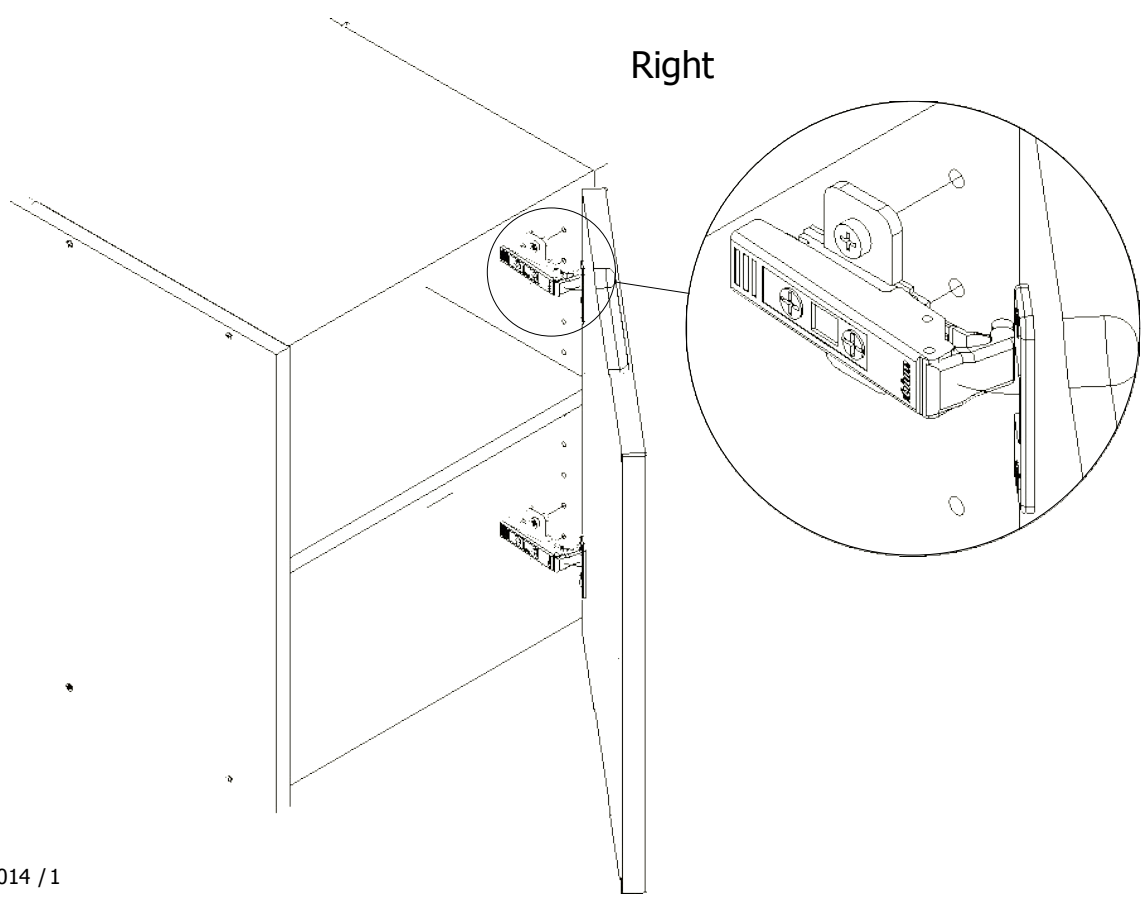


FIG. 10



---

## Adjustment

