

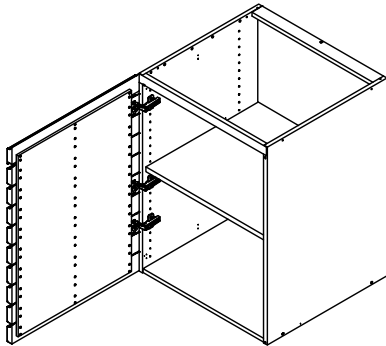
kvik



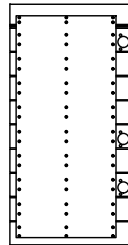
Check out easy
mounting of your kitchen

CU803,040-060

Left

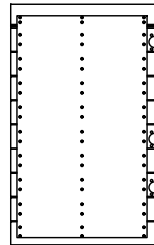


L08040V,Cima



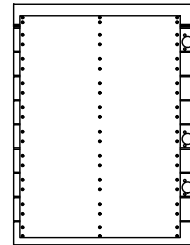
40 cm

L08050V,Cima



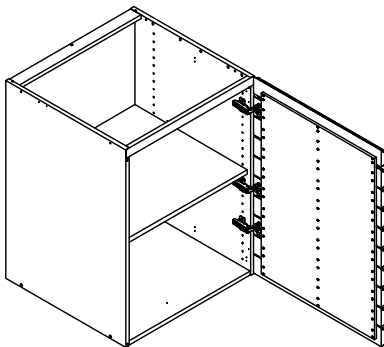
50 cm

L08060V,Cima

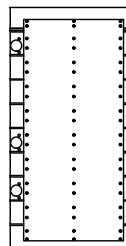


60 cm

Right

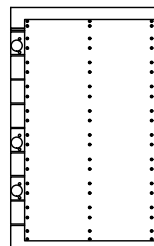


L08040H,Cima



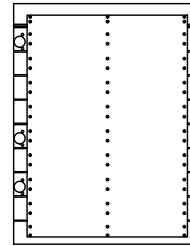
40 cm

L08050H,Cima

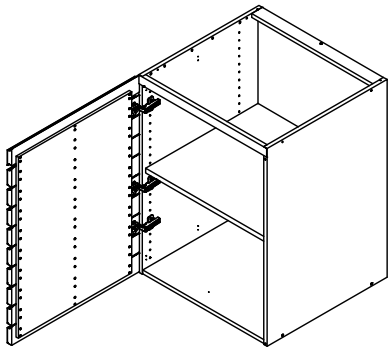


50 cm

L08060H,Cima



60 cm



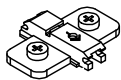
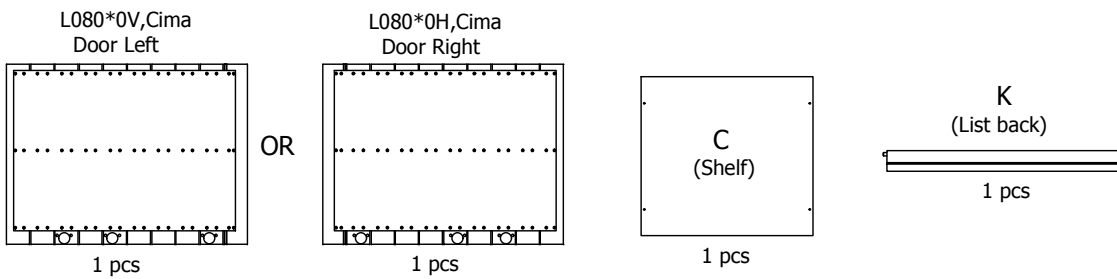
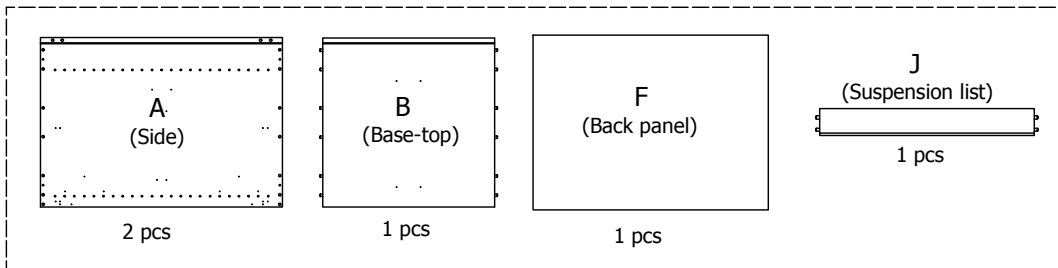
kvik 



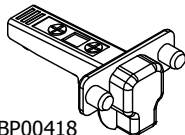
CU803,040-060

Check out easy
mounting of your kitchen

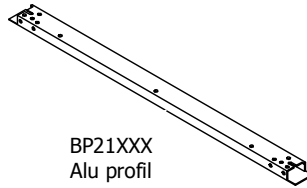
DU80,*,176**



BP00417
Mounting plate
3 pcs



BP00418
Hinge 107 degrees
3 pcs

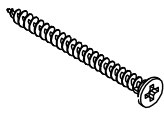


BP21XXX
Alu profil
1 pcs

BP00003-BP01905



Bumper
7x1,5 mm
1 pcs



Screw flh
3,5x45 mm
5 pcs



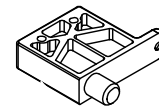
Shelf support
ø5x7 mm Plast
4 pcs



Screw flh
3,5x15 mm
2 pcs



Eurocrew
Ø4,2x9,5
4 pcs



BP01905
30,5x30,5 m/ Ø8
2 pcs

FIG. 1 Side Left

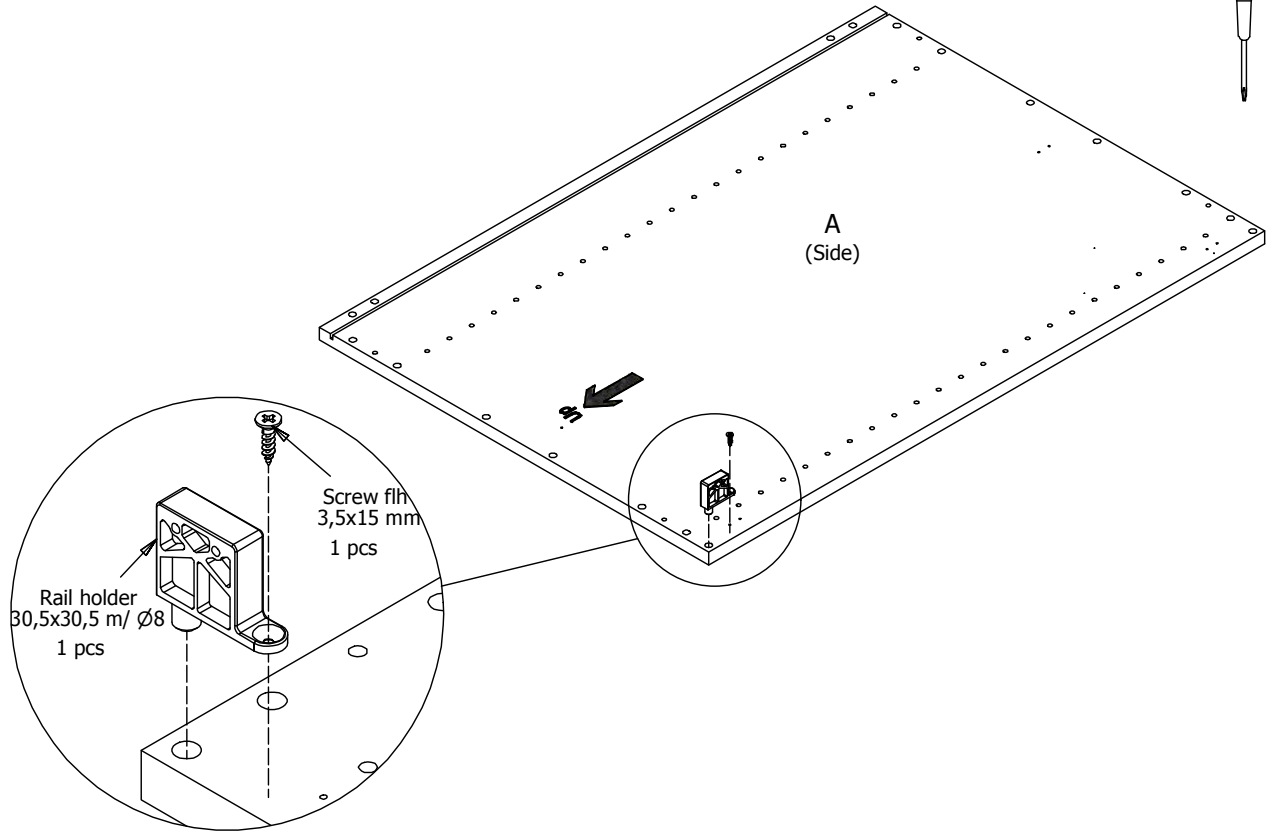


FIG. 2 Side Right

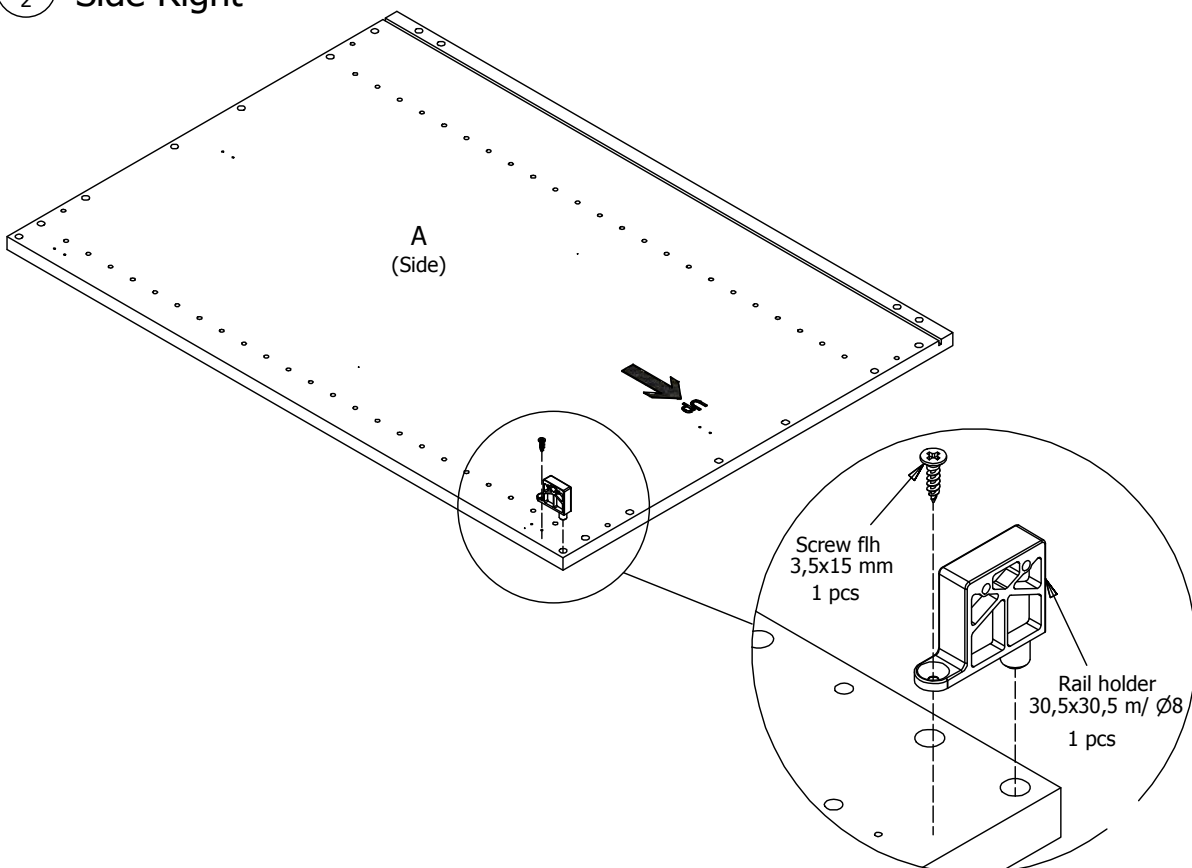


FIG. 3

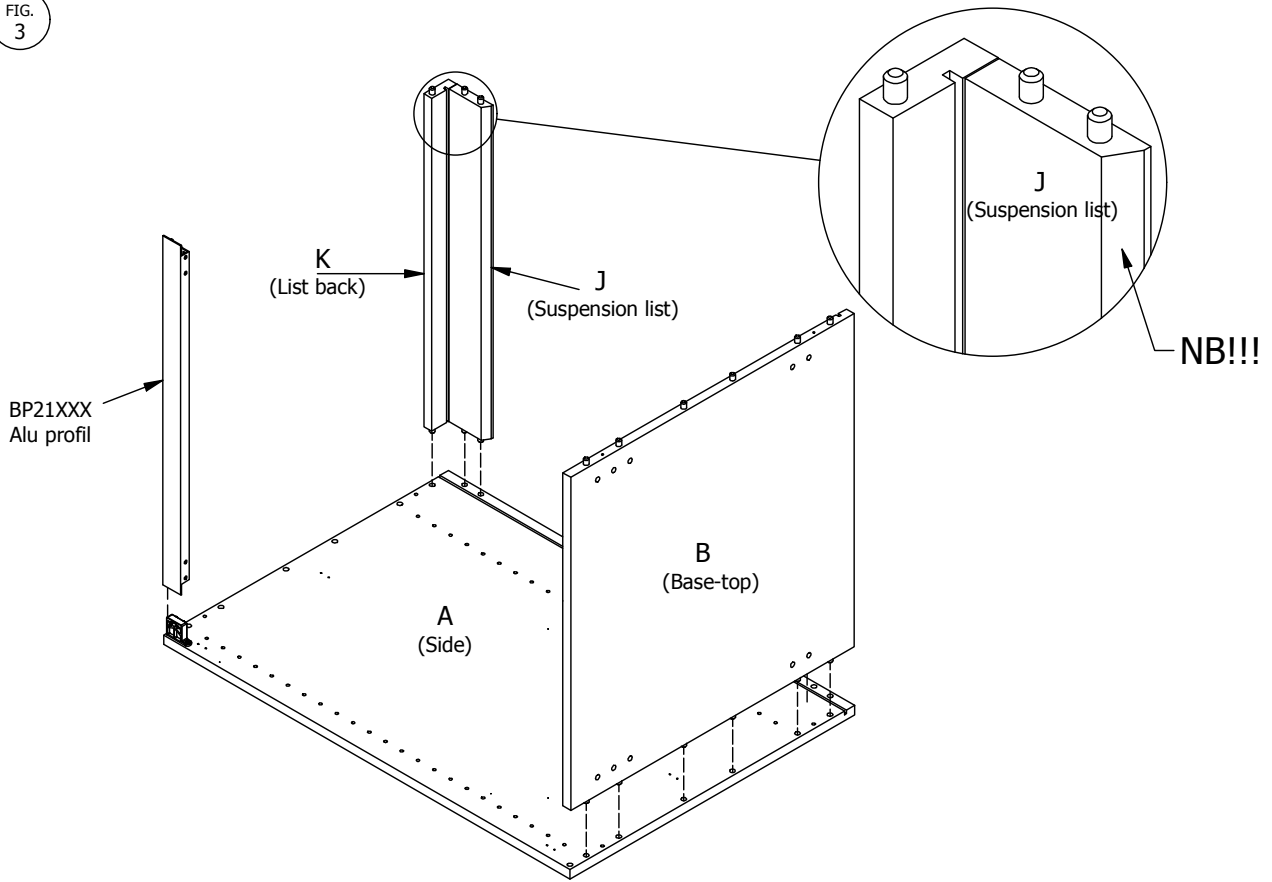


FIG. 4

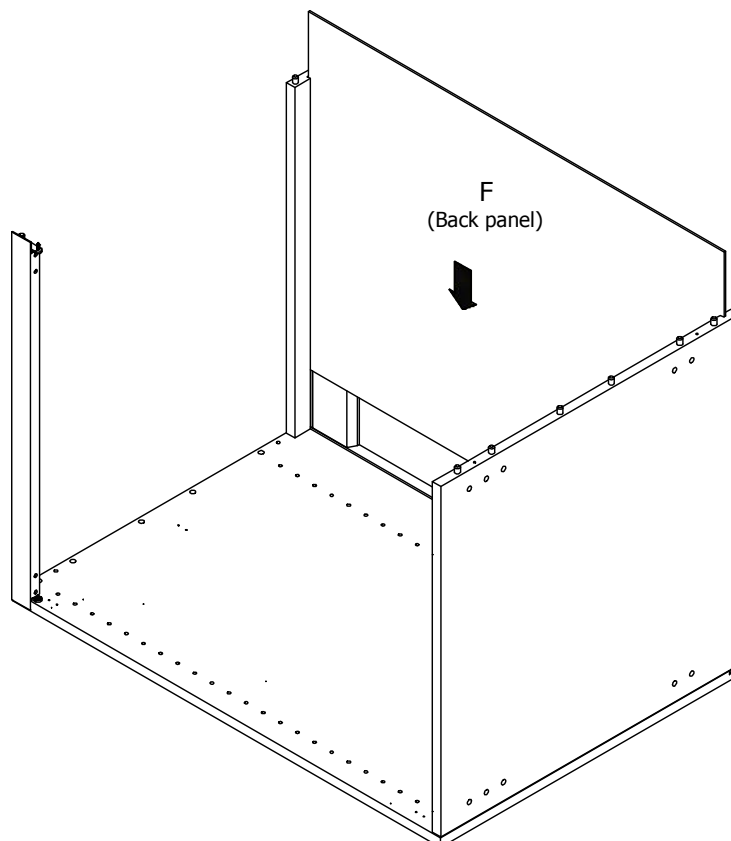


FIG. 5

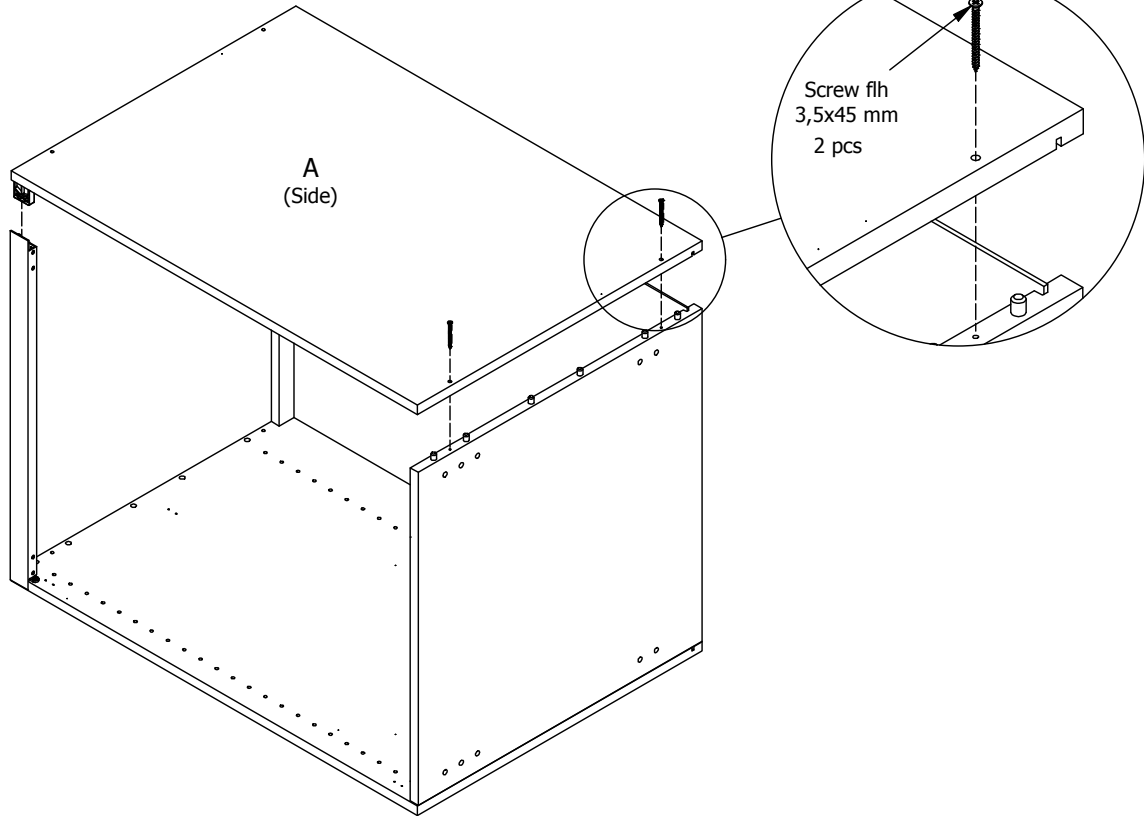


FIG. 6

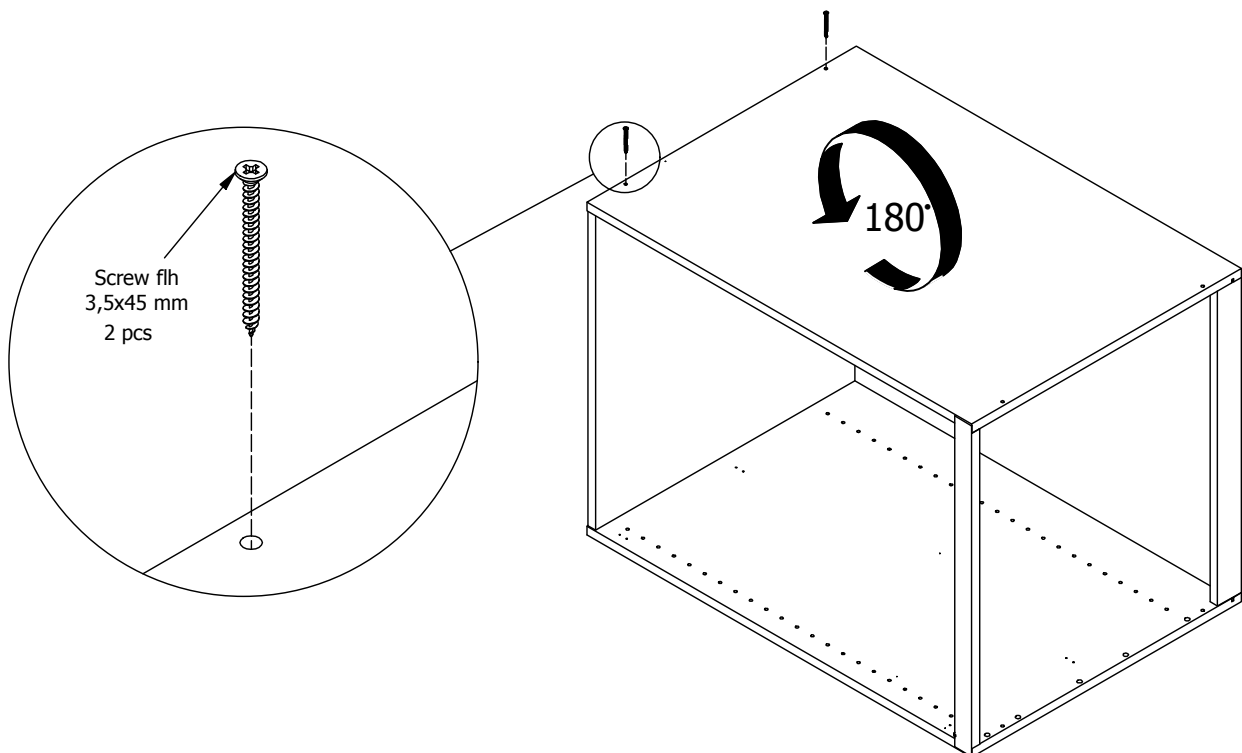


FIG. 7

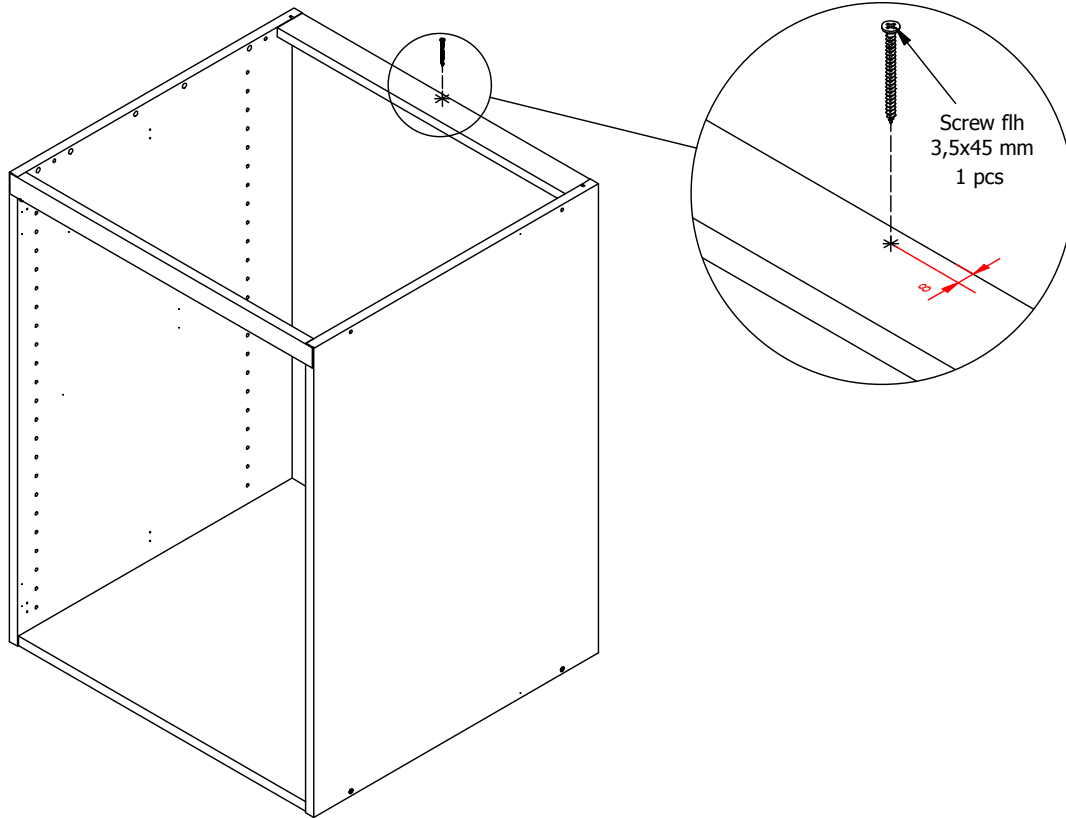


FIG. 8

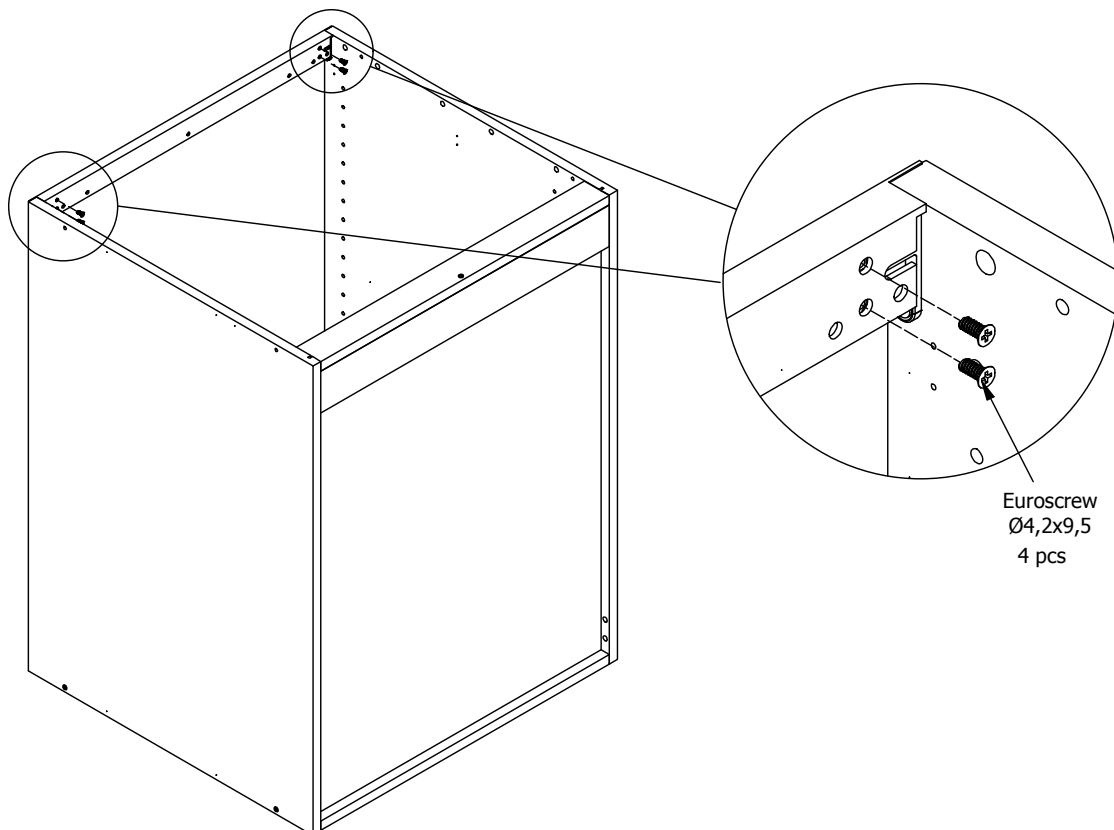


FIG. 9

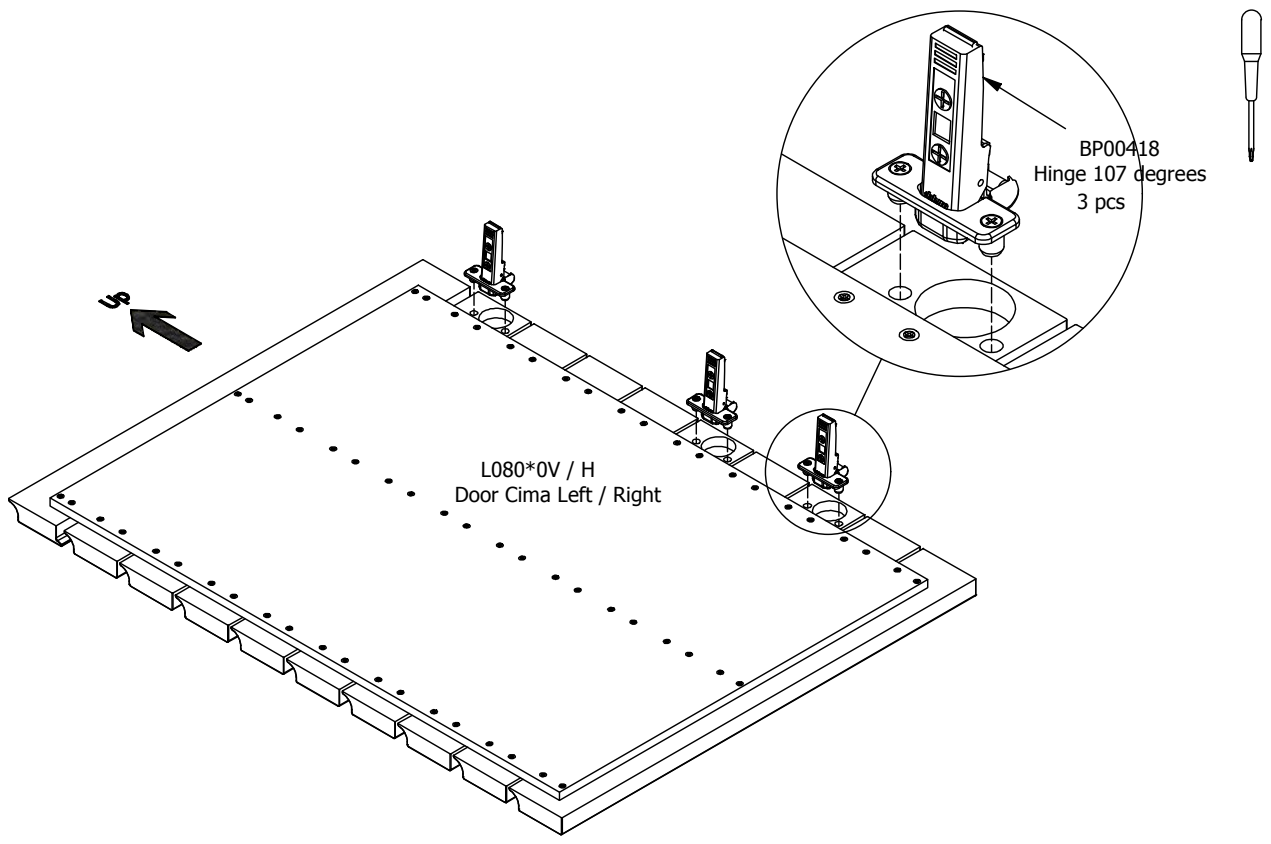


FIG. 10

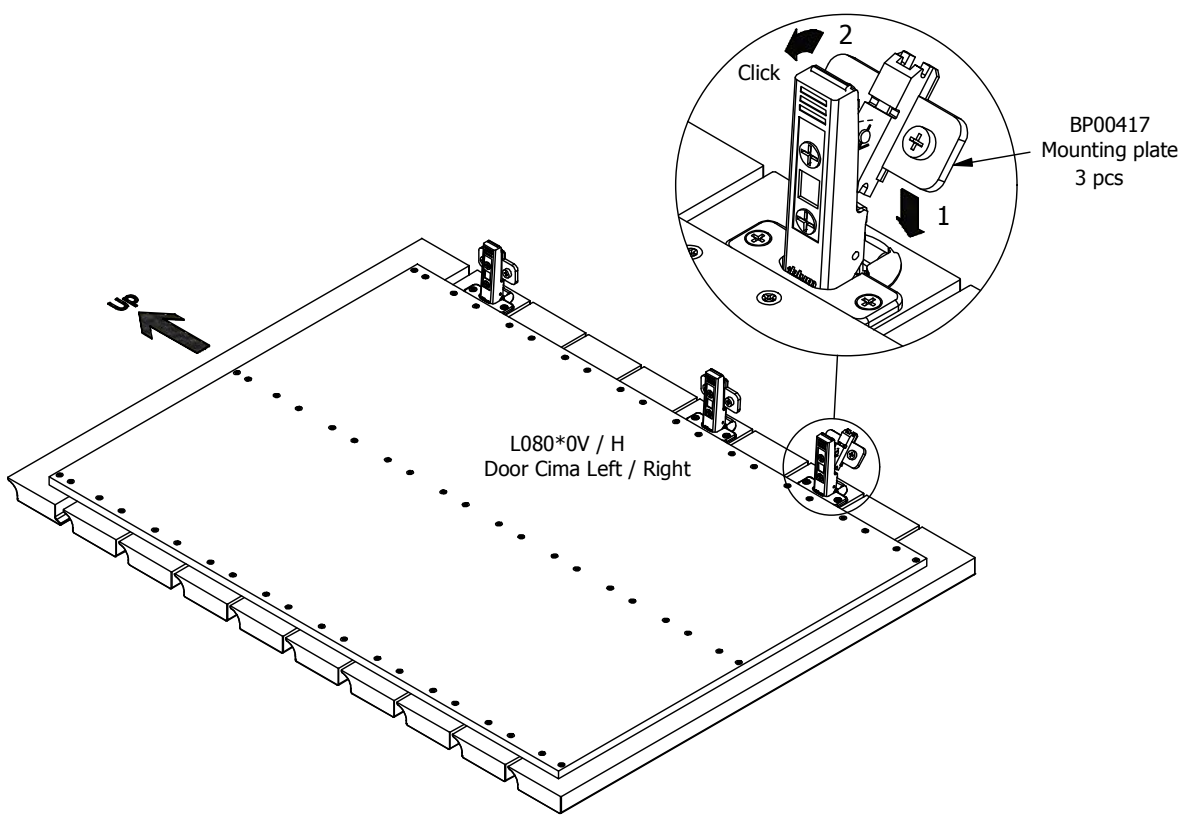
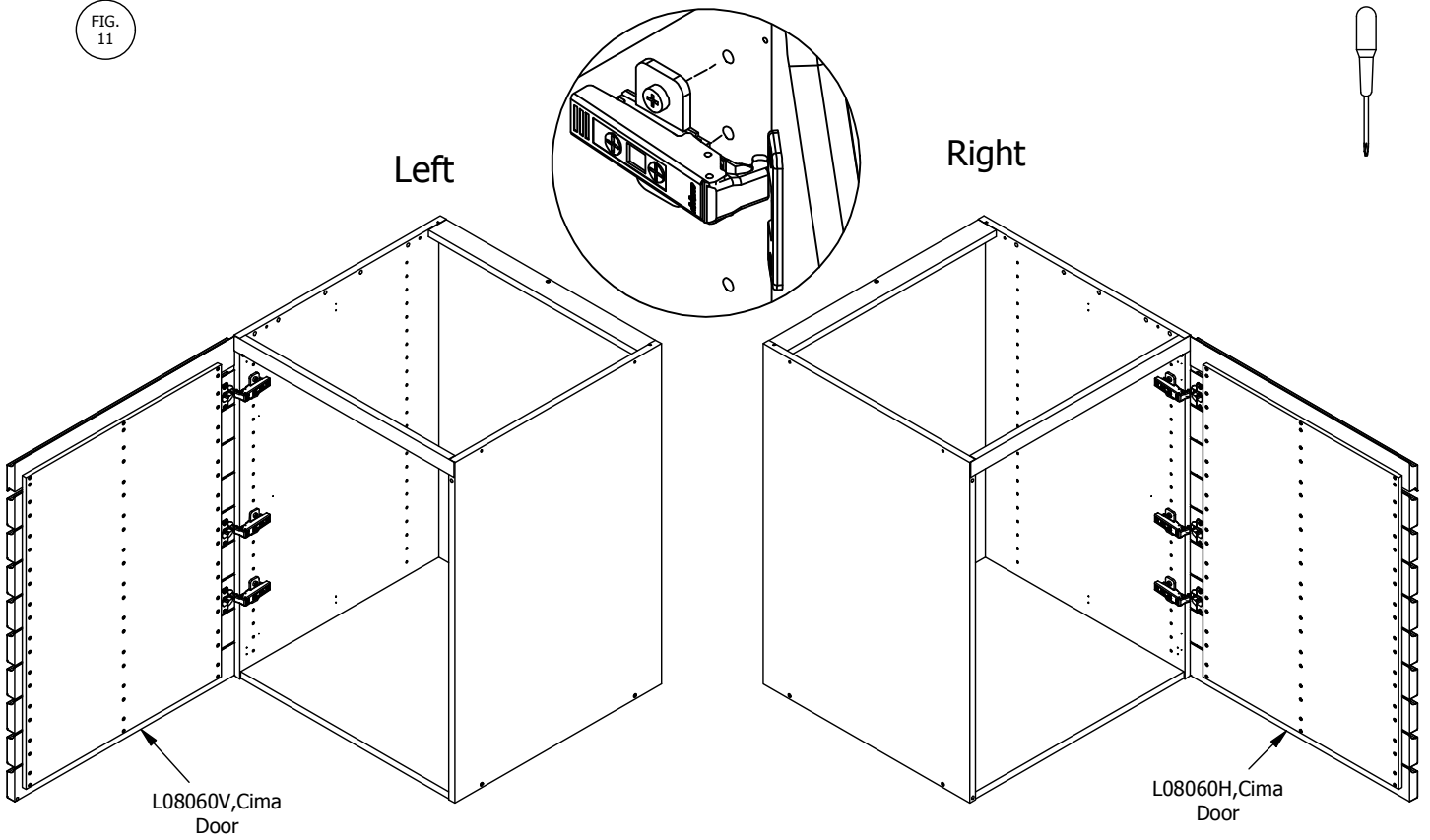


FIG. 11



Adjustment

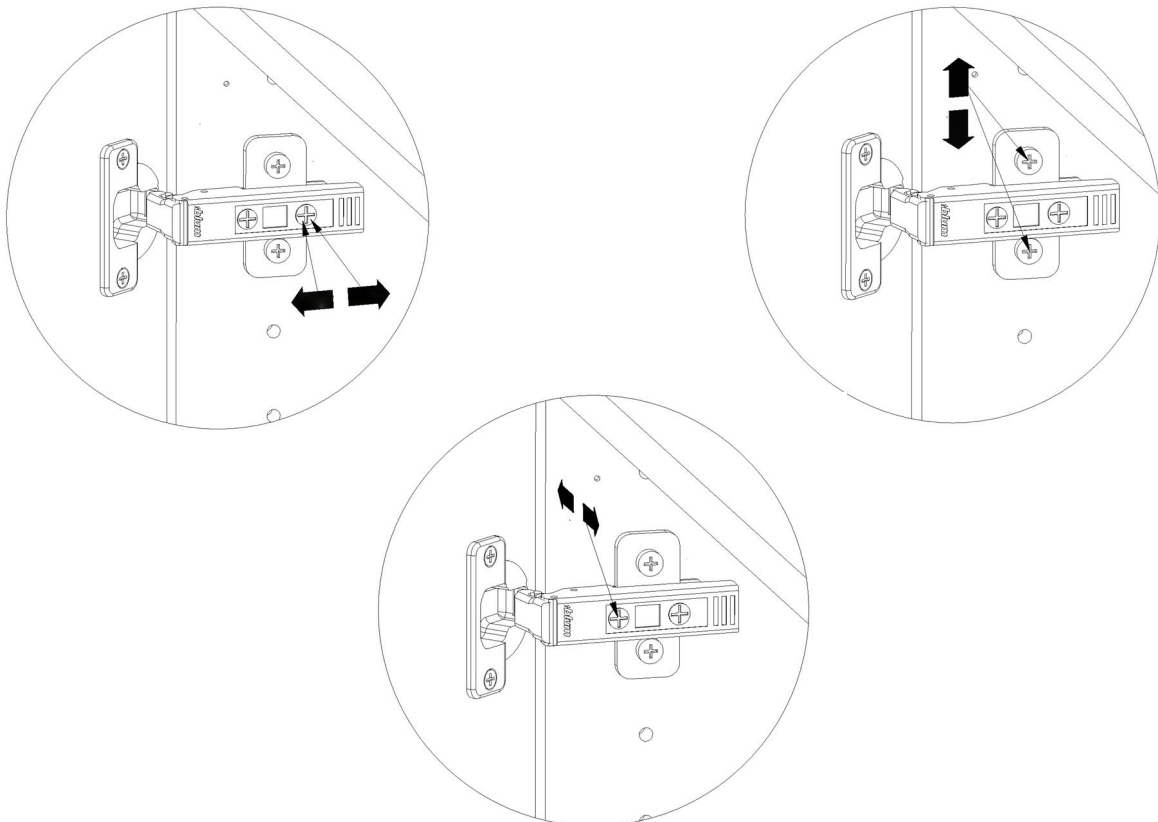


FIG. 12

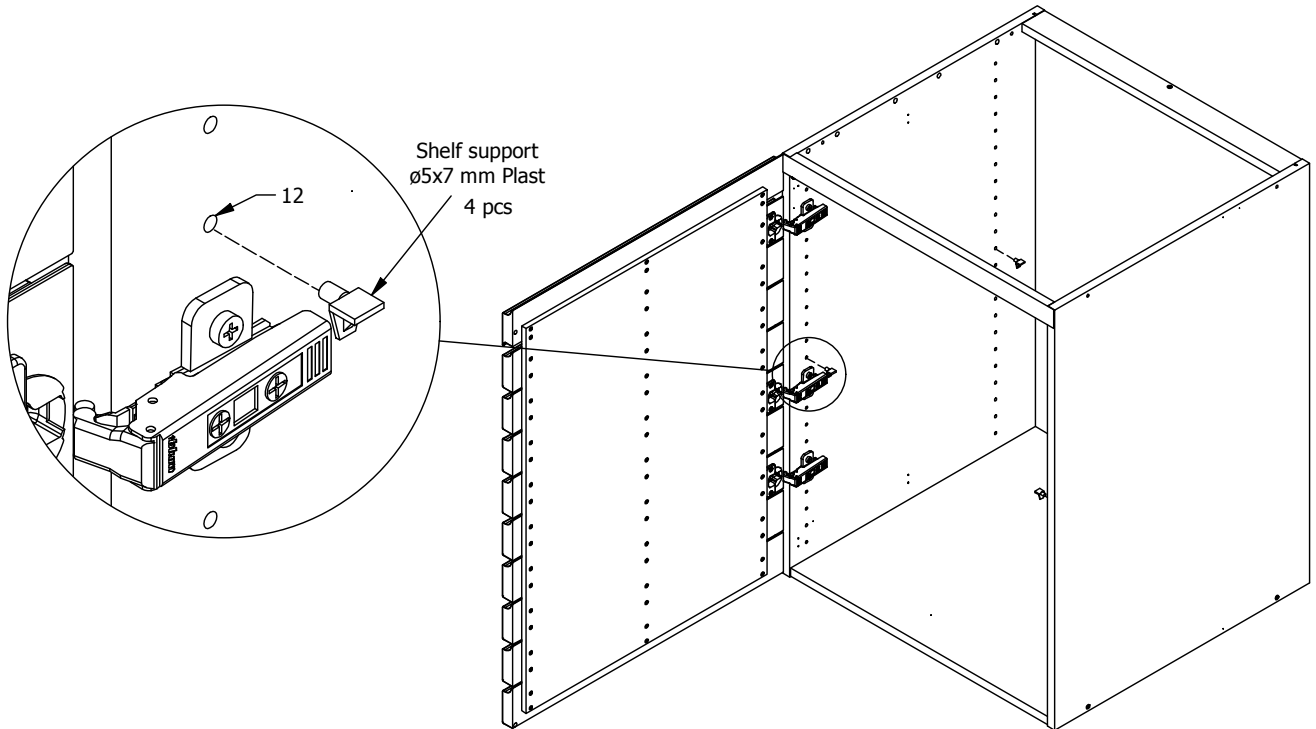


FIG. 13

