

kvik



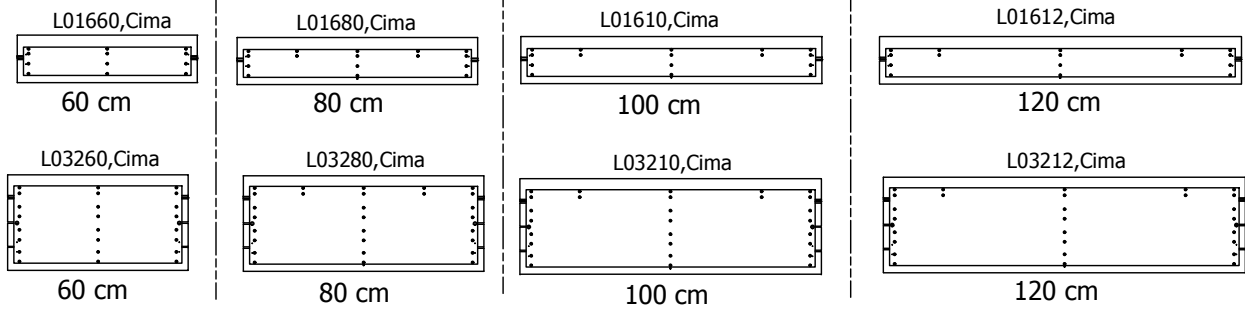
Check out easy
mounting of you bath

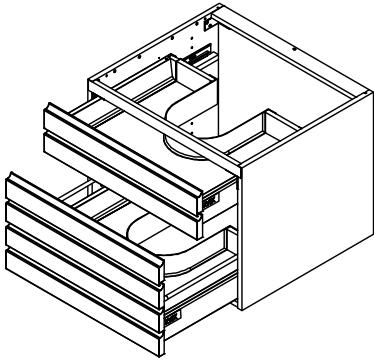
CDBU4807



Sink cut out

Front with integrated handle





kvik 

CDBU4807

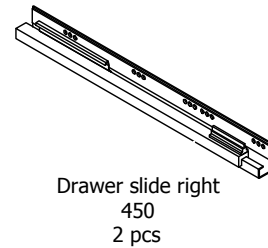
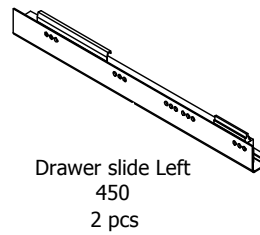
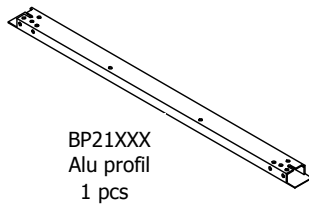
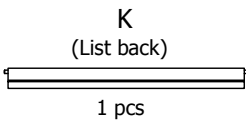
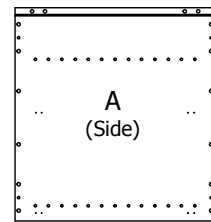
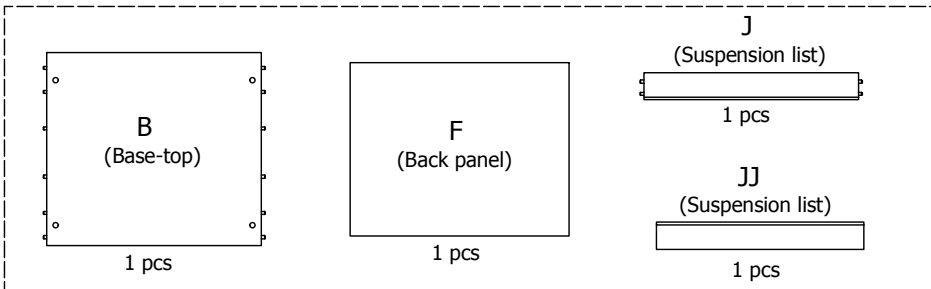


Check out easy
mounting of you bath

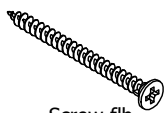


Sink cut out

BU51**,176



BP00265-BP00250-BP00340



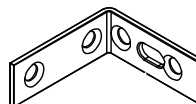
Screw flh
3,5x45 mm
1 pcs



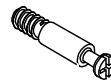
Screw flh
3,5x15 mm
22 pcs



Euro screw
6,3x11 mm
8 pcs



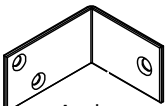
Angle
46x43 mm
2 pcs



Fitting bolt
Ø5/11x24
4 pcs



Fitting house
Ø15x11,7 mm
4 pcs



Angle
45x55x30x2 mm
2 pcs

FIG. 1 Side Left

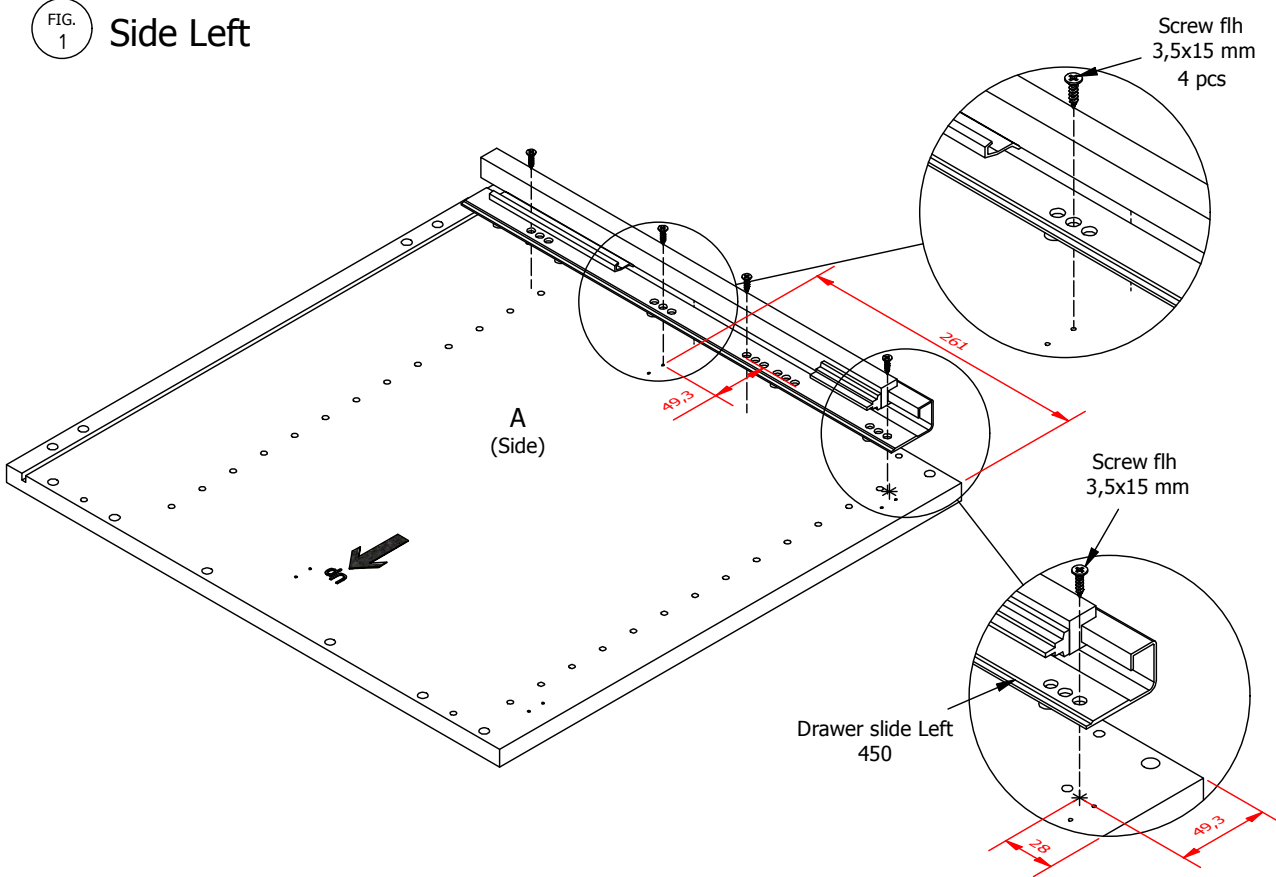


FIG. 2 Side Right

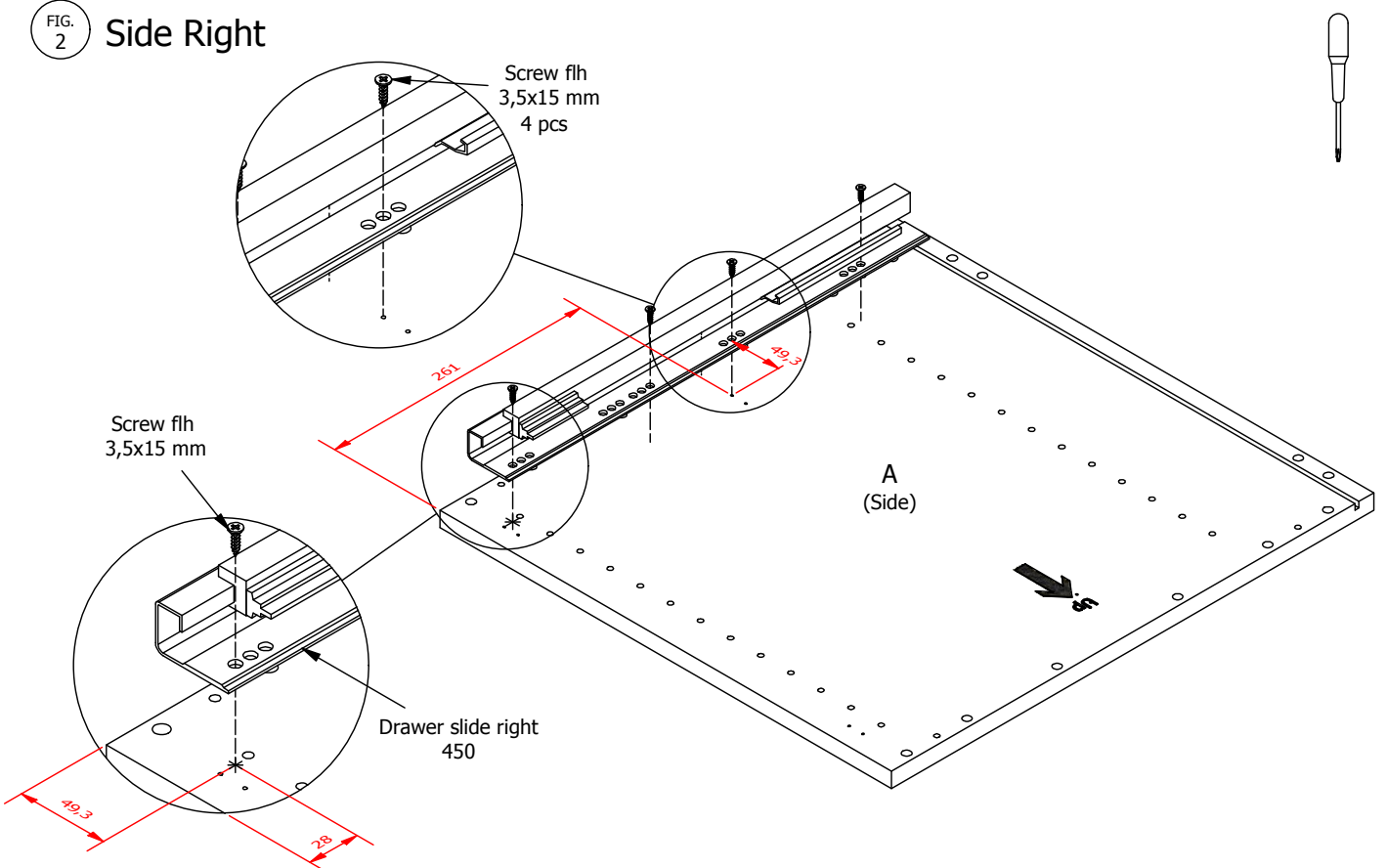


FIG. 3 Side Left

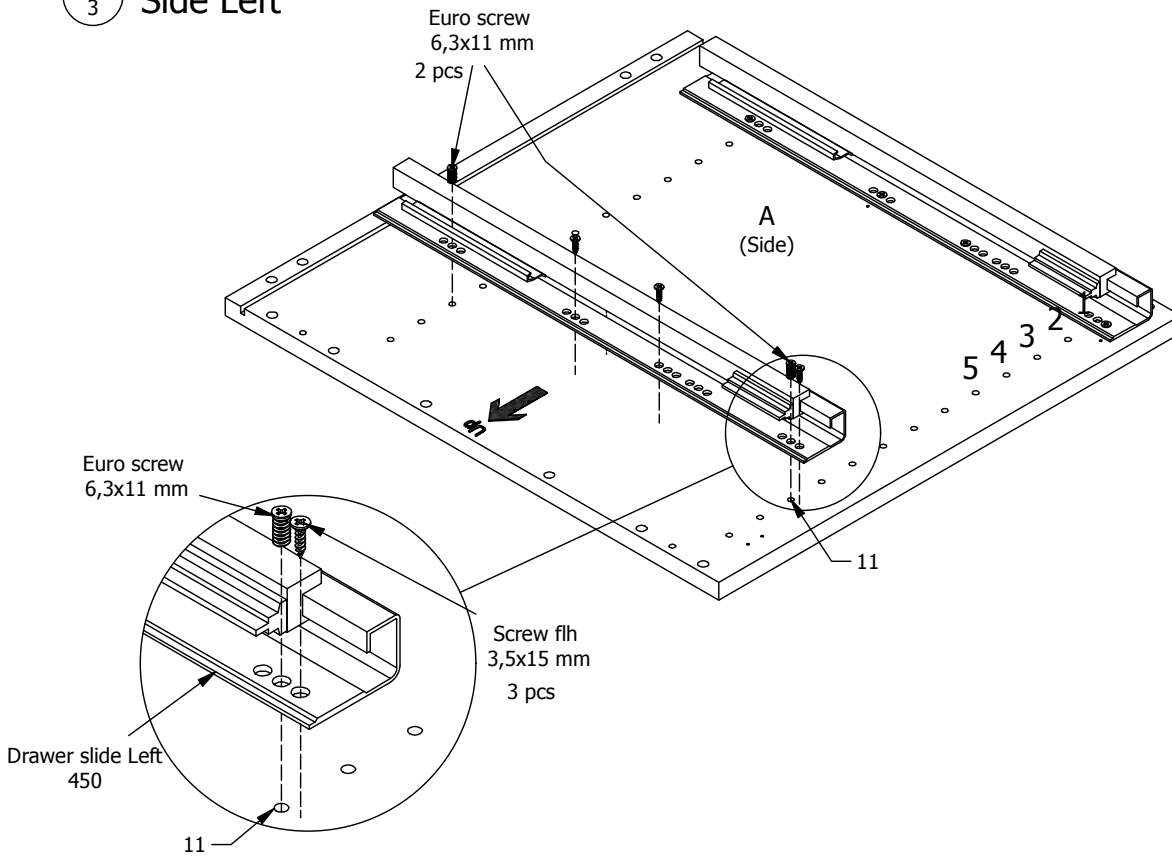


FIG. 4 Side Right

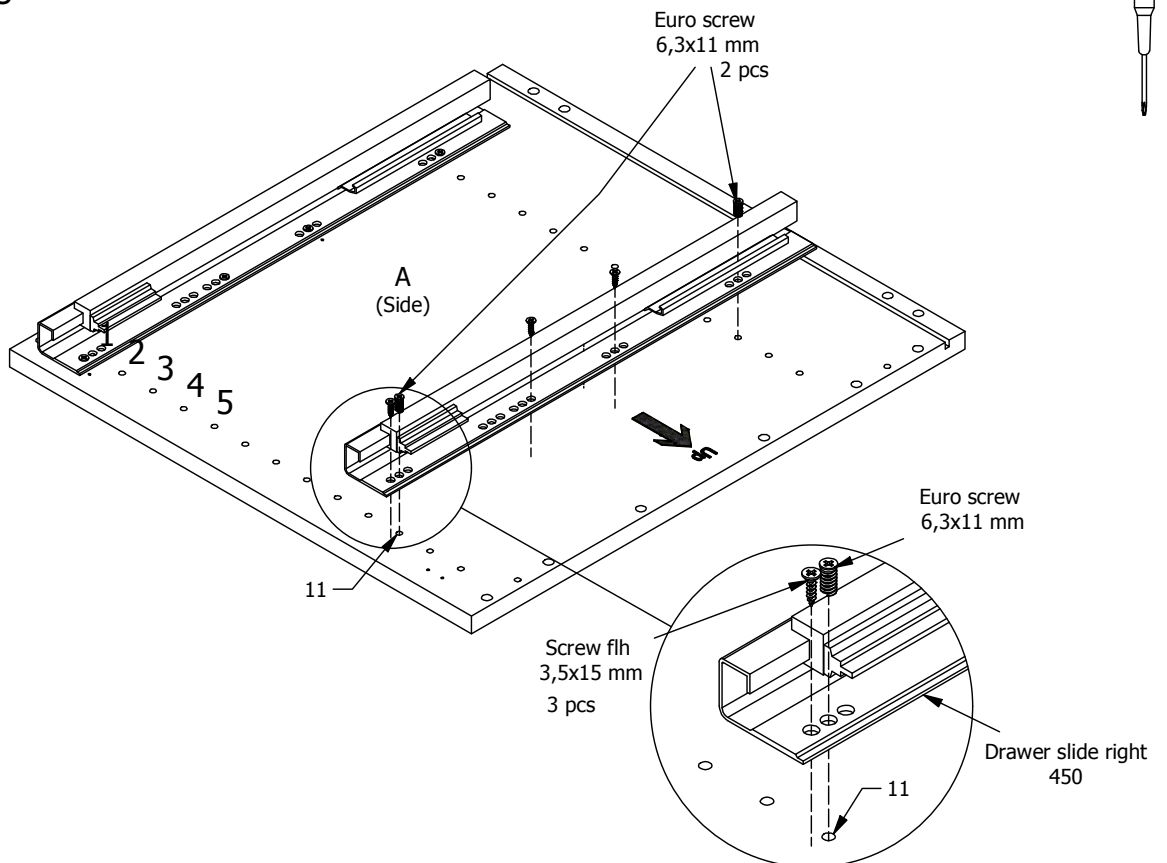


FIG. 5

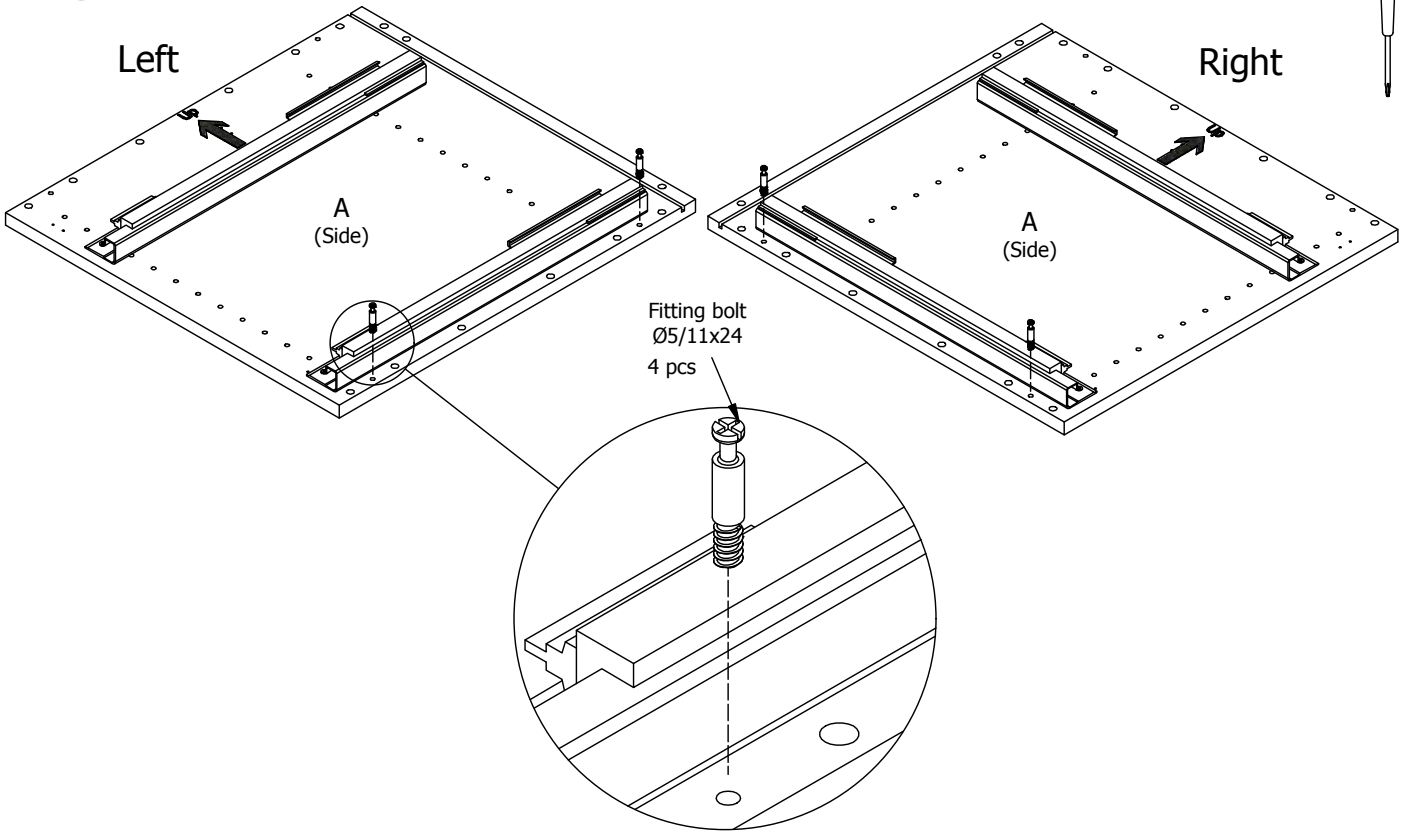


FIG. 6

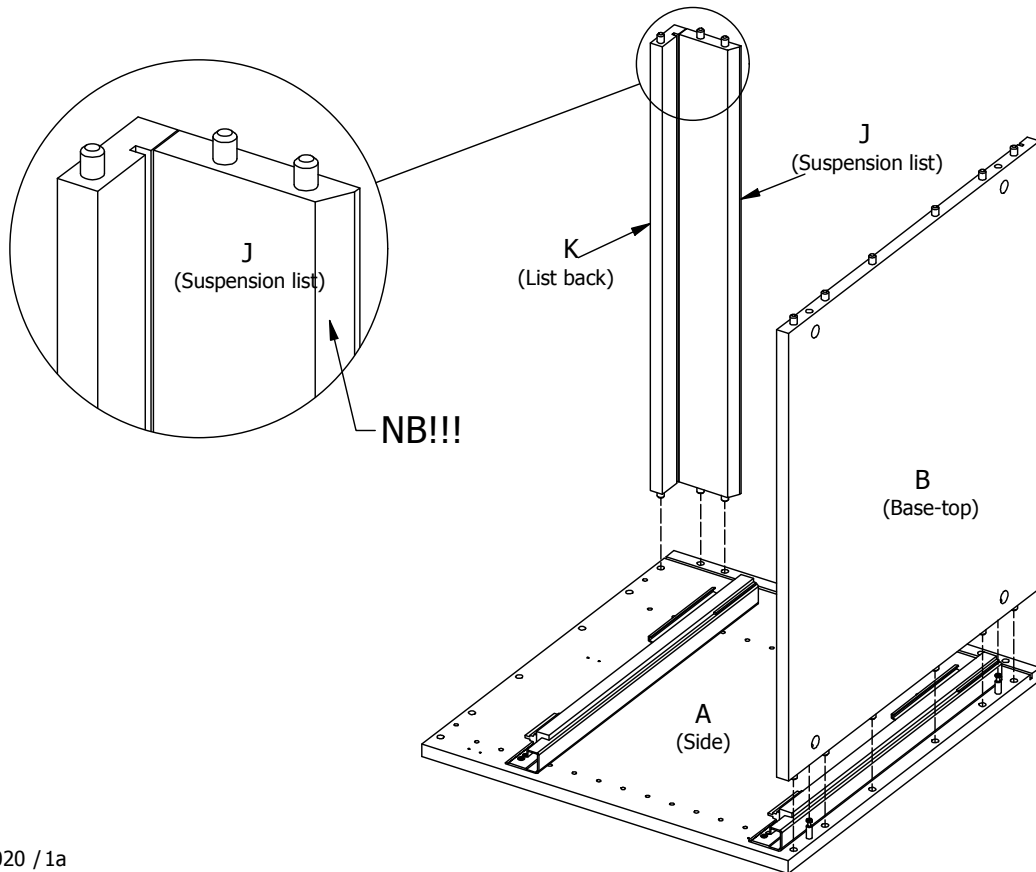


FIG.
7

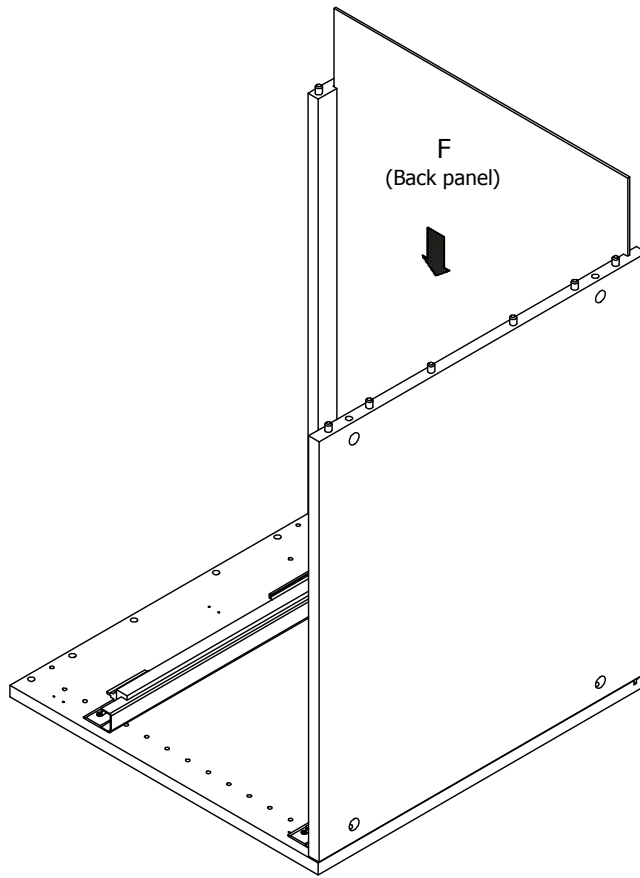


FIG.
8

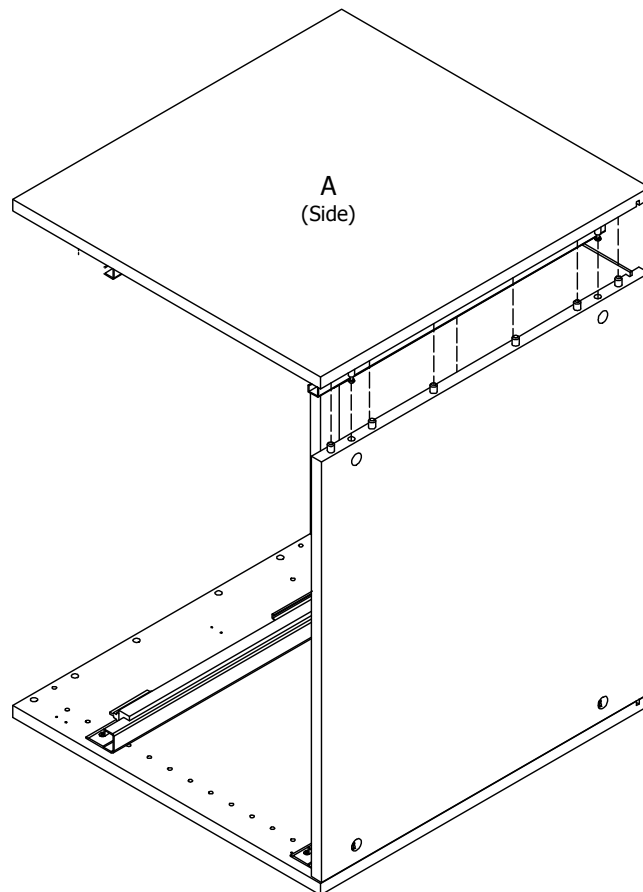


FIG. 9

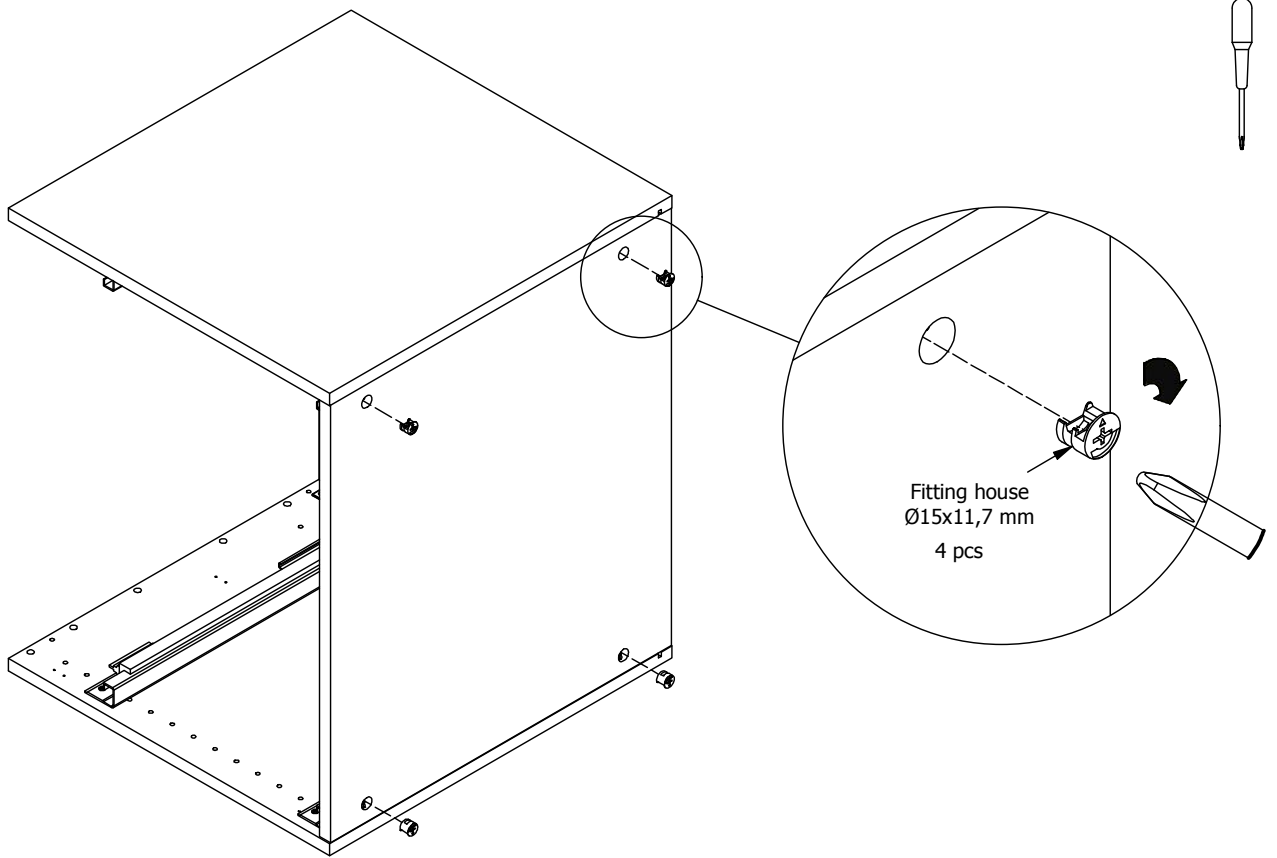


FIG. 10

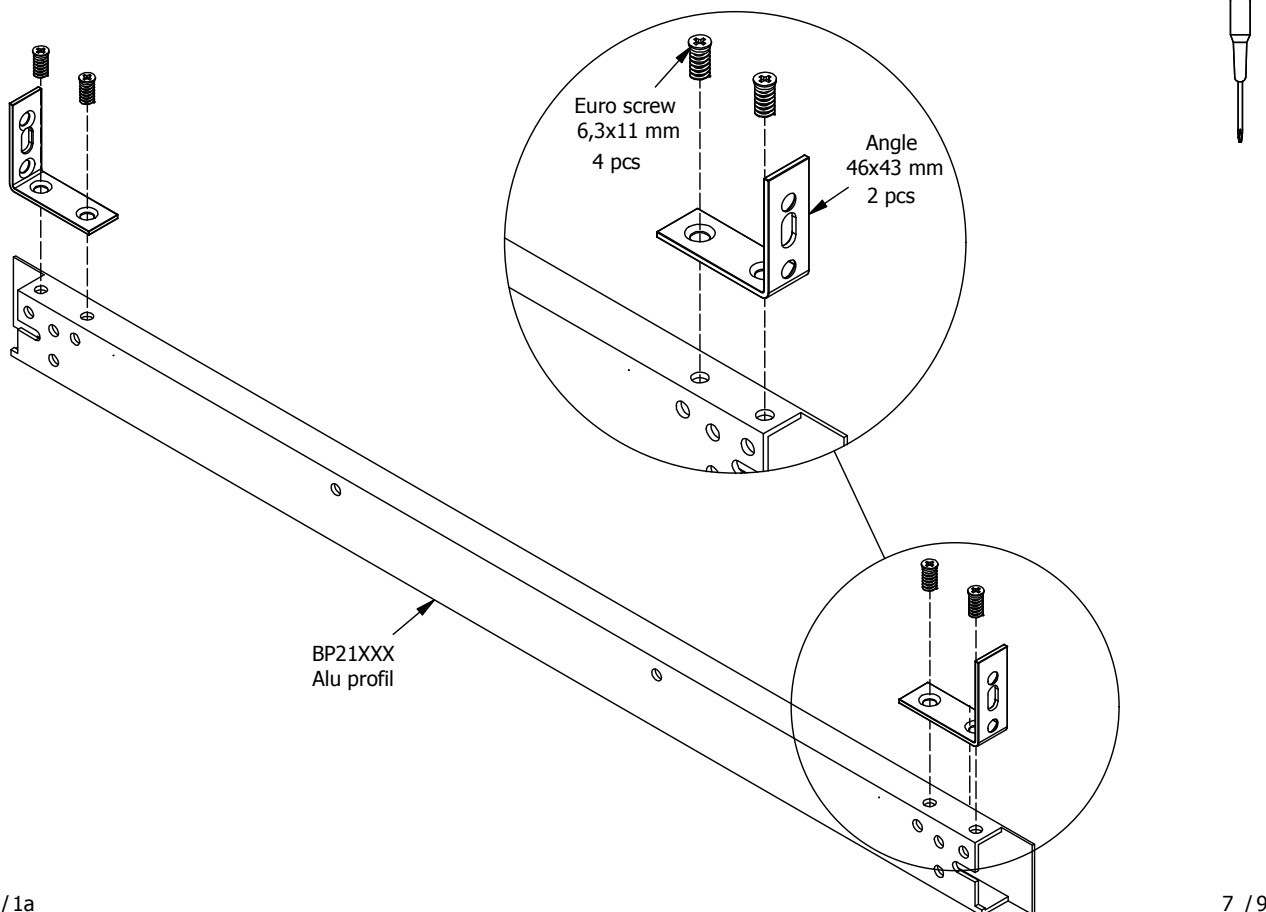


FIG. 11

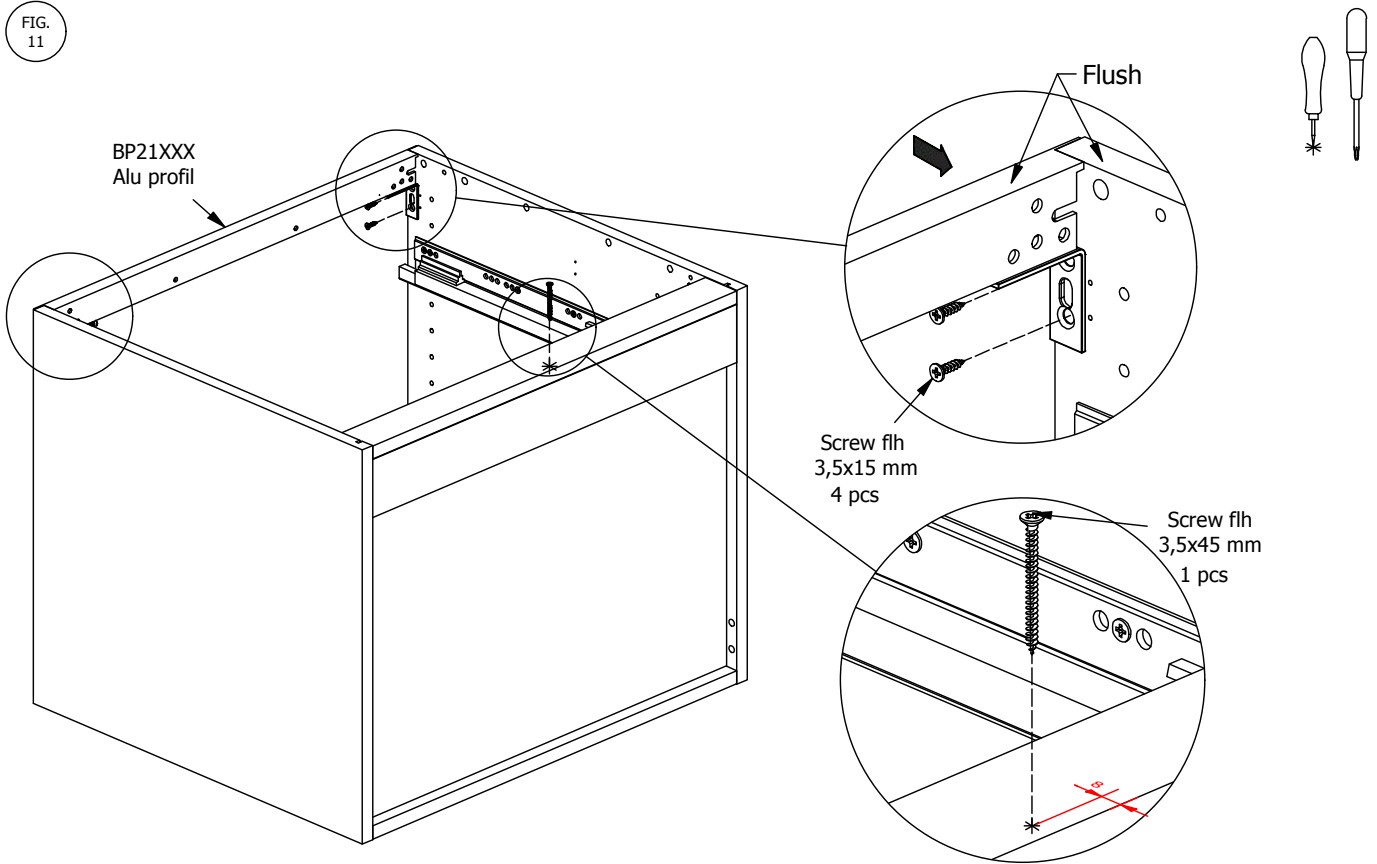


FIG. 12

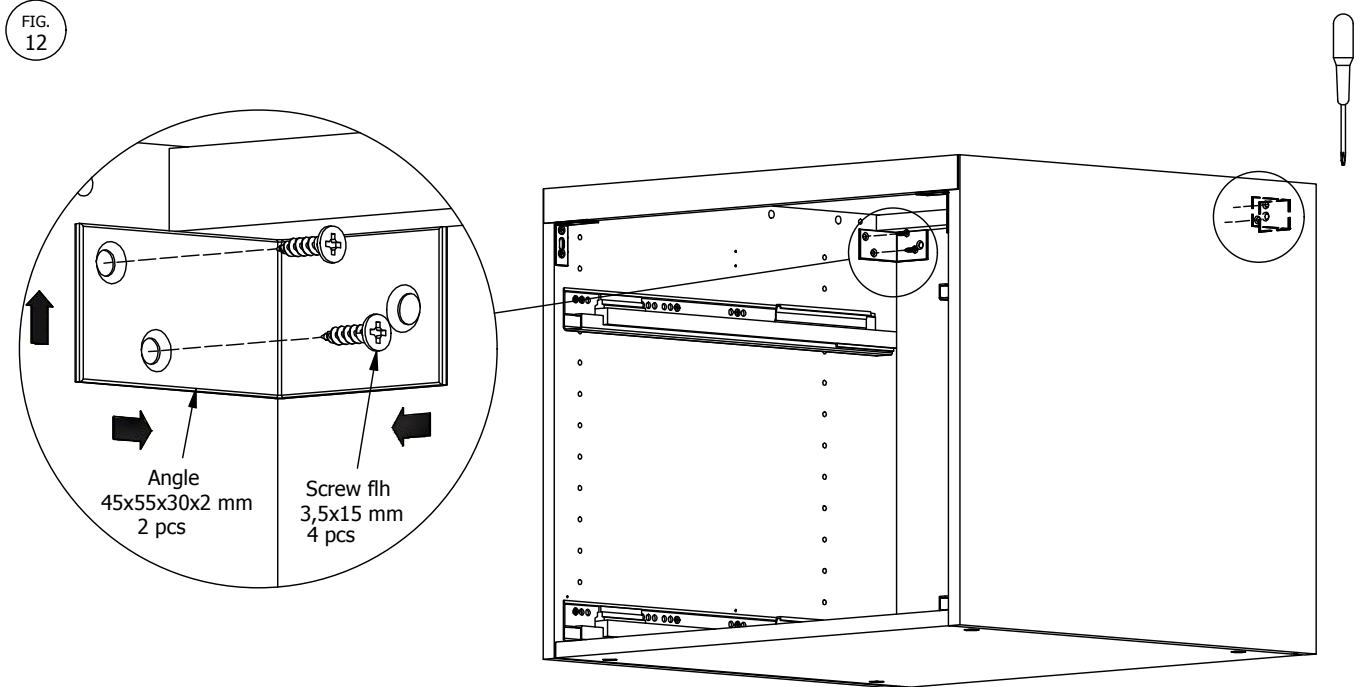
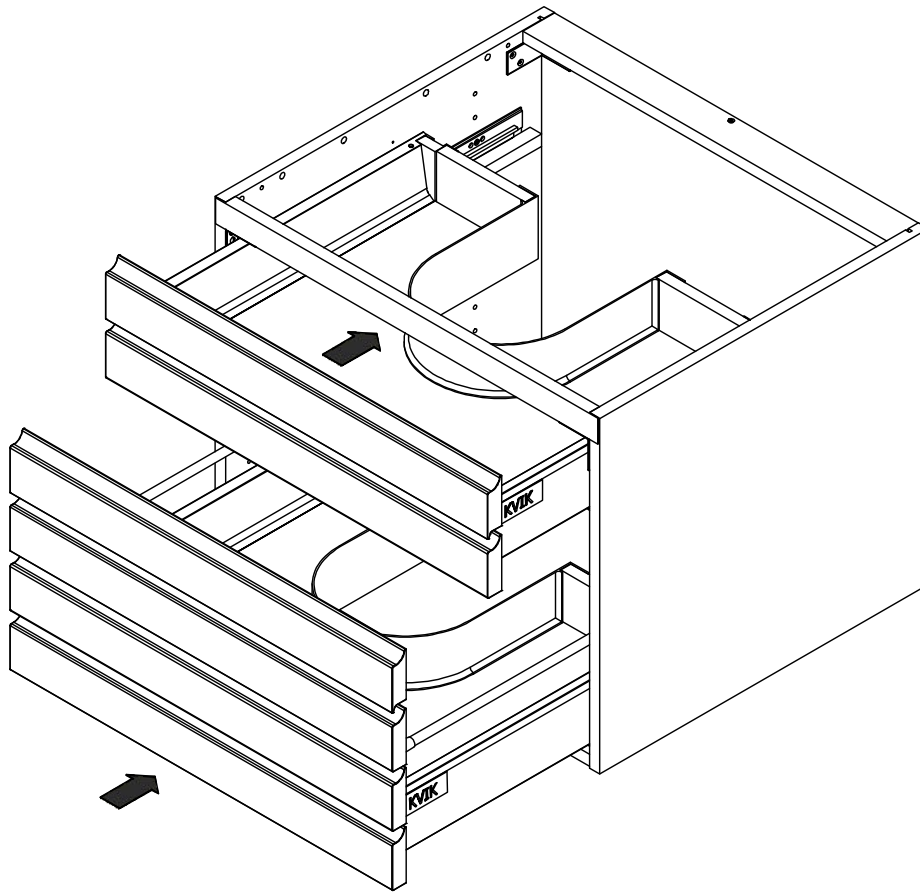


FIG.
13



Installation, please read instruction SV12224

