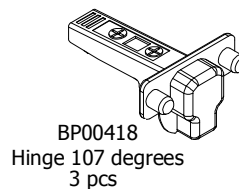
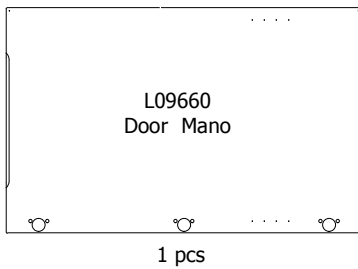
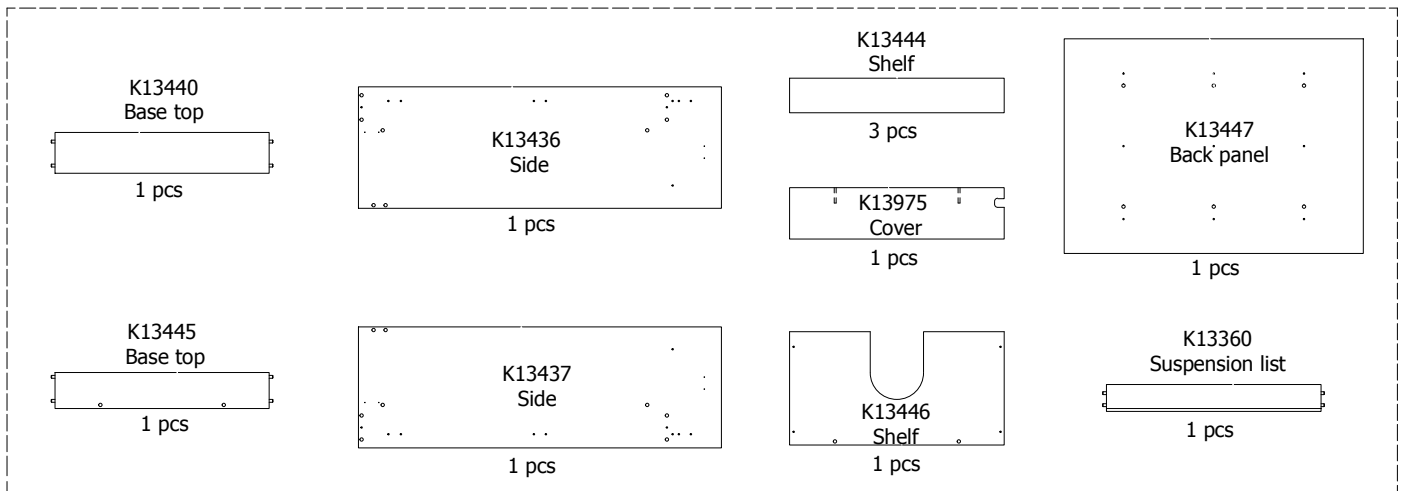


kvik 

MC696,060

Method 1 (Thermex)
Method 2 (Siemens/Bosch)

DC96,060,000



BP00029

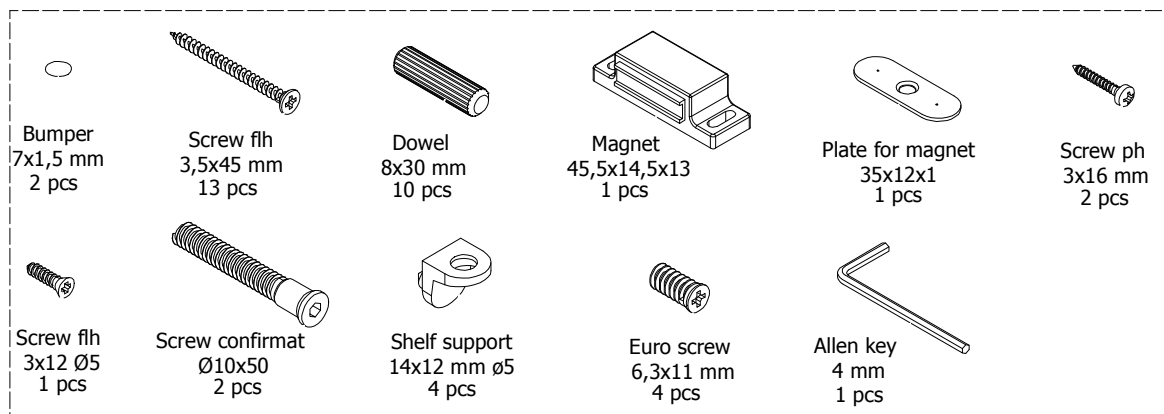


FIG. 1

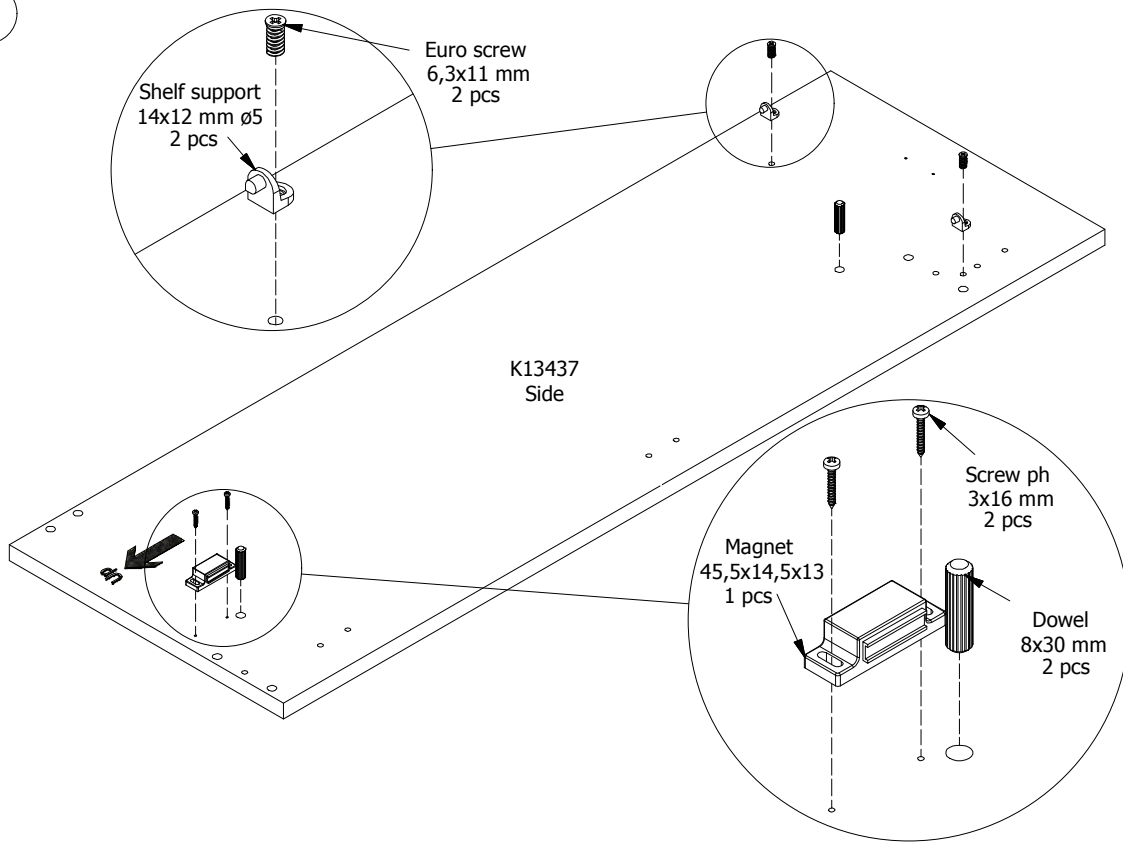


FIG. 2

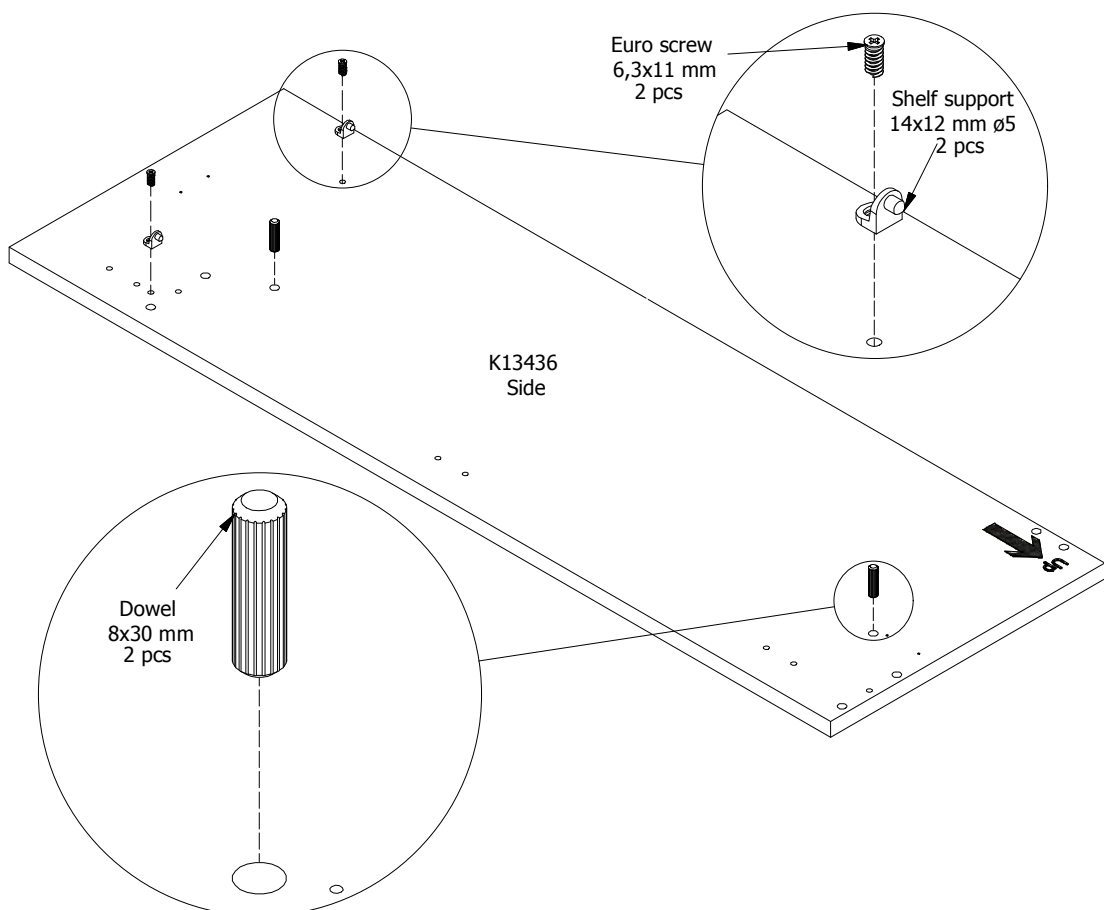


FIG. 3

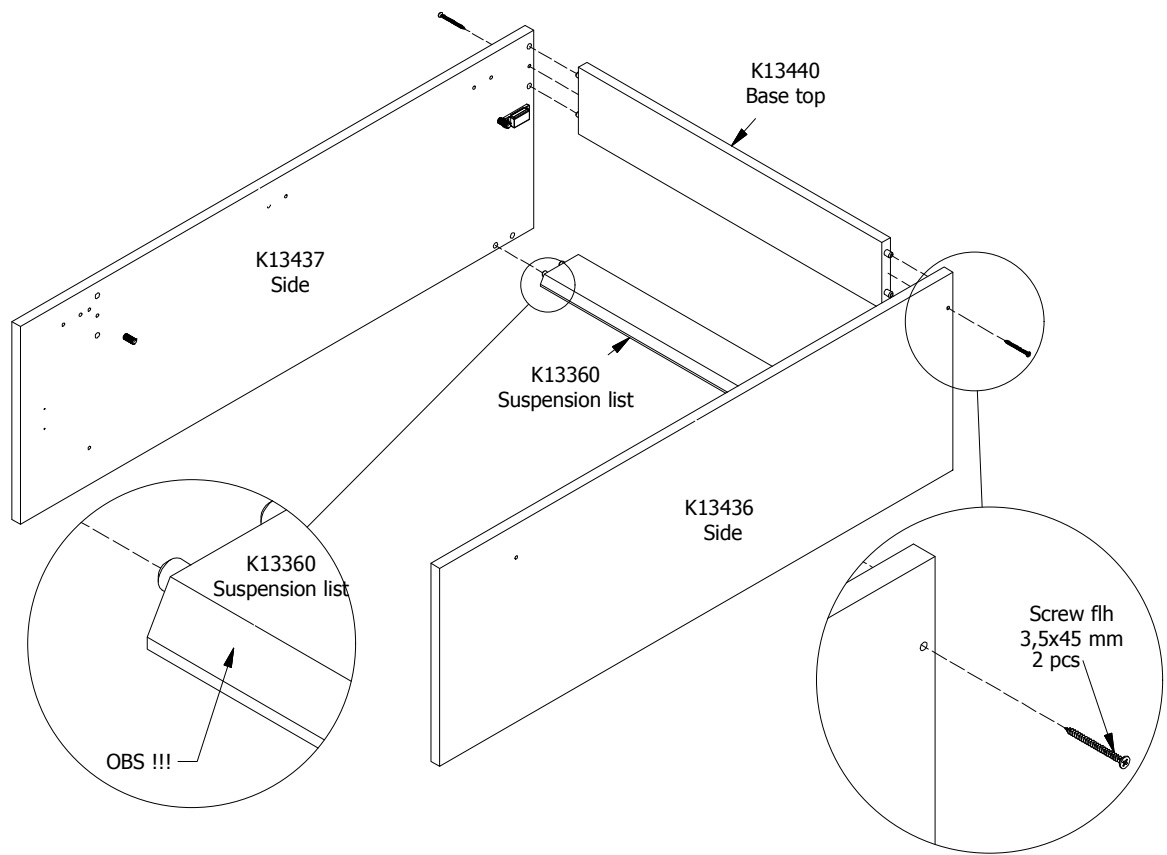


FIG. 4

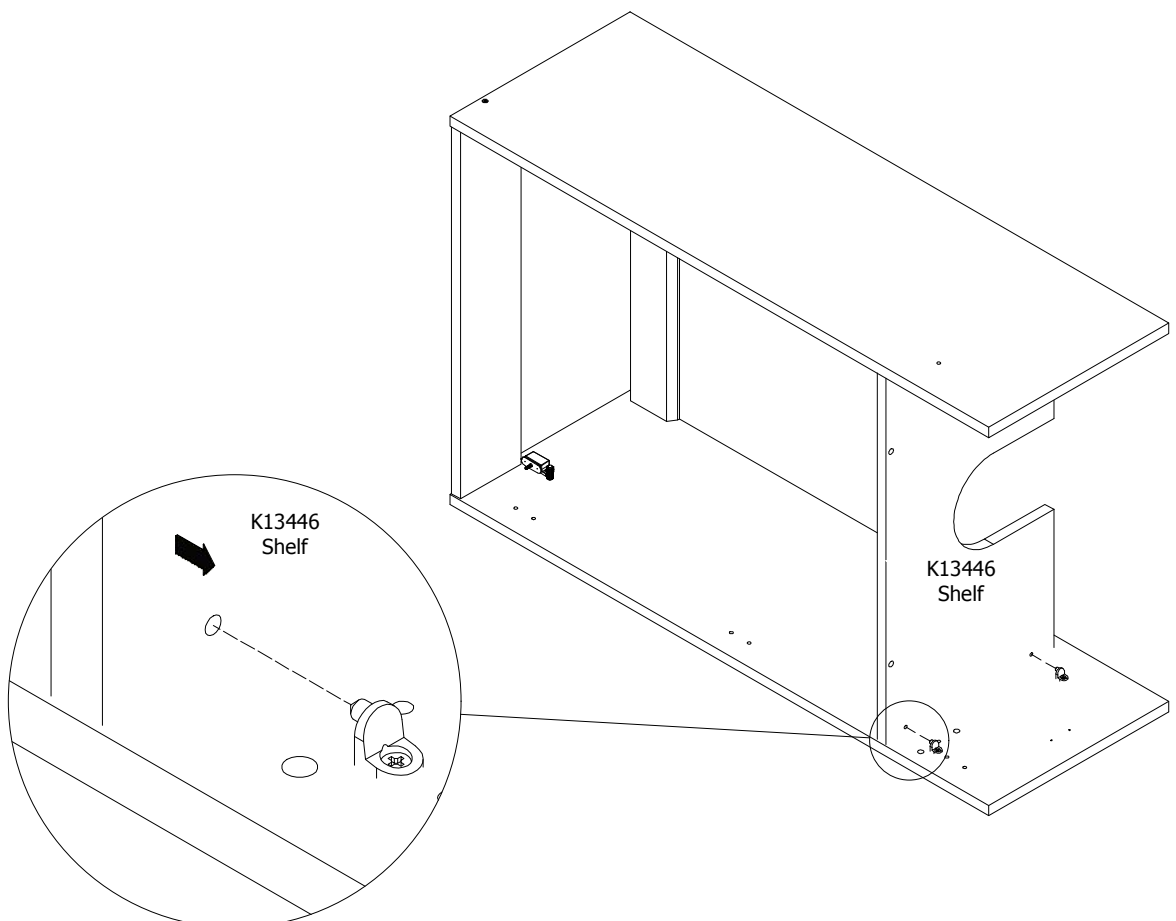


FIG. 5

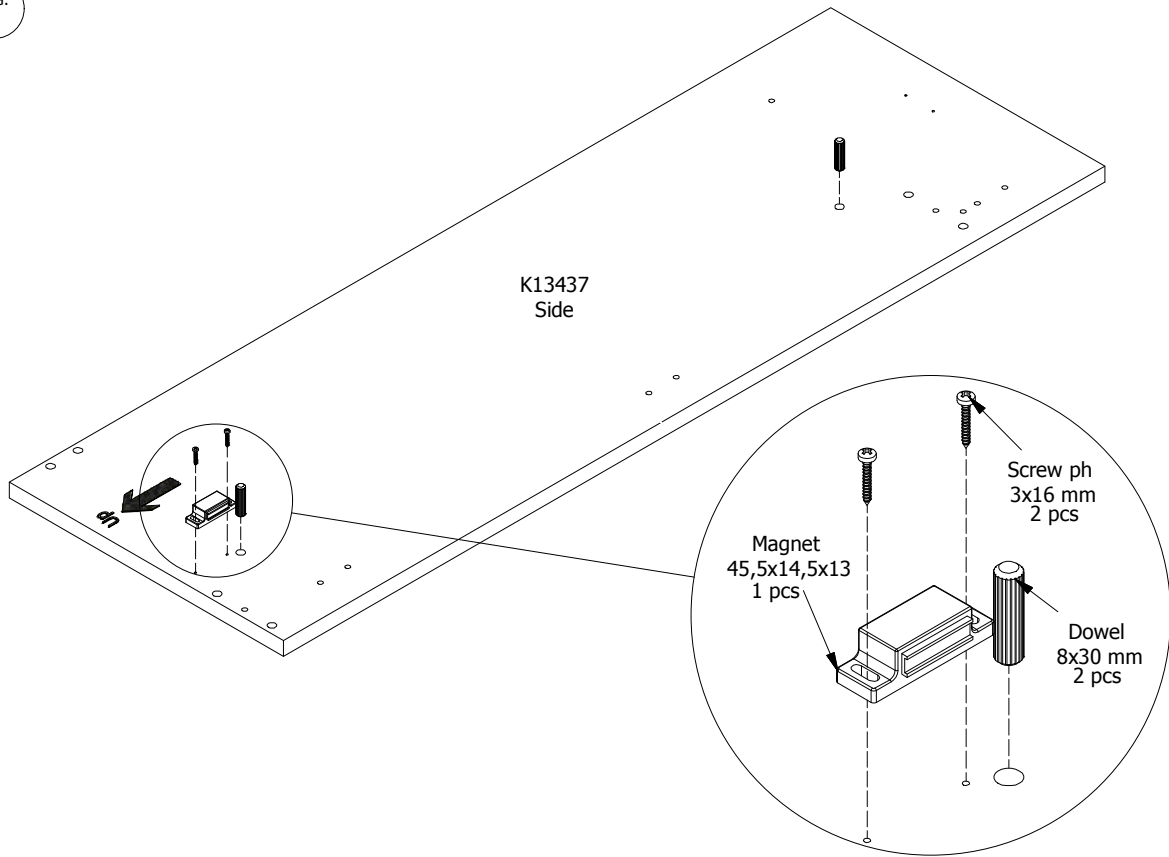


FIG. 6

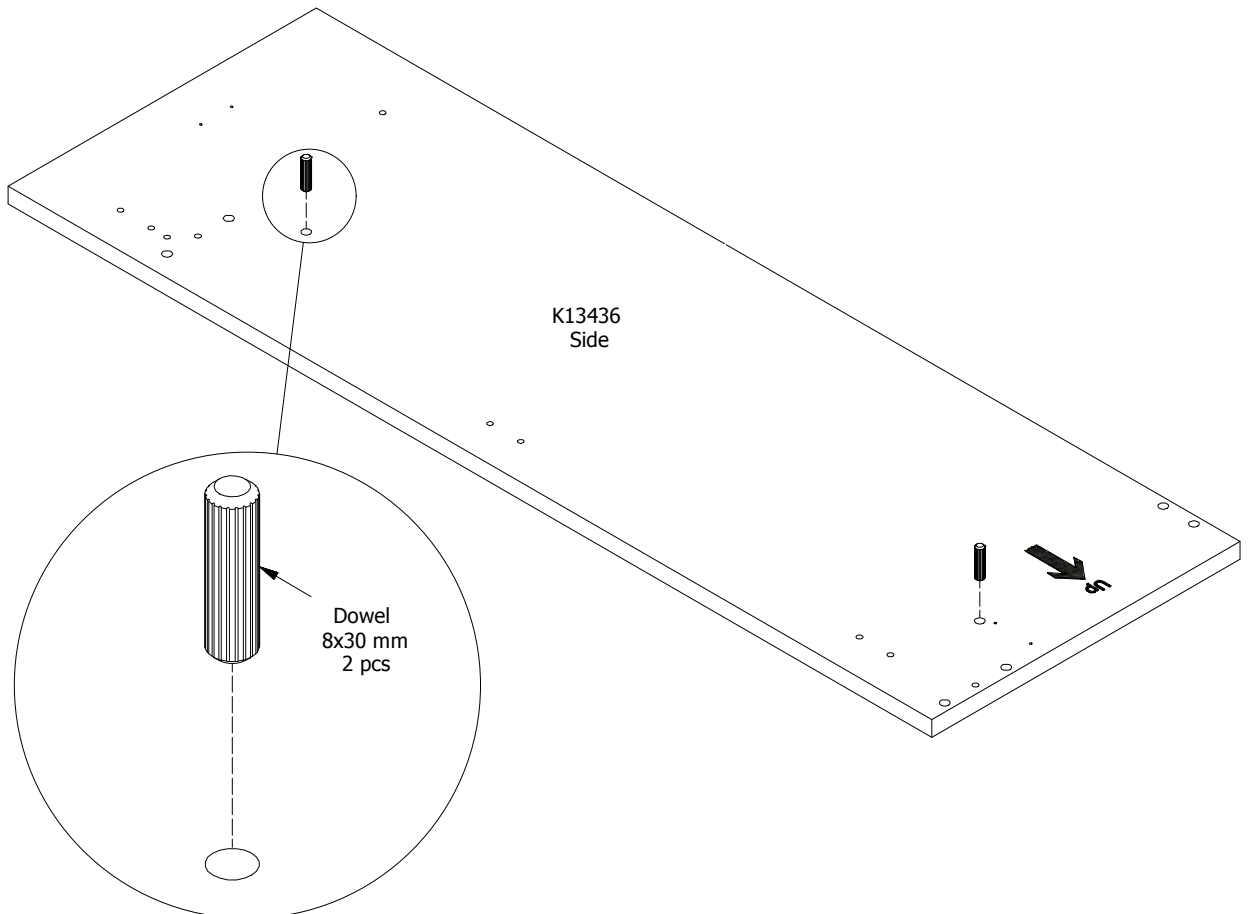


FIG. 7

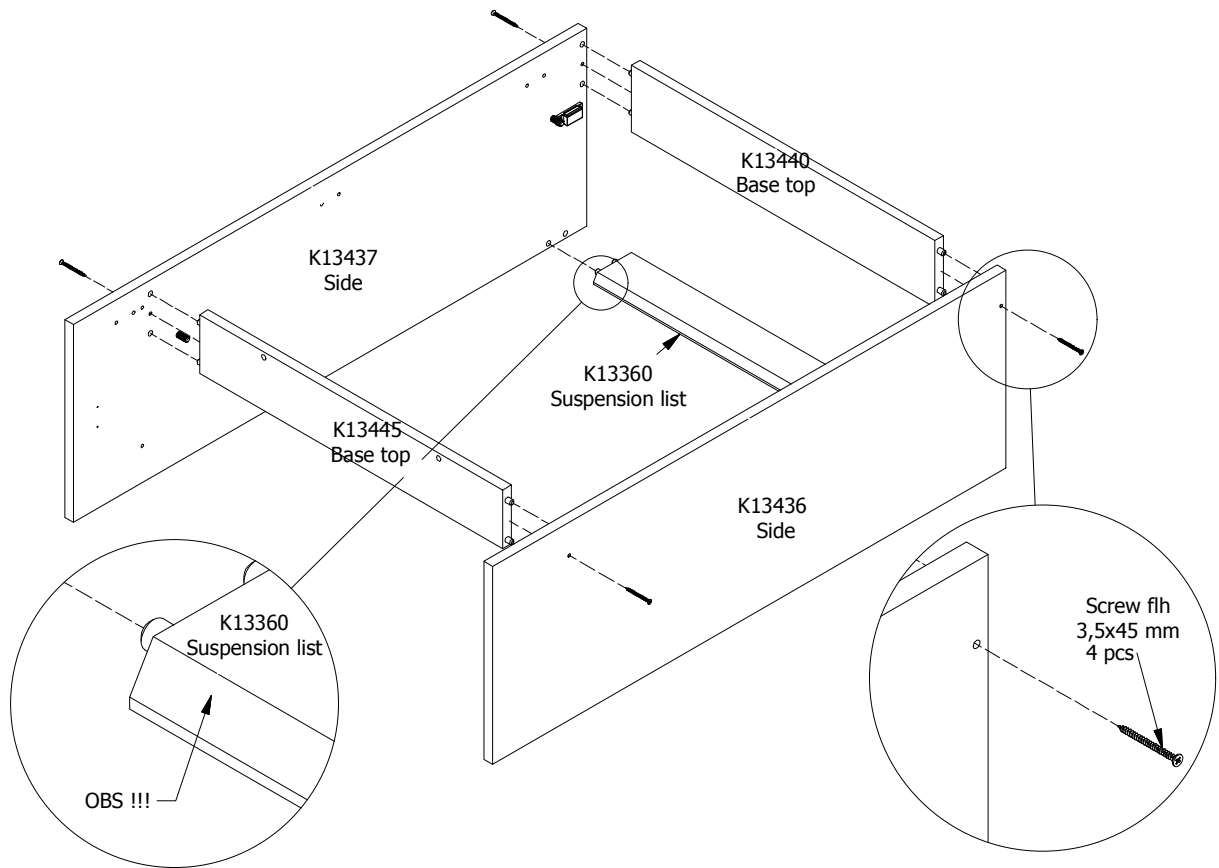


FIG. 8

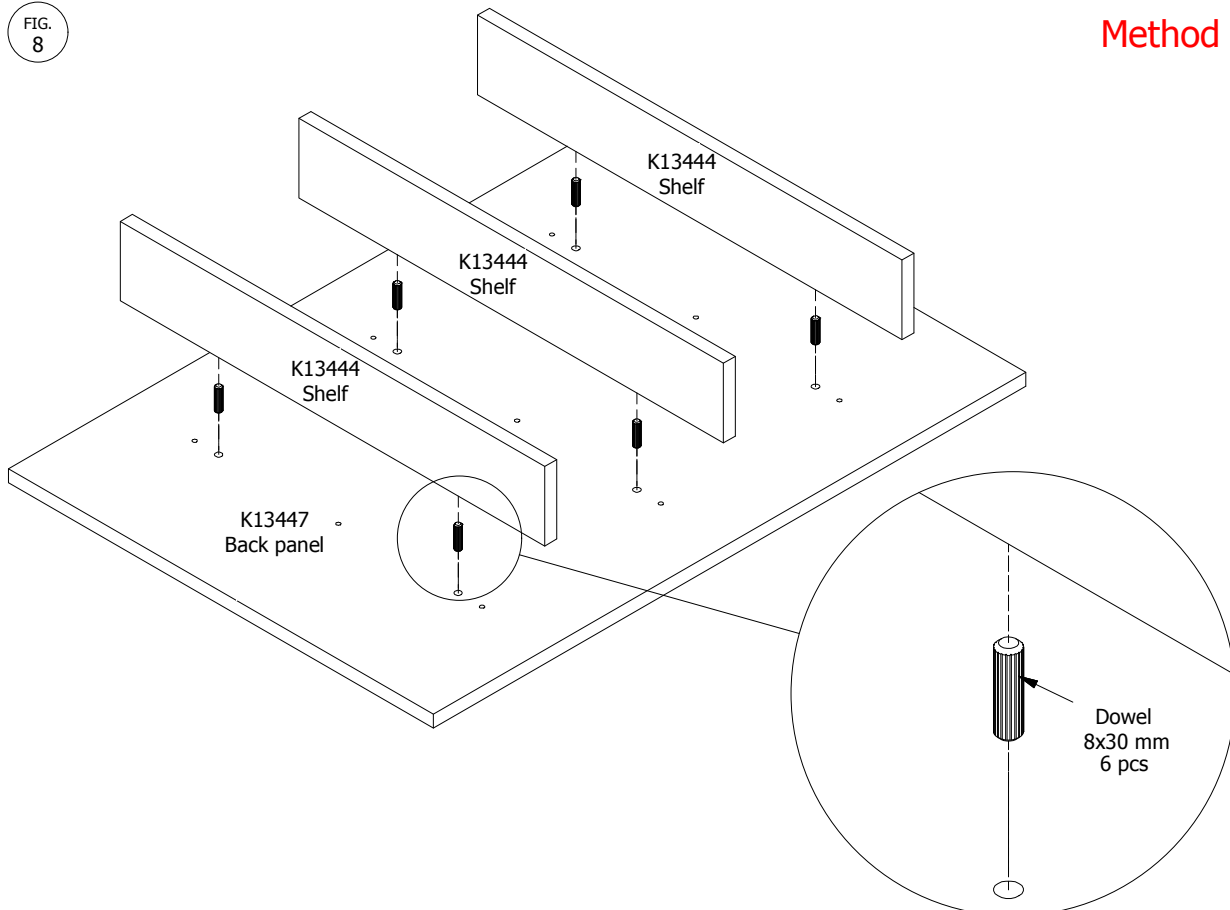


FIG. 9

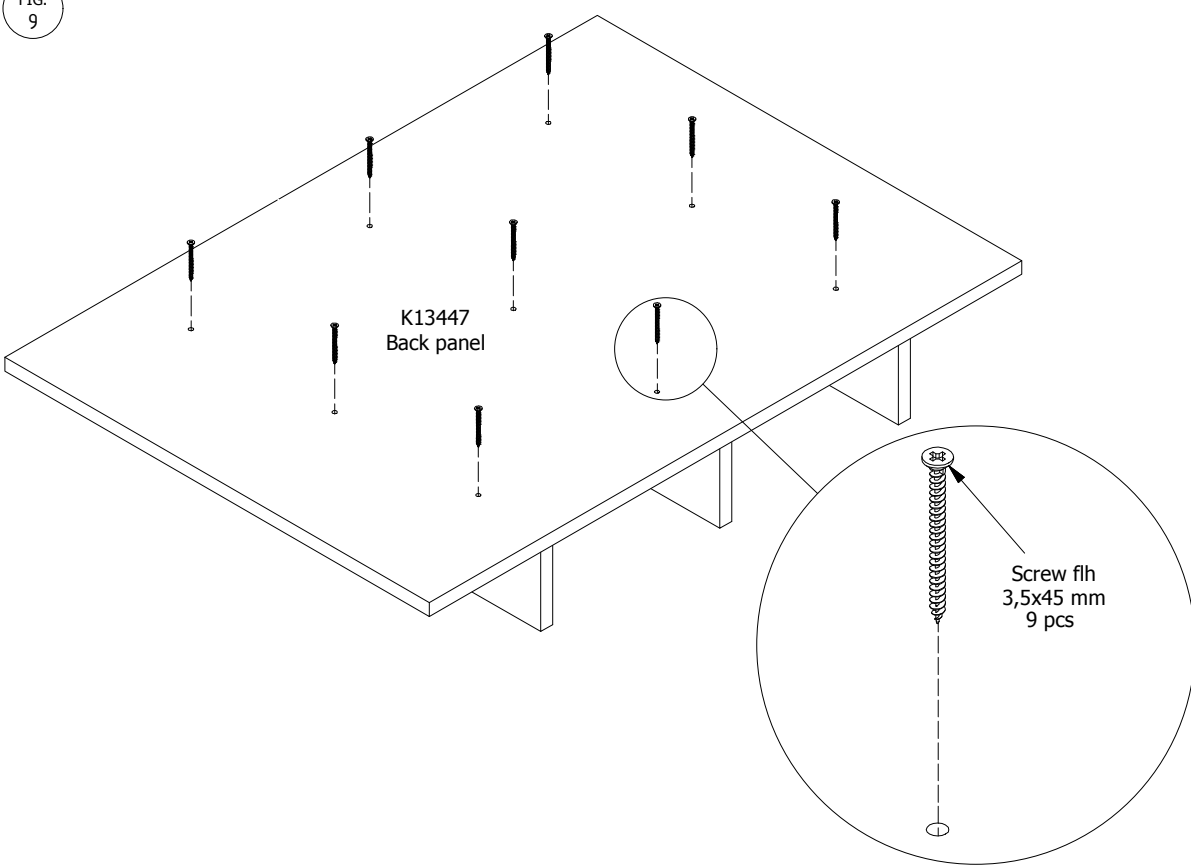


FIG. 10

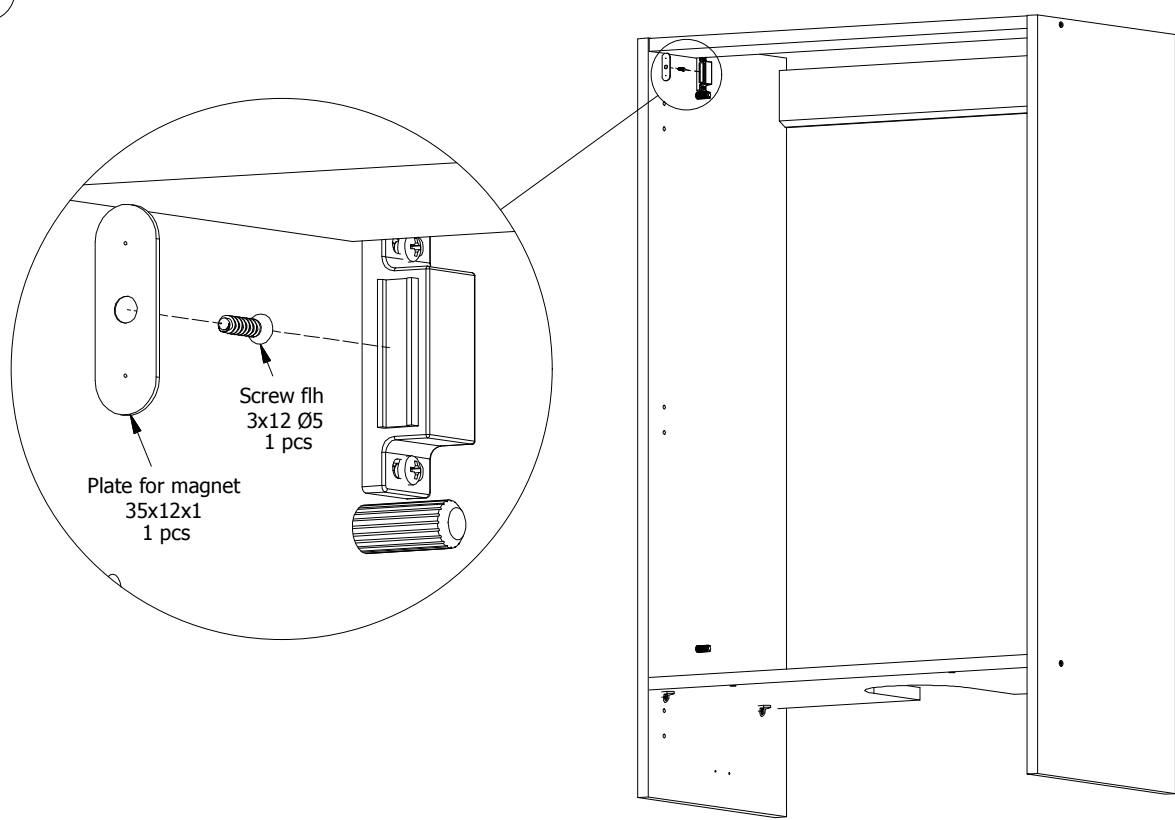
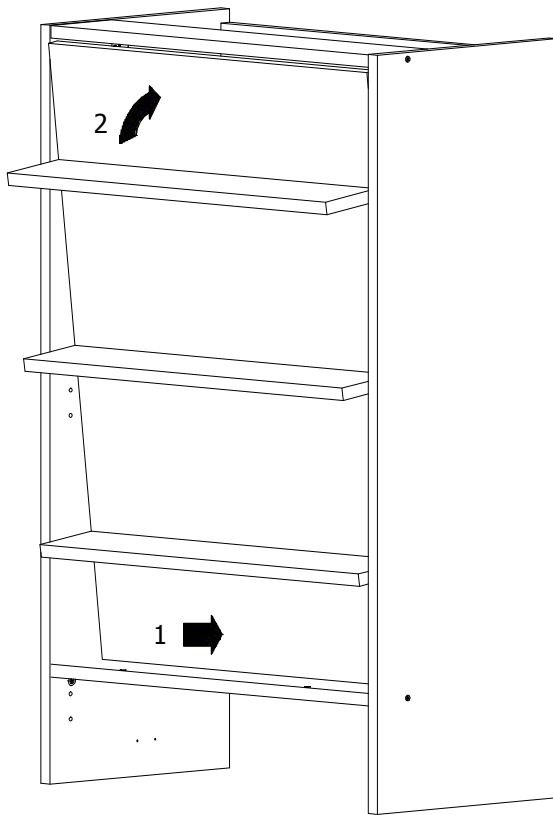


FIG. 11



Push, and the screw will make a mark on the backside, to use to mount the plate for magnet

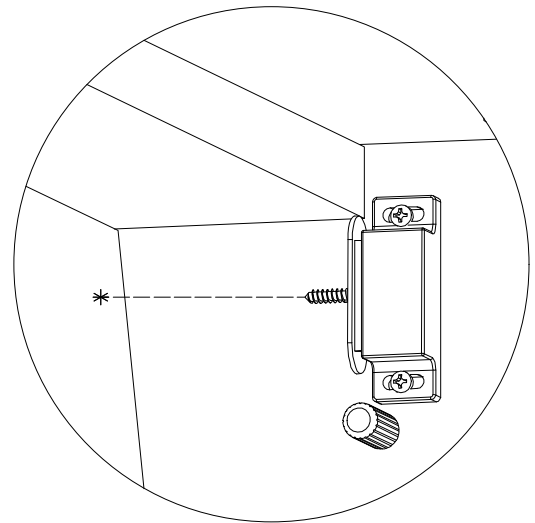


FIG. 12

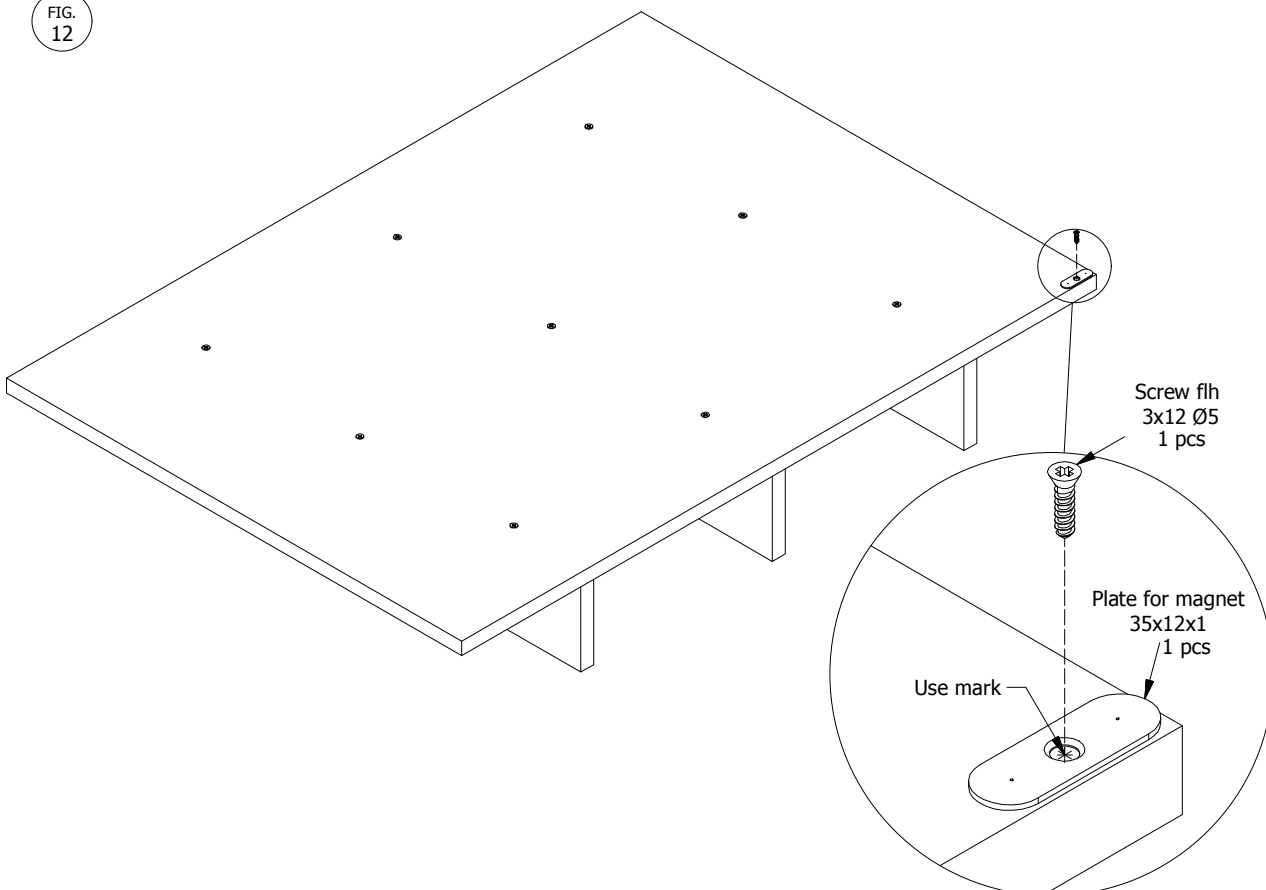


FIG. 13

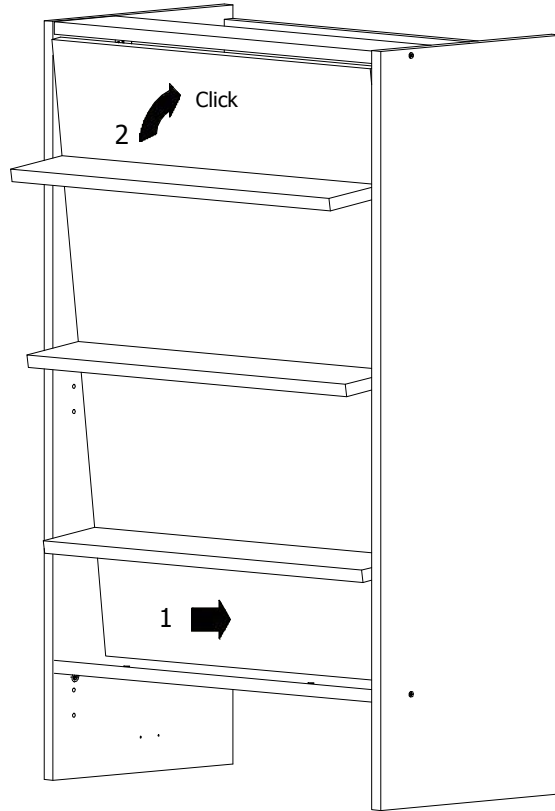


Fig 14

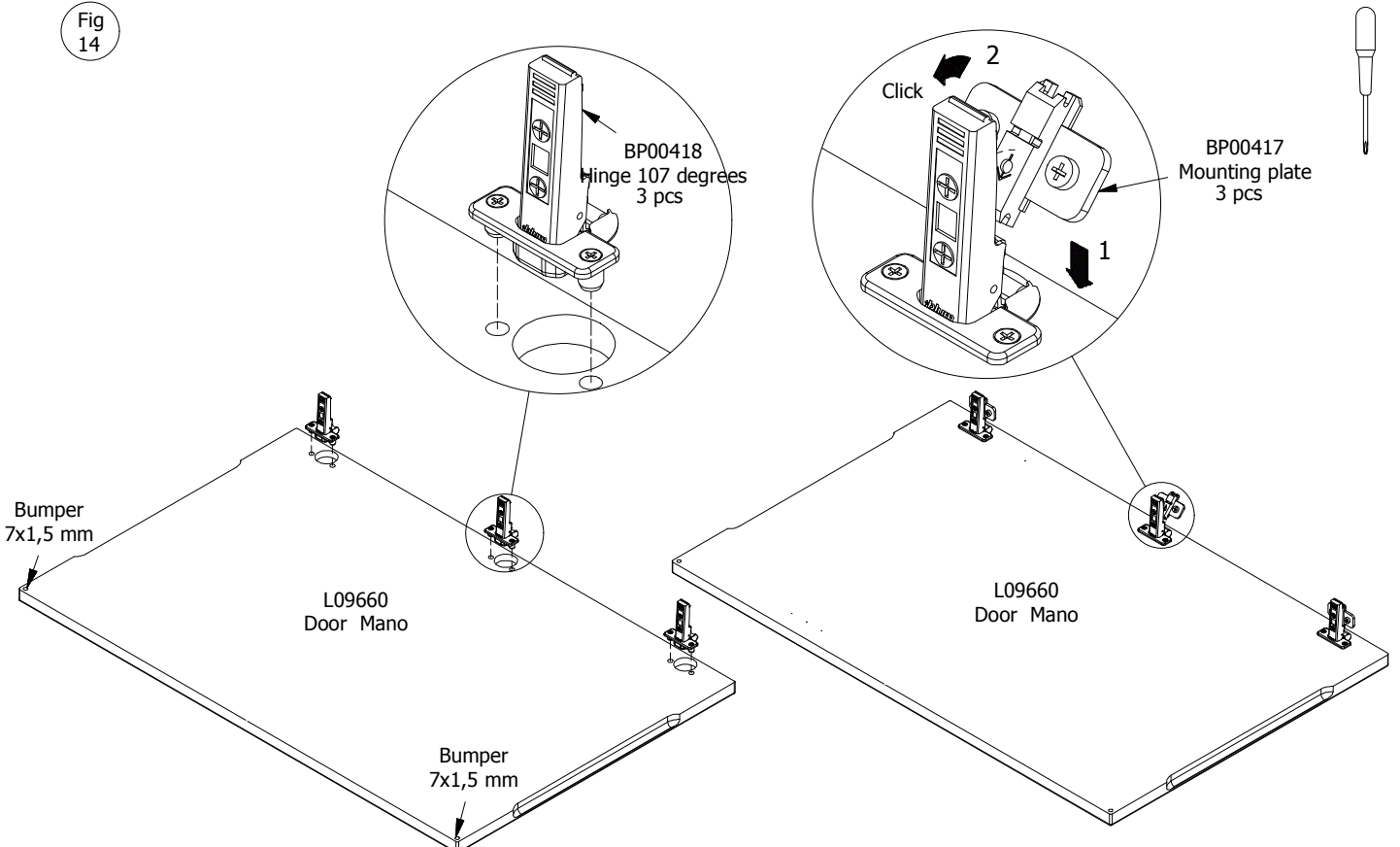


Fig 15

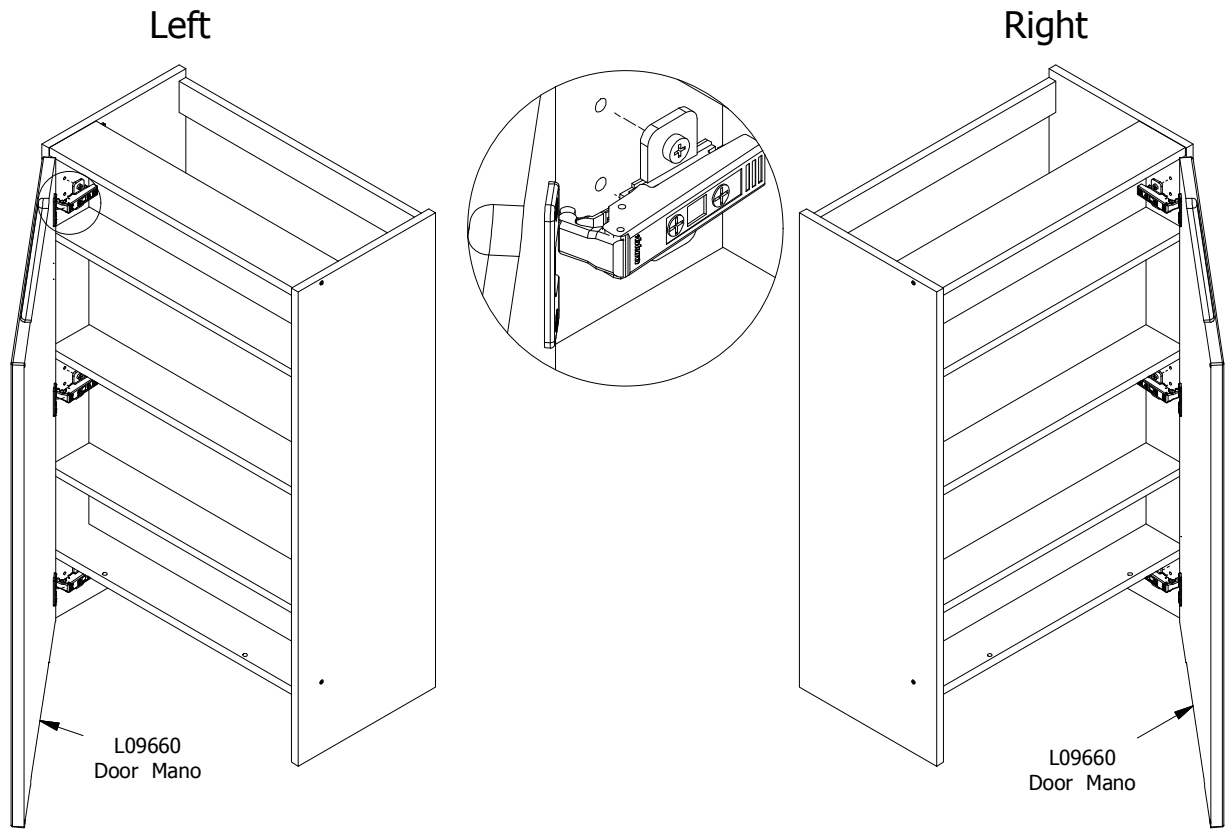


Fig 16

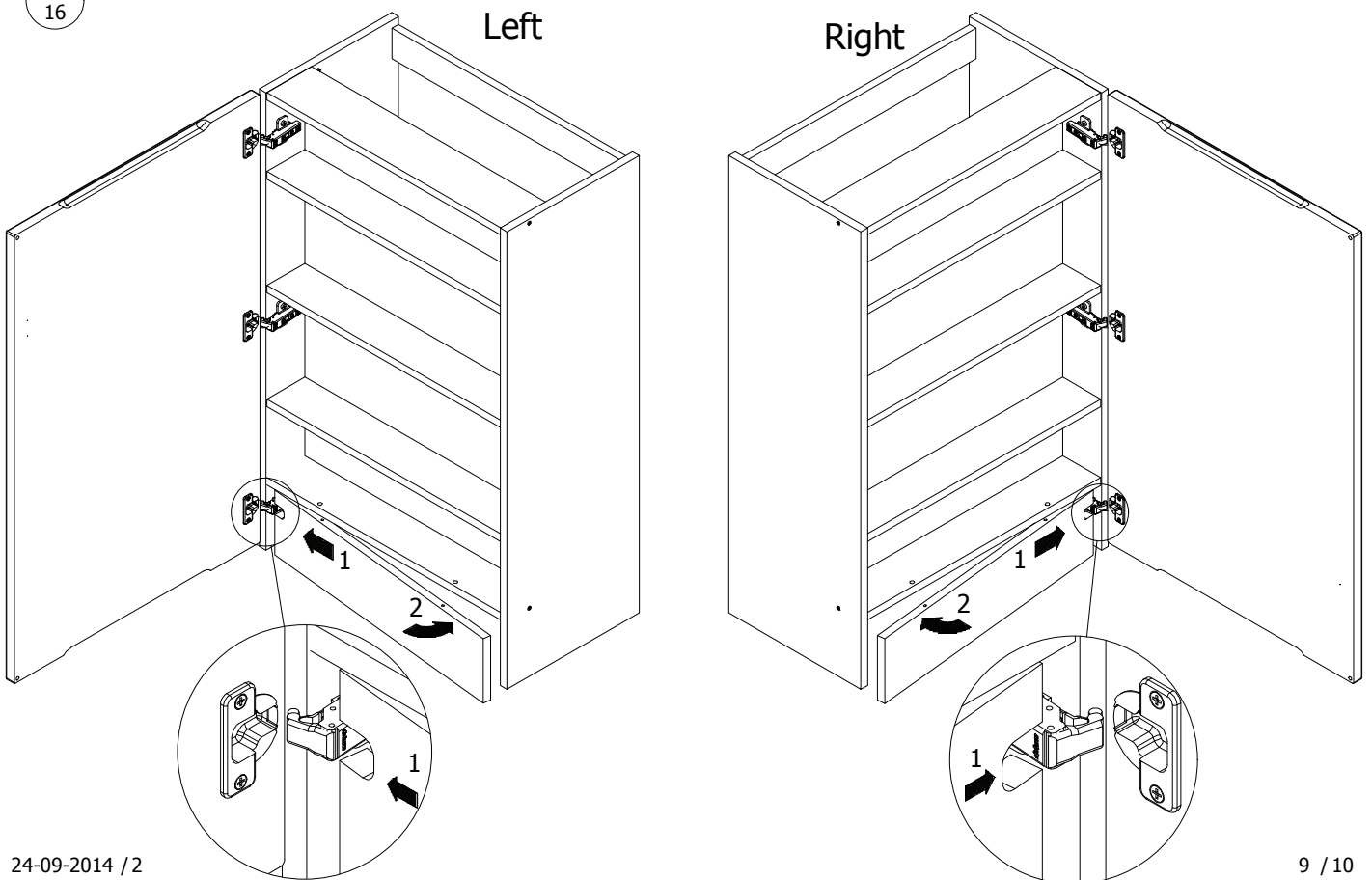
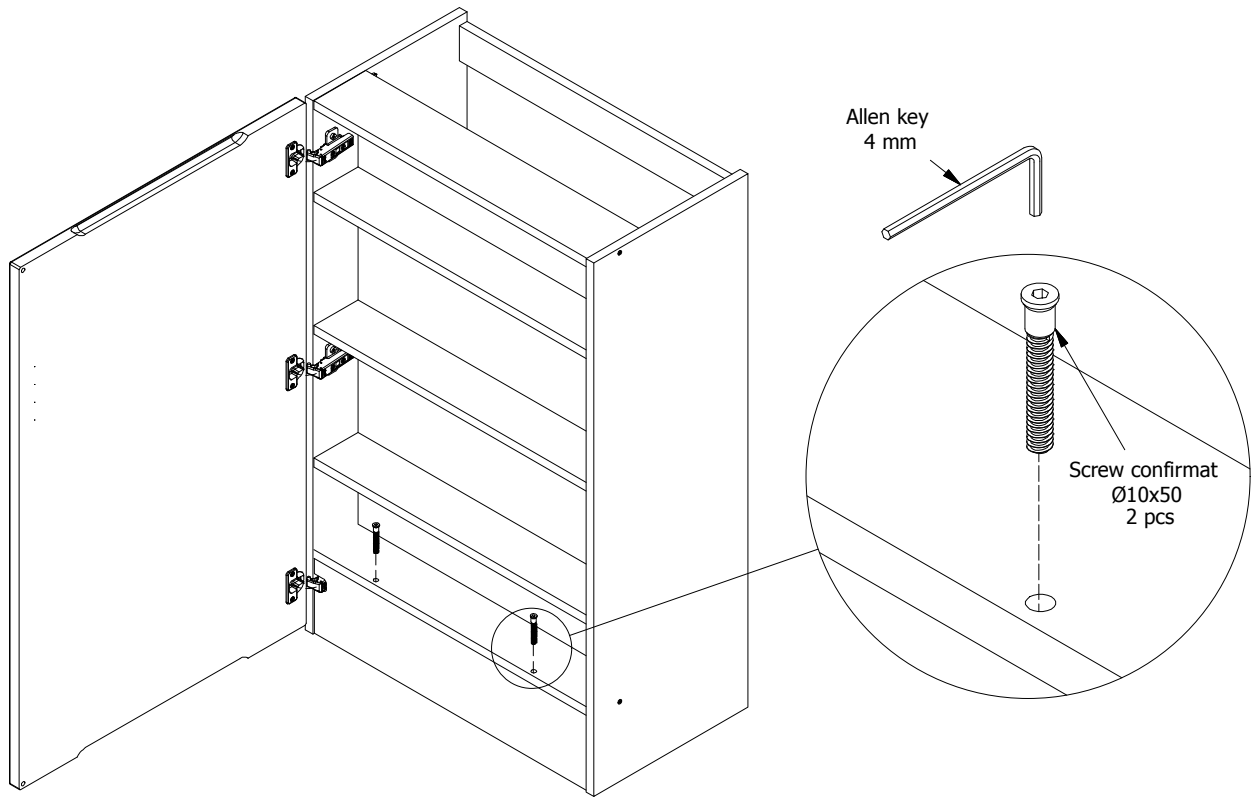


Fig 17



Adjustment

