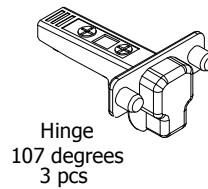
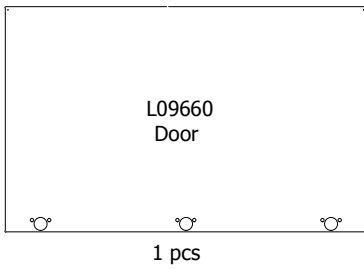
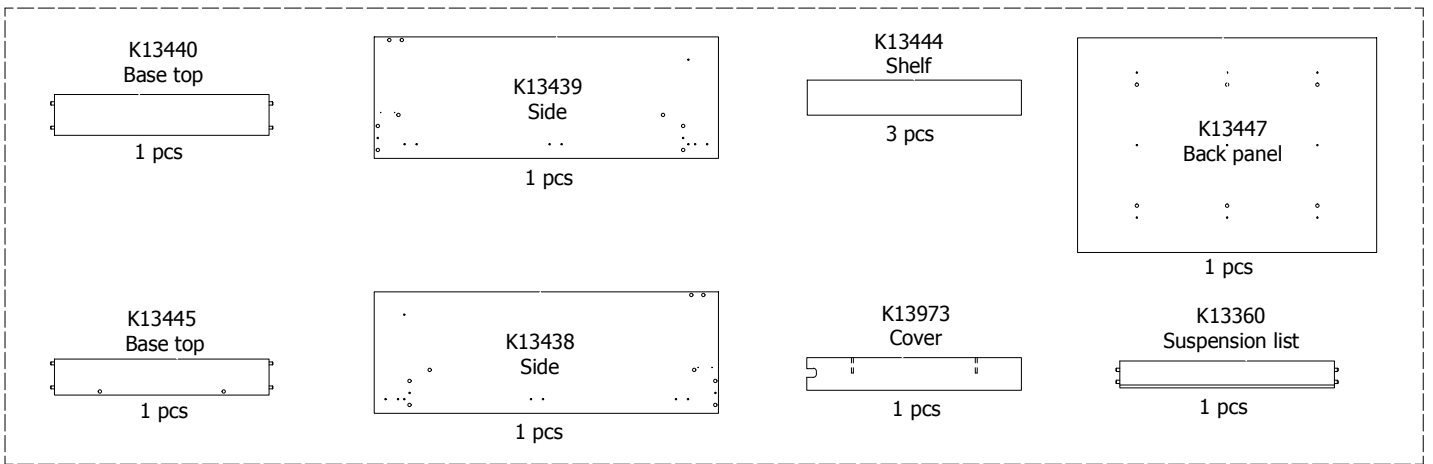


**kvik** 

**C695,060**

**DCS96,060,000**



**BP00029**

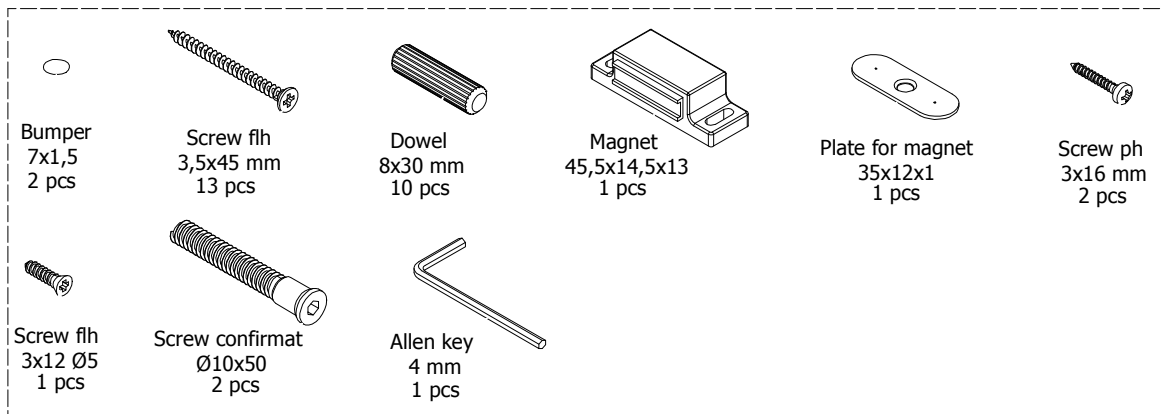


FIG. 1

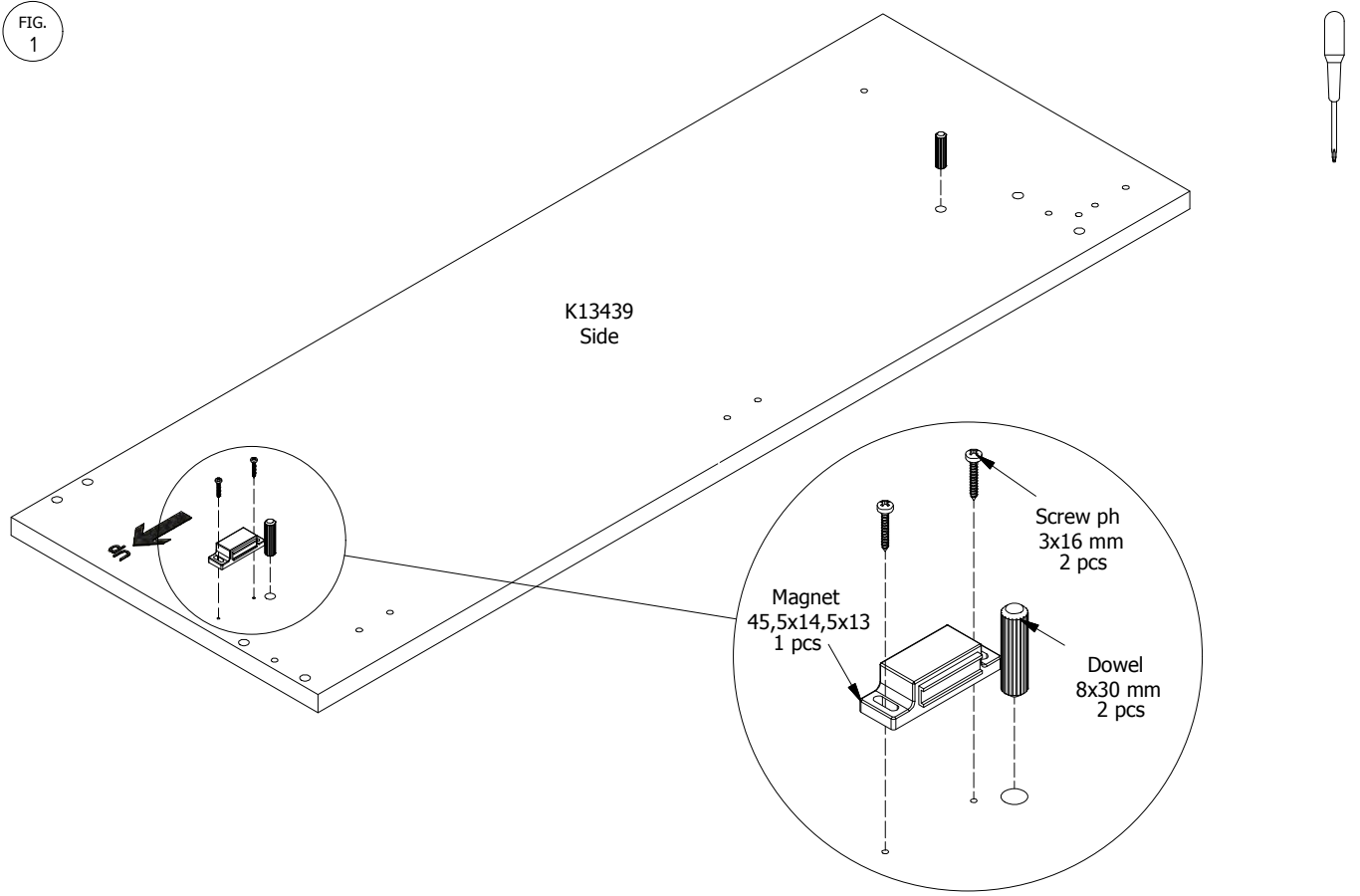


FIG. 2

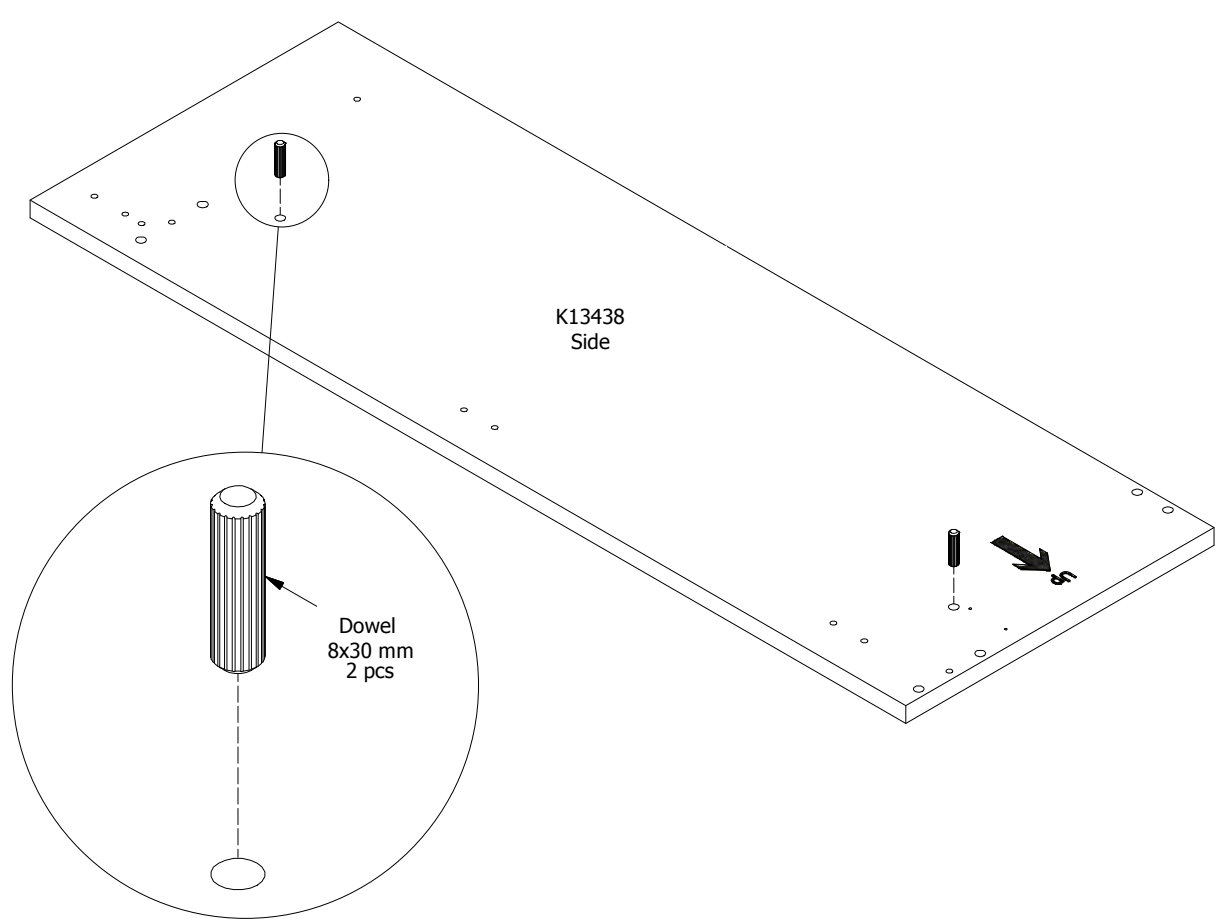


FIG. 3

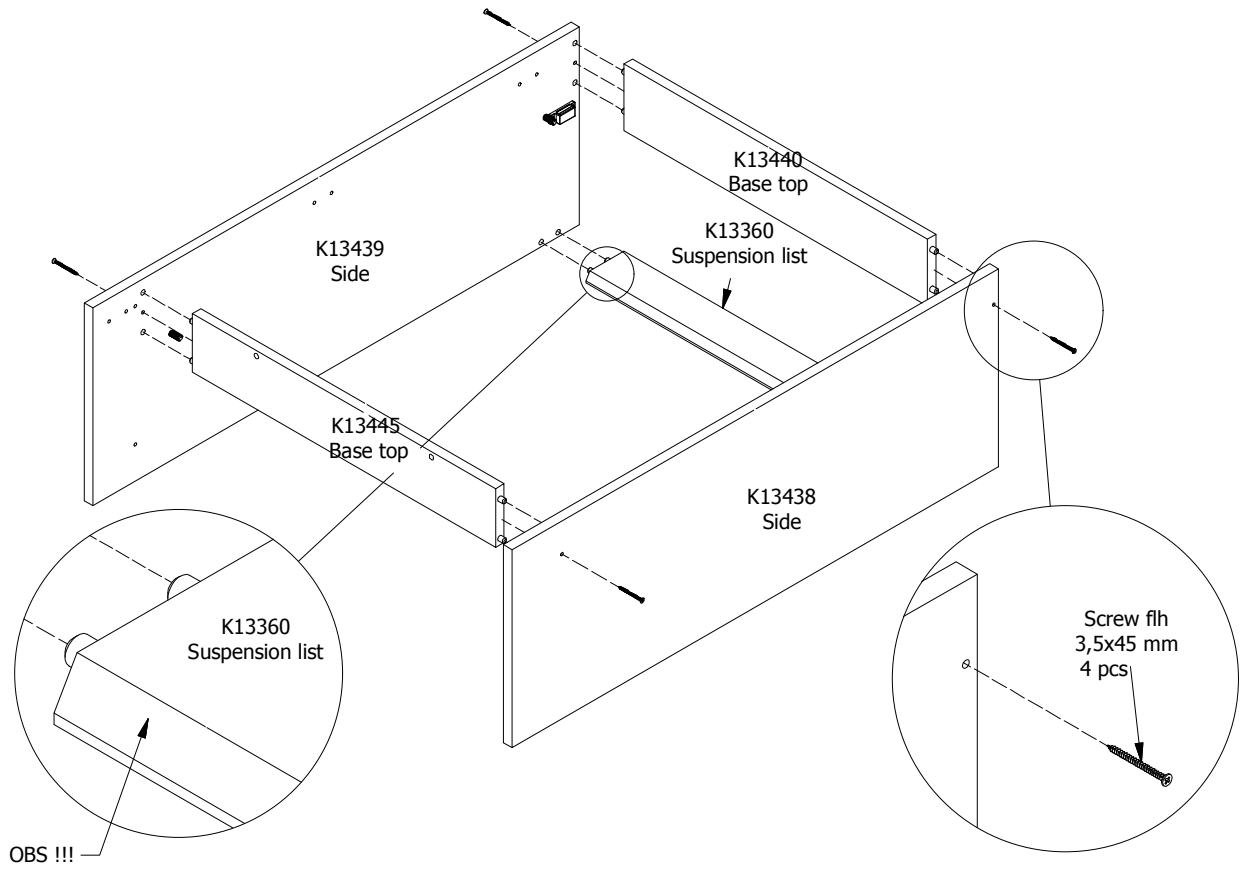


FIG. 4

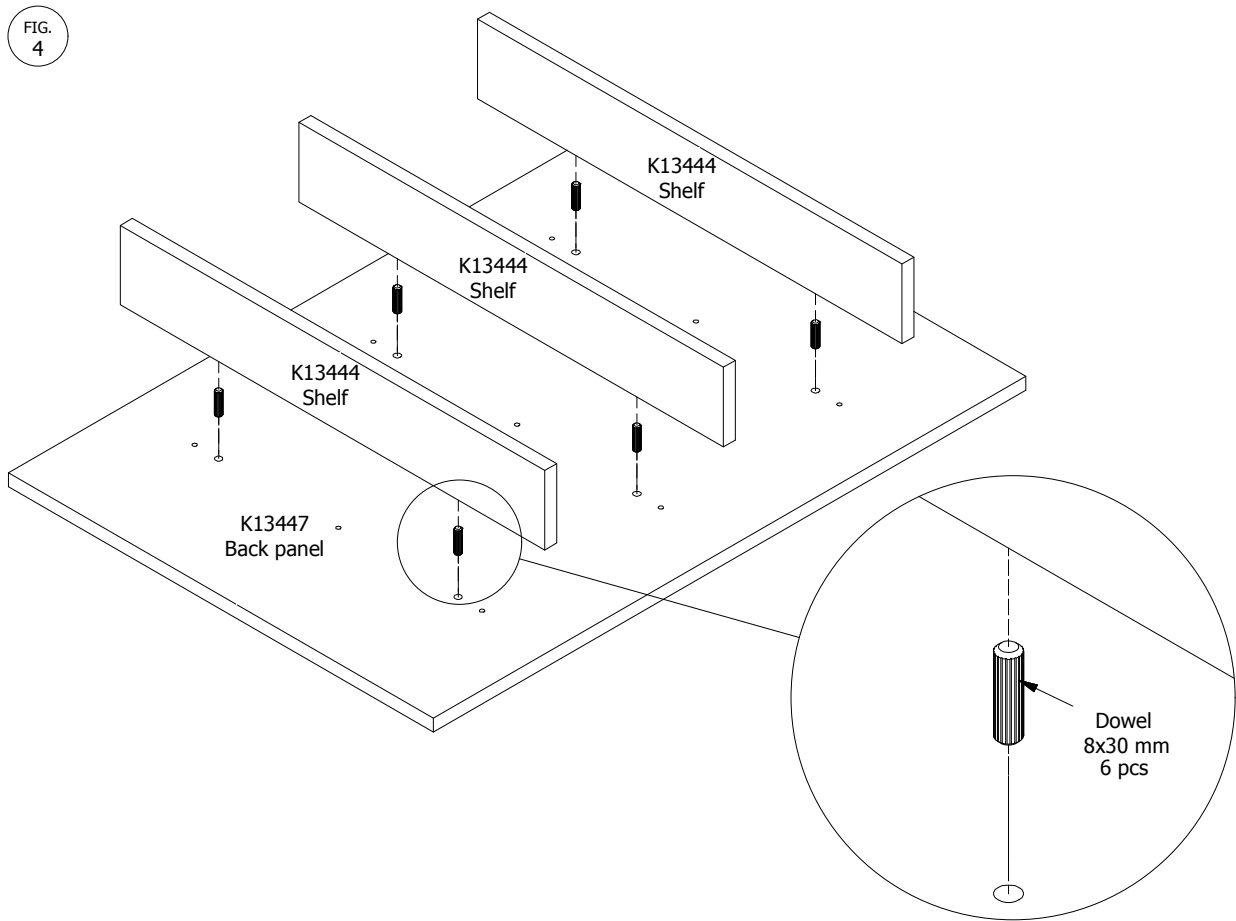


FIG. 5

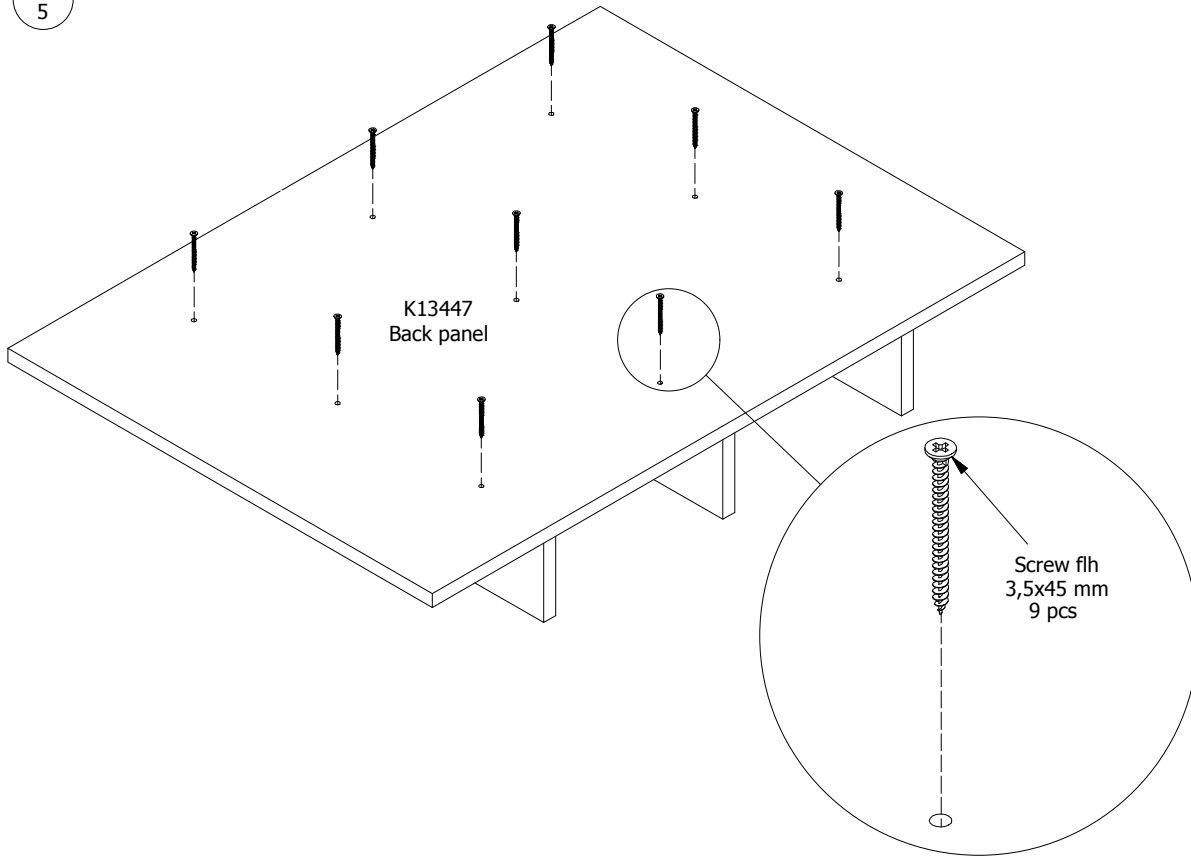


FIG. 6

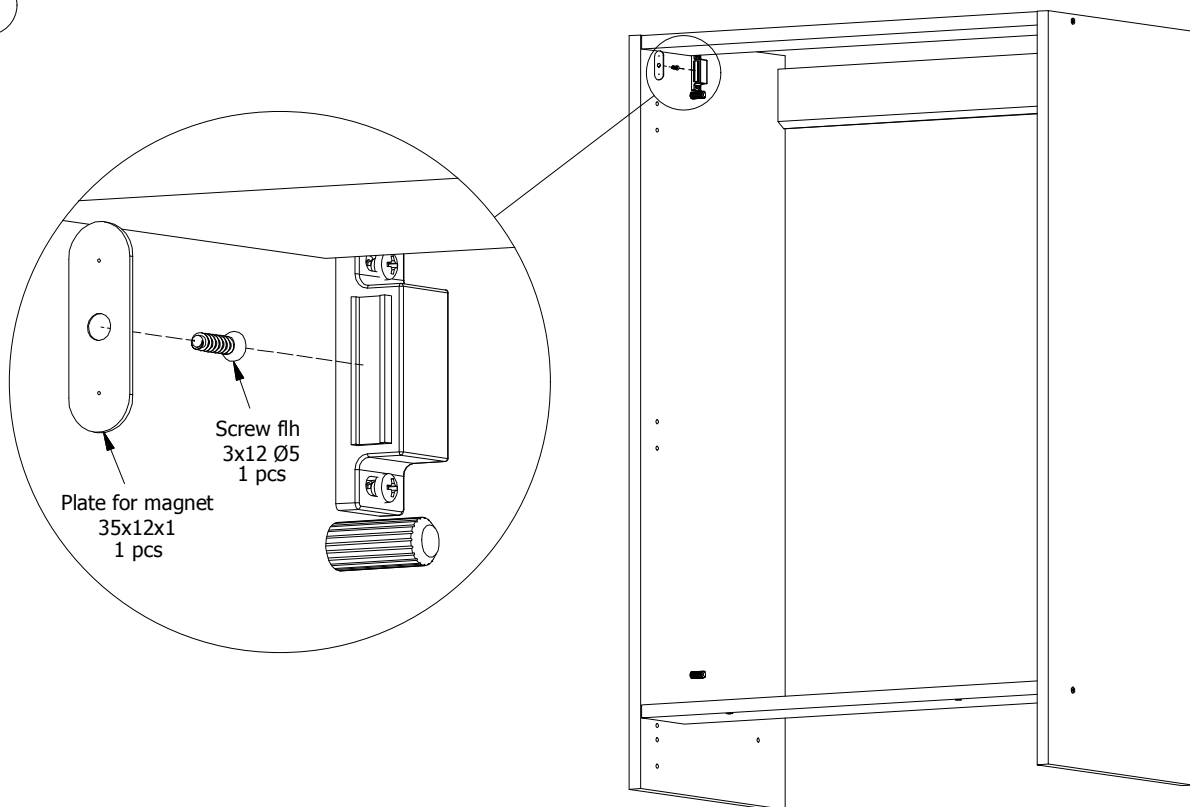
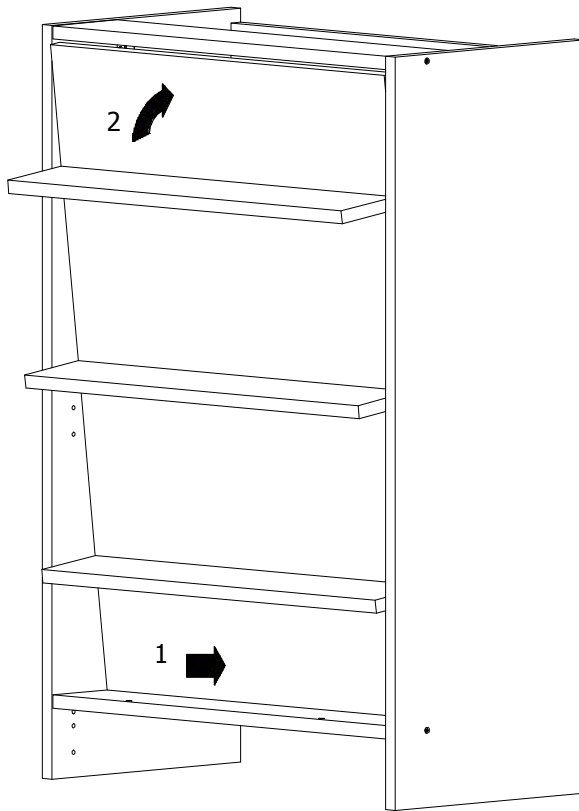


FIG. 7



Push, and the screw will make a mark on the backside, to use to mount the plate for magnet

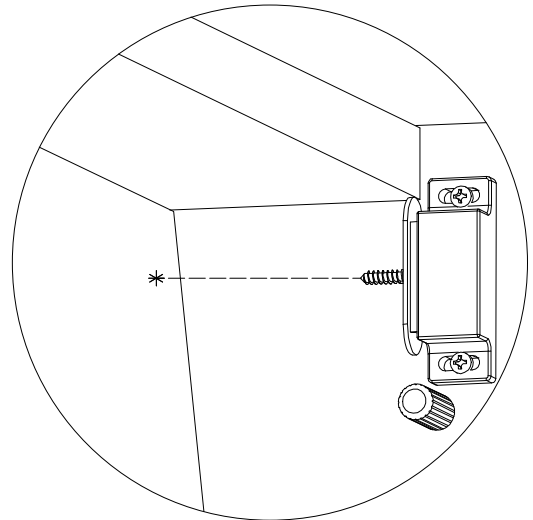


FIG. 8

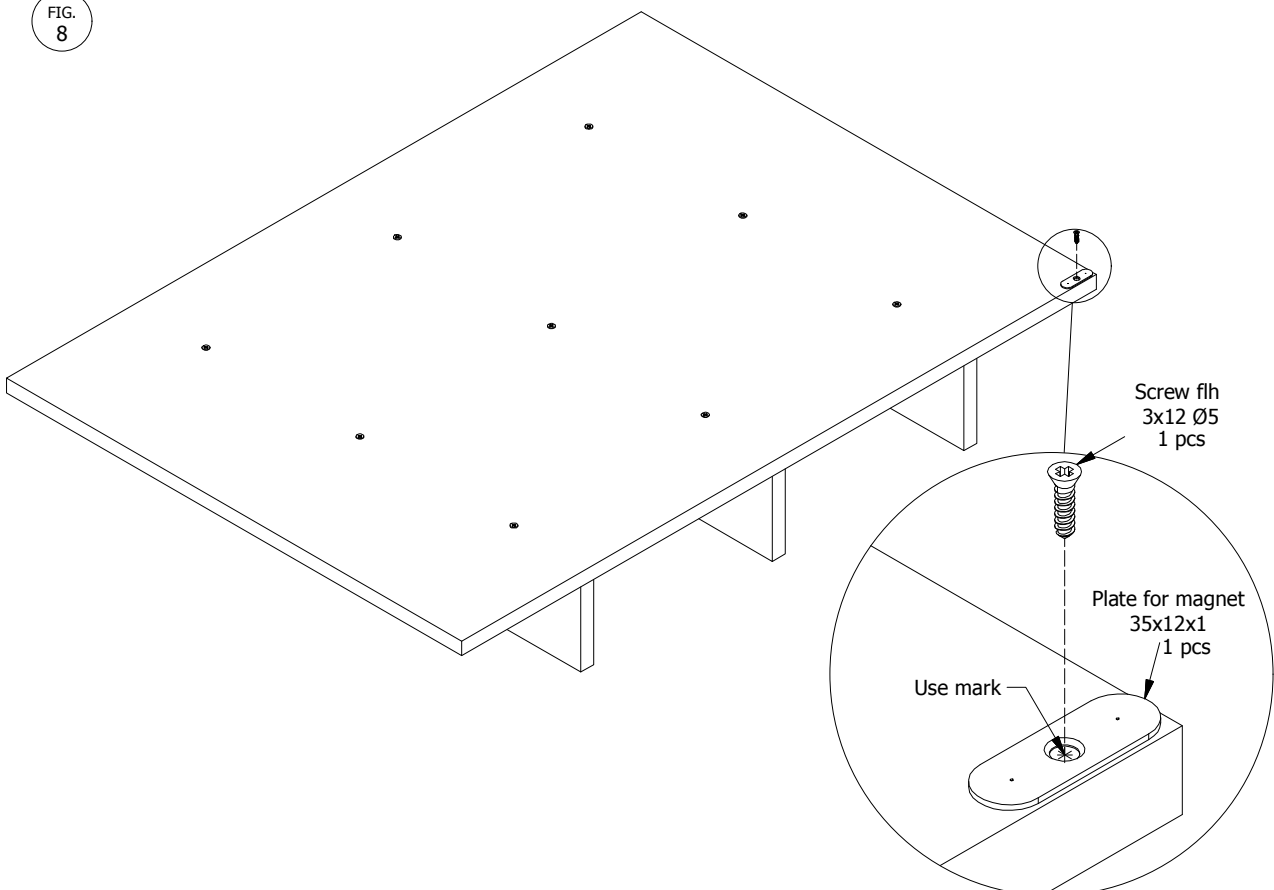


FIG. 9

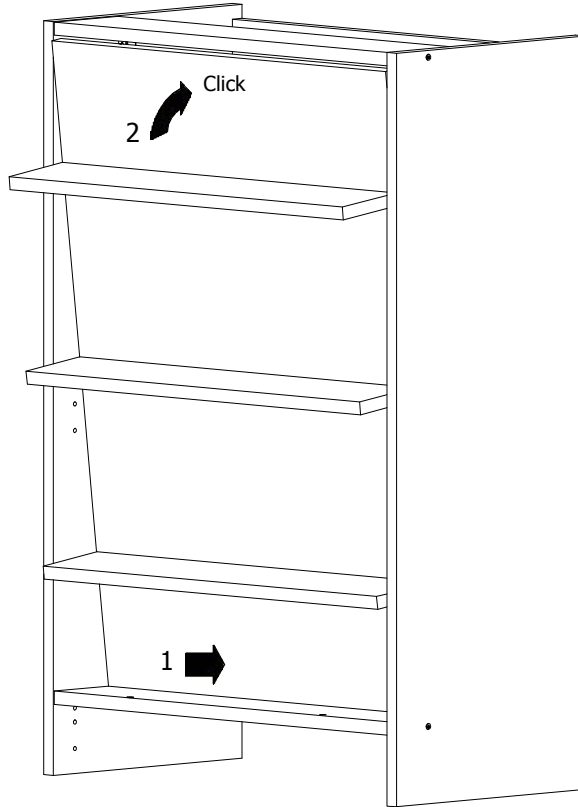


FIG. 10

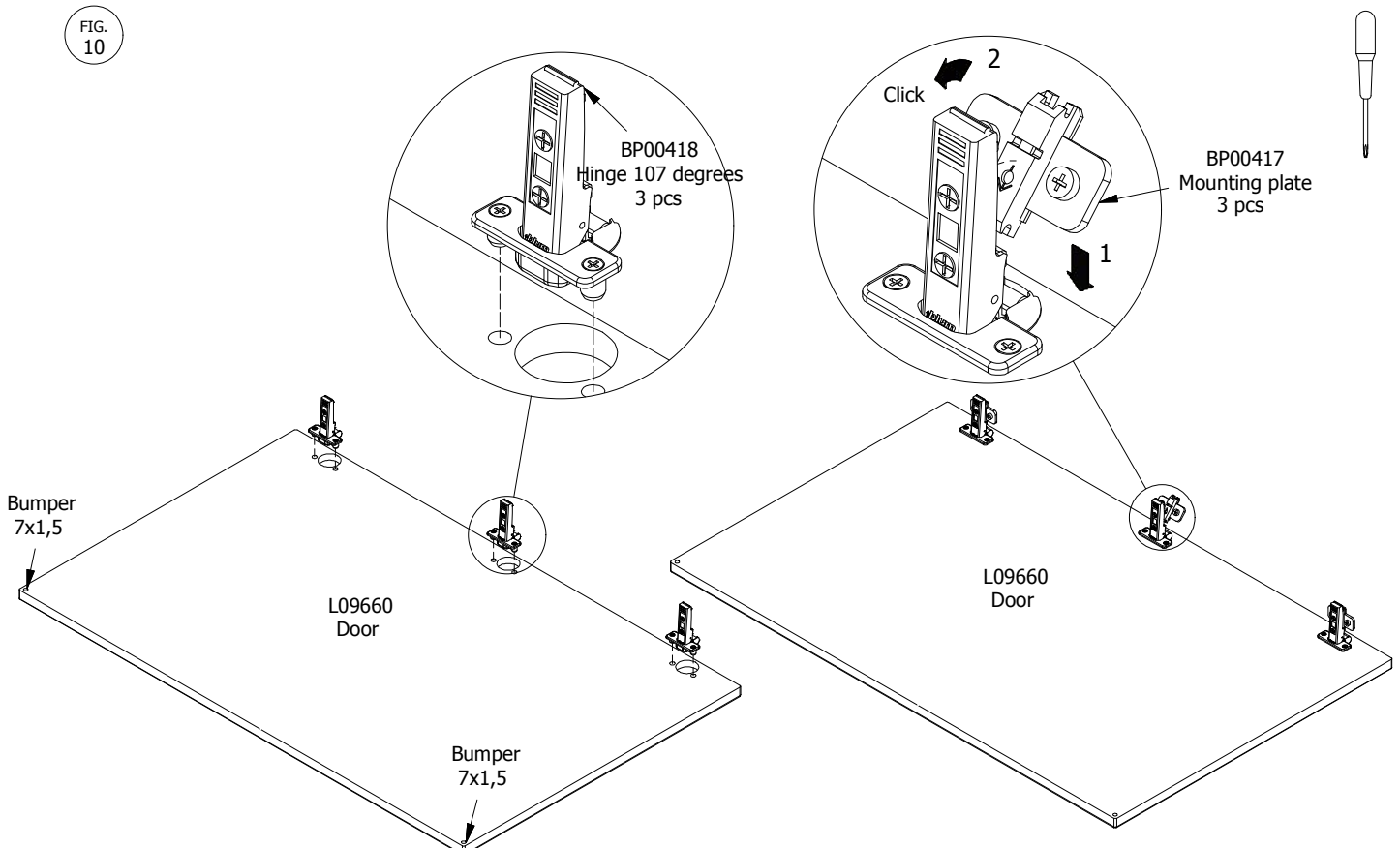


FIG. 11

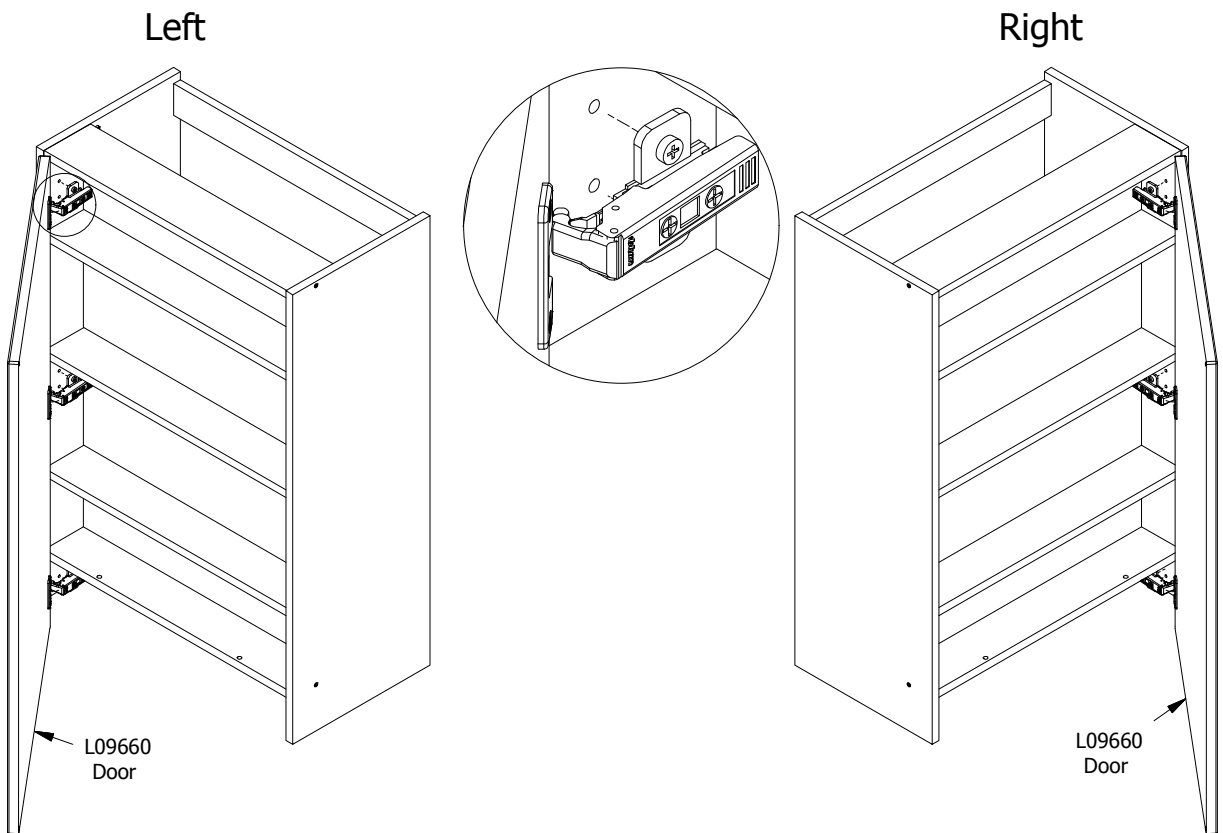


FIG. 12

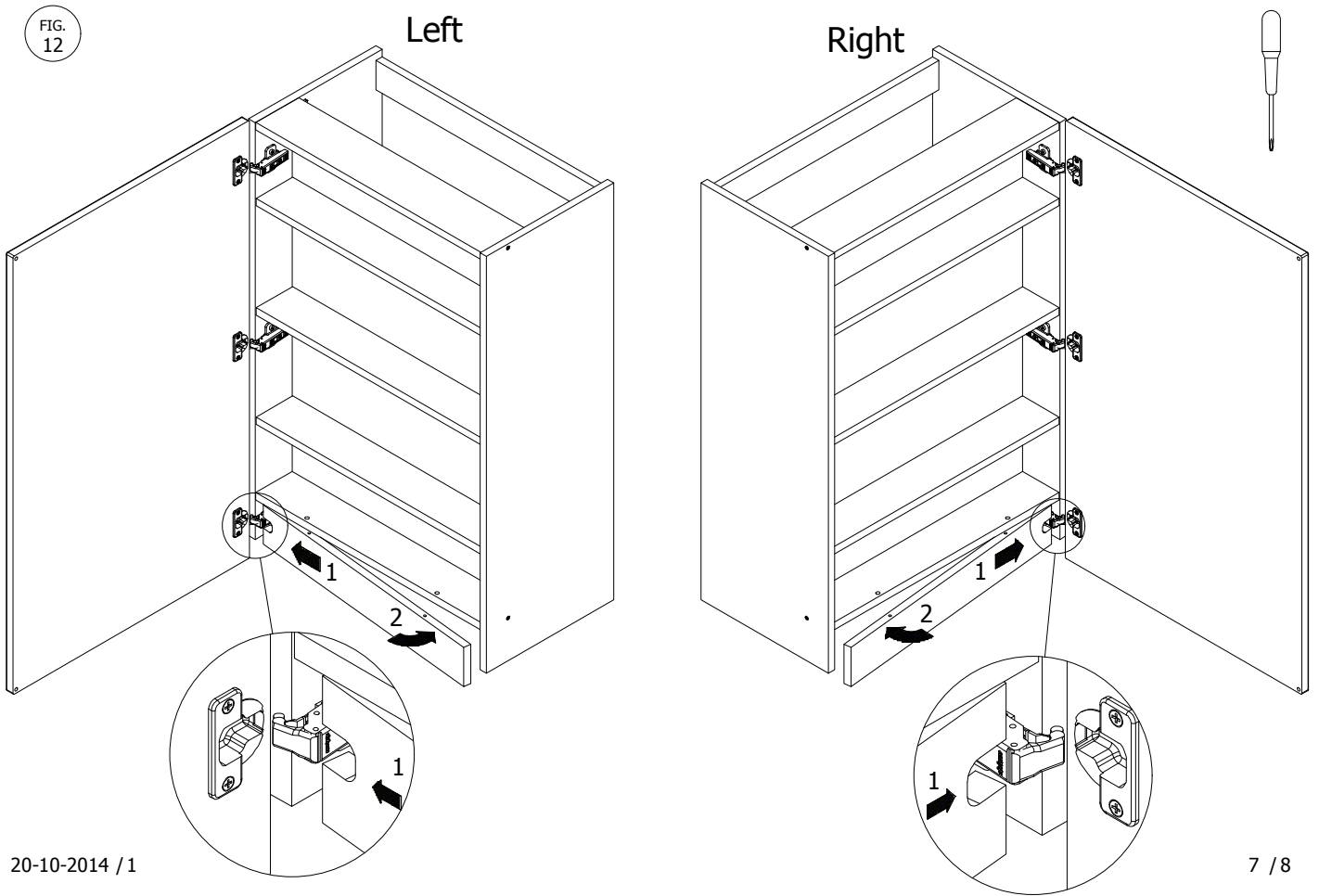
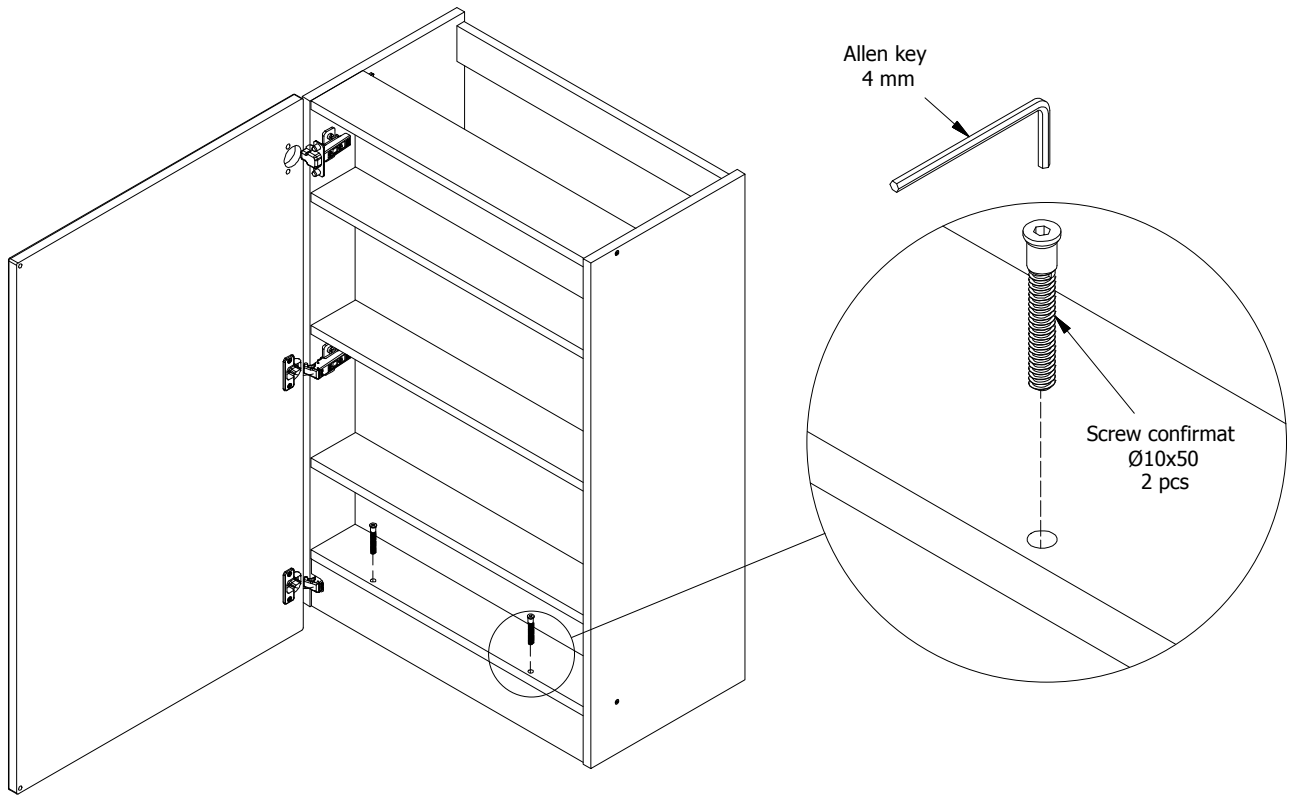


FIG. 13



## Adjustment

