

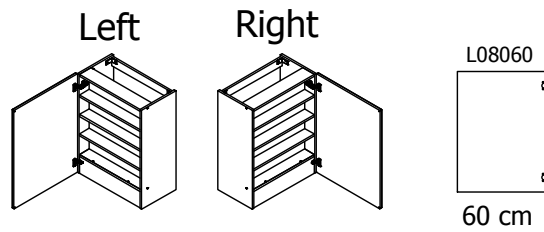
kvik

C680

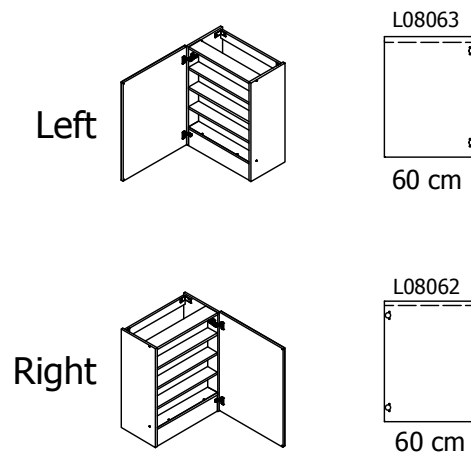


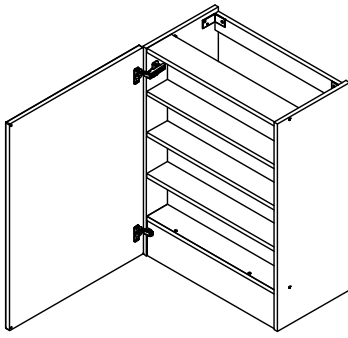
Check out easy
mounting of your kitchen

Front without integrated handle



Front with integrated handle





kvik

C680

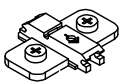
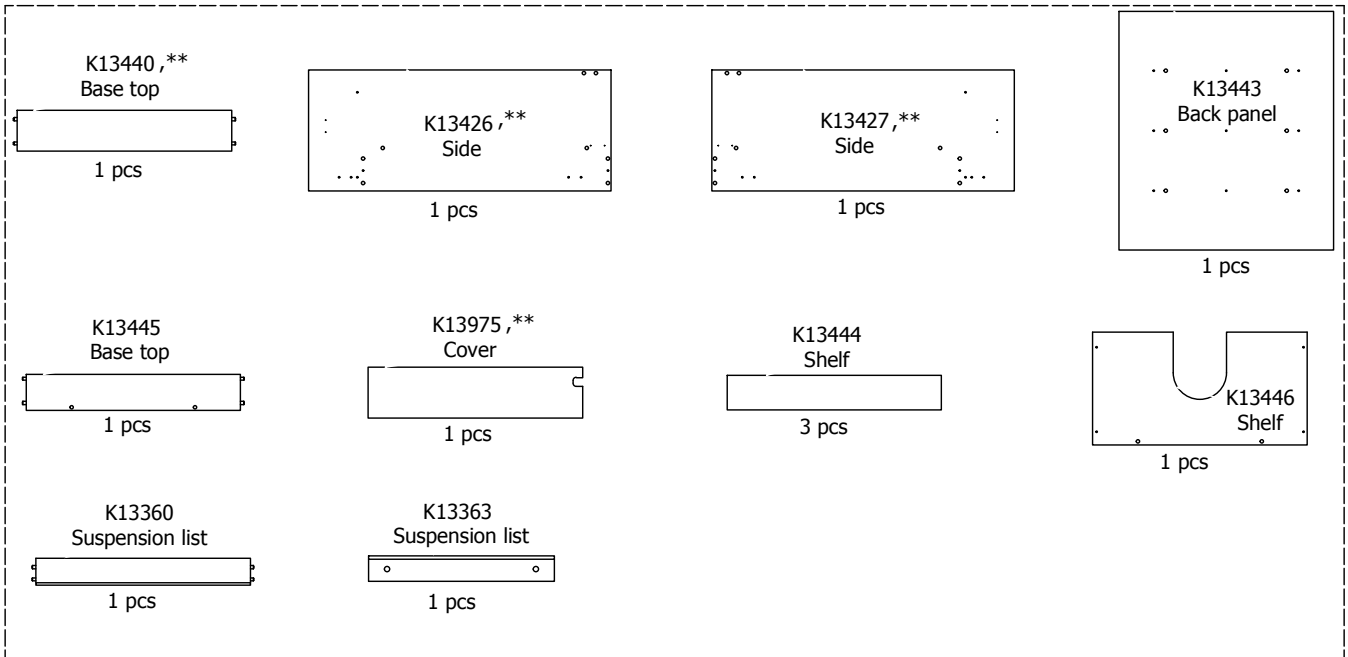


Check out easy
mounting of your kitchen

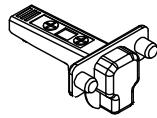
Method 1 (Thermex)

Method 2 (Siemens/Bosch)

DC80,060,000 / 176

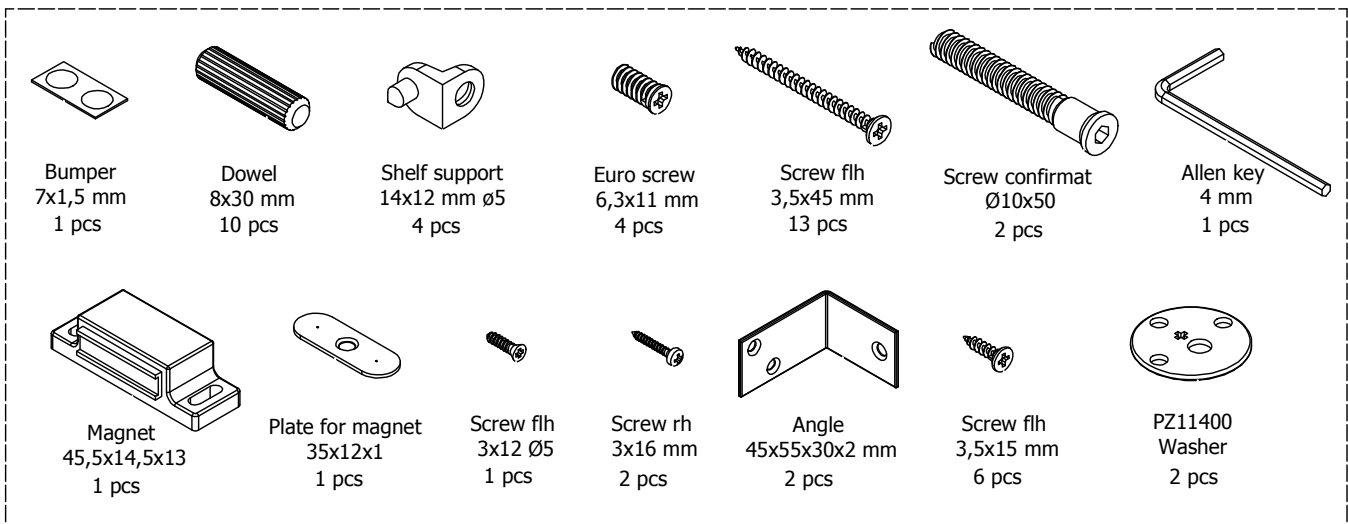


BP00417
Mounting plate
2 pcs



BP00418
Hinge 107 degrees
2 pcs

BP00029-BP11400-BP00250



Method 1 (Thermex)

FIG. 1

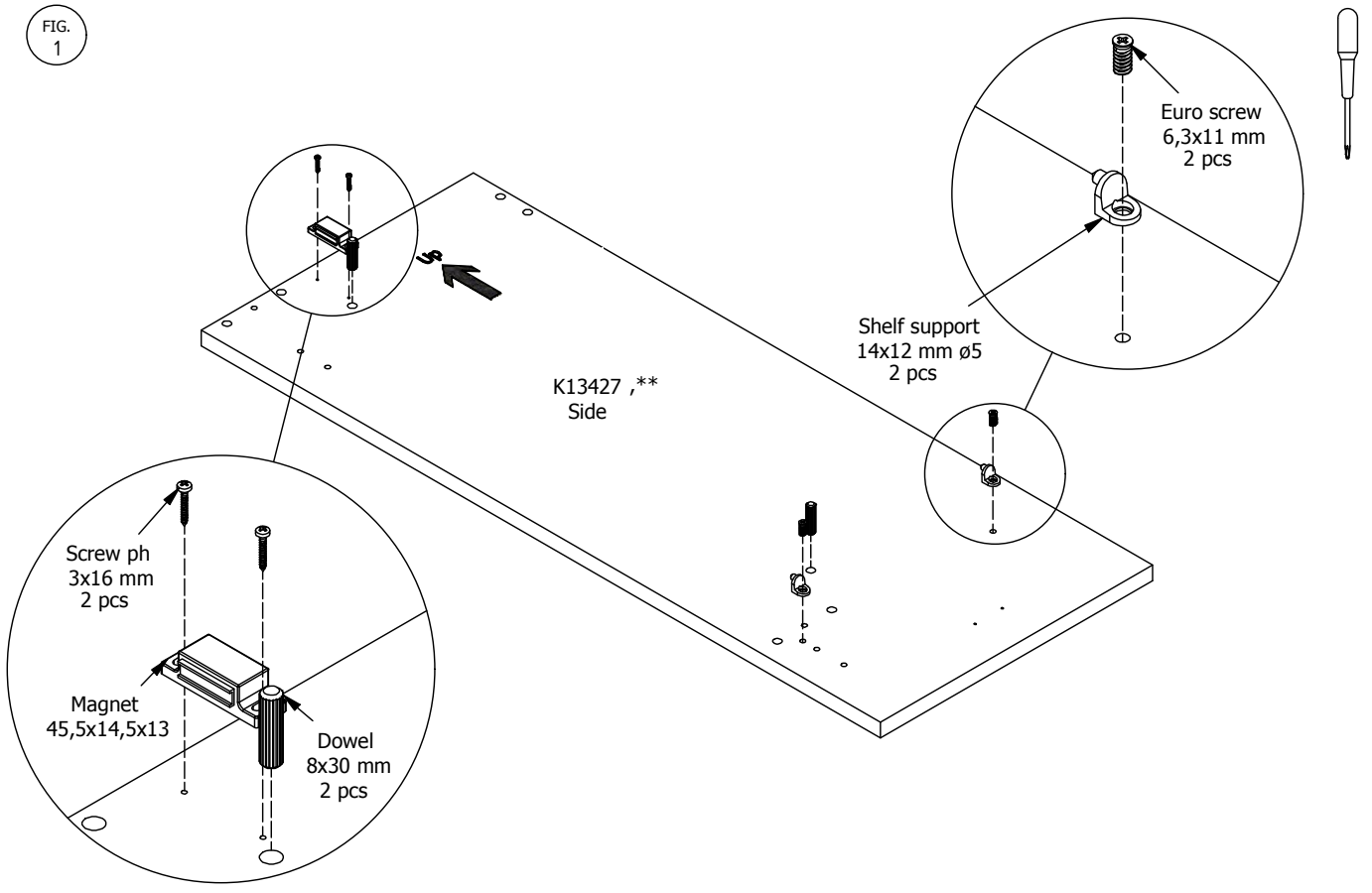


FIG. 2

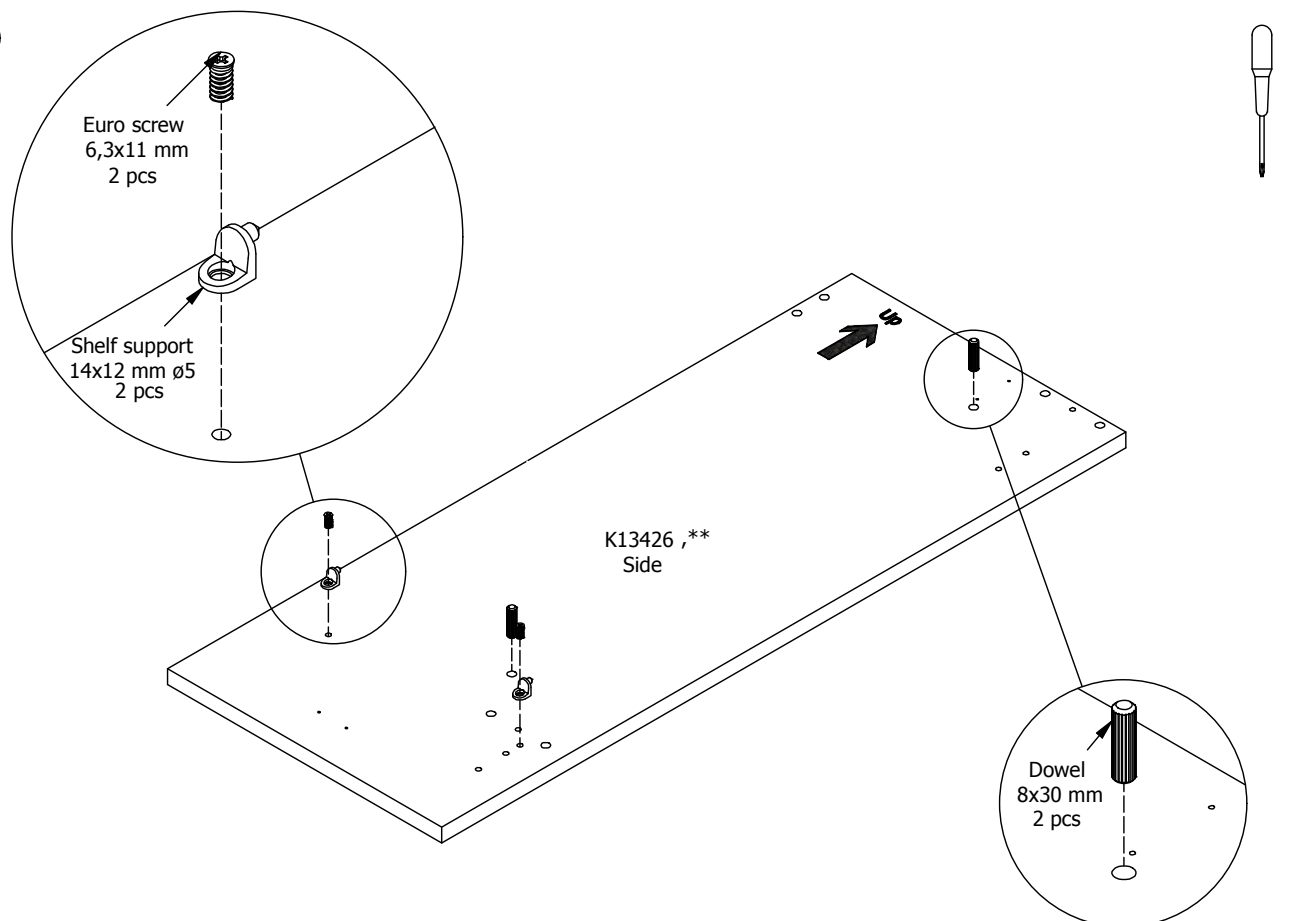


FIG. 3

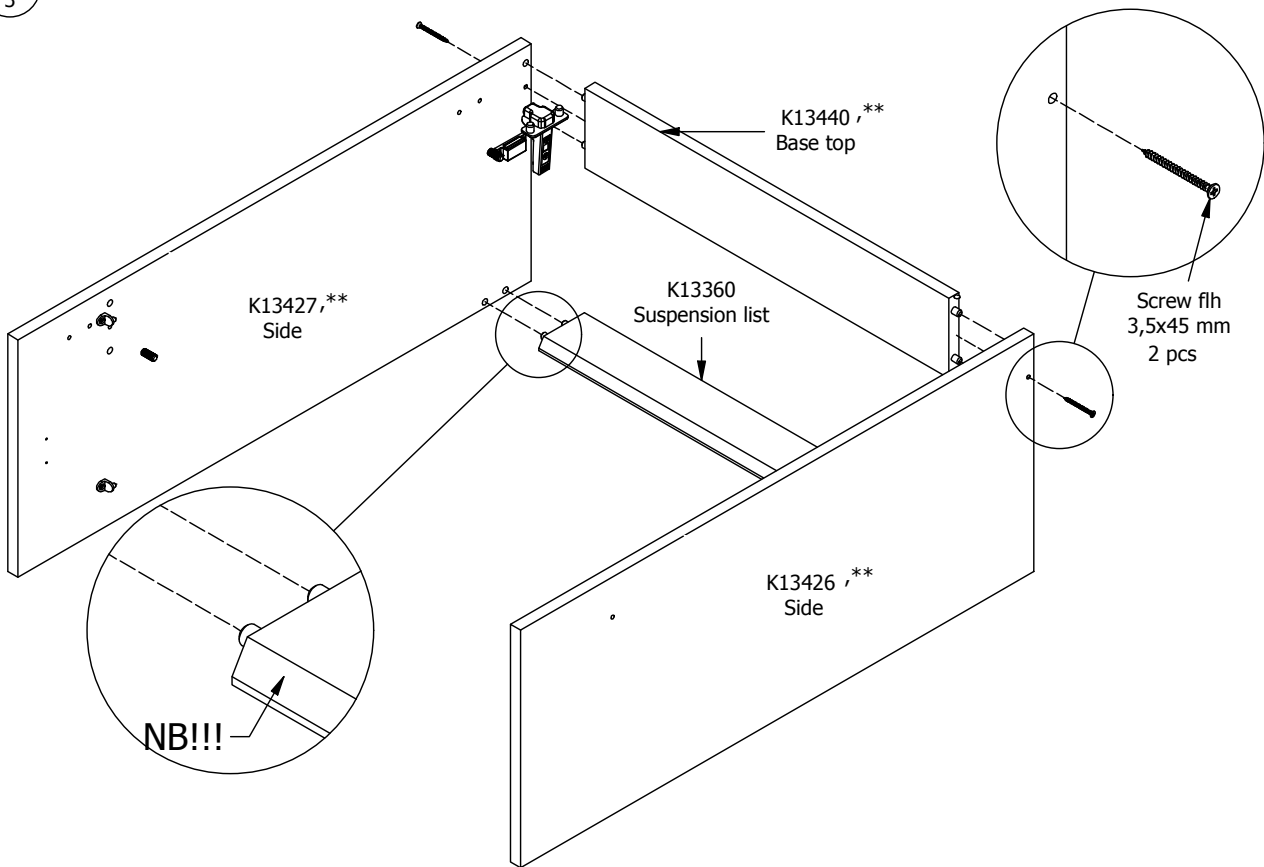


FIG. 4

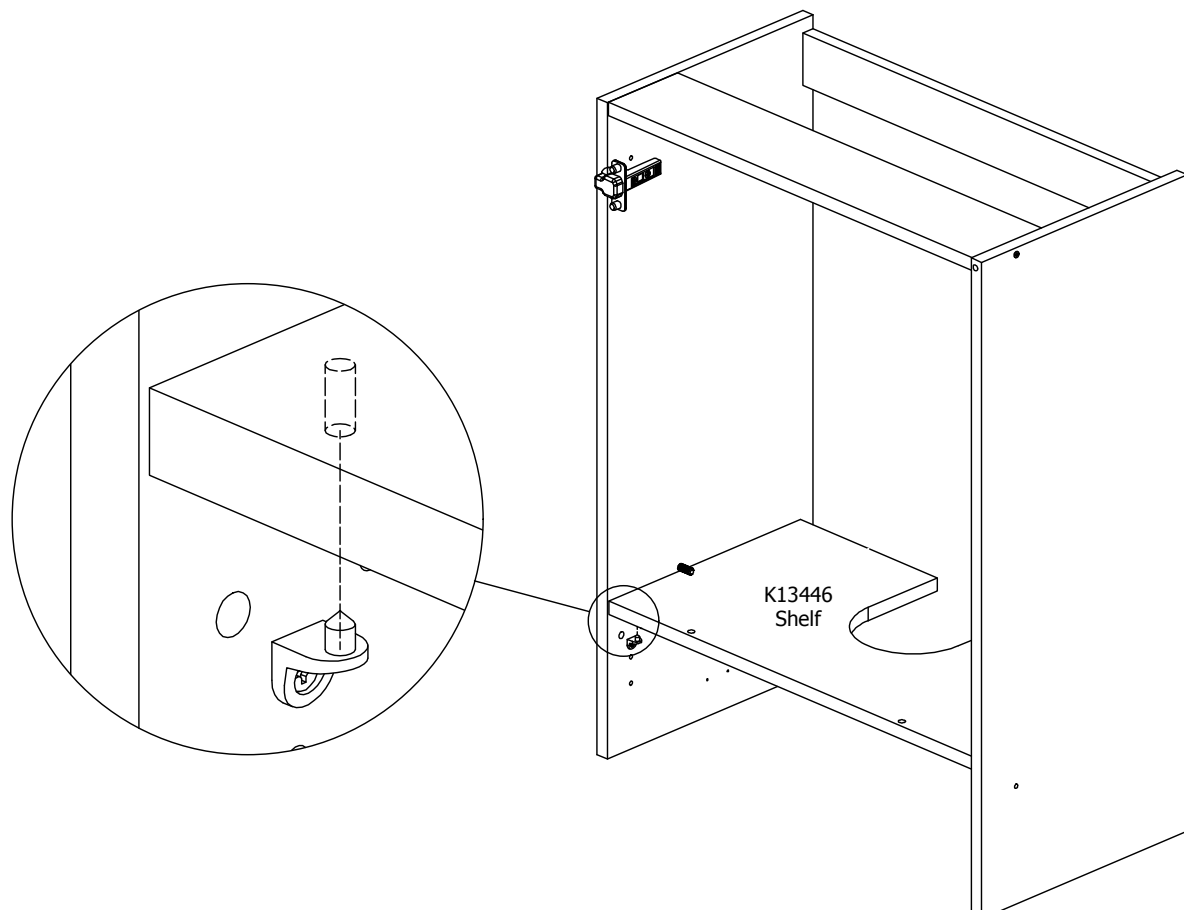


FIG. 5

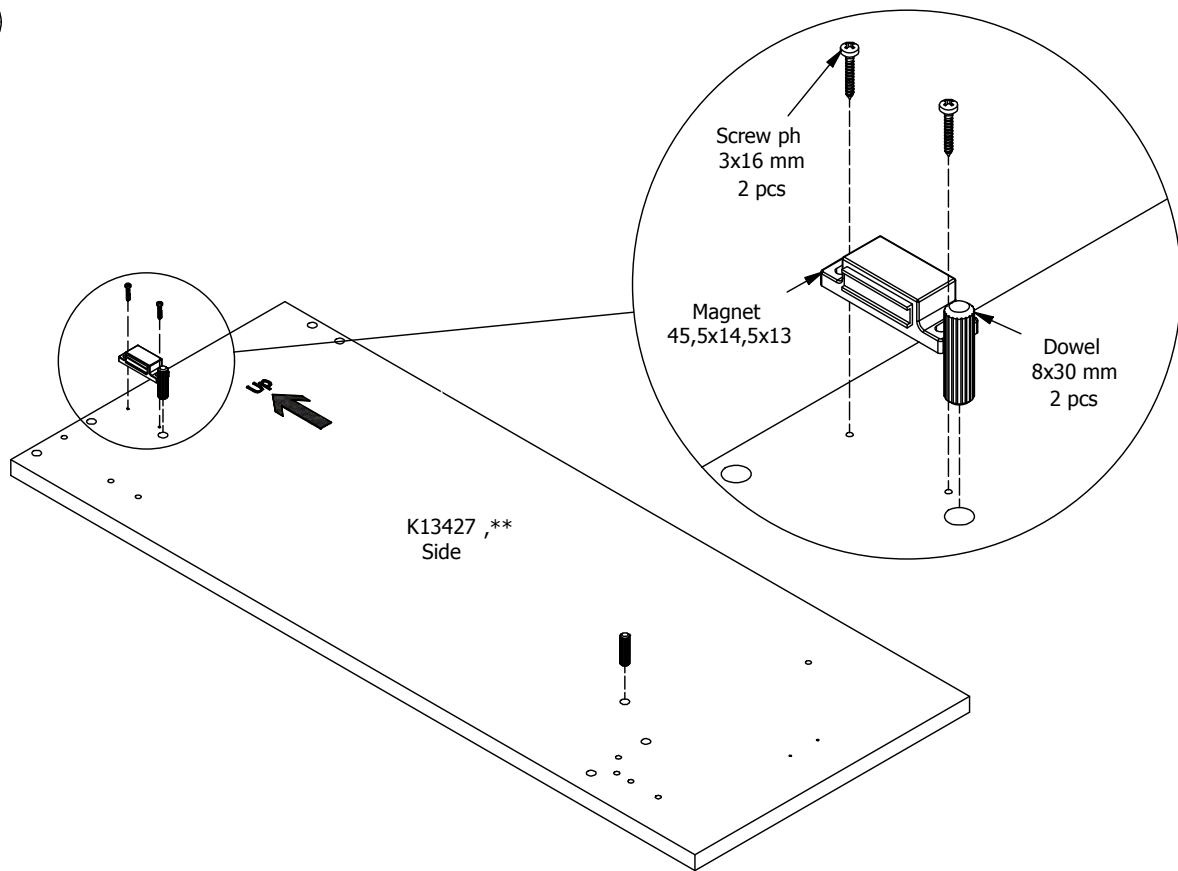


FIG. 6

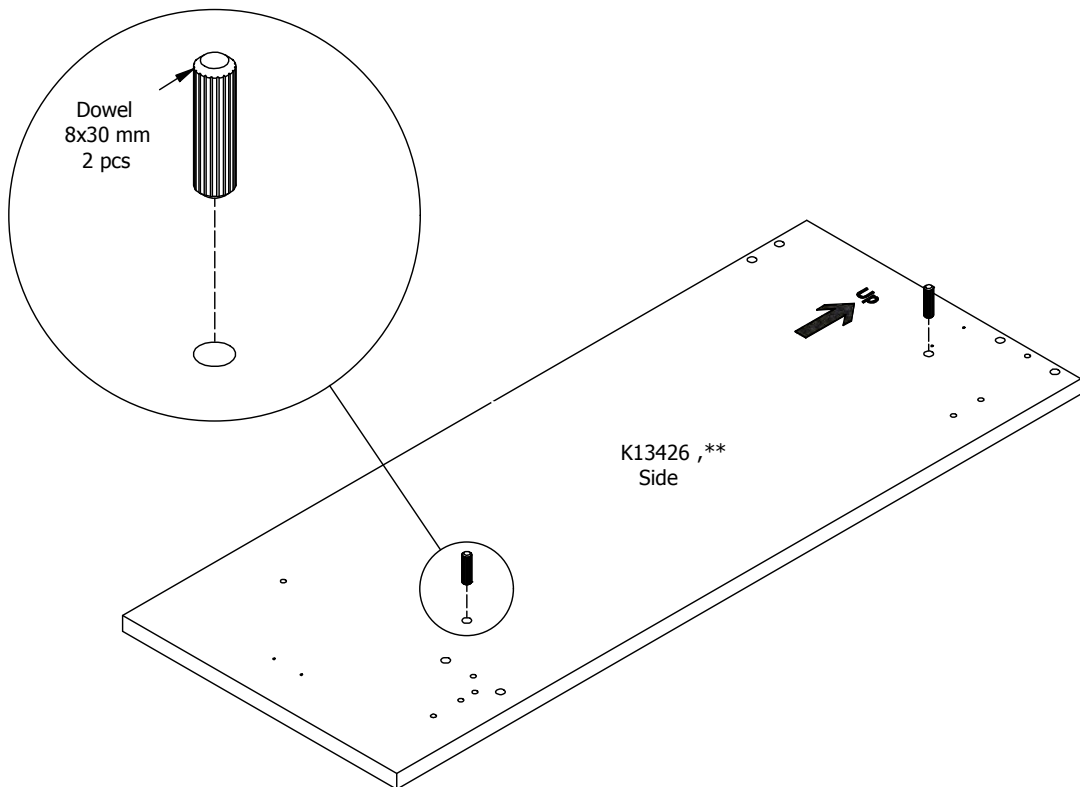


FIG. 7

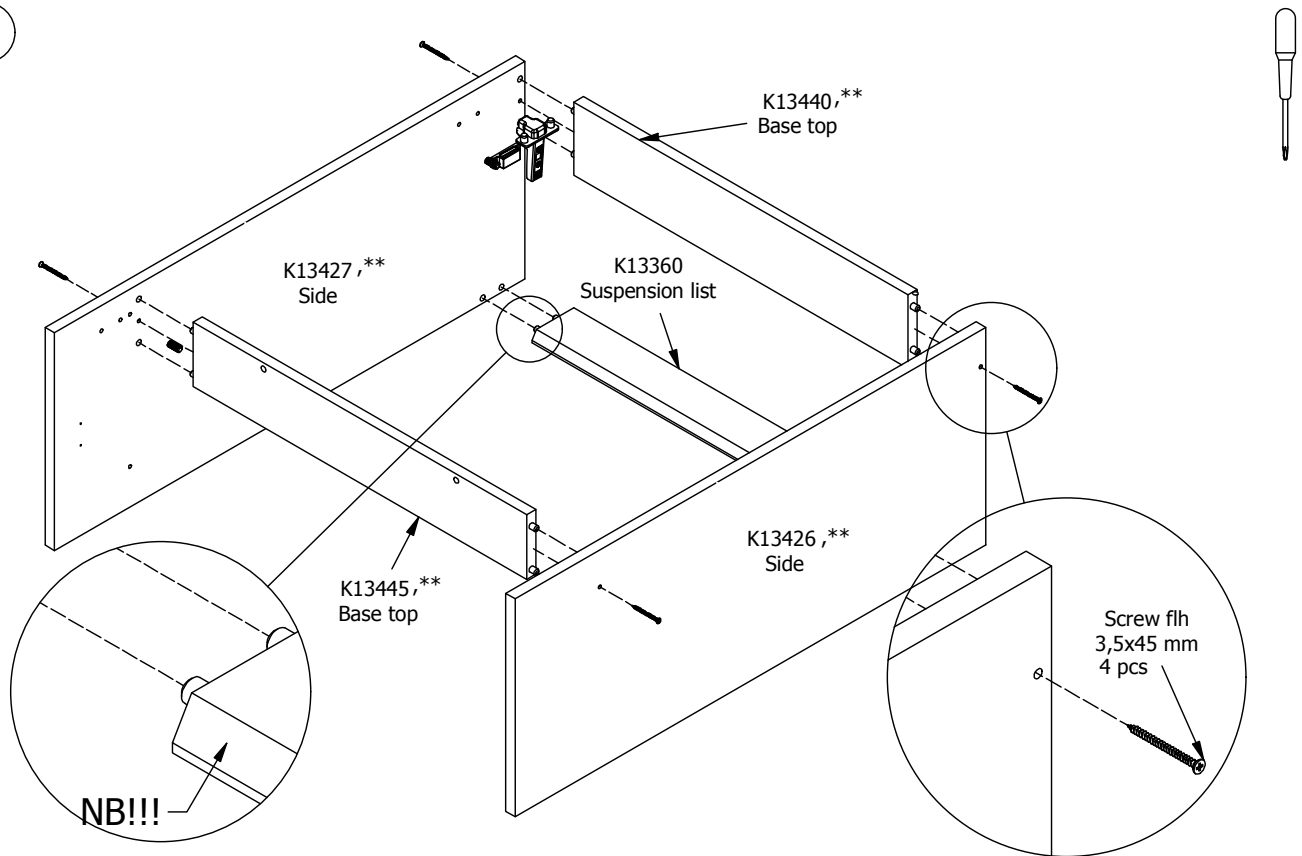


FIG. 8

Method 1 and 2

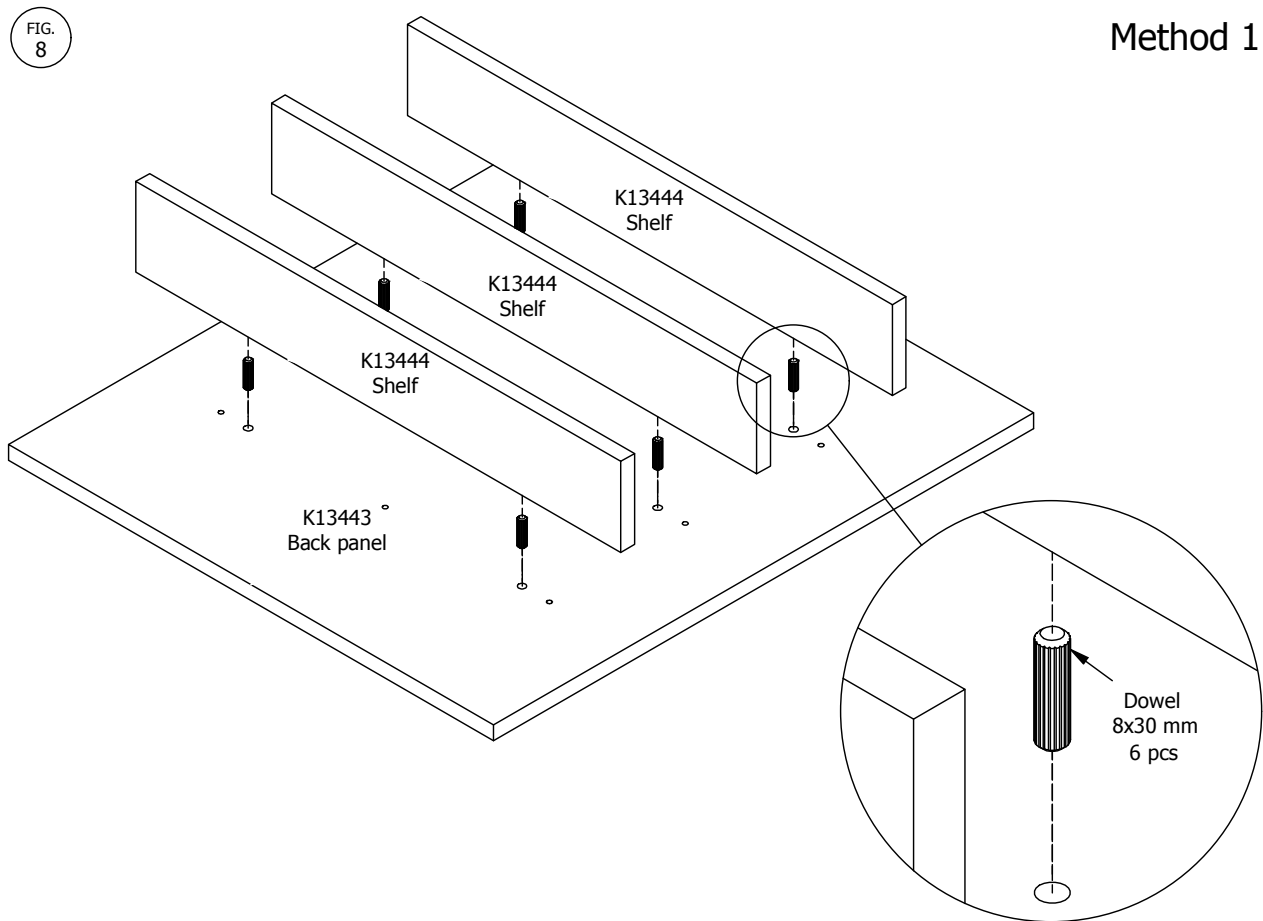


FIG. 9

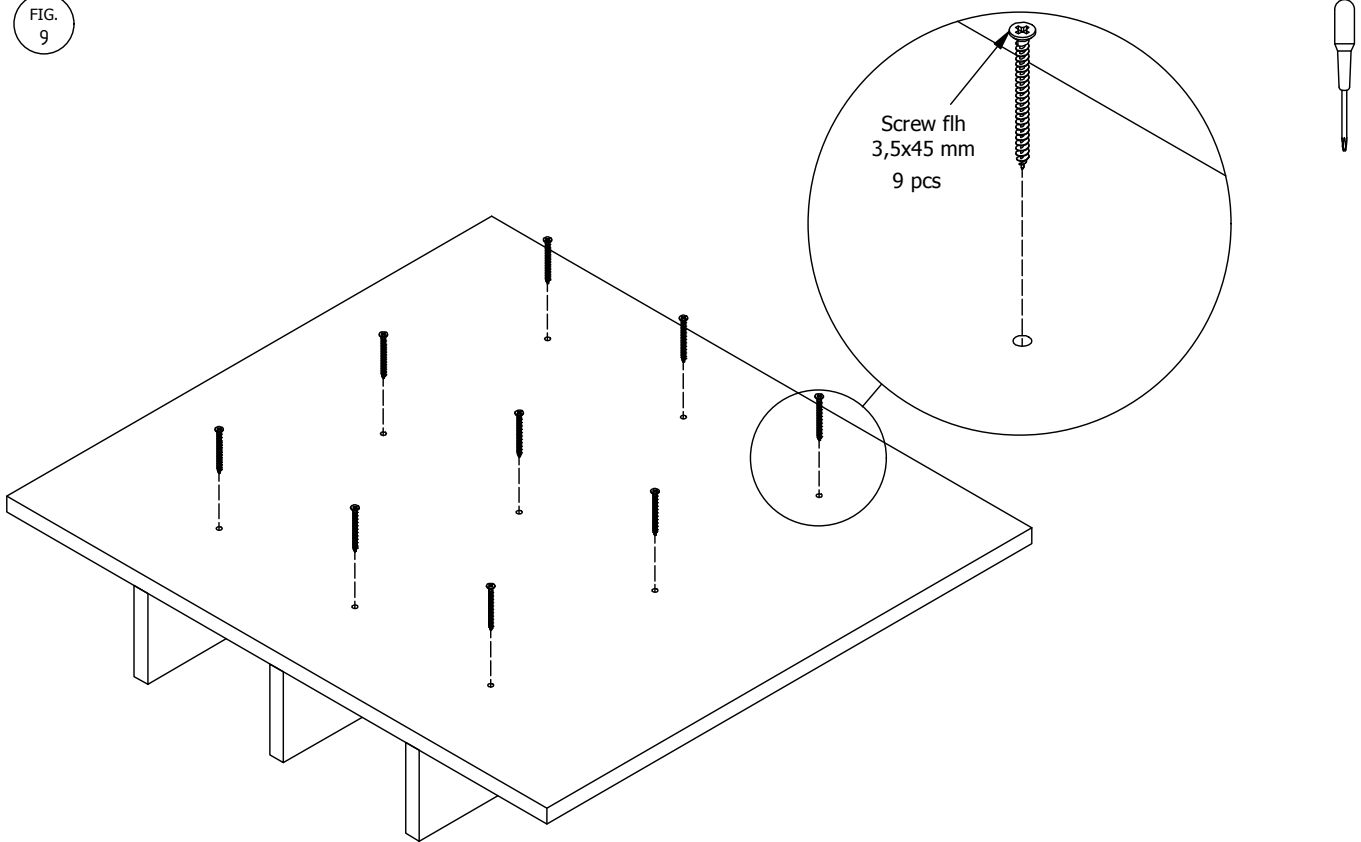


FIG. 10

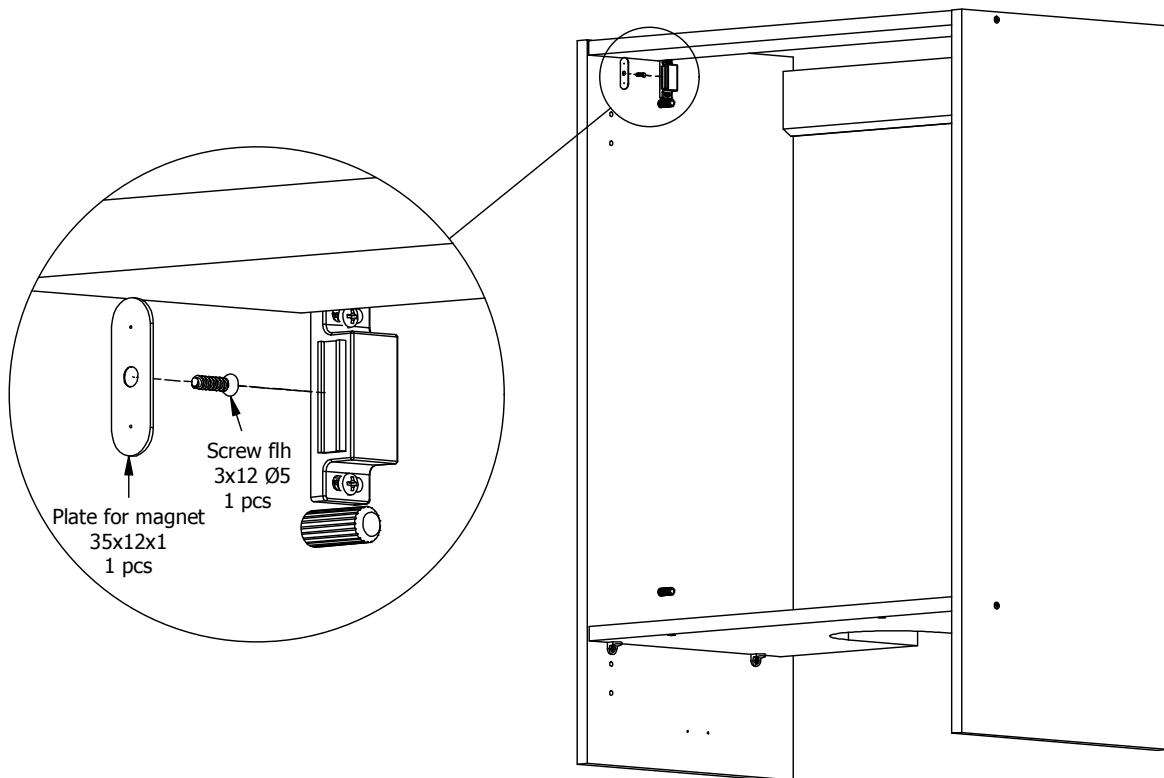


FIG. 11

Push, and the screw will make a mark on the backside, to use to mount the plate for magnet

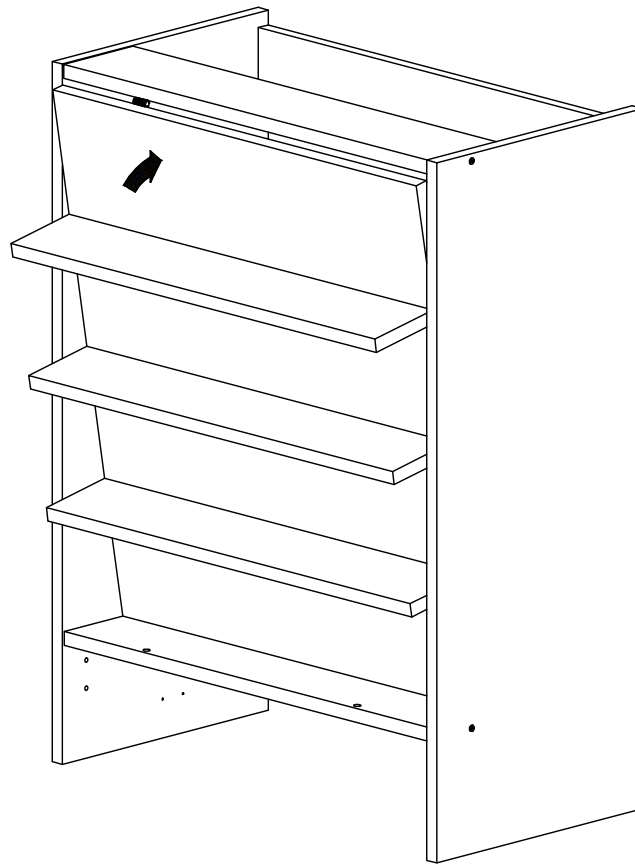


FIG. 12

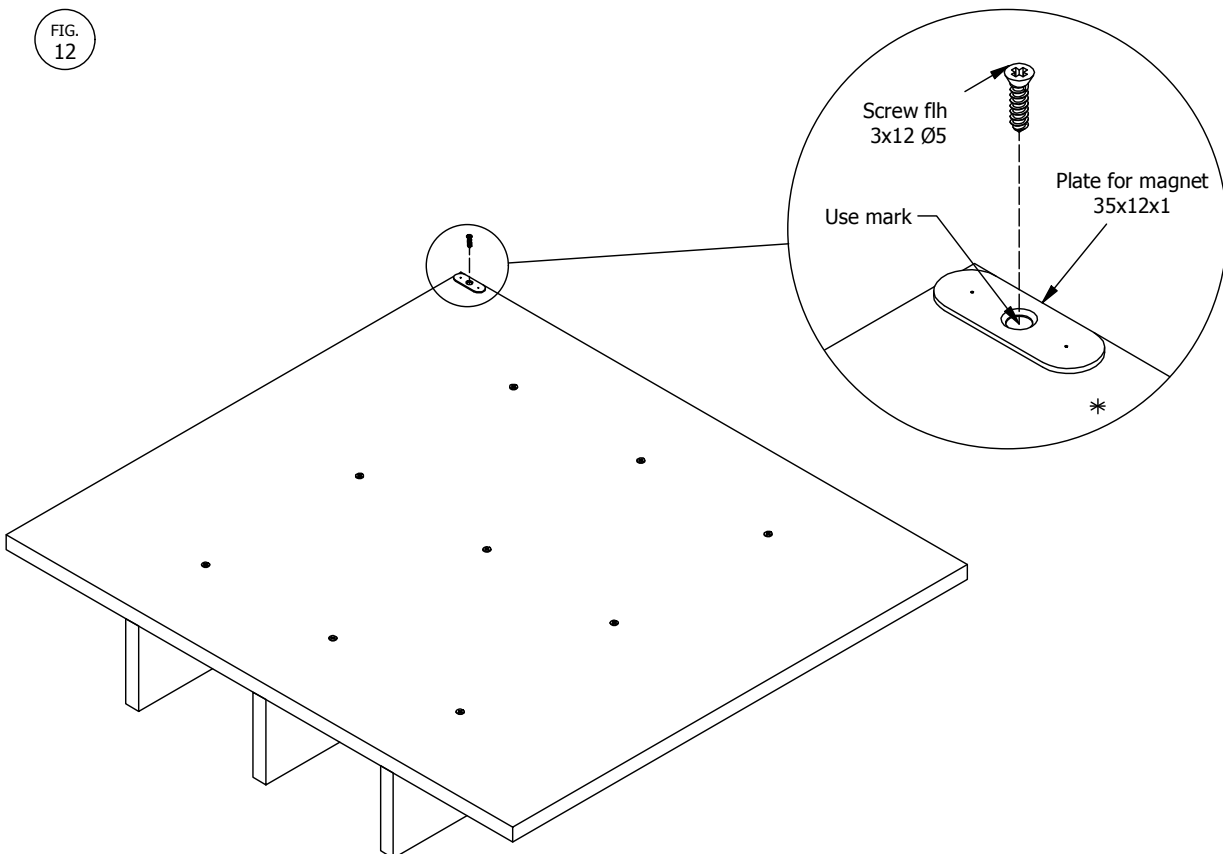


FIG. 13

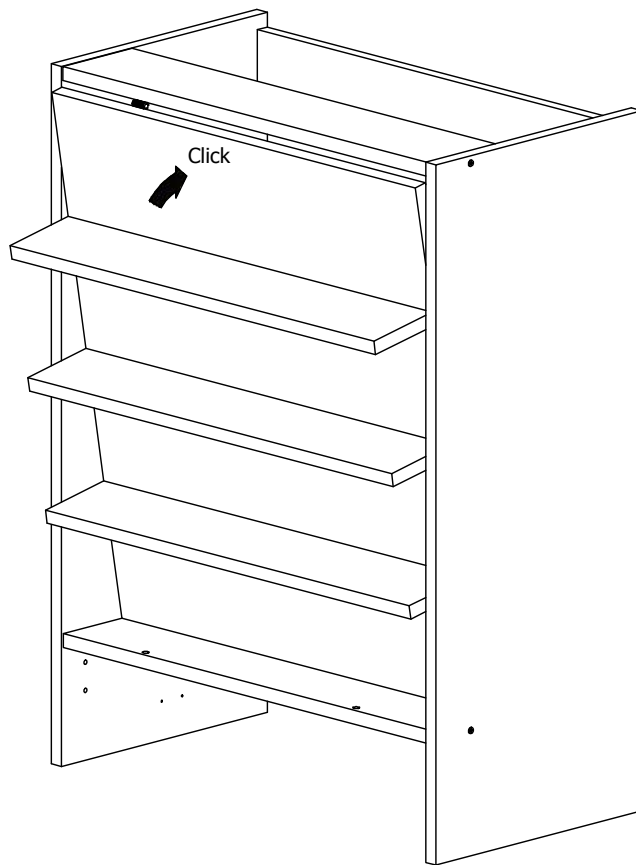


Fig 14

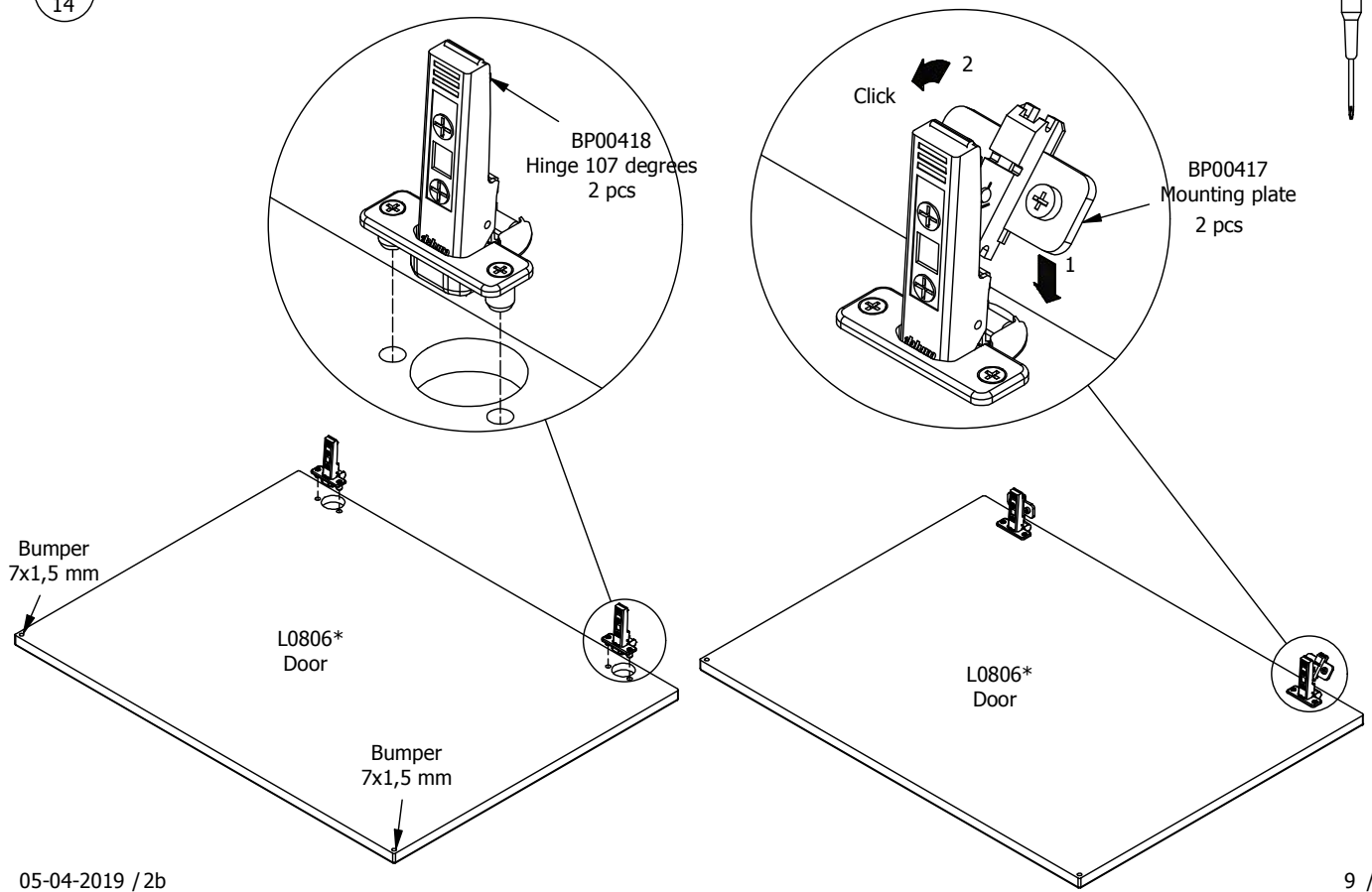


Fig 15

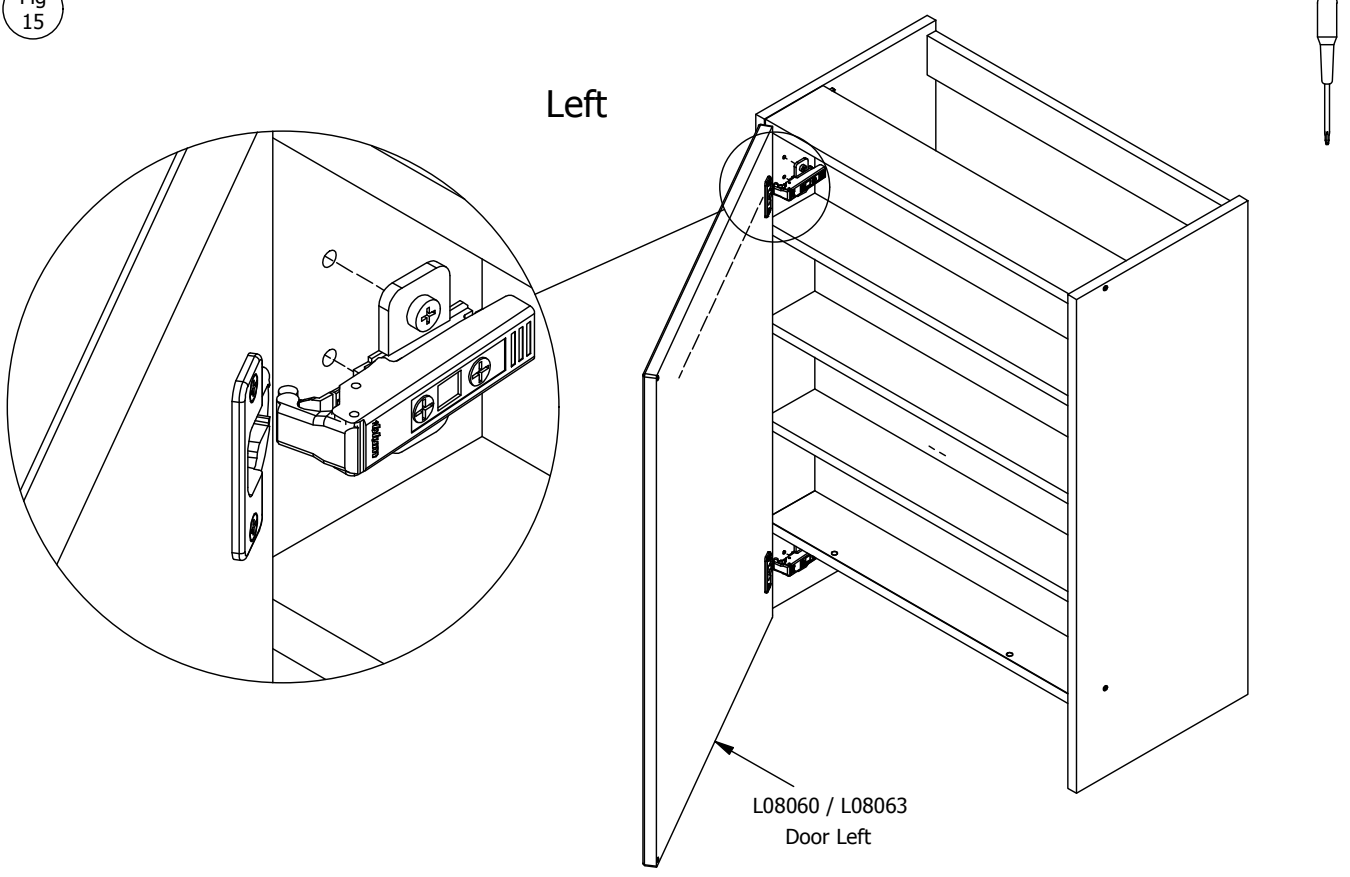


Fig 16

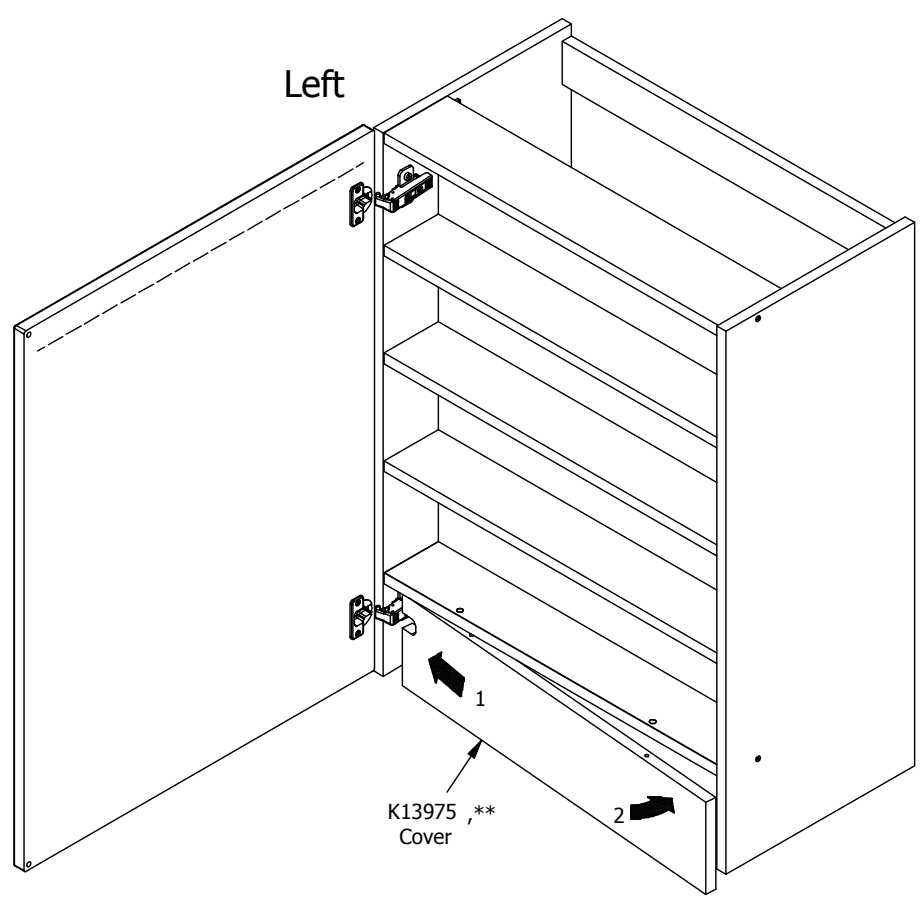


Fig 17

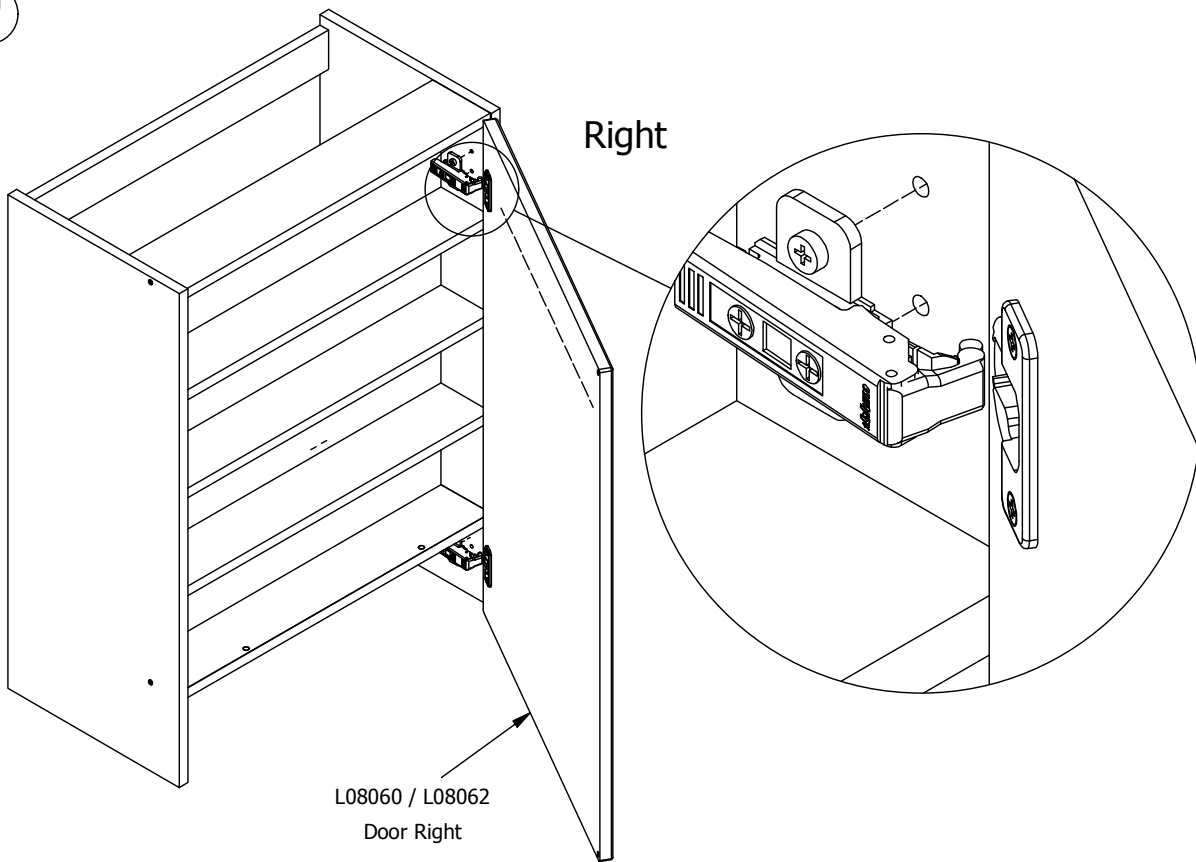


Fig 18

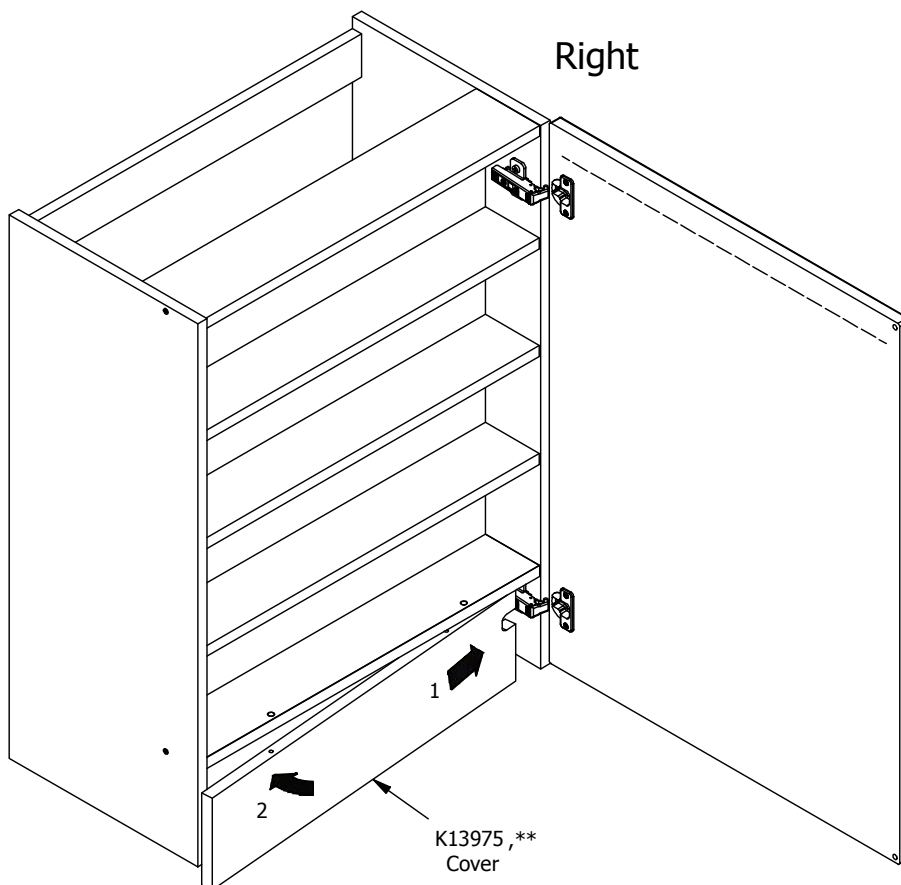
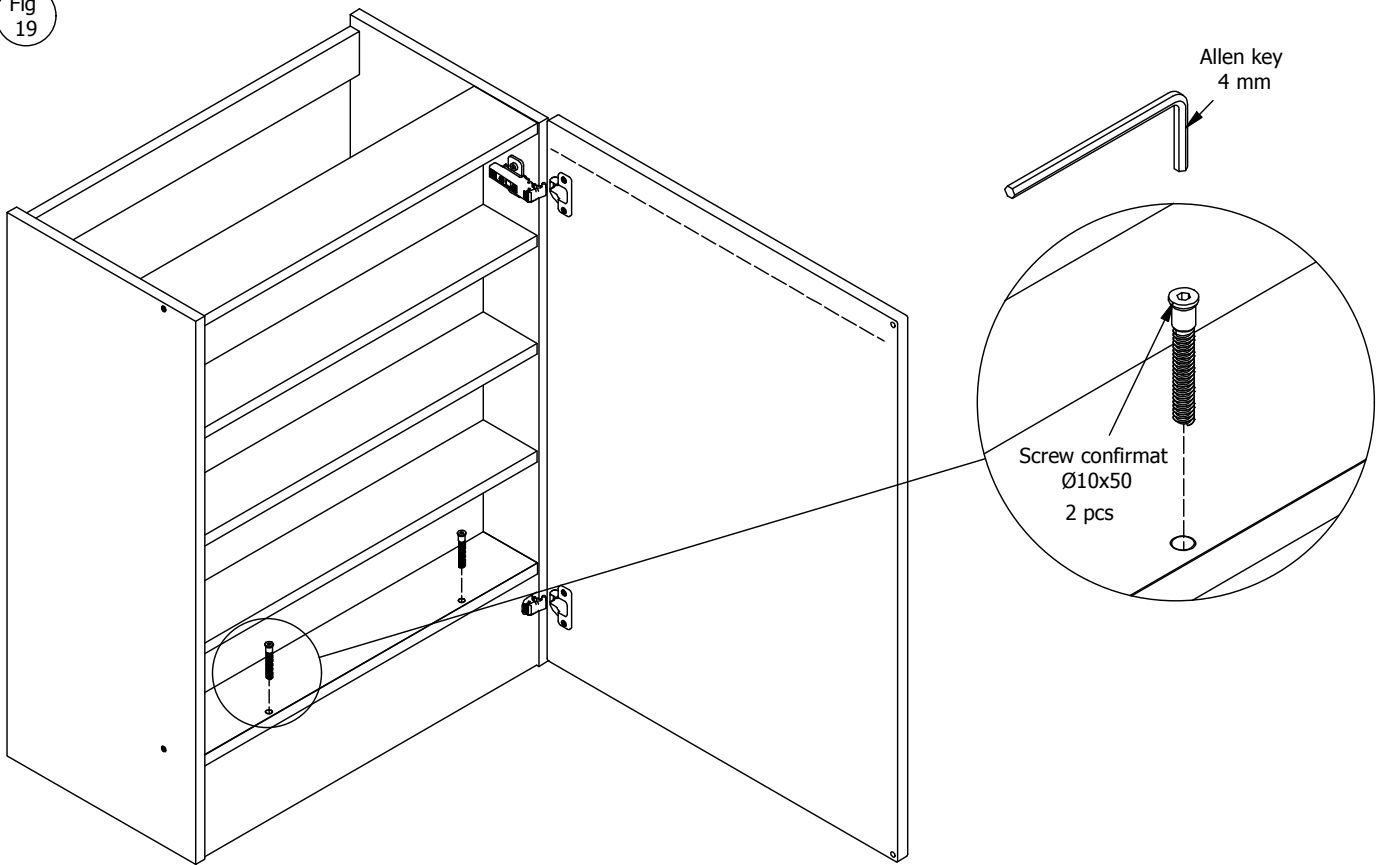


Fig 19



Adjustment

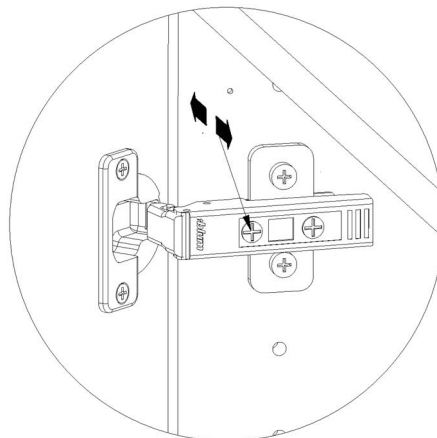
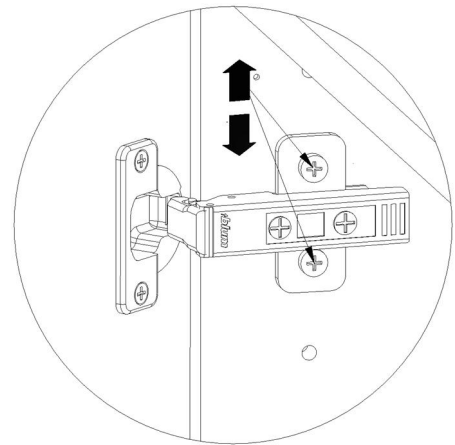
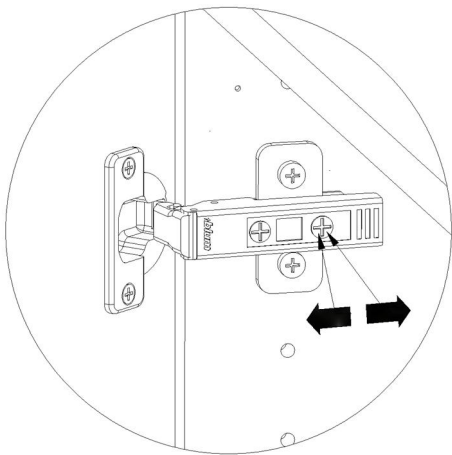
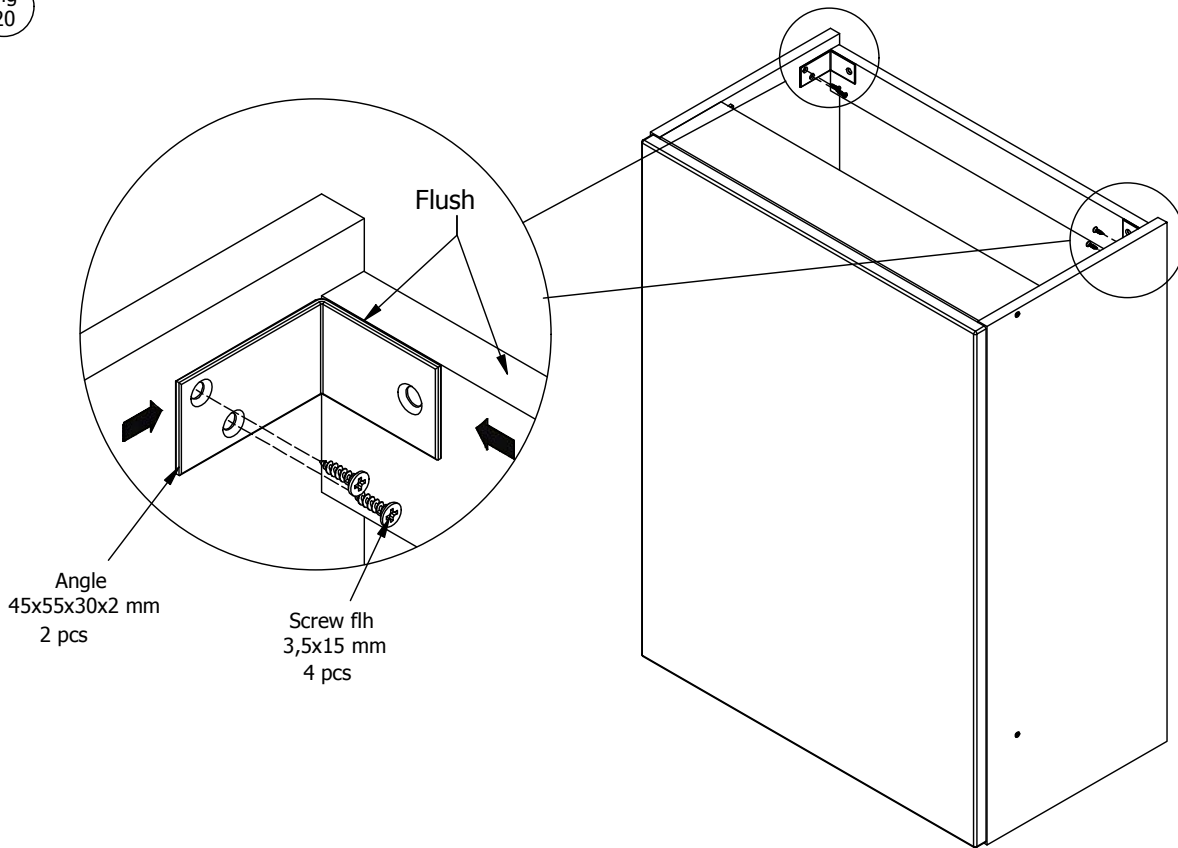


Fig 20



Installation, please read instruction BP11400

