

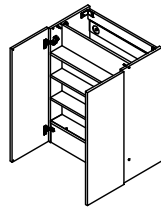
kvik

C680



Check out easy
mounting of your kitchen

Front without integrated handle



L08030



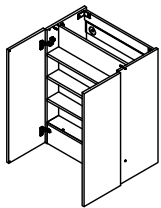
30 cm

L08030



30 cm

Front with integrated handle



L08231

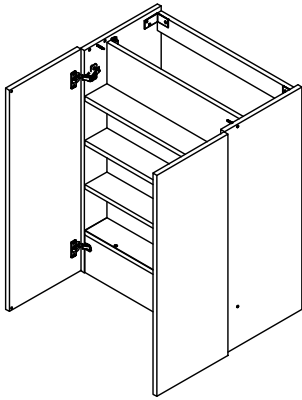


30 cm

L08232



30 cm



kvik

C680

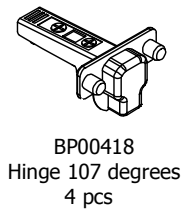
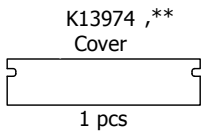
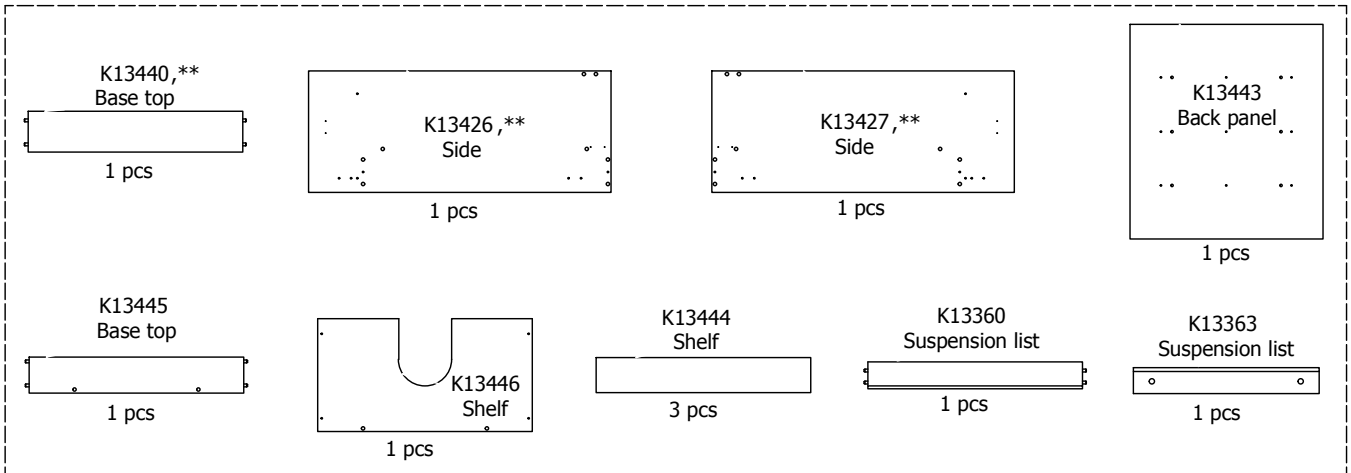


Check out easy
mounting of your kitchen

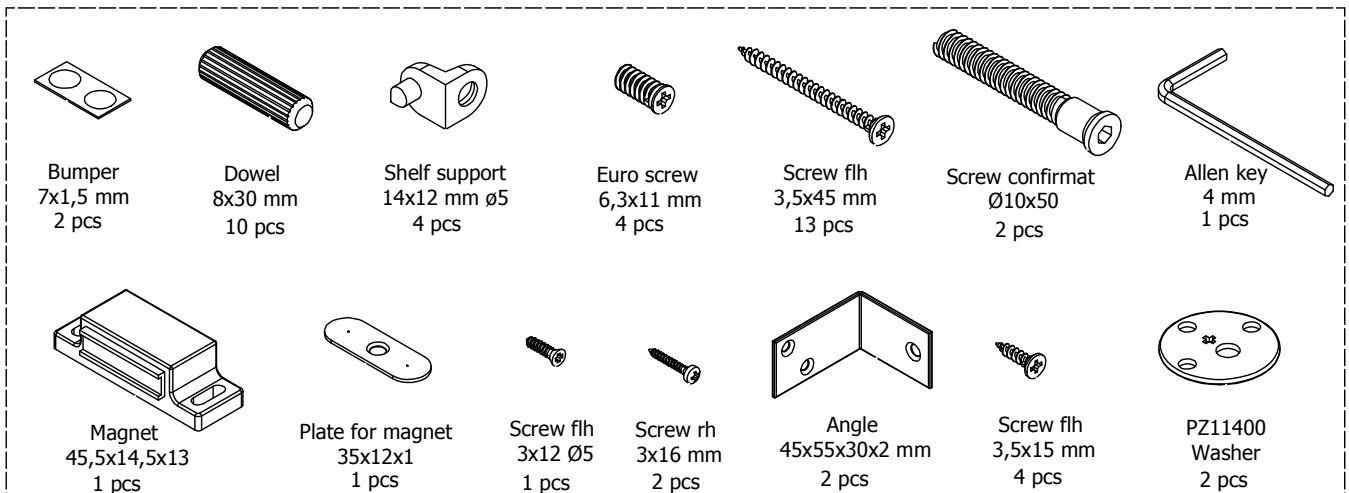
Method 1 (Thermex)

Method 2 (Siemens)

DC80,060,000 / 176



BP00029-BP00250-BP11400



Method 1 (Thermex)

FIG. 1

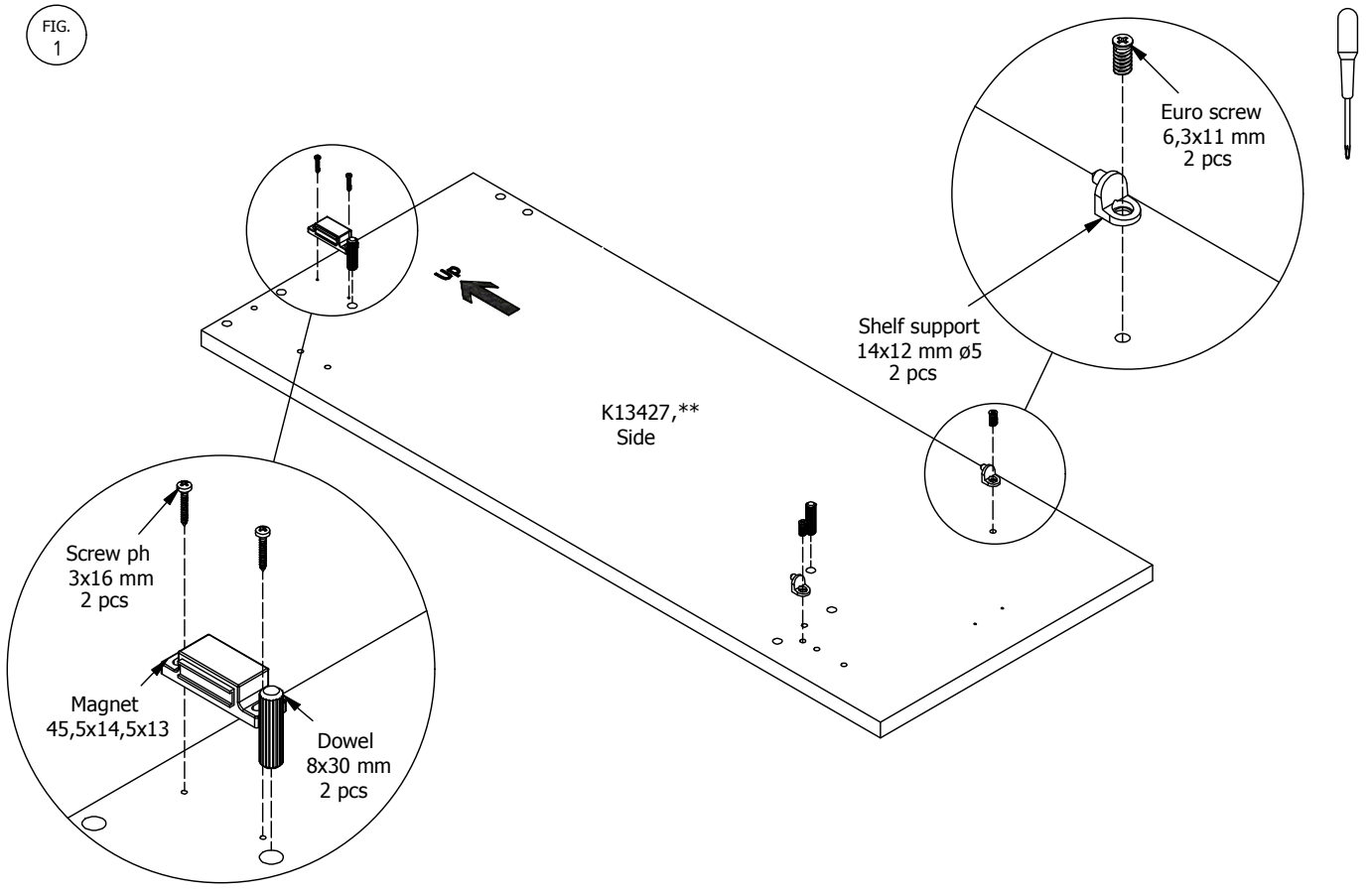


FIG. 2

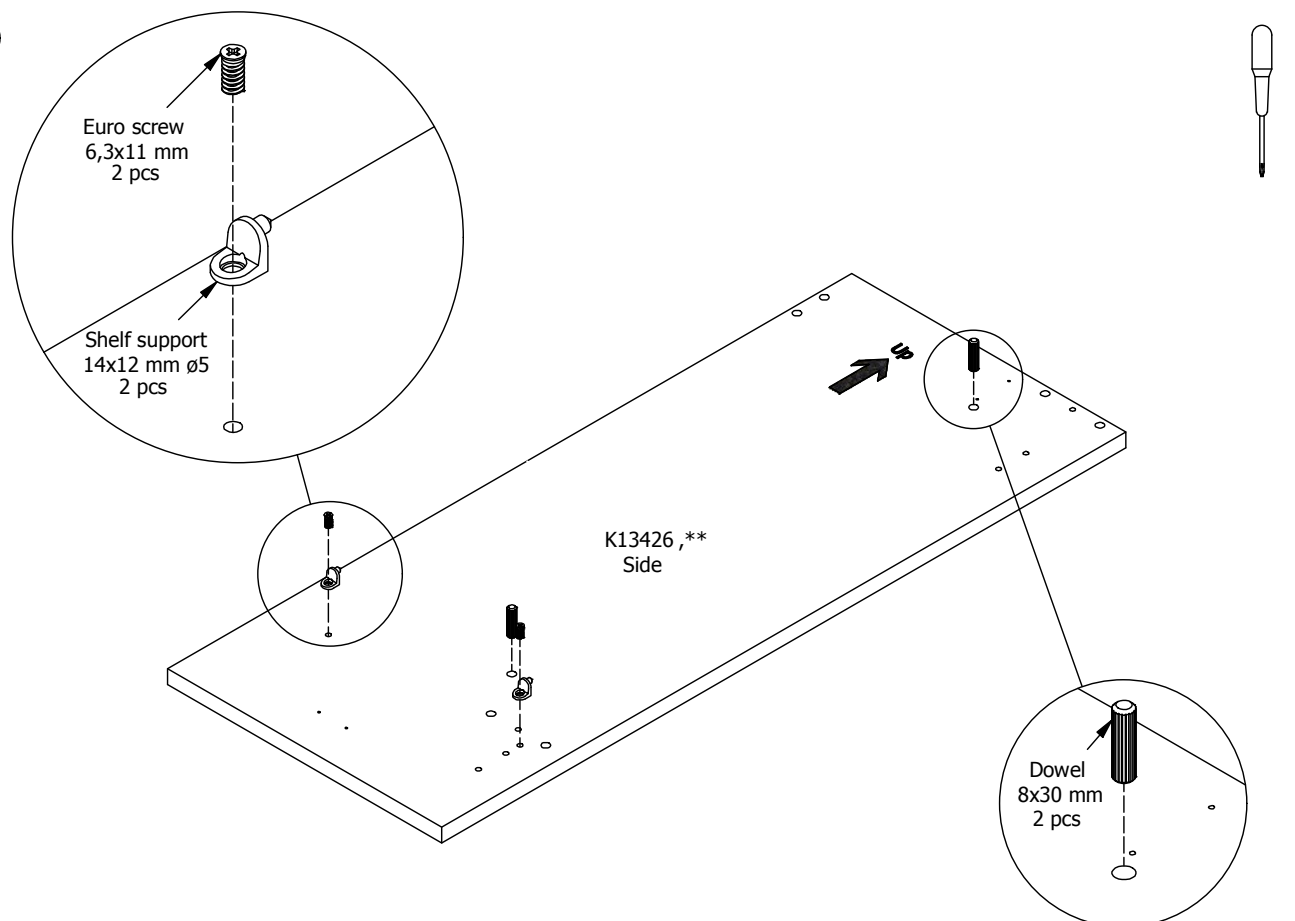


FIG. 3

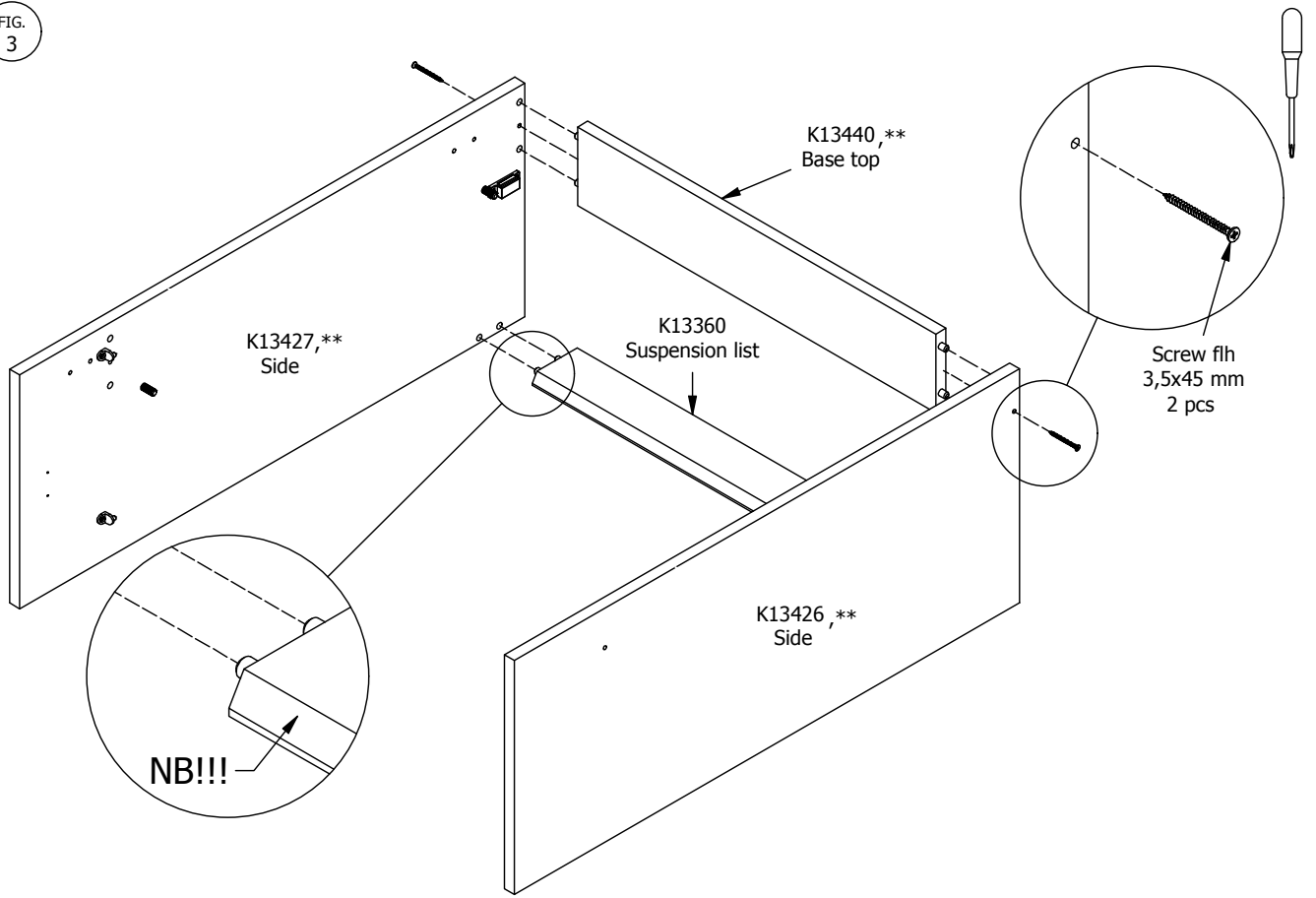


FIG. 4

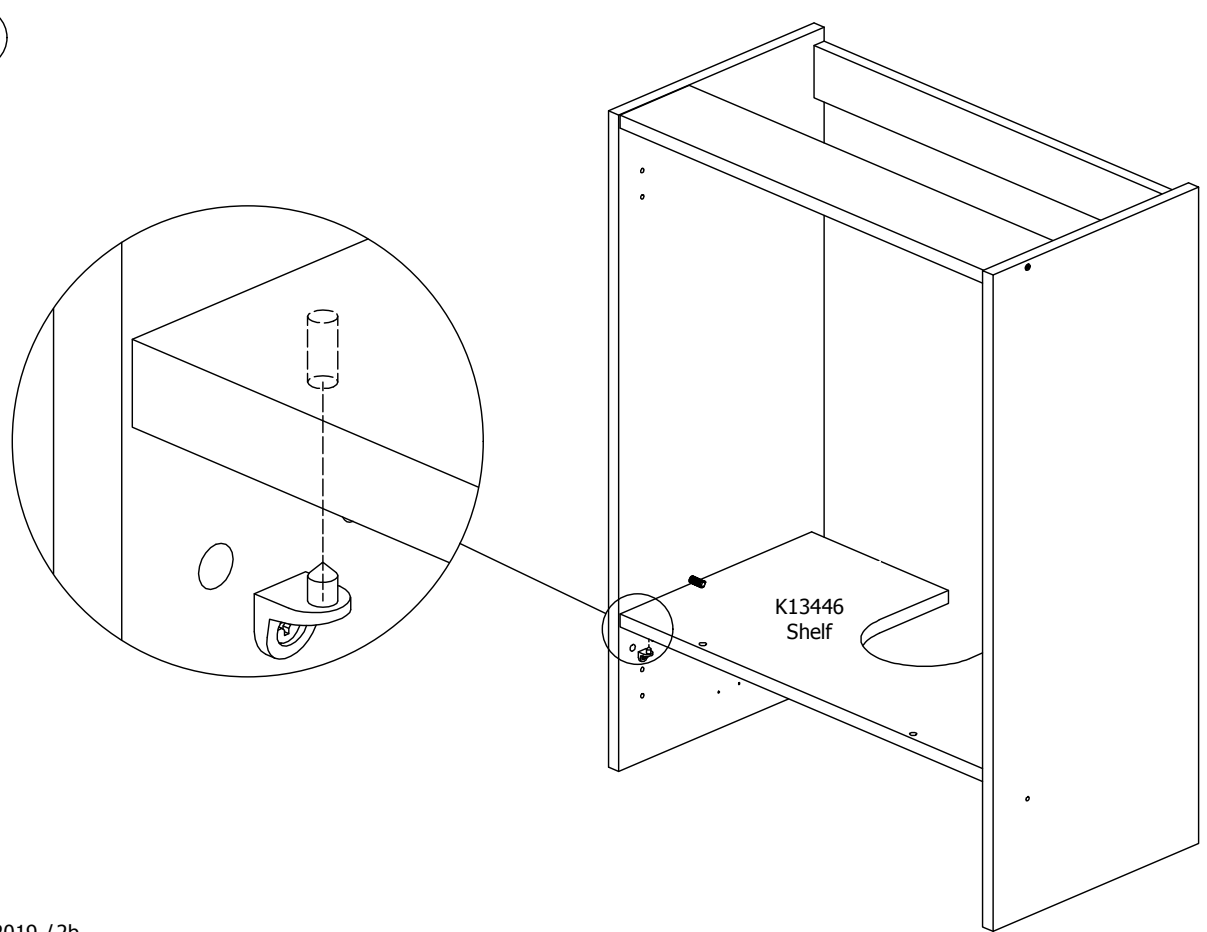


FIG. 5

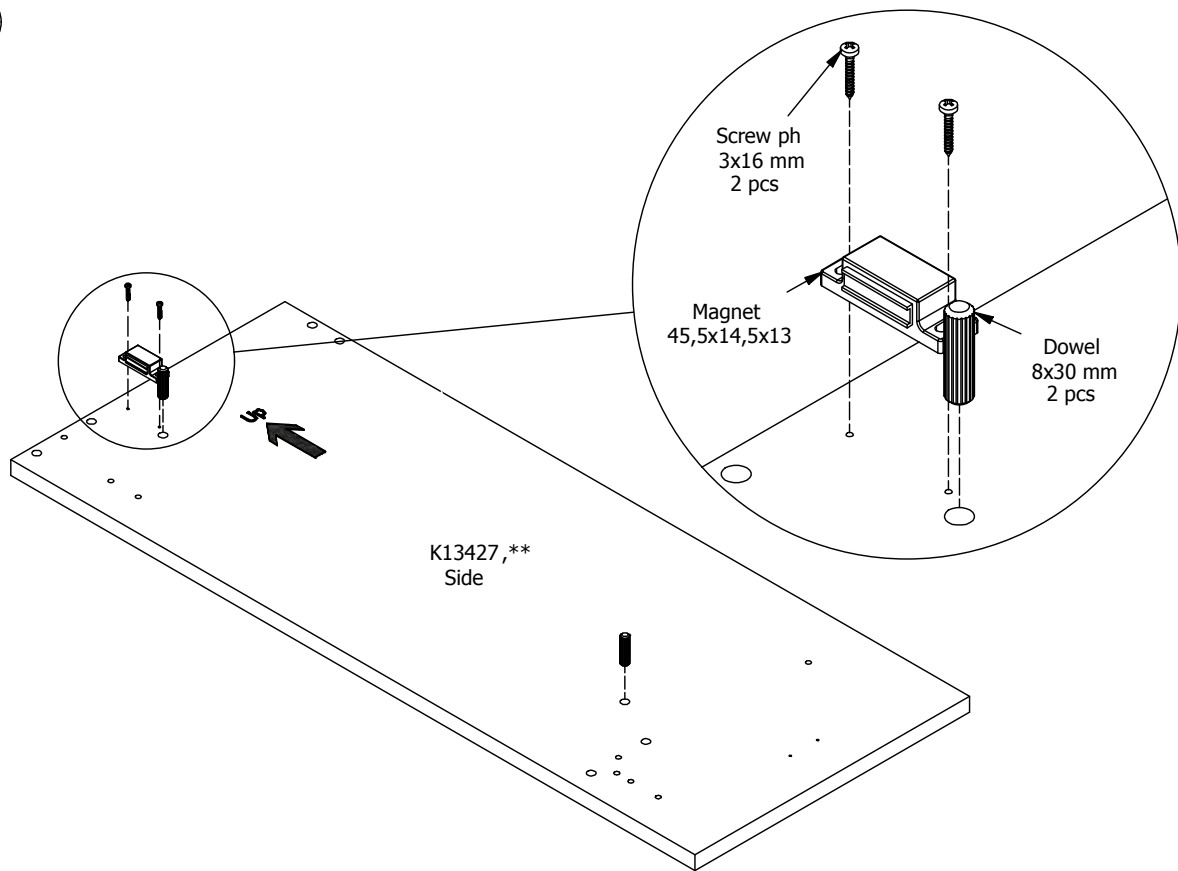


FIG. 6

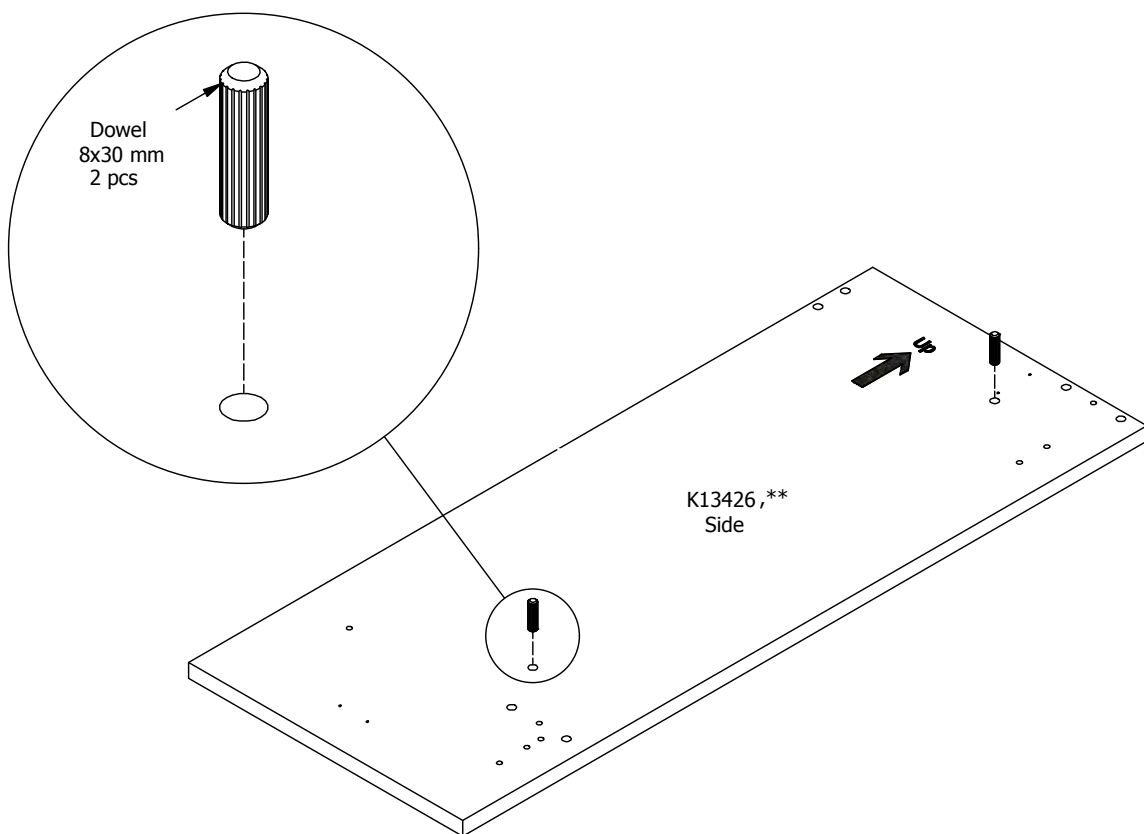


FIG. 7

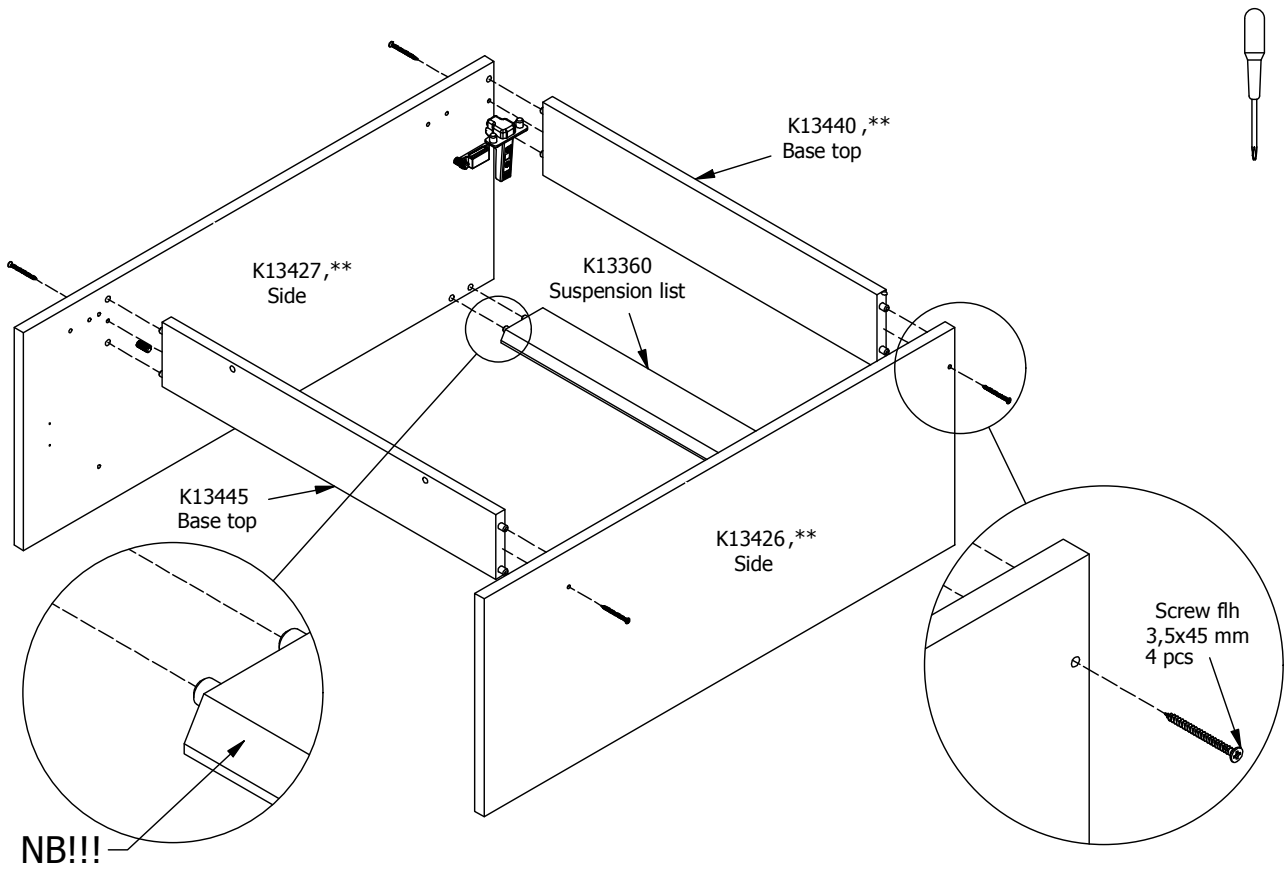


FIG. 8

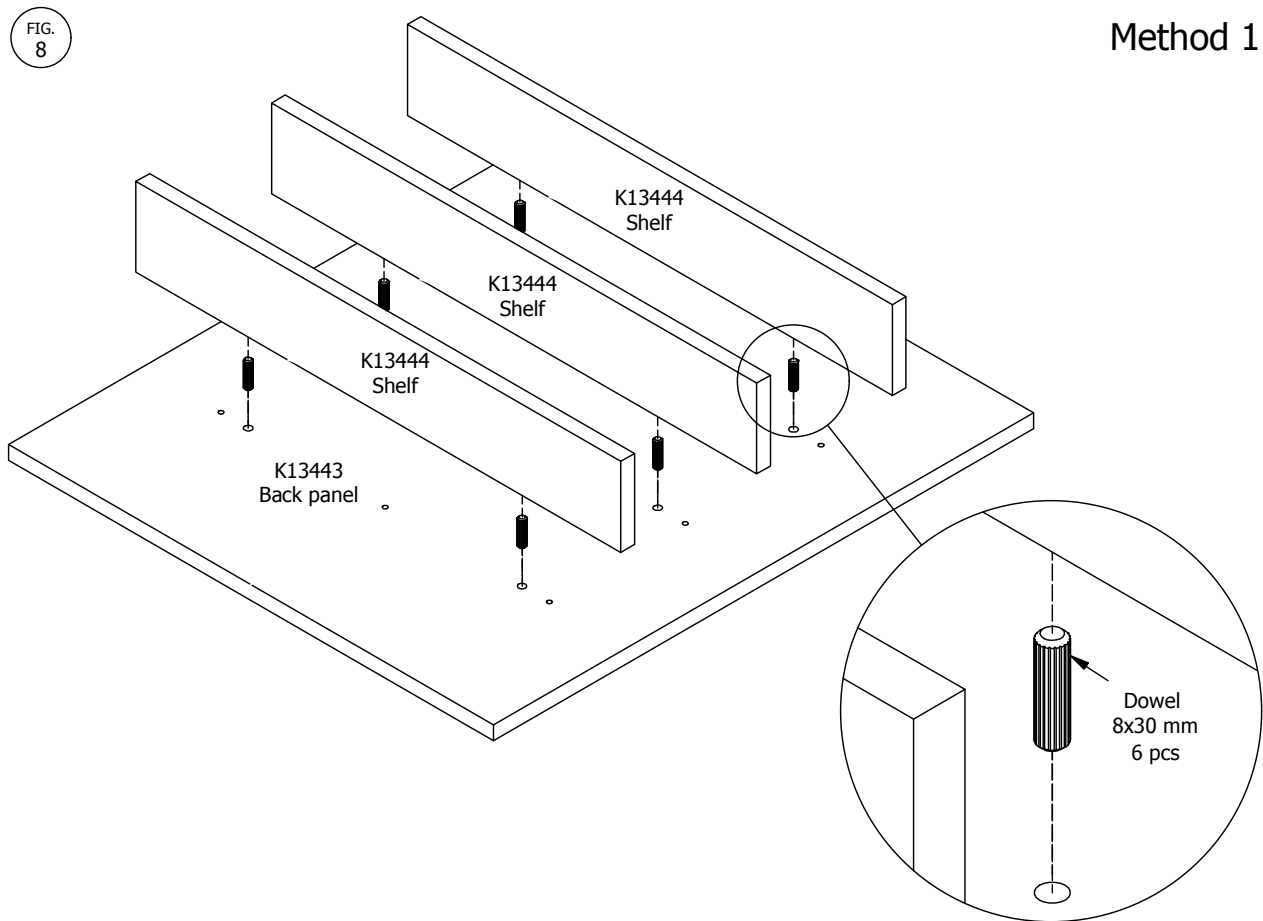


FIG. 9

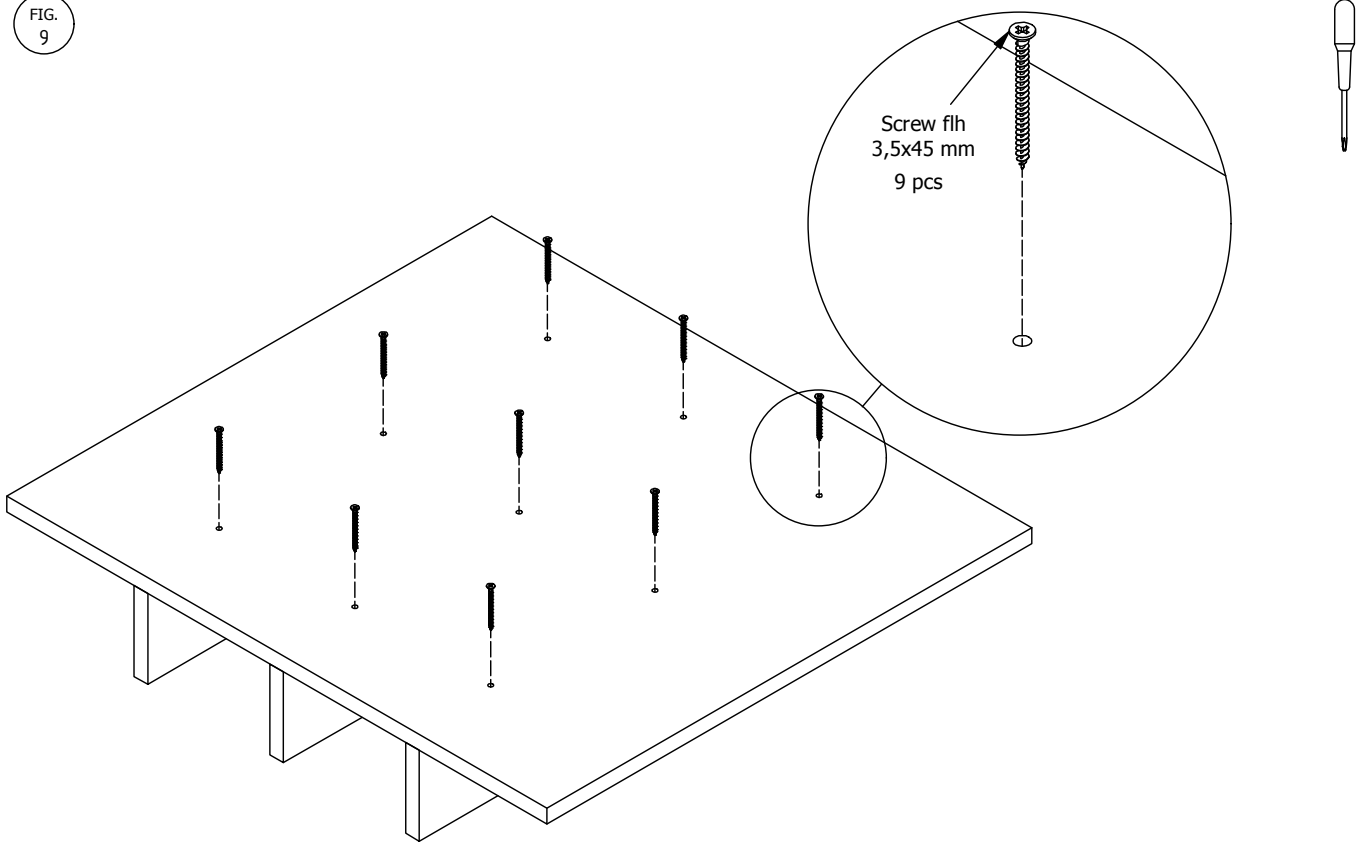


FIG. 10

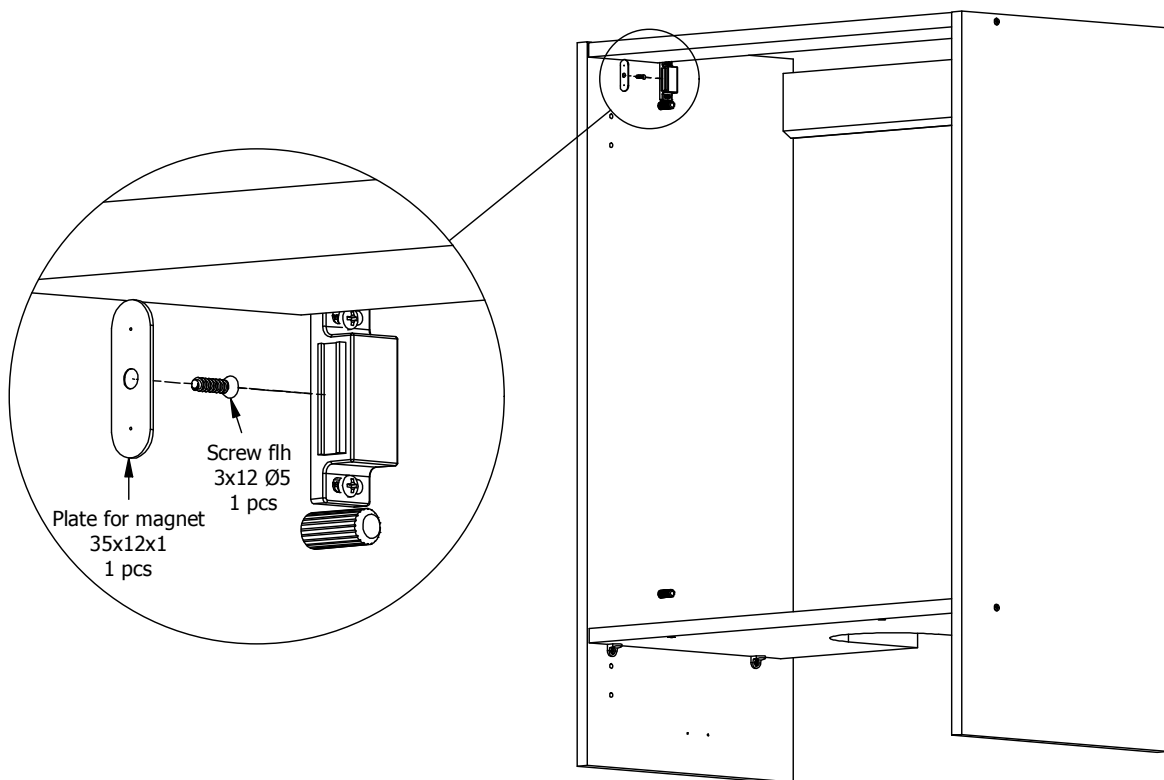


FIG. 11

Push, and the screw will make a mark on the backside, to use to mount the plate for magnet

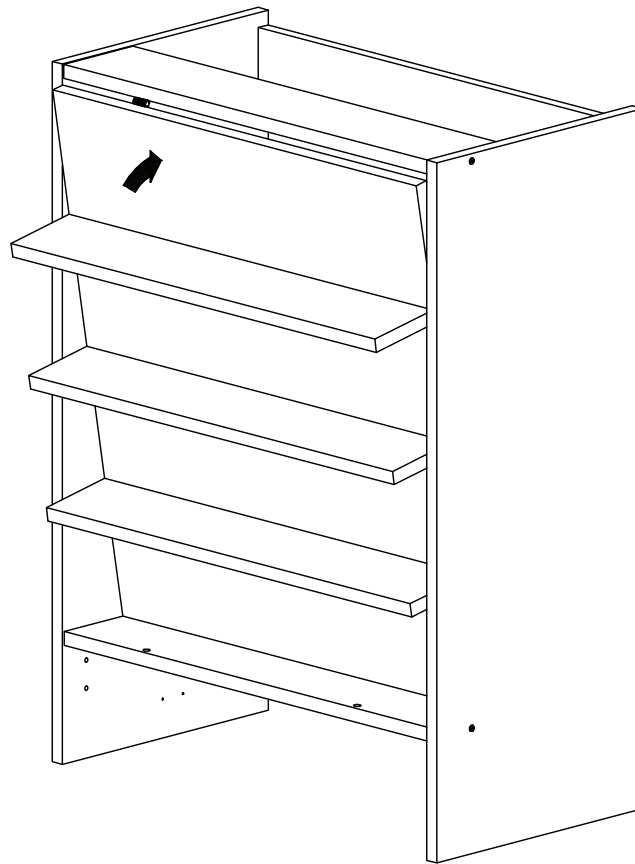


FIG. 12

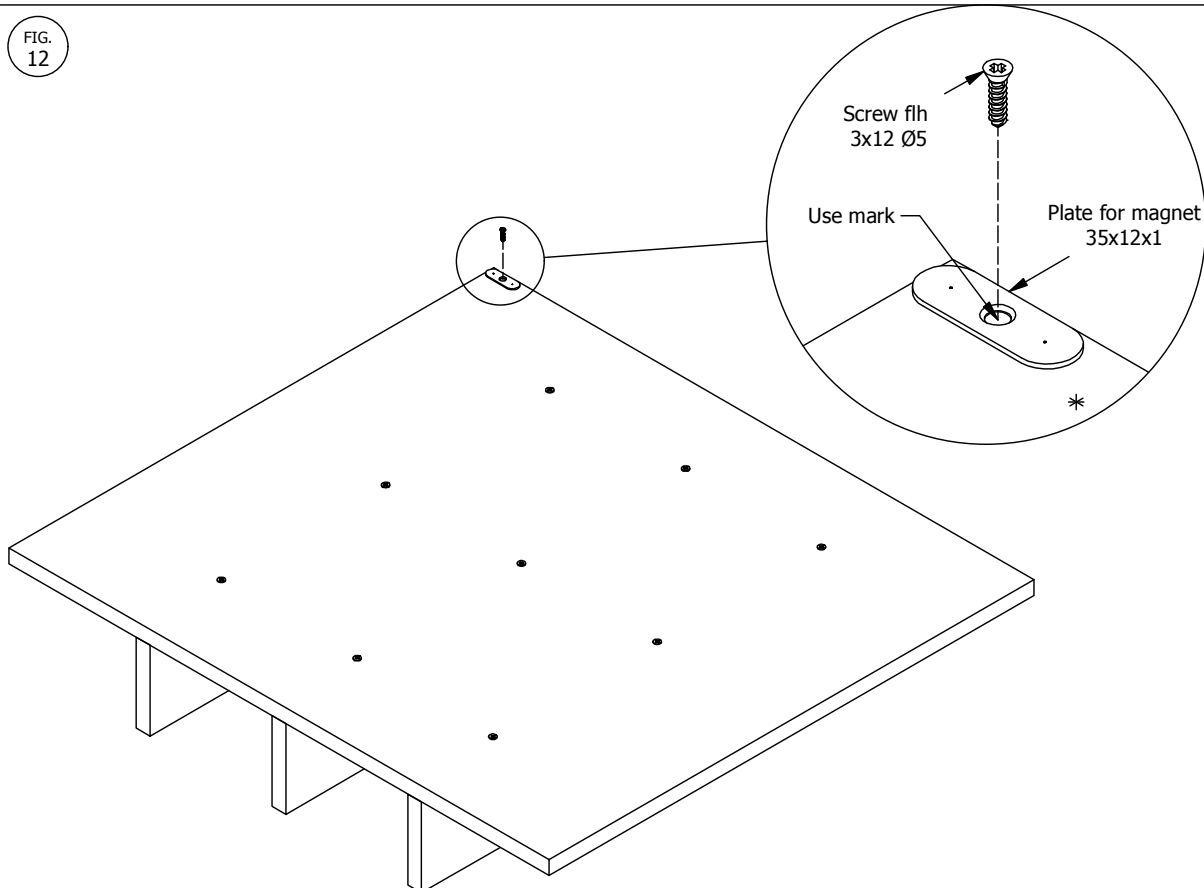


FIG. 13

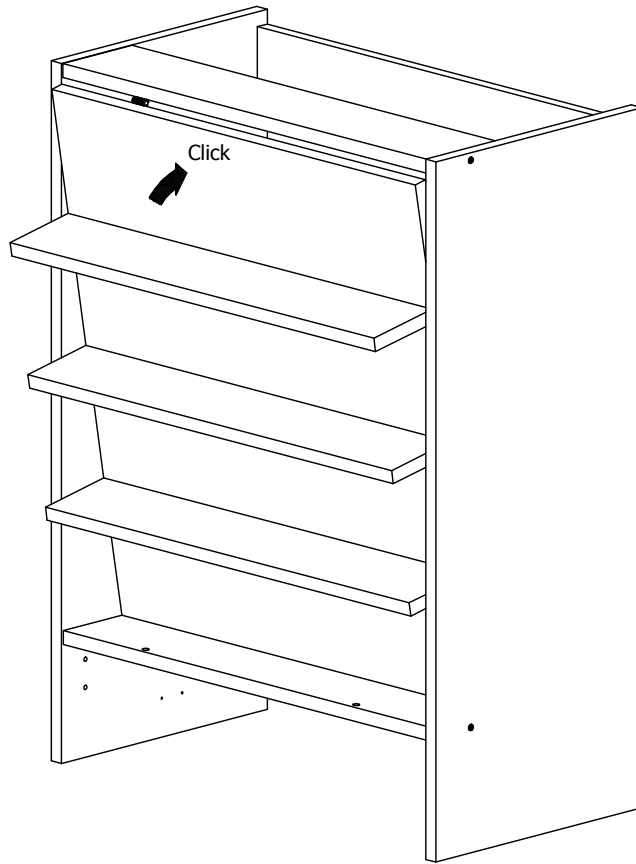


Fig 14

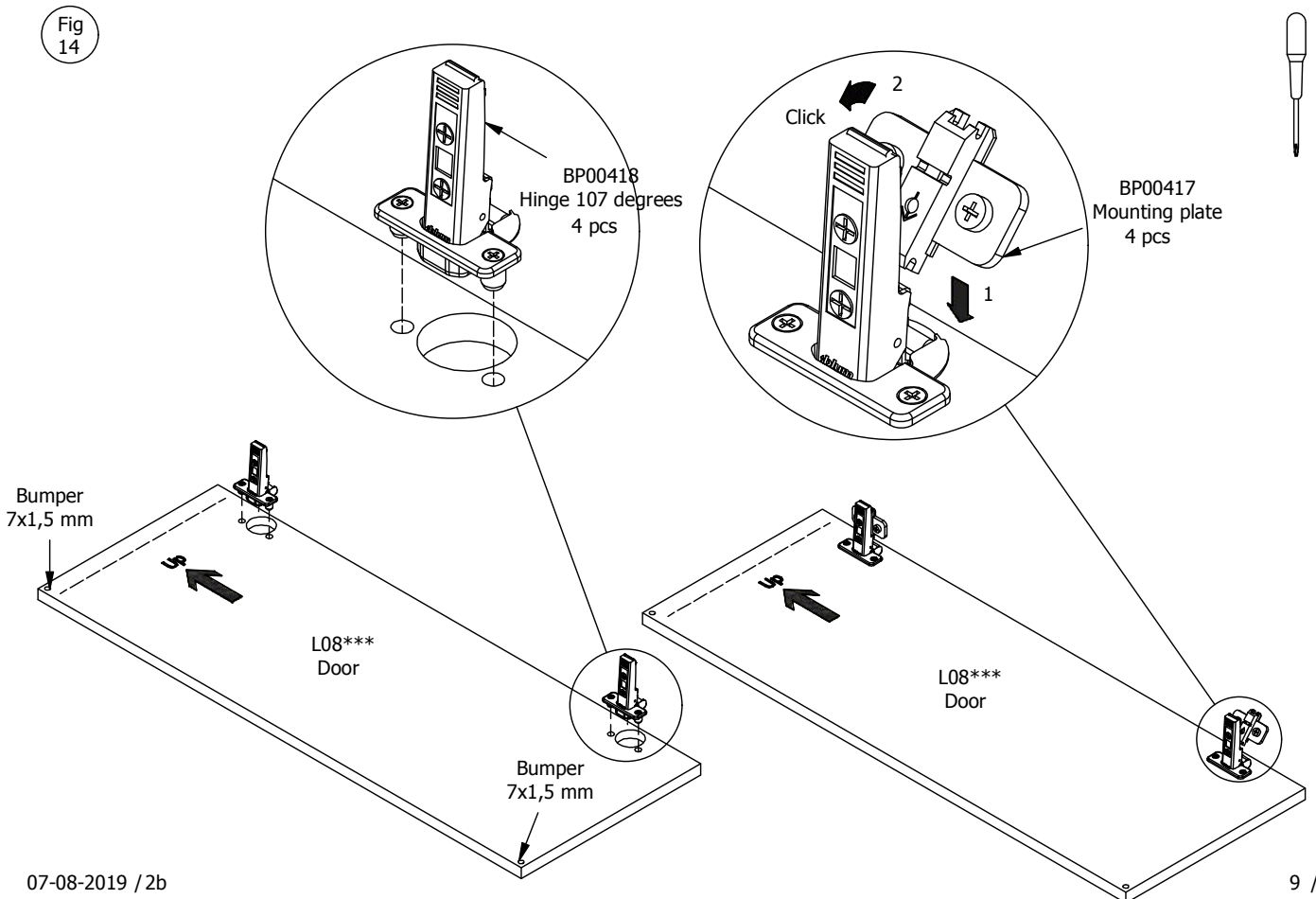


Fig 15

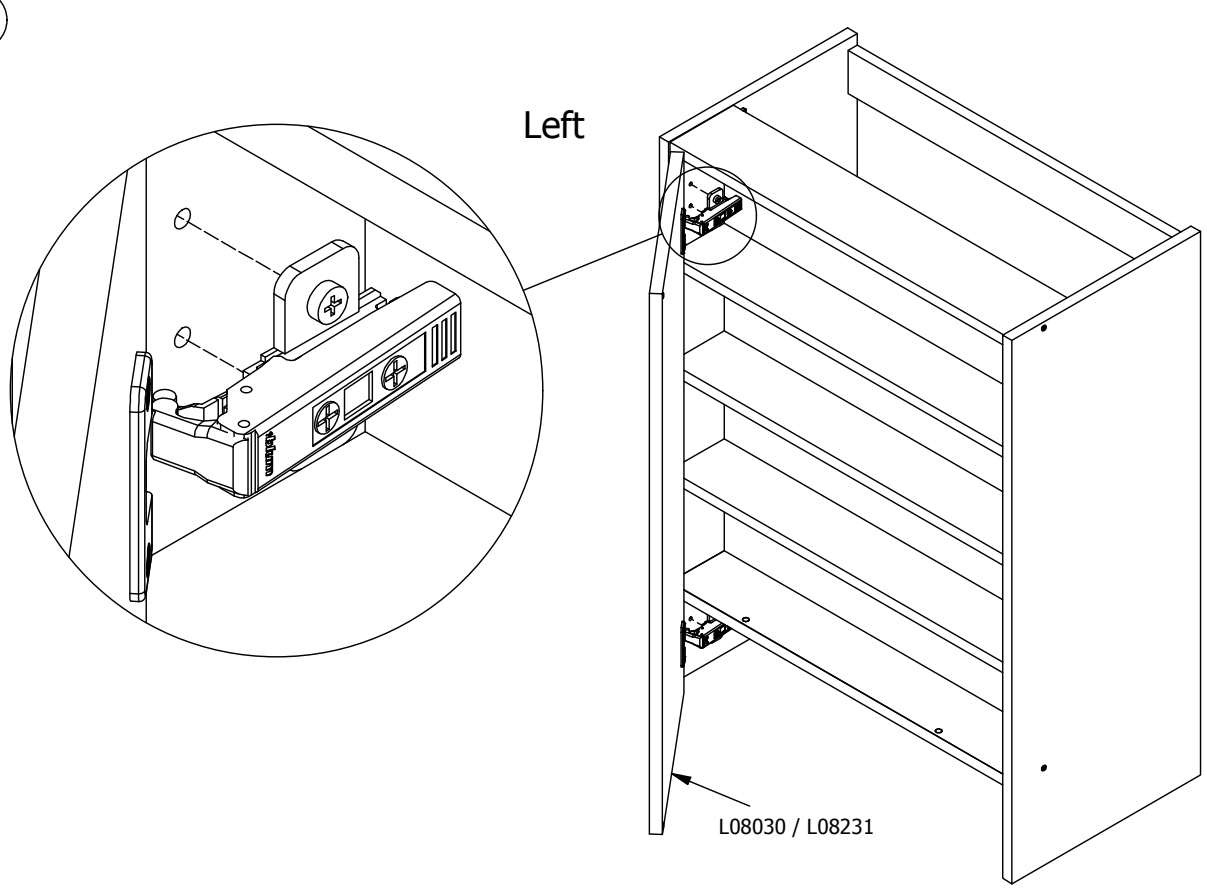


Fig 16

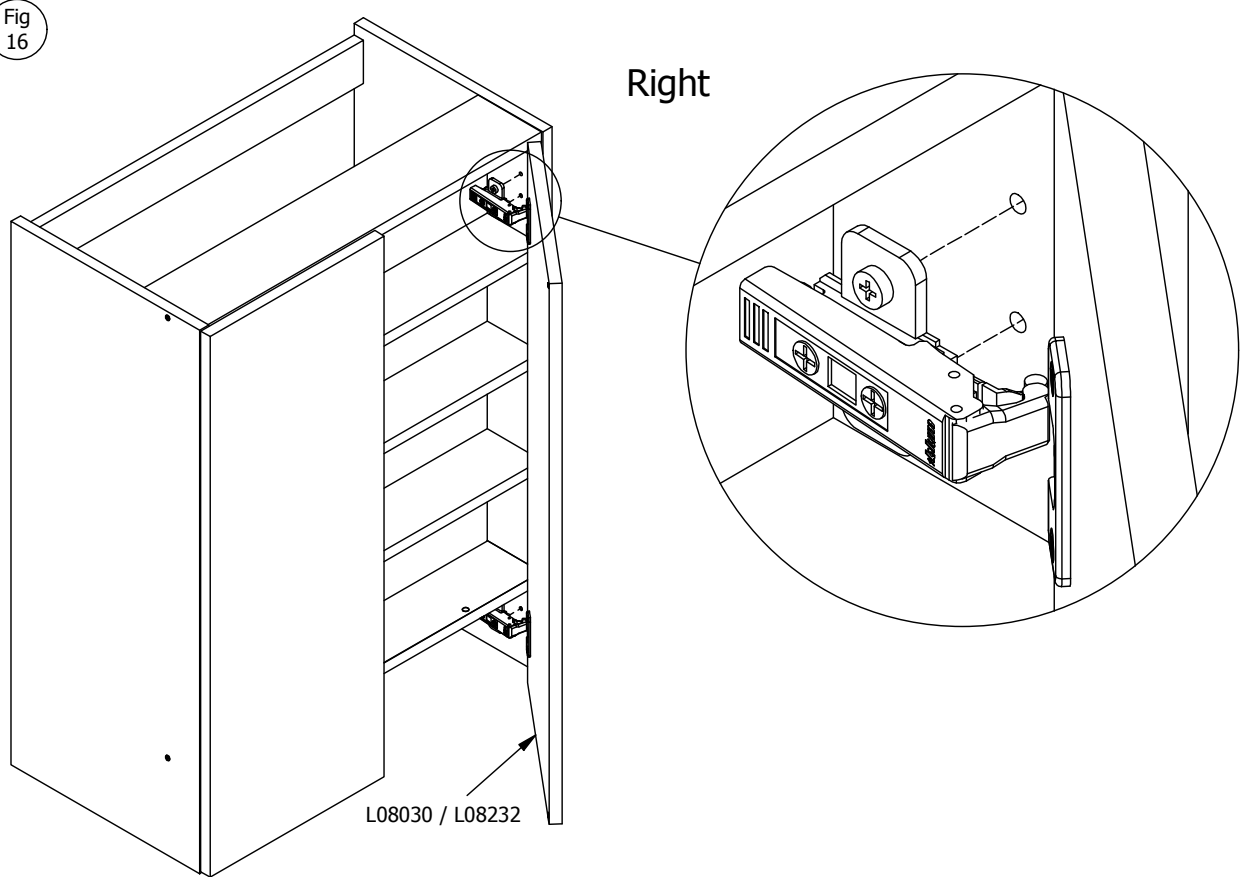


Fig 17

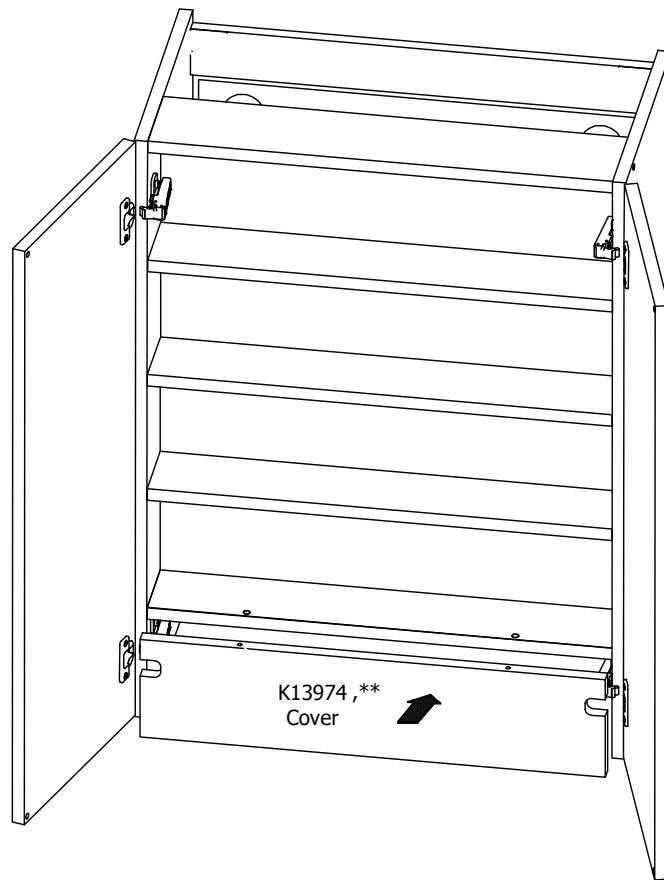
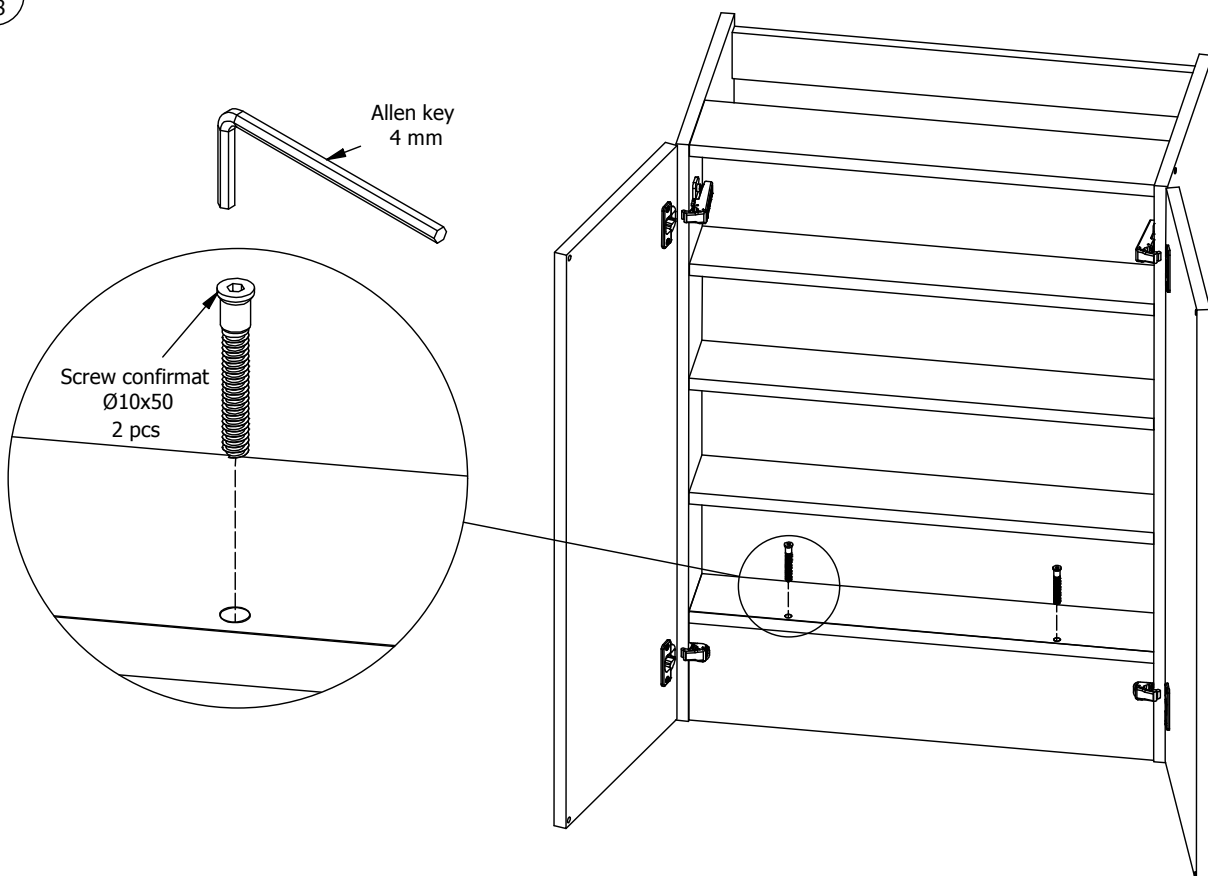


Fig 18



Adjustment

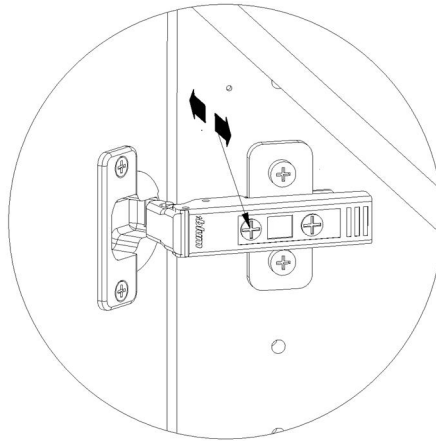
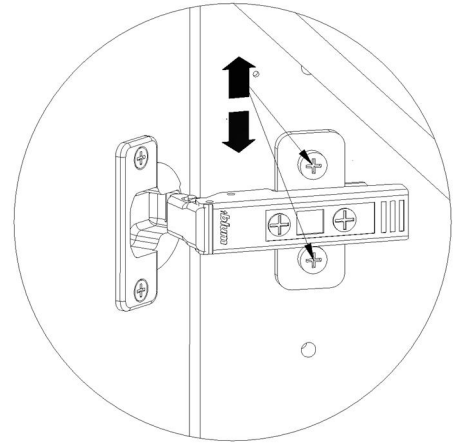
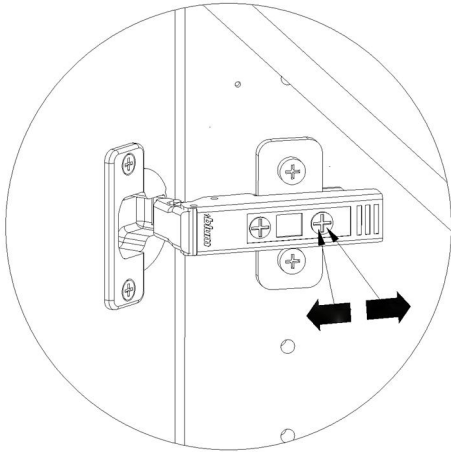
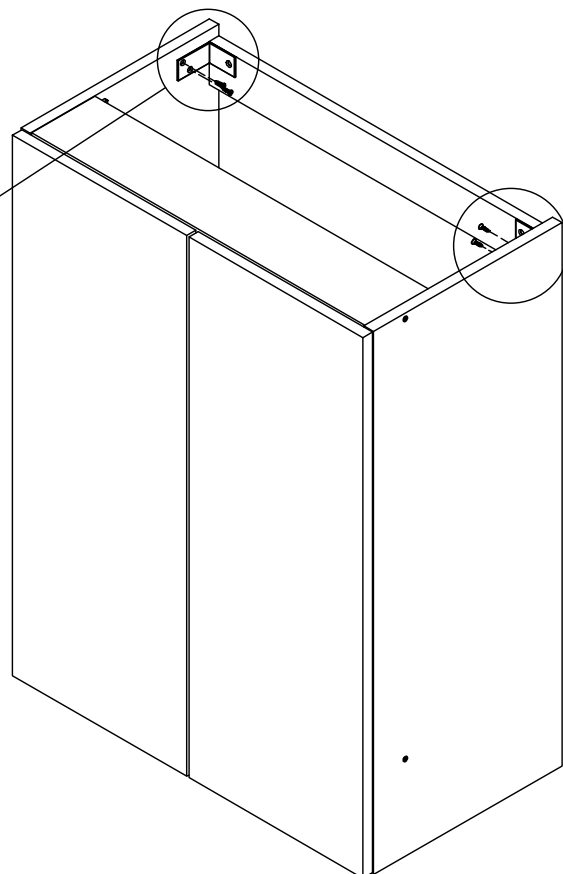
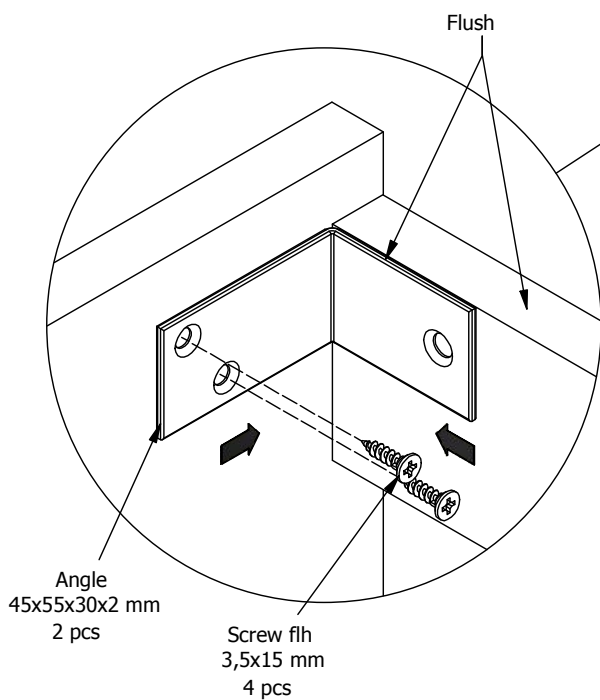


Fig 19



Installation, please read instruction BP11400

