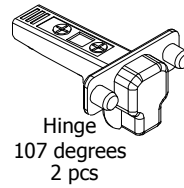
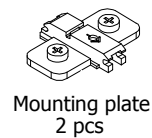
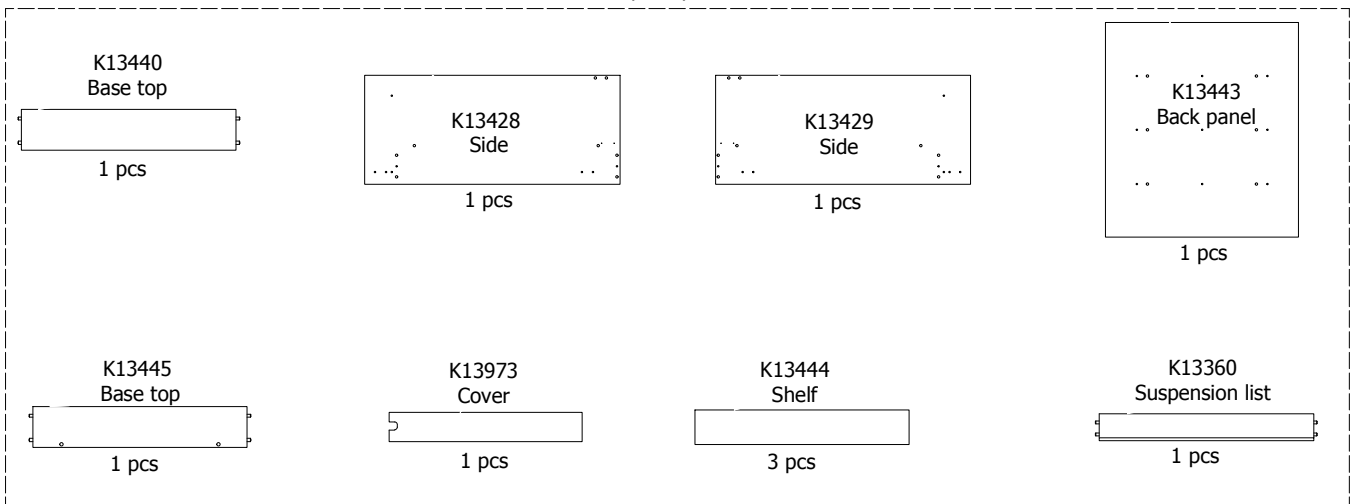


**kvik**

**C675**

DCS80,\*\*\*,\*\*\*



BP00029

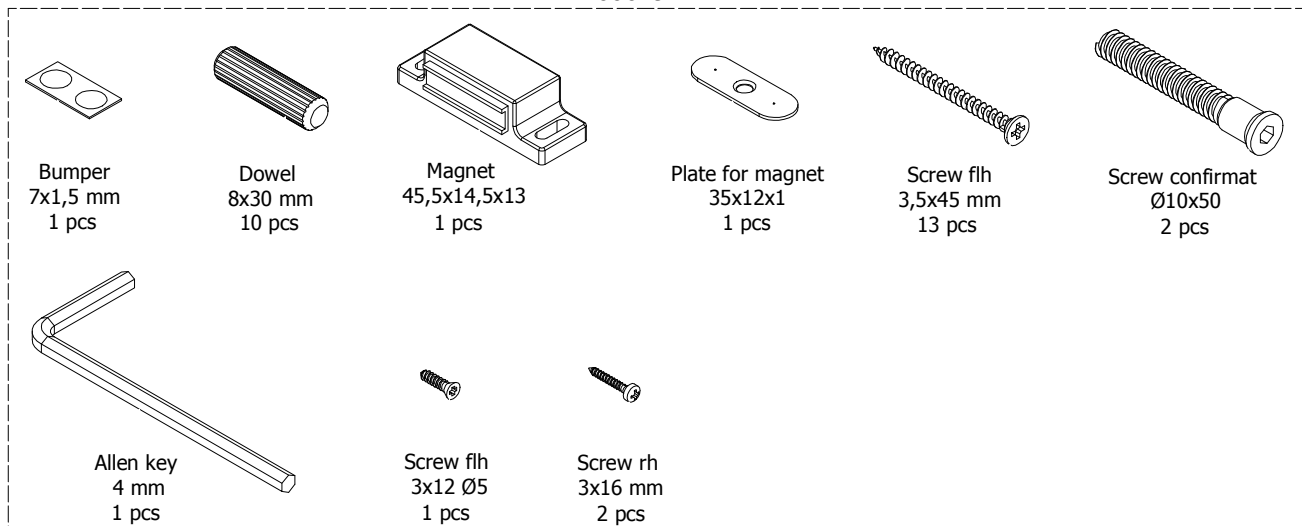


FIG. 1

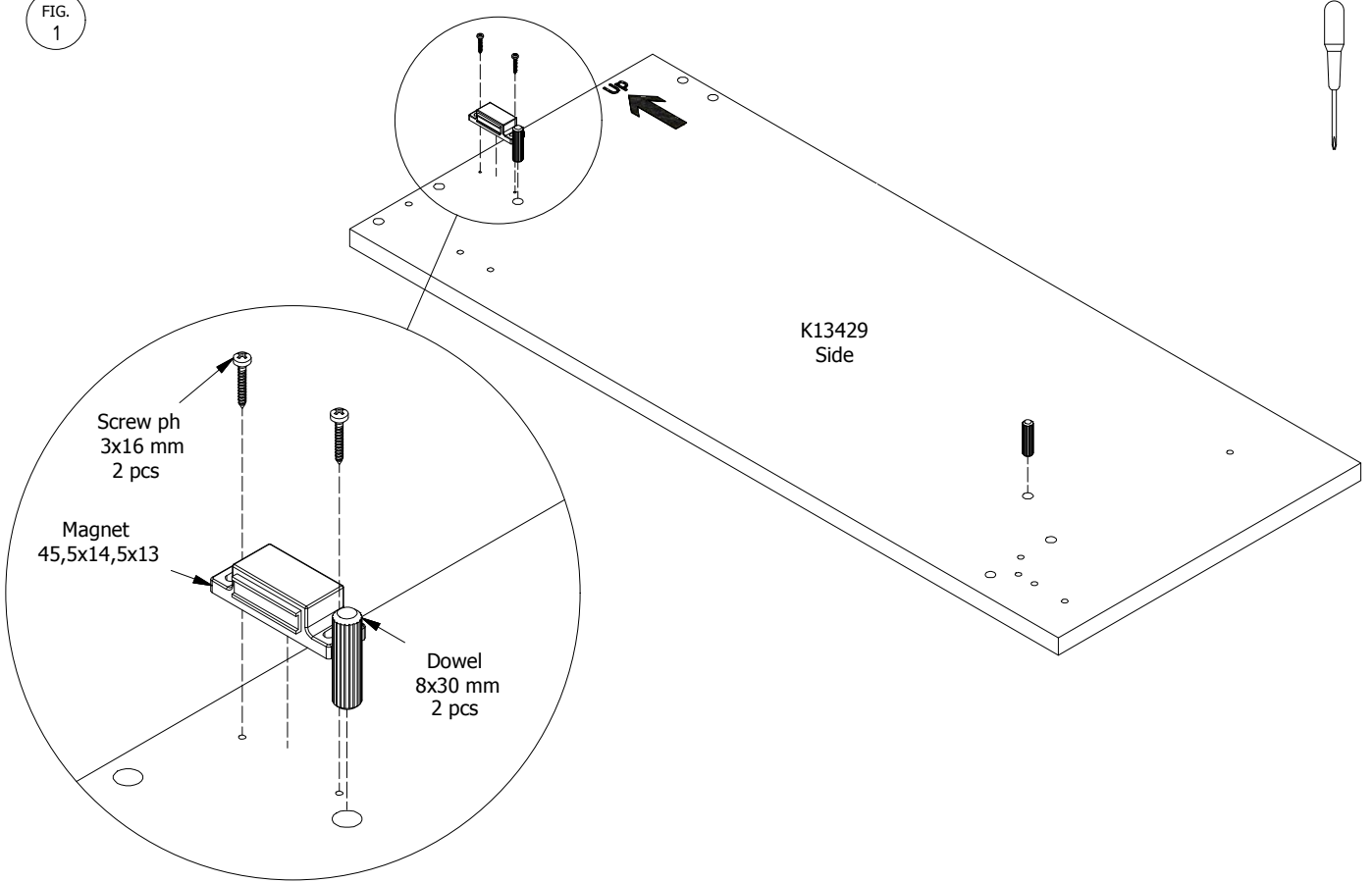


FIG. 2

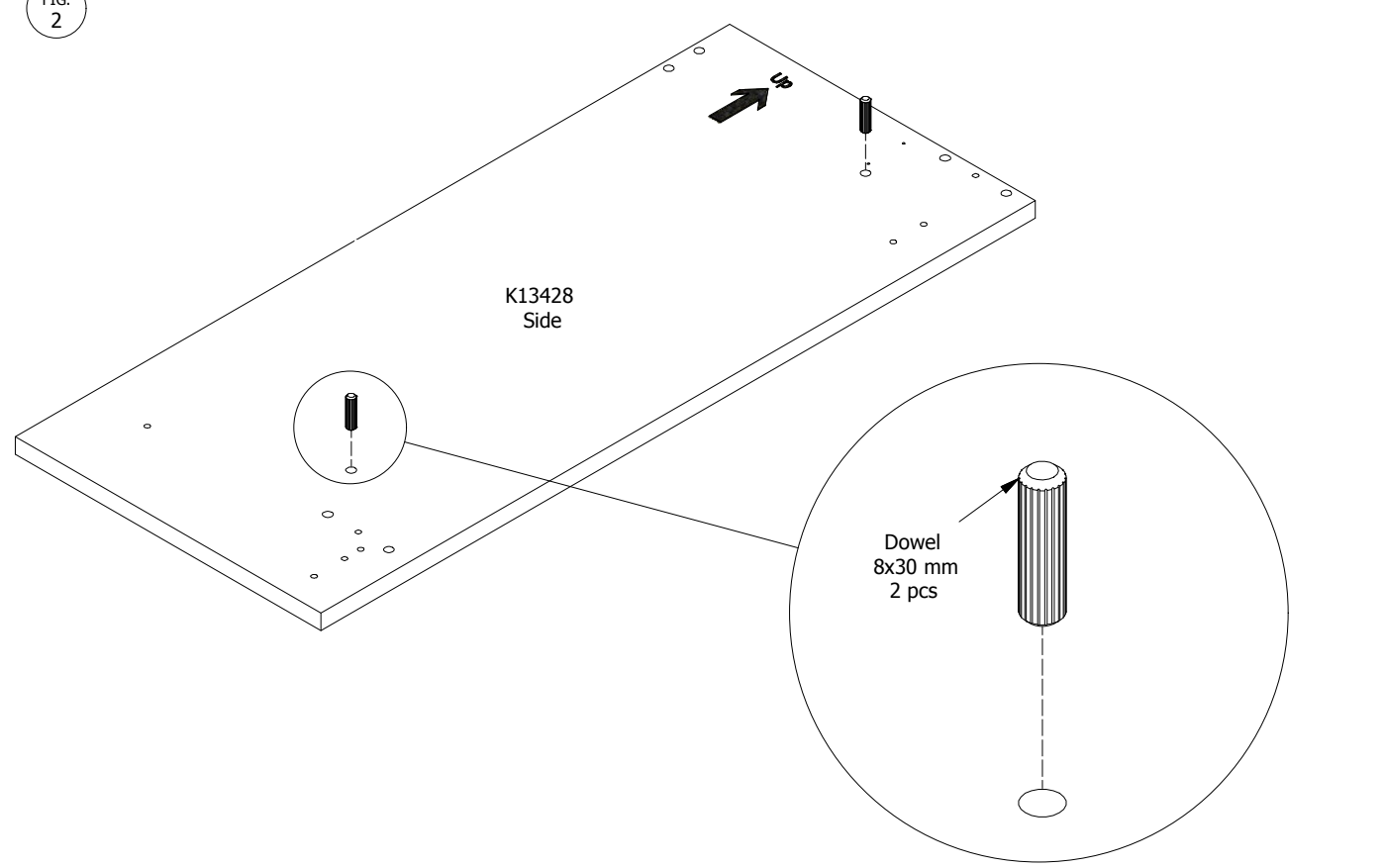


FIG. 3

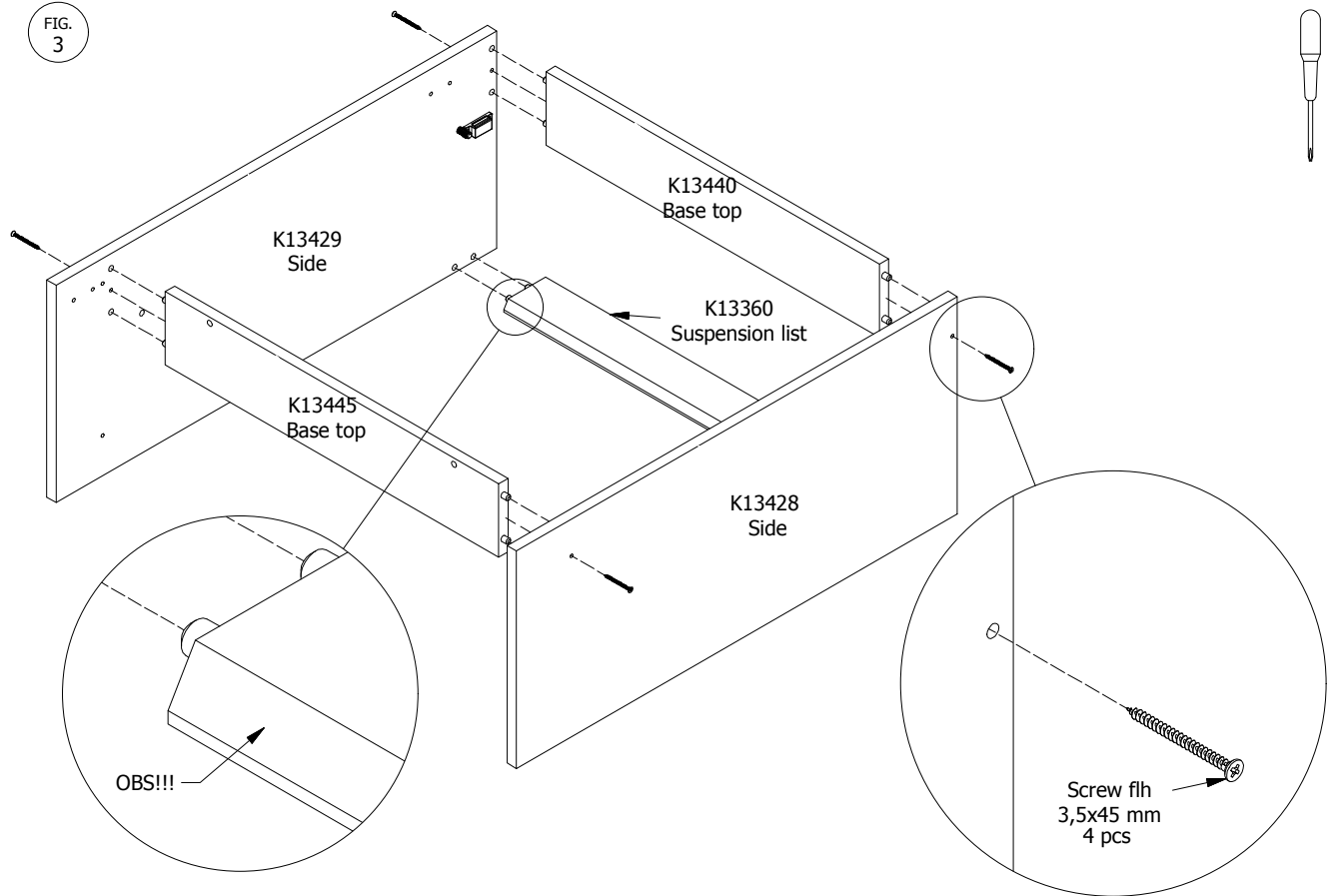


FIG. 4

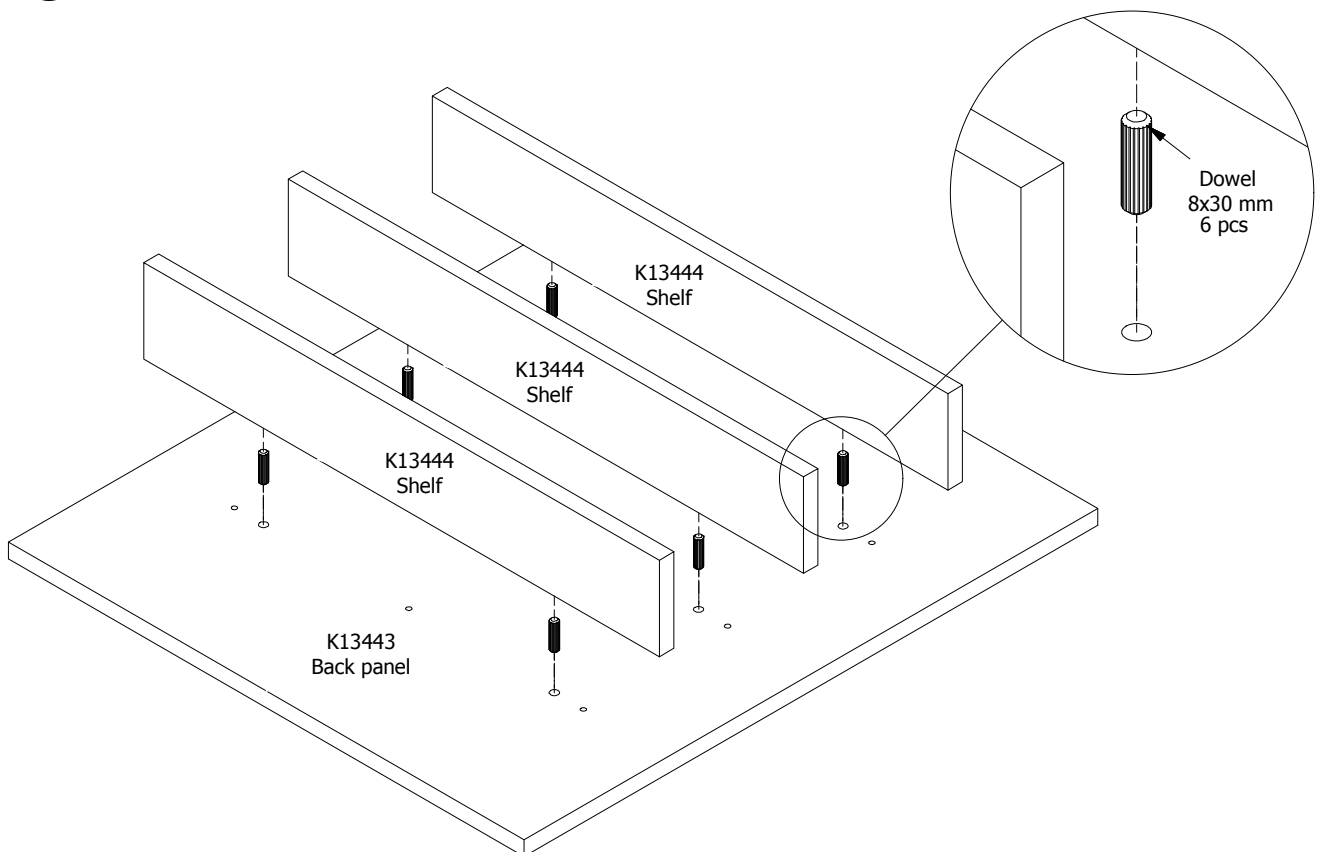


FIG. 5

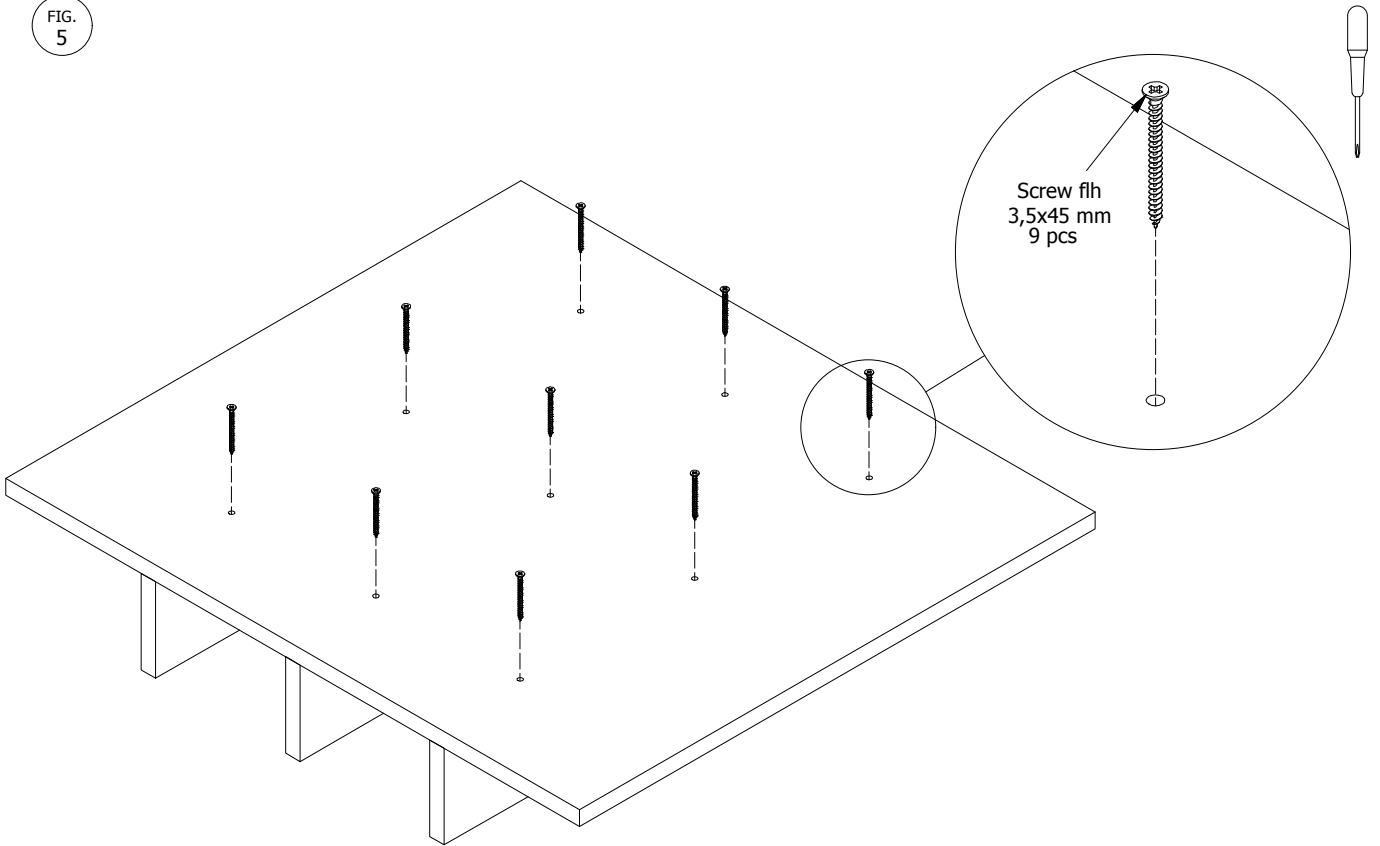


FIG. 6

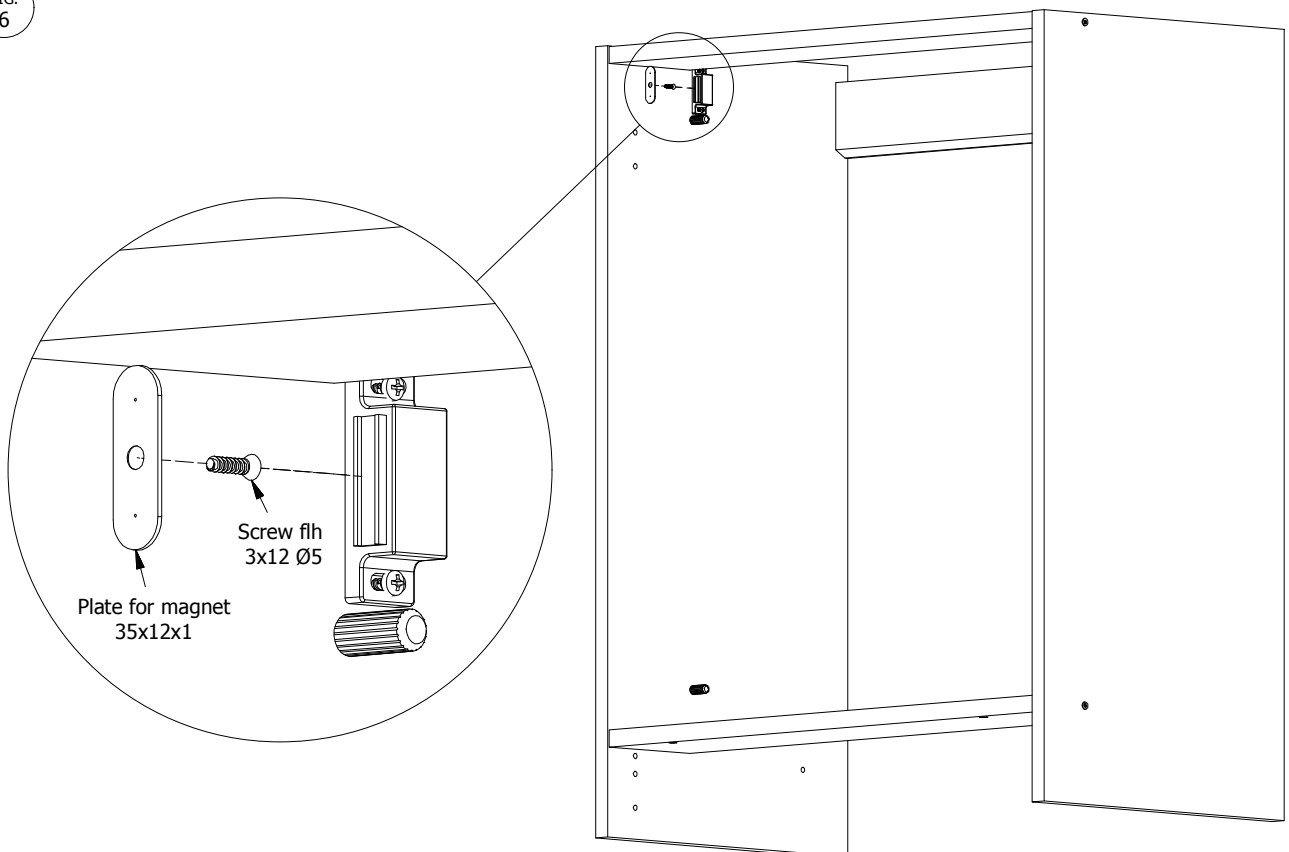


FIG. 7

Push, and that will make a mark on the backside

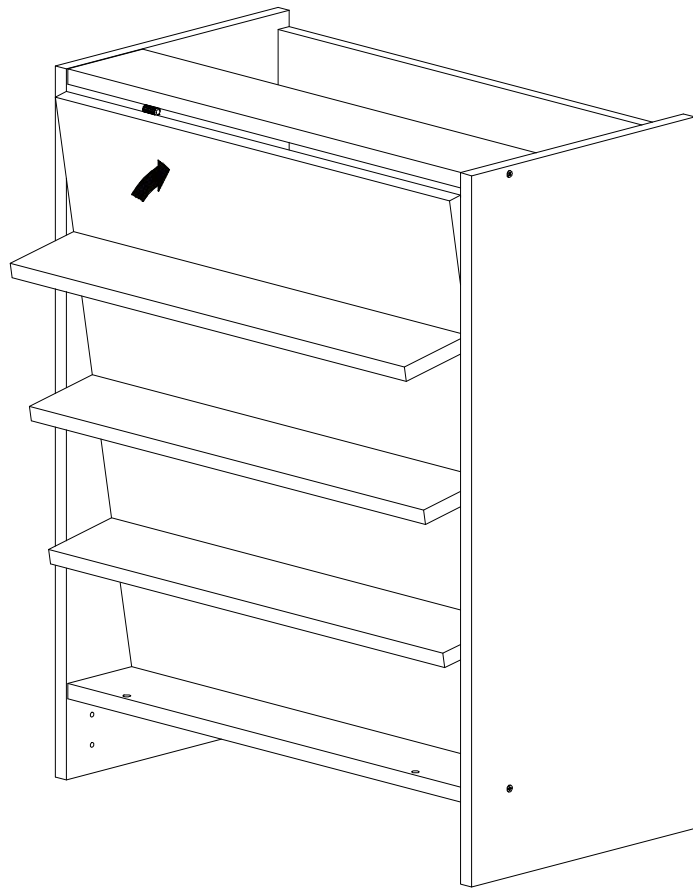


FIG. 8

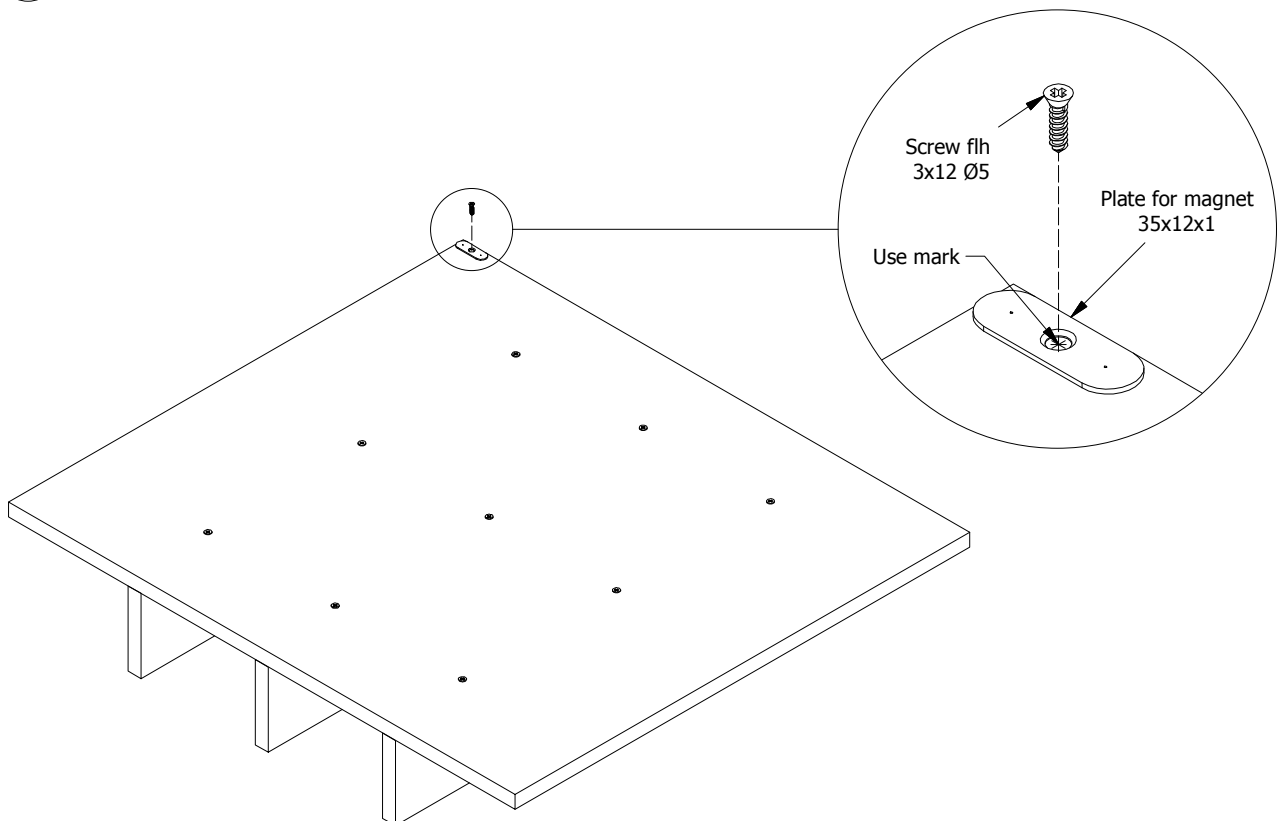


FIG. 9

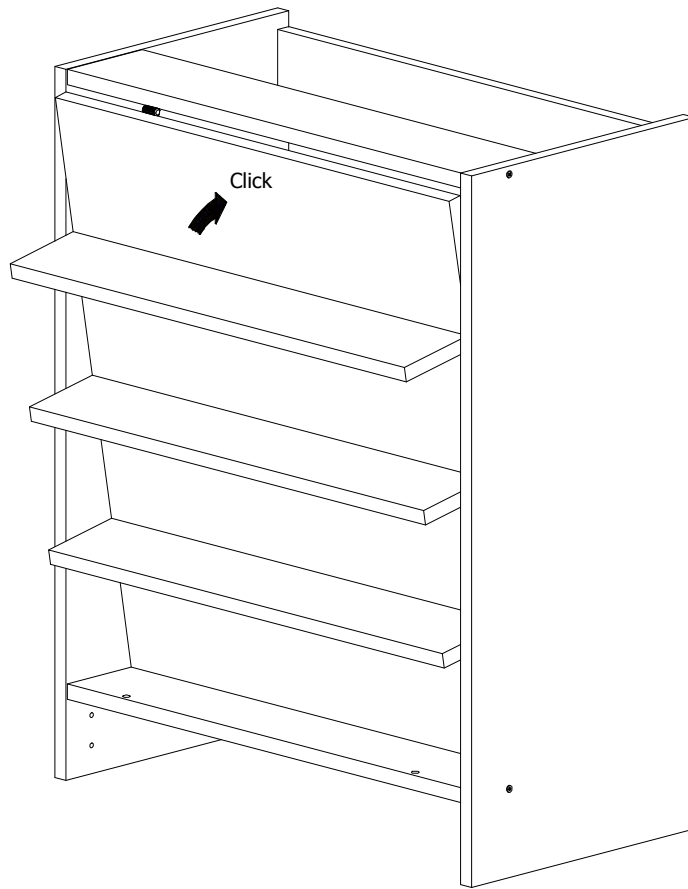


FIG. 10

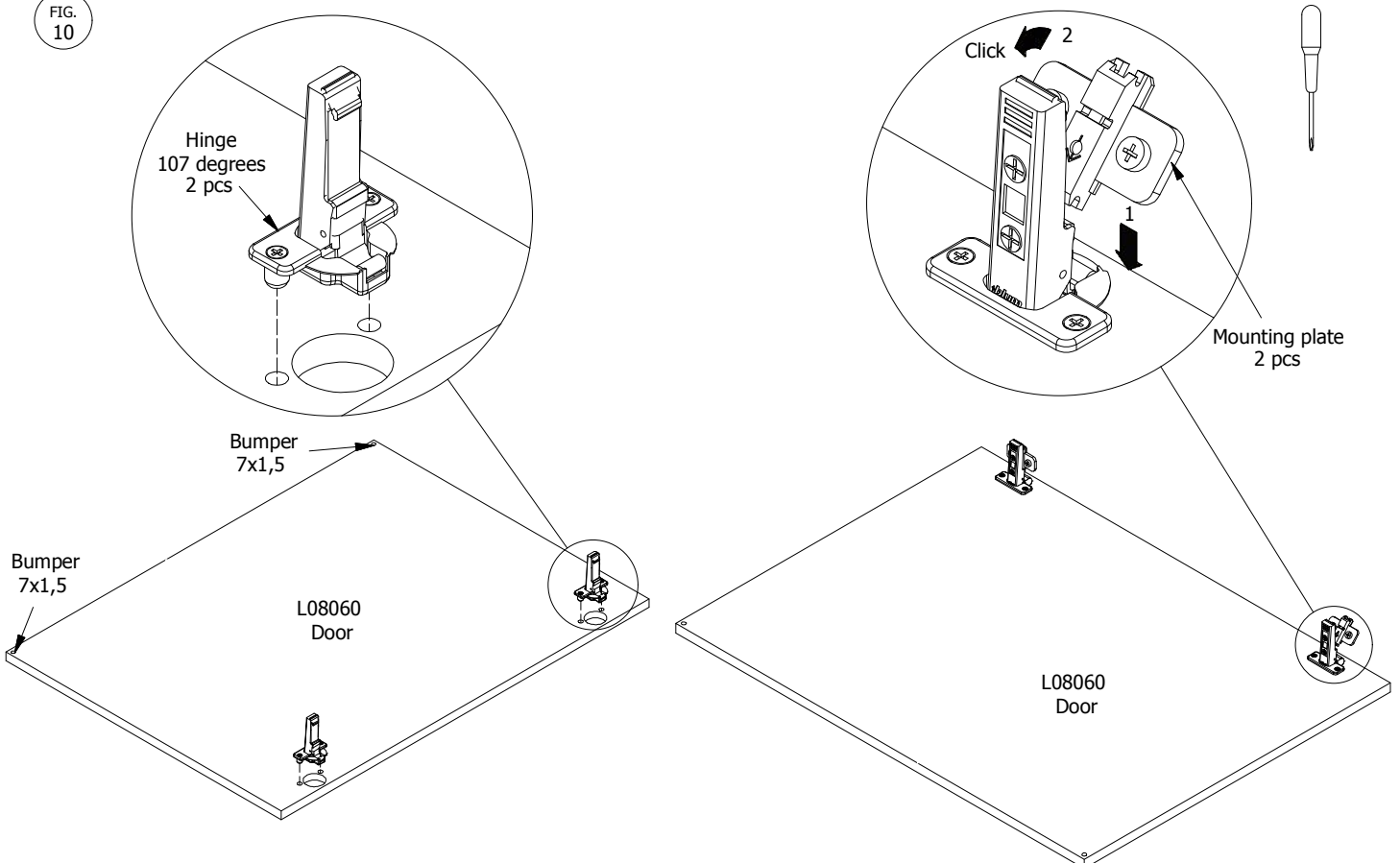


FIG. 11

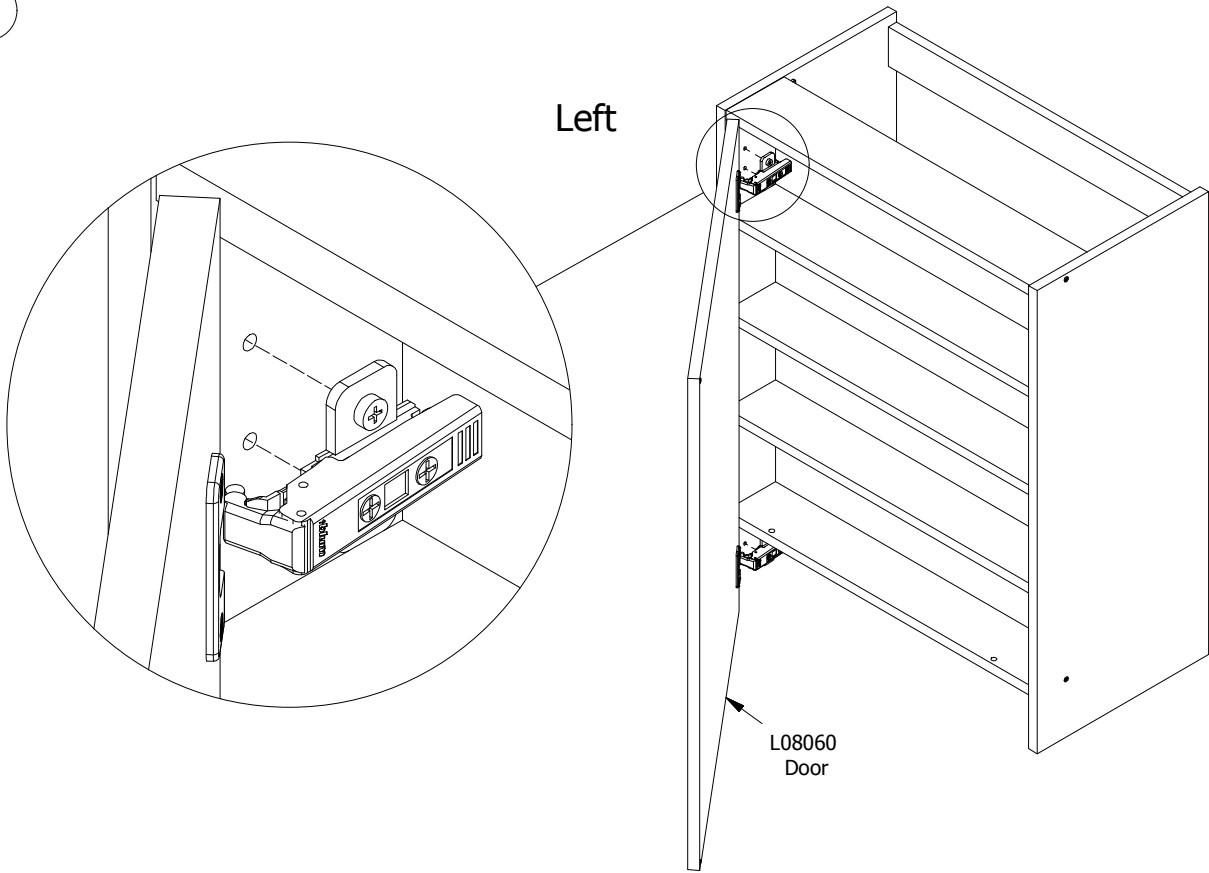


FIG. 12

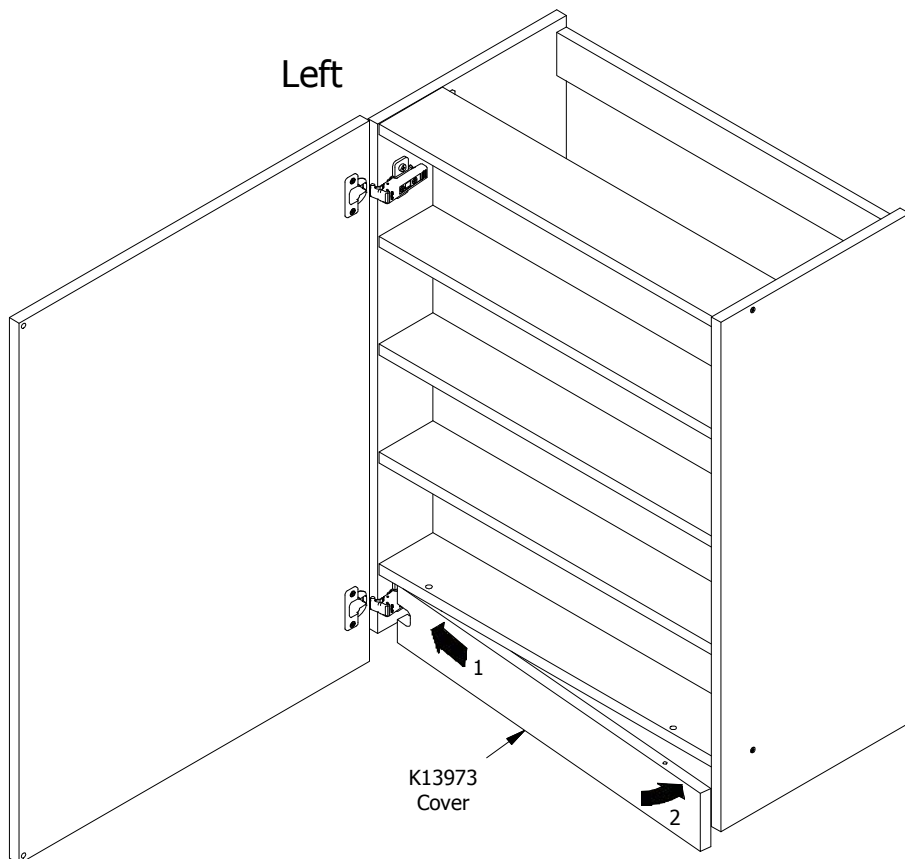


FIG. 13

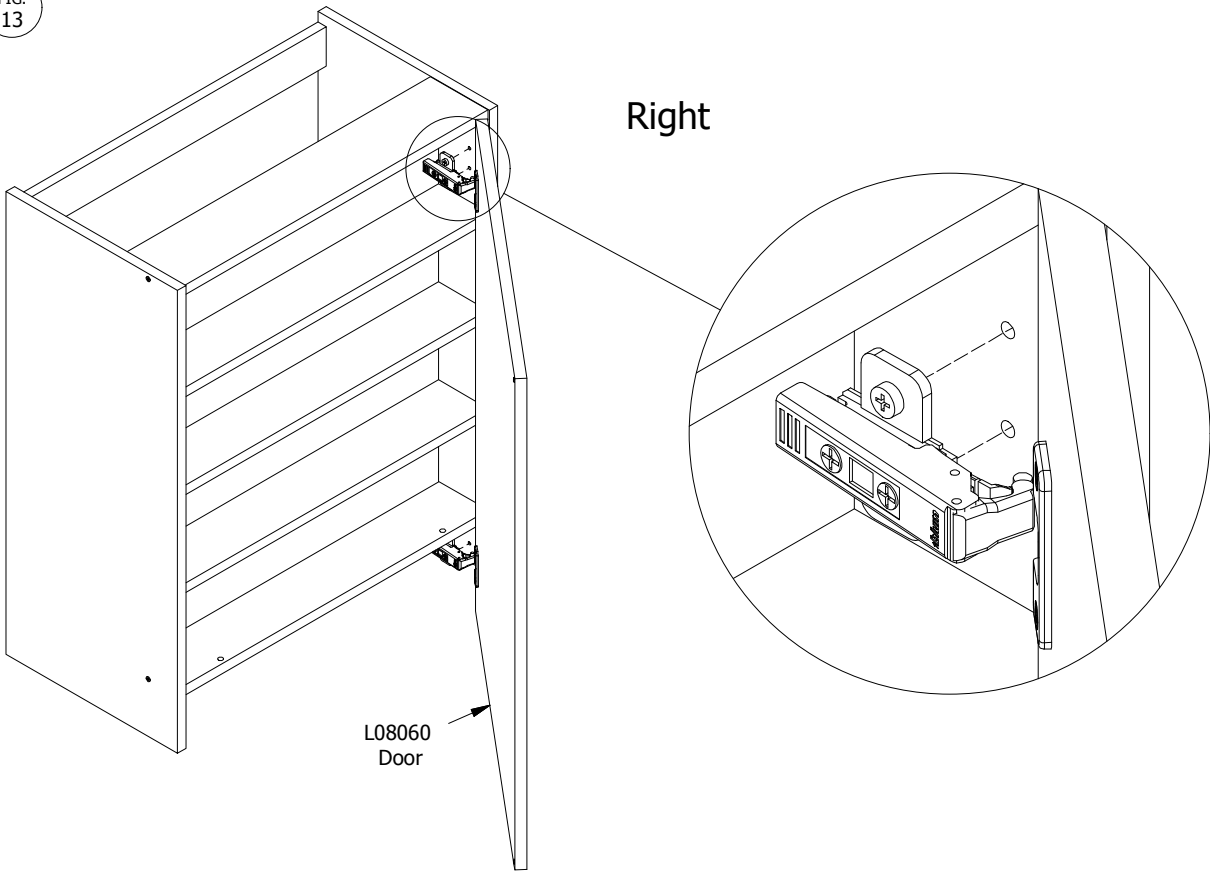


Fig 14

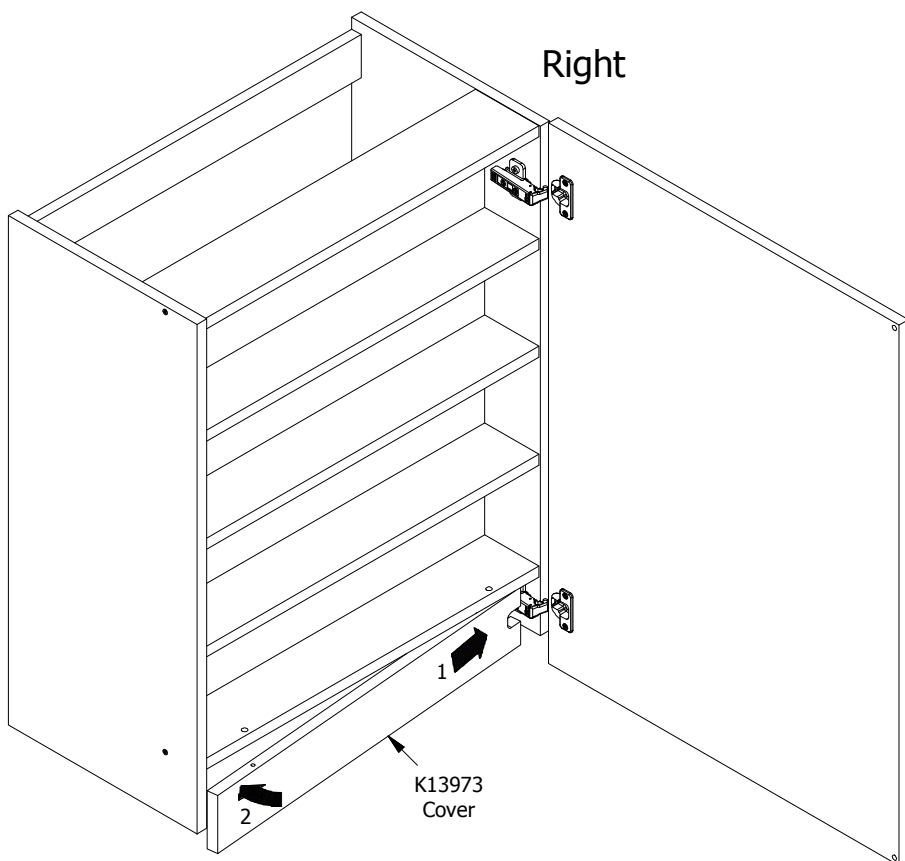
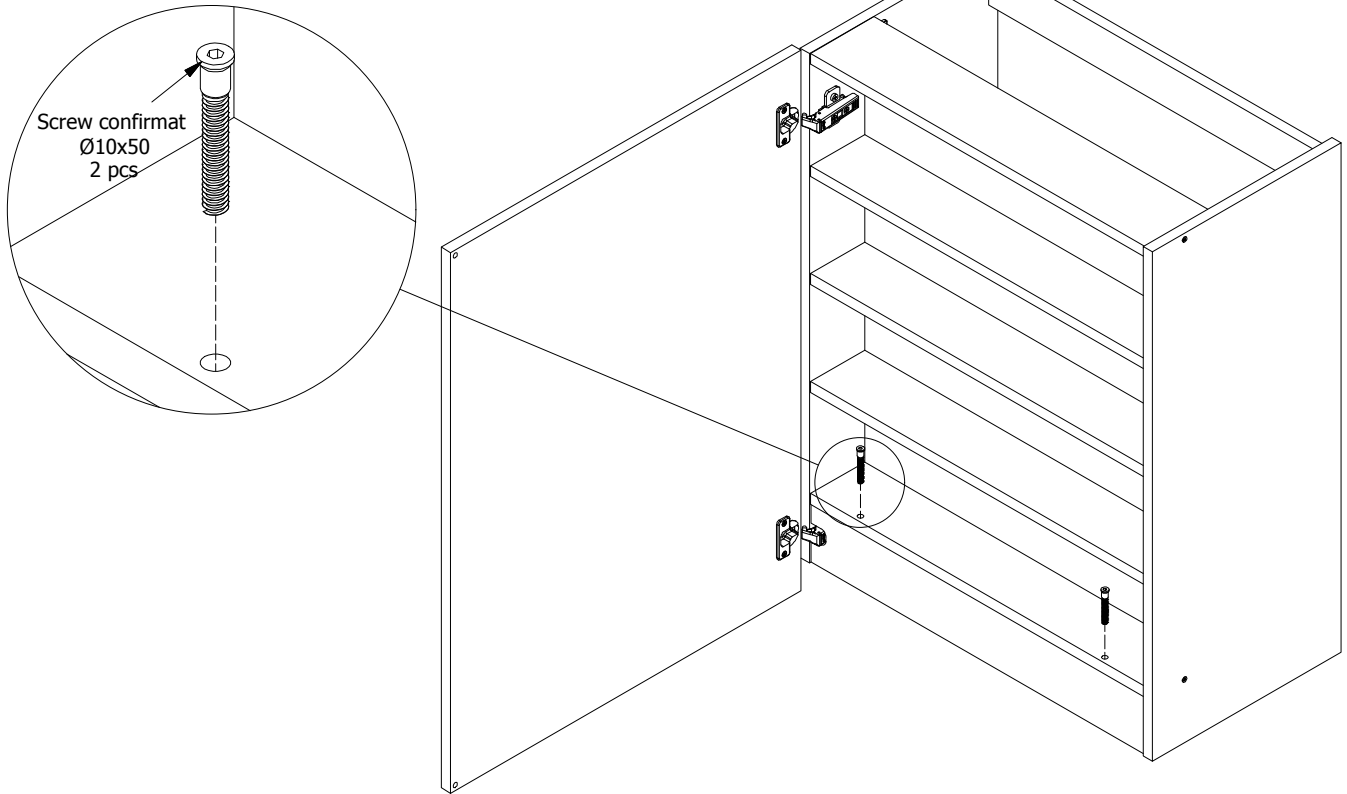




Fig 15



### Adjustment

